

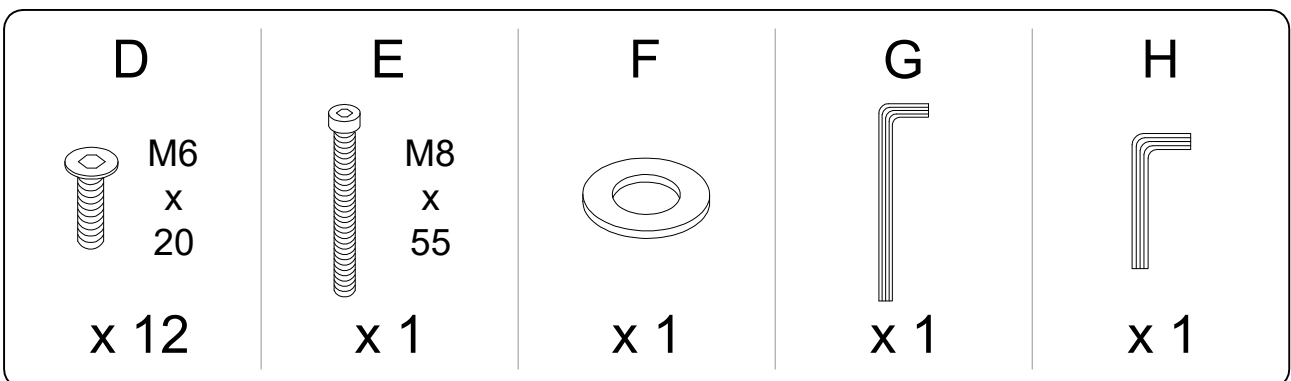
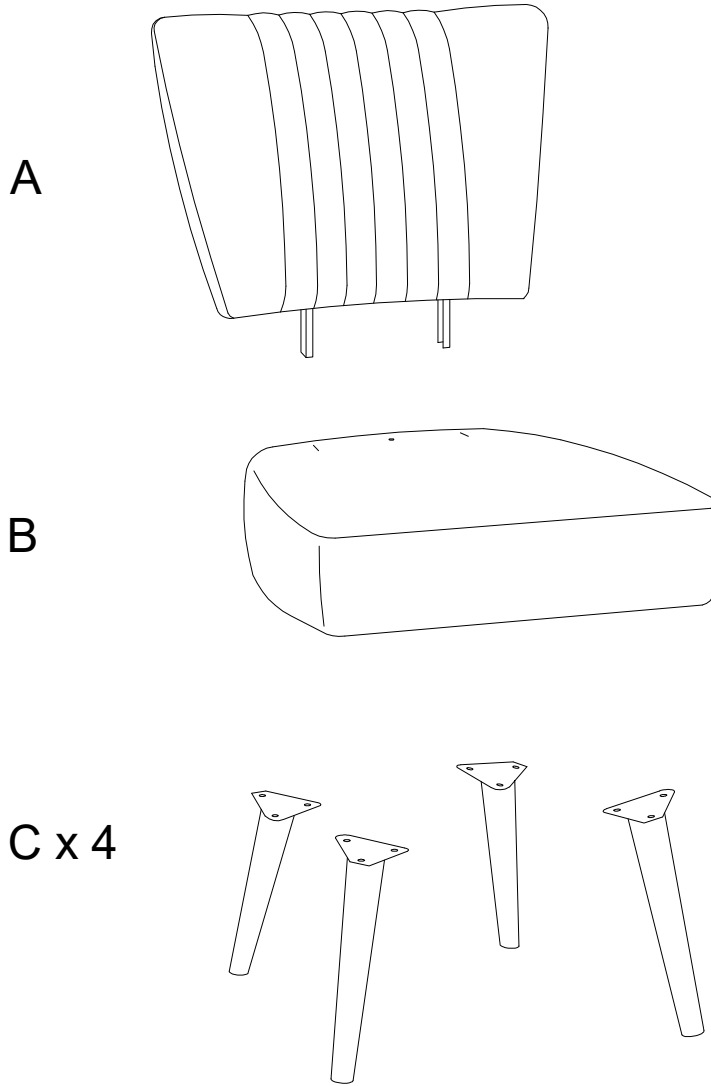
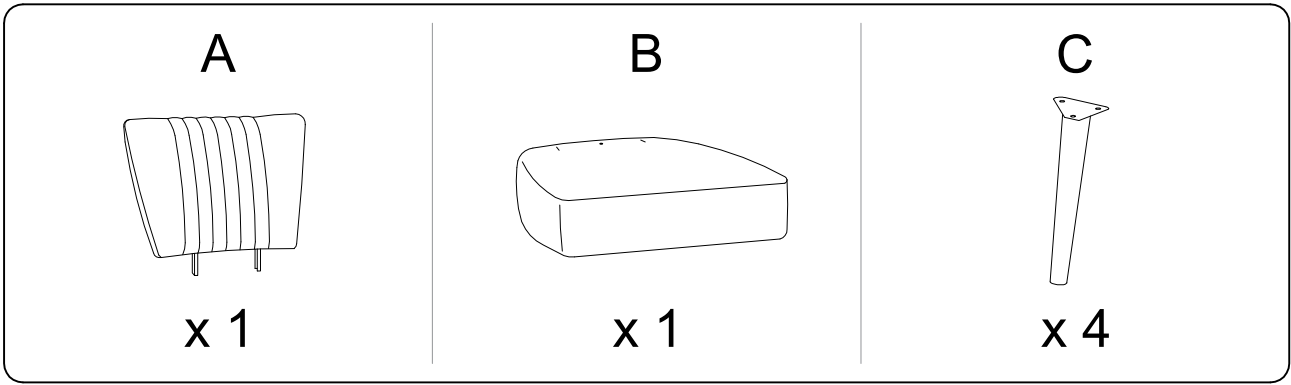
Assembly instructions for the chair, including warnings, time, and person requirements.

Warning 1: Do not use a power drill. Use the provided L-shaped corner brace.

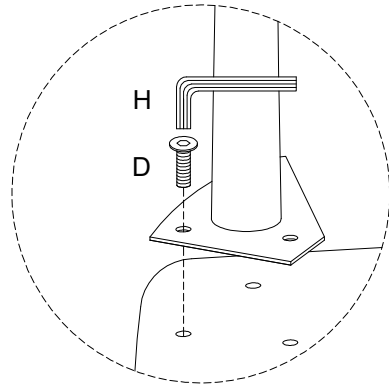
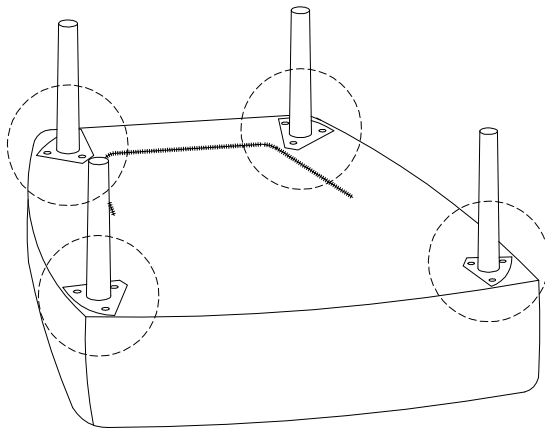
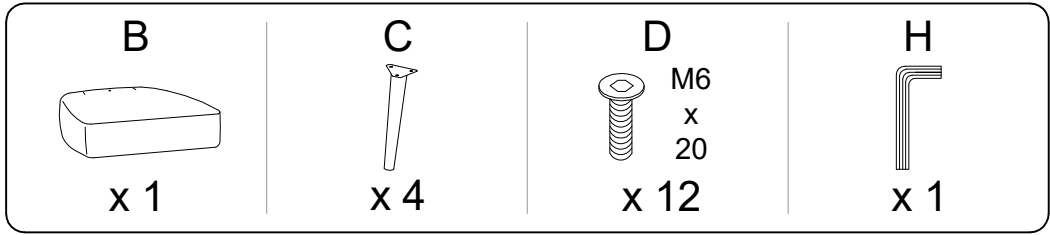
Warning 2: Do not use a power saw. Use the provided rectangular block.

Time: 15'

Personnel: 1



1



2

