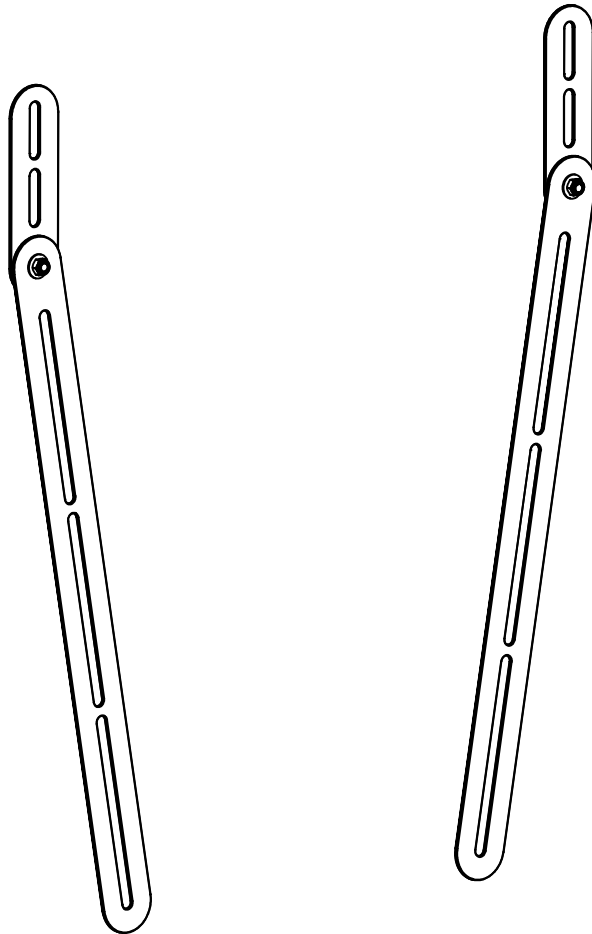


# ASSEMBLY INSTRUCTION

---



MODEL: XD 5411

---

- Please read this instruction carefully before assembly.
- Fits for most of Soundbar.
- Weight Capacity : 10KG (22LBS).

## Safety Warning:

Never let children climb on product or play with product.

Do not sit or stand on product.

Do not fasten a TV that is heavier than the recommended load rating to the mount.

Using suitable on concrete wall or wood stud wall.

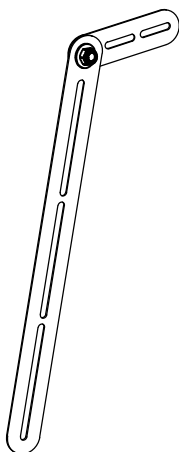
Improper installation may cause property damage and/or personal injury, so the installation must be done by two qualified contractors. The manufacture is not liable for damage or injury caused by incorrect mounting , assembly or use .

Improper handling can result in cuts and lacerations .

Pictures for reference only , subject to our available products .



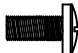


Keep this instruction for future reference .





## ● Part list:



A-Bracket  
2pcs

## ● Hardware list:

				
a--M4X16 bolt 2pcs	b--M5X16 bolt 2pcs	c--M6X16 bolt 2pcs	d--M8X20 bolt 2pcs	e--M5X30 bolt 2pcs

			
f-M5 Nut 4pcs	g-M5 washer 4pcs	h-M6 washer 2pcs	i-M8 washer 4pcs

1 : Attach Soundbar bracket at the back of TV.

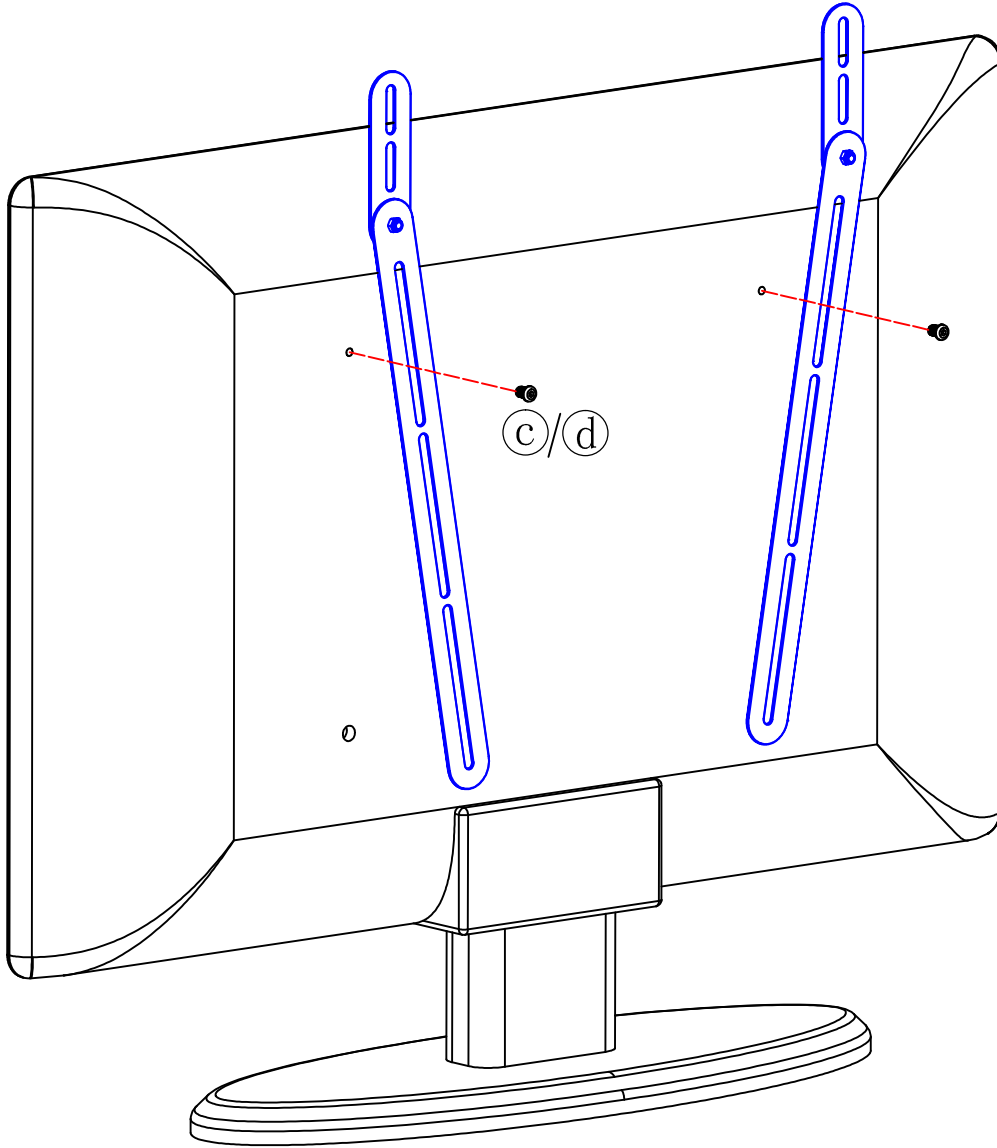


Figure 1

Option 1:

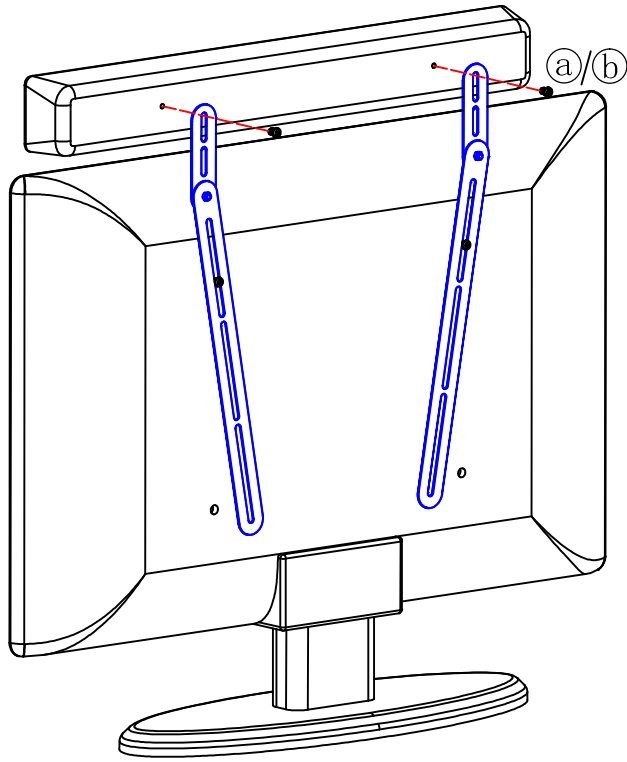


Figure 2

Option 2:

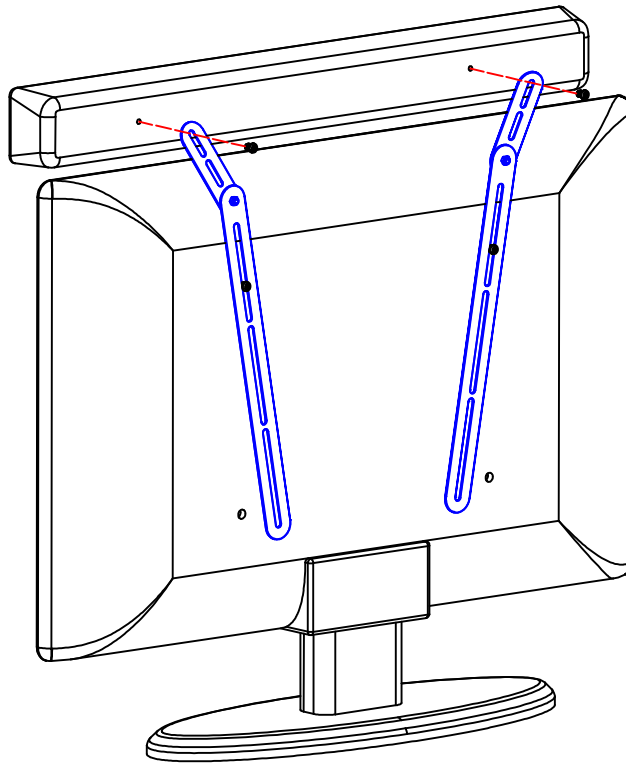


Figure 3

Option 3: If there is bracket with Soundbar itself.

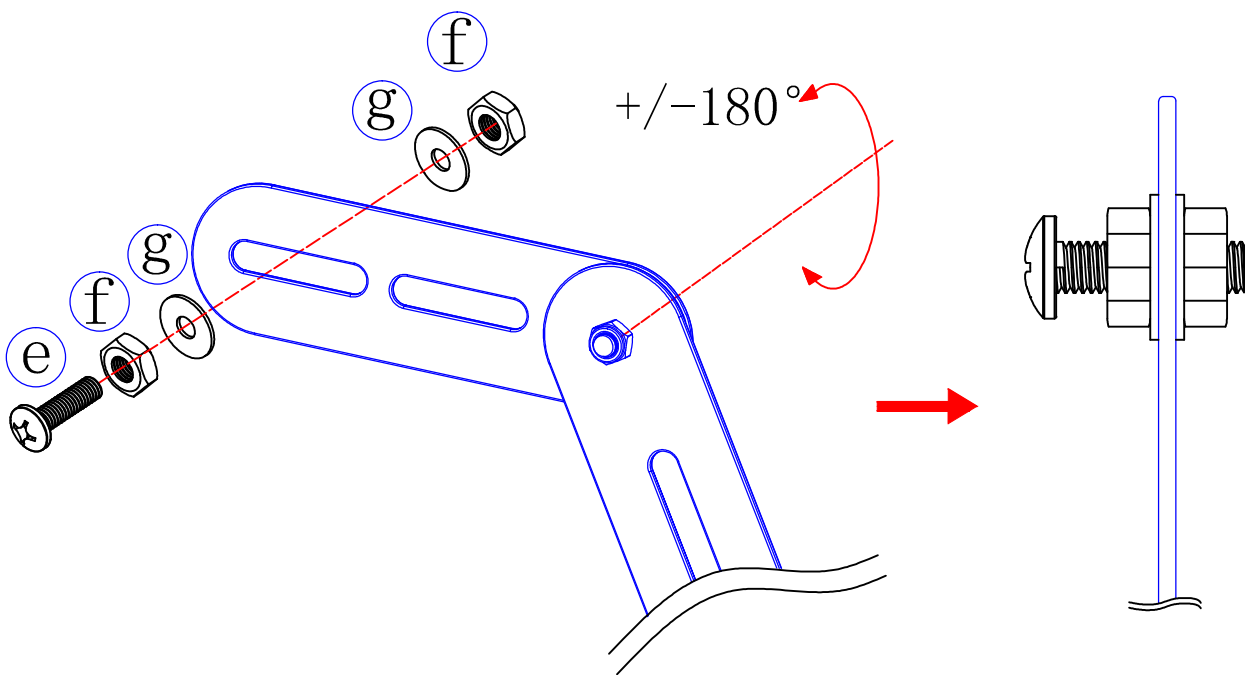


Figure 4

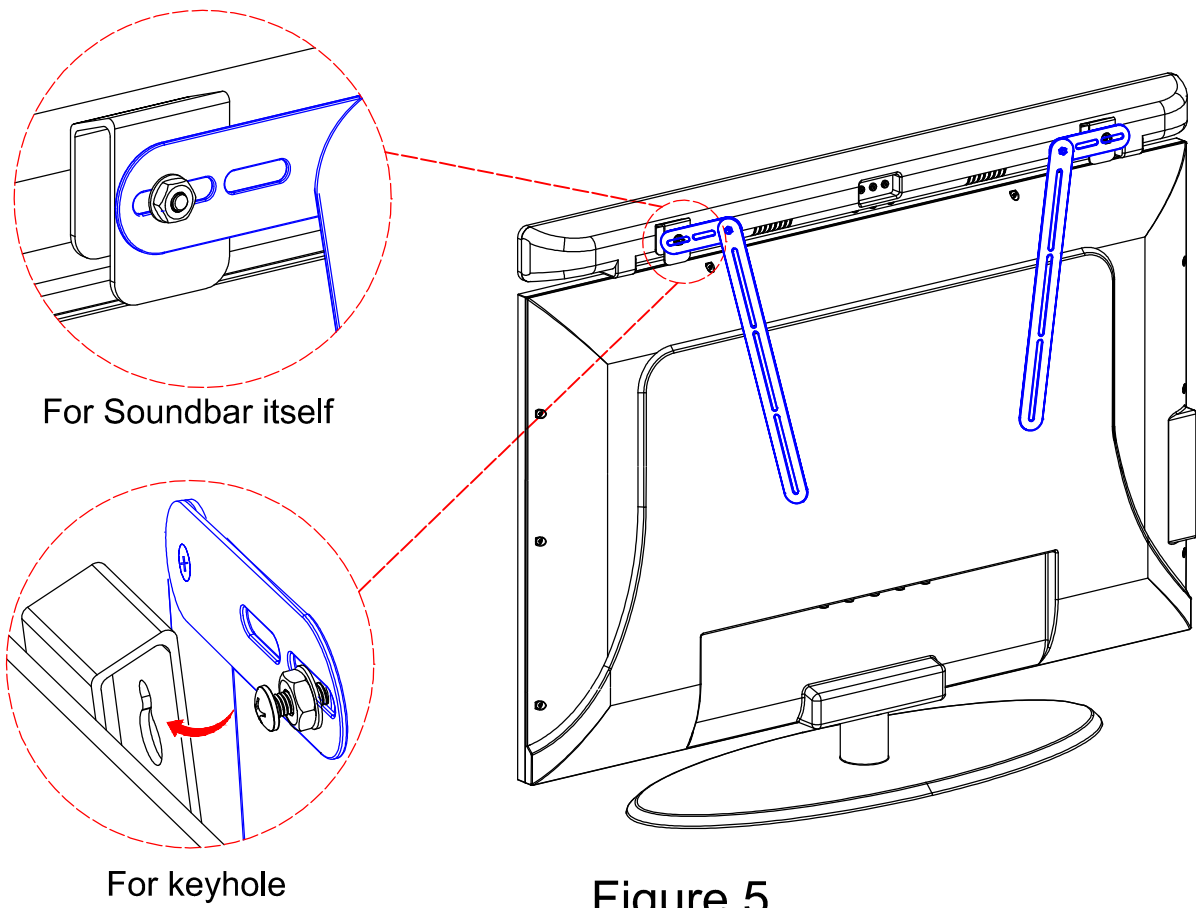


Figure 5

Used with TV bracket together:

① :

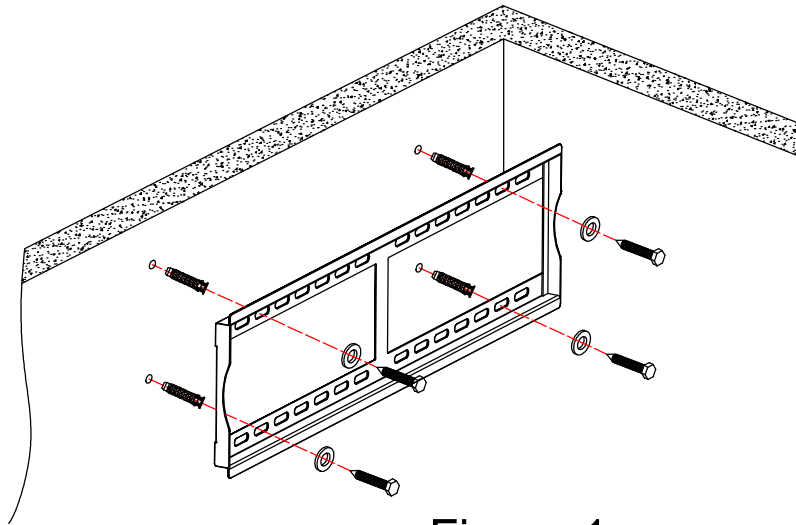


Figure 1

② Assemble above TV :

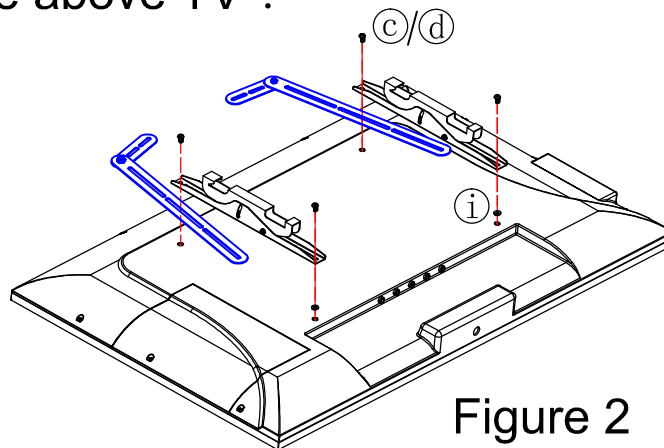


Figure 2

Assemble lower TV :

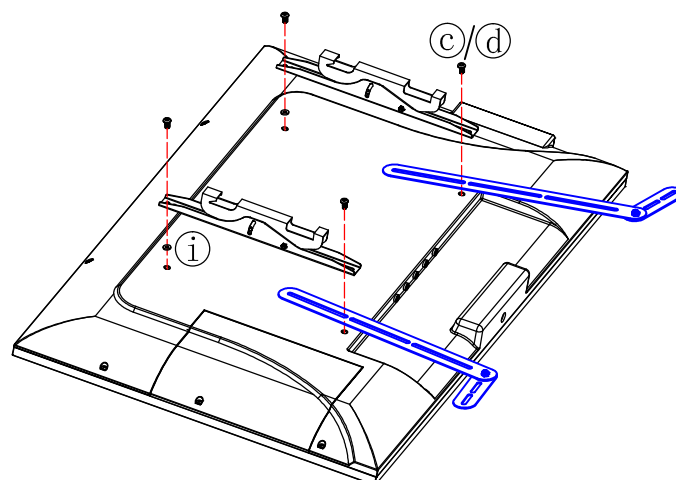
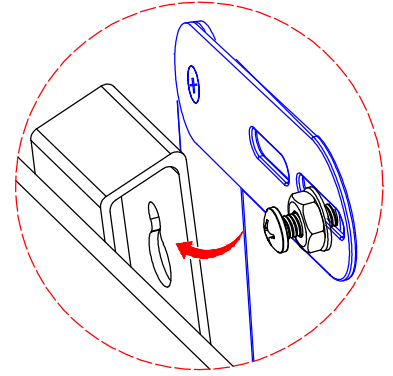
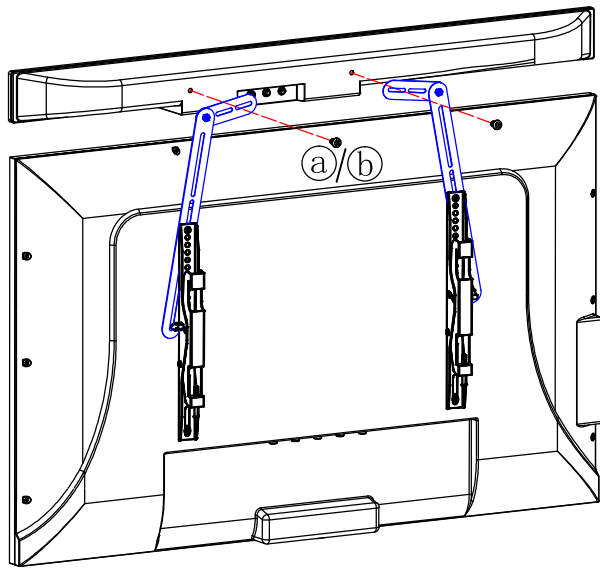


Figure 3

③ :



If for keyhole

Figure 4

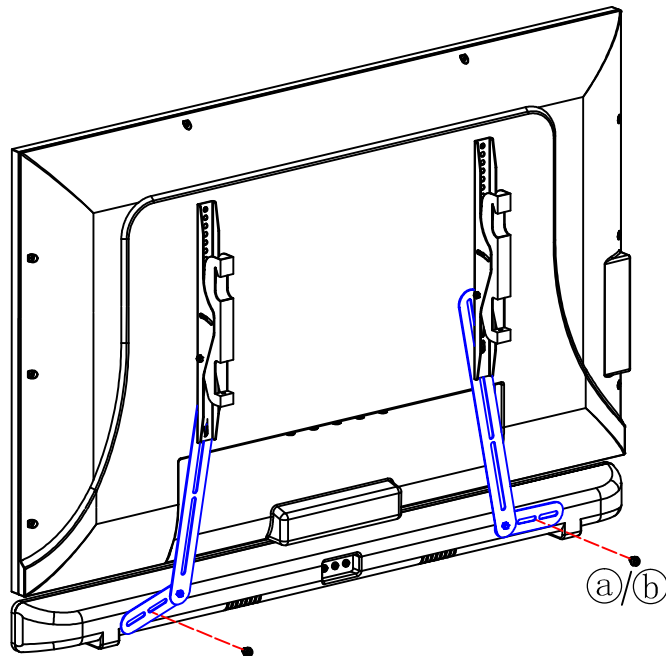


Figure 5

④ :

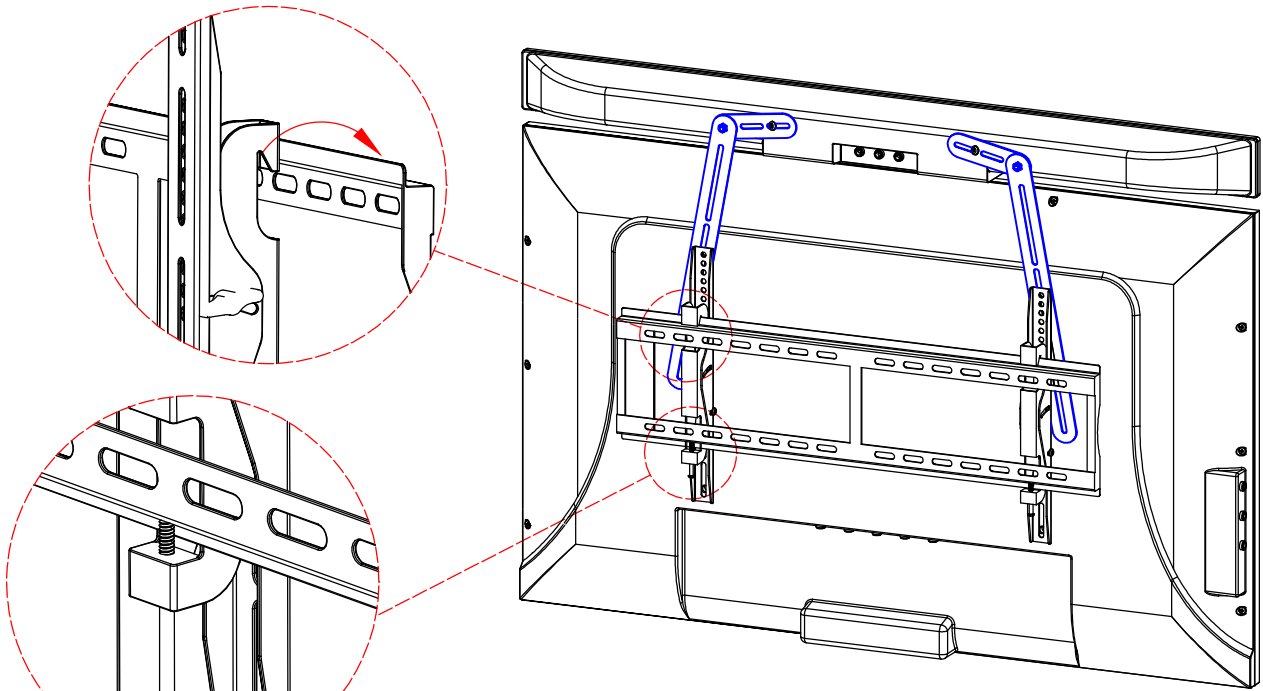


Figure 6

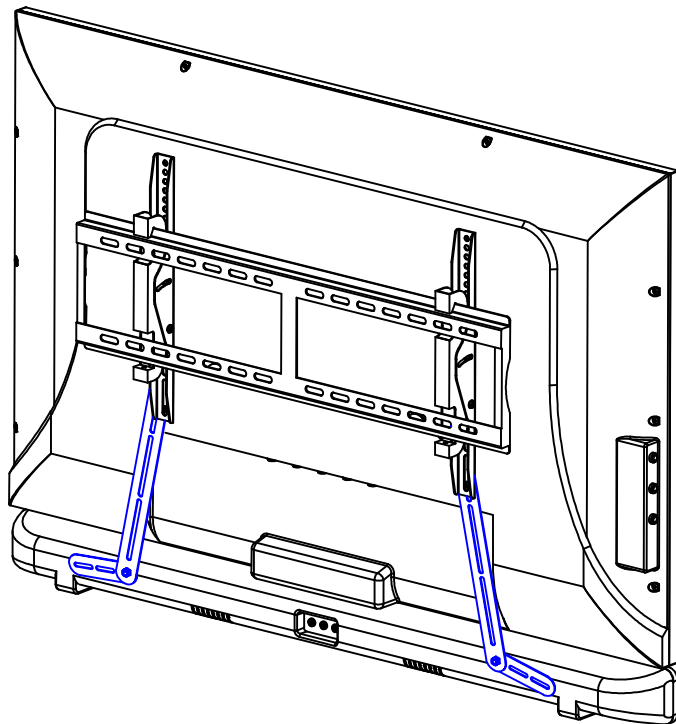


Figure 7