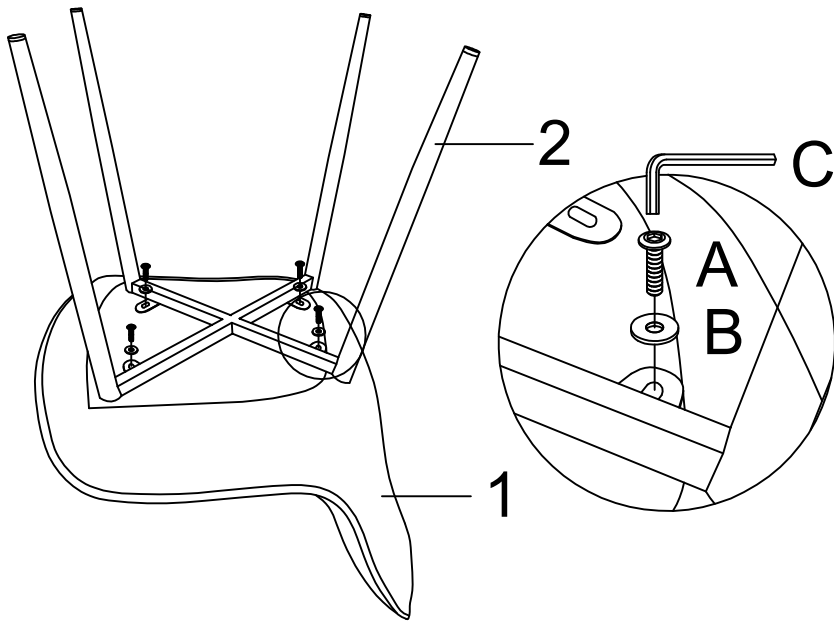


ASSEMBLY INSTRUCTION

step1

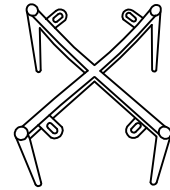


1



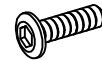
X1

2



X1

A



X4

B



X4

C



X1

step2

