

# IMPORTANT INFORMATION

- Surface wash the doll only. DO NOT submerge the doll in water. Do not use soap or other harsh chemicals.
- Do not wash or place the flocked contents in water, as it may damage the flocking.

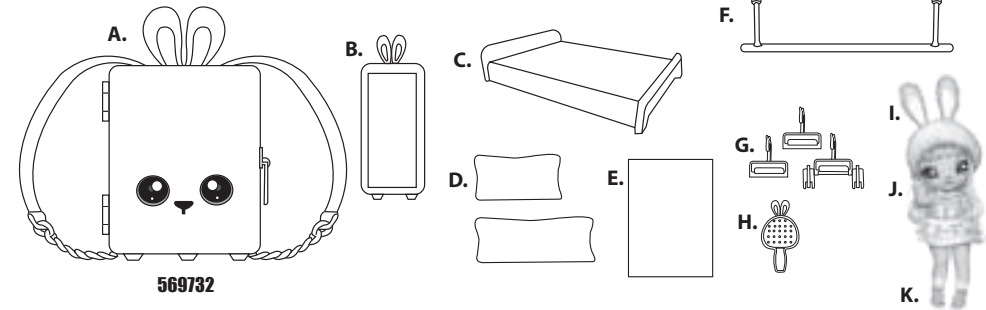


**WARNING:**  
CHOKING HAZARD—Small parts.  
Not for children under 3 years.

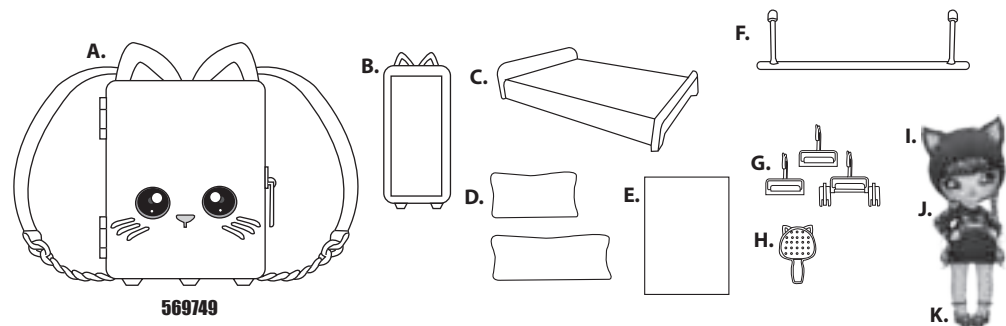
SKUs: 569732 / 569749

## CONTENTS

- |  |   |
|--|---|
| <b>A.</b> 3-in-1 Backpack Bedroom™ Playset | <b>F.</b> 1 Closet Rod (packed out under the bed) |
| <b>B.</b> 1 Mirror                         | <b>G.</b> 3 Hangers (packed out in the dresser)   |
| <b>C.</b> 1 Bed                            | <b>H.</b> 1 Brush (packed out in the dresser)     |
| <b>D.</b> 2 Pillows                        | <b>I.</b> 1 Limited Edition Doll                  |
| <b>E.</b> 1 Blanket                        | <b>J.</b> 1 Outfit                                |
|  | <b>K.</b> 1 Pair of Shoes                         |



Each sold separately.



Illustrations are for reference only. Styles may vary from actual contents.

Please keep this manual as it contains important information.



0320-0-E/INT  
Printed in China

WWW.NANANASURPRISE.COM  
©2020 MGA Entertainment, Inc.  
NA! NA! NA! SURPRISE™ is a trademark of MGA in the U.S. and other countries. All logos, names, characters, likenesses, images, slogans, and packaging appearance are the property of MGA.

The preferred method of contact for Customer Service is through our e-mail contact form at [www.mgae.com](http://www.mgae.com)

**MGA Entertainment, Inc.**  
9220 Winnetka Ave.  
Chatsworth, CA 91311 U.S.A.  
(800) 222-4685

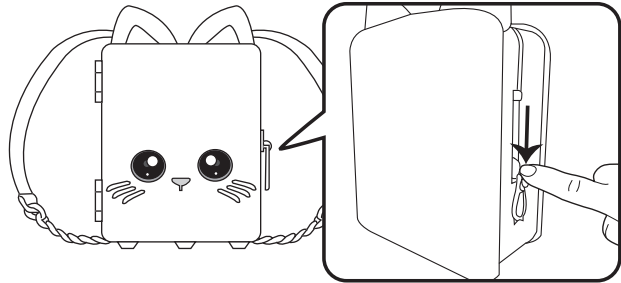
**MGA Entertainment UK Ltd.**  
50 Presley Way, Crownhill,  
Milton Keynes, MK8 0ES, Bucks, UK  
0800 521 558

**MGA Entertainment (Netherlands) B.V.**  
Baronie 68-70, 2404XG Alphen a/d Rijn, The Netherlands  
Tel: +31 (0) 172 758038  
E-mail: [klantenservice@mgae.com](mailto:klantenservice@mgae.com)

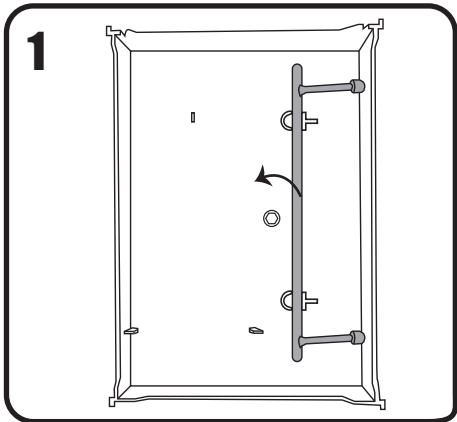
**Imported by MGA Entertainment Australia Pty Ltd**  
Suite 2.02, 32 Delhi Road  
Macquarie Park NSW 2113  
1300 059 676

## OPEN THE BACKPACK

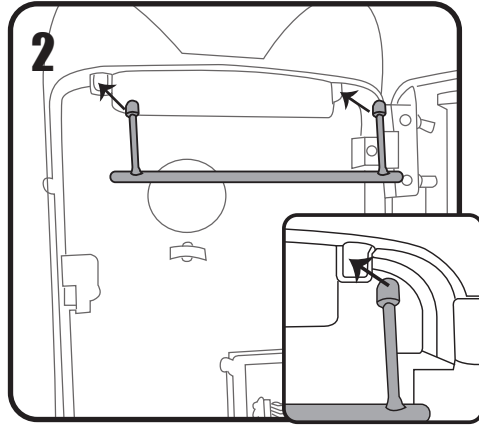
To open the backpack, push down the zipper on the side of the backpack.



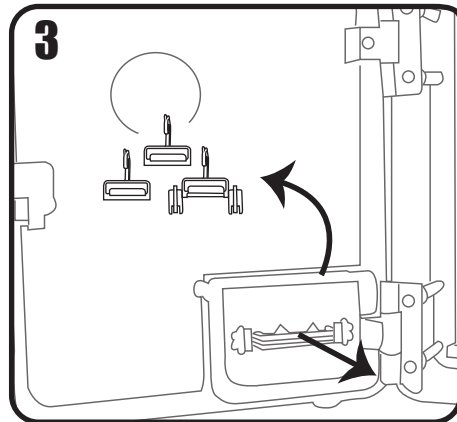
## ASSEMBLY



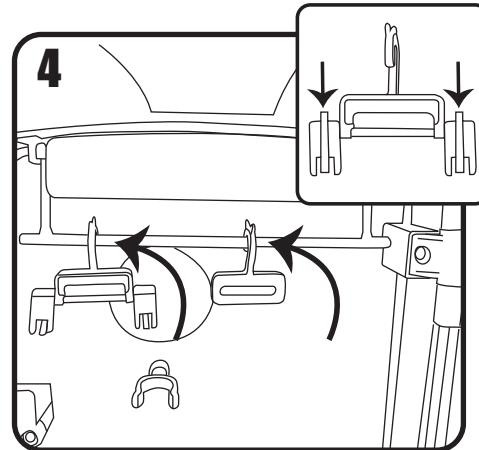
1 Remove the bed from right side of the backpack. The closet's rod is packed out under the bed. Pull out the rod.



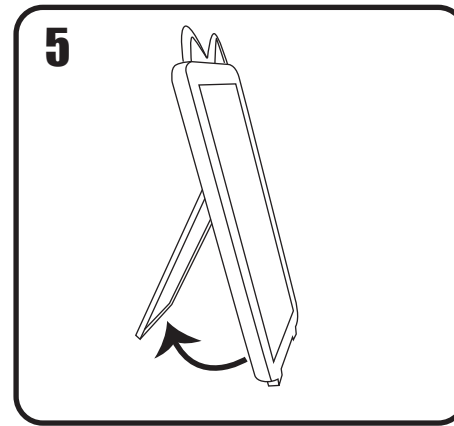
2 Slide the rod into the slots on the left side of the backpack.



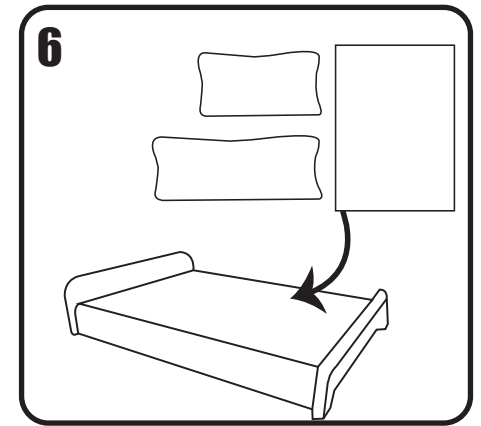
3 Open the dresser's door to remove the hangers.



4 Hang the hangers on the closet's rod. When using the hanger with clips, gently pinch the clips to open.

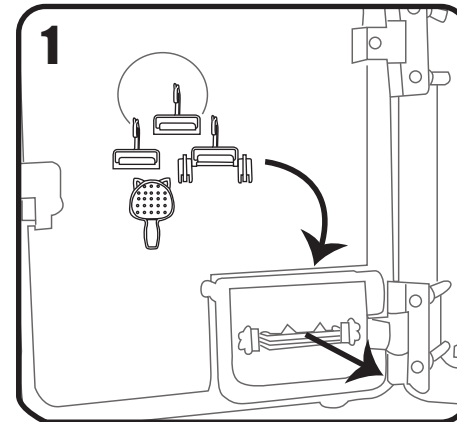


5 Pull out the panel on the back of the mirror to stand up the mirror.

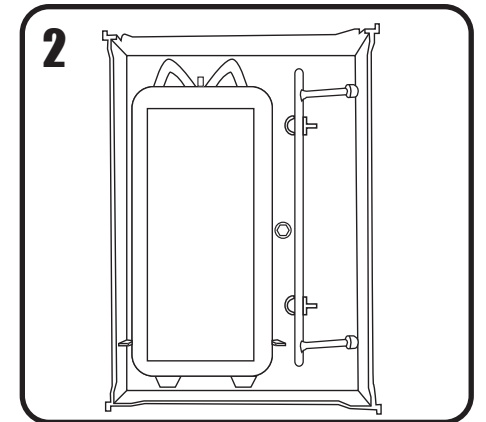


6 Place the blanket and pillows on the bed.

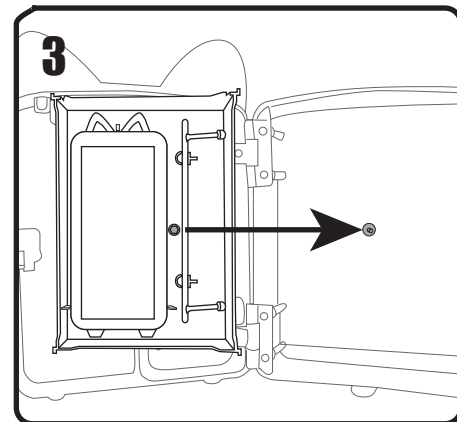
## STORING



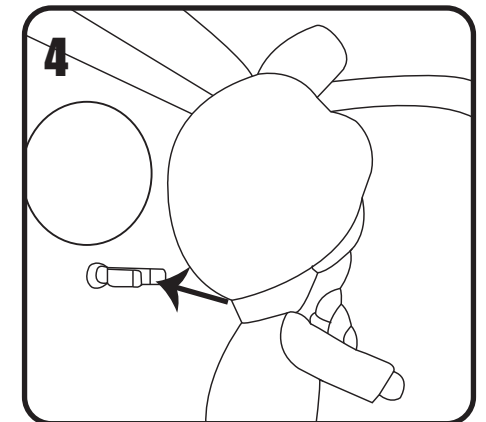
1 Store the hangers and brush in the dresser.



2 Remove the rod and replace under the bed. Store the mirror under the bed.



3 To replace the bed, insert the peg under the bed into the peg on the backpack.



4 Insert your doll's neck into the C-Clip to store your doll.