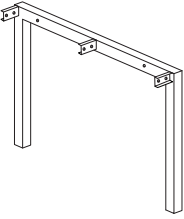
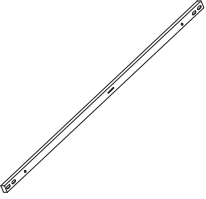
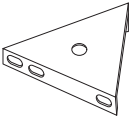
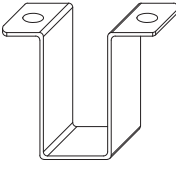
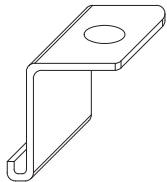
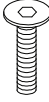
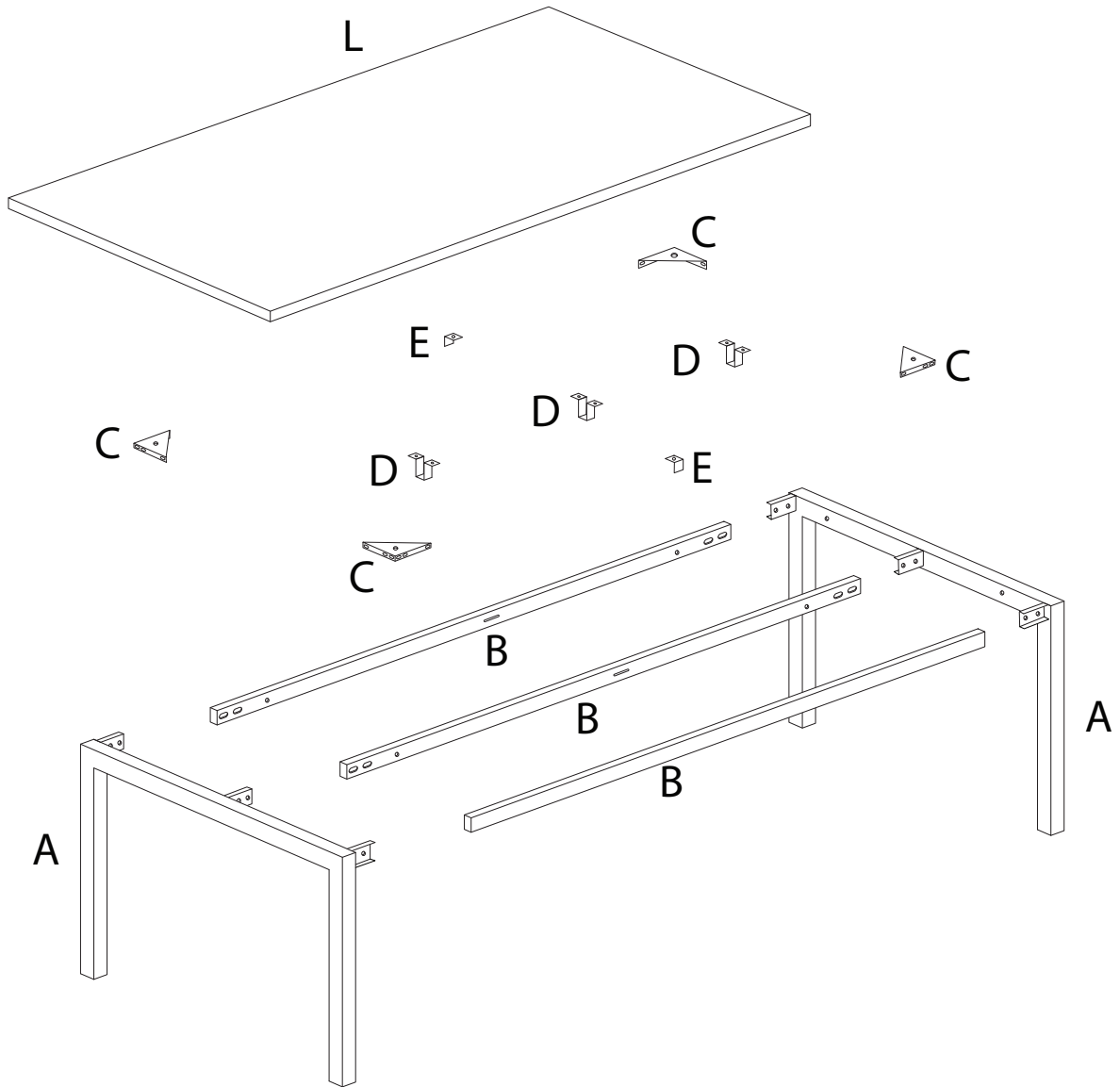



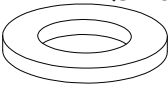
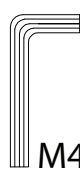
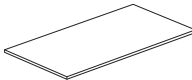


Diagram illustrating assembly instructions and safety warnings:

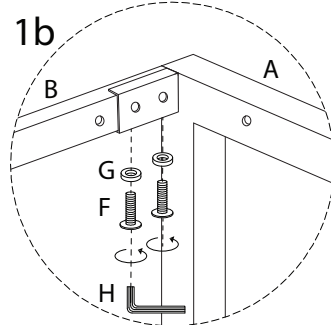
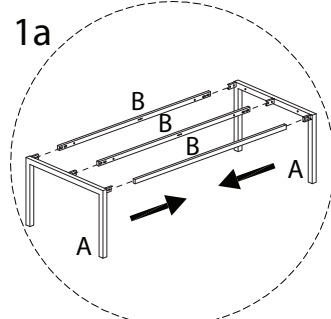
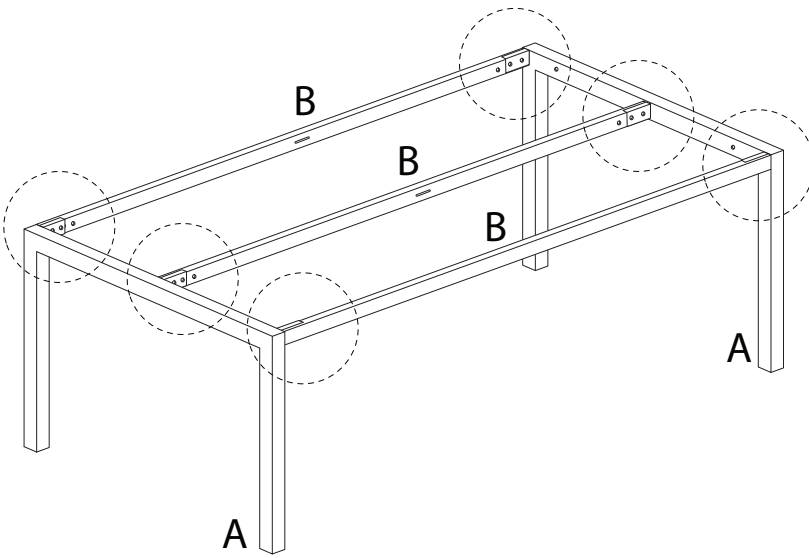
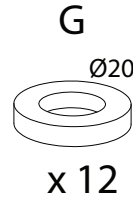
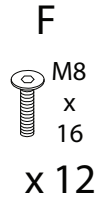
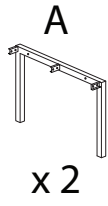
- Warning 1:** A warning triangle with an exclamation mark is positioned above a box containing an L-shaped metal bracket and a crossed-out power drill icon, indicating that a power drill should not be used for this step.
- Warning 2:** A second warning triangle with an exclamation mark is positioned above a box containing a rectangular block being placed on a surface and a crossed-out icon of a block being lifted, indicating a lifting or placement instruction.
- Time:** A clock icon is shown next to the text "20'", indicating a 20-minute assembly time.
- Personnel:** An icon of a person is shown next to the number "2", indicating that two people are required for assembly.

<b>A</b>  x 2	<b>B</b>  x 3	<b>C</b>  x 4	<b>D</b>  x 3	<b>E</b>  x 2	<b>F</b>  M8 x 16 x 28
--	--	--	--	--	---

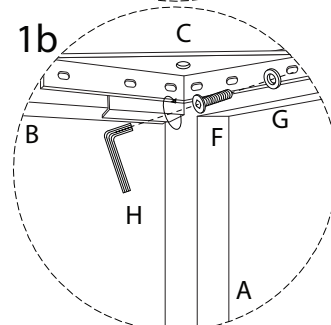
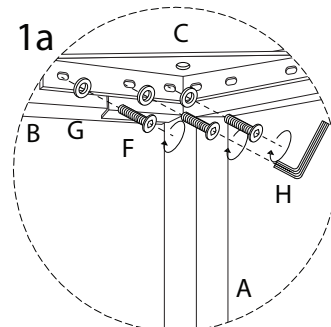
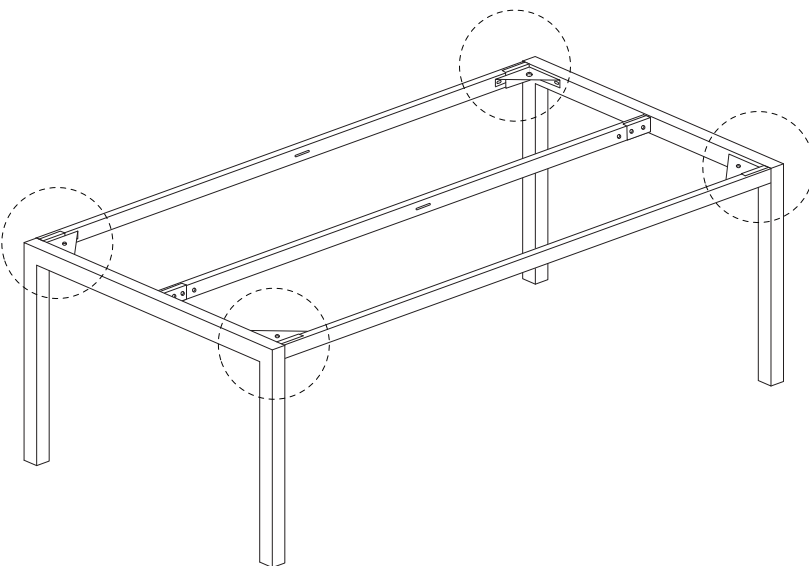
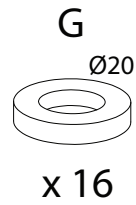
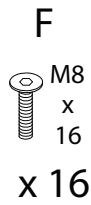
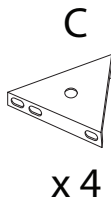


<b>G</b>  Ø20 x 28	<b>H</b>  M6 x 1	<b>I</b>  M6 x 8 x 12	<b>J</b>  Ø20 x 12	<b>K</b>  M4 x 1	<b>L</b>  x 1
---	---	--	---	---	--

1



2



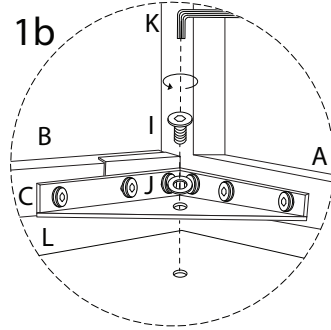
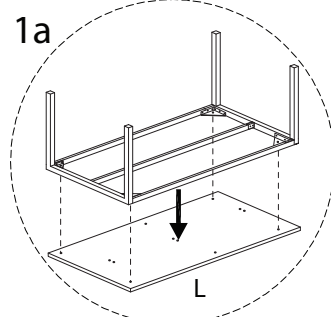
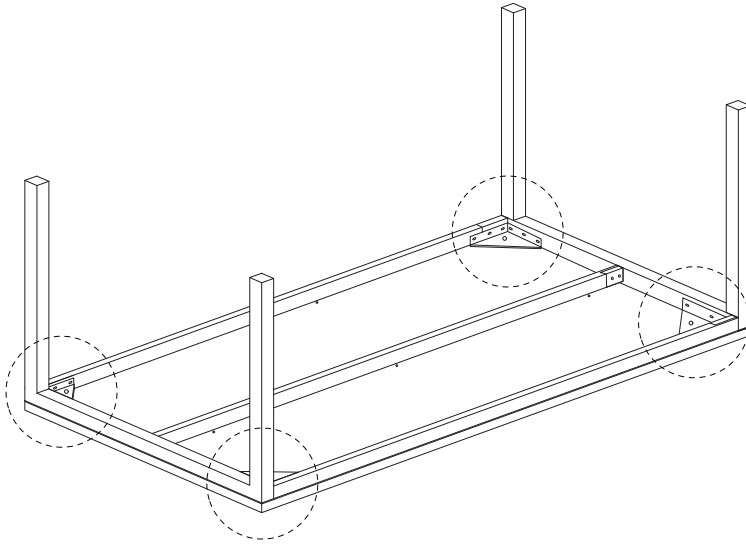
3

I  
M6  
x 8  
x 4

J  
Ø20  
x 4

K  
M4  
x 1

L  
x 1



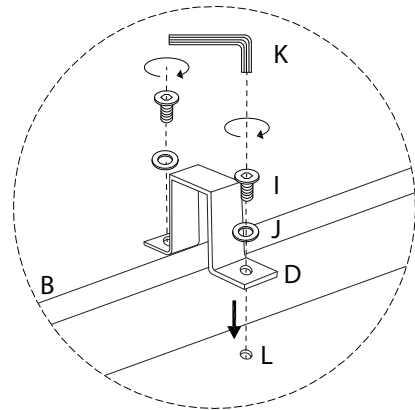
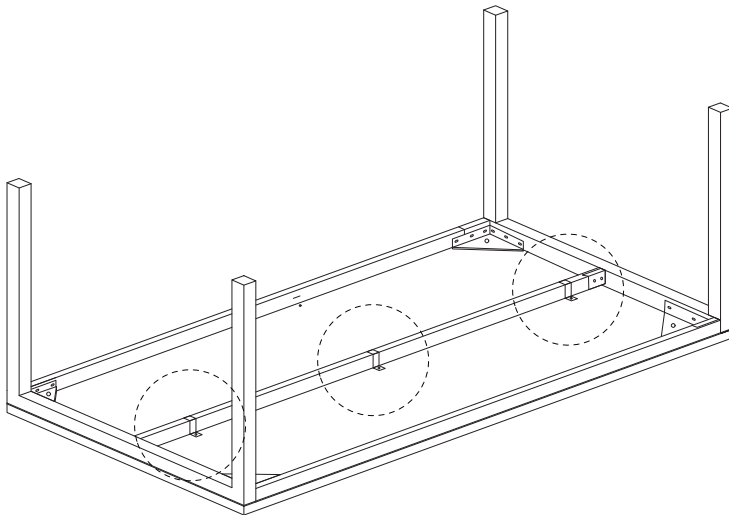
4

D  
x 3

I  
M6  
x 8  
x 6

J  
Ø20  
x 6

K  
M4  
x 1



5

