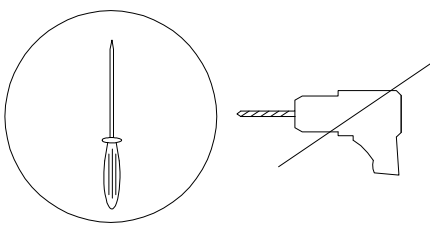
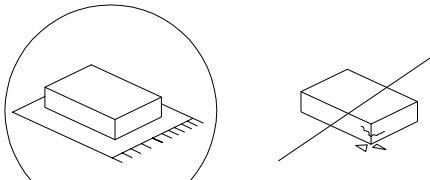


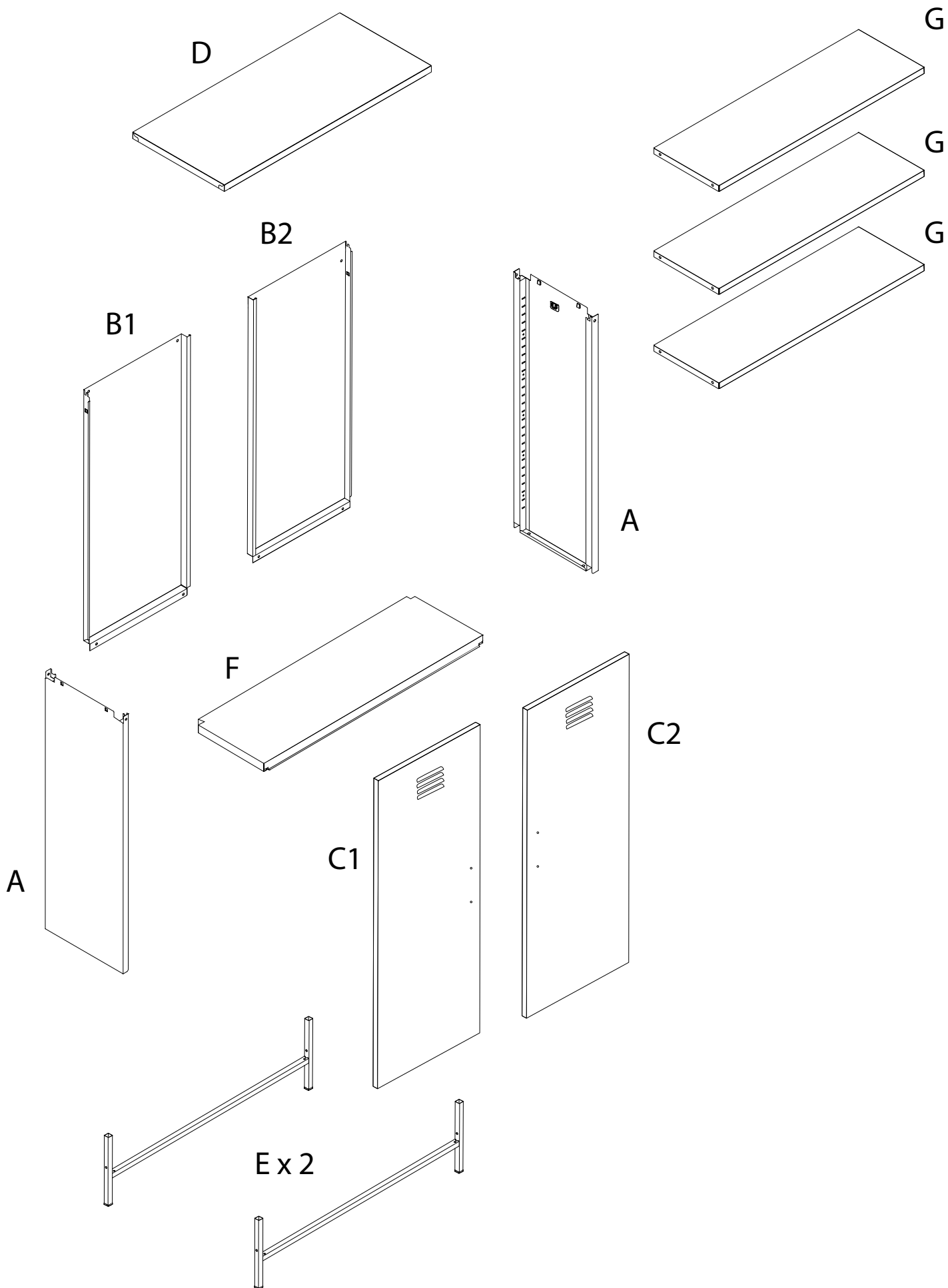
!  !

40'

!  !

1

The diagram shows two safety instructions. The first instruction, in a rounded rectangle, shows a screwdriver and a power drill with a diagonal line through them, indicating that these tools should not be used. To the right of this box is a warning triangle with an exclamation mark and a clock icon with the number '40' below it, indicating a 40-minute time limit. The second instruction, also in a rounded rectangle, shows a cushion and a person with a diagonal line through them, indicating that the cabinet should not be used as a seat. To the right of this box is a warning triangle with an exclamation mark and a person icon with the number '1' below it, indicating that only one person should be used.

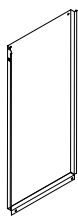


A



x 2

B1



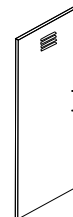
x 1

B2



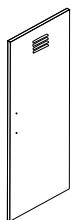
x 1

C1



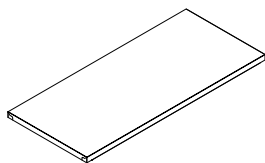
x 1

C2



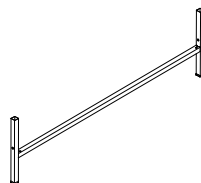
x 1

D



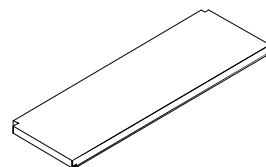
x 1

E



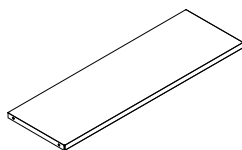
x 2

F



x 1

G



x 3

1



x 2

2



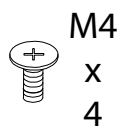
x 2

3



x 2

4



M4
x
4

x 4

5



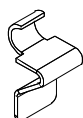
x 4

6



x 2

7



x 12

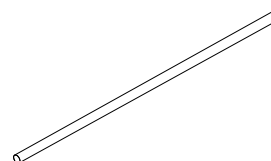
8



M5
x
12

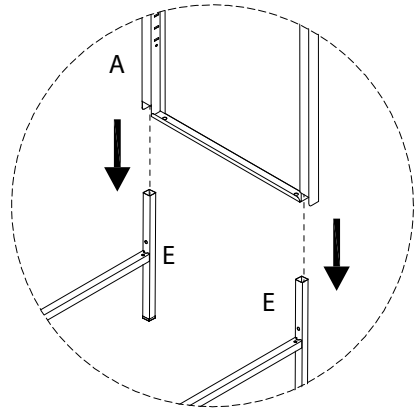
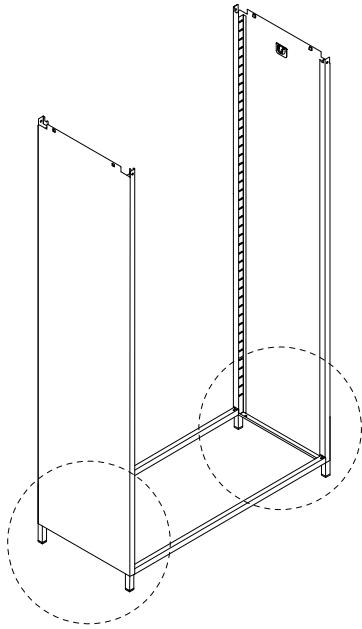
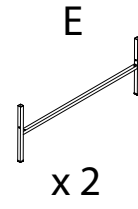
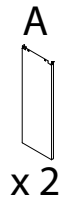
x 5

9

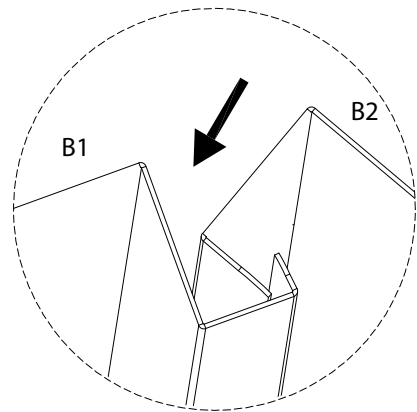
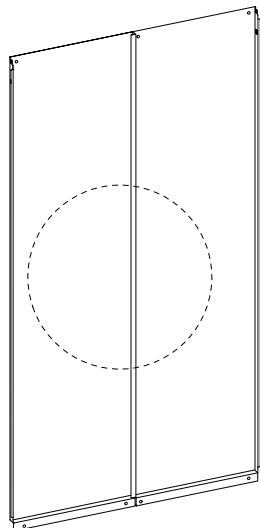


x 1

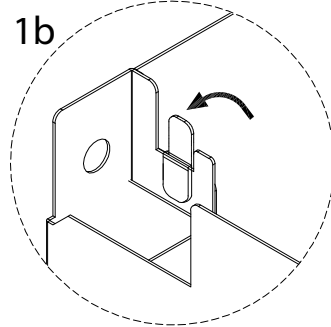
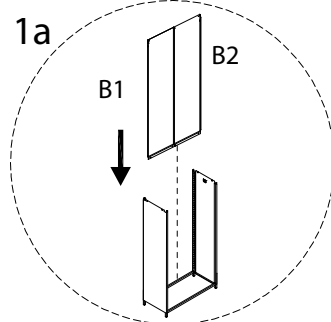
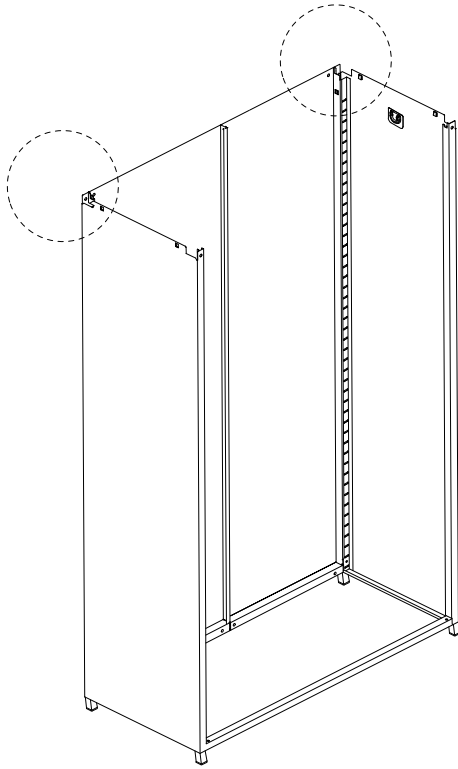
1



2



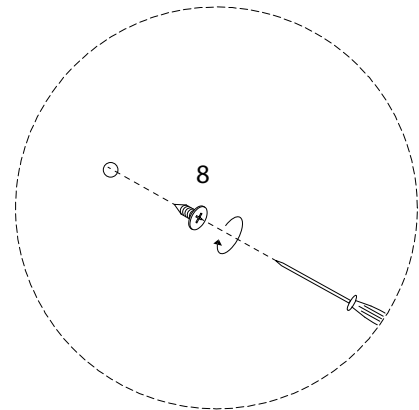
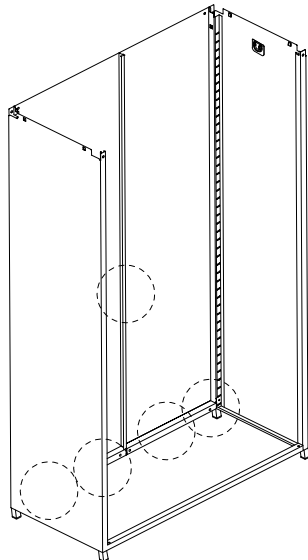
3



4

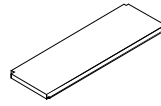
8

M5
x
12
x 5

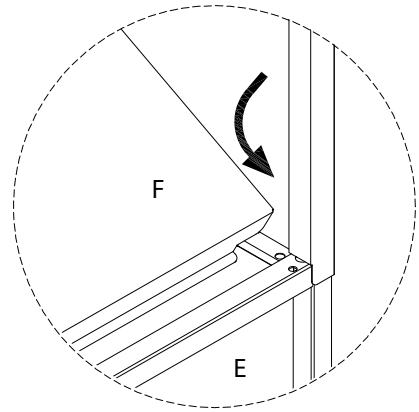
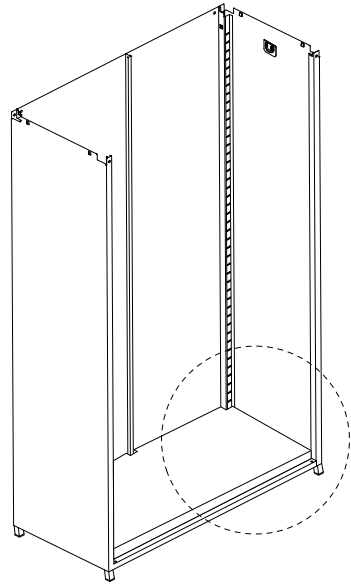


5

F

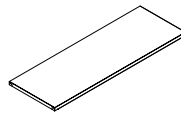


x 1

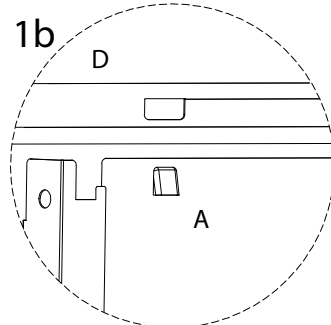
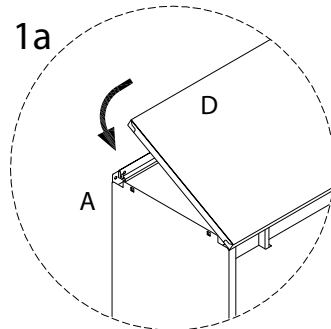
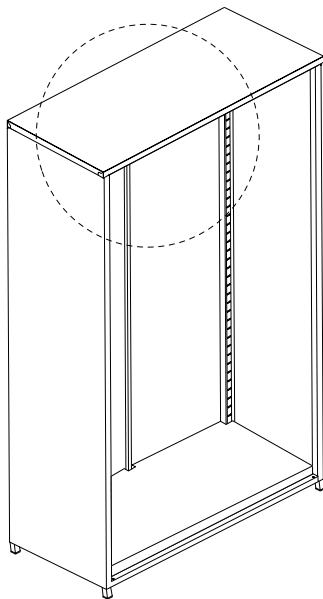


6

D

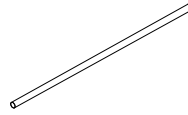


x 1

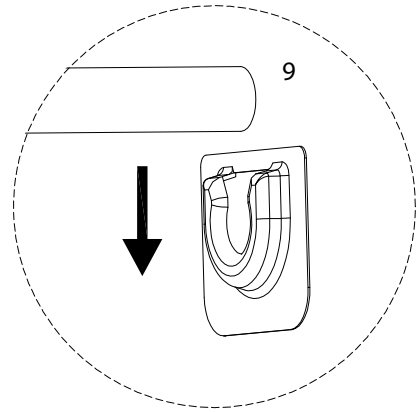
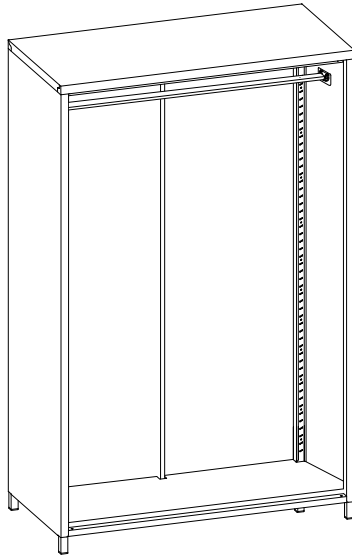


7

9



x 1

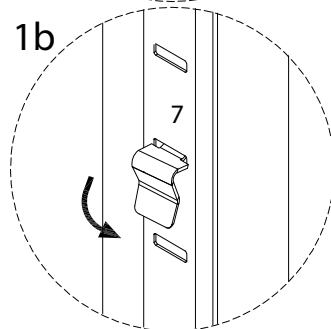
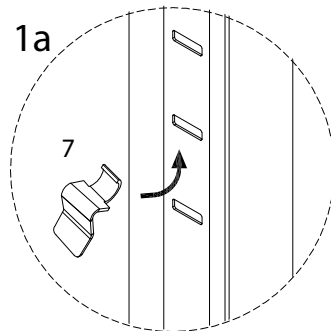
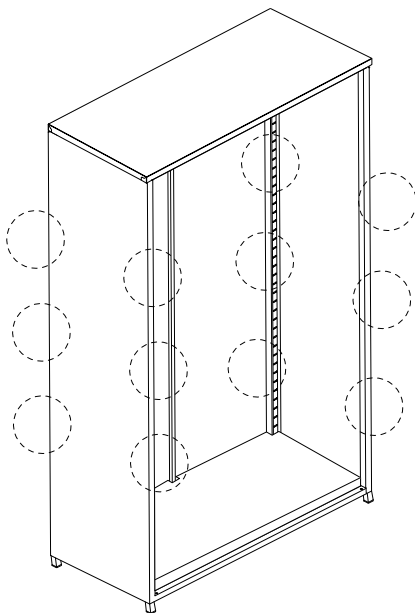


8

7

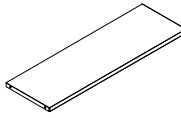


x 12

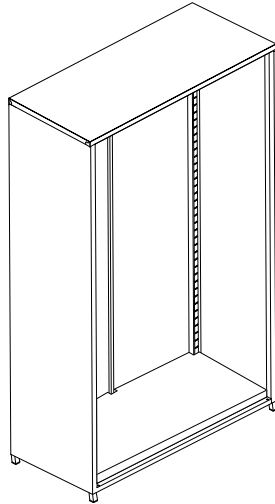


9

G



x 3



G

G

G

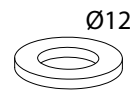
10

2

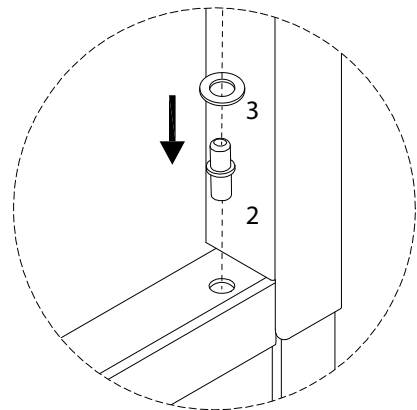
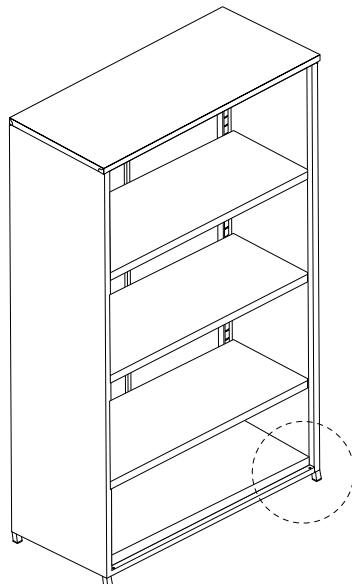


x 2

3



x 2

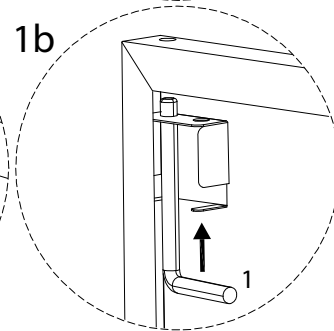
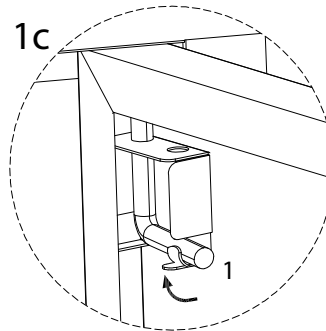
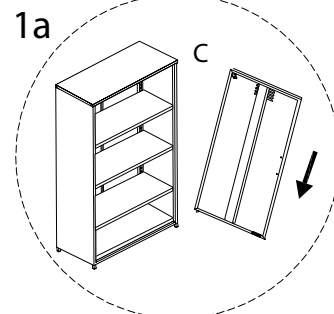
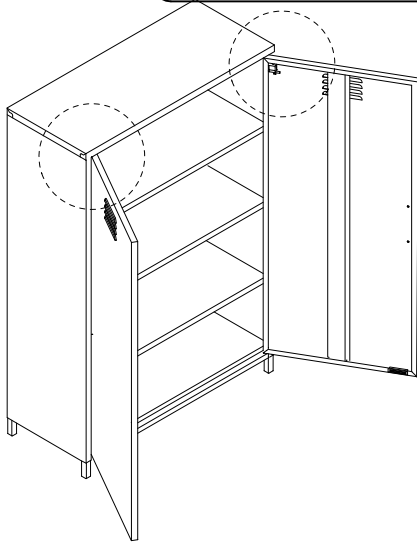


11

C1
x1

C2
x1

1
x2



12

4
M4
x 4
x 4

5
Ø9
x 4

6
x 2

