



M A R L E Y

STIR IT UP TURNTABLE RECORD PLAYER INSTRUCTIONS

Welcome to the House of Marley.

We are honored you have selected the Stir It Up Turntable to become part of your music experience. The Stir It Up features design and material cues from our Get Together BT speaker and retro-design details of turntables from the Bob Marley era (1960-1980). Simple forms with rich materials, fit and finishes. Let the natural materials shine.

BEFORE USE

1. Choose unit installation location carefully. Avoid placing it in direct sunlight or close to a source of heat. Also avoid locations subject to vibrations and excessive dust, cold or moisture. Keep away from sources that hum, such as transformers or motors.
2. Do not open the cabinet as this may result in damage to the circuitry or electrical shock. If a foreign object should get into the set, contact Customer Service.
3. Be sure not to handle record with dirty fingers. Never play a record that has a crack on the surface.
4. When removing the power plug from the wall outlet, always pull directly on the plug, never pull the cord.
5. To protect the stylus, don't forget to put on the white protective needle cover after use.
6. Do not attempt to clean the unit with chemical solvents as this might damage the finish. Use a clean, dry cloth.
7. In order to shut off the power to this product completely, unplug the power cord from the wall outlet. Be sure to unplug the unit if you do not intend to use it for an extended period of time, such as a vacation.
8. Keep this manual in a safe place for future reference.

ASSEMBLY

1. Take all the components from the package and then place the product on a stable surface.
2. Surround the belt on the bottom of metal platter. Make sure the belt is not installed twisted. Use your thumb to stretch the belt as the illustration below.
3. Reverse the platter and don't forget to keep holding the belt. Then match the spindle and insert the platter to the unit.
4. Surround the belt which is held with your thumb into the main (white) rotation column of the triangular arrangement gear columns.
5. Place the turntable mat on the platter. Then the main assembly is accomplished.

NOTE: To disassemble the turntable, directly grasp the turntable and pull it upward

6. Remove the counterweight and place it in it's proper location on the Tone arm (refer to illustration)
7. Remove the 45rpm adapter and place it in it's new home located in the top right corner of the record player.



POWERING YOUR STIR IT UP TURNTABLE

Your Stir It Up turntable uses an AC power supply and is powered by a standard wall outlet.

1. Insert the AC power supply into Stir It Up.
2. Insert the wall plug into an appropriate wall outlet.

EASY TO USE

1. Connect the AC power supply to the household outlet.
2. Rotate the OFF / 33/45 knob to turn on the unit and Select the speed according to the record you are playing.
3. Put a record on the turntable. Remember to use the 45 RPM adaptor located on the top right corner when playing a 45 RPM record.
4. Lift and move the tone arm to turntable. Place the tone arm on the edge of the record and the record starts playing.
5. Assemble the balance weight and set it to a proper position.

NOTE: The balance weight is to adjust the pressure of the needle. If the pressure is too much, the sound will become distorted; if the pressure is too little, track skipping will easily happen. Please adjust the balance weight by turning the balance weight clockwise or counter-clockwise.

6. To pause or stop playing, you need to lift and move the tone arm back to the tone arm rest manually.
7. When the end of the record is reached, the tone arm and rotation stop. Lift the tone arm and place it to tone arm rest manually.

CONNECTIONS

CAUTION: Switch off the power to all equipment before making connections. Read the instructions of each component you intend to use with this unit. Be sure to insert each plug securely. To prevent hum and noise, avoid bundling the signal interconnection cables together with the AC power cord.

LINE OUT OPERATION

1. Switch the PRE-AMP OFF/ON SWITCH to ON position.
2. Plug one end of the RCA cable (included) into the LINE OUT socket at the back of the unit. Be sure to match the color with the socket.
3. Plug the other end of the cable into the LINE IN socket of your home amplifier device.
4. Switch on the unit and the amplifier device you connected.
5. Adjust the volume on the amplifier device.

PHONO OUT OPERATION

1. Switch the PRE-AMP OFF/ON SWITCH to OFF position.
2. Plug one end of the cable (included) into the PHONO OUT socket at the back of the unit. Be sure to match the color with the socket.
3. Plug the other end of the cable into the PHONO IN socket of your home amplifier device.
4. Switch on the unit and the amplifier device you connected.
5. Adjust the volume on your amplifier device.

HEADPHONE OPERATION

1. Connect a set of headphone (not included) on the Earphone socket on the front panel of the unit.

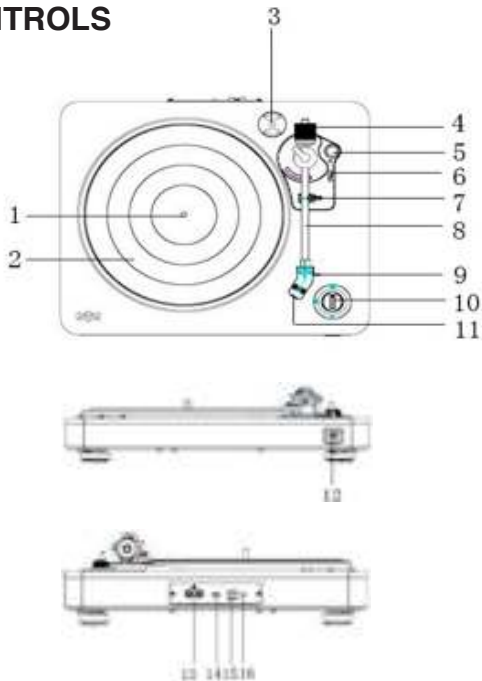
NOTE: Never put on the headphone till you have plugged in the headphone plug

USB-PC Function, Audacity Software

Full instruction for the Audacity Software USB-PC Function can be found at:
<http://www.audacityteam.org/download/>

LOCATION OF CONTROLS

1. Spindle
2. Turntable
3. 45 Rpm adaptor
4. Balance weight
5. Anti-skating knob
6. Tone arm lift level
7. Tone arm rest holder
8. Tone arm
9. Stylus
10. Off / 33/45 knob
11. Needle cover
12. Earphone socket
13. Rca output sockets
14. Pre-amp off/on switch
15. Usb socket
16. Ac power socket



LISTENING TO RECORDS

1. Connect the external amplifier device.
2. Place a record on the turntable, over the central spindle. Place the EP adapter over the central spindle when playing 45 rpm records.
3. Set the Speed Selector to 33 or 45 rpm according to the record.
4. Release the tone arm clamp, and remove the needle cover from the stylus.
5. Lift the Tone arm with the Tone arm Lift Lever.
6. Move the tone arm to the beginning of the record, or to the start of a particular track.
7. Gently lower the tone arm onto the record with the Tone arm Lift lever to start playing.
8. When the record is finished the tone arm will automatically stop. To stop manually, lift the tone arm from the record and return it to the rest.

NOTES:

- Remove the needle cover before you balance the tone arm.
- Hold tone arm whenever you make any adjustment or action so as to protect the tone arm.
- Do not try to adjust the balance weight while playing a record as this could break the needle and scratch the record.
- Re-secured the tone arm before transportation to protect the needle.
- Remove the balance weight before transportation to prevent damage or breakage to the unit.
- Do not stop or turn the platter manually. Moving or jarring the turntable without securing the Tone arm clamp could result in damage to the Tone arm.

ANTI-SKATING

Normally the anti-skating should be set to its minimum setting. Anti-skate compensates for inward tracking forces that occur with certain pick-up when the stylus nears the center of the record. If the turntable is experiencing excessive skipping while nearing the center spindle, try increase the anti-skating in the increments indicated on the dial. Start by adding an increment of 1, test its performance, then increase it more, and so on.

NOTE: During adjusting the anti-skating knob, leave the tone arm and balance weight alone to prevent damaging the stylus (needle).

TROUBLESHOOTING GUIDE

In case of trouble with the unit, please look through below and see if you can solve the problem by yourself before calling your dealer.

THE WHOLE UNIT

PROBLEM	CAUSE	SOLUTION
Power does not come on when the power switch is pressed.	Unit is unplugged.	Connect the unit to the AC power supply.
No sound	The working input does not match the source input.	Reselect a source.
The unit has no response or could not reset.	External factors such as ESD (Electro-static discharge) affect the unit.	Remove the power cord and all power supply devices, then re-plug in the unit after one minute.

PHONO PLAYER

PROBLEM	CAUSE	SOLUTION
The sound is noisy when playing the record.	The stylus is not placed in the middle center.	Replace the stylus which is placed in the middle center.
No sound	The working input does not match the source input.	Reselect a source.
The unit has no response or could not reset.	External factors such as ESD (Electro-static discharge) affect the unit.	Remove the power cord and all power supply devices, then re-plug in the unit after one minute.

WARNINGS AND STANDARD SAFETY INFO ADDED

Safety Precautions

WARNING: To reduce the risk of fire or electric shock, do not expose this appliance to rain or moisture.

CAUTION: Use of controls or adjustments or performance of procedures other than those specified may result in hazardous radiation exposures.

CAUTION: RISK OF ELECTRIC SHOCKS - DO NOT OPEN!

To reduce the risk of electric shock, do not remove cover or back.

No user serviceable parts inside. Refer servicing to qualified service personnel.



The light flash with arrowhead symbol, within an equilateral triangle, is intended to alert user to the presence of non-insulated “dangerous voltage” within the product’s enclosure that may be of sufficient magnitude to constitute risk of electric shock to persons.



The exclamation point within an equilateral triangle is intended to alert user to the presence of important operating and maintenance

(servicing) instructions in the literature accompanying the appliance.

(see markings on the back of the unit.)

This unit operates on 100-240V. If the unit is not used for a long period of time, remove the plug from the AC mains.

Ensure all connections are properly made before operating the unit.

This unit must not be exposed to moisture or rain.

This unit should be positioned so that it is properly ventilated. Avoid placing it, for example, close to curtains, on the carpet or in a built-in installation such as a bookcase.

Do not expose this unit to direct sunlight or heat radiating sources.

IMPORTANT SAFETY INSTRUCTIONS

1. Follow and keep these instructions.
2. Heed all warnings.
3. Do not use this apparatus near water.
4. Clean only with a dry cloth.
5. Do not block any ventilation openings. Install in accordance with the manufacturer’s instructions.
6. Do not install near any heat sources such as radiators, heat registers, stoves, or other apparatus (including amplifiers) that produce heat.
7. Protect the power cord from being walked on or pinched particularly at plug, convenience receptacles, and the point where they exit from the apparatus.
8. Only use attachments/accessories specified by the manufacturer.
9. Unplug this apparatus during lightning storms or when unused for long periods of time.
10. Refer all servicing to qualified service personnel. Servicing is required when the apparatus has been damaged in any way, such as power-supply cord or plug is damaged, liquid has been spilled or objects have fallen into the apparatus, the apparatus has been exposed to rain or moisture, does not operate normally, or has been dropped.

11. To reduce the risk of fire or electric shock, do not expose this apparatus to rain or moisture.
12. **CAUTION:** Danger of explosion if battery is incorrectly replaced. Replace only with the same or equivalent type.

WEEE EXPLANATION



This marking indicates that this product should not be disposed with other household wastes throughout the EU. To prevent possible harm to the environment or human health from uncontrolled waste disposal, recycle it responsibly to promote the sustainable reuse of material resources. To return your used device, please use the return and collection systems or contact the retailer where the product was purchased. They can take this product for environmental safe recycling.

BATTERY DIRECTIVE



This symbol indicates that batteries must not be disposed of in the domestic waste as they contain substances which can be damaging to the environment and health. Please dispose of batteries in designated collection points.

WARNING: The battery (in remote control) shall not be exposed to excessive heat such as sunshine, fire or the like.

WARNING: DO NOT INGEST BATTERY, CHEMICAL BURN HAZARD.

This product contains a coin/button cell battery. If the coin/ button cell battery is swallowed, it can cause severe internal burns in just 2 hours and can lead to

death. Keep new and used batteries away from children. If the battery compartment does not close securely, stop using the product and keep it away from children.

If you think batteries might have been swallowed or placed inside any part of the body, seek immediate medical attention.

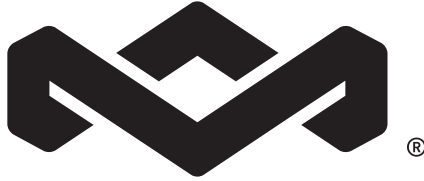
FCC STATEMENT

This equipment has been tested and found to comply with the limits for a Class B digital device, pursuant to part 15 of the FCC Rules. These limits are designed to provide reasonable protection against harmful interference in a residential installation. This equipment generates uses and can radiate radio frequency energy and, if not installed and used in accordance with the instructions, may cause harmful interference to radio communications. However, there is no guarantee that interference will not occur in a particular installation. If this equipment does cause harmful interference to radio or television reception, which can be determined by turning the equipment off and on, the user is encouraged to try to correct the interference by one or more of the following measures:

- Reorient or relocate the receiving antenna.
- Increase the separation between the equipment and receiver.
- Connect the equipment into an outlet on a circuit different from that to which the receiver is connected.
- Consult the dealer or an experienced radio/TV technician for help.

CAUTION: Any changes or modifications not expressly approved by the party responsible for compliance could void the user's authority to operate the equipment.

This appliance can be used by children aged from 8 years and above and persons with reduced physical, sensory or mental capabilities or lack of experience and knowledge if they have been given supervision or instruction concerning use of the appliance in a safe way and understand the hazards involved. Children shall not play with the appliance. Cleaning and user maintenance shall not be made by children without supervision.



M A R L E Y

GIRADISCOS STIR IT UP INSTRUCCIONES DEL TOCADISCOS

Bienvenidos a House of Marley

Estamos encantados de que el giradiscos Stir It Up sea ya parte de su experiencia musical. El modelo Stir It Up comparte el sugerente diseño y los materiales utilizados en nuestro modelo anterior de altavoz Get Together BT y tiene la estética vintage de los giradiscos de la era de Bob Marley (1960-1980). Formas sencillas con materiales, ajuste y acabados elegantes. Da todo el protagonismo a los materiales naturales.

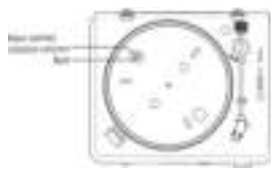
ANTES DE USARLO

1. Elija cuidadosamente el emplazamiento donde vaya a instalar la unidad. Evite ponerla directamente bajo el sol o cerca de una fuente de calor. Evite asimismo emplazamientos donde pueda vibrar o donde se pueda acumular excesivamente polvo, frío o humedad. Aléjela de emplazamientos donde haya un zumbido constante, como pueden ser transformadores o motores.
2. No abra la plataforma de la base, ya que podría dañarse el circuito o producirse una descarga eléctrica. En caso de introducirse un objeto extraño en el equipo, póngase en contacto con el servicio de Atención al Cliente.
3. No manipule el disco con los dedos sucios. Y nunca reproduzca un disco con la superficie cuarteada.
4. Cuando retire el cable conector de la toma de corriente, tire siempre del enchufe; nunca del cable.
5. Para proteger la aguja, póngale siempre la cápsula protectora blanca cuando acabe de usarla.
6. No limpie la unidad con productos químicos, ya que pueden dañar el acabado. Límpiela con un paño limpio y seco.
7. Para apagar por completo el tocadiscos, extraiga el enchufe de la toma de corriente. Si no tiene pensado usar el tocadiscos durante un tiempo prolongado, como por ejemplo durante las vacaciones, desenchúfelo completamente.
8. Guarde este manual de instrucciones en un lugar seguro para consultas futuras.

ENSAMBLAJE

1. Saque los componentes de la caja y coloque el producto en una superficie estable.
2. Recubra la correa del fondo del plato de metal. Asegúrese de que la correa no esté retorcida. Con ayuda del pulgar, estire la correa como muestra la ilustración de abajo.
3. Dé la vuelta al plato sin dejar de sujetar la correa. Haga coincidir la aguja e inserte el plato en la unidad.
4. Rodee la correa que está sujetando con el pulgar hacia la columna (blanca) principal de rotación de las columnas triangulares del montaje del piñón.
5. Ponga la esfera del giradiscos en el plato. Ya están montados los principales componentes de la unidad.

NOTA: Para desmontar el giradiscos, tan solo tiene que agarrarlo entre sus manos y tirar de él hacia arriba.



6. Retire el contrapeso y colóquelo en su sitio, o sea, en el brazo de lectura (consulte la ilustración).
7. Extraiga el adaptador de 45 rpm y colóquelo en su sitio, o sea, en la esquina superior derecha del tocadiscos.

ENCENDIDO DE SU GIRADISCOS STIR IT UP

Su giradiscos Stir It Up funciona con un suministro de corriente CA incorporado, que se enchufa a una toma de corriente de pared estándar.

1. Conecte el suministro de corriente CA en el Stir It Up.
2. Conecte el enchufe en la toma de pared apropiada.

FÁCIL DE USAR

1. Conecte el suministro de corriente CA en la toma doméstica convencional.
2. Gire el botón OFF / 33/45 para encender la unidad y seleccione la velocidad en función del disco que esté reproduciendo.
3. Ponga un disco en el giradiscos. Recuerde usar el adaptador a 45 rpm situado en la esquina superior derecha cuando reproduzca un disco a 45 rpm.
4. Levante y lleve el brazo de lectura hasta el giradiscos. Colóquelo en el borde del disco; este empezará a girar.
5. Monte el contrapeso y póngalo donde corresponde para que haga su función, que consiste en ajustar la presión de la aguja. Si se ejerce demasiada presión, el sonido se distorsionará. Si, por el contrario, no se ejerce demasiada presión, es probable que la aguja se salte pistas. Para ajustar el contrapeso, gírelo en sentido horario o antihorario.

NOTA:

6. Para poner en pausa o detener la reproducción, tiene que levantar y desplazar manualmente el brazo de lectura hasta el reposabrazos.
7. Al acabar de reproducir el disco, el brazo de lectura dejará de girar. Levántelo y vuelva a colocarlo en el reposabrazos manualmente.

CONEXIÓN DE COMPONENTES

PRECAUCIÓN: Apague completamente el equipo antes de conectar enchufes. Lea las instrucciones de cada componente que quiera usar con esta unidad. Asegúrese de insertar cada enchufe de forma segura. Para evitar zumbido y ruido, no ate en bulto los cables de interconexión de la señal junto con el cable de conexión CA.

FUNCIONAMIENTO DE LA CONEXIÓN DE SALIDA

1. Ponga el interruptor PRE-AMP OFF/ON en la posición de encendido (ON).

2. Enchufe uno de los extremos del cable RCA (incluido) en la toma LINE OUT en la parte trasera de la unidad. Asegúrese de que el color coincida con la toma.
3. Enchufe el otro extremo del cable en la toma LINE IN de su amplificador doméstico.
4. Encienda la unidad y el amplificador conectado.
5. Ajuste el volumen del amplificador.

FUNCIONAMIENTO DE LA SALIDA DEL FONO

1. Ponga el interruptor PRE-AMP OFF/ON en la posición de apagado (OFF).
2. Enchufe el extremo del cable (incluido) en la toma PHONO OUT en la parte trasera de la unidad. Asegúrese de que el color coincida con la toma.
3. Enchufe el otro extremo del cable en la toma PHONO IN de su amplificador.
4. Encienda la unidad y el amplificador conectado.
5. Ajuste el volumen de su amplificador.

FUNCIONAMIENTO DE LOS AURICULARES

1. Conecte los auriculares (no incluidos) a la toma prevista a tal efecto en el panel delantero de la unidad.

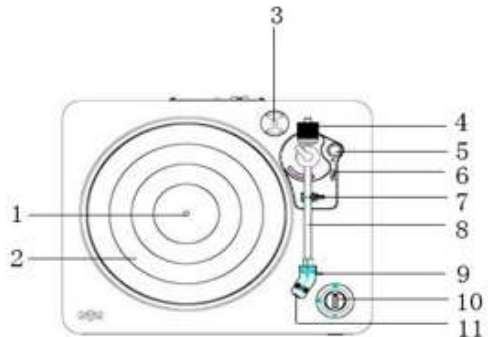
NOTA: No se los ponga hasta que no los haya enchufado en la toma correspondiente.

FUNCIÓN USB-PC, SOFTWARE AUDACITY

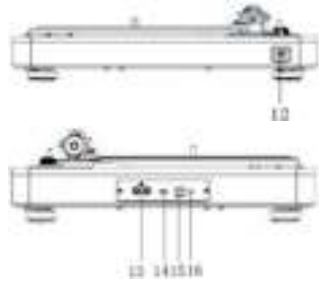
En el sitio web <http://www.audacityteam.org/download/> encontrará instrucciones detalladas del funcionamiento de la función USB-PC del software Audacity

UBICACIÓN DE LOS MANDOS DE CONTROL

1. Aguja
2. Giradiscos
3. Adaptador de 45 rpm
4. Contrapeso
5. Botón antiskating (antideslizamiento)
6. Nivellevantamiento del brazo de lectura
7. Soporte del reposabrazo de lectura
8. Brazo de lectura
9. Aguja
10. Botón off / 33/45



11. Cápsula para la aguja
12. Toma para auriculares
13. Tomas de salida rca
14. Interruptor pre-amp off/on
15. Toma usb
16. Toma de corriente ca



REPRODUCCIÓN DE DISCOS

1. Conecte el amplificador externo.
2. Ponga un disco en el giradiscos, centrado en el eje central. Coloque el adaptador de EP en el eje central cuando reproduzca discos a 45 rpm.
3. Configure el selector de velocidad a 33 o a 45 según el disco que quiera escuchar.
4. Afloje la abrazadera del brazo de lectura y extraiga la cápsula protectora de la aguja.
5. Levante el brazo de lectura con la palanca del elevador prevista para tal efecto.
6. Póngalo al principio del disco o al principio de una pista en particular.
7. Bájelo suavemente sobre el disco con la palanca del elevador del brazo de lectura para que empiece a reproducir el sonido.
8. Cuando se acabe de reproducir el disco, el brazo de lectura se detendrá automáticamente. Para detenerlo manualmente, levante el brazo de lectura del disco y vuelva a ponerlo en el reposabrazo.

NOTAS:

- Extraiga la cápsula protectora de la aguja antes de nivelar el brazo de lectura.
- Sujete el brazo de lectura mientras realiza los ajustes pertinentes o protéjalo mientras los realiza.
- No intente ajustar el contrapeso mientras esté reproduciendo un disco, ya que podría romperse la aguja y rayarse el disco.
- Antes de trasladar la unidad a otro emplazamiento, proteja firmemente el brazo de lectura para que no sufra ningún percance durante el traslado.
- Extraiga el contrapeso antes de trasladarlo para evitar percances o daños en la unidad.
- No detenga, ni gire el plato manualmente. Mover u obstruir el giradiscos sin asegurar antes la abrazadera del brazo de lectura puede hacer que se dañe el brazo del tono.

ANTISKATING

Normalmente, el antiskating (antideslizamiento) debe estar configurado al ajuste mínimo. El antideslizamiento compensa las fuerzas de accionamiento centrípeto

que se producen con cierta aceleración cuando la aguja se acerca al centro del disco. Si el giradiscos salta demasiado de surco al aproximarse al eje central, aumente el nivel de antideslizamiento en incrementos indicados en el dial. Empiece añadiendo un incremento de 1 nivel, pruebe el funcionamiento y vaya aumentando más niveles, si es preciso.

NOTA: Cuando esté ajustando el botón de antideslizamiento, no toque el brazo de lectura, ni el contrapeso para que no dañen la aguja.

PRECAUCIÓN; NO ABRIR! RIESGO DE DESCARGAS ELÉCTRICAS

Con el fin de reducir el riesgo de descarga eléctrica, no extraiga la tapa ni la parte trasera. No hay piezas que el usuario pueda arreglar. Remita los trabajos de revisión a personal del servicio de mantenimiento calificado.



La señal de rayo con punta de flecha dentro de un triángulo equilátero se incluye para alertar al usuario de la presencia de un “voltaje peligroso” sin aislamiento dentro de la carcasa del producto con suficiente magnitud como para representar un riesgo de descarga eléctrica para las personas.



El signo de exclamación dentro de un triángulo equilátero avisa al usuario de la inclusión de instrucciones importantes sobre el funcionamiento y mantenimiento (operaciones de mantenimiento) en el manual de instrucciones o en la documentación suministrada.

Véanse las advertencias en la parte trasera de la unidad:

Esta unidad funciona a 100-240V. Si no piensa utilizarla durante un periodo prolongado, extraiga el cable de la toma de corriente CA.

Asegúrese de que los enchufes estén bien conectados antes de utilizar la unidad.

La unidad no debe exponerse a humedad o lluvia.

La unidad debe colocarse de manera que quede bien ventilada. Evite colocarla cerca de cortinas, en una alfombra o un mueble empotrado, como una estantería, por ejemplo.

No exponga la unidad a fuentes de luz directas o de radiación de calor.

GUÍA DE SOLUCIÓN DE PROBLEMAS

En caso de problemas, consulte primero esta guía en busca de la solución antes de ponerse en contacto con su distribuidor.

LA UNIDAD ENTERA

PROBLEMA	CAUSA	SOLUCIÓN
La unidad no se enciende cuando pulso el interruptor de encendido.	La unidad está desenchufada.	Conecte la unidad al suministro de corriente CA.
No suena.	El funcionamiento no se corresponde con la potencia de la fuente de alimentación.	Seleccione una nueva fuente.
El sonido no es limpio.	La unidad está demasiado cerca de un televisor o de otro electrodoméstico.	Apague el televisor o el electrodoméstico y cambie la unidad de emplazamiento.
La unidad no responde o no se reinicia.	Factores externos, como una ESD (descarga electrostática) pueden afectar a la unidad.	Extraiga el cable conector e interrumpa la alimentación al equipo y vuelva a enchufarlo y a alimentar la unidad transcurrido un minuto.

REPRODUCCIÓN DEL TOCADISCOS

PROBLEMA	CAUSA	SOLUCIÓN
Cuando se reproduce un disco, el sonido no es limpio.	La aguja no está centrada en la posición central.	Sustituya la aguja que está centrada en la posición central.
Cuando se usa el giradiscos durante el tiempo el sonido no es limpio.	La aguja está dañada.	Sustitúyala por una nueva.

SE HAN AÑADIDO ADVERTENCIAS E INFORMACIÓN DE SEGURIDAD ESTÁNDAR

Precauciones de seguridad

ADVERTENCIA: Para reducir el riesgo de incendio o descarga eléctrica, no exponga este aparato a la lluvia o a la humedad.

PRECAUCIÓN: El uso de controles, ajustes o procedimientos distintos a los especificados puede ocasionar una exposición peligrosa a radiación.

INFORMACIÓN DE SEGURIDAD IMPORTANTE

1. Siga y conserve estas instrucciones.
2. Preste atención a todas las advertencias.
3. No use este aparato cerca del agua.
4. Limpie solamente con un paño seco.
5. No bloquee ninguna apertura de ventilación. Use de acuerdo con las instrucciones del fabricante.
6. No use cerca de fuentes de calor, como radiadores, rejillas de aire caliente, estufas u otros aparatos (incluidos amplificadores) que generan calor.
7. Proteja el cable de la corriente para evitar que se pise o que se pellizque especialmente en el conector, en el receptáculo de conexión y en el punto de salida del aparato.
8. Utilice únicamente los acoplamientos/accesorios indicados por el fabricante.
9. Desenchufe este aparato durante tormentas con rayos o cuando no lo utilice durante períodos prolongados.
10. Remita todos los trabajos de revisión a personal del servicio de mantenimiento calificado. Se requieren servicios de revisión cuando el aparato se daña de cualquier modo, como cuando se derrama líquido o cuando caen objetos dentro del aparato, cuando el aparato ha estado expuesto a la lluvia o humedad, cuando no funciona normalmente o cuando se ha caído.
11. Para reducir el riesgo de incendio o descarga eléctrica, no exponga este aparato a la lluvia o la humedad.
12. **PRECAUCIÓN:** Peligro de explosión si la batería no se sustituye de forma correcta. Sustituir solamente con una pila igual o similar.

EXPLICACIÓN RAE



Este símbolo indica que este artículo no se debe tirar a la basura con otros residuos domésticos en ningún lugar de la UE. A fin de prevenir los efectos perjudiciales que la eliminación sin control de los residuos puede tener sobre el medio ambiente o la salud de las personas, le rogamos que los recicle de forma responsable para fomentar la reutilización sostenible de los recursos materiales. Para devolver su dispositivo usado, utilice los sistemas de devolución y recogida o póngase en contacto con la empresa a la que le compró el artículo, la cual lo podrá recoger para que se recicle de forma segura para el medio ambiente.

DIRECTIVA DIRECTIVA RELATIVA A LAS PILAS



Este símbolo indica que las pilas no se deben eliminar con la basura doméstica ya que contienen sustancias que pueden ser perjudiciales para el medio ambiente y la salud. Deshágase de las pilas en los puntos de recogida que existen para ese fin.

ADVERTENCIA: Las pilas (en el mando de control remoto) no se deben exponer a una fuente de calor excesivo, como la luz solar, el fuego o similares.

ADVERTENCIA: NO INGERIR IAS PIIAS, CORRE EI RIESGO DE SUFRIR UNA QUEMADURA QUÍMICA

Este producto lleva una pila de botón. En caso de ingerirla, puede causar serias quemaduras internas que en apenas 2 horas pueden acarrear la muerte. Mantenga las pilas nuevas y usadas alejadas de los niños. Si el compartimento para las pilas no se cierra de forma segura, no utilice el producto y manténgalo alejado de niños. Si sospecha que hayan tragado o metido dentro de su cuerpo las pilas, acuda inmediatamente al médico.

Este aparato es apto para su uso por niños de más de 8 años y personas con capacidades físicas, sensoriales o mentales reducidas o falta de experiencia y de familiarización, si han recibido instrucciones sobre su modo de empleo o si alguien supervisa la utilización que hagan del aparato de forma segura y entendiendo los riesgos que entraña. Este aparato no es un juguete, ni debe tratarse como tal. No permita que niños sin supervisión de adultos se encarguen de su limpieza y mantenimiento.



M A R L E Y

TABLE TOURNANTE STIR IT UP DIRECTIVES POUR LE LECTEUR DE VINYLE

Bienvenue à la Maison de Marley

Nous sommes heureux que vous ayez sélectionné la table tournante Stir It Up pour faire partie de votre expérience musicale. La table tournante Stir It Up s'inspire du design et de la fabrication de notre haut-parleur Get Together BT et des détails rétro des tables tournantes de l'époque de Bob Marley (1960 à 1980). Des formes simples avec des matériaux, un ajustement et un fini riches. Que le naturel brille.

AVANT D'UTILISER

1. Choisissez attentivement le lieu d'installation. Évitez tout endroit exposé à la lumière solaire directe ou à proximité d'une source de chaleur. Évitez également les endroits pouvant subir des vibrations ou une exposition excessive à de la poussière, du froid ou de l'humidité. Évitez d'installer l'appareil à proximité d'une source de bourdonnements, comme un transformateur ou un moteur.
2. N'ouvrez pas l'armoire, cela pourrait endommager les circuits ou encore causer un choc électrique. Si un corps étranger pénètre dans l'ensemble, communiquez avec le service à la clientèle.
3. Assurez-vous de ne pas avoir les mains sales lorsque vous manipulez des vinyles. Ne faites jamais jouer de vinyles dont la surface est fendue.
4. Lorsque vous débranchez l'appareil, tirez sur la fiche, jamais sur le cordon.
5. Pour protéger le stylet, n'oubliez pas de le couvrir avec sa protection blanche après utilisation.
6. Ne tentez pas de nettoyer l'unité à l'aide de solvants chimiques; cela pourrait endommager son fini. Servez-vous d'un chiffon propre et sec.
7. Pour éteindre complètement ce produit, débranchez sa fiche du mur. Assurez-vous de débrancher l'unité si vous ne prévoyez pas l'utiliser pendant longtemps, comme lorsque vous partez en vacances.
8. Conservez ce manuel à un endroit sûr pour toute référence ultérieure.

MONTAGE

1. Sortez toutes les composantes de l'emballage et placez le tout sur une surface stable.
2. Faites passer la courroie dans le bas du plateau de métal. Assurez-vous que la courroie n'est pas tordue. Servez-vous de votre pouce pour étirer la courroie, comme montré sur l'illustration ci-dessous.
3. Inversez le plateau et n'oubliez pas de retenir la courroie. Combinez ensuite la broche et insérez le plateau sur l'unité.
4. Faites passer la courroie retenue par votre pouce dans la colonne de rotation principale (blanche) de l'ensemble triangulaire de colonnes d'engrenages.
5. Placez le tapis de la table tournante sur le plateau. Le montage de l'unité principale est terminé.

REMARQUE : pour démonter la table tournante, attrapez la table et tirez vers le haut.

6. Retirez le contrepois et placez-le sur le bras de lecture à l'endroit approprié (voir l'illustration).
7. Retirez l'adaptateur de 45 tr/min et placez-le à l'endroit prévu, dans le coin supérieur droit du lecteur de vinyle.



METTRE VOTRE TABLE STIR IT UP EN MARCHÉ

Votre table tournante stir it up fonctionne avec une source d'alimentation c.A. Et se branche dans une prise murale régulière.

1. Insérez le cordon d'alimentation c.A. Dans la stir it up.
2. Branchez la fiche à l'autre bout du cordon dans la prise murale appropriée

UTILISATION FACILE

1. Branchez l'alimentation c.A. Dans une fiche domestique.
2. Faites tourner le bouton off/33/45 de l'unité et sélectionnez la vitesse en fonction du vinyle à jouer.
3. Mettez un vinyle sur la table tournante. Rappelez-vous d'utiliser l'adaptateur de 45 tr/min se trouvant dans le coin supérieur droit si vous utilisez un vinyle de 45 tours.
4. Soulevez et déplacez le bras de lecture de la table tournante. Placez le bras de lecture au bord du vinyle, qui commencera à jouer.
5. Montez la pesée et placez-la à l'endroit approprié. La pesée sert à ajuster la pression de l'aiguille. Une pression excessive entraînera la déformation du son; une pression insuffisante fera en sorte que les pistes seront sautées facilement. Ajustez la pesée en la tournant dans le sens horaire ou antihoraire.

REMARQUE :

6. Pour faire pause ou arrêter, vous devez soulever et remettre manuellement le bras de lecture sur son support.
7. Lorsque le bras de lecture atteint la fin du vinyle, le bras et la rotation cessent. Soulevez et replacez manuellement le bras de lecture sur son support.

BRANCHEMENTS

MISE EN GARDE : Coupez l'alimentation vers l'équipement avant de procéder aux branchements. Lisez les directives de chaque composante avec laquelle vous voulez utiliser cette unité. Assurez-vous de bien insérer chaque fiche. Pour prévenir tout bourdonnement et tout bruit, évitez de rassembler les câbles d'interconnexion des signaux avec le cordon d'alimentation c.A.

FONCTIONNEMENT AVEC SORTIE LINE OUT

1. Mettez l'interrupteur pre-amp off/on en position on.
2. Branchez une extrémité du câble rca (compris) dans le port line out se trouvant à l'arrière de l'unité. Assurez-vous qu'il s'agit de la bonne couleur de port.
3. Branchez l'autre extrémité du câble dans la fiche line in de votre amplificateur.
4. Mettez l'unité et l'amplificateur auquel elle est branchée en marche.
5. Ajustez le volume de l'amplificateur.

FONCTIONNEMENT AVEC SORTIE PHONO OUT

1. Mettez l'interrupteur pre-amp off/on en position off.
2. Branchez une extrémité du câble (compris) dans le port phono out se trouvant à l'arrière de l'unité. Assurez-vous qu'il s'agit de la bonne couleur de port.
3. Branchez l'autre extrémité du câble dans la fiche phono in de votre amplificateur.
4. Mettez l'unité et l'amplificateur auquel elle est branchée en marche.
5. Ajustez le volume de votre amplificateur.

FONCTIONNE AVEC CASQUE D'ÉCOUTE

1. Branchez un casque d'écoute (non compris) dans le port pour casque d'écoute se trouvant à l'avant de l'unité.

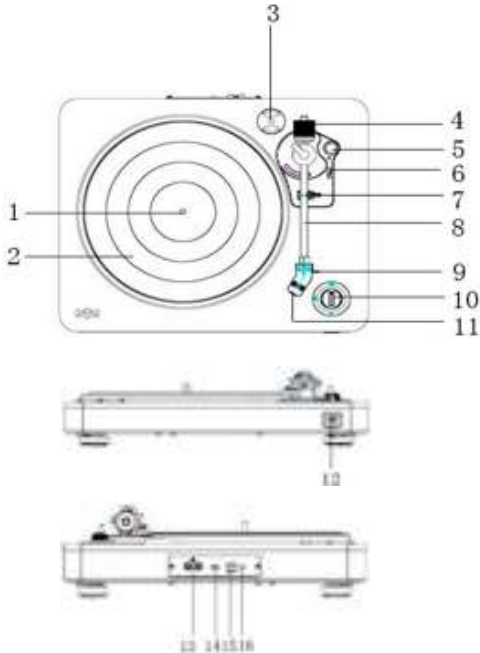
REMARQUE: ne mettez jamais un casque d'écoute sur votre tête avant de l'avoir branché.

FONCTION USB-PC, LOGICIEL AUDACITY

Des directives complètes pour le fonctionnement usb-pc du logiciel audacity sont disponible au <http://www.audacityteam.org/download/>

EMPLACEMENT DES COMMANDES

1. Broche
2. Table tournante
3. Adaptateur de 45 tr/min
4. Pesée
5. Bouton anti-patinage
6. Levier du bras de lecture
7. Support du bras de lecture
8. Bras de lecture
9. Stylet
10. Bouton off/33/45
11. Protection de l'aiguille
12. Port pour casque d'écoute
13. Ports pour sortie rca
14. Interrupteur pre-amp off/on
15. Prise usb
16. Prise d'alimentation c.A.



ÉCOUTER DES VINYLES

1. Branchez un amplificateur externe.
2. Placez un vinyle sur la table tournante, au-dessus de la broche centrale. Placez l'adaptateur de disque sur la broche centrale si vous faites jouer un vinyle de 45 tours.
3. Réglez le sélecteur de vitesse à 33 ou 45 tours, selon le vinyle utilisé.
4. Libérez la pince du bras de lecture et retirez la protection d'aiguille du stylet.
5. Soulevez le bras de lecture avec le levier.
6. Déplacez le bras de lecture au début du vinyle ou au début d'une piste en particulier.
7. Abaissez doucement le bras sur le vinyle avec le levier afin de commencer la lecture.
8. Lorsque le vinyle a terminé de jouer, le bras cesse automatiquement de fonctionner. Pour arrêter manuellement la lecture, soulevez le bras du vinyle et replacez-le sur son support.

Remarques :

- Retirez la protection d'aiguille avant de procéder à l'équilibrage du bras de lecture.
- Tenez le bras de lecture si vous voulez faire un ajustement ou une quelconque action afin de le protéger.
- N'essayez pas d'ajuster la pesée tout en faisant jouer un vinyle, cela pourrait briser l'aiguille et égratigner le vinyle.
- Fixez le bras de lecture avant de transporter la table tournante afin de protéger l'aiguille.
- Retirez la pesée avant de transporter la table tournante pour éviter de briser ou d'endommager l'unité.
- N'arrêtez pas manuellement la rotation du plateau. Déplacer ou secouer la table tournante sans d'abord fixer le bras de lecture à sa pince pourrait endommager le bras de lecture.

ANTI-PATINAGE

Normalement, l'anti-patinage devrait être réglé au minimum. L'anti-patinage compense la force exercée vers le centre qui augmente à mesure que le stylet arrive au centre du vinyle. Si le stylet fait trop de sauts lorsqu'il arrive à la broche centrale, essayez d'augmenter l'anti-patinage progressivement, selon les incréments indiqués sur le bouton. Commencez par ajouter un incrément de 1, faites l'essai de la performance et augmentez le réglage si cela est insuffisant. Continuez jusqu'à obtenir le réglage approprié.

REMARQUE: pendant l'ajustement du bouton d'anti-patinage, ne touchez pas au bras de lecture et à la pesée pour éviter d'endommager le stylet (aiguille).

GUIDE DE DÉPANNAGE

En cas de problème avec l'unité, consultez le guide de dépannage qui suit et voyez si vous pouvez régler le problème vous-même avant d'appeler votre détaillant.

TOUTE L'UNITÉ

PROBLÈME	CAUSE	SOLUTION
L'unité ne se met pas en marche sur l'activation de l'interrupteur d'alimentation.	L'unité est débranchée.	Branchez l'unité à une source d'alimentation c.A.
Aucun son	l'entrée de l'appareil ne correspond pas à celle de la source.	Sélectionnez une autre source.
Le son est déformé.	L'unité est trop proche d'une télé ou d'un autre appareil similaire.	Éteignez la télé ou l'appareil impliqué et déplacez l'unité.
L'unité ne répond pas ou il est impossible de la réinitialiser.	Des facteurs externes, comme des des (décharges électrostatiques) affectent l'unité.	Débranchez le cordon d'alimentation et tout dispositif d'alimentation, laissez passer une minute puis rebranchez l'unité.

LECTEUR PHONO

PROBLÈME	CAUSE	SOLUTION
le son est déformé lors de la lecture d'un vinyle.	Le stylet n'est pas placé au centre.	Remplacez le stylet, qui se trouve en plein centre.
Le son est déformé après un certain temps.	Le stylet est endommagé.	Veuillez changer le stylet.

MESURES DE SÉCURITÉ

AVERTISSEMENT: Pour réduire le risque d'incendie ou de choc électrique, ne pas exposer cet appareil à la pluie ou à l'humidité.

MISE EN GARDE: L'utilisation de procédures de commande, d'ajustement ou de performance autres que celles spécifiées peut entraîner une exposition à des radiations nocives.

MISE EN GARDE

RISQUE DE CHOC ÉLECTRIQUE - NE PAS OUVRIR!

Pour réduire le risque de choc électrique, ne pas retirer le couvercle ni l'arrière de l'unité.

Il n'y a aucune pièce pouvant être réparée par l'utilisateur à l'intérieur. Se reporter à un personnel de service qualifié.



Le symbole d'éclair avec une flèche au sein d'un triangle équilatéral vise à alerter l'utilisateur de la présence d'une « tension dangereuse et non isolée à l'intérieur du boîtier du produit, tension pouvant être suffisamment forte pour représenter un risque de choc électrique pour une personne.



Le point d'exclamation au sein d'un triangle équilatéral vise à alerter l'utilisateur de la présence de directives de fonctionnement et d'entretien (réparation) dans la littérature accompagnant l'appareil

(Voir les étiquettes à l'endos de l'unité).

Cette unité fonctionne sur une tension de 100 - 240 v. S'il est prévu que l'unité ne soit pas utilisée pendant une longue période, débranchez-la de sa source d'alimentation c.A.

Assurez-vous que tous les branchements sont corrects avant de faire fonctionner l'unité.

Cette unité ne doit pas être exposée à l'humidité ou à la pluie.

Cette unité doit être placée de manière à être adéquatement aérée. Évitez de la placer, par exemple, près de rideaux, sur un tapis ou dans une enceinte, comme une bibliothèque.

N'exposez pas cette unité à la lumière directe du soleil ni à des sources de chaleur radiative.

Toujours insérer les piles correctement concernant les polarités (+ et -) marquées sur la pile et l'équipement. Ne pas laisser les enfants effectuer de remplacement de pile sans la surveillance d'un adulte. Maintenir les piles hors de portée des enfants. En cas d'ingestion d'un élément ou d'une pile, il convient que la personne concernée consulte rapidement un médecin. Ne pas mettre au rebut les piles dans le feu. Ne pas charger les piles. Ne pas court-circuiter les piles. Il convient d'enlever immédiatement les piles mortes de l'équipement et de les mettre convenablement au rebut. Ne pas déformer les piles. Information à conserver avec la notice. Ne pas mélanger des piles anciennes et neuves ou des piles de différents types ou marques. Enlever les piles de l'équipement s'il ne doit pas être utilisé pendant une période de temps prolongée, sauf si l'on prévoit des cas d'urgence. Ne pas chauffer les piles. Ne pas forcer la décharge des piles.

CONSIGNES IMPORTANTES DE SÉCURITÉ

1. Suivez ces instructions et conservez-les.
2. Lisez attentivement tous les avertissements.
3. N'utilisez pas cet appareil près de l'eau.
4. Nettoyez uniquement à l'aide d'un linge sec.
5. Ne bloquez pas les ouvertures d'aération. Installez l'appareil conformément aux instructions du fabricant.
6. N'installez pas l'appareil près d'une source de chaleur comme un radiateur, un registre de chaleur, une cuisinière ou autre appareil dégageant de la chaleur (y compris un amplificateur).
7. Protégez le câble d'alimentation et évitez que l'on marche dessus ou qu'il soit pincé, surtout au niveau de la prise, du réceptacle pratique et au point de sortie de l'appareil.
8. Utilisez uniquement les accessoires spécifiés par le fabricant.
9. Débranchez cet appareil lors d'un orage avec éclairs ou lorsque vous ne l'utilisez pas pendant une longue période.

10. Pour réparation, demandez les services d'un employé qualifié. L'appareil doit être réparé s'il a été endommagé d'une quelconque façon, par exemple si le câble ou la prise d'alimentation est endommagé, du liquide a été renversé sur l'appareil, des objets sont tombés dans l'appareil, l'appareil a été exposé à la pluie ou à un niveau d'humidité élevé, il ne fonctionne pas normalement, ou l'utilisateur l'a échappé.
11. Afin de diminuer les risques de décharge électrique ou d'incendie, n'exposez pas cet appareil à la pluie ou à un niveau élevé d'humidité.
12. **MISE EN GARDE:** Risque d'explosion si la pile est installée incorrectement. Remplacez la pile uniquement avec une pile identique ou équivalente.

EXPLICATION WEEE

Le symbole indique que le produit ne doit pas être éliminé avec les autres déchets ménagers dans toute l'Union Européenne. L'élimination incontrôlée des déchets pouvant porter préjudice à l'environnement ou à la santé humaine, veuillez le recycler de façon responsable. Vous favoriserez ainsi la réutilisation



durable des ressources matérielles. Pour renvoyer votre appareil usage, priez d'utiliser le système de renvoi et collection ou contacter le revendeur ou le produit a été acheté. Ils peuvent se débarrasser de ce produit afin qu'il soit recyclé tout en respectant l'environnement.

DIRECTIVE RELATIVE AUX PILES ET AUX ACCUMULATEURS

Ce symbole indique que les piles et les accumulateurs ne doivent pas être jetés avec les déchets ménagers car ils contiennent des substances pouvant être préjudiciables pour la santé humaine et l'environnement. Veuillez utiliser les points de collecte mis à disposition pour vous débarrasser des piles et accumulateurs usagés.



AVERTISSEMENT

La pile (dans la télécommande) ne doit pas être exposée à une chaleur excessive comme le soleil, un feu, etc.

AVERTISSEMENT - NE PAS AVAIIER IA PIIE, RISQUE DE BRÛTURE CHIMIQUE.

Ce produit contient une pile-bouton. L'ingestion de cette pile-bouton peut provoquer de graves brûlures internes en l'espace de 2 heures seulement et peut s'avérer mortelle. Tenez les piles neuves et usées hors de portée des enfants. Si le compartiment à pile ne se ferme pas correctement, cessez d'utiliser le produit et tenez-le hors de portée des enfants. Si vous pensez qu'une pile a pu être avalée ou se trouver dans une partie du corps, consultez immédiatement un médecin.

DÉCLARATION DE LA FCC

Cet appareil a été testé et respecte les limites de la Classe B des appareils numériques, conformément à la Partie 15 des règles de la FCC. Ces limites ont été mises en place afin d'offrir une protection raisonnable contre les interférences dans une installation résidentielle. Cet appareil génère, utilise et peut émettre de l'énergie radioélectrique et, s'il n'est pas installé et utilisé conformément aux instructions,

l'appareil peut causer de l'interférence aux communications radio. Par contre, il n'y a pas de garantie qu'aucune interférence n'aura lieu dans une résidence particulière. Si cet appareil interfère avec la réception de la radio ou de la télévision, ce qui peut être déterminé en allumant et éteignant l'appareil, nous encourageons l'utilisateur de tenter de rectifier le problème en suivant une ou plusieurs des mesures suivantes :

- Réorientez ou déplacez l'antenne réceptrice.
- Augmentez l'espace séparant l'appareil et le récepteur.
- Branchez l'appareil à une prise se trouvant sur un circuit différent de celui utilisé par le récepteur.
- Consultez un vendeur ou un technicien de radio et de téléviseur spécialisé pour obtenir de l'aide.

DÉCLARATION DE LA FCC SUR L'EXPOSITION AUX IRRADIATIONS

Cet appareil respecte les limites d'exposition aux irradiations de la FCC établies pour un environnement non contrôlé. Cet appareil est conforme à la Partie 15 des règles de la FCC. Le fonctionnement est soumis à deux conditions :

- (1) l'appareil ne doit pas causer d'interférence,
- (2) l'appareil doit tolérer l'éventuelle interférence, y compris de l'interférence pouvant nuire à son fonctionnement.

MISE EN GARDE

Toute modification n'ayant pas été expressément approuvée par la partie responsable de la conformité peut annuler le droit de l'utilisateur d'utiliser l'équipement.

Cet appareil peut être utilisé par des enfants de plus de 8 ans et des personnes aux capacités physiques, sensorielles ou mentales limitées, ou manquant d'expérience et de connaissances, à condition de recevoir une supervision ou des consignes concernant l'utilisation en toute sécurité de l'appareil et de comprendre les risques qu'il présente. Il est interdit de laisser les enfants jouer avec l'appareil. Il est interdit de laisser aux enfants le soin de procéder au nettoyage et à l'entretien de l'appareil sans supervision.



M A R L E Y

STIR IT UP SCHALLPLATTENSPIELER PLATTENSPIELER-GEBRAUCHSANLEITUNG

House of Marley heißt sie willkommen

Wir freuen uns, dass Sie den Stir It Up Schallplattenspieler für Ihr Musikerlebnis gewählt haben. Design und Material des Stir It Up sind an unserem Get Together BT Lautsprecher und den Retro-Design-Details von Plattenspielern aus der Bob-Marley-Ära (1960-1980) inspiriert. Schlichte Formen mit hochwertigen Materialien, Formen und Oberflächenbehandlungen. Lassen Sie die Materialien in ihrem natürlichen Glanz erstrahlen.

VOR DER ERSTEN VERWENDUNG

1. Wählen Sie die Installationsumgebung sorgfältig aus. Keiner direkten Sonneneinstrahlung aussetzen oder in die Nähe einer Wärmequelle stellen. Auch Standorte, die Vibrationen, übermäßigen Staub, Kälte oder Feuchtigkeit aufweisen, sind zu meiden. Von jeglichen Quellen fernhalten, die ein Brummen verursachen, wie Transformatoren oder Motoren.
2. Nicht das Gehäuse öffnen, da dies die Elektronik beschädigen oder zu einem elektrischen Schlag führen kann. Sollte ein Fremdkörper in das Gerät eingedrungen sein, kontaktieren Sie bitte den Kundenservice.
3. Achten Sie darauf, die Schallplatte nicht mit schmutzigen Fingern zu berühren. Spielen Sie niemals eine Schallplatte ab, die einen Riss auf der Oberfläche aufweist.
4. Wenn Sie den Netzstecker aus der Steckdose ziehen, immer direkt am Stecker, niemals am Kabel ziehen.
5. Um die Abtastnadel zu schützen, vergessen Sie nicht, diese nach Gebrauch durch die weiße Nadelabdeckung zu schützen.
6. Versuchen Sie nicht, das Gerät mit chemischen Lösungsmitteln zu reinigen, da diese die Oberfläche beschädigen könnten. Verwenden Sie ein sauberes, trockenes Tuch.
7. Um das Gerät komplett auszuschalten, ziehen Sie bitte den Netzstecker aus der Steckdose. Achten Sie darauf, den Netzstecker aus der Steckdose zu ziehen, wenn Sie das Gerät über einen längeren Zeitraum nicht benutzen, etwa vor einem Urlaub.
8. Bewahren Sie diese Gebrauchsanleitung für späteres Nachschlagen sicher auf.

ZUSAMMENBAU

1. Nehmen Sie alle Komponenten aus der Verpackung und stellen Sie das Produkt auf einen stabilen Untergrund.
2. Den Riemen um die Unterseite des Plattentellers legen. Achten Sie darauf, dass der Riemen nicht verdreht ist. Den Riemen mit dem Daumen dehnen, wie auf der Abbildung dargestellt ist.
3. Den Plattenteller wenden und dabei nicht vergessen, den Riemen zu halten. Dann den Plattenteller über den Mitteldorn halten und in das Gerät einsetzen.
4. Den Riemen mit dem Daumen halten und um die (weiße) Haupt-Riemen-Antriebs-scheibe der dreiseitigen Anordnung aus Antriebselementen legen.
5. Legen Sie die Gummimatte auf den Plattenteller. Damit ist der Zusammenbau vollendet.

HINWEIS: Um den Plattenspieler zu demontieren, den Plattenteller direkt greifen und nach oben ziehen.

6. Entnehmen Sie das Gegengewicht und platzieren Sie es in der richtigen Position auf dem Tonarm (siehe Abbildung).
7. Entnehmen Sie den 45-er Adapter und platzieren Sie ihn an seinem neuen Standort, in der oberen rechten Ecke des Plattenspielers.



DIE STROMVERSORGUNG IHRES STIR IT UP SCHALLPLATTENSPIELERS

Ihr Stir It Up Schallplattenspieler nutzt eine AC-Stromversorgung und wird über eine normale Netzsteckdose betrieben.

1. Stecken Sie das Netzteil in den Stir It Up.
2. Stecken Sie den Netzstecker in eine geeignete Netzsteckdose.

BENUTZERFREUNDLICH

1. Schließen Sie den Netzstecker an die Steckdose an.
2. Drehen Sie den OFF / 33/45 Regler, um das Gerät einzuschalten und wählen Sie die Geschwindigkeit gemäß der zu spielenden Schallplatte.
3. Legen Sie eine Schallplatte auf den Plattenteller. Denken Sie daran, den 45-er Adapter in der rechten oberen Ecke zu verwenden, wenn Sie eine 45-er Schallplatte abspielen.
4. Den Tonarm anheben und zum Plattenteller bewegen. Platzieren Sie den Tonarm auf dem Rand der Schallplatte, woraufhin diese zu spielen beginnt.
5. Montieren Sie das Balancegewicht und positionieren es in der korrekten Position.

HINWEIS: Das Balancegewicht ist dafür da, den Druck der Nadel einzustellen. Bei zu hohem Druck wird der Ton verzerrt; wenn der Druck zu gering ausfällt, werden vermutlich Titel übersprungen. Die Einstellung des Balancegewichts erfolgt durch Drehen desselben im Uhrzeigersinn bzw. entgegen des Uhrzeigersinnes.

6. Zum Unterbrechen oder Beenden des Abspielens müssen Sie den Tonarm manuell anheben und zurück auf die Tonarmstütze legen.
7. Sobald das Ende der Schallplatte erreicht ist, werden die Rotation und der Tonarm gestoppt. Tonarm manuell anheben und zurück auf die Tonarmstütze legen.

ANSCHLÜSSE

ACHTUNG: Schalten Sie die Stromversorgung aller Geräte aus, bevor Sie Verbindungen zu anderen Geräten herstellen. Lesen Sie zunächst die Gebrauchsanleitung der einzelnen Komponenten, die Sie mit diesem Gerät verwenden möchten. Achten Sie darauf, jeden Stecker fest einzustecken. Um eventuelles Brummen und Geräusche zu vermeiden, die Verbindungskabel möglichst nicht zusammen mit dem Netzkabel bündeln.

LINE-OUT-BETRIEB

1. Schalten Sie den VORVERSTÄRKER-/ OFF/ON Schalter auf „ON“.
2. Stecken Sie das RCA-Kabel (im Lieferumfang enthalten) in die LINE OUT Buchse an der Rückseite des Geräts. Achten Sie darauf, dass die Farbe mit der Buchse übereinstimmt.
3. Stecken Sie das andere Ende des Kabels in die LINE IN Buchse Ihrer Heim-Verstärker-Anlage.
4. Schalten Sie das Gerät und die angeschlossene Verstärker-Anlage ein.
5. Stellen Sie die Lautstärke an der Verstärker-Anlage ein.

BETRIEB MIT PHONO-OUT

1. Schalten Sie den VORVERSTÄRKER-/ OFF/ON Schalter auf „OFF“.
2. Stecken Sie das RCA-Kabel (im Lieferumfang enthalten) in die PHONO OUT Buchse an der Rückseite des Geräts. Achten Sie darauf, dass die Farbe mit der Buchse übereinstimmt.
3. Stecken Sie das andere Ende des Kabels in die PHONO IN Buchse Ihrer Heim-Verstärker-Anlage.
4. Schalten Sie das Gerät und die angeschlossene Verstärker-Anlage ein.
5. Stellen Sie die Lautstärke an Ihrer Verstärker-Anlage ein.

KOPFHÖRER-BETRIEB

1. Schließen Sie die Kopfhörer (nicht im Lieferumfang enthalten) an den Kopfhörer-Anschluss auf der Vorderseite des Geräts an.

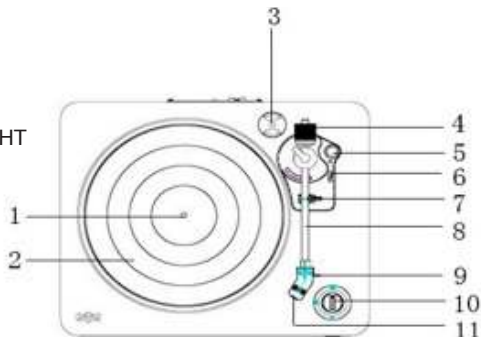
HINWEIS: Niemals die Kopfhörer aufsetzen, bevor der Kopfhörer-Stecker angeschlossen ist.

USB-PC-FUNKTION, AUDACITY SOFTWARE

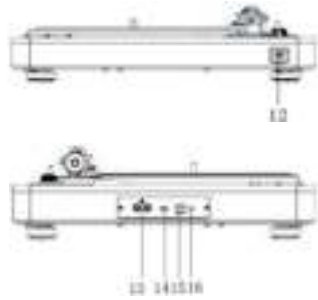
Die ausführliche Anleitung für die USB-PC-Funktion der Audacity Software finden Sie unter <http://www.audacityteam.org/download/>

LAGE DER BEDIENUNGSELEMENTE

1. MITTELDORN
2. PLATTENTELLER
3. 45-er ADAPTER
4. TONARM-BALANCEGEWICHT
5. ANTISKATING-REGLER
6. TONARM LIFT HEBEL
7. TONARMSTÜTZE
8. TONARM



9. ABTASTNADEL
10. OFF / 33/45 REGLER
11. NADELABDECKUNG
12. Kopfhörer-Anschluss
13. RCA-AUSGÄNGE
14. VORVERSTÄRKER-/ OFF/ON SCHALTER
15. USB-ANSCHLUSS
16. AC-STROMANSCHLUSS



SCHALLPLATTEN HÖREN

1. Schließen Sie die externe Verstärker-Anlage an.
2. Die Platte über dem Mitteldorn auf den Plattenteller legen. Für 45-er Platten den EP-Adapter über dem Mitteldorn platzieren.
3. Stellen Sie den Geschwindigkeitsumschalter auf 33 oder 45 Umdrehungen pro Minute gemäß der abzuspielenden Schallplatte.
4. Lösen Sie die Tonarm-Klemme und entfernen Sie die Nadelabdeckung von der Abtastnadel.
5. Heben Sie den Tonarm mit dem Tonarm-Lifthebel an.
6. Bewegen Sie den Tonarm an den Schallplattenanfang oder an den Anfang eines bestimmten Titels.
7. Vorsichtig den Tonarm mit dem Lifthebel auf die Platte herablassen, damit diese zu spielen beginnt.
8. Wenn die Platte an ihrem Ende ankommt, stoppt der Tonarm automatisch. Um manuell zu stoppen, heben Sie den Tonarm an und führen ihn in seine Ausgangsposition zurück.

ANMERKUNGEN:

- Die Nadelabdeckung entfernen , bevor der Tonarm bewegt wird.
- Halten Sie den Tonarm, wann immer Sie eine Einstellung vornehmen, um diesen zu schützen.
- Versuchen Sie nicht, das Balancegewicht einzustellen, während eine Platte abgespielt wird, da dies die Nadel brechen und Kratzer auf der Platte verursachen könnte.
- Vor jedem Transport den Tonarm befestigen , um die Nadel zu schützen.
- Entfernen Sie das Balancegewicht vor jedem Transport, um Transportschäden oder dem Zerschlagen des Gerätes vorzubeugen.
- Die Platte nicht manuell stoppen oder drehen. Das Verschieben oder Rütteln des Plattenspielers, ohne die Tonarm-Klemme zu sichern, kann zu einer Beschädigung des Tonarms führen.

ANTISKATING

Im Normalfall sollte der Antiskating-Regler auf seinen minimalen Wert eingestellt sein. Antiskate gleicht die nach innen gerichteten Kräfte aus, die bei bestimmten Tonabnehmern auftreten, wenn sich die Nadel der Plattenmitte nähert. Falls der Plattenteller übermäßig viel überspringt, wenn sich die Nadel dem Mitteldorn nähert, versuchen Sie, das Antiskating in den angegebenen Schritten zu erhöhen. Beginnen Sie mit einer Erhöhung um 1, testen Sie die Leistung, dann erhöhen sie weiter und so fort.

HINWEIS: Während der Einstellung des Antiskating-Reglers den Tonarm und das Balancegewicht nicht betätigen, um Beschädigungen der Abtastnadel zu vermeiden.

ANLEITUNG ZUR FEHLERBEHEBUNG

Bei Problemen mit dem Gerät schauen Sie bitte zunächst in der nachstehenden Anleitung nach, ob Sie das Problem eigenständig beheben können, bevor Sie Ihren Händler kontaktieren.

DAS GESAMTE GERÄT

PROBLEM	URSACHE	LÖSUNG
Das Gerät funktioniert nicht, obwohl der Einschaltknopf betätigt wurde.	Das Gerät ist nicht angeschlossen.	Schließen Sie das Gerät an die Stromversorgung an.
Kein Ton	Die aktuelle Eingabe stimmt nicht mit der Eingabequelle überein.	Quelle neu wählen.
Der Ton ist geräuschvoll.	Das Gerät befindet sich zu nah an einem Fernsehgerät oder einem ähnlichen Apparat.	Schalten Sie das Fernsehgerät oder andere Apparate aus und stellen das Gerät an einem anderen Ort auf.
Das Gerät reagiert nicht oder das Zurücksetzen funktioniert nicht.	Externe Faktoren wie ESD (elektrostatische Entladung) haben Auswirkungen auf das Gerät.	Entfernen Sie das Netzkabel und alle Netzteile, und schließen das Gerät nach einer Minute erneut an.

PHONOGERÄT

PROBLEM	URSACHE	LÖSUNG
Der Ton ist geräuschvoll, wenn die Platte abgespielt wird.	Die Nadel ist nicht mittig platziert.	Die Nadel erneut mittig platzieren.
Der Ton ist geräuschvoll, wenn das Gerät ein Weile in Betrieb war.	Die Nadel ist beschädigt.	Bitte erneuern Sie die Abtastnadel.

SICHERHEITSVORKEHRUNGEN

ACHTUNG: Dieses Gerät vor Regen oder Feuchtigkeit schützen, um das Risiko von Feuer oder Stromschlag zu verringern.

VORSICHT: Die Verwendung von Bedienelementen, Einstellungen oder die Durchführung von Maßnahmen, welche nicht in der Anleitung angegeben sind, können gesundheitgefährdende Strahlenbelastungen zur Folge haben.

VORSICHT: NICHT ÖFFNEN - GEFAHR EINES ELEKTRISCHEN SCHLAGS!

Um die Gefahr eines elektrischen Schlags zu verringern, darf weder die Abdeckung noch die Rückseite entfernt werden.

Keine vom Benutzer zu wartenden internen Teile vorhanden. Überlassen Sie die Wartung qualifiziertem Fachpersonal.



Das Blitzsymbol mit Pfeilspitze in einem gleichseitigen Dreieck soll den Benutzer auf das Vorhandensein von nicht isolierter „gefährlicher Spannung“ im Gehäuse des Produkts hinweisen, welche stark genug sein kann, um einen für Personen gefährlichen elektrischen Schlag auszulösen.



Das Ausrufezeichen in einem gleichseitigen Dreieck soll den Benutzer auf wichtige Bedienungs- und Wartungsanweisungen in dieser Bedienungsanleitung aufmerksam machen, welche dem Gerät beiliegt.

(Siehe Markierungen auf der Rückseite des Gerätes.)

Dieses Gerät funktioniert mit 100 - 240v. Wenn das Gerät für längere Zeit nicht benutzt wird, den Netzstecker aus der Steckdose ziehen.

Stellen Sie sicher, dass alle Verbindungsanschlüsse vor der Inbetriebnahme des Geräts vorgenommen werden.

Dieses Gerät darf nicht Regen oder Feuchtigkeit ausgesetzt werden.

Dieses Gerät sollte so aufgestellt werden, dass es angemessen belüftet wird. Vermeiden Sie Standorte wie in der Nähe von Vorhängen, auf dem Teppich oder in Einbau-Installationen wie einem Bücherregal.

Setzen Sie das Gerät keiner direkten Sonneneinstrahlung oder Wärmequellen aus.

WICHTIGE SICHERHEITSVORSCHRIFTEN

1. Diese Vorschriften befolgen und aufbewahren.
2. Alle Warnhinweise beachten.
3. Dieses Gerät nicht in der Nähe von Wasser verwenden.
4. Nur mit einem trockenen Tuch reinigen.
5. Lüftungsöffnungen freihalten. Entsprechend den Anweisungen des Herstellers installieren.
6. Nicht in der Nähe von Wärmequellen, z. B. Heizkörpern, Herden oder anderen Geräten (einschließlich Verstärkern), die Wärme erzeugen, installieren.
7. Schützen Sie das Netzkabel vor Kabelbruch, vor allem am Stecker, an Mehrfachsteckdosen und dem Punkt, wo es aus dem Gerät kommt.
8. Verwenden Sie nur Zubehör, das vom Hersteller empfohlen wurde.
9. Ziehen Sie dieses Gerät bei Gewitter oder wenn Sie es längere Zeit nicht verwenden aus der Steckdose.
10. Überlassen Sie die Wartung qualifiziertem Fachpersonal. Wartung ist erforderlich, wenn das Gerät auf irgend eine Weise beschädigt wurde, z. B. wenn Netzkabel oder Netzstecker beschädigt sind, Flüssigkeiten verschüttet wurden oder Objekte in das Gerät gefallen sind, das Gerät Regen oder Feuchtigkeit ausgesetzt war, nicht normal funktioniert oder fallen gelassen wurde.
11. Dieses Gerät vor Regen oder Feuchtigkeit schützen, um das Risiko von Feuer oder Stromschlag zu verringern.
12. **VORSICHT:** Explosionsgefahr, wenn die Batterie nicht korrekt ersetzt wird. Ersetzen Sie die Batterie nur mit demselben oder einem gleichwertigen Typ.

WEEE-ERKLÄRUNG



Diese Kennzeichnung weist darauf hin, dass dieses Produkt innerhalb der EU nicht mit anderem Hausmüll entsorgt werden soll. Damit durch unkontrollierte Abfallentsorgung verursachte mögliche Umweltoder Gesundheitsschaden verhindert werden können, entsorgen Sie dieses Produkt bitte ordnungsgemäß und fordern Sie damit eine nachhaltige

Wiederverwendung der Rohstoffe. Verwenden Sie zur Rückgabe Ihres benutzten Geräts bitte für die Entsorgung eingerichtete Rückgabe- und Sammelsysteme oder wenden Sie sich an den Händler, bei dem Sie das Produkt kauften. Auf diese Weise kann ein sicheres und umweltfreundliches Recycling gewährleistet werden.

BATTERIE-RICHTLINIE



Dieses Symbol weist darauf hin, dass die Batterien nicht mit dem gewöhnlichen Hausmüll entsorgt werden dürfen, da sie Stoffe enthalten, die sich auf Umwelt und Gesundheit schädlich auswirken können. Entsorgen Sie die Batterien bitte an den hierfür vorgesehenen Sammelstellen.

ACHTUNG

Die Batterie (in der Fernbedienung) sollte niemals extremer Hitze ausgesetzt werden, z. B. Feuer, direkter Sonneneinstrahlung u. ä.

**WARNUNG: BITTE KEINE BATTERIEN VERWENDEN UND EINSETZEN,
VERÄTZUNGSGEFAHR!**

Dieses Produkt enthält eine Knopfzellen-Batterie. Wenn die Knopfzellen-Batterie verschluckt wird, kann es schwere innere Verbrennungen in nur 2 Stunden verursachen und zum Tod führen. Bewahren Sie neue und gebrauchte Batterien sicher von Kindern auf. Wenn das Batteriefach nicht sicher geschlossen ist, halten Sie das Produkt sicher von Kindern fern. Suchen Sie unbedingt bei Verschlucken von Batterien umgehend einen Arzt auf!

Dieses Gerät kann von Kindern ab dem Alter von 8 Jahren und darüber verwendet werden und von Personen mit eingeschränkten physischen, sensorischen oder psychischen Kapazitäten oder fehlender Erfahrung und Kenntnissen, wenn diese in der Verwendung des Gerätes unterwiesen wurden, auf sichere Art und Weise beaufsichtigt werden und ein Verständnis für die mit der Verwendung verbundenen Gefahren haben. Kinder dürfen nicht mit dem Gerät spielen. Reinigung und Pflege sollte nicht ohne Aufsicht von Kindern durchgeführt werden.



M A R L E Y

GIRADISCHI STIR IT UP ISTRUZIONI PER IL GIRADISCHI

Benvenuti alla House of Marley

È un onore per noi sapere che avete scelto il Giradischi Stir It Up per arricchire la vostra esperienza musicale. Il giradischi Stir It Up vanta il design e i componenti del nostro altoparlante BT Get Together oltre ai dettagli retrò dei giradischi tipici dell'era Bob Marley (1960-1980). Forme semplici con componenti, attacchi e finiture di qualità. Che i componenti naturali risplendano.

PRIMA DELL'USO

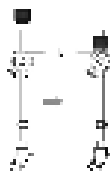
1. Scegliere con cura la posizione in cui installare l'unità. Evitare di posizionarla alla luce diretta del sole o vicino a una fonte di calore. Evitare inoltre posizioni soggette a vibrazioni e a polvere, freddo o umidità eccessivi. Tenere lontano da fonti di rumore di sottofondo, come trasformatori o motori.
2. Non aprire la base poiché ciò potrebbe danneggiare i circuiti o esser causa di scosse elettriche. In caso si introduca un corpo estraneo nell'unità, contattare il Servizio Clienti.
3. Assicurarsi di toccare i dischi esclusivamente con le dita pulite. Non riprodurre mai un disco che presenta crepature.
4. Per estrarre la spina dalla presa a muro, tirare afferrando direttamente la presa – mai il cavo.
5. Per salvaguardare la puntina, dopo l'uso non dimenticare di applicare il cappuccio protettivo.
6. Non pulire l'unità con solventi chimici poiché potrebbero danneggiare la finitura. Utilizzare un panno pulito e asciutto.
7. Per scollegare completamente l'unità dalla corrente elettrica, estrarre il cavo di alimentazione dalla presa a muro. Assicurarsi di scollegare l'unità dalla corrente se non si intende utilizzarla per un periodo di tempo prolungato (per es., una vacanza).
8. Custodire il presente manuale in un luogo sicuro per riferimento futuro.

ASSEMBLAGGIO

1. Estrarre tutti i componenti dalla confezione e quindi posizionare il prodotto su una superficie stabile.
2. Posizionare la cinghia sul fondo del piatto di metallo. Durante il posizionamento, assicurarsi che la cinghia non sia attorcigliata. Usando il pollice, distendere la cinghia come indicato nell'immagine sottostante.
3. Capovolgere il piatto e non dimenticare di continuare a reggere la cinghia. Dopodiché, inserire il piatto sull'unità infilando il perno nel foro centrale.
4. Posizionare la cinghia tenuta con il pollice nella colonna di rotazione principale (bianca) dell'ingranaggio triangolare.
5. Posizionare il tappetino del giradischi sul piatto. A questo punto, l'assemblaggio principale è completo.

NOTA: Per smontare il giradischi, afferrare il piatto con le mani e tirare verso l'alto

6. Rimuovere il contrappeso e posizionarlo nell'apposito alloggiamento sul braccio del pick-up (v. immagine).
7. Rimuovere l'adattatore per 45 giri posizionandolo nell'alloggiamento in alto a destra del giradischi.



ACCENSIONE DEL GIRADISCHI STIR IT UP

Il giradischi Stir It Up è provvisto di alimentatore a CA e di presa di alimentazione standard.

1. Inserire l'alimentatore a CA nel giradischi Stir It Up.
2. Inserire la spina in un'adeguata presa a muro.

FACILE DA USARE

1. Collegare l'alimentatore a CA alla presa di casa.
2. Ruotare la manopola OFF/33/45 per accendere l'unità e selezionare la velocità in base al disco da riprodurre.
3. Posizionare un disco sul piatto. Ricordarsi di utilizzare l'adattatore che si trova nell'angolo in alto a destra quando si riproducono 45 giri.
4. Sollevare e muovere il braccio in direzione del giradischi. Posizionando il braccio sul bordo del disco, si darà inizio alla riproduzione musicale.
5. Assemblare il contrappeso mettendolo nella posizione giusta. Il contrappeso serve a regolare la pressione sull'ago. Una pressione eccessiva, distorcerà il suono; una pressione insufficiente farà facilmente saltare le tracce. Regolare il contrappeso ruotandolo in senso orario o antiorario.

NOTA:

6. Per mettere in pausa o arrestare la riproduzione, sollevare il braccio riposizionandolo manualmente nell'apposito alloggiamento.
7. Una volta raggiunta la fine del disco, il piatto e il braccio si arresteranno. Sollevare il braccio e posizionarlo manualmente nell'apposito alloggiamento.

COLLEGAMENTI

ATTENZIONE: Scollegare il cavo di alimentazione di qualsiasi dispositivo prima di eseguire i collegamenti. Leggere le istruzioni di ciascun componente che si intende utilizzare in abbinamento all'unità. Assicurarsi di inserire ogni spina in modo sicuro. Per prevenire brusii e rumori, tenere separati i cavi di interconnessione del segnale dal cavo dell'alimentazione.

LINE OUT

1. Posizionare l'INTERRUTTORE PRE-AMP OFF/ON su ON.
2. Collegare una estremità del cavo RCA (incluso) nella presa LINE OUT sulla parte posteriore dell'unità. Assicurarsi di abbinare il colore del cavo a quello della presa.
3. Collegare l'altra estremità del cavo alla presa LINE IN dell'amplificatore di casa.
4. Accendere l'unità e l'amplificatore collegato.
5. Regolare il volume dell'amplificatore.

PHONO OUT

1. Posizionare l'INTERRUTTORE PRE-AMP OFF/ON su OFF.
2. Collegare una estremità del cavo RCA (incluso) nella presa PHONO OUT sul retro dell'unità. Assicurarsi di abbinare il colore del cavo a quello della presa.
3. Collegare l'altra estremità del cavo alla presa PHONO IN dell'amplificatore di casa.
4. Accendere l'unità e l'amplificatore collegato.
5. Regolare il volume dell'amplificatore.

CUFFIE

1. Collegare un paio di cuffie (non incluse) all'apposita presa sul pannello frontale dell'unità.

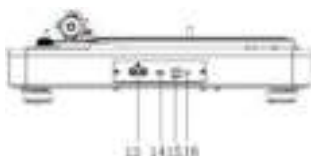
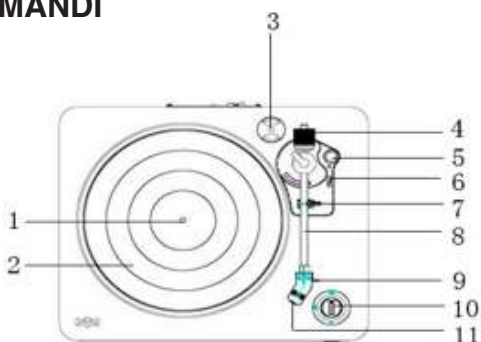
NOTA: Non infilare le cuffie prima di aver inserito la rispettiva presa

FUNZIONE USB-PC, SOFTWARE AUDACITY

Istruzioni complete per la Funzione USB-PC del Software Audacity possono essere consultate collegandosi alla pagina: <http://www.audacityteam.org/download/>

POSIZIONE DEI COMANDI

1. Perno
2. Giradischi
3. Adattatore 45 giri
4. Contrappeso
5. Manopola antiscivolamento
6. Livello sollevamento braccio
7. Alloggio braccio
8. Braccio
9. Puntina
10. Manopola off / 33/45
11. Cappuccio della puntina
12. Presa cuffie
13. Prese output rca
14. Interruttore pre-amp off/on
15. Presa usb
16. Presa alimentazione ca



RIPRODUZIONE DISCHI

1. Collegare l'amplificatore esterno.
2. Posizionare un disco sul piatto, infilandolo nel perno centrale. Quando si riproduce un 45 giri, posizionare l'apposito adattatore sul perno centrale.
3. Impostare il selettore di velocità su 33 o 45 in base al disco da riprodurre.
4. Rimuovere il fermo del braccio e il cappuccio dalla puntina.
5. Sollevare il braccio utilizzando l'apposita levetta.
6. Portare il braccio all'inizio del disco o in corrispondenza di una specifica traccia.
7. Servendosi dell'apposita levetta, abbassare delicatamente il braccio sul disco per avviare la riproduzione.
8. Una volta raggiunta la fine del disco, il braccio si arresterà automaticamente. Per arrestare la riproduzione manualmente, sollevare il braccio dal disco riposizionandolo nell'apposito alloggiamento.

NOTE:

- Rimuovere il cappuccio dalla puntina prima di bilanciare il braccio.
- Reggere il braccio ogni volta che si effettuano regolazioni od operazioni in modo da non causarne il danneggiamento.
- Non bilanciare il peso durante la riproduzione di un disco poiché ciò potrebbe causare la rottura della puntina e il conseguente danneggiamento del disco.
- Fissare il braccio nell'apposito alloggiamento prima di trasportare l'unità per proteggere la puntina.
- Rimuovere il contrappeso prima di trasportare l'unità al fine di prevenire danni.
- Non arrestare o far ruotare il piatto manualmente. Muovendo il giradischi senza aver prima posizionato il fermo sul braccio si rischia di danneggiare il bracci.

ANTISCIVOLAMENTO

Di norma, l'antiscivolamento dovrebbe essere regolato al minimo. Questa funzione compensa le forze esercitate da determinati pick up quando la puntina si avvicina al centro del disco. Se, con l'avvicinarsi al perno centrale, la puntina salta eccessivamente, aumentare il grado di antiscivolamento gradualmente. Iniziare aumentando di 1 punto, testare l'efficacia ottenuta e quindi aumentare ulteriormente, e così via.

NOTA: Nel regolare l'antiscivolamento, non toccare il braccio né il contrappeso per prevenire danni alla puntina.

RISOLUZIONE PROBLEMI

In caso di problemi con l'unità, si prega di leggere quanto riportato qui di seguito per capire se è possibile risolvere il problema autonomamente prima di contattare il fornitore.

INTERA UNITÀ

PROBLEMA	CAUSA	SOLUZIONE
L'unità non si accende premendo l'interruttore dell'accensione.	L'unità è scollegata	Collegare l'unità all'alimentatore a CA
Assenza di suono	L'input in funzione non corrisponde all'input sorgivo.	Riselezionare una fonte.
Il suono è disturbato.	L'unità è troppo vicina a un televisore o altro dispositivo simile.	Spegnere il televisore o l'altro dispositivo, e spostare l'unità in una posizione diversa.
L'unità non risponde o non può essere resettata.	Fattori esterni come scariche elettrostatiche possono avere effetti sull'unità.	Scollegare il cavo di alimentazione e tutti i dispositivi di alimentazione; quindi ricollegare l'unità dopo un minuto.

RIPRODUZIONE

PROBLEMA	CAUSA	SOLUZIONE
Durante la riproduzione, il suono è disturbato.	La puntina non è ben centrata.	Ricentrare la puntina correttamente.
Il suono è disturbato dopo un certo periodo di utilizzo.	La puntina è danneggiata.	Si prega di sostituirla con una puntina nuova.

PRECAUZIONI DI SICUREZZA

AVVERTENZA: Per ridurre il rischio di incendio o di scossa elettrica, non esporre il dispositivo a pioggia o umidità.

ATTENZIONE: L'uso dei comandi o delle regolazioni oppure l'esecuzione di procedure secondo modalità diverse da quelle specificate può comportare l'esposizione a radiazioni pericolose.

ATTENZIONE: RISCHIO DI SCOSSE ELETTRICHE - NON APRIRE!

Per ridurre il rischio di scosse elettriche, non rimuovere il coperchio o la base.

Non contiene parti riparabili dall'utente. Per le riparazioni, rivolgersi a tecnici qualificati.



Il simbolo della freccia lampeggiante, all'interno di un triangolo equilatero, intende allertare l'utilizzatore della presenza di un "voltaggio pericoloso" non isolato nell'involucro del prodotto la cui magnitudine potrebbe costituire il rischio di scossa elettrica per le persone.



Il punto esclamativo all'interno di un triangolo equilatero intende allertare l'utilizzatore della presenza di importanti istruzioni per la manutenzione e il funzionamento all'interno della documentazione che accompagna il dispositivo.

(vedere i simboli riportati sul retro dell'unità)

Questa unità funziona a 100-240V. Se l'unità non viene utilizzata per un periodo di tempo prolungato, scollegare la spina dalla presa a CA.

Prima di utilizzare l'unità, assicurarsi che tutti i collegamenti siano stati effettuati accuratamente.

Questa unità non deve essere esposta a pioggia o umidità.

Questa unità deve essere posizionata in un luogo adeguatamente ventilato. Evitare di posizionarla, per esempio, vicino a tende, su un tappetino o in un luogo chiuso come una libreria.

Non esporre l'unità alla luce diretta del sole né a fonti di calore.

AVVERTENZE PER LA SICUREZZA

1. Seguire e conservare queste istruzioni
2. Rispettare tutti gli avvisi.
3. Non utilizzare questo apparato vicino all'acqua.
4. Pulire solo con un panno asciutto.
5. Non coprire alcuna apertura di ventilazione. Installare seguendo le istruzioni del costruttore.
6. Non installare vicino a fonti di calore come termosifoni, forni o altri apparati (incluso amplificatori) che producono calore.
7. Proteggere il cavo di alimentazione. Stando attenti a non calpestarlo, tirarlo o danneggiarne i connettori particolarmente vicino alla presa, nei vani avvolgicavo o nel punto in cui escono dall'apparato.
8. Usare unicamente collegamenti/accessori specificati dal produttore.
9. Staccare l'apparecchio durante temporali o quando non viene utilizzato per un lungo periodo di tempo.
10. La manutenzione deve essere effettuata da personale qualificato. L'assistenza è richiesta quando l'apparecchio è stato danneggiato in qualche maniera, per esempio quando il cavo di alimentazione o la spina sono danneggiati, quando è stato versato del liquido o quando qualche oggetto è caduto all'interno dell'apparecchio, quando l'apparecchio è stato esposto alla pioggia o all'umidità, quan-

do non funziona normalmente o quando è caduto.

11. Per diminuire il rischio di fuoco o corto circuito elettrico l'apparecchio non deve essere esposto alla pioggia o all'umidità.
12. ATTENZIONE: Pericolo di esplosione se la batteria viene sostituita in modo incorretto. Sostituire solo con la stessa o una tipologia equivalente.

SPIEGA ZIONE DIRETTI VA RAEE



Questo simbolo indica che il prodotto non deve essere smaltito assieme agli altri rifiuti domestici in tutti i Paesi dell'Unione Europea. Al fine di evitare un eventuale danno ambientale e alla salute umana



derivante dallo smaltimento dei rifiuti non controllato, riciclare il prodotto in maniera responsabile per promuovere il riutilizzo sostenibile delle risorse materiali. Per la restituzione del dispositivo usato, utilizzare gli appositi sistemi di restituzione e raccolta oppure contattare il rivenditore presso cui il prodotto è stato acquistato, che provvederanno al suo riciclaggio in conformità alle norme di sicurezza ambientale.

DIRETTIVA RELATIVA ALLE BATTERIE



Questo simbolo indica che le batterie devono essere smaltite separatamente dai rifiuti domestici poiché contengono sostanze potenzialmente nocive per l'ambiente e la salute umana. Smaltire le batterie negli appositi centri di raccolta.

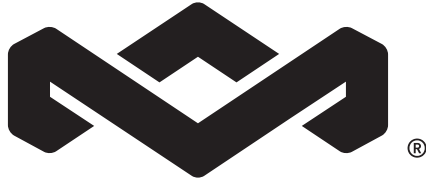
AVVERTENZA

La batteria (nel telecomando) non dovrebbe essere esposta a fonti di calore eccessive come sole, fuoco o simili.

ATTENZIONE NON INGERIRE LA BATTERIA, USTIONI CON AGENTI CHIMICI

Questo prodotto contiene una batteria a bottone/moneta. Se la batteria a bottone/moneta venisse ingerita, potrebbe causare gravi ustioni interne e portare alla morte in appena 2 ore. Tenere le batterie nuove e usate fuori dalla portata dei bambini. Se il vano batteria non si chiude in modo sicuro, smettere di usare il prodotto e tenerlo lontano dalla portata dei bambini. Recarsi immediatamente dal Medico in caso pensiate che le batterie possano essere state ingerite o poste all'interno di qualsiasi parte del corpo.

Questo apparecchio può essere utilizzato da bambini di età pari e superiore a 8 anni, e da persone con capacità fisiche, sensoriali o mentali ridotte o che manchino di esperienza e familiarità con il prodotto, purché abbiano ricevuto supervisione o istruzioni relative all'uso sicuro dello stesso e comprendano i rischi legati al suo utilizzo. I bambini non devono giocare con l'apparecchio. Le operazioni di pulizia e manutenzione non devono essere eseguite da bambini senza supervisione.



M A R L E Y

STIR IT UP PLADESPILLER BRUGSVEJLEDNING

Velkommen til the House of Marley

Vi er glade for, at du har valgt Stir It Up Pladespilleren som en del af din musikalske oplevelse. Stir It Up er udstyret med iøjnefaldende design og materialer taget fra vores Get Together BT højttaler og retrodesigndetaljer, som man forbinder med pladespillere fra Bob Marleys æra (1960-1980). Enkle former og rige materialer, flot design og finish. Lad de naturlige materialer komme i fokus.

FØR BRUG

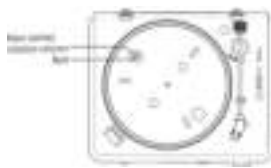
1. Vælg apparatets installationsplacering omhyggeligt. Det bør ikke placeres i direkte sollys eller tæt på en varmekilde. Placeringer, som udsættes for vibrationer eller for megen støv, kulde eller fugt, bør også undgås. Må ikke udsættes for kilder, som brummer, f.eks. transformatorer og motorer.
2. Skabet må ikke åbnes, da det kan føre til skade på strømkredsløb eller elektrisk stød. Hvis et fremmedlegeme skulle komme ind i pladespilleren, skal du kontakte vores Kundeserviceafdeling.
3. Du må ikke røre ved pladerne med snavsede fingre. Du må aldrig spille en plade, hvis overflade er revnet.
4. Når du tager strømstikket ud af væggen, skal du altid trække i stikket, ikke i ledningen.
5. For at beskytte nålen på pladespilleren skal du altid sætte det hvide beskyttelsescover på efter brug.
6. Du må ikke rengøre apparatet med kemiske rensmidler, da det kan beskadige apparatets finish. Brug en ren, tør klud.
7. For at slukke helt for strømmen til dette apparat skal du tage strømstikket ud af væggen. Tag apparatet ud af stikket, hvis du ikke har til hensigt at bruge det i en længere periode, f.eks. under en ferie.
8. Opbevar denne manual et sikkert sted, hvor du nemt kan finde den.

SAMLING

1. Tag alle komponenterne ud af pakken og placér apparatet på en stabil overflade.
2. Vikl remmen rundt om bunden af metalpladen. Sikr dig, at remmen ikke er snoet. Brug din tommelfinger til at strække remmen som vist på illustrationen nedenfor.
3. Vend pladen om og glem ikke fortsat at holde fast i remmen. Match dernæst akslen og sæt pladen i apparatet.
4. Vikl remmen, som du holder med din tommelfinger, om den primære (hvide) rotationstap på de trekantede gearakslar.
5. Placér pladespillermåtten på pladen. Du har nu samlet pladespilleren.

BEMÆRK: For at afmontere pladespilleren skal du gribe direkte fast i den og trække den opad.

6. Fjern kontravægten og placér den på dens rigtige plads på tonearmen (se illustrationen).
7. Fjern adapteren til 45 omdr. plader og placér den, hvor den skal være, nemlig i pladespillerens øverste højre hjørne.



STRØM TIL DIN STIR IT UP PLADESPILLER

Din Stir It Up pladespiller bruger en vekselstrømsadapter og sættes i en helt almindelig stikkontakt.

1. Sæt vekselstrømsadapteren i din Stir It Up.
2. Sæt strømstikket i en egnet stikkontakt.

NEM AT ANVENDE

1. Slut vekselstrømsadapteren i stikket i væggen.
2. Rotér OFF / 33/45 knappen for at tænde for apparatet og vælg den hastighed, som passer til den plade, du spiller.
3. Læg en plade på pladespilleren. Husk at bruge adapteren til plader med 45 omdr. i øverste højre hjørne, når du spiller en sådan 45 plade.
4. Løft og bevæg tonearmen hen til pladespilleren. Placér tonearmen på kanten af pladen, og pladen vil begynde at spille.
5. Saml kontravægten og anbring den i en korrekt position.

Kontravægten skal justere trykket på nålen. Hvis trykket er for stort, vil lyden blive forvrænget; hvis trykket er for lille, vil pladen nemt hoppe mellem forskellige numre. Justér venligst kontravægten ved at dreje kontravægten med eller mod uret.

BEMÆRK:

6. For at pause eller stoppe afspilningen skal du manuelt løfte og flytte tonearmen tilbage til dens hvileposition.
7. Når enden af pladen nås, vil tonearmen og rotationen stoppe. Løft manuelt op i tonearmen og sæt den tilbage til dens hvileposition.

TILSLUTNINGER

PAS PÅ: Sluk for strømmen til alt udstyr, før et sådant tilsluttes. Læs instruktionerne til hver enkelt komponent, du ønsker at anvende sammen med dette apparat. Du skal sikre dig, at hvert enkelt stik sættes godt i apparatet. For at forhindre brummen og støj skal du undgå at sætte signaltilslutningskablerne sammen med vekselstrømsledningen.

LINE OUT-STIKKET

1. Sæt PRE-AMP OFF/ON KONTAKTEN i ON position.
2. Sæt den ene ende af RCA-kablet (medfølger) ind i LINE OUT-stikket bag på apparatet. Sørg for at matche farven med stikket.
3. Sæt den anden ende af kablet ind i LINE IN-stikket på din forstærker.
4. Tænd for apparatet og den forstærker, du tilsluttede.
5. Justér volumen på forstærkeren.

PHONO OUT-STIKKET

1. Sæt PRE-AMP OFF/ON KONTAKTEN i OFF position.
2. Sæt den ene ende af kablet (medfølger) ind i PHONO OUT-stikket bag på apparatet. Sørg for at matche farven med stikket.
3. Sæt den anden ende af kablet ind i PHONO IN-stikket på din forstærker.
4. Tænd for apparatet og den forstærker, du tilsluttede.
5. Justér volumen på din forstærker.

BRUG AF HOVEDTELEFONER

1. Slut et sæt hovedtelefoner (medfølger ikke) til det dertil indrettede stik foran på apparatet.

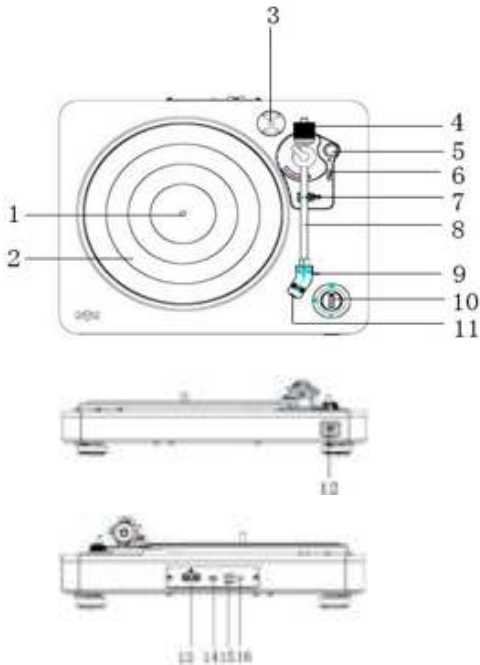
BEMÆRK: Tag aldrig hovedtelefonerne på, før du har sat stikket i.

USB-PC FUNKTION, AUDACITY SOFTWARE

Komplette instruktioner i Audacity Software USB-PC Function kan findes på <http://www.audacityteam.org/download/>

BETJENING

1. Tap
2. Pladespiller
3. Adapter til 45 omdr. Plader
4. Kontravægt
5. Antiskatingknap
6. Tonearmsløft niveau
7. Tonearmholder
8. Tonearm
9. Nål
10. Off / 33/45 knap
11. Nålebeskyttelsesdæksel
12. Stik til hovedtelefoner
13. Rca output-stik
14. Pre-amp off/on kontakt
15. Usb stik
16. Vekselstrømsstik



AFSPILNING

1. Slut den eksterne forstærker til.
2. Placér en plade på pladespilleren over den centrale tap. Placér EP-adapteren over den centrale tap, når du afspiller en plade med 45 omdr.
3. Indstil Hastighedsvælgeren til enten 33 eller 45 omdrejninger alt efter pladen.
4. Åbn låsegrebet til tonearmen og fjern nålens beskyttelsesdæksel.
5. Løft tonearmen med løftegrebet.
6. Sæt tonearmen ved pladens begyndelse eller ved starten af en bestemt sang.
7. Sænk tonearmen langsomt ned på pladen med løftegrebet for at påbegynde afspilningen.
8. Når pladen er færdig, stopper tonearmen automatisk. For at stoppe pladen manuelt skal du løfte tonearmen af pladen og lægge den tilbage i holderen.

NOTER:

- Fjern nålebeskyttelsesdækslet, før du benytter tonearmen.
- Hold fast i tonearmen, når du foretager eventuelle justeringer, så du på den måde beskytter tonearmen.
- Du må ikke forsøge at justere kontravægten, mens der afspilles en plade, da det kan ødelægge nålen og ridse pladen.
- Efter endt brug og før transport sikres tonearmen med låsegrebet for at beskytte nålen.
- Fjernkontravægten før transport for at forhindre skade på apparatet.
- Du må ikke stoppe eller vende pladen manuelt. Flytning på pladespilleren uden at sikre låsegrebet til tonearmen kan føre til skade på tonearmen.

ANTISKATING

Normal skal antiskating sættes på minimumindstillingen. Antiskating kompenserer for de kræfter, som påvirker nålen, når den nærmer sig midten af pladen. Hvis pladespilleren hopper meget mellem numrene, når pladen nærmer sig midten, skal du prøve at øge antiskating i de intervaller, der er anført på knappen. Begynd med at øge funktionen med et interval på 1, test, hvordan det virker, og øg det dernæst mere, hvis det er nødvendigt.

BEMÆRK: Når du justerer på antiskatingknappen, må du ikke samtidig røre ved tonearmen og kontravægten. Det kan nemlig resultere i skade på nålen.

FEJLFINDINGSGUIDE

Hvis du oplever problemer med apparatet, bedes du se nedenfor. Måske kan du selv løse problemet, så du ikke behøver kontakte din forhandler.

SELVE APPARATET

Problem	Årsag	Løsning
Apparatet tænder ikke, når der trykkes på kontakten.	Apparatet er ikke sat i stikket.	Slut apparatet til vekselstrømsforsyningen.
Ingen lyd	Apparatets input matcher ikke kildeinputtet.	Vælg en ny kilde.
Lyden er forvrænget.	Apparatet står for tæt på et TV eller andet tilsvarende apparat.	Sluk for Tv'et eller andet apparat og flyt apparatet.
Apparatet svarer ikke eller kunne ikke nulstilles.	Eksterne faktorer, som f.eks. ESD (Elektrostatisk udledning), påvirker apparatet.	Fjern strømledningen og alle andre strømforsyningsenheder, slut dernæst apparatet til strømmen igen efter et minut.

PHONO-AFSPILLER

Problem	Årsag	Løsning
Lyden er forvrænget, når der afspilles en plade.	Nålen er ikke placeret i midten.	Udskiftnålen og placér den i midten.
Lyden er forvrænget, når pladespilleren bruges i længere tid.	Nålen er beskadiget.	Udskift nålen med en ny.

SIKKERHEDSREGLER

ADVARSEL: For at mindske risikoen for brand og elektrisk stød må dette apparat ikke udsættes for regn eller fugt.

FORSIGTIG: Anden betjening eller andre justeringer eller udførelse af andre procedurer end dem, der er anført heri, kan føre til udsættelse for farlig bestråling.

BEMÆRK: RISIKO FOR ELEKTRISK STØD – ÅBN IKKE!<0}

For at mindske risikoen for elektrisk stød må hverken apparatets front eller bagside tages af.

Ingen dele, der skal vedligeholdes, findes inden i apparatet. Overlad servicering til kvalificeret servicepersonale.



Lynet med pilespidssymbolet omgivet af en ligesidet trekant skal gøre brugeren opmærksom på tilstedeværelsen af en ikke-isoleret "farlig netspænding" inden i apparatet, som kan være af en sådan styrke, at den kan udgøre en risiko for elektrisk stød.



Udråbstegnet omgivet af en ligesidet trekant skal gøre brugeren opmærksom på tilstedeværelsen af en vigtig betjenings- og vedligeholdelses(service-)instruktion, som findes i den medfølgende betjeningsvejledning.

(Se symboler bag på apparatet.)

Dette apparat bruger 100-240V. Hvis apparatet ikke skal bruges i længere tid ad gangen, skal du tage det ud af stikket.

Sørg for, at alle tilslutninger er udført korrekt, før du betjener apparatet.

Apparatet må ikke udsættes for fugt eller regn.

Apparatet skal placeres, så det får tilstrækkelig ventilation. Det bør f.eks. ikke placeres tæt på gardiner, på gulvtæppet eller i et møbel, man selv har bygget, som f.eks. en bogreol.

Apparatet må ikke udsættes for direkte sollys eller varmekilder.

VIGTIGE SIKKERHEDSANVISNINGER

1. Følg og gem denne vejledning.
2. Efterlev alle advarsler.
3. Apparatet må ikke anvendes nær vand.
4. Rengør kun med en tør klud.
5. Ventilationsåbninger må ikke blokeres. Installer apparatet i overensstemmelse med producentens anvisninger.
6. Må ikke installeres i nærheden af varmekilder som radiatorer, varmeriste, ovne eller andre apparater (herunder også forstærkere), som genererer varme.
7. Beskyt netledningen, så den ikke bliver mast eller klemt, især i nærheden af stikkontakter og stikdåser og det sted, hvor ledningen er tilsluttet til apparatet.
8. Anvend kun de ledninger og det tilbehør, som producenten angiver.
9. Tag apparatet ud af stikket i tordenvejr, eller når det ikke skal bruges i længere tid.
10. Overlad al servicering til kvalificeret servicepersonale. Der er behov for service, når apparatet er blevet beskadiget, fx hvis netledningen eller stikket er gået i stykker, hvis der er blevet spildt væske på apparatet, eller hvis der er faldet genstande ned i det, hvis apparatet er blevet udsat for regn eller fugt, ikke fungerer normalt eller er blevet tabt.
11. For at mindske risikoen for brand og elektrisk stød må dette apparatet ikke udsættes for regn eller fugt.
12. **FORSIGTIG:** Eksplosionsfare, hvis batteri udskiftes forkert. Udskift kun til samme eller tilsvarende type.

WEEE FORKLARING



Denne afmærkning angiver, at dette produkt ikke må bortskaffes med andet husholdningsaffald inden for EU. For at forhindre mulig skade for miljøet eller menneskers sundhed på grund af ukontrolleret affaldsbortskaffelse, skal det genanvendes på ansvarlig vis for at fremme den bæredygtige genanvendelse af materielle ressourcer. Gör brug af returnerings- og indsamlingssystemer eller kontakt den detailhandler, hvor produktet blev købt, for at returnere det brugte produkt. Disse kan videresende produktet til miljøsikket genanvendelse.

BATTERIDIREKTIV



Dette symbol indikerer, at batterier ikke må bortskaffes med husholdningsaffald, da de indeholder stoffer, der kan være miljø- og helbreds-kadelige. Bortskaf venligst batterier på udpegede indsamlingssteder.

ADVARSEL: Batteriet (i fjernbetjeningen) må ikke udsættes for kraftig varme, som f.eks. solskin, ild eller lignende.

ADVARSEL: BATTERIER MÅ IKKE SLUGES, FARE FOR KEMISK BRANDSÅR

Dette produkt indeholder et knapbatteri. Hvis knapbatteriet sluges, kan det forårsage alvorlige indre brandsår på bare 2 timer, og det kan føre til dødsfald. Opbevar nye og brugte batterier uden for børns rækkevidde. Hvis batteridækslet ikke lukker helt tæt, skal du holde op med at benytte produktet og opbevare det uden for børns rækkevidde. Hvis du har mistanke om, at et batteri er blevet slugt eller puttet ind i eventuelle kropsåbninger, skal du straks søge lægehjælp.

Dette apparat må benyttes af børn fra 8 år og op efter og af personer med mindskede fysiske eller mentale færdigheder eller følelsesforstyrrelser samt manglende erfaring og viden, hvis de holdes under opsyn eller har fået anvisninger i sikker brug af apparatet og forstår de farer, der er forbundet dermed. Børn skal overvåges for at sikre, at de ikke leger med apparatet.



GRAMOFON STIR IT UP POKYNY PRO POUŽÍVÁNÍ PŘEHRÁVAČE

Vítá vás prostředí House of Marley

Je pro nás ctí, že jste si vybrali gramofon Stir It Up jako součást vašeho hudebního světa. Gramofon Stir It Up se vyznačuje designem a materiálovými prvky z našeho reproduktoru Get Together BT a retrodesignovými detaily gramofonů z éry Boba Marleye (1960-1980). Jednoduché tvary, různé materiály a příjemná povrchová úprava. Dejme vyniknout přírodním materiálům.

PŘED POUŽITÍM

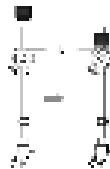
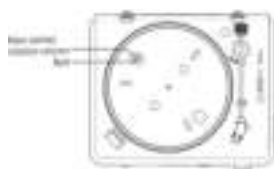
1. Pečlivě vyberte umístění přístroje. Neumísťujte jej na přímé sluneční světlo ani do blízkosti zdrojů tepla. Rovněž se vyhněte místům vystaveným vibracím a nadměrnému prachu, chladu nebo vlhku. Udržujte mimo dosah zdrojů hučení, například transformátorů nebo motorů.
2. Neotevírejte skříň přístroje, protože by mohlo dojít k poškození elektrického zapojení nebo k úrazu elektrickým proudem. Pokud do skříňně přístroje vnikne cizí předmět, kontaktujte zákaznickou podporu.
3. Nedotýkejte se gramofonové desky prsty. Zásadně nepřehrávejte gramofonovou desku, která je prasklá.
4. Při odpojování zástrčky napájecího kabelu z elektrické zásuvky vždy tahejte přímo za zástrčku, nikoli za kabel.
5. Na ochranu přenosky nezapomeňte po použití nasadit bílý ochranný kryt jehly.
6. Nezkoušejte čistit přístroj chemickými rozpouštědly, protože by mohlo dojít k poškození povrchu. Použijte čistý a suchý hadřík.
7. Chcete-li zcela přerušit napájení tohoto produktu, odpojte napájecí kabel z elektrické zásuvky. Nebudete-li přístroj delší dobu používat, například o dovolené, nezapomeňte jej odpojit od elektrické zásuvky.
8. Tyto pokyny uložte na bezpečné místo pro případné budoucí použití.

SESTAVENÍ

1. Vyjměte všechny součástky z krabice a potom umístěte produkt na stabilní místo.
2. Nasaďte řemen na dolní stranu kovového talíře. Zkontrolujte, zda nainstalovaný řemen není překroucený. Podle následujícího obrázku placem natáhněte řemen.
3. Otočte talíř vzhůru nohama a nezapomeňte přidržovat řemen. Potom zorientujte talíř na osu a nasaďte jej na přístroj.
4. Nasaďte řemen přidržovaný palcem do hlavního (bílého) otočného sloupku převodových sloupků uspořádaných do trojúhelníku.
5. Na talíř nasaďte podložku. Hlavní sestavení je dokončeno.

POZNÁMKA: Chcete-li gramofon rozebrat, přímo uchopte talíř a vysuňte směrem nahoru

6. Vyjměte protizávaží a umístěte jej na příslušné místo na rameni (viz obrázek).
7. Vyjměte adaptér otáček 45 ot./min. a umístěte do nové polohy v pravém horním rohu gramofonu.



PŘIPOJENÍ NAPÁJENÍ GRAMOFONU STIR IT UP

Tento gramofon Stir It Up využívá střídavé napájení ze standardní síťové zásuvky.

1. Připojte síťový napájecí kabel ke gramofonu Stir It Up.
2. Připojte zástrčku napájecího kabelu k vhodné elektrické zásuvce.

SNADNÉ POUŽÍVÁNÍ

1. Připojte zdroj střídavého napájení k domácí elektrické zásuvce.
2. Zapněte přístroj otočením knoflíku OFF / 33/45 a vyberte rychlost podle přehrávané gramofonové desky.
3. Nasaďte gramofonovou desku na otočný talíř. Pro přehrávání gramofonové desky 45 ot./min. nezapomeňte použít adaptér 45 ot./min. v pravém horním rohu.
4. Zvedněte rameno a přemístěte k otočnému talíři. Umístěním ramena na okraj gramofonové desky bude zahájeno přehrávání.
5. Sestavte protizávaží a nasaďte jej do správné polohy.

POZNÁMKA: Protizávaží slouží k úpravě tlaku jehly. Pokud je tlak příliš velký, zvuk bude zkreslený; pokud je tlak příliš malý, může snadno docházet k přeskokování jehly. Nastavte protizávaží otáčením po nebo proti směru hodin.

6. Chcete-li přehrávání pozastavit nebo zastavit, je třeba zvednout rameno a ručně přemístit do držáku.
7. Po dosažení konce gramofonové desky se rameno a otáčení zastaví. Zvedněte rameno a ručně jej přemístěte do držáku.

ZAPOJENÍ

UPOZORNĚNÍ: Před zapojováním vypněte napájení veškerého vybavení. Přečtěte si pokyny ke každému vybavení, které chcete používat s tímto přístrojem. Každou zástrčku řádně zasuňte. Aby se zabránilo hučení a šumu, nekombinujte propojovací kabely signálu se síťovým napájecím kabelem.

POUŽÍVÁNÍ VÝSTUPU LINE OUT

1. Přepněte vypínač PRE-AMP OFF/ON do polohy ON.
2. Připojte jeden konec kabelu RCA (součást produktu) k zásuvce LINE OUT na zadní straně přístroje. Zkontrolujte, zda barva odpovídá zásuvce.
3. Připojte jeden konec kabelu k zásuvce LINE IN vašeho domácího zesilovače.
4. Zapněte přístroj a připojený zesilovač.
5. Upravte hlasitost na zesilovači.

POUŽÍVÁNÍ VÝSTUPU PHONO OUT

1. Přepněte vypínač PRE-AMP OFF/ON do polohy OFF.
2. Připojte jeden konec kabelu (součást produktu) k zásuvce PHONO OUT na zadní

straně přístroje. Zkontrolujte, zda barva odpovídá zásuvce.

3. Připojte jeden konec kabelu k zásuvce PHONO IN vašeho domácího zesilovače.
4. Zapněte přístroj a připojený zesilovač.
5. Upravte hlasitost na vašem zesilovači.

POUŽÍVÁNÍ SLUCHÁTEK

1. Připojte sluchátka (nejsou součástí produktu) k zásuvce Earphone na předním panelu přístroje.

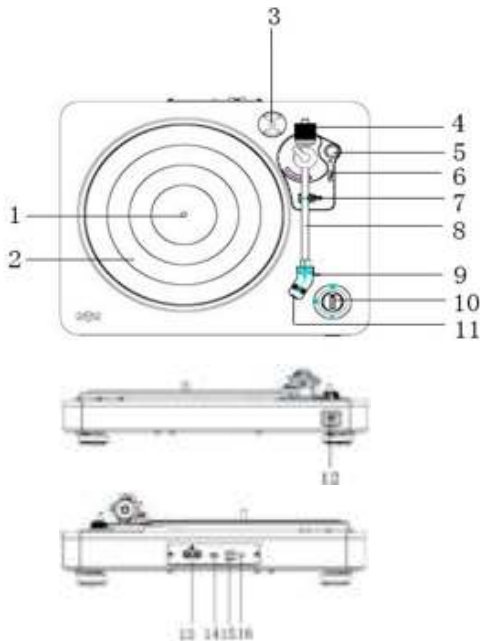
POZNÁMKA: Vždy nejdříve připojte zástrčku sluchátek a až potom si sluchátka nasadíte

FUNKCE USB-PC, SOFTWARE AUDACITY

Úplné pokyny k funkci USB-PC softwaru Audacity jsou k dispozici na webu <http://www.audacityteam.org/download/>

UMÍSTĚNÍ OVLÁDACÍCH PRVKŮ

1. Osa
2. Otočný talíř
3. Adaptér 45 ot./Min.
4. Protizávaží
5. Knoflík proti přeskokování
6. Výška zvednutí ramena
7. Držák ramena
8. Rameno
9. Přenoska
10. Knoflík off / 33/45
11. Kryt jehly
12. Zásuvka earphone
13. Zásuvky výstupu rca
14. Vypínač pre-amp off/on
15. Zásuvka usb
16. Zásuvka síťového napájení



PŘEHRÁVÁNÍ GRAMOFONOVÝCH DESEK

1. Připojte externí zesilovač.
2. Nasadíte gramofonovou desku na otočný talíř na středovou osu. Při přehrávání

gramofonových desek 45 ot./min. umístěte na středovou osu EP adaptér.

3. Podle gramofonové desky nastavte přepínač rychlosti na 33 nebo 45 ot./min.
4. Uvolněte pojistku ramene a sejměte ochranný kryt z přenosky.
5. Zvedněte rameno pomocí zvedací páčky.
6. Přesuňte rameno na začátek gramofonové desky nebo na začátek konkrétní stopy.
7. Pomocí zvedací páčky opatrně položte rameno na gramofonovou desku. Bude zahájeno přehrávání.
8. Po dokončení přehrávání gramofonové desky se rameno automaticky zastaví. Chcete-li zastavit přehrávání ručně, zvedněte rameno z gramofonové desky a vraťte do držáku.

POZNÁMKY:

- Před vyvažováním ramene sejměte kryt jehly.
- Při provádění jakéhokoli nastavení nebo akce přidržujte rameno, aby nedošlo k poškození.
- Nezkoušejte upravit protizávaží během přehrávání gramofonové desky. Mohlo by dojít k prasknutí jehly nebo k poškrábání gramofonové desky.
- Před převážením znovu zajistěte rameno, aby nedošlo k poškození jehly.
- Před převážením sejměte protizávaží, aby se zabránilo poškození nebo prasknutí přístroje.
- Otočný talíř nezastavujte ani neotáčejte ručně. V případě přemísťování nebo ořesů gramofonu bez zajištění pojistky ramene může dojít k jeho poškození.

REDUKCE PŘESKAKOVÁNÍ

Za normálních okolností by redukce přeskokování měla být nastavena na minimum. Redukce přeskokování při přehrávání vyrovnává síly směřující dovnitř. Tyto síly vznikají, když se přenoska blíží ke středu gramofonové desky. Pokud se přehrávání blíží ke středové ose a dochází k nadměrnému přeskokování, zkuste zvýšit redukci přeskokování ve stupních uvedených na stupnici. Začněte přidáním stupně 1, vyzkoušejte a potom zvyšujte dále atd.

POZNÁMKA: Během nastavování knoflíku redukce přeskokování se nedotýkejte ramene a protizávaží, aby se zabránilo poškození přenosky (jehly).

ODSTRAŇOVÁNÍ POTÍŽÍ

Pokud se při používání tohoto přístroje setkáte s potížemi, projděte si následující část. Než zavoláte prodejci, ověřte si, zda nedokážete problém odstranit sami.

CELÝ PŘÍSTROJ

PROBLÉM	PŘÍČINA	ŘEŠENÍ
Přístroj se nezapne stisknutím vypínače.	Napájecí kabel přístroje je odpojen.	Připojte přístroj ke zdroji síťového napájení.
Žádný zvuk	Pracovní vstup neodpovídá vstupu zdroje.	Vyberte jiný zdroj.
Zvuk je rušený.	Přístroj se nachází příliš blízko televizoru nebo podobného spotřebiče.	Vypněte televizor nebo podobný přístroj a přemístěte jej.
Přístroj nemá odezvu nebo nebylo možné jej resetovat.	Přístroj ovlivňují negativní externí faktory, například ESD (elektrostatický výboj).	Odpojte napájecí kabel a veškerá napájecí zařízení a přibližně po jedné minutě je znovu připojte. přemístěte jej.

GRAMOFON

PROBLÉM	PŘÍČINA	ŘEŠENÍ
Při přehrávání desky je zvuk rušený.	Přenoska není umístěna uprostřed.	Znovu nasadte přenosku doprostřed.
Po určité době je zvuk rušený.	Přenoska je poškozená.	Prosím vyměřte přenosku.

BEZPEČNOSTNÍ ZÁSADY

VAROVÁNÍ: Tento spotřebič nevystavujte dešti ani vlhku, aby se zabránilo riziku požáru nebo zásahu elektrickým proudem.

UPOZORNĚNÍ: Při používání ovládacích prvků, nastavení nebo postupů, které nejsou uvedeny v tomto dokumentu, může dojít k vystavení nebezpečnému záření.

UPOZORNĚNÍ: NEBEZPEČÍ ÚRAZU ELEKTRICKÝM PROUDEM-NEOTEVÍRAT!

Aby se zabránilo nebezpečí úrazu elektrickým proudem, nesnímejte kryt ani zadní část.

Uvnitř nejsou žádné části, které by uživatel mohl sám opravit. Servis svěřte kvalifikovanému servisnímu pracovníkovi.



Indikátor označený symbolem blesku s šipkou v rovnostranné trojúhelníku má za úkol varovat uživatele na přítomnost neizolovaného „nebezpečného napětí“ v skřínce produktu, které je dostatečně vysoké pro způsobení úrazu elektrickým proudem osob.



Vykřičník v rovnostranném trojúhelníku má za úkol upozornit uživatele, že v příručkách dodávaných s produktem jsou uvedeny pokyny důležité pro provoz a údržbu (servis).

(Viz značky na zadní straně přístroje.)

Napájení tohoto přístroje je 100-240V. Nebudete-li tento přístroj delší dobu používat, odpojte zástrčku napájecího kabelu z elektrické zásuvky.

Před používáním přístroje zkontrolujte, zda jsou řádně provedena všechna zapojení.

Tento přístroj nesmí být vystaven vlhku ani dešti.

Tento přístroj musí být umístěn tak, aby bylo zajištěno jeho řádné větrání. Neumísťujte například blízko závěsů, na koberec nebo do uzavřeného prostoru, například do skříňky.

Tento přístroj nevystavujte přímému slunečnímu záření ani zdrojům tepla.

DŮLEŽITÉ BEZPEČNOSTNÍ POKYNY

1. Dodržujte tyto pokyny.
2. Dbejte na všechna varování.
3. Nepožívejte systém v blízkosti vody.
4. Systém čistěte pouze suchou tkaninou.
5. Neblokujte větrací otvory. Instalaci proveďte v souladu s pokyny výrobce.
6. Neinstalujte systém v blízkosti žádného zdroje tepla, jako jsou ohříváče, radiátory, kamna a další zařízení (včetně zesilovačů), která vytváří teplo.
7. Napájecí kabel chraňte před zašlápnutím či přiskřípnutím, zejména v blízkosti zástrčky, síťové zásuvky a místa, kde vychází ze systému.
8. Používejte pouze přídatná zařízení / příslušenství určená výrobcem.
9. Během bouřky nebo při delší době bez použití odpojte systém ze sítě.
10. Veškeré servisní zákroky svěřte kvalifikovanému technikovi. Servisní zárok je nutný, pokud byl systém nějakým způsobem poškozen, např. při poškození napájecího kabelu či zástrčky, rozlítí tekutiny nebo vniknutí objektů do systému, ponechání systému na dešti nebo vlhkosti, pokud systém nefunguje normálně nebo pokud byl upuštěn na zem.
11. Chcete-li se vyhnout riziku požáru nebo zásahu elektrickým proudem, nevystavujte systém dešti ani vlhkosti.
12. **POZOR:** Pokud baterii vložíte nesprávně, může dojít k explozi. Při výměně vkládejte pouze stejný nebo ekvivalentní typ.

VYS VĚTLENI OEEZ



Tato značka udává, že výrobek nesmí být na území EU vyhazován s běžným domácím odpadem. Pro prevenci možného znečištění životního prostředí a ujmě na zdraví osob nekontrolovaným odpadem recyklujte výrobek odpovídáním způsobem, který podporuje obnovitelné použití surovin. Pokud chcete použité výrobky vrátit, využijte prosím sběrného systému nebo se obraťte na prodejce, od kterého jste výrobek zakoupili.

Ti mohou výrobek recyklovat způsobem bezpečným pro životní prostředí.

POKYNY K BATERII



Tento symbol znamená, že baterie nesmí být likvidována vyhozením do domácího odpadu, protože obsahuje látky, jež mohou poškodit životní prostředí a zdraví. Za účelem likvidace baterií odevzdejte na určeném sběrném místě.

VAROVÁNÍ: Baterie (v dálkovém ovladači) nesmí být vystavena nadměrnému teplu, například slunečnímu záření, ohni a podobně.

VAROVÁNÍ: BATERII NEPOLYKEJTE. HROZÍ NEBEZPEČÍ CHEMICKÝCH POPÁLENIN.

Tento výrobek obsahuje knoflíkovou baterii. Pokud dojde k požití knoflíkové baterie, může již za dvě hodiny dojít k závažným vnitřním popáleninám a následné smrti. Nové i použité baterie uchovávejte mimo dosah dětí. Pokud prostor pro baterie nelze řádně uzavřít, přestaňte výrobek používat a uschovejte jej mimo dosah dětí. Pokud si myslíte, že mohlo dojít k požití baterií nebo jejich uvíznutí v tělesných otvorech, okamžitě vyhledejte lékařskou pomoc.

Toto zařízení mohou používat děti starší 8 let a osoby se sníženými fyzickými, smyslovými nebo mentálními schopnostmi či s nedostatkem zkušeností a znalostí, ovšem pouze pokud jsou pod dohledem nebo pokud obdržely instrukce týkající se bezpečného používání zařízení a chápou možná rizika. Nedovolte dětem, aby si se zařízením hrály. Děti také nesmí bez dozoru provádět čištění a běžnou údržbu zařízení.



M A R L E Y

STIR IT UP TURNTABLE LEMEZJÁTSZÓ HASZNÁLATI UTASÍTÁSA

Üdvözlí a House of Marley!

Köszönjük, hogy a kiváló zenei élményt nyújtó Stir It Up Turntable terméket választotta. A Stir It Up a Get Together BT hangszóró forma- és anyagvilágát idézi, a Bob Marley-időszak (1960–1980) retró elemeivel ötvözve. Egyszerű formák, kiváló minőségű anyagokkal és felületekkel. A természetes anyagok eredeti szépsége.

A HASZNÁLAT ELŐTT

1. Gondosan válassza ki a készülék telepítési helyét. Ne tegye olyan helyre, ahol közvetlen napfénynek vagy hőnek van kitéve. Kerülje az olyan helyeket is, ahol a készüléket vibráció, túlzott porszennyezés, hideg vagy nedvesség érheti. Tartsa távol a rezgő forrásoktól, például a transzformátoroktól vagy motoroktól.
2. Ne nyissa fel a készülékházat, mivel ezzel megrongálhatja az áramköröket és akár áramütést is szenvedhet. Ha a készülékbe idegen tárgy jut, forduljon az ügyfélszolgálathoz.
3. A lemezeket csak tiszta kézzel fogja meg. Soha ne játsszon le olyan lemezt, amelynek meg van repedve a felülete.
4. Amikor kihúzza a hálózati csatlakozót a konnektorból, mindig magát a dugaszt fogja meg, soha ne a kábelnél fogva húzza.
5. A lemeztű védelme érdekében mindig tegye vissza a fehér védőfedelelet a használat után.
6. A készüléket soha ne tisztítsa vegyszerekkel, mivel ez károsíthatja a felületét. A tisztításhoz száraz, tiszta törölkendőt használjon.
7. A készülék teljes áramtalanításához húzza ki a tápkábelt a fali aljzatból. A készüléket mindig húzza ki, ha hosszabb ideig nem tervezi használni, például ha nyaralni megy.
8. A jelen útmutatót tárolja biztonságos helyen arra az esetre, ha később szüksége lenne rá.

ÖSSZESZERELÉS

1. Vegye ki az összes alkatrészt a csomagból, majd helyezze a terméket stabil felületre.
2. Helyezze a szíjat a fémtányér aljára. Ügyeljen arra, hogy a szíj ne legyen megcsavarodva. Hüvelykujjával nyújtsa ki a szíjat az alábbi ábra szerint.
3. Fordítsa meg a tányért, miközben továbbra is tartja a szíjat. Ezután illessze be az orsót és tegye a tányért az egységre.
4. A hüvelykujjával tartott szíjat tegye a fő (fehér) forgó rúdra a háromszögben elrendezett hajtórudaknál.
5. Helyezze a forgóelem felső részét a tányérra. Ezzel a főegység összeszerelése kész.

MEGJEGYZÉS: A készülék szétszereléséhez fogja meg az egységet és húzza felfelé.

6. Távolítsa el az ellensúlyt és helyezze a Tone karon a megfelelő helyre (lásd az illusztrációt).
7. Vegye le a 45 rpm-es adaptert és tegye az új helyére, a lemeztájszó jobb felső sarkában.



A STIR IT UP TURNTABLE BEKAPCSOLÁSA

A Stir It Up Turntable AC tápkábellel rendelkezik, így közvetlenül a konnektorról működtethető.

1. Csatlakoztassa az AC tápkábelt a Stir It Up készülékhez.
2. Dugja be a tápkábel másik végét egy megfelelő konnektorba.

KÖNNYEN HASZNÁLHATÓ

1. Csatlakoztassa az AC tápkábelt a konnektorhoz.
2. Forgassa el az OFF/33/45 gombot a készülék bekapcsolásához, majd a lejátszott lemezeknek megfelelően állítsa be a sebességet.
3. Tegyen egy lemezt a lemezejátszóra. 45-ös fordulatszámú lemez lejátszásakor használja a 45 RPM-adaptert.
4. Emelje fel és helyezze a lemezkart a forgótányérra. A lemezkart helyezze a lemez szélére, és megkezdődik a lejátszás.
5. Szerelje fel az ellensúlyt és helyezze megfelelő pozícióba.

MEGJEGYZÉS: Az ellensúly funkciója, hogy gondoskodik a tű megfelelő nyomásáról. Ha a nyomás túl nagy, torzul a hang. Ha túl kicsi, akkor a tű gyakran átugorja a barázdákat. Állítsa be az ellensúlyt: ehhez forgassa az óramutató járásával egyező vagy ellenkező irányba.

6. A lejátszás szüneteltetéséhez vagy leállításához emelje fel és helyezze a lemezkart a tartóra.
7. A lemez végének elérésekor a lejátszókar és a forgás leáll. Emelje fel a lemezkart és helyezze a tartóra.

CSATLAKOZÓK

FIGYELEM: Kapcsolja ki a tápellátást minden egységen, mielőtt csatlakoztatást végez. Olvassa el a készülékkel használni kívánt egyes alkatrészek útmutatóját. Ügyeljen az egyes csatlakozók megfelelő beillesztésére. A zajos lejátszás elkerülése érdekében ne vezesse a jelkábeleket a tápkábellel együtt.

JELKIMENET

1. Állítsa a PRE-AMP OFF/ON KAPCSOLÓT az ON (BE) állásba.
2. Csatlakoztassa az RCA kábel (mellékelve) egyik végét a készülék hátlapján lévő LINE OUT csatlakozóhoz. Ügyeljen a csatlakozó szinkódolásának betartására.
3. Csatlakoztassa a kábel másik végét az erősítő LINE IN aljzatához.
4. Kapcsolja be a készüléket és a csatlakoztatott erősítőt.
5. Állítsa be a hangerőt az erősítőn.

HANGKIMENET CSATLAKOZTATÁSA

1. Állítsa a PRE-AMP OFF/ON KAPCSOLÓT az OFF (KI) állásba.

Csatlakoztassa a kábel (mellékelve) egyik végét a készülék hátlapján lévő PHONO OUT csatlakozóhoz. Ügyeljen a csatlakozó színekódolásának betartására.

3. Csatlakoztassa a kábel másik végét az erősítő PHONO IN aljzatához.

4. Kapcsolja be a készüléket és a csatlakoztatott erősítőt.

5. Állítsa be a hangerőt az erősítőn.

FEJHALLGATÓ HASZNÁLATA

1. Csatlakoztasson egy fejhallgatót (nincs mellékelve) a készülék előlapján lévő fejhallgató-aljzathoz.

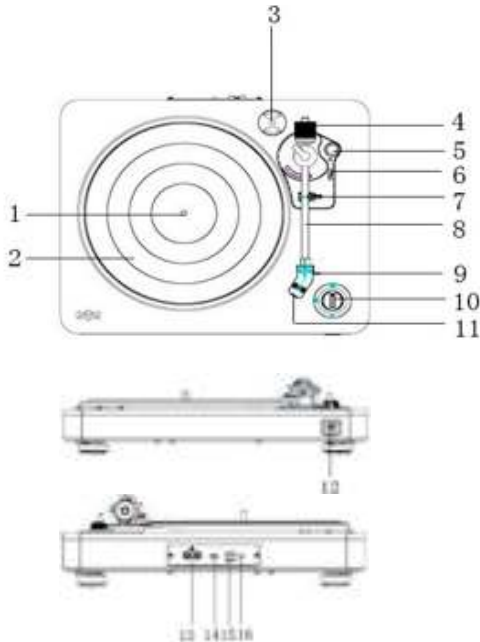
MEGJEGYZÉS: Soha ne vegye fel a fejhallgatót, amíg be nem dugta a fejhallgató csatlakozóját.

USB-PC FUNKCIÓ, AUDACITY SZOFTVER

Az Audacity szoftver USB-PC funkciójával kapcsolatos teljes útmutató a következő címen érhető el: <http://www.audacityteam.org/download/>

VEZÉRLŐK HELYE

1. Orsó
2. Forgótányér
3. 45 Rpm adapter
4. Ellensúly
5. Csúszásgátló gomb
6. Lejátszókar-emelő
7. Lejátszókar-tartó
8. Lejátszókar
9. Lemeztű
10. Off/33/45 gomb
11. Tűvédő fedél
12. Fülhallgató-csatlakozó
13. Rca kimeneti csatlakozók
14. Pre-amp off/on kapcsoló
15. Usb-csatlakozó
16. Tápcsatlakozó



LEMEZEK LEJÁTSZÁSA

1. Csatlakoztassa a külső erősítőt.
2. Helyezzen egy lemezt a forgótányér központi orsójára. Helyezze az EP-adaptert a központi orsóra, ha 45-ös fordulatszámú lemezt szeretne lejátszani.
3. Állítsa be a sebességet a lemezeknek megfelelően (33 vagy 45).
4. Oldja ki a lejátszókar reteszét és vegye le a tűvédő fedelet a lemeztűről.
5. Emelje fel a lejátszókart a lejátszókar-emelővel.
6. Helyezze a lejátszókart a lemez vagy a kívánt szám elejére.
7. A lejátszás megkezdéséhez óvatosan engedje le a lejátszókart a lemezre a lejátszókar-emelővel.
8. Ha a lemez véget ér, a lejátszókar automatikusan leáll. A manuális leállításához emelje fel a lejátszókart a lemeztűről és helyezze vissza a tartóra.

MEGJEGYZÉSEK:

- A lejátszókar kiegyensúlyozása előtt vegye le a tűvédő fedelet.
- Miközben bármilyen beállítást vagy műveletet végez, tartsa a lejátszókart, hogy megvédje a károsodástól.
- Ne próbálja az ellensúlyt lemezlejátszás közben beállítani, mivel ez a tű eltöréséhez és a lemez megkarcolódásához vezethet.
- Szállítás előtt rögzítse a helyére a lejátszókart a tű védelme érdekében.
- Szállítás előtt vegye le az ellensúlyt, hogy megelőzze a készülék megrongálódását.
- A forgótányért soha ne állítsa le vagy forgassa kézzel. A forgótányér mozgatása vagy leállítása a lejátszókar rögzítése nélkül a lejátszókar megrongálódásához vezethet.

CSÚSZÁSGÁTLÓ

A csúszásgátlót normál esetben a minimális fokozatra kell állítani. A csúszásgátló kompenzálja a befelé ható erőket, amelyek a lemez közepe felé haladva lépnek fel a lemeztűnél. Ha a lejátszás a középső orsó felé közeledve egyre többször ugrál, próbálja növelni a csúszásgátló erősségét, a tárcsán jelölt fokozatokban. Először próbálja 1 fokozattal növelni a csúszásgátlást, majd fokozatosan növelje tovább, ha szükséges.

MEGJEGYZÉS: A csúszásgátló gomb beállítása során ne mozgassa a lejátszókart és az ellensúlyt, hogy megelőzze a lemeztű károsodását.

HIBAEELHÁRÍTÁSI ÚTMUTATÓ

Ha a készüléken hibajelenséget tapasztal, tekintse át az alábbiakat, és próbálja megoldani a problémát, mielőtt a kereskedő segítségét kéri.

A TELJES KÉSZÜLÉK

PROBLÉMA	OK	MEGOLDÁS
A tápkapcsoló megnyomásakor nem kapcsol be a készülék.	A készülék nincs csatlakoztatva a konnektorhoz.	Csatlakoztassa a készüléket a váltóáramú áramforráshoz.
Nincs hang	A bemenet nem egyezik a forráskimenettel.	Válasszon másik forrást.
A lejátszás zajos.	A készülék túl közel van a TV-hez vagy más elektronikus berendezéshez.	Kapcsolja ki a TV-t vagy az egyéb elektronikus berendezést, és tegye a készüléket alkalmasabb helyre.
A készülék nem reagál, illetve nem lehet alaphelyzetbe állítani.	Külső tényezők (pl. elektrosztatikus kisülések) akadályozzák a megfelelő működést.	Húzza ki a tápkábelt és minden tápellátó eszközt, majd egy perc elteltével csatlakoztassa újra a készüléket.

HANGLEJÁTSZÓ

PROBLÉMA	OK	MEGOLDÁS
A lemez lejátszásakor zajos a hang.	A tű nem a barázda közepén halad.	Cserélje a tűegységet megfelelő, közepen haladó egységre.
Hosszabb használat után a hang zajossá válik.	A tűegység megsérült.	Cserélje a tűegységet.

BIZTONSÁGI ÓVINTÉZKEDÉSEK

FIGYELEM: Az áramütés és tűz kockázatának megelőzése érdekében ügyeljen, hogy ne érje a készüléket eső vagy nedvesség.

VIGYÁZAT: Ha az előírtaktól eltérő módosításokat vagy eljárásokat végez, sugárzási kockázatnak teheti ki magát.

VIGYÁZAT: ÁRAMÜTÉS VESZÉLYE – NE NYISSA FEL!



Az áramütés kockázatának csökkentése érdekében soha ne távolítsa el a készülék fedelét vagy hátlapját.



A készülék nem tartalmaz a felhasználó által javítható elemeket. Javítását bízza szakszervizre.

Az egyenlő oldalú háromszögben található villám szimbólum arra figyelmezteti a felhasználót, hogy a készülékházban nem szigetelt veszélyes feszültség áll fenn, amely akár áramütést is okozhat.

A háromszögben lévő felkiáltójel arra figyelmeztet, hogy a készülék biztonságos

használatához kötelező elolvasni a kezelési és karbantartási útmutatót.

(Lásd a készülék hátlapján lévő jelöléseket.)

A készülék üzemi feszültsége 100-240V. Ha a készüléket hosszú ideig nem használja, húzza ki a tápkábelt a konnektorból.

A készülék használata előtt ellenőrizze a csatlakozásokat.

A készüléket soha ne tegye ki nedvességnek vagy esőnek.

A készüléket úgy kell elhelyezni, hogy megfelelően szellőzhessen. Ne tegye például függönyök mellé, a szőnyegre, illetve zárt helyre, például könyvszekrénybe.

A készüléket óvja a közvetlen napfénytől és a hősugárzó források hatásától.

FONTOS BIZTONSÁGI TUDNIVALÓK:

1. Tartsa be az útmutató utasításait.
2. Tartsa be az összes figyelmeztetést.
3. Ne használja a berendezést víz közelében.
4. Csak száraz kendővel tisztítsa.
5. Ne dugítsa el a szellőzőnyílásokat. A gyártó utasításai szerint helyezze üzembe.
6. Ne használja hőforrás közelében, mint például radiátor, kályha, vagy egyéb, hő termelő berendezések (pl. erősítők).
7. Védje a tápkábelt a taposás, megtörés és becsípődés ellen, különösen a dugóból, hosszabbítóból és a készülékből kilépés helyein.
8. Csak a gyártó által ajánlott tartozékokat/kiegészítőket használja.
9. Húzza ki a konnektorból viharos időben vagy ha hosszabb ideig nem használja.
10. Bízva javítását szakszervizre. A berendezés javításra szorul, ha megsérült – például sérült a tápkábele, leesett, víz vagy idegen tárgy került a belsejébe, eső vagy nedvesség érte, vagy ha nem működik megfelelően.
11. Vigyázzon, hogy ne érje a készüléket eső vagy nedvesség, mert ettől áramütés-veszélyes lesz.
12. VIGYÁZAT: Az akkumulátor nem megfelelő cseréje robbanásveszélyes lehet. Csak azonos vagy engedélyezett típusú akkumulátort használjon a csere során.

WEEE-MAGYARAZAT



Ez a jeloles azt jelzi, hogy ezt a termeket az Europai Unioban nem szabad a haztartasi hulladek kozé dojni. Azellenőrizetlen hulladek kezelesből szarmazo környezeti vagy egeszsegugyi kar elkerulese vegett, es a targyi keszletek fenntartható kezelese jegyeben felelősségteljesen hasznosítsa újra. A hasznalt eszkoz visszakuldeséhez kerjuk, használja a visszakuldő es gyűjtő rendszereket, vagy lépjen kapcsolatba azzal a forgalmazozoval, ahonnan a keszuleket vasarolta. A termeket ezek a szolgaltatok környezetvedelmileg biztos ujrahasznosító helyre viszik.

ELEMEKRE VONATKOZO IRANYELV



Ez a szimbólum azt jelzi, hogy az elemek nem dobhatók haztartási hulladék közé, mivel olyan anyagokat tartalmaznak, amelyek károsak lehetnek a környezetre és az egészségre. Kerjük, vigye a használt elemeket a kijelölt gyűjtőhelyre.

FIGYELEM! Az elemet (a távirányítóban) nem szabad túlzott hőhatásnak, például napsütésnek, tűznek vagy hasonló hatásnak kitenni.

FIGYELEM! NE NYELJE LE AZ AKKUMULÁTORT! VEGYI ÉGÉS VESZÉLYE.A termék gombelemet tartalmaz. A gombelem lenyelve mindössze 2 órán belül súlyos, akár halálos belső égési sérüléseket okozhat. Tartsa az új és használt elemeket gyermekektől elzárva. Amennyiben az elem rekesze nem záródik biztonságosan, szüntesse be a készülék használatát, és tartsa azt gyermekektől távol. Ha úgy véli, hogy az elemeket lenyelhették, vagy valamely testrészbe kerültek, azonnal forduljon orvoshoz.

A készüléket csak abban az esetben használhatják 8 évesnél fiatalabb gyermekek és csökkent fizikai, érzékelési vagy mentális képességekkel rendelkezők, illetve olyan személyek, akik nincsenek kellő gyakorlat vagy tudás birtokában, ha a biztonságukért felelős személy felügyelete alatt állnak, aki ismerteti a készülék biztonságos használatát, illetve ha megértették a használattal járó veszélyeket. Gyermekek nem játszhatnak a készülékekkel. A tisztítást és a felhasználói karbantartást gyermekek kizárólag felügyelet mellett végezhetik el.



GRAMOFON STIR IT UP INSTRUKCJA OBSŁUGI GRAMOFONU

Witamy w House of Marley

Czujemy się zaszczytzeni, że wybrałeś gramofon Stir It Up, aby stał się częścią Twoich muzycznych uniesień. Gramofon Stir It Up zawiera elementy konstrukcyjne i materiałowe z naszego głośnika Get Together BT oraz ozdobne detale w stylu retro nawiązujące do czasów Boba Marleya (1960-1980). Prosta forma z bogatą selekcją materiałów i wykończeń. Ciesz się błyskiem naturalnych materiałów.

PRZED UŻYCIEM

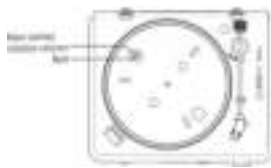
1. Starannie dobierz miejsce instalacji gramofonu. Nie stawiaj go w miejscu, gdzie będzie narażony na bezpośrednie działanie promieni słonecznych ani zbyt blisko źródła ciepła. Unikaj także miejsc narażonych na wibracje i nadmierne zapylenie, zimno lub wilgoć. Trzymaj z dala od źródeł interferencji, takich jak transformatory czy silniki.
2. Nie otwieraj obudowy, gdyż może to doprowadzić do uszkodzenia obwodów lub porażenia prądem elektrycznym. Jeśli do urządzenia przedostanie się ciało obce, skontaktuj się z działem obsługi klienta.
3. Nie dotykaj płyt brudnymi palcami. Nie odtwarzaj płyt, które mają zarysowaną powierzchnię.
4. Wyjmując wtyczkę z gniazdka, zawsze ciągnij bezpośrednio na wtyczkę, a nie za przewód.
5. Aby chronić igłę, nie zapominaj o założeniu białej nasadki.
6. Nie czyść urządzenia rozpuszczalnikiem chemicznym, ponieważ może to uszkodzić jego powierzchnię. Do czyszczenia używaj czystej i suchej ściereczki.
7. Aby całkowicie odciąć zasilanie od urządzenia, wyjmij wtyczkę z gniazdka ściennego. Pamiętaj o odłączeniu zasilania, jeśli nie zamierzasz używać urządzenia przez dłuższy okres czasu, na przykład w czasie urlopu.
8. Przechowaj niniejszą instrukcję w bezpiecznym miejscu w celu późniejszego wykorzystania.

INSTALACJA

1. Wyjmij wszystkie elementy z opakowania i umieść produkt na stabilnej powierzchni.
2. Załóż pasek na dole metalowego talerza. Sprawdź, czy po założeniu pasek nie jest poskręcany. Kciukiem napnij pasek, jak na poniższej ilustracji.
3. Odwróć talerz, przez cały czas przytrzymując pasek. Następnie załóż talerz na gramofon, wsuwając go na bolec.
4. Przytrzymując pasek kciukiem, nałóż go na główną (białą) kolumnę obrotową trójkątnego układu napędowego.
5. Załóż gumową matę na talerz. Teraz główny element gramofonu jest już gotowy.

UWAGA: Aby rozłożyć gramofon, chwyć za talerz i unieś go do góry.

6. Zdejmij przeciwwagę i umieść ją we właściwym miejscu na ramieniu gramofonu (patrz ilustracja).
7. Zdejmij nakładkę 45 obr./min i załóż ją w nowym miejscu, czyli w prawym górnym rogu gramofonu.



ZASILANIE GRAMOFONU

Gramofon Stir It Up jest zasilany prądem zmiennym ze standardowego gniazdka ściennego.

1. Podłącz gramofon Stir It Up do zasilania sieciowego.
2. Włóż wtyczkę do odpowiedniego gniazdka ściennego.

ŁATWOŚĆ UŻYCIA

1. Włóż wtyczkę przewodu zasilającego do gniazdka ściennego.
2. Pokrętleń OFF / 33 / 45 włącz urządzenie i wybierz prędkość w zależności od płyty, którą chcesz odtworzyć.
3. Załóż płytę na gramofon. Aby odtworzyć płytę 45 obr./min załóż nakładkę, która się znajduje w prawym górnym rogu gramofonu.
4. Unieś ramię gramofonu i ustaw je nad płytą. Po ustawieniu ramienia gramofonu nad krawędzią płyty gramofon zacznie odtwarzać płytę.
5. Załóż ciężarek przeciwwagi i ustaw go w odpowiedniej pozycji.

UWAGA: Jego zadaniem jest regulacja siły nacisku igły. Jeżeli igła będzie zbyt mocno przylegać do płyty, wystąpią zakłócenia dźwięku; jeśli siła nacisku będzie zbyt mała, igła może przeskakiwać. Ciężarek przeciwwagi można wyregulować, obracając go w lewo lub w prawo.

6. Aby wstrzymać lub przerwać odtwarzanie, unieś i przestaw ramię gramofonu z powrotem na podpórkę.
7. Po odtworzeniu całej strony ramię i płyta przestaną się obracać. Unieś ramię i ręcznie odłóż je na podpórkę.

POŁĄCZENIA

OSTROŻNIE: Wyłącz zasilanie wszystkich urządzeń przed dokonaniem połączeń. Przeczytaj instrukcje dotyczące każdego elementu, którego zamierzasz używać razem z gramofonem. Każda wtyczka powinna być dobrze włożona do wejścia. Aby zapobiec powstawaniu brzęczenia i hałasu, staraj się nie zwiijać przewodów akustycznych razem z przewodem zasilającym.

LINIA WYJŚCIA

1. Ustaw przełącznik PRE-AMP OFF/ON SWITCH w pozycji ON.
2. Podłącz jeden koniec kabla RCA (w zestawie) do gniazda LINE OUT z tyłu urządzenia. Pamiętaj, aby dopasować kolor kabla do koloru gniazda.
3. Podłącz drugi koniec kabla do gniazda LINE IN w domowym wzmacniaczu.
4. Włącz gramofon oraz wzmacniacz, do którego jest podłączony.
5. Ustaw głośność na wzmacniaczu.

WYJŚCIE PHONO

1. Ustaw przełącznik PRE-AMP OFF/ON SWITCH w pozycji OFF.
2. Podłącz jeden koniec kabla (w zestawie) do gniazda PHONO OUT z tyłu urządzenia. Pamiętaj, aby dopasować kolor kabla do koloru gniazda.
3. Podłącz drugi koniec kabla do gniazda PHONO IN w domowym wzmacniaczu.
4. Włącz gramofon oraz wzmacniacz, do którego jest podłączony.
5. Ustaw głośność na wzmacniaczu.

SŁUCHAWKI

1. Podłącz słuchawki (nie ma w zestawie) do gniazda słuchawek na przednim panelu urządzenia.

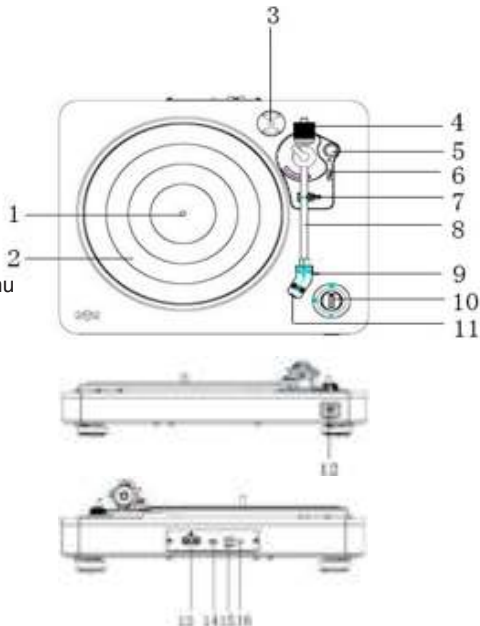
UWAGA: Nigdy nie zakładaj słuchawek przed ich podłączeniem.

Funkcja USB-PC, Oprogramowanie Audacity

Pełną instrukcję oprogramowania Audacity USB-PC można znaleźć pod adresem <http://www.audacityteam.org/download/>

ROZMIESZCZENIE PRZYCISKÓW

1. Bolec
2. Talerz
3. Nakładka 45 obr./Min
4. Ciężarek przeciwwagi
5. Pokrętko przeciwpoślizgowe
6. Poziom uniesienia ramienia gramofonu
7. Podpórka ramienia gramofonu
8. Ramię gramofonu
9. Igła
10. Pokrętko off / 33 / 45
11. Nasadka na igłę
12. Gniazdo słuchawkowe
13. Gniazda wyjścia rca
14. Przełącznik pre-amp off/on
15. Gniazdo usb
16. Gniazdo zasilania ac



ODTWARZANIE PŁYTY

1. Podłącz zewnętrzny wzmacniacz.
2. Umieść płytę na talerzu, na środkowym bolcu. Aby odtworzyć płytę typu 45 obr./min, załóż nakładkę EP na środkowym bolcu.
3. Ustaw przełącznik prędkości na 33 lub 45 obr./min w zależności od płyty.
4. Zwolnij zacisk ramienia gramofonu i zdejmij nasadkę z igły.
5. Unieś ramię gramofonu specjalną dźwignią.
6. Przesuń ramię gramofonu na początek płyty lub na początek wybranego utworu.
7. Delikatnie opuść ramię gramofonu na płytę przy użyciu specjalnej dźwigni, aby rozpocząć odtwarzanie.
8. Po zakończeniu odtwarzania płyty ramię gramofonu automatycznie się zatrzyma. Aby ręcznie zatrzymać odtwarzanie, unieś ramię gramofonu z płyty i odstaw je na podpórkę.

UWAGI:

- Przed wyważeniem ramienia gramofonu zdejmij nasadkę z igły.
- Podczas wykonywania wszelkich regulacji i innych czynności przytrzymaj ramię gramofonu, aby je chronić przed uszkodzeniem.
- Nie próbuj regulować ciężarka przeciwwagi podczas odtwarzania płyty, ponieważ może to spowodować pęknięcie igły i zadrapanie płyty.
- Zabezpiecz ramię gramofonu przed transportem, aby chronić igłę.
- Usuń ciężarek przeciwwagi przed transportem, aby uniknąć uszkodzenia lub połamania urządzenia.
- Nie kręć ręcznie talerzem. Poruszanie lub przytrzymywanie obracającego się talerza może uszkodzić ramię gramofonu, jeśli nie zostało wcześniej zabezpieczone.

POKRĘTŁO PRZECIWOŚLIZGOWE

W normalnych warunkach pokrętło przeciwpoślizgowe powinno być ustawione na wartość minimalną. Jego zadaniem jest kompensacja siły dośrodkowej, która występuje, kiedy igła zbliża się do środka płyty. Jeśli igła, zbliżając się do środka płyty, przeskakuje, spróbuj zwiększyć ustawienie pokrętła przeciwpoślizgowego o kolejne wskazane na nim wartości. Zacznij od zwiększenia wartości o 1, sprawdź, czy działa, i ewentualnie zwiększ jeszcze bardziej.

UWAGA! Podczas regulacji pokrętłem przeciwpoślizgowym nie trzymaj ramienia gramofonu ani ciężarka przeciwwagi, aby nie zniszczyć igły.

PODRĘCZNIK ROZWIĄZYWANIA PROBLEMÓW

W razie problemów z urządzeniem przejrzyj poniższe rozwiązania i sprawdź, czy możesz samodzielnie rozwiązać problem, a dopiero potem zadzwoń do dealera.

CAŁE URZĄDZENIE

PROBLEM	PRZYCZYNA	ROZWIĄZANIE
Urządzenie nie ma zasilania po naciśnięciu przycisku zasilania.	Urządzenie jest odłączone od zasilania.	Podłącz urządzenie do zasilania sieciowego.
Brak dźwięku	Rzeczywisty sygnał wejściowy nie pasuje do wybranego źródła sygnału.	Ponownie wybierz źródło.
Występują zakłócenia dźwięku.	Urządzenie stoi zbyt blisko telewizora lub innego podobnego urządzenia.	Wyłącz telewizor lub inne urządzenie i przestaw gramofon.
Urządzenie nie odpowiada lub nie można go wyzerować.	Zakłócenia są spowodowane czynnikami zewnętrznymi, takimi jak wyładowania elektrostatyczne.	Wymij przewód zasilający i odłącz wszelkie zasilacze, a następnie podłącz je ponownie do urządzenia po upływie jednej minuty.

GRAMOFON

PROBLEM	PRZYCZYNA	ROZWIĄZANIE
Dźwięk odtwarzanej płyty ma dużo szumów.	Igła nie jest założona na samym środku.	Ustaw igłę na środku.
Odtwarzana płyta po czasie zaczyna szumieć.	Igła jest uszkodzona.	Założ nową igłę.

ŚRODKI OSTROŻNOŚCI DOTYCZĄCE BEZPIECZEŃSTWA

OSTRZEŻENIE! W celu zmniejszenia zagrożenia pożarem lub porażeniem elektrycznym nie należy pozostawiać urządzenia na deszczu ani w wilgotnych miejscach.

UWAGA: Użycie elementów sterujących, ustawień lub zastosowanie procedur innych niż określone w tym dokumencie może skutkować niebezpieczną ekspozycją na promieniowanie.

UWAGA: RYZYKO PORAŻENIA PRĄDEM ELEKTRYCZNYM — NIE OTWIERAĆ!

Aby zmniejszyć ryzyko porażenia prądem, nie należy zdejmować pokrywy ani tylnej osłony urządzenia.

W środku nie ma części, które nadawałyby się do serwisowania. Wszelkie naprawy serwisowe należy zlecać wykwalifikowanemu personelowi.



Migająca lampka z symbolem grotu umieszczonym w trójkącie równoramiennym służy do tego, aby ostrzec użytkownika o obecności nieizolowanego „niebezpiecznego napięcia” w obudowie urządzenia, którego wartość może powodować zagrożenie porażeniem prądem.



Wykrzyknik w trójkącie równoramiennym ostrzega użytkownika o obecności ważnych instrukcji na temat obsługi i konserwacji w literaturze dołączonej do urządzenia.

(Patrz oznaczenia na tylnej stronie urządzenia).

Urządzenie jest zasilane prądem 100-240V. Jeżeli urządzenie nie będzie używane przez długi okres czasu, należy wyjąć wtyczkę z gniazdka sieciowego.

Przed uruchomieniem urządzenia sprawdź, czy wszystkie połączenia są dobrze wykonane.

To urządzenie nie może być narażone na działanie wilgoci ani deszczu.

To urządzenie należy ustawić w taki sposób, aby mu zapewnić odpowiednią wentylację. Najlepiej nie ustawiać go w pobliżu firan ani zasłon, na dywanie ani na elemencie zabudowy, takim jak biblioteczka.

Urządzenie nie może być wystawione na bezpośrednie działanie promieni słonecznych ani na promieniowanie ciepłe.

WAŻNE INSTRUKCJE DOTYCZĄCE BEZPIECZEŃSTWA

1. Postępować zgodnie z informacjami zawartymi w instrukcji i zachować ją na przyszłość.
2. Stosować się do wszystkich ostrzeżeń.
3. Nie włączać urządzenia w pobliżu wody.
4. Urządzenie należy czyścić wyłącznie za pomocą suchej szmatki.
5. Nie blokować żadnych otworów wentylacyjnych. Podłączać urządzenie zgodnie z zaleceniami producenta.
6. Nie podłączać urządzenia w pobliżu źródeł ciepła, takich jak: grzejniki, nawiewy, kuchenki lub inne urządzenia (włączając wzmacniacze).
7. Chronić przewód zasilający przed uszkodzeniami spowodowanymi chodzeniem po przewodzie. Nie ścisnąć przewodu, w szczególności w pobliżu wtyczki, gniazdka ściennego oraz miejsca podłączenia do urządzenia.
8. Stosować wyłącznie sprzęt/akcesoria określone przez producenta.
9. Odłączać urządzenie od zasilania podczas burzy lub w przypadku dłuższego niekorzystania.
10. Wszelkie naprawy serwisowe należy zlecać wyłącznie wykwalifikowanemu personelowi. Naprawy serwisowe wymagane są w przypadku dowolnego uszkodzenia urządzenia, np. uszkodzenie przewodu zasilającego lub wtyczki, rozlanie cieczy na urządzenie, przedostanie się obcego przedmiotu do wnętrza urządzenia, pozostawienie urządzenia na deszczu lub w miejscu wilgotnym, w przypadku nieprawidłowe-

go działania lub jego upuszczenia.

11. W celu zmniejszenia zagrożenia pożarem lub porażeniem elektrycznym nie należy pozostawiać urządzeń na deszczu ani w wilgotnych miejscach.
12. UWAGA: Nieprawidłowy montaż baterii grozi wybuchem. Baterie należy wymieniać wyłącznie na takie same lub tego samego typu.

OBJAŚNIENIE WEEE



Ten znak wskazuje, że na obszarze UE przyrządu nie wolno pozbywać się wyrzucając do śmieci domowych. Aby chronić środowisko i zdrowie, którym zagraża nieodpowiednia utylizacja odpadów, przyrząd należy recyklingowi, aby umożliwić odzysk materiałów, z których został wykonany. Aby dokonać zwrotu zużytego przyrządu, należy skorzystać z programów zwrotu i odbioru lub skontaktować punkt zakupu urządzenia.

Produkt zostanie odebrany do bezpiecznego dla środowiska recyklingu.

DYREKTYWA DOT. BATERII



Ten symbol oznacza, że baterii nie można wyrzucać wraz z odpadami domowymi, ponieważ baterie zawierają substancje, które mogą być szkodliwe dla środowiska oraz zdrowia. Baterie należy dostarczyć do wyznaczonych punktów zbiorki.

OSTRZEŻENIE

Baterii (wpilocie) nienależy wystawiać nadziałan nadmiernego ciepła, takiego jak promienie słoneczne, pożar lub podobne źródła ciepła

OSTRZEŻENIE

nie pomylić baterii, niebezpieczeństwo poparzenia chemicznego. Niniejszy produkt zawiera baterię pastylkową. Połknięcie tej baterii może spowodować ciężkie poparzenia wewnętrzne w ciągu dwóch godzin i doprowadzić do śmierci. Przechowywać nowe i zużyte baterie poza zasięgiem dzieci. Jeśli przedział na baterie nie został prawidłowo zamknięty, należy zaprzestać użytkowania produktu i przechowywać go poza zasięgiem dzieci. W przypadku podejrzenia połknięcia lub umieszczenia baterii wewnątrz innej części ciała niezwłocznie zasięgnąć porady lekarza.

Urządzenie to może być użytkowane przez dzieci w wieku od 8 lat oraz przez osoby o ograniczonej sprawności fizycznej, sensorycznej lub umysłowej, a także przez osoby nieposiadające doświadczenia i odpowiedniej wiedzy, o ile znajdują się one pod nadzorem osoby odpowiedzialnej za ich bezpieczeństwo lub otrzymały od niej instrukcje dotyczące bezpiecznego użytkowania urządzenia i są one świadome związanych z tym zagrożeń. Urządzenie to nie jest przeznaczone dla dzieci do zabawy. Czynności związane z czyszczeniem i konserwacją, które należą do obowiązków użytkownika, nie mogą być wykonywane przez dzieci bez nadzoru.



GRAMOFÓN STIR IT UP POKYNY PRE PREHRÁVANIE GRAMOPLATNÍ

Víta vás spoločnosť House of Marley

Je pre nás čťou, že gramofón Stir It Up ste si vybrali ako súčasť svojho hudobného sveta. Stir It Up sa vyznačuje dizajnom a materiálmi podobnými nášmu reproduktoru Get Together BT a detailmi gramofónu v retro štýle z éry Boba Marleyho (1960 – 1980). Jednoduché tvary s bohatými materiálmi, vkusná a kvalitná povrchová úprava. Zvýraznenie prírodných materiálov.

PRED POUŽITÍM

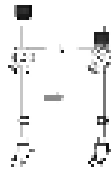
1. Dôkladne si vyberte miesto pre umiestnenie prístroja. Vyhnite sa miestam s priamym dopadom slnečného svetla a blízkosti zdrojov tepla. Takisto sa vyhnite miestam vystaveným vibráciám a nadmernému prachu, chladu a vlhkosti. Miesto by malo byť dostatočne vzdialené od zdrojov, ktoré vydávajú brum, ako sú transformátory a motory.
2. Skrinku prístroja neotvárajte, mohlo by dôjsť k poškodeniu obvodov alebo úrazu elektrickým prúdom. V prípade vniknutia cudzích predmetov do prístroja kontaktujte oddelenie služieb zákazníkom.
3. S platňou nemanipulujte špinavými rukami. Nikdy neprehrávajte platňu, ktorá má na povrchu prasklinu.
4. Pri vyťahovaní zástrčky zo sieťovej zásuvky vždy ťahajte priamo za zástrčku, nikdy nie za šnúru.
5. Dbajte na riadnu ochranu ihly, po použití nezabudnite na ňu založiť biely ochranný kryt.
6. Prístroj sa nepokúšajte čistiť chemickými rozpúšťadlami, mohli by poškodiť jeho povrchovú úpravu. Použite čistú a suchú handričku.
7. Prístroj úplne odpojte od napájania vytiahnutím napájacej šnúry zo sieťovej zásuvky. Ak ho neplánujete používať dlhšiu dobu, napríklad cez dovolenku, dbajte na vytiahnutie napájacej šnúry zo zásuvky.
8. Túto príručku uložte na bezpečnom mieste, aby ste ju v budúcnosti mohli použiť.

MONTÁŽ

1. Z balenia vyťahnite všetky komponenty a prístroj položte na stabilný povrch.
2. Založte pás okolo spodnej časti kovového taniera. Skontrolujte, či ste ho pri zakladaní nepretočili. Pás napnite palcom tak, ako to je uvedené na obrázku nižšie.
3. Tanier prevráťte a pás stále pridržiavajte. Stred taniera zosúlďte s oskou a nasuňte ho na prístroj.
4. Pás, ktorý držíte palcom, založte okolo hlavného (bieleho) otočného stĺpika prevodových stĺpikov, usporiadaných do trojuholníka.
5. Gumenú podložku položte na platňu gramofónu. Základné zostavenie je hotové.

POZNÁMKA: Pri demontáži gramofónu uchopte tanier a zdvihnite ho nahor

6. Zoberte protizávažie a založte ho na správne miesto na ramene prenosky (pozri obrázok).
7. Zoberte adaptér na 45 otáčok a položte ho na jeho nové miesto v pravom hornom rohu prehrávača platní.



NAPÁJANIE GRAMOFÓNU STIR IT UP

Gramofón Stir It Up sa napája striedavým prúdom zo sieťovej zásuvky.

1. Napájaciu šnúru zasuňte do prístroja Stir It Up.
2. Zástrčku sieťovej šnúry zasuňte do sieťovej zásuvky.

JEDNODUCHÉ POUŽÍVANIE

1. Napájaciu šnúru zasuňte do sieťovej zásuvky.
2. Prístroj zapnite otočením gombíka OFF / 33/45 a zvolte si otáčky podľa platne, ktorú si idete vypočuť.
3. Platňu položte na tanier. Pre prehratie platne s otáčkami 45 ot/min nezabudnite použiť adaptér na 45 ot/min, ktorý sa nachádza v pravom hornom rohu.
4. Prenosku nadvihnite a presuňte nad platňu. Položte ju na okraj platne a platňa začne hrať.
5. Založte vyvažovacie závažie a nastavte ho do správnej polohy.

POZNÁMKA: Vyvažovacie závažie slúži na nastavenie tlaku na ihlu. Ak je tlak príliš veľký, zvuk bude skreslený. Ak je tlak príliš malý, ľahko môže dôjsť k preskakovaniu stôp. Vyvažovacie závažie nastavte jeho natáčaním doprava alebo doľava.

6. Ak chcete prehrávanie dočasne prerušiť alebo ukončiť, prenosku manuálne nadvihnite a presuňte ju na podstavec.
7. Po ukončení prehrávania sa pohyb prenosky a otáčanie taniera zastavia. Prenosku manuálne nadvihnite a položte ju na podstavec.

PRIPOJENIA

UPOZORNENIE: Pred pripojením vypnite napájanie všetkých zariadení. Prečítajte si pokyny na používanie všetkých zariadení, ktoré chcete použiť s týmto prístrojom. Dbajte na dôkladné zasunutie každého spoja. Aby ste zabránili prenosu brumu a šumu, káble prenášajúce signál neobtáčajte okolo napájacej šnúry.

POUŽÍVANIE VÝSTUPU LINE OUT

1. Prepínač PRE-AMP OFF/ON prepnite do polohy ON.
2. Jeden koniec kábla RCA (je súčasťou balenia) zasuňte do zásuvky LINE OUT na zadnej časti prístroja. Dbajte na dodržanie farebného značenia podľa zásuvky.
3. Druhý koniec kábla zasuňte do zásuvky LINE IN vášho domáceho zosilňovača.
4. Zapnite prístroj aj pripojený zosilňovač.
5. Upravte hlasitosť na zosilňovači.

POUŽÍVANIE VÝSTUPU PHONO OUT

1. Prepínač PRE-AMP OFF/ON prepnite do polohy OFF.
2. Jeden koniec kábla (je súčasťou balenia) zasuňte do zásuvky PHONO OUT na zadnej časti prístroja. Dbajte na dodržanie farebného značenia podľa zásuvky.
3. Druhý koniec kábla zasuňte do zásuvky PHONO IN vášho domáceho zosilňovača.
4. Zapnite prístroj aj pripojený zosilňovač.
5. Upravte hlasitosť na zosilňovači.

POUŽÍVANIE SLÚCHADIEL

1. Slúchadlá (nie sú súčasťou balenia) pripojte k zásuvke Earphone na prednom paneli prístroja.

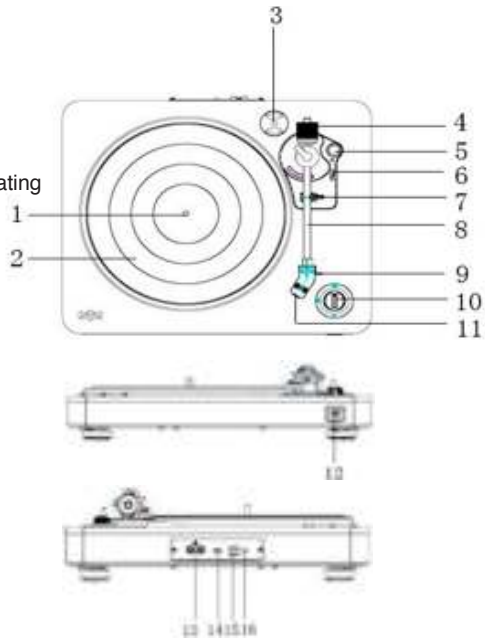
POZNÁMKA: Pred zapojením slúchadiel do zásuvky si ich nikdy nezaložte na hlavu.

FUNKCIA USB-PC, SOFTVÉR AUDACITY

Postup pre používanie funkcie USB-PC softvéru Audacity nájdete na <http://www.thehouseofmarley.com/instructionbooks>

UMIESTNENIE OVLÁDAČOV

1. Oska
2. Platňa
3. Adaptér na 45 ot/min
4. Vyvažovacie závažie
5. Otočný regulátor systému anti-skating
6. Páčka zdvíhania prenosky
7. Podstavec prenosky
8. Prenoska
9. Ihla
10. Gombík off / 33/45
11. Kryt ihly
12. Zdierka pre slúchadlo
13. Zásuvky pre výstup rca
14. Spínač pre-amp off/on
15. Zásuvka usb
16. Zásuvka pre striedavý prúd



PREHRÁVANIE PLATNÍ

1. Pripojte externý zosilňovač
2. Platňu položte cez stredovú osku na tanier. Ak prehrávate platne s otáčkami 45 ot/min, na stredovú osku založte adaptér EP.
3. Podľa typu platne nastavte volič otáčok na 33 alebo 45 ot/min.
4. Uvoľnite poistku prenosky a zložte kryt ihly.
5. Prenosku nadvihnite páčkou na jej dvíhanie.
6. Prenosku presuňte na začiatok platne alebo na začiatok príslušnej stopy.
7. Prehrávanie platne začnite jemným položením prenosky na platňu.
8. Po ukončení prehrávania sa prenoska automaticky zastaví. Ak chcete prehrávanie ukončiť manuálne, zdvihnite prenosku a položte ju na podstavec.

POZNÁMKY:

- Pred vyvažovaním prenosky zložte kryt ihly.
- Prenosku držte pri každom nastavovaní alebo úprave, aby ste ju chránili pred poškodením.
- Nepokúšajte sa nastavovať vyvažovacie závažie počas prehrávania, pretože by mohlo dôjsť k zlomeniu ihly a poškrabaniu platne.
- Prenosku zaistite pred každým presunom, aby ste chránili ihlu.
- Vyvažovacie závažie pred presunom zložte, aby ste zabránili poškodeniu alebo rozbitiu prístroja.
- Otáčanie platne nezastavujte rukou. Pohybovanie alebo trasenie tanierom bez zaistenia prenosky môže spôsobiť jej poškodenie.

SYSTÉM ANTI-SKATING

Systém anti-skating (kompenzácia dostredivej sily) má byť normálne nastavený na minimálnu hodnotu. Anti-skating kompenzuje sily smerujúce do stredu platne, ktoré sa prejavujú určitým nadvihovaním prenosky, keď sa blíži ku stredu platne. Ak pri pohybe prenosky ku stredovej oske dochádza k jej poskakovaniu, pokúste sa zvýšiť kompenzáciu po prírastkoch znázornených na stupnici. Začnite pridaním prírastku 1, vyskúšajte chovanie prenosky a v prípade potreby prírastok zvýšte atď.

POZNÁMKA: Pri nastavovaní gombíkom systému anti-skating sa nedotýkajte prenosky a vyvažovacieho závažia, aby nedošlo k poškodeniu ihly.

NÁVOD NA RIEŠENIE PROBLÉMOV

V prípade problémov s prístrojom si pozrite nižšie uvedené situácie, podľa nich možno dokážete vyriešiť problém a nebudete musieť kontaktovať predajcu.

CELÝ PRÍSTROJ

PROBLÉM	PRÍČINA	RIEŠENIE
Prístroj nie je po stlačení vypínača napájaný.	Prístroj nie je pripojený do siete.	Zástrčku napájacej šnúry zasuňte do sieťovej zásuvky.
Žiadny zvuk	Funkčný vstup nezodpovedá zdrojovému vstupu.	Zvoľte iný zdroj.
Zvuk je zašumený.	Prístroj je veľmi blízko k TV prijímaču alebo inému podobnému zariadeniu.	Vypnite TV alebo iné zariadenie a prístroj premiestnite.
Prístroj nereaguje alebo sa nedá resetovať.	Ovplyvňujú ho externé faktory ako ESD (elektrostatický výboj).	Vyťahnite napájaciu šnúru a všetky napájacie zariadenia, po jednej minúte prístroj zapojte znovu.

GRAMOFÓN

PROBLÉM	PRÍČINA	RIEŠENIE
Zvuk pri prehrávaní platne je zašumený.	Ihla nie je umiestnená presne v strede.	Ihlu umiestnite presne doprostred.
Zvuk je pri dlhšom používaní zašumený.	Ihla je poškodená.	Vymeňte ihlu za novú.

BEZPEČNOSTNÉ OPATRENIA

VAROVANIE: Aby ste zabránili riziku požiaru alebo zásahu elektrickým prúdom, tento prístroj nevystavujte dažďu ani vlhkosti.

UPOZORNENIE: Použitie ovládačov, nastavení alebo postupov činnosti iným, než uvedeným spôsobom, môže zapríčiniť vystavenie nebezpečnému žiareniu.

UPOZORNENIE: NEBEZPEČENSTVO ÚRAZU ELEKTRICKÝM PRÚDOM – NEOTVÁRAŤ!

Nebezpečenstvo úrazu elektrickým prúdom znížite, ak nebudete skladať kryt ani zadnú časť.

Vo vnútri nie sú žiadne časti, ktoré by mohol opraviť používateľ. Servisné zákroky zverte kvalifikovanému technikovi.



Účelom znaku svetelného blesku so symbolom šípky v rovnostrannom trojuholníku je upozorniť používateľa na prítomnosť neizolovaného „nebezpečného napätia“ v skrinke prístroja, ktoré môže byť dostatočne veľké na vytvorenie nebezpečenstva úrazu elektrickým prúdom.



Účelom výkričníka v rovnostrannom trojuholníku je upozorniť používateľa na existenciu dôležitých pokynov pre prevádzku a údržbu (servis) v literatúre dodanej s prístrojom.

(Pozri označenia na zadnej strane prístroja.)

Tento prístroj je napájaný napätím 100-240V. Ak prístroj nebudete dlhšiu dobu používať, vytriahnite zástrčku zo sieťovej zásuvky.

Pred zapnutím prístroja skontrolujte správne vykonanie všetkých spojov.

Prístroj sa nesmie vystaviť vlhkosti ani dažďu.

Musí sa umiestniť tak, aby jeho poloha umožňovala dostatočné prúdenie vzduchu. Neumiestňujte ho napríklad tesne k záclonám, na koberec, ani do uzatvorených priestorov ako je knižnička.

Prístroj nevystavujte priamemu slnečnému svetlu ani zdrojom tepelného vyžarovania.

DÔLEŽITÉ BEZPEČNOSTNÉ POKYNY

1. Tieto pokyny si uložte a dodržujte ich.
2. Dbajte na všetky upozornenia.
3. Systém nepoužívajte v blízkosti vody.
4. Čistite ho iba suchou handričkou.
5. Neblokujte vetracie otvory. Pri inštalácii dodržiavajte pokyny výrobcu.
6. Systém neinštalujte v blízkosti žiadneho zdroja tepla, napríklad ohrievačov, radiátorov, sporákov a podobných zariadení (vrátane zosilňovačov), ktoré vyvíjajú teplo.
7. Napájací kábel chráňte pred zašľapnutím alebo priškripaním, najmä v blízkosti zástrčky, sieťovej zásuvky a miesta, kde vychádza zo systému.
8. Používajte len prídavné zariadenia/príslušenstvo určené výrobcom.
9. Systém odpojte od siete počas búrky alebo ak ho nebudete dlhodobo používať.
10. Všetky servisné zákroky zverte kvalifikovanému technikovi. Servisný zákrok je nutný v prípade akéhokoľvek poškodenia systému, napr. pri poškodení napájacieho kábla či zástrčky, rozliatia kvapaliny alebo preniknutia cudzích predmetov do systému, zmoknutia systému alebo preniknutia vlhkosti, ak systém nefunguje normálne alebo ak spadol na zem.
11. V záujme predchádzania riziku požiaru alebo zásahu elektrickým prúdom nevystavujte systém dažďu ani vlhkosti.
12. **UPOZORNENIE:** Ak batériu vložíte nesprávne, môže vybuchnúť. Pri výmene vkladajte len rovnaký alebo rovnocenný typ.

WEEE POPIS



Tento symbol znamená, že výrobok by sa v rámci celej EÚ nemal vyhadzovať do domáceho odpadu. Aby nedošlo k možnému znečisteniu životného prostredia alebo poškodeniu zdravia v dôsledku nekontrolovaného odpadu, je potrebné pristupovať k recyklovaniu zodpovedne a

propagovať tak opatovne použitie zdrojových materiálov. Ak chcete výrobok vrátiť, postupujte podľa systému na vrátenie a zber alebo kontaktujte predajcu, kde ste výrobok kupili. Výrobok od vás prevezmu a bezpečne zrecyklujú.

POKYNY OHL'ADNE BATERIE



Tento znak znamená, že batérie sa nesmú likvidovať spolu s domácim odpadom, pretože obsahujú látky, ktoré môžu znečistiť životné prostredie alebo poškodiť zdravie. Batérie likvidujte v strediskách určených pre zber odpadu.

UPOZORNENIE

Batérie (v diaľkovom ovládači) nesmú byť vystavené nadmernému teplu, ako je priame slnečné žiarenie, oheň a podobne.

VÝSTRAHA

Neprehŕtajte batériu. Nebezpečenstvo chemického popálenia.

Tento produkt obsahuje mincovú/gombíkovú článkovú batériu. Prehltutie mincovej/gombíkovej článkovej batérie môže už do 2 hodín spôsobiť vážne vnútorné popáleniny a môže mať za následok smrť. Nové aj použité batérie uchovávajú mimo dosahu detí. Ak priestor pre batérie nie je tesne uzavretý, produkt nepoužívajte a uschovajte ho mimo dosahu detí. Ak sa domnievate, že došlo k prehltnutiu batérie alebo jej umiestneniu do akejkoľvek časti tela, okamžite vyhľadajte lekársku pomoc.

Toto zariadenie môžu používať deti staršie ako 8 rokov a osoby so zníženými fyzickými, zmyslovými alebo mentálnymi schopnosťami či s nedostatkom skúseností a znalostí, avšak iba pokiaľ sú pod dohľadom alebo pokiaľ im boli poskytnuté inštrukcie týkajúce sa bezpečného používania zariadenia a chápu možné riziká. Nedovoľte deťom, aby sa so zariadením hrali. Deti nesmú bez dozoru zariadenie čistiť a prevádzkať bežnú údržbu.



M A R L E Y

ПРОИГРЫВАТЕЛЬ STIR IT UP ОТ МАРЛИ ИНСТРУКЦИЯ ПО ЭКСПЛУАТАЦИИ ПРОИГРЫВАТЕЛЯ

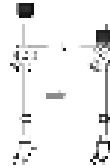
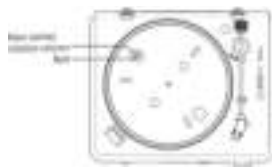
Добро пожаловать в Мы польщены вашим решением сделать проигрыватель Stir It Up частью вашей музыкальной жизни. В модели Stir It Up использованы решения в области конструкции и материалов, опробованные в колонках Get Together BT, а также детали ретро-дизайна, восходящие к эпохе Боба Марли (1960-1980). Простота форм и богатство материалов, точности и отделки. Пусть заиграют природные материалы.

ПЕРЕД ИСПОЛЬЗОВАНИЕМ

1. Тщательно выберите место установки проигрывателя. Не устанавливайте его под прямыми солнечными лучами или вблизи источников тепла. Также избегайте мест, подверженных воздействию вибрации, скоплений пыли, холода и влаги. Место установки должно быть удалено от источников гудящего шума, например, трансформаторов или электромоторов.
2. Не открывайте корпус проигрывателя, так как это может привести к повреждению электроники или поражению электрическим током. В случае попадания внутрь постороннего предмета обратитесь в Отдел обслуживания.
3. Не прикасайтесь к пластинкам грязными пальцами. Ни в коем случае не проигрывайте пластинки с трещинами на поверхности.
4. Отсоединяя штепсель шнура электропитания от сетевой розетки, всегда тяните за штепсель, а не за провод.
5. После использования проигрывателя не забывайте надевать на иглу белый защитный чехол.
6. Не пытайтесь чистить проигрыватель химическими растворителями, так как это может повредить его отделку. Используйте сухую, чистую ткань.
7. Для полного отключения питания прибора отсоедините шнур электропитания от сетевой розетки. Если вы не собираетесь использовать прибор в течение длительного времени, например, во время отпуска, обязательно отсоедините его от сети электропитания.
8. Сохраните эту инструкцию в надежном месте и используйте ее в качестве справочного пособия.

СБОРКА

1. Выньте все компоненты из упаковки и поместите изделие на устойчивую поверхность.
2. Наденьте ремень на основание металлического диска. Убедитесь в том, что ремень не перекручен. Вытяните ремень большим пальцем, как показано на иллюстрации, приведенной ниже.
3. Продолжая удерживать ремень, переверните диск. Совместите диск с осью и вставьте его в проигрыватель.
4. Наденьте оттягиваемый большим пальцем ремень на главный (белый) вал треугольного комплекта зубчатых валов.
5. Положите на диск коврик для пластинок. На этом основная сборка проигрывателя закончена.



ПРИМЕЧАНИЕ: Чтобы разобрать проигрыватель, возьмитесь за диск и потяните его вверх

6. Выньте противовес и поместите его в соответствующее место на тонарме (см. иллюстрацию).
7. Выньте адаптер 54 RPM и поместите его в соответствующее место в правом верхнем углу проигрывателя.

ПОДКЛЮЧЕНИЕ ПИТАНИЯ ПРОИГРЫВАТЕЛЯ STIR IT UP

Проигрыватель Stir It Up использует источник питания переменного напряжения и подключается к обычной сетевой розетке.

1. Вставьте источник питания в проигрыватель Stir It Up.
2. Вставьте штепсель в подходящую сетевую розетку.

ПРОСТОТА ЭКСПЛУАТАЦИИ

1. Подключите источник питания к бытовой розетке.
2. Включите прибор и выберите нужную скорость воспроизведения записи поворотом регулятора OFF / 33/45.
3. Поставьте пластинку на проигрыватель. При проигрывании пластинок на 45 об./мин. не забывайте использовать адаптер 45 RPM, расположенный в правом верхнем углу проигрывателя.
4. Поднимите тонарм и подведите его к диску. Поместите тонарм на край пластинки: проигрыватель начнет воспроизведение записи.
5. Установка противовеса и настройка его положения.

ПРИМЕЧАНИЕ: Противовес нужен для регулировки давления иглы. Слишком большое давление вызывает искажения звука; при слишком малом давлении игла легко может соскакивать с дорожки. Скорректируйте положение противовеса, поворачивая его по часовой стрелке или против часовой стрелки.

6. Чтобы прекратить или приостановить воспроизведение, следует поднять рукой тонарм и вернуть его на держатель.
7. По достижении конца записи движение тонарма и вращение диска останавливаются. Поднимите тонарм рукой и поместите его на держатель тонарма.

СОЕДИНЕНИЯ

ВНИМАНИЕ! Отключите питание всего оборудования перед установкой соединений. Прочитайте инструкции всех компонентов, которые вы собираетесь подсоединить к прибору. Обеспечьте надежное соединение всех разъемов. Во избежание гудения и шумов не прокладывайте соединительные кабели рядом со шнуром питания переменного напряжения.

ИСПОЛЬЗОВАНИЕ ЛИНЕЙНОГО ВЫХОДА

1. Установите переключатель PRE-AMP OFF/ON в положение ON.
2. Подсоедините один конец кабеля RCA (входит в комплект) к разъему LINE OUT на задней панели прибора. Цвет штекера должен соответствовать цвету разъема.
3. Подсоедините другой конец кабеля к разъему LINE IN усилительного устройства.
4. Включите проигрыватель и подсоединенное усилительное устройство.
5. Отрегулируйте громкость на усилительном устройстве.

ИСПОЛЬЗОВАНИЕ НИЗКОЧАСТОТНОГО ВЫХОДА

1. Установите переключатель PRE-AMP OFF/ON в положение OFF.
2. Подсоедините один конец кабеля (входит в комплект) к разъему PHONO OUT на задней панели прибора. Цвет штекера должен соответствовать цвету разъема.
3. Подсоедините другой конец кабеля к разъему PHONO IN усилительного устройства.
4. Включите проигрыватель и подсоединенное усилительное устройство.
5. Отрегулируйте громкость на усилительном устройстве

ИСПОЛЬЗОВАНИЕ НАУШНИКОВ

1. Подсоедините наушники (не входят в комплект) к разъему для наушников на передней панели прибора.

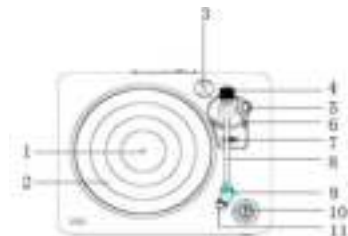
ПРИМЕЧАНИЕ: Ни в коем случае не надевайте наушники до подключения штекера к разъему

ФУНКЦИЯ USB-PC, ПРОГРАММНОЕ ОБЕСПЕЧЕНИЕ AUDACITY

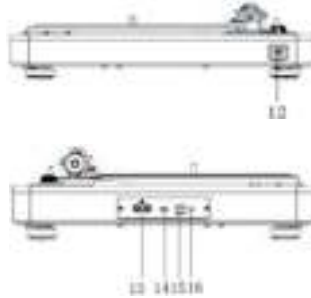
Полное описание использования функции USB-PC программы Audacity Software можно найти по адресу <http://www.audacityteam.org/download/>

РАСПОЛОЖЕНИЕ ОРГАНОВ УПРАВЛЕНИЯ

1. Вал
2. Диск
3. Адаптер на 45 об./Мин.
4. Протировес
5. Регулятор антискейтинга
6. Уровень подъема тонарма



7. Держатель тонарма
8. Тонарм
9. Игла
10. Переключатель off / 33/45
11. Чехол иглы
12. Разъем для наушников
13. Выходы гса
14. Выключатель предусилителя (pre-amp off/on)
15. Разъем usb
16. Разъем питания



ПРОСЛУШИВАНИЕ ЗАПИСЕЙ

1. Подсоедините внешнее усилительное устройство.
2. Поставьте пластинку на проигрыватель, надев ее на центральный вал.
При проигрывании записей на 45 об./мин. поставьте на центральный вал адаптер EP.
3. Установите селектор скорости на 33 или 45 об./мин. в соответствии с проигрываемой пластинкой.
4. Откройте зажим тонарма и снимите с иглы чехол.
5. Поднимите тонарм при помощи рычага подъема тонарма.
6. Переместите тонарм к началу записи или к началу определенной дорожки.
7. Для запуска воспроизведения плавно опустите тонарм на пластинку при помощи рычага подъема тонарма.
8. По окончании воспроизведения движение тонарма остановится автоматически. Чтобы остановить воспроизведение вручную, поднимите тонарм с пластинки и переместите его в держатель.

ПРИМЕЧАНИЕ

- Перед балансировкой тонарма снимите с иглы чехол.
- Удерживайте тонарм во время любой настройки или других операций, чтобы не повредить его.
- Не пытайтесь настраивать противовес во время проигрывания записей, так как это может привести к поломке иглы и повреждению пластинки.
- Закрепите тонарм перед транспортировкой прибора, чтобы избежать повреждения иглы.
- Снимите противовес перед транспортировкой прибора, чтобы избежать повреждения проигрывателя.
- Не останавливайте вращение диска руками. Перемещение или препятствие вращению диска при незакрепленном тонарме может привести к повреждению тонарма.

АНТИСКЕЙТИНГ

В большинстве случаев регулятор антискейтинга должен быть установлен на минимум. Антискейтинг компенсирует прижимающие внутрь силы, которые возникают на некоторых звукоснимателях, когда игла приближается к центру пластинки. Если проигрыватель слишком часто теряет дорожку при приближении к центру пластинки, попробуйте усилить антискейтинг в соответствии с делениями, нанесенными на регулятор. Начните с увеличения на 1, проверьте работу проигрывателя, при необходимости увеличьте еще на единицу и т. д.

Примечание При регулировке антискейтинга не трогайте тонарм и противовес, чтобы не повредить иглу звукоснимателя.

УСТРАНЕНИЕ НЕИСПРАВНОСТЕЙ

В случае возникновения проблем с прибором проверьте по следующей таблице, можете ли вы устранить неисправность самостоятельно, прежде, чем обращаться к торговому представителю.

СИСТЕМА В ЦЕЛОМ

ПРОБЛЕМА	ПРИЧИНА	РЕШЕНИЕ
Отсутствие питания при нажатии на выключатель питания.	Проигрыватель не подключен к сети.	Подключите проигрыватель к источнику питания переменного напряжения.
Отсутствие звука	Задействованный вход не соответствует источнику.	Выберите другой источник.
Чрезмерные шумы.	Проигрыватель расположен слишком близко к телевизору или другим подобным приборам.	Выключите телевизор или другие приборы и переместите проигрыватель.
Система не реагирует на органы управления или не перезагружается.	На систему воздействуют внешние факторы, например, электростатические разряды (ЭСР).	Отключите шнур питания и все источники питания, затем снова подключите систему к источнику питания через одну минуту.

ПРОИГРЫВАТЕЛЬ

ПРОБЛЕМА	ПРИЧИНА	РЕШЕНИЕ
Шумы при проигрывании записи.	Игла звукоснимателя не отцентрована.	Переустановите иглу так, чтобы она находилась точно по центру.
Шумы после продолжительного использования.	Игла повреждена.	Замените иглу на новую.

МЕРЫ ПРЕДОСТОРОЖНОСТИ

ВНИМАНИЕ! Для уменьшения опасности поражения электрическим током не подвергайте прибор воздействию дождя или влаги.

ОСТОРОЖНО! Использование органов управления, настройка, эксплуатация и другие действия с нарушением инструкций могут вызвать воздействию опасных излучений.

ОСТОРОЖНО! НЕ ОТКРЫВАТЬ! – ОПАСНОСТЬ ПОРАЖЕНИЯ ЭЛЕКТРИЧЕСКИМ ТОКОМ!

Во избежание возможного поражения электрическим током не снимайте крышку и заднюю панель.

Внутри не содержится деталей, пригодных для обслуживания пользователем. Для проведения обслуживания обратитесь к квалифицированному специалисту.



Символ молнии со стрелкой в равностороннем треугольнике предупреждает пользователя о наличии в корпусе изделия неизолированного «опасного напряжения», величина которого может быть достаточной для опасного для человека поражения электрическим током.



Символ восклицательного знака в равностороннем треугольнике предупреждает пользователя о наличии в документации прибора важных инструкций по его эксплуатации и содержанию (обслуживанию).

(См. маркировку на задней панели прибора)

Данный прибор работает с электропитанием 100 ~ 240 Гц. В случае неиспользования прибора в течение длительного времени отсоедините штекер от сети электропитания.

Перед эксплуатацией прибора обеспечьте правильность всех соединений.

Не подвергайте прибор воздействию дождя или влаги.

Место установки прибора должно обеспечивать его достаточную вентиляцию. Так, не следует устанавливать прибор вблизи штор, на коврах или во встроенных сооружениях, например, книжных полках.

Не подвергайте прибор воздействию прямого солнечного света и источников теплового излучения.

ВАЖНЫЕ МЕРЫ БЕЗОПАСНОСТИ

1. Выполняйте требования инструкции и сохраните ее.
2. Обращайте внимание на все предупреждения.
3. Не используйте аппаратуру вблизи воды.
4. Производите очистку аппаратуры только сухой тканью.
5. Не перекрывайте вентиляционные отверстия. Производите установку аппаратуры в соответствии с рекомендациями производителя.
6. Не устанавливайте аппаратуру вблизи источников тепла, например, радиаторов, обогревателей, печей или других устройств (в т. ч. усилителей), выделяющих тепло.
7. Не наступайте на шнур питания и не допускайте его защемления, в особенности вблизи вилки, розетки и места подключения к аппаратуре.
8. Используйте только сменное оборудование и аксессуары, рекомендованные производителем.
9. Отключайте аппаратуру от сети электропитания во время грозы и в случае длительного неиспользования.
10. Любое обслуживание аппаратуры должно производиться квалифицированным обслуживающим персоналом. Обслуживание необходимо в случае любых повреждений аппаратуры, например, повреждений шнура или вилки источника питания, попадания на аппаратуру жидкости или падения на нее каких-либо предметов, воздействия на аппаратуру дождя или влаги, отклонений в работе аппаратуры или ее падения.
11. Для снижения риска возгорания или поражения электрическим током исключите воздействие на аппаратуру дождя и влаги.
12. **ВНИМАНИЕ:** Неправильная замена батареи может привести к взрыву. Используйте для замены только батареи того же или эквивалентного типа.

ПОЯСНЕНИЕ WEEE

Данная маркировка означает, что в странах Европы не допускается утилизировать прибор вместе с другими бытовыми отходами. Чтобы не нанести ущерба окружающей среде и здоровью населения в результате неверной утилизации отходов, прибор следует сдать на

переработку, чтобы обеспечить экологичное повторное использование материальных ресурсов. Верните бывший в употреблении прибор через систему возврата и сбора отходов или свяжитесь с предприятием розничной торговли, где вы приобрели прибор. Там вы сможете сдать этот продукт для экологически безопасной переработки.

ИНСТРУКЦИИ К БАТАРЕЯМ



Данный символ означает, что батареи не следует утилизировать совместно с бытовым мусором, поскольку они содержат вещества, способные нанести вред окружающей среде и здоровью.

Утилизируйте батареи в специально предназначенных для этого приемных пунктах.

ПРЕДУПРЕЖДЕНИЕ



Батарея (в пульте дистанционного управления) не должна подвергаться чрезмерному нагреву, например, под воздействием солнечных лучей, огня и т. п.

ВНИМАНИЕ! НЕ ДОПУСКАЙТЕ ПОПАДАНИЯ БАТАРЕЙКИ ВНУТРЬ ОРГАНИЗМА. ОПАСНОСТЬ ХИМИЧЕСКОГО ОЖОГА.

Данный продукт содержит батарейку таблеточного типа. Проглатывание такой батарейки может привести к получению серьезных внутренних ожогов в течение 2 часов и повлечь за собой смертельный исход. Храните новые и использованные батарейки в недоступном для детей месте. Если отсек для батареек надежно не закрывается, прекратите использовать продукт и храните его в недоступном для детей месте. В случае проглатывания батареек или их попадания внутрь организма немедленно обратитесь за медицинской помощью.

Данный прибор может использоваться детьми возрастом от 8 лет; лицами с физическими и умственными ограничениями; лицами с ограничениями, связанными с органами чувств, а также лицами, не имеющими опыта и знаний относительно использования такого прибора, под присмотром опытных лиц, или после получения инструкций относительно безопасного использования, а также относительно возможного риска. Не позволяйте детям играть с прибором. Не позволяйте детям осуществлять очистку и обслуживание прибора без присмотра взрослых.



M A R L E Y

STIR IT UP-PLATENSPELER PLATENSPELERHANDLEIDING

WELKOM BIJ HOUSE OF MARLEY

Bedankt dat u hebt gekozen om de Legend ANC onderdeel uit te laten maken van uw muziekervaring. De Stir It Up-platenspeler is voorzien van hetzelfde ontwerp als onze Get Together BT-luidspreker en heeft een retro uitstraling dankzij het ontwerp dat is gebaseerd op de platenspelers uit de Bob Marley-periode (1960-1980). Een simpele vormgeving met waardevolle materialen, een luxueuze uitstraling en een mooie afwerking. Laat de natuurlijke materialen naar voren komen.

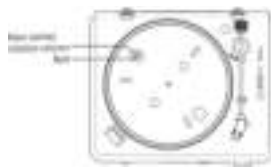
VOORDAT U DE PLATENSPELER GEBRUIKT

1. Zoek een goede plaats om de platenspeler neer te zetten. De platenspeler niet in direct zonlicht of in de buurt van een hittebron plaatsen. Vermijd ook plaatsen waar de platenspeler bloot wordt gesteld aan trillingen en veel stof, kou of hitte. Houd de platenspeler ook uit de buurt van spullen die brommen, zoals transformatoren en motoren.
2. Houd de kast van de platenspeler gesloten om schade aan het elektrische circuit of elektrische schokken te voorkomen. Neem contact op met de klantenservice als er een voorwerp in de platenspeler terecht is gekomen.
3. Zorg ervoor dat u de platen niet met vieze vingers aanraakt. Speel geen platen af die scheuren hebben in het oppervlak.
4. Zorg er bij het verwijderen van de stekker voor dat u altijd aan de stekker zelf trekt en nooit aan de draad.
5. Zorg ervoor dat u de witte beschermhoes weer om de naald doet om deze te beschermen, nadat u de platenspeler hebt gebruikt.
6. Gebruik geen chemische schoonmaakmiddelen, aangezien dit de lak kan beschadigen. Gebruik een schone, droge doek.
7. Om het apparaat geheel uit te zetten, dient u de stekker uit het stopcontact te halen. Haal ook de stekker uit het stopcontact indien u het apparaat een langere tijd niet gebruikt, zoals bijvoorbeeld tijdens de vakantie.
8. Bewaar deze handleiding op een veilige plaats om deze later te kunnen raadplegen.

MONTAGEHANDLEIDING

1. Haal alle onderdelen uit de verpakking en zet de platenspeler op een stabiel oppervlak.
2. Draai de aandrijfriem aan de onderkant om het metalen plateau. Zorg ervoor dat de aandrijfriem niet verdraaid zit. Gebruik uw duim om de aandrijfriem uit te rekken, zoals de illustratie hieronder laat zien.
3. Draai het plateau om en houd de riem hierbij nog steeds vast. Zorg ervoor dat de pin goed zit en bevestig deze aan het plateau.
4. Lus de riem die u nog steeds met uw duim vasthoudt, over de belangrijkste (witte) draaikolom van de driehoekige tandwielopstelling.
5. Leg de mat bovenop het plateau. De platenspeler zit nu in elkaar.

LET OP: Om de platenspeler uit elkaar te halen, dient u de draaitafel omhoog te trekken



6. Verwijder het tegenwicht en plaats dit op de goede locatie op de toonarm (zie de illustratie).
7. Verwijder de 45-toerenadapter en leg deze op zijn nieuwe plek in de rechterbovenhoek van de platenspeler.

HET INSCHAKELEN VAN UW STIR IT UP-PLATENSPELER

Uw Stir It Up-platenspeler gebruikt een AC-adapter en werkt via een standaard stopcontact.

1. Sluit de AC-adapter aan op de Stir It Up-platenspeler.
2. Steek de stekker van het netsnoer in een geschikt stopcontact.

EENVOUDIG TE GEBRUIKEN

1. Steek de AC-adapter in het stopcontact.
2. Draai aan de UIT/33/45-knop om het apparaat aan te zetten en selecteer het juiste toerenal voor de plaat die u af wilt spelen.
3. Plaats een plaat op de platenspeler. Vergeet niet om de 45-toerenadapter in de rechterbovenhoek te gebruiken om een 45-toerenplaat af te spelen.
4. Plaats de toonarm boven de draaischijf. Plaats de toonarm aan de rand van de plaat en deze zal vervolgens gaan afspelen.
5. Zet het balansgewicht in elkaar en plaats deze in de juiste positie. Met het balansgewicht kunt u de drukkracht van de naald instellen.

LET OP: Indien er te veel druk wordt uitgeoefend, dan vervormt het geluid; indien er te weinig druk wordt uitgeoefend, dan kan de plaat overslaan. Stel het balansgewicht in door het gewicht linksom of rechtsom te draaien.

6. U dient de toonarm op te tillen en terug in de beginpositie te zetten om platen te pauzeren of te stoppen.
7. De toonarm en draaischijf zullen automatisch stoppen wanneer de plaat helemaal afgespeeld is. Til de toonarm op en zet deze terug in de beginpositie.

AANSLUITINGEN

LET OP: Zet het apparaat uit en haal de AC-adapter uit het stopcontact voordat u iets aansluit. Lees alle instructies van elk onderdeel dat u wilt aansluiten op de platenspeler zorgvuldig door. Sluit alle stekkers goed en zorgvuldig aan. Zorg ervoor dat de verbindingkabels niet samen worden gebundeld met de AC-adapter om gezoem en lawaai te voorkomen.

LINE OUT-AANSLUITING

1. Schuif de voorversterker-schakelaar naar de ON-positie.
2. Sluit een uiteinde van de RCA-kabel (bijgevoegd) aan op de LINE OUT-ingang op de achterkant van het apparaat. Zorg ervoor dat de kleur van de kabel overeenkomt met de ingang.

3. Sluit het andere uiteinde van de kabel aan op de LINE IN-ingang van uw eindversterker.
4. Zet het apparaat en de eindversterker aan.
5. Het volume van uw eindversterker aanpassen.

PHONO OUT-AANSLUITING

1. Schuif de voorversterker-schakelaar naar de OFF-positie.
2. Sluit een uiteinde van de kabel (bijgevoegd) aan op de PHONO OUT-ingang op de achterkant van het apparaat. Zorg ervoor dat de kleur van de kabel overeenkomt met de ingang.
3. Sluit het andere uiteinde van de kabel aan op de PHONO IN-ingang van uw eindversterker.
4. Zet het apparaat en de eindversterker aan.
5. Het volume van uw eindversterker aanpassen.

KOPTELEFOON-AANSLUITING

1. Sluit een koptelefoon (niet bijgevoegd) aan op de oortelefoon-ingang aan de voorkant van het apparaat.

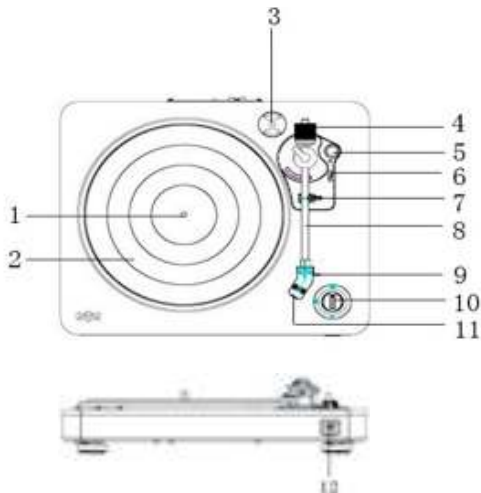
LET OP: Zet nooit uw koptelefoon op voordat u deze hebt aangesloten op het apparaat

USB-PC-FUNCTIE, AUDACITY SOFTWARE

Een volledige handleiding voor Audacity Software USB-PC Function vindt u op <http://www.audacityteam.org/download/>

LOCATIE VAN DE ONDERDELEN

1. Pin
2. Draaitafel
3. 45-Toerenadapter
4. Balansgewicht
5. Anti-skatingknop
6. Toonarm hefboom
7. Toonarmhouder
8. Toonarm
9. Naald
10. Off/33/45-schakelaar
11. Beschermer naald
12. Oortelefoon-ingang



13. Rca output-ingang
14. Voorversterker off/on-schakelaar
15. Usb-ingang
16. Ac-stroomaansluiting



PLATEN AF SPELEN

1. Verbind de externe versterker.
2. Plaats een plaat op de draaitafel, over de centrale pin. Plaats de EP-adapter over de centrale pin wanneer u 45-toerenplaten afspeelt.
3. Zet de snelheid op 33 of 45, afhankelijk van de plaat.
4. Haal de toonarm uit de klem en verwijder de beschermhoes van de naald.
5. Til de toonarm op met behulp van de hefboom.
6. Zet de toonarm voorzichtig aan het begin van de plaat of aan het begin van een liedje.
7. Laat de toonarm voorzichtig zakken op de plaat met de hefboom om de platenspeler te laten spelen.
8. Als de plaat helemaal is afgespeeld, dan zal de toonarm automatisch stoppen. Om de platenspeler handmatig te stoppen, tilt u de toonarm op van de plaat en zet deze terug in de beginpositie.

AANTEKENINGEN:

- Verwijder de beschermhoes van de naald voordat u de toonarm in de goede positie zet.
- Houd de toonarm vast wanneer u iets wilt aanpassen, zodat de toonarm niet wordt beschadigd.
- Kom niet aan het balansgewicht als de platenspeler aan het spelen is, aangezien dit ervoor kan zorgen dat de naald afbreekt en de plaat wordt beschadigd.
- Zet de toonarm weer vast voordat u de platenspeler verplaatst, om de naald te beschermen.
- Verwijder het balansgewicht voordat u de platenspeler verplaatst, om schade aan het apparaat te voorkomen.
- De draaitafel niet handmatig stoppen of draaien. De platenspeler verplaatsen of bewegen zonder de toonarm vast te klemmen kan de toonarm beschadigen.

ANTI-SKATING

De anti-skatingschakelaar moet normaal gesproken in de laagste stand worden gezet. Anti-skating compenseert voor naar binnen gerichte dwarskracht die kan voorkomen wanneer de naald het midden van de plaat nadert. Wanneer de platenspeler vaak overslaat bij het midden van de plaat, kunt u proberen de antiskating-waarde te verhogen met behulp van de knop. Begin met een verhoging van 1, test de werking, en verhoog het zo nodig meer.

OPMERKING: Raak de toonarm en het balansgewicht niet aan tijdens het instellen van de anti-skatingknop om schade aan de naald te voorkomen.

PROBLEMEN OPLOSSEN

In geval van problemen met het apparaat kunt u de onderstaande punten door-nemen en proberen het probleem zelf op te lossen voordat u contact opneemt met de verkoper.

HET HELE APPARAAT

PROBLEEM	OORZAAK	OPLOSSING
Het apparaat gaat niet aan wanneer ik schake-laar indruk.	De stekker zit niet in het stopcontact.	Verbind het apparaat aan de AC-stroomtoevoer.
Geen geluid	De werkinput komt niet overeen met de broninput.	Selecteer een nieuwe bron.
Het geluid is verstoord.	Het apparaat staat te dicht bij een televisie of soortgelijk apparaat.	Schakel de tv of het andere apparaat uit en zet uw apparaat op een andere plek.
Het apparaat reageert niet of kan niet worden gereset.	Externe invloeden zoals ESD (elektrostatische ontlading) beïnvloeden het apparaat.	Verwijder de stroomkabel en alle andere stroomvoorzieningen. Wacht een minuut en sluit het apparaat opnieuw aan.

GRAMMOFOON

PROBLEEM	OORZAAK	OPLOSSING
Het geluid is verstoord bij het afspelen van de plaat.	De naald is niet in het midden geplaatst.	Verplaats de naald naar het middelste punt.
Het geluid wordt na een tijdje verstoord.	De naald is beschadigd.	Vervang de naald met een nieuwe naald.

VEILIGHEIDSMATREGELEN

WAARSCHUWING: Stel het apparaat niet bloot aan regen of vocht om het risico op brand of elektrische schokken te verlagen.

LET OP: Het gebruik van andere instellingen of aanpassingen of de uitvoering van procedures anders dan vermeld kan leiden tot gevaarlijke blootstelling aan straling.

LET OP: GEVAAR VAN ELEKTRISCHE SCHOKKEN - NIET OPENEN!

De kap of achterkant niet verwijderen om het risico op elektrische schokken te verlagen.

Het apparaat bevat geen door de gebruiker te repareren onderdelen. Laat onderhoud over aan bevoegd onderhoudspersoneel.



Het bliksemschicht-symbool met pijltje binnen een gelijkzijdige driehoek geeft aan dat het product niet-geïsoleerd, "gevaarlijk voltage" bevat, dat van voldoende kracht kan zijn om elektrische schokken te veroorzaken.



Het uitroepteken binnen de gelijkzijdige driehoek geeft aan dat er belangrijke instructies voor gebruikers en onderhoud staan in het boekje bijgeleverd bij het apparaat.

(Zie de markeringen op de achterkant van het apparaat.)

Dit apparaat werkt op 100-240V. Als het apparaat voor lange tijd niet wordt gebruikt dient u de stekker uit het stopcontact te halen.

Zorg ervoor dat alle delen correct zijn aangesloten voordat u het apparaat gebruikt.

Dit apparaat mag niet worden blootgesteld aan vocht of regen.

Dit apparaat dient zo te worden geplaatst dat het voldoende is geventileerd. Plaats het apparaat niet dicht bij gordijnen, op het tapijt of in een ingebouwde constructie zoals een boekenkast.

Stel het apparaat niet bloot aan direct zonlicht of hittebronnen.

BELANGRIJKE VEILIGHEIDSINSTRUCTIES

1. Deze instructies volgen en bewaren.
2. Rekening houden met alle waarschuwingen.
3. Dit apparaat niet in de buurt van water gebruiken.
4. Alleen met een droge doek reinigen.
5. De ventilatieopeningen nooit blokkeren. Installeren volgens de instructies van de fabrikant.
6. Niet installeren in de buurt van warmtebronnen zoals radiatoren, ventilatieroosters, fornuizen of andere apparaten (met inbegrip van versterkers) die warmte produceren.
7. Zorg dat er niet op het netsnoer gelopen kan worden en dat het niet bekneld kan raken, vooral niet bij de stekkers, stopcontacten en het punt waar het snoer uit het apparaat steekt.
8. Alleen door de fabrikant gespecificeerde hulpstukken/ accessoires gebruiken.
9. De stekker van het apparaat uit het stopcontact halen tijdens onweer of wanneer het langere tijd niet gebruikt zal worden.
10. Alle onderhoudswerkzaamheden en reparaties dienen door gekwalificeerde monteurs te worden uitgevoerd. Onderhoud is nodig wanneer het apparaat op enige wijze is beschadigd, bijvoorbeeld als het snoer of de stekker van de voedingseenheid is beschadigd, als er vloeistof op het apparaat is gemorst of er iets in het apparaat is gevallen, als het aan regen of vocht is blootgesteld, niet normaal werkt of is gevallen.
11. Om het risico van brand of elektrische schok te verlagen, mag het apparaat nooit aan regen of vocht worden blootgesteld.

12. PAS OP! Explosiegevaar als de batterij verkeerd wordt vervangen. Vervang de batterijen alleen door batterijen van hetzelfde type of een soortgelijk type.

UITLEG OVER AEEA



Deze markering geeft aan dat dit product binnen de EU niet met ander huisvuil mag worden weggeworpen. Om eventuele schade aan het milieu of de menselijke gezondheid door het ongecontroleerd wegwerpen van afval te voorkomen, dient dit apparaat op verantwoorde wijze gerecycled te worden om duurzaam hergebruik van materiaalbronnen te bevorderen. Wilt u het gebruikte apparaat retourneren, gebruik dan de retour- en ophaalsystemen of neem contact op met de winkelier waar het product gekocht is. Deze zal het product voor milieuveilige recycling accepteren.

RICHTLIJN INZAKE BATTERIJEN



Dit symbool betekent dat batterijen niet met het huisvuil weggeworpen mogen worden, omdat ze stoffen bevatten die schadelijk kunnen zijn voor het milieu en de gezondheid.

Lever batterijen op een aangewezen inzamelpunt in.

WAARSCHUWING

De batterij (in de afstandsbediening) mag niet worden blootgesteld aan overmatige warmte, zoals zonlicht, vuur of dergelijke dingen.

WAARSCHUWING

De batterij niet inslikken, gevaar voor chemische brandwonden.

Dit product bevat een knoopcelbatterij. Als de knoopcelbatterij wordt ingeslikt, kan dit binnen slechts 2 uur leiden tot ernstige inwendige brandwonden met mogelijk de dood als gevolg. Houd nieuwe en gebruikte batterijen uit de buurt van kinderen. Als het batterijvakje niet goed kan worden gesloten, stopt u met het gebruik van het product en houdt u het uit de buurt van kinderen. Als u denkt dat de batterij mogelijk is ingeslikt of in het lichaam is geplaatst, dient u onmiddellijk medische hulp in te roepen.



STIR IT UP تان او ط س الال لي غ ش ت زا ه ج تان او ط س الال ل غ ش م ت ا م ي ل ع ت

House of Marley يف كب أب ح رم

زيم تي و. ةي قي س وم لال كت ب رج ت نم آء ز ج حب ص ي ل Stir It Up تان او ط س الال لي غ ش ت زا ه ج كراي ت خ اب رخ فن
 ةزه ج آل يف ل خ لال م يم ص ت لال او Get Together BT تاع ام س لي ص اف ت نم ةاح و ت س م داوم و م يم ص ت ب Stir It Up زا ه ج
 تاسم ل و تازي ه ج ت و داوم ب ة ط ي س ب ل اك ش أ. (1980 لى لى 1960 نم) ي ل رام بوب ر ص ع نم تان او ط س الال لي غ ش ت
 ق ل آ ت ت ةي ع ي ب ط لال داوم لال ع. ةم خ ف ةي ئ ا ه ن

مادختستال لب ق

- 1- بنجت . ؤرارح ردصم نم برقلاب وأ رشابالم سمشلا ءوض يف اهعضو بنجت . ؤني انعب ؤءءو لا بيصنت ناكم رتخا وأ تالوالم لمثم . ؤم ؤمها لا رءاصم نع ؤءت بابا . ؤب وطرلا وأ ؤربلا وأ ؤئازلا رابغلا وأ تازازت ؤهاللا ؤض رعم لا نكامال أضيأ . تاءكرءملا .
- 2- نم ؤب لا ناك اءؤ . ؤي ؤب رءره كم ؤمص يلى وأ ؤي ؤب رءره كلال رءا وءلا ؤال ؤلى ؤءؤي ؤق اءه نأل ؤءءو لا ؤروصقم ؤءءء ؤل ءءءءملا ؤم ؤءء ب لصتا ، زاءءءا يف بئرغ مءس ؤلا ؤءل .
- 3 - . اءءءس يلى ؤمص ؤءءو ؤنا وطرلا اى ؤءءء آق لطم لواءء الو . ؤءس ؤم ؤب ؤب ؤا وطرلا كاسملا مءء نم ؤءاء
- 4 - . آءب اكلسلا بءسء الو ، أم ؤاء ؤرشابم سباقا ل بءسا ، طءءءا ؤءأم نم ءب رءه كلال سباق ؤلازل ؤنء
- 5 - . لام ؤءسالا ؤءب يلقوالا ؤضي بآلا ؤربالا ءاطغ ؤضو سنىءء الو . لى ؤءسءءا ملى ؤءءءم
- 6 - ؤفي ظن شامق ؤءءم ؤم ؤءءءسا . ءالطال ؤال ؤلى ؤءؤي ؤق كل ؤل ؤئءي ؤئءي مءى ؤب ؤءءم ؤءءو لا فيظنىء لواءء الو ؤءءءء .
- 7 - ي ونىءء الو ؤنءء اءل ؤءءو لا سباق ؤزن نم ؤءاءء . طءءءا ؤءأم نم ؤءءالم كلس ؤزنا ، أم ؤمءءءءء نم اءه نع ؤءءالم لصفلا . ؤءءء ءاضق لثم ، نم زلا نم ؤلى وطر ؤءءءءءءم ؤم ؤءءءءسا
- 8 - . لب ؤءسءملا يء هلى ؤو ؤرءلل نم اناكم يء لى لءلا اءه بظءءءا

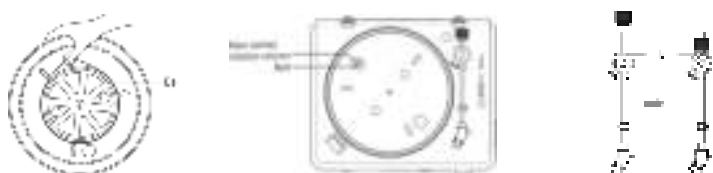
بى كرتالا

- 1 - . بءاءءءءس يلى ؤءءءءم لء ؤض مء ؤو ؤءنىءالا نم ؤنا ؤءم لءءى مءء ؤء
- 2 - ؤءل كم ؤءءء مءءءءسا . بى كرتالا ؤنء رىسلا ءا وءءا مءء نم ؤءاءء . ين ؤءءءم ل ؤرءقلا نم يلى ؤلسلا ءءءءا لوء رىسلا ؤض ؤل . ؤءءء ءءى ؤضو ؤءالا مءرلا يء ؤنى بءملا ؤق ي رطلاب رىسلا
- 3 - . ؤءءو لا يء ؤرءقلا ؤرءءل مءل ناره وءءا ؤوم ؤءءءم ب مء . رىسلا باب أكس مءم لظء نأسنىءء الو ؤرءقلا بلقا
- 4 - ؤئءالا ؤءل بى كرتالا ؤاءء ؤءءم نم (ءضى بآالا) سى سى ؤرءلا ناره وءءا ؤوم ؤ يء كم ؤءءءء بءءسءم يءللا رىسلا ؤض
- 5 - لمءءا ؤق سى سى ؤرءلا بى كرتالا نوكى ؤئءءء . ؤرءقلا يلى راءءلا ؤرءقلا ؤناظب ؤض
- 6 . لءءء ءب بءسا و ؤرشابم ؤسءم ، راءءلا ؤرءقلا كئى كءءءل : ؤظءءالم
- 6 - (ءقءى ؤضو ؤل ؤرءو لا يلى ؤو ؤرءل ؤءرى) يء كءءءا عارءل ؤلى ؤءى ؤءءءءالا ؤءءءو لا ؤرءقلا ؤلازلاب مء
- 7 - ؤءءم نم لءءءل ؤنءم يلى ؤى وازلا يء ؤق يءللا ؤءءءءا ؤناكم يء ؤءءو ؤق يءللا يء ؤرءء 45 ؤءرس ؤئءءءءم ؤلازلاب مء ؤنا وطرلا

ءقءاطللب Stlr It Up ؤنا وطرلا لءى ؤءءء زاءء لى لصوء

ىءءاء ؤءاء ؤءأم يء هلى لصوء مءءو ؤءءء راءءءب لم ؤق ؤءء ؤءم Stlr It Up ؤنا وطرلا لءى ؤءءء زاءء مءءءس ي

- 1 - Stlr It Up زاءء يء ؤقءاطلا ؤءم لى لصوء ب مء
- 2 - نم ؤءءملا طءءءءا ؤءأم يء طءءءءالا سباق لءءء



مادخت سال اولهوس

- 1 - لي لزنم الرايتال دُخْأَم يف عقاطلا دوزم لئيصوتب مق
 - 2 - اهل غشت يتلا ةناووسالال بسح ةعرسلال ددحو ةدحولال ليغشتل "45 / 33 / فاقيا" ضبقم ةرادب مق
 - 3 - ينم يلا ةيوازلا يف دوجوملا ةقيقدلا يف ةرود 45 ئي اهام مادختسا ركذت . تاناووسالال ليغشت زاهج يلع ةناووسالال عض ةقيقدلا يف ةرود 45 ةعرسب ةناووسالال ليغشت دنن ايلعل
 - 4 - ليغشت ، ةدبل ةناووسالال ةفاح يلعل يكاحلال عارذ عض . تاناووسالال ليغشت زاهج يلعل كرحو يكاحلال عارذ عافرا ةناووسالال .
 - 5 - جيحصالال عوضوم يف هطبضو نزاوملا لقتلال بيكرت ب مق
- طغضالال ناك اذو ؛ أهوشم توصلا حبصيس ، أدج أري بك طغضالال ناك اذف . ةربإلا طغض طبض يلعل نزاوملا لقتلال لمعيو براقع هجاتا يف لقتلال ةرادب نزاوملا لقتلال طبض يجرى . ةلوهسب راسم لئلي طختو زفقق شدجى فوسف ، أدج أفي عض ةناسالال براقع هجاتا س كع وأ ةناسالال

ةظحالم :

- 6 - يكاحلال عارذ تيبيت عوضوم لئلي اودي ةزحأ لبق يكاحلال عارذ عفر يلل جاتحت ، ليغشتلال فاقيا وأ تقؤملا فاقيا لئلي
 - 7 - عارذ تيبيت عوضوم يف هعضو يكاحلال عارذ عافرا . نارودلاو يكاحلال عارذ فقوتيس ، ةناووسالال ةياهن يلل لوصولال دنن يكاحلال
- تالئيصوتلا

ريذخت :

- تالئيصوتلا دادع لبق ةزهجأ لبق عيمع نعي برهلال رايتلال لصف
- ةدحولال هذه عم هلام عتسا يف بغرت رصنع لكب ةصاخلا تامئيلتلال أرقا
- رايتلال كللس عم ةراشلالا طبر تالكب عيمع جت بنجت ، ءاضوولاو ةهمهلال ع نمل . مكاحب سباق لك لالا دننم دكأت ددرتلال

جرخال ليغشت

- 1 - ليغشتلال عضو لئلي لولألا توصلال ربك فاقيا لئليغشت حاتم ردأ
- 2 - نم دكأت . ةدحولال فيلخالل بناجالا يلعل دوجوملا (جرخال) LINE OUT ذفنم يف (قفرم) RCA لبك فيلرط دحلأ لخدأ ذفنملا عم نوللا قباطت
- 3 - كلب صاخلالا لئلزنملا توصلال ربك زاهج (لخدلا) LINE IN ذفنم يف لبللال رخألا فرطلا لخدأ
- 4 - هليصوتب تمق يذلا توصلال ربك زاهجو ةدحولال ليغشتب مق
- 5 - توصلال ربك زاهج توصوتسم طبضب مق

توصلال جرخال ليغشت

- 1 - فاقيا لئلي عضو لئلي لولألا توصلال ربك فاقيا لئليغشت حاتم ردأ
- 2 - دكأت . ةدحولال فيلخالل بناجالا يلعل دوجوملا (توصلال جرخال) PHONO OUT ذفنم يف (قفرم) لبللال فيلرط دحلأ لخدأ ذفنملا عم نوللا قباطت نم
- 3 - كلب صاخلالا لئلزنملا توصلال ربك زاهج يف دوجوملا (توصلال لخد) PHONO IN ذفنم يف لبللال فيلرط دحلأ لخدأ
- 4 - هليصوتب تمق يذلا توصلال ربك زاهجو ةدحولال ليغشتب مق
- 5 - كئيدل توصلال ربك زاهج توصوتسم طبضب مق

سأرلة عامس ليغشت

1 - دحولل ةيمألا حوللا ىلع (نذألا عامس) Earphone ذفنم يف (ققفرم ريغ) سأرلة عامس ةعومجم ليصوتب مق سأرلة عامس سباق ليصوتب موقت ىتح أدبأ سأرلة عامس يدتترت ال :ةظحال

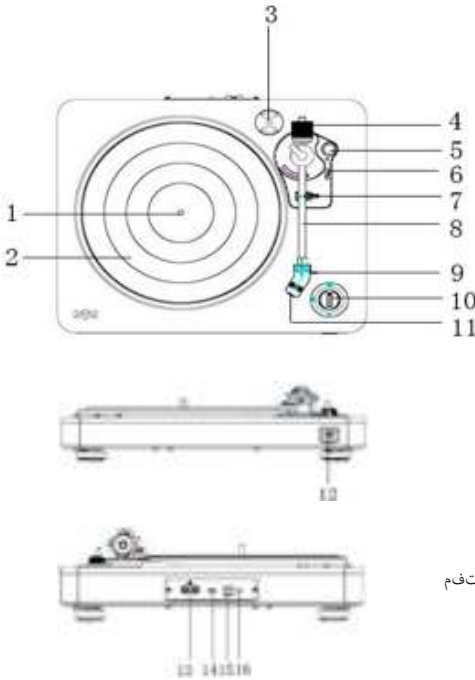
USB-PC ةفيظو

Audacity جم انرب

ةي:الال جم اربلا ىلع ققفرملا جم دملا صرقلا يوتحي

http://www.audacityteam.org/download/ طبارلا ىلع USB-PC ةفيظو صاخلا Audacity جم انرب تامي لعت ةفاك ىلع روثعلا نكمي

مكحتل احي تافم ناكم



1 - نارودلا دومع

2 - رأودلا صرقلا

3 - ققيقدلا يف ةرود 45 ئياهم

4 - نزاوملا لقتل

5 - قالزنالا ةمواقم ضبقم

6 - يكاحلا عارذ عفر يوتسم

7 - يكاحلا عارذ ةماعد كسام

8 - يكاحلا عارذ

9 - ليحستلا ملق

10 - فاقاي 33 / 45 ضبقم

11 - ةربإلا اطاغ

12 - نذألا عامس ذفنم

13 - RCA جرخ ذفانم

14 - يلوألا توصلا ربكم فاقاي / ليغشت حاتفم

15 - USB ذفنم

16 - ددترتلا رايتلا ةقاط ذفنم

تان اوطسالا ىل عامتسالا

1 - يجراخلا توصلا ربكم زاغ ليصوتب مق

2 - يزكرملا نارودلا دومع قوف EP ئياهم عض .يزكرملا نارودلا دومع قوف تان اوطسالا ليغشت زاغ ىلع ةناوطسا عض .ققيقدلا يف ةرود 45 تان اوطسا ليغشت دنع

3 - ةناوطسالا بسح ققيقدلا يف ةرود 45 وأ 33 ىلع ةعرسلا دحدم طبضا

- 4 - ليجستال ملق ىلع نم ةربإلا ءاطغ ةلازؤ يكاحال عارذ كبشم ريرحتب مق
- 5 - يكاحال عارذ عفر ةادأ مادختساب يكاحال عارذ عفرا
- 6 - ني عم راسم ةيادب ىلإ وأ ةناووسالا ةيادب ىلإ يكاحال عارذ كرح
- 7 - ليغشتلا ءدبل يكاحال عارذ عفر ةادأ مادختساب ةناووسالا ىلع قفرب يكاحال عارذ ضفخا
- 8 - مقو ةناووسالا نع يكاحال عارذ عفرا ،يودي لافاقي لإل .أي ئاقلت يكاحال عارذ فقوتيس ةناووسالا ءاهتنا دنن ع تيبثتلا عوضوم ىلإ هتداعإب

تاطحالم

- يكاحال عارذ ةنزاوم لبق ةربإلا ءاطغ ةلازإب مق
- يكاحال عارذ ةيامج لجا نم ءارجإ وأ ليدعت يأب مايقلال تدرأ ام لك يكاحال عارذ كسمأ
- ةناووسالا شدخو ةربإلا رسك ىلإ يدؤي دق كلذ نأل تاناووسالا ليغشت ءانثأ نزاوملا لقتلال طبض لواحت ال
- ةربإلا ةيامج ل لقتنلا لبق يكاحال عارذ تيبثت دِعأ
- اهرسك وأ ءدحوللا فلت عنمل لقتنلا لبق نزاوملا لقتلال ةلازإب مق
- ىلإ يدؤي يكاحال عارذ كبشم تيبثت نود هزازتها وأ رآودلا صرقللا ءكرح .أيودي هتراإ وأ صرقللا فاقيا لإ لواحت ال يكاحال عارذ فلت

قالزنالال ةمواقم

امدنع ةدحت يتللا لخدالدا وحن كرحتلا يوق قالزنالال ةمواقم لداعت. عضو يندأ يل ةداع قالزنالال ةمواقم طبض بجي نارودلا دومع نم بارتقالال دنع دئاز يطختل ضرعتي رآودلا صرقلال ناك اذا. ةناوطلالال زكرم نم ليجستلال ملق بركتي بروج. 1. اهرادقم ةدايز ةفاضإ أدب. صرقلال يل ةحوضوملا تاجردلا مادختساب قالزنالال ةمواقم ةدايز لواح، يزكرملا اذكو، برك اهتدايزب مق مٲ، اهءادأ

ليجستلال ملق فلتنم لاهدرفمب نزاوملا لقتلالو ياكحالل عارذ كرتا، قالزنالال ةمواقم طبض ءانثأ: ةظحالم (ةربلا).

اهلحو تالكشملا فاشكتسا ليلي

كسفن ةلكشملا لحن كلكمإب ناك اذا ام يرتل هاندأ يلي ام يل عالطالال يري، ةدحولو ي ةلكشم دوجو ةلاحي يف هعم لمداعت يذلا رجالاتب لاصتال لبقي

لماكلاب ةدحول

ةلكشملا	ببسل	لحل
امدنع ةيئابرهكلا ةقاطلال لصتال ةقاطلال حاتقم يل ع طغضلال متي	لصتم ريغ ةدحولو سباق	رايتلال ةقاطل دوزمب ةدحولو ليلصوت لددرتلم
توص دجوي ال	لخد عم ليغشتلال لخد قفاوتي ال ردصملا	ردصم ديدحت ةداعإ
جغزم توصلا	زاهج نم أذج ةبيرق ةدحولو لثامم رخأ زاهج وأ نوي زفلات	وأ نوي زفلاتلا زاهج ليغشت فاقاي ةدحولو لقنو، رخألا زاهجلا
نكمي ال وأ بيجست ال ةدحولو اهطبض ةداعإ	غيرفتلال لثم ةيچراخ لم او ع ريثأت يلع (ESD) يكي تاسورتكللال ةدحولو	دادمإ ةزهجأ عي مچو ةقاطلال كل س عزن سباق ليلصوت ةداعإ مٲ، ةقاطلال ةقيقد ةدعب ةدحولو

توصلال لغشم

ةلكشملا	ببسل	لحل
ليغشت دنع أجم عزم توصلال نوكي ةناوطلال	يف عوضوم ريغ ليجستلال ملق طسولال زكرم	ليجستلال ملق ناكم طبض ةداعإ طسولال زكرم يف عوضوملا
مادختسالال دنع أجم عزم توصلال نوكي نمزلال نم ةرتفل	فلات ليجستلال ملق	ليجستلال ملق لادبتسا يري ديدرجأب

ةمائلال تاطايتح

هينبنت:

ةبوطرلا وأ رطملال زاهجال ضرعت ال، ةيئابرهك ةمدص وأ قيرح شودح رطخ ليلقتل

ريذحت:

عاعشلال ضرعتلال يلدؤي دق اهديدحت مت يتلال كلت ريغ تاءارجإ ذي فننت وأ ليدعت وأ طبض تاي لممع مادختسا ريظ

ريذحت

!حتفت ال - ةيئابرهكلا تامدصلا رطخ

يفلخلال بانجالا واءاطعال عزن لواح ال ،ةيئابرهك ةمدصل ضرعتال رطخ ليلق لت

ىل ةنايصال ةيلمع ةلحلاب مق .مدختسمال قيرط نع ةنايصلل ةلباق لخالل يف عطق دجوت ال .نيصصختم ال ةنايصال يف ظوم



مدختسمال ريذحت ،عالضال اىواسم ثلثم لخاد دوجومل ،يمهسل سارل وء ءوضلا ضيمو زمرب ءصقئى رطخ لخالل ءفاك هءاقم نوكل ءق حتنم ال مسج لخاد لوزعم ريغ "ريطخ يئابرهك دهج" رصم دوجوم صاخشالاب ةيئابرهكلا ةمدصل



دوجوم مدختسمال ريذحت عالضال اىواسم ثلثم لخاد دوجومل بجعتال ءمالع زمرب ءصقئى .زاهل عم قفرملا بئتكلا يف ةنايصالو لغشيتلل ءمهم تاميلعت

(ءدحولل يفلخلال بانجالا لىع ءدوجومل تامالعال رظنا)

مق ،نمزلنا ءم ءليوط ءرتفل ءدحوللا مادختسا مت اءؤو .زتره 240 ~ تلوف 100 راي تب ءدحوللا هذه لمعت .ءدرتمل راي تال ءقاط رصم نم سبال ءلازباب

ءدحوللا لىغشت لبق حىحص لكشب تاليصوتلال عىم ءارج نم ءكأت

رطملا واءبوطرلل ءدحوللا ضيرعت مدع بجى

نم برقلاب ،لاثم ال لىبس لىع ،اهعضو بنجتو .يغبني امك اهت يوهت متت حىب ءدحوللا عضو بجى .بئتكلا ءنازخ لثم ءدم لكىه لخاد واءا ءاسل لىع واء رئاتسل

ءارحلال ءعابال رداصلال واء ءرشابملا سمشلا ءعشال ءدحوللا هذه ضرعت ال

ةيبنور تكلاللا / ةيئابرهكلا ءزهجلال تافلخم



ءيمىم يف ىرخلالا ءيبلنملا تافلخملا رئاس ءمهئم صلختلا مءءى بئنيب ءتنملا نأ لىل زمرلا الءههه ريشيب صلختلا بسبب ءيبرشلا ءحصلا وواء ءئيبللا لىء ررضلا عوقوو لللمتحا لىءءافل .ببورولالا ءءاحلا ءحئال ءءءاعل زيبعتل للووؤسم وءل لىء اههه ريبووء ءءءاعل لىءرئيب ،طبالوؤلا ءعضا ريبغ ققريط تايبلنملا نم وواء ءيمىملا وءءءاعلا مءماظنم الءختسا لىءرئيب ،مءءختسلا كك زلاهء ءءءاعلا ءءالو مءالمءسلا مءءختسلا رءتملا لىلصءلا

ةئيبللا لىء نملاا ريبووءءلا ءءءاعل ضراغلا كئمءءتنملا مءلمءسا رءتملا نكميبوو .ههئمءءتنملا تبيرتقلا لىءلا

ةبيراطبلا تاملبعء



لهءءلا ءيبلنملا تافلخملا رئاس ءمهئم صلختلا مءءى بئنيب تايبراطبلا نأ لىل زمرلا الءههه ريشيب ءحصلا وءئيبللا رءءءءءالو مءالمءسلا لىء لىءوتء

ءصصملا ءيمىملا نكاملال يف تايبراطبلا نم صلختلا لىءرئيب

NO



M A R L E Y

STIR IT UP TURNTABLE INSTRUKSER FOR PLATESPILLER

Velkommen til House of Marley

Det er en ære for oss at du har valgt Stir It Up Turntable-enheten som en del av din musikkopplevelse. Designet og materialutvalget til Stir It Up resonnerer fra vår Get Together BT-høytaler og retro-designdetaljer på platespillerne fra Bob Marley-æraen (1960-1980). Enkle former med fyldige materialer og forseggjort utførelse og finish. De naturlige materialene regelrett stråler.

FØR BRUK

1. Velg nøye hvor du ønsker å plassere enheten. Unngå å plassere den i direkte sollys eller nær en varmekilde. Unngå også steder utsatt for vibrasjoner og mye støv, kulde eller fukt. Unngå kilder som summer, for eksempel transformatorer eller motorer.
2. Ikke åpne kabinettet. Dette kan føre til skader på strømkretssystemet eller elektrisk støt. Hvis et fremmedlegeme skulle komme seg inn i enheten, ta kontakt med kundeservice.
3. Ikke håndter platene med skitne fingre. Aldri spill av en plate med hakk eller sprekk i.
4. Når du skal ta pluggen ut av stikkkontakten, dra alltid direkte i pluggen og aldri i ledningen.
5. For å beskytte stifen må du huske å sette på den hvite beskyttelsen etter bruk.
6. Ikke rengjør enheten med kjemiske løsemidler, dette kan skade finishen. Bruk en ren, tørr klut.
7. For å kutte strømmen til enheten fullstendig, dra pluggen ut av stikkkontakten. Sørg for å dra ut pluggen hvis du ikke har tenkt å bruke enheten på en stund, for eksempel hvis du drar på ferie.
8. Oppbevar denne brukerveiledningen på et trygt sted slik at du kan sjekke den senere.

MONTERING

1. Ta ut alle komponentene fra pakken og plasser produktet på en stabil overflate.
 2. Legg beltet rundt nederste del av metallplaten. Sørg for at beltet ikke er vridd. Bruk tommelen for å strekke beltet som illustrasjonen under viser.
 3. Reverser platen og ikke glem å holde på beltet. Tilpass spindelen og plasser platen på enheten.
 4. Legg beltet, som du holder med tommelen, rundt hovedrotasjonssøylen av de tre søylene.
 5. Legg dreieskivematten på platen. Dette avslutter hovedmonteringen.
- NB:** For å demontere dreieskiven må du ta direkte på den og dra den rett opp.
6. Fjern motvekten og plasser den på sitt rette sted på pickuparmen (se illustrasjon).
 7. Fjern 45 rpm-adapter og plasser den i sitt nye hjem øverst til høyre på platespilleren.



Å KOBLE TIL STRØM PÅ DIN STIR IT UP TURNTABLE

Stir It Up Turntable bruker en AC-strømforsyning og drives av et vanlig vegguttak.

1. Plugg nettstrømledningen (AC) i Stir It Up-enheten.
2. Sett veggstøpselet i en hensiktsmessig veggkontakt.

LETT Å BRUKE

1. Plugg strømforsyningen inn i en stikkontakt.
2. Vri på OFF/33/45-bryteren for å slå enheten på og velge hastigheten som passer til platen du ønsker å spille av.
3. Plasser en plate på dreieskiven. Husk å bruke 45 RPM-adapter som er plassert øverst til høyre på platespilleren, for å spille av en 45 RPM-plate.
4. Løft og flytt pickuparmen til dreieskiven. Plasser pickuparmen på kanten av platen og den vil begynne å spille av.
5. Monter balansevekten og sett den i korrekt stilling.

NB: Balansevekten skal justere på trykket til stifen. Hvis trykket er for stort vil lyden bli forvrengt, men er trykket for lite skal ikke mye til før musikken hopper. Juster balansevekten ved å vri på den med eller mot klokken.

6. For å stoppe eller sette musikken på pause må du manuelt løfte og flytte pickuparmen tilbake til utgangsposisjon.
7. Når platen er gjennomspilt vil pickuparmen og rotering stoppe. Løft pickuparmen og plasser den tilbake til utgangsposisjon.

TILKOBLINGER

FORSIKTIG: Koble fra all strøm til utstyret før annen tilkobling. Les gjennom instruksene for hver komponent du ønsker å bruke sammen med denne enheten. Sørg for at alle plugger og kontakter er ordentlig tilkoblet. For å unngå summing og u lyd, unngå å samle signalkablene sammen med AC-strømledningen.

Bruk av Line Out

1. Vri PRE-AMP OFF/ON-bryteren til ON-posisjon.
2. Plugg den ene enden av RCA-kabelen (følger med) inn i LINE OUT-inngangen bak på enheten. Sørg for at fargene passer med fargene på inngangen.
3. Plugg den andre enden av kabelen inn i LINE IN-inngangen på forsterkerenheten din.
4. Slå på enheten og forsterkersystemet du har koblet til.
5. Juster volumet på forsterkerenheten.

BRUK AV PHONO OUT

1. Vri PRE-AMP OFF/ON-bryteren til OFF-posisjon.
2. Plugg den ene enden kabelen (følger med) inn i PHONO OUT-inngangen bak på enheten. Sørg for at fargene passer med fargene på inngangen.
3. Plugg den andre enden av kabelen inn i PHONO IN-inngangen på forsterkeren-

heten din.

4. Slå på enheten og forsterkersystemet du har koblet til.
5. Juster volumet på forsterkerenheten.

BRUK AV HODETELEFONER

1. Koble til hodetelefoner (følger ikke med) i hodetelefon-inngangen på framsiden av enheten.

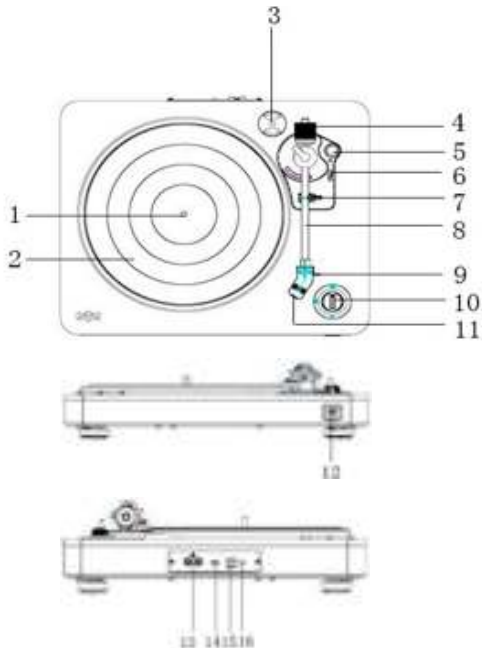
NB: Ta aldri på deg hodetelefonene før pluggen er tilkoblet hodetelefon-inngangen.

BRUK AV USB-PC, AUDACITY SOFTWARE

Fullstendig veiledning for Audacity Software USB-PC-funksjon finner du på <http://www.audacityteam.org/download/>

KONTROLLPLASSERINGER

1. Spindel
2. Dreieskive
3. 45 Rpm-adapter
4. Balansevekt
5. Anti-skating-bryter
6. Pickuparmens hevarm
7. Pickuparm-holder
8. Pickuparm
9. Stift
10. Off / 33/45-bryter
11. Nålbekyttelse
12. Hodetelefoninngang
13. RCA-kontakter
14. Pre-amp off/on-bryter
15. Usb-inngang
16. Ac strømkontakt



Å LYTTETIL PLATER

1. Koble til ekstern forsterker.
2. Legg en plate på dreieskiven, over midtspindelen. Sett på EP-adapter over midtspindel for avspilling av 45 rpm-plater.
3. Sett hastigheten til 33 eller 45 rpm avhengig av platen du ønsker å spille av.

NO

4. Løsne på klemmen som holder pickuparmen og ta nålbeskyttelsen av stiften.
5. Løft pickuparmen med hevarmen til pickupen.
6. Flytt pickuparmen til starten av platen eller til starten av sporet du ønsker å spille av.
7. Senk pickuparmen forsiktig ned på platen med hevarmen for å starte avspillingen.
8. Når platen er gjennomspilt vil pickuparmen automatisk stoppe. For å stoppe manuelt, løft pickuparmen opp fra platen og plasser den i utgangsposisjonen.

MERK:

- Fjern nålbeskyttelsen før du justerer balansen til pickuparmen.
- Hold pickuparmen når du foretar justeringer eller andre handlinger for å beskytte pickuparmen.
- Ikke forsøk å justere på balansevekten under avspilling. Det kan føre til at nålen ødelegges og platen får riper.
- Fest pickuparmen i utgangsposisjonen igjen før eventuell transport for å beskytte nålen.
- Fjern balansevekten før eventuell transport for å unngå skader eller brudd på enheten.
- Aldri stopp eller vri manuelt på platen. Flytting eller risting på dreieskiven uten at pickuparmen er festet, kan føre til skader på pickuparmen.

ANTI-SKATING

Normalt skal anti-skating være innstilt på minimum. Anti-skate kompensere for innoverrettet krefter som forekommer med enkelte pickuper når stiften nærmer seg midten av platen. Hvis man opplever at dreieskiven hopper uvanlig mye når man nærmer seg midtspindelen, forsøk å øke anti-skating-verdien som vist på tallskiven. Begynn med å øke med 1, gjør et forsøk med denne innstillingen før du eventuelt øker med én til, og så videre.

NB: Under justering av anti-skating-bryteren, ikke bruk eller rør pickuparmen og balansevekten for å unngå skader på stiften (nålen).

FEILSØKINGSINSTRUKS

Hvis det oppstår problemer med enheten, les gjennom den nedenstående og forsøk å løse problemet på egen hånd før du kontakter forhandleren.

HELE ENHETEN

PROBLEM	ÅRSAK	LØSNING
Den slår seg ikke på når man trykker ned på-knappen.	Enheden er frakoblet.	Koble enheten til AC-strømforsyningen.
Ingen lyd	Anvendt inngang er ikke den samme som kildeinngang.	Velg ny kilde.
Det er støy i lyden.	Enheden er for nærme en TV eller lignende apparat.	Slå av TV-en eller det lignende apparatet og flytt enheten til en ny plass.
Enheden responderer ikke eller kunne ikke tilbakestilles.	Eksterne elementer som ESD (elektrostatisk utladning) har innvirkning på enheten.	Fjern strømledningen og alle strømtilkoblede enheter, plugg deretter enheten inn igjen etter ett minutt.

PHONO-SPILLER

PROBLEM	ÅRSAK	LØSNING
Det er støy i lyden under avspilling av plate.	Stiften er ikke plassert i midten	Erstatt stiften som er plassert i midten.
Det er støy i lyden når den har vært i bruk en periode.	Stiften er ødelagt.	Erstatt stiften med en ny.

SIKKERHETSFORANSTALTNINGER

ADVARSEL: For å redusere faren for brann eller elektrisk støt, ikke utsett apparatet for regn eller fuktighet.

FORSIKTIG: Bruk av kontroller eller justeringer eller utførelse av prosedyrer andre enn de som er oppgitt, kan føre til eksponering av farlig stråling.

FORSIKTIG: FARE FOR ELEKTRISK STØT – IKKE ÅPNE!

For å redusere faren for elektriske støt, ikke fjern deksel eller bakside.

Det finnes ingen innvendige deler som brukeren kan reparere eller utføre service på. Service skal henvises til kyndig og kvalifisert servicepersonell.



Lysblinking med pilspiss-symbol i en likesidet trekant varsler brukeren om faren for ikke-isolert "farlig spenning" i produktets kabinett som kan være av tilstrekkelig størrelse til å utgjøre en fare for elektrisk støt.



Utropstegnet i en likesidet trekant varsler brukeren om viktige veiledning angående håndtering og vedlikehold (service) i apparatets medfølgende litteratur.

(Se merking på baksiden av enheten.)

Enheten drives av 100-240V. Hvis enheten ikke brukes over en lengre periode, koble pluggen fra strømmettet.

Forsikre deg om at alle tilkoblinger er gjort ordentlig før bruk av enheten.

Enheten må ikke utsettes for fukt eller regn.

Enheten trenger god ventilering. Unngå å plassere den, for eksempel, nær gardiner, på et teppe eller i en innebygd installasjon som en bokhylle.

Ikke utsett enheten for direkte sollys eller varmekilder.

VIKTIG SIKKERHETSINFORMASJON

1. Etterfølg og ta vare på disse instruksjonene.
2. Følg alle advarsler.
3. Skal ikke brukes i nærheten av vann.
4. Rengjør bare med en tørr klut.
5. Ikke blokker ventilasjonsåpninger. Montering skal foretas i henhold til produsentens instruksjoner.
6. Apparatet må ikke installeres i nærheten av varmekilder slik som radiatorer, varmegitter og ovner, eller andre apparater (inkludert forsterkere) som utvikler varme.
7. Beskytt strømledningen slik at den ikke blir tråkket på eller klemt, spesielt på støpsel, stikkontakt, og på punktene hvor de kommer ut fra apparatet.
8. Det skal kun brukes tilbehør/tilleggsutstyr som er spesifisert av produsenten.
9. Trekk ut strømledningen ved lyn og torden, eller når enheten ikke skal brukes i en lengre periode.
10. All service skal henvises til kyndig og kvalifisert servicepersonell. Hvis apparatet på noe måte har blitt skadet, er det nødvendig med service på ting som en ødelagt strømledning eller støpsel, hvis væske har blitt sølt eller om gjenstander har falt ned/inn i apparatet, eller om apparatet har blitt utsatt for regn eller fuktighet, hvis det ikke fungerer normalt, eller om enheten har falt i gulvet.
11. For å redusere faren for brann eller elektrisk støt, ikke utsett apparatet for regn eller fuktighet.
12. FORSIKTIG: Batteriet kan eksplodere dersom det ikke skiftes ut på riktig måte. Du må erstatte batteriet med et batteri av samme eller tilsvarende type.

WEEE FORKLARING



Denne merkingen indikerer at innen EU skal dette produktet ikke kastes sammen med annet husholdningssoppel. For å forebygge mulig skade på miljøet eller menneskelig helse forårsaket av ukontrollert avfallstoming, skal produktet gjenvinnes ansvarlig for å støtte holdbar gjenbruk av materialressurser. For å returnere den brukte anordningen, vennligst bruk retur- og hentesystemet, eller ta kontakt med detaljisten hvor pro-

duktet ble kjøpt. De kan sørge for miljøvennlig gjenvinning av produktet.

BATTERIDIREKTIV



Dette symbolet indikerer at batteriene ikke må kastes sammen med vanlig husholdningsavfall da de inneholder substanser som kan skade miljøet og helsen. Vær vennlig å kaste batterier i angitte oppsamling-spunkter.

ADVARSEL

Batteriet (i fjernkontrollen) skal ikke utsettes for sterk varme, som for eksempel solskinn, ild eller lignende.

ADVARSEL

Ikke INNTA BATTERIET, FARE FOR KJEMISKE BRANNSKADER

Dette produktet inneholder et myntbatteri. Hvis myntbatteriet svelges, kan det forårsake alvorlige innvendige brannskader på bare to timer og kan føre til dødsfall. Hold nye og brukte batterier utenfor barns rekkevidde. Hvis batterirommet ikke kan lukkes trygt, må du slutte å bruke produktet og holde det utenfor barns rekkevidde. Hvis du tror at batterier kan ha blitt svelget eller plassert inne i noen del av kroppen må du oppsøke legehjelp umiddelbart.

Dette apparatet kan brukes av barn på 8 år og eldre, og personer med redusert fysisk, sensorisk eller mental evne, eller som mangler erfaring og kunnskap hvis de er under tilsyn eller får instruksjon angående bruken av apparatet på en trygg måte og forstår farene som er involvert. Barn skal ha tilsyn for å være sikker på at de ikke leker med apparatet.



M A R L E Y

STIR IT UP -LEVYSOITIN LEVYSOITTIMEN KÄYTTÖOHJEET

Tervetuloa House of Marleyn pariin

Olemme iloisia siitä, että olet valinnut Stir It Up -levysoittimen osaksi musiikkikokemustasi. Stir It Up -levysoittimen malli ja materiaalit ovat saaneet vaikutteita Get Together BT -kaiuttimestamme ja Bob Marleyn aikakauden (1960-1980) levysoittimien retro-muotoilusta. Yksinkertaiset muodot ja runsaat materiaalit ja pinnat. Anna luonnonmateriaalien loistaa.

ENNEN KÄYTTÖÄ

1. Valitse laitteen asennuspaikka huolellisesti. Vältä asentamasta sitä suoraan auringonvaloon tai lähelle lämmön lähteitä. Vältä myös täriseviä, pölyisiä, kylmiä ja kosteita paikkoja. Pidä poissa hurinaa aiheuttavien laitteiden, kuten muuntajien ja moottoreiden, läheisyydestä.
2. Älä avaa koteloa, sillä se voi vahingoittaa sähköpiiriä tai aiheuttaa sähköiskun. Jos laitteen sisälle joutuu vierasta materiaalia, ota yhteyttä asiakaspalveluun.
3. Älä käsittele levyjä likaisilla käsillä. Älä koskaan soita levyä, jonka pinnassa on särö.
4. Kun irrotat pistokkeen seinäpistorasiasta, vedä pistokkeesta - älä vedä johdosta.
5. Suojaa neula laittamalla valkoinen suojuus paikalleen käytön jälkeen.
6. Älä yritä puhdistaa laitetta kemiallisilla liuottimilla, sillä ne voivat vahingoittaa pintamateriaalia. Käytä puhdasta kuivaa liinaa.
7. Jos haluat sammuttaa virran laitteesta kokonaan, ota pistoke pois pistorasiasta. Muista irrottaa laitteen pistoke pistorasiasta, jos laitetta ei aiota käyttää pitkään aikaan, esim. loman ajaksi.
8. Säilytä nämä ohjeet turvallisessa paikassa tulevaa tarvetta varten.

KOKOAMINEN

1. Ota kaikki osat pois pakkauksesta ja aseta laite tukevalle alustalle.
2. Aseta hihna metallisen levylautasen pohjaan. Varmista, että hihna on suorassa. Venytä hihnaa peukalolla, kuten alla olevassa kuvassa on esitetty.
3. Käännä alusta ylösalaisin ja pidä samalla kiinni hihnasta. Sovita keskiakseli ja aseta levylautanen laitteeseen.
4. Kierrä hihna, jota pitelet peukalollasi, kolmion muodossa olevien hihnapyörien valkoisen päätapin ympärille.
5. Aseta kumimatto levylautasen päälle. Asennus on nyt valmis.

HUOMAUTUS! Jos haluat poistaa levylautasen, tartu siihen kiinni ja vedä suoraan ylöspäin.

6. Ota vastapaino pakkauksesta ja aseta se oikealle paikalleen äänivarteen (katso kuva).
7. Ota 45 min./kierr -sovitin pakkauksesta ja aseta se uudelle paikalleen levysoittimen oikeaan yläkulmaan.



STIR IT UP -LEVYSOITTIMEN KÄYNNISTYS

Stir It Up -levysoitin toimii tavallisella verkkovirralla.

1. Kytke AC-virtalähde Stir It Up -laitteeseen.
2. Kiinnitä pistoke sopivaan seinäpistorasiaan.

HELPPO KÄYTTÄÄ

1. Kiinnitä AC-virtalähde seinäpistorasiaan.
2. Kytke laite päälle pyörittämällä OFF/33/45-säädintä ja valitse nopeus soitettavan levyn mukaan.
3. Aseta levy levylautaselle. Muista käyttää oikeassa yläkulmassa olevaa 45 kierr./min -sovitinta, kun toistat 45 kierr./min pyöriä levyjä.
4. Nosta äänivarsi ja siirrä se levylautaselle. Aseta äänivarsi levyn reunalle ja levy alkaa soida.
5. Aseta vastapaino sopivalle kohdalle. Vastapaino säätää neulavoimaa.

HUOMAUTUS! Jos neulavoima on liian suuri, ääni vääristyy, jos se on liian pieni, raitojen ohitusta tapahtuu helposti. Säädä vastapainoa kääntämällä sitä myötöpäivään tai vastapäivään.

6. Toisto keskeytetään tai lopetetaan nostamalla äänivarsi ylös ja siirtämällä se äänivarsitelineeseen manuaalisesti.
7. Kun levyn loppu saavutetaan, äänivarsi pysähtyy ja pyörintä loppuu. Nosta äänivarsi ylös ja aseta se äänivarsitelineeseen manuaalisesti.

LIITÄNNÄT

Huomautus: Sammuta virta kaikista laitteista ennen liitäntöjen tekemistä. Lue kaikkien niiden laitteiden käyttöohjeet, joita aiot käyttää tämän laitteen kanssa. Varmista, että kaikki pistokkeet ovat kunnolla kiinni. Huminan ja kohinan välttämiseksi signaalikaapeleita ei tule niputtaa yhteen virtajohdon kanssa.

LINE OUT -LÄHTÖLIITÄNTÄ

1. Kytke PRE-AMP OFF/ON -KYTKIN ON-asentoon.
2. Kytke RCA-kaapelin (sis. toimitukseen) toinen pää laitteen takana olevaan LINE OUT-liitäntään. Varmista, että kaapelin väri on sama kuin liitännän väri.
3. Kytke kaapelin toinen pää vahvistimen LINE IN-liitäntään.
4. Kytke virta laitteeseen ja vahvistimeen, jonka juuri kytkit.
5. Säädä vahvistimen äänenvoimakkuutta.

PHONO OUT -LÄHTÖLIITÄNTÄ

1. Kytke PRE-AMP OFF/ON -KYTKIN OFF-asentoon.
2. Kytke kaapelin (sis. toimitukseen) toinen pää laitteen takana olevaan PHONO OUT -liitäntään. Varmista, että kaapelin väri on sama kuin liitännän väri.
3. Kytke kaapelin toinen pää vahvistimen PHONO IN -liitäntään.
4. Kytke virta laitteeseen ja vahvistimeen, jonka juuri kytkit.
5. Säädä vahvistimen äänenvoimakkuutta.

KUULOKKEIDEN KÄYTTÖ

1. Kytke kuulokkeet (eivät sisälly toimitukseen) laitteen etupaneelissa olevaan kuulokeliitäntään.

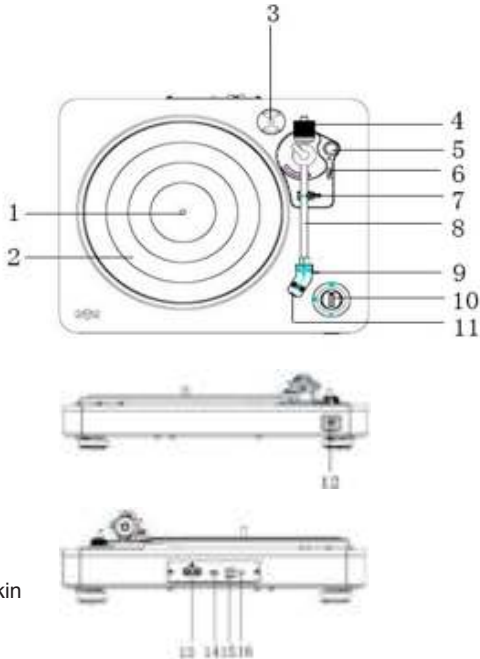
HUOMAUTUS! Älä koskaan laita kuulokkeita korillesi ennen kuin olet kytkenyt kuulokeliittimen.

USB-PC-TOIMINNOT, AUDACITY-OHJELMA

Täydelliset ohjeet Audacity-ohjelman USB-PC-toimintoihin löytyvät osoitteesta <http://www.audacityteam.org/download/>

SÄÄTIMET

1. Keskiakseli
2. Levylautanen
3. 45 Kierr./Min -sovitin
4. Vastapaino
5. Anti-skating-säädin
6. Äänivarren nostin
7. Äänivarsiteline
8. Äänivarsi
9. Neula
10. Pois/33/45-säädin
11. Neulasuoja
12. Kuulokeliitäntä
13. Rca-lähtöliitännät
14. Esivahvistin päällä/pois-kytkin
15. Usb-liitäntä
16. Virtaliitäntä



LEVYJEN KUUNTELU

1. Kytke ulkoinen vahvistin.

2. Aseta levy levylautaselle keskiakseliin. Aseta sovitin keskiakseliin, kun toistat 45 kierr./min pyöriä levyjä.
3. Aseta nopeusvalitsin joko 33- tai 45-asentoon levystä riippuen.
4. Vapauta äänivarren pidin ja poista neulasuoja neulasta.
5. Nosta äänivarsi ylös äänivarren nostimella.
6. Aseta äänivarsi levyn alkuun tai tietyn raidan alkuun.
7. Laske äänivarsi varovasti levyille äänivarren nostimella käynnistääksesi toiston.
8. Kun levyn loppu saavutetaan, äänivarsi pysähtyy automaattisesti. Jos haluat pysäyttää levyn manuaalisesti, nosta nostovarsi pois levyiltä ja siirrä se telineeseensä.

HUOMAUTUKSIA!

- Poista neulan suoja ennen kuin tasapainostat äänivarren.
- Pidä kiinni äänivarresta, kun teet säätöjä tai liikutat sitä, jotta se ei vahingoitu.
- Älä yritä säätää vastapainoa levyn pyöriessä, sillä neula voi mennä rikki ja levy voi naarmuuntua.
- Kiinnitä äänivarsi telineeseensä ennen laitteen siirtämistä, jotta neula ei vahingoitu.
- Poista vastapaino ennen laitteen siirtämistä, jotta laite ei vahingoitu.
- Älä pysäytä tai pyöritä levylautasta manuaalisesti. Jos levylautasta liikutetaan tai nykäistään ilman, että äänivarsi on kiinnitetty pidikkeeseensä, äänivarsi voi vahingoittua.

ANTI-SKATING-SÄÄDIN

Anti-skating tulee normaalisti säätää pienimmälle asetukselle. Anti-skate kompensoi sivuttaisliikettä, joka tapahtuu tietyn värähtelyn kohdalla, kun neula lähestyy levyn keskiosaa. Jos levy hyppii kovasti keskiakselia lähestyttäessä, yritä lisätä anti-skating-asetusta asteittain. Aloita lisäämällä yksi pykälä kerrallaan, testaa ja lisää enemmän tarpeen mukaan.

Huomautus! Kun säädät anti-skating-säädintä, älä liikuta äänivartta ja vastapainoa, jottei neula vahingoitu.

VIANMÄÄRITYS

Jos laitteessa ilmenee ongelmia, lue alla annetut ohjeet ja yritä ratkaista ongelma itse, ennen kuin soitat huoltoon.

KOKO LAITE

ONGELMA	SYY	RATKAISU
Virta ei tule päälle, kun virtapainiketta painetaan.	Laite ei ole kytketty verkkoon.	Kytke laite pistorasiaan.
Ääntä ei kuulu	Tuloliitäntä ei vastaa äänilähteen tuloa.	Valitse lähde uudelleen.
Kuuluu hälyääniä.	Laite on liian lähellä TV:tä tai muuta vastaavaa laitetta.	Sammuta TV tai muu laite tai laita laite toiseen paikkaan.
Laitteesta ei kuulu mitään tai sitä ei voi resetoida.	Ulkoiset tekijät, kuten sähköstaattinen purkaus, vaikuttavat laitteeseen.	Irrota virtajohto ja sammuta kaikki virtalaitteet ja kytke pistokkeet takaisin yhden minuutin kuluttua.

PHONO-SOITIN

ONGELMA	SYY	RATKAISU
Ääni on meluisa levyä toistettaessa.	Neula ei ole keskellä.	Vaihda neula, joka on keskellä.
Ääni on meluisa pitkän käytön jälkeen.	Neula on vahingoittunut.	Vaihda tilalle uusi neula.

TURVALLISUUSVAROTOIMET

VAROITUS! Pienentääksesi tulipalon ja sähköiskun riskiä, älä sijoita laitetta paikkaan, jossa se altistuu sateelle tai kosteudelle.

HUOMIO! Muiden kuin mainittujen säätöjen tai toimenpiteiden tekeminen saattaa johtaa vaaralliseen säteilyaltistukseen.

HUOMIO! SÄHKÖISKUVAARA - EI SAA AVATA!

Pienentääksesi sähköiskun riskiä, älä poista suojaa tai takapaneelia.

Ei sisällä käyttäjän huollettavia osia. Anna kaikki huoltotyöt ammattihenkilön tehtäväksi.



Kolmion sisällä olevan nuolipäisen salaman tarkoitus on varoittaa käyttäjää laitteen sisällä olevasta eristämättömästä "vaarallisesta jännitteestä", joka voi olla riittävän voimakas aiheuttaakseen sähköiskuvaaran ihmiselle.



Kolmion sisällä olevan huutomerkin tarkoitus on muistuttaa käyttäjälle laitteen mukana toimitetuista tärkeistä käyttö- ja kunnossapito-/huolto-ohjeista.

(Katso laitteen takana olevat merkinnät.)

Tämä laite toimii verkkovirralla (100 - 240 Hz:n). Jos laitetta ei käytetä pitkään aikaan, irrota pistoke pistorasiasta.

Varmista, että kaikki liitännät on tehty oikein ennen laitteen käyttöä.

Tätä laitetta ei saa altistaa kosteudelle tai sateelle.

Laitte tulee asettaa niin, että riittävä ilmankierto on taattu. Laitetta ei suositella asetettavaksi verhojen lähelle, maton päälle tai umpirakenteeseen, kuten kirjahyllyyn.

Laitetta ei saa altistaa suoralle auringonvalolle tai lämpösäteilylle.

TÄRKEITÄ TURVALLISUUSTIETOJA

1. Noudata näitä ohjeita ja säilytä ne.
2. Huomioi kaikki varoitukset.
3. Älä käytä tätä laitetta lähellä vettä.
4. Puhdista vain kuivalla liinalla.
5. Älä tuki ilmanottoaukkoja. Käynnistä Asenna valmistajan ohjeiden mukaisesti.
6. Laitetta ei saa sijoittaa lämmönlähteiden, kuten lämpöpatterien, sähkölämmittimien tai muiden lämpöä tuottavien sähkölaitteiden (kuten vahvistimien) välittömään läheisyyteen.
7. Varmista, ettei virtajohdon päälle astuta eikä se joudu puristukseen, erityisesti pistokkeen kohdalla, sekä kohdassa, mistä virtajohto tulee ulos laitteesta.
8. Käytä vain valmistajan hyväksymiä lisäosia/tarvikkeita.
9. Irrota verkkojohdon pistotulppa pistorasiasta ukonilmalla tai jos laitetta ei käytetä pitkään aikaan.
10. Anna kaikki huoltotyöt ammattihenkilön tehtäväksi. Jätä kaikki huolto valtuutetun huoltoliikkeen suoritttavaksi. Huoltoa tarvitaan, jos laite on vaurioitunut millään lailla: esim. jos sen verkkojohto tai pistoke on vaurioitunut, laitteen sisälle on joutunut nestettä tai jokin esine, laite on altistunut sateelle tai kosteudelle, se ei vaikuta toimivan kunnolla tai se on pudotettu.
11. Pienentääksesi tulipalon ja sähköiskun riskiä, älä sijoita laitetta paikkaan, jossa se altistuu sateelle tai kosteudelle.
12. **HUOMAUTUS:** On olemassa Räjähdyshaara on olemassa , jos paristo asetetaan väärin paikalleen. Vaihda vain samanlaiseen tai vastaavantyyppiseen paristoon.

WEEE-SELITYS



Tämä merkki tarkoittaa, että tämä tuote ei saa havittaa muiden talousjätteiden mukana missään EU-maassa. Kontrollioimattomasta jätteiden havittamisesta mahdollisesti aiheutuvien ympäristöhaittojen tai terveysvaarojen estämiseksi havita tämä tuote vastuullisesti edustaaksesi materiaalivarojen uudelleenkäyttöä. Palauta käytetty laite käyttäen palautus- ja noutojärjestelmää tai ota yhteyttä laitteen myyneeseen liikkeeseen. He voivat kierrättää tämän tuotteen ympäristöturvallisesti

AKKUJ A KOSKEVA DIREKTIIVI



Tama symboli tarkoittaa, etta akkuja ei saa haviittaa talousjatteiden mukana, koska ne sisältävät aineita, jotka voivat olla vahingollisia ymparistolle ja terveydelle. Vie akut niille tarkoitettuihin kerayspisteisiin.

VAROITUS

Paristoa (kaukosäätimessä) ei saa altistaa liialliselle kuumuudelle, kuten auringonvalolle, avotulelle jne.

VAROITUS PARISTOJA EI SAA NIEIÄ. KEMIAALISEN PAIOVAMMAN VAARA.

Tässä tuotteessa on nappiparisto. Jos nappiparisto joutuu nieluun, se voi aiheuttaa vakavia palovammoja jo kahden tunnin sisällä, ja se voi johtaa kuolemaan. Uudet ja käytetyt paristot täytyy pitää poissa lasten ulottuvilta. Jos paristokotelo ei mene kunnolla kiinni, lopeta laitteen käyttö ja pidä se poissa lasten ulottuvilta. Jos on syytä epäillä, että nappiparisto on joutunut nieluun ja muualle kehon sisälle, ota välittömästi yhteyttä lääkäriin.

Tätä laitetta voivat käyttää yli 8-vuotiaat lapset ja henkilöt, joilla on rajoittuneet fyysiset, sensoriset tai henkiset kyvyt tai kokemuksen ja tiedon puutetta, jos heitä on valvottu, heille on annettu opastusta laitteen turvallisessa käytössä, ja he ymmärtävät laitteen käyttöön liittyvät vaaratilanteet. Lapsia on valvottava, jotta he eivät leiki laitteen kanssa



M A R L E Y

STIR IT UP-SKIVSPELARE INSTRUKTIONER FÖR SKIVSPELARE

Välkommen till House of Marley

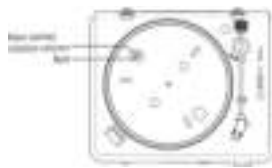
Vi är glada att du har valt Stir It Up-skivspelare för att bli del av din musikupplevelse. Stir It Up har design och material med känsla från våra Get Together BT-högtalare och retro-designade detaljer från skivspelare från Bob Marley-eran (1960-1980). Enkla former med fina material, passform och finish. Låt de naturliga materialen skina.

INNAN ANVÄNDNING

1. Välj noga vart enheten ska installeras. Undvik att placera i direkt solljus eller nära en värmekälla. Undvik även platser som utsätts för mycket vibrationer och damm, kyla eller fukt. Håll borta från källor som brummar, såsom transformatorer eller motorer.
2. Öppna inte skåpet eftersom det kan resultera i skada på kretsarna eller ge elchock. Om ett främmande föremål skulle hamna inne i enheten, kontakta kundtjänst.
3. Se till att inte hantera skivor med smutsiga fingra. Spela aldrig en skiva som har en spricka på ytan.
4. När du tar ut kontakten från vägguttaget, dra alltid direkt i kontakten, dra aldrig i sladden.
5. För att skydda pickupnålen, glöm inte att sätta tillbaka det vita skyddshöljet efter användning.
6. Försök inte att rengöra enheten med kemiska lösningsmedel eftersom detta kan skada finishen. Använd en ren, torr trasa.
7. För att stänga av effekten till denna produkt till fullo, ta ur kontakten från vägguttaget. Se till att ta ur enhetens kontakt om den inte ska användas under en längre tidsperiod, såsom under semester.
8. Förvara denna bruksanvisning på en säker plats för framtida referens.

MONTERING

1. Ta ur alla komponenterna från förpackningen och placera produkten på en stabil yta.
 2. Installera remmen på metallplattans undersida. Se till att remmen inte installeras vriden. Använd din tumme för att sträcka remmen såsom illustrationen visar nedan.
 3. Vänd plattan och glöm inte att fortsätta att hålla remmen. Pricka in spindeln och för in plattan på enheten.
 4. Installera remmen som hålls med din tumme in i den huvudsakliga (vita) roteringskolonnen i den triangulära kolonnmonteringen.
 5. Placera skivtallriken matta på plattan. Sedan är den huvudsakliga enheten monterad.
- OBS!** För att ta isär skivtallriken, grabba tag i skivtallriken direkt och dra uppåt
6. Avlägsna motvikten och placera på dess plats på pickuparmen (se illustrationen).
 7. Avlägsna 45 vpm-adaptorn och placera den på sin nya plats i övre högra hörnet på skivspelaren.



AKTIVERA DIN STIR IT UP-SKIVSPELARE

Din Stir It Up-skivspelare använder en AC- effektmatning och ansluts till ett standardvägguttag.

1. Sätt AC-effektmatningen i Stir It Up.
2. Sätt väggkontakten i ett passande vägguttag.

ENKEL ATT ANVÄNDA

1. Anslut AC-effektmatningen till ett hushållsuttag.
2. Roter OFF (AV)/33/46-knoppen på enheten och välj hastigheten i enlighet med skivan som du ska spela.
3. Placera en skiva på skivtallriken. Kom ihåg att använda 46 VPM-adaptern längst upp till höger när du spelar en 46 VPM-skiva.
4. Lyft och flytta pickuparmen till skivtallriken. Placera pickuparmen på skivans yttersta kant och skivan börjar spela.
5. Montera balansvikten och placera i en passande position.

OBS! Balansvikten är där för att justera trycket på nålen. Om trycket är för hårt kommer ljudet att förvrängas; om trycket är för lätt kan spår hoppas över. Justera balansvikten genom att vrida balansvikten medurs eller moturs.

6. För att pausa uppspelningen måste du manuellt lyfta och flytta pickuparmen tillbaka till pickuparmens hållare.
7. När slutet av skivan nås kommer pickuparmen och roteringen av skivan att stanna. Lyft manuellt upp pickuparmen och placera pickuparmen i sin hållare.

ANSLUTNINGAR

FÖRSIKTIGHET!

Stäng av effekten till all anslutning innan du ansluter. Läs anvisningarna för varje komponent som du tänker använda med denna enhet. Var noga med att sätta i varje kontakt ordentligt. För att förhindra surr och ljud, undvik att paketera hopkopplade sladdar tillsammans med AC-effektssladden.

Drift av linjeutgång

1. Ändra PRE-AMP OFF (av)/ON (på)-kontakten till ON (PÅ)-position.
2. Sätt i ena änden av RCA-sladden (inkluderad) till LINE OUT (linjeutgång) uttaget på enhetens baksida. Se till att matcha färgen med uttaget.
3. Sätt i den andra änden av sladden i en LINE IN (linjeingång) på ditt hems förstärkare.
4. Sätt på enheten och förstärkaren som du har anslutit.
5. Justera volymen på förstärkaren.

FONOGRAM UT-DRIFT

1. Ändra PRE-AMP OFF (av)/ON (på)-kontakten till OFF (av)-position .
2. Sätt i ena änden av sladden (inkluderad) till PHONO OUT (fonogram utgång) uttaget på enhetens baksida. Se till att matcha färgen med uttaget.
3. Sätt i den andra änden av sladden i en PHONO IN (fonogram ingång) på ditt hems förstärkare.
4. Sätt på enheten och förstärkaren som du har anslutit.
5. Justera volymen på din förstärkare.

DRIFT AV HÖRLURAR

1. Anslut ett par hörlurar (inte inkluderade) till hörlursuttaget på enhetens främre panel.

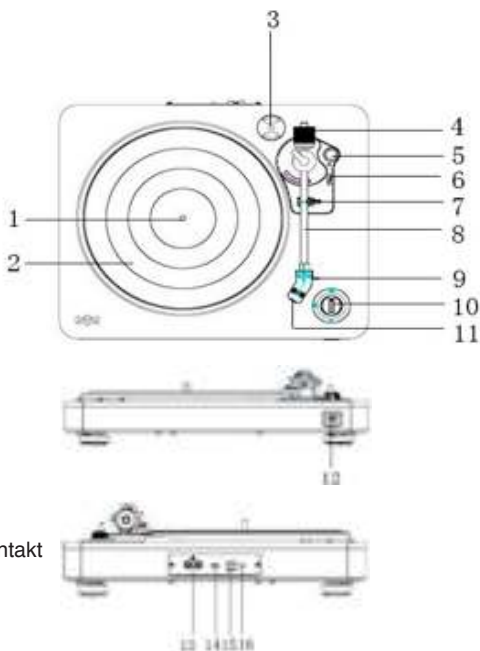
OBS! Sätt aldrig på hörlurarna innan du har anslutit dem till hörlursuttaget

USB-PC-FUNKTION, AUDACITY-PROGRAMVARA

Programvaran är kompatibel med Window XP, VISTA, 7 och 8, 10 kräver passande drivenheter och Mac. Full instruktion för Audacity-programvarans USB-PC-funktion finns på <http://www.audacityteam.org/download/>

KONTROLLERNAS PLACERING

1. Spindel
2. Skivtallrik
3. 45 Vpm-adapter
4. Balansvikt
5. Anti-glid knapp
6. Pickuparmshandtag nivå
7. Pickuparmhållare
8. Pickuparm
9. Pickupnål
10. Off (av) / 33/45-knopp
11. Nålskydd
12. Hörlursuttag
13. Uttag för rca-utgång
14. Pre-amp off (av)/on (på)-kontakt
15. Usb-uttag
16. Ac-effekt uttag



ATT LYSSNA PÅ SKIVOR

1. Anslut den externa förstärkaren.
2. Placera en skiva på skivtallriken, över mittspindeln. Placera EP-adaptern över den centrala spindeln när du spelar 45 vpm-skivor.
3. Sätt hastighetsväljaren på 33 eller 45 vpm beroende på skivan.
4. Öppna pickuparmens hållare och ta av skyddet från pickupnålen.
5. Lyft pickuparmen via pickuparmens lyfthandtag.
6. Flytta pickuparmen till början av skivan, eller starta i ett specifikt spår.
7. Sänk försiktigt ner pickuparmen på skivan med pickuparmens lyfthandtag för att börja spela.
8. När skivan har spelat klart kommer pickuparmen automatiskt att stanna. För att stanna manuellt, lyft pickuparmen från skivan och för tillbaka den till hållaren.

NOTERINGAR:

- Ta av pickupnålens skydd innan du balanserar pickuparmen.
- Håll pickuparmen när du gör justeringar eller hanterar den så att du skyddar pickuparmen.
- Försök inte att balansera vikten när en skiva spelar eftersom det kan få nålen att gå sönder eller repa skivan.
- Säkra pickuparmen innan transporterering för att skydda nålen.
- Avlägsna balansvikten innan transporterering för att förhindra att enheten skadas eller går sönder.
- Stanna eller snurra inte plattan manuellt. Flytta eller störa skivtallriken utan att säkra pickuparmens hållare kan resultera i skada på pickuparmen.

ANTI-GLID

Normalt bör anti-glidningen sättas på minimuminställningen. Anti-glid kompenserar för inåtvända nåltryck som uppstår ibland då pickupnålen närmar sig skivans mitt. Om skivtallriken upplever överdriven skippning när den närmar sig mitten på spindeln, försök öka anti-glidningen i de omgångar som indikeras på tavlan. Börja med att lägga till i omgångar om 1, testa dess prestanda, öka sedan mer om det behövs och så vidare.

OBS! Vid justering av anti-glid knoppen, rör inte pickuparmen och balansvikten för att förhindra skada på pickupnålen (nålen).

FELSÖKNINGSGUIDE

Utifall du upplever problem med enheten, se nedan och försök lösa problemet själv innan du kontaktar handlaren.

HELA ENHETEN

PROBLEM	ORSAK	LÖSNING
Effekten kommer inte på när enhetens kontakt trycks in.	Enheden är inte ansluten.	Anslut enheten till AC-effektmatningsuttaget.
Inget ljud	Den aktiverade ingången matchar inte källans ingång.	Välj om källan.
Ljudet är bullrigt.	Enheden är för nära en TV eller annan liknande enhet.	Stäng av TV:n eller annan enhet och flytta enheten.
Enheden har ingen respons eller kan inte återställas.	Externa faktorer såsom ESD (elektrostatiska urladdningar) påverkar enheten.	Ta ur elsladden och alla effektmatningsenheter, anslut sedan enheten efter en minut.

FONOGRAM-SPELARE

PROBLEM	ORSAK	LÖSNING
Ljudet är bullrigt när du spelar en skiva.	Pickupnålen är inte placerad mitt i center.	Bytut pickupnålen vilken placeras mitt i center.
Ljudet är bullrigt när enheten används under en viss tidsperiod.	Pickupnålen är skadad.	Byt ut till en ny pickupnål.

FÖRSIKTIGHETSÅTGÄRDER

VARNING! För att reducera risken för brand eller elchock, utsett inte denna enhet för regn eller fukt.

FÖRSIKTIGHET! Användning av kontroller eller justeringar av procedurer annat än vad som beskrivs häri kan resultera i farligt utsättande av strålning.

FÖRSIKTIGHET! RISK FÖR ELCHOCK - ÖPPNA INTE!

För att reducera risken för elchock, ta inte av höljet eller det bakre stycket.

Det finns inga delar som kan servas på insidan. Låt kvalificerad fackman utföra reparationer.



Ljuset som blinkar med pilsymboler med en liksidig triangel är ämnat att varna användaren att det finns icke isolerad "farlig spänning" inom produktens hölje som kan vara tillräcklig för att orsaka risk för elchock för personer.



Utropstecknet med en liksidig triangel är ämnat att varna användare att viktiga drifts- och underhålls (service) instruktioner i litteraturen som medföljer enheten.

(Se markeringar på enhetens baksida).

Denna enhet drivs med 100-240V. Om enheten inte ska användas under en längre tid, ta ur kontakten från AC-uttaget.

Se till att alla anslutningar är korrekt utförda innan enheten används.

Denna enhet får inte utsättas för regn eller fukt.

Denna enhet bör placeras så att den ventileras korrekt. Undvik placering, till exempel, nära gardiner, eller matta eller i inbyggda enheter såsom en bokhylla.

Utsätt inte denna enhet för direkt solljus eller värmeavgivande källor.

VIKTIGA SÄKERHETSFÖRESKRIFTER

1. Följ och behåll dessa instruktioner.
2. Följ alla varningar.
3. Använd inte denna enhet nära vatten.
4. Rengör endast med en torr trasa.
5. Blockera inte några ventileringsöppningar. Installera i enlighet med tillverkarens anvisningar.
6. Installera inte nära en värmekälla såsom element, spjäll, spisar eller andra enheter (inkluderat förstärkare) som producerar värme.
7. Skydda elsladden från att någon trampar på den eller att den kläms, speciellt vid kontakten, uttagen eller där den utgår från enheten.
8. Anslut endast tillsatser/tillbehör specificerade av tillverkaren.
9. Ta ur kontakten för denna enhet under åskväder eller när den inte används under en längre tidsperiod.
10. Låt endast kvalificerad fackman utföra reparationer. Reparationer krävs när enheten har skadats på något vis, såsom om elsladden eller kontakten skadas, om vätska har spillts eller om föremål har fallit in i enheten, om enheten har utsatts för regn eller fukt, inte fungerar normalt, eller om den har tappats.
11. För att reducera risken för brand eller elchock, utsett inte denna enhet för regn eller fukt.
12. FÖRSIKTIGHET! Fara för explosion om batteriet inte sätt i korrekt. Ersätt endast med samma eller likvärdig typ.

WEEE-FORKLARING



Denna markering indikerar att denna produkt inte får avyttras med annat hushållsavfall inom EU. För att förhindra möjlig skada på miljö eller person från okontrollerat avfalls avyttrande, återvinn på ansvarsfullt vis för att främja det fortsatta

ateranvändandet av materialresurser. För att returnera din använda enhet, använd retur och insamlingssystemen eller kontakta återforsäljaren där produkten köptes. De kan se till att produkten återvinns på ett miljösakert vis.

BATTERIFORESKRIFT



Denna symbol indikerar att batterier inte får avyttras bland hushållssopor eftersom de innehåller substanser som kan skada miljön och hälsan. Avyttra batterier endast vid designade samlingspunkter.

VARNING!

Batteriet (i fjärrkontrollen) får inte utsättas för överdriven värme såsom solsken, eld eller liknande.

VARNING! SvÄIJ INTE bATTERI, kEMISK bRÄNNfARA.

Denna produkt innehåller ett knappbatteri. Om knappbatteriet sväljs kan det orsaka allvarliga interna brännskador inom endast 2 timmar och kan leda till dödsfall. Förvara nya och använda batterier borta från barn. Om batteridörren inte går att stänga ordentligt, sluta använda produkten och förvara borta från barn. Om du tror att batterier kan tänkas ha svalts eller placerade inuti någon kroppsdel, sök omedelbar medicinsk hjälp.

Denna enhet kan användas av barn från 8 års ålder och över och personer med reducerad fysisk, sensorisk eller mentala kapacitet eller som saknar erfarenhet och kunskap om de instrueras eller får instruktioner angående användandet av enheten på ett säkert vis och förstå de eventuella farorna. Barn bör hållas under uppsikt för att se till att de inte leker med produkten.



ΠΙΚΑΠ STIR IT UP ΟΔΗΓΙΕΣ ΧΡΗΣΗΣ ΠΙΚΑΠ

Καλώς ορίσατε στο House of Marley

Μας τιμά το γεγονός ότι επιλέξατε το πικάπ Stir It Up για να αποτελέσει τμήμα της εμπειρίας σας με τη μουσική. Το Stir It Up διαθέτει κοινά σχεδιαστικά χαρακτηριστικά και βασικά υλικά με το ηχείο μας Get Together BT και λεπτομέρειες ρετρό σχεδίασης από τα πικάπ της εποχής του Bob Marley (1960-1980). Απλές μορφές με ποιοτικά υλικά, κατασκευή και φινιρίσμα. Αναδεικνύονται τα φυσικά υλικά.

ΠΡΙΝ ΤΗ ΧΡΗΣΗ

1. Επιλέξτε προσεκτικά το σημείο τοποθέτησης της συσκευής. Αποφύγετε να την τοποθετήσετε σε απευθείας ηλιακό φως ή κοντά σε πηγή θερμότητας. Αποφύγετε επίσης σημεία εκτεθειμένα σε κραδασμούς και υπερβολική σκόνη, κρίο ή υγρασία. Διατηρείτε μακριά από πηγές χαμηλόσυχνου θορύβου, όπως μετασχηματιστές ή κινητήρες.
2. Μην ανοίγετε το περίβλημα, αφού έτσι μπορεί να προκληθεί βλάβη στα κυκλώματα ή ηλεκτροπληξία. Αν εισχωρήσει κάποιο ξένο σώμα στο σετ, επικοινωνήστε με την εξυπηρέτηση πελατών.
3. Προσέξτε να μην πιάνετε τους δίσκους με λερωμένα δάχτυλα. Ποτέ μην παίζετε δίσκους με χαραγές στην επιφάνεια.
4. Όταν αφαιρείτε το βύσμα τροφοδοσίας από την πρίζα, τραβάτε πάντα από τη βάση του βύσματος και όχι από το καλώδιο.
5. Για να προστατέψετε τη βελόνα, μην ξεχνάτε να τοποθετείτε το λευκό προστατευτικό κάλυμμα της βελόνας μετά τη χρήση.
6. Μην προσπαθείτε να καθαρίσετε τη συσκευή με χημικούς διαλύτες, αφού έτσι μπορεί να αλλοιωθεί το φινίρισμα. Χρησιμοποιήστε ένα καθαρό, στεγνό πανί.
7. Για να διακόψετε εντελώς την τροφοδοσία ηλεκτρικού της συσκευής, αφαιρέστε το καλώδιο τροφοδοσίας από την πρίζα. Μην παραλείψετε να αφαιρέσετε τη συσκευή από την πρίζα αν δεν σκοπεύετε να τη χρησιμοποιήσετε για παρατεταμένο χρονικό διάστημα, π.χ. όταν θα λείπετε για διακοπές.
8. Φυλάξτε αυτό το εγχειρίδιο σε ασφαλές σημείο για μελλοντική αναφορά

ΣΥΝΑΡΜΟΛΟΓΗΣΗ

1. Αφαιρέστε όλα τα εξαρτήματα από τη συσκευασία και τοποθετήστε το προϊόν επάνω σε μια σταθερή επιφάνεια.
2. Περάστε τον ιμάντα γύρω από το κάτω μέρος του μεταλλικού πλάτ. Προσέξτε ο ιμάντας να μην τοποθετηθεί συστραμμένος. Χρησιμοποιήστε τον αντίχειρά σας για να τεντώσετε τον ιμάντα, όπως απεικονίζεται παρακάτω.
3. Αναποδογυρίστε το πλάτ, προσέχοντας να συνεχίσετε να κρατάτε τον ιμάντα. Στη συνέχεια, φέρτε το πλάτ σε τέτοιο σημείο ώστε η κεντρική οπή του να ταιριάζει με τον άξονα και, στη συνέχεια, τοποθετήστε το πλάτ μέσα στη συσκευή.
4. Περάστε τον ιμάντα, τον οποίο συγκρατείτε με τον αντίχειρά σας, έτσι ώστε να κυκλώνει την κεντρική (λευκή) στήλη περιστροφής στον τριγωνικό



σηματισμό στηλών-γρاناζιών.

5. Τοποθετήστε τον αντιολισθητικό δίσκο επάνω στο πλατό. Η βασική συναρμολόγηση έχει πλέον γίνει.

ΣΗΜΕΙΩΣΗ: Για να αποσυναρμολογήσετε το πλατό, πιάστε απευθείας το πλατό και τραβήξτε το προς τα πάνω

6. Αφαιρέστε το αντίβαρο και τοποθετήστε το στο κατάλληλο σημείο στον βραχίονα (ανατρέξτε στην εικόνα).
7. Αφαιρέστε τον προσαρμογέα 45 στροφών και τοποθετήστε τον στο σημείο φύλαξης, στην επάνω δεξιά γωνία του πικάπ.

ΕΝΕΡΓΟΠΟΙΗΣΗ ΤΟΥ ΠΙΚΑΠ STIR IT UP

Το πικάπ Stir it Up χρησιμοποιεί ένα τροφοδοτικό AC, το οποίο τροφοδοτείται από μια τυπική επιτοίχια πρίζα.

1. Συνδέστε το τροφοδοτικό AC στο Stir It Up.
2. Συνδέστε το βύσμα τροφοδοσίας σε μια κατάλληλη επιτοίχια πρίζα

ΕΥΚΟΛΙΑ ΣΤΗ ΧΡΗΣΗ

1. Συνδέστε το τροφοδοτικό AC στην πρίζα.
2. Περιστρέψτε τον επιλογέα OFF / 33/45 για να ενεργοποιήσετε τη συσκευή και επιλέξτε την ταχύτητα, ανάλογα με τον δίσκο που θέλετε να ακούσετε.
3. Τοποθετήστε έναν δίσκο στο πλατό. Μην παραλείψετε να χρησιμοποιήσετε τον προσαρμογέα 45 στροφών που βρίσκεται στην επάνω δεξιά γωνία, όταν ακούτε έναν δίσκο 45 στροφών.
4. Ανασηκώστε τον βραχίονα και μετακινήστε τον επάνω από το πλατό. Τοποθετήστε τον βραχίονα στις εξωτερικές στροφές του δίσκου, για να αρχίσει να παίζει ο δίσκος.
5. Συναρμολογήστε το αντίβαρο και ρυθμίστε το σε μια κατάλληλη θέση.

ΣΗΜΕΙΩΣΗ: Το αντίβαρο ρυθμίζει την πίεση που ασκείται στη βελόνα. Αν η πίεση είναι υπερβολική, ο ήχος παραμορφώνεται. Αν η πίεση είναι πολύ μικρή, μπορεί να κολλήσει εύκολα η βελόνα. Ρυθμίστε το αντίβαρο στρέφοντάς το αριστερόστροφα ή δεξιόστροφα.

6. Για να διακόψετε προσωρινά την αναπαραγωγή, θα πρέπει να ανασηκώσετε τον βραχίονα και να τον επαναφέρετε με το χέρι στη βάση του.
7. Όταν τελειώσει ο δίσκος, ο βραχίονας και η περιστροφή του δίσκου σταματούν. Ανασηκώστε τον βραχίονα και επαναφέρετέ τον με το χέρι στη βάση του.

ΣΥΝΔΕΣΕΙΣ

ΠΡΟΣΟΧΗ: Διακόψτε την τροφοδοσία όλου του εξοπλισμού πριν κάνετε συνδέσεις. Διαβάστε τις οδηγίες κάθε άλλης συσκευής που σκοπεύετε να χρησιμοποιήσετε σε συνδυασμό με αυτή τη συσκευή. Φροντίστε να συνδέσετε κάθε βύσμα σταθερά. Για να αποφύγετε την πρόκληση

χαμηλόσυχνου βόμβου και θορύβου, αποφύγετε να περάσετε από την ίδια διαδρομή τα καλώδια διασύνδεσης με το καλώδιο τροφοδοσίας AC.

ΛΕΙΤΟΥΡΓΙΑ ΕΞΟΔΟΥ ΗΧΟΥ

1. Θέστε τον διακόπτη PRE-AMP OFF/ON στη θέση ON.
2. Συνδέστε το ένα άκρο του καλωδίου RCA (περιλαμβάνεται) στην υποδοχή LINE OUT στην πίσω όψη της συσκευής. Προσέξτε να τοποθετήσετε το κάθε βύσμα στην υποδοχή με το αντίστοιχο χρώμα.
3. Συνδέστε το άλλο άκρο του καλωδίου στην υποδοχή LINE IN του οικιακού ενισχυτή σας.
4. Ενεργοποιήστε τη συσκευή και τον συνδεδεμένο ενισχυτή.
5. Ρυθμίστε την ένταση του ήχου στον ενισχυτή.

ΛΕΙΤΟΥΡΓΙΑ PHONO

1. Θέστε τον διακόπτη PRE-AMP OFF/ON στη θέση OFF.
2. Συνδέστε το ένα άκρο του καλωδίου (περιλαμβάνεται) στην υποδοχή PHONO OUT στην πίσω όψη της συσκευής. Προσέξτε να τοποθετήσετε το κάθε βύσμα στην υποδοχή με το αντίστοιχο χρώμα.
3. Συνδέστε το άλλο άκρο του καλωδίου στην υποδοχή PHONO του οικιακού ενισχυτή σας.
4. Ενεργοποιήστε τη συσκευή και τον συνδεδεμένο ενισχυτή.
5. Ρυθμίστε την ένταση του ήχου στον ενισχυτή σας.

ΛΕΙΤΟΥΡΓΙΑ ΜΕ ΑΚΟΥΣΤΙΚΑ

1. Συνδέστε ένα σετ ακουστικών (δεν περιλαμβάνονται) στην υποδοχή ακουστικών στην πρόσοψη της συσκευής.

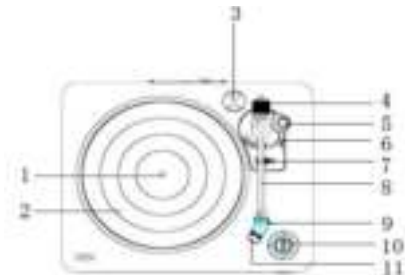
ΣΗΜΕΙΩΣΗ: Ποτέ μην φοράτε τα ακουστικά στα αυτιά σας αν πρώτα δεν έχετε συνδέσει το βύσμα των ακουστικών

ΛΕΙΤΟΥΡΓΙΑ USB-PC. ΛΟΓΙΣΜΙΚΟ AUDACITY

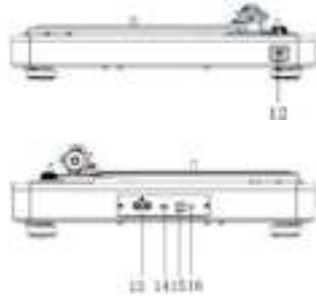
Μπορείτε να βρείτε πλήρεις οδηγίες για τη λειτουργία USB-PC του λογισμικού Audacity στη διεύθυνση <http://www.audacityteam.org/download/>

ΘΕΣΗ ΧΕΙΡΙΣΤΗΡΙΩΝ

1. Αξονας
2. Πλατο
3. Προσαρμογας 45 στροφων
4. Αντιβαρο
5. Επιλογεας εξισορροπησης



6. Μοχλός ανύψωσης βραχίονα
7. Βάση βραχίονα
8. Βραχίονας
9. Βελόνα
10. Επιλογή off / 33/45
11. Καλυμμα βελόνας
12. Υποδοχή ακουστικών
13. Υποδοχές εξόδου rca
14. Διακοπής pre-amp off/on
15. Υποδοχή usb
16. Υποδοχή τροφοδοσίας ac



ΑΚΡΟΑΣΗ ΔΙΣΚΩΝ

1. Συνδέστε τον εξωτερικό ενισχυτή.
2. Βάλτε έναν δίσκο στο πλάτο, πάνω από τον κεντρικό άξονα. Περάστε τον προσαρμογέα EP πάνω από τον κεντρικό άξονα όταν παίζετε δίσκους των 45 στροφών.
3. Ρυθμίστε τον επιλογή ταχύτητας στις 33 ή τις 45 στροφές, ανάλογα με τον δίσκο.
4. Απασφαλίστε τον σφιγκτήρα του βραχίονα και αφαιρέστε το κάλυμμα από τη βελόνα.
5. Ανασηκώστε τον βραχίονα με τον μοχλό ανύψωσης του βραχίονα.
6. Μετακινήστε τον βραχίονα στην αρχή του δίσκου ή στην αρχή ενός συγκεκριμένου κομματιού.
7. Χαμηλώστε αργά τον βραχίονα επάνω στον δίσκο με τον μοχλό ανύψωσης βραχίονα, για να αρχίσει η αναπαραγωγή.
8. Όταν ο δίσκος τελειώσει, ο βραχίονας σταματά αυτόματα. Για να τον σταματήσετε μη αυτόματα, ανασηκώστε τον βραχίονα από τον δίσκο και επαναφέρετέ τον στη βάση του.

ΣΗΜΕΙΩΣΕΙΣ:

- Αφαιρέστε το κάλυμμα από τη βελόνα πριν μετακινήσετε το αντίβαρο στον βραχίονα.
- Κρατάτε τον βραχίονα κάθε φορά που κάνετε μια ρύθμιση ή ενέργεια, για να τον προστατέψετε.
- Μην προσπαθείτε να μετακινήσετε το αντίβαρο ενώ παίζει ένας δίσκος, αφού έτσι μπορεί να σπάσει η βελόνα και να χαραχτεί ο δίσκος.
- Ασφαλίστε ξανά τον βραχίονα πριν τη μεταφορά, για να προστατέψετε τη βελόνα.
- Αφαιρέστε το αντίβαρο πριν τη μεταφορά, ώστε να μην πάθει βλάβη και να

μην σπάζει η συσκευή.

- Μην σταματάτε και μην στρέψετε τον δίσκο με το χέρι. Αν μετακινήσετε ή χτυπήσετε το πικάπ χωρίς να έχει ασφαλιστεί ο σφιγκτήρας του βραχίονα μπορεί να προκληθεί βλάβη στον βραχίονα.

ΕΞΙΣΟΡΡΟΠΗΣΗ

Κανονικά η εξισορρόπηση πρέπει να είναι ρυθμισμένη στην ελάχιστη δυνατή ρύθμιση. Η ρύθμιση εξισορρόπησης αντισταθμίζει τις δυνάμεις που ασκούνται προς τα μέσα σε συγκεκριμένες περιστάσεις όταν η βελόνα πλησιάζει στο κέντρο του δίσκου. Αν στο πικάπ κολλά υπερβολικά η βελόνα όταν πλησιάζει στον κεντρικό άξονα, δοκιμάστε να αυξήσετε τη ρύθμιση εξισορρόπησης που φαίνεται στον επιλογέα. Ξεκινήστε αυξάνοντας τη ρύθμιση κατά 1, δοκιμάστε την αποτελεσματικότητά της, αν χρειάζεται αυξήστε την κι άλλο κ.ο.κ.

ΣΗΜΕΙΩΣΗ: Κατά τη διάρκεια της ρύθμισης του επιλογέα εξισορρόπησης, μην πειράζετε τον βραχίονα και το αντίβαρο, ώστε να μην προκαλέσετε ζημιά στη βελόνα.

ΟΔΗΓΟΣ ΑΝΤΙΜΕΤΩΠΙΣΗΣ ΠΡΟΒΛΗΜΑΤΩΝ

Σε περίπτωση προβλημάτων με τη συσκευή, ελέγξτε τα παρακάτω και δείτε αν μπορείτε να λύσετε το πρόβλημα μόνοι σας, πριν καλέσετε το κατάστημα πώλησης.

ΟΛΟΚΛΗΡΗ Η ΣΥΣΚΕΥΗ

ΠΡΟΒΛΗΜΑ	ΑΙΤΙΑ	ΛΥΣΗ
Η συσκευή δεν ενεργοποιείται όταν πατιέται ο διακόπτης τροφοδοσίας.	Η συσκευή δεν είναι συνδεδεμένη στην πρίζα.	Συνδέστε τη συσκευή στο τροφοδοτικό AC.
Δεν ακούγεται ήχος	Η επιλεγμένη είσοδος δεν είναι ίδια με την είσοδο πηγής.	Επαναλάβετε την επιλογή πηγής.
Ο ήχος έχει θόρυβο.	Η συσκευή βρίσκεται πολύ κοντά σε μια τηλεόραση ή άλλη παρόμοια συσκευή.	Σβήστε την τηλεόραση ή την άλλη συσκευή και αλλάξτε θέση στη συσκευή.
Η συσκευή δεν ανταποκρίνεται ή δεν είναι δυνατή η επαναφορά της.	Η συσκευή επηρεάζεται από εξωτερικούς παράγοντες όπως ESD (ηλεκτροστατική εκφόρτιση).	Αφαιρέστε το καλώδιο τροφοδοσίας και όλες τις συσκευές τροφοδοτικού και, στη συνέχεια, επανασυνδέστε τα στη συσκευή μετά από ένα λεπτό.

ΑΝΑΠΑΡΑΓΩΓΗ ΡΗΘΟΝΟ

ΠΡΟΒΛΗΜΑ	ΑΙΤΙΑ	ΛΥΣΗ
Ο ήχος έχει θόρυβο όταν παίζει ο δίσκος.	Η βελόνα δεν είναι τοποθετημένη ακριβώς στο κέντρο.	Επανατοποθετήστε τη βελόνα, τοποθετώντας την ακριβώς στο κέντρο.
Ο ήχος έχει θόρυβο όταν η συσκευή έχει χρησιμοποιηθεί για μεγάλο χρονικό διάστημα.	Η βελόνα έχει φθαρεί.	Αντικαταστήστε με νέα βελόνα.

ΠΡΟΦΥΛΑΞΕΙΣ ΑΣΦΑΛΕΙΑΣ

ΠΡΟΕΙΔΟΠΟΙΗΣΗ: Για να περιοριστεί ο κίνδυνος πυρκαγιάς ή ηλεκτροπληξίας, μην εκθέτετε τη συσκευή σε βροχή ή υγρασία.

ΠΡΟΣΟΧΗ: Η χρήση χειριστηρίων ή ρυθμίσεων ή η εκτέλεση διαδικασιών διαφορετικών από αυτές που καθορίζονται μπορεί να οδηγήσει σε επικίνδυνη έκθεση σε ακτινοβολία.

ΠΡΟΣΟΧΗ

ΚΙΝΔΥΝΟΣ ΗΛΕΚΤΡΟΠΛΗΞΙΑΣ - ΜΗΝ ΑΝΟΙΓΕΤΕ!

Για να περιοριστεί ο κίνδυνος ηλεκτροπληξίας, μην αφαιρείτε το κάλυμμα ή την πίσω όψη.

Στο εσωτερικό δεν υπάρχουν εξαρτήματα που επιδέχονται επισκευή από τον χρήστη. Αναθέστε όλες τις εργασίες σέρβις σε κατάλληλα κατάλληλα καταρτισμένους τεχνικούς.



Το σύμβολο αστραπής με αιχμή βέλους μέσα σε ισόπλευρο τρίγωνο προειδοποιεί το χρήστη για την παρουσία "επικίνδυνης τάσης", δίχως μόνωση στο εσωτερικό του προϊόντος, που ενδέχεται να είναι τέτοια ώστε να δημιουργείται κίνδυνος ηλεκτροπληξίας.



Το θαυμαστικό μέσα σε ισόπλευρο τρίγωνο έχει σκοπό να προειδοποιήσει το χρήστη για την παρουσία σημαντικών οδηγιών λειτουργίας και συντήρησης (επισκευών) στα έντυπα που συνοδεύουν τη συσκευή.

(Δείτε τις σημάνσεις στην πίσω όψη της συσκευής.)

Αυτή η συσκευή λειτουργεί με τάση 100-240V. Αν η συσκευή δεν πρόκειται να χρησιμοποιηθεί για μεγάλο χρονικό διάστημα, αφαιρέστε το βύσμα τροφοδοσίας από την πρίζα.

Βεβαιωθείτε ότι όλες οι συνδέσεις είναι σταθερές πριν χειριστείτε τη συσκευή.

Αυτή η συσκευή δεν πρέπει να εκτίθεται σε υγρασία ή βροχή.

Αυτή η συσκευή πρέπει να τοποθετείται σε καλά αεριζόμενο σημείο. Αποφεύγετε να την τοποθετείτε, για παράδειγμα, κοντά σε κουρτίνες, επάνω

στο χαλί ή σε κλειστή κατασκευή, όπως σε μια βιβλιοθήκη.

Μην εκθέτετε τη συσκευή σε απευθείας ηλιακό φως του ήλιου ή σε πηγές που ακτινοβολούν θερμότητα.

ΣΗΜΑΝΤΙΚΕΣ ΟΔΗΓΙΕΣ ΑΣΦΑΛΕΙΑΣ

1. Ακολουθήστε και τηρήστε αυτές τις οδηγίες.
2. Σεβαστείτε όλες τις προειδοποιήσεις.
3. Μην χρησιμοποιείτε τη συσκευή κοντά σε νερό.
4. Καθαρίζετε μόνο με ένα στεγνό πανί.
5. Μην μπλοκάρτε κανένα άνοιγμα αερισμού. Τοποθετείτε σύμφωνα με τις οδηγίες του κατασκευαστή.
6. Μην τοποθετείτε κοντά σε πηγές θερμότητας όπως σώματα καλοριφέρ, αεραγωγοί θερμότητας, φούρνοι ή άλλες συσκευές (συμπεριλαμβανομένων ενισχυτών) που παράγουν θερμότητα.
7. Προστατέψτε το καλώδιο τροφοδοσίας ώστε να μην το πατήσει κανείς και να μην τσακίσει, ειδικά κοντά στο βύσμα, στις υποδοχές σύνδεσης και στο σημείο εξόδου από τη συσκευή.
8. Χρησιμοποιείτε μόνο προσαρτήματα/εξαρτήματα που συνιστώνται από τον κατασκευαστή.
9. Αποσυνδέετε τη συσκευή από την πρίζα κατά τη διάρκεια θύελλας με κεραυνούς ή όταν δεν πρόκειται να χρησιμοποιηθεί για μεγάλο χρονικό διάστημα.
10. Αναθέστε όλες τις εργασίες σέρβις σε κατάλληλα καταρτισμένους τεχνικούς. Απαιτείται σέρβις αν η συσκευή έχει πάθει οποιαδήποτε ζημιά, όπως φθορά στο καλώδιο τροφοδοσίας ή στο βύσμα, αν έχουν χυθεί υγρά ή έχουν πέσει αντικείμενα επάνω στη συσκευή, αν η συσκευή έχει εκτεθεί σε βροχή ή υγρασία, αν δεν λειτουργεί σωστά ή αν έχει πέσει.
11. Για να περιοριστεί ο κίνδυνος πυρκαγιάς ή ηλεκτροπληξίας, μην εκθέτετε τη συσκευή σε βροχή ή υγρασία.
12. ΠΡΟΣΟΧΗ: Κίνδυνος έκρηξης σε περίπτωση λάθος αντικατάστασης των μπαταριών. Αντικαθιστάτε μόνο με μπαταρίες ίδιου ή ισοδύναμου τύπου.

ΕΠΕΞΗΓΗΣΗ ΑΗΗΕ



Αυτή η σήμανση επισημαίνει ότι αυτό το προϊόν δεν πρέπει να απορρίπτεται με άλλα οικιακά απόβλητα σε όλη την ΕΕ. Για να μην προκληθεί ζημιά στο περιβάλλον ή στην υγεία λόγω μη ελεγχόμενης απόρριψης αποβλήτων, ανακυκλώστε το υπεύθυνα, παράγοντας τη βιώσιμη επαναχρησιμοποίηση των υλικών πόρων.

Για να επιστρέψετε τη χρησιμοποιημένη συσκευή, χρησιμοποιήστε τα συστήματα επιστροφής και συλλογής ή επικοινωνήστε με το κατάστημα από το οποίο αγοράσατε το προϊόν. Οι υπεύθυνοι μπορούν να παραλάβουν αυτό το προϊόν για ασφαλή για το περιβάλλον ανακύκλωσή του.

ΟΔΗΓΙΑ ΓΙΑ ΤΙΣ ΜΠΑΤΑΡΙΕΣ



Το σύμβολο αυτό υποδεικνύει ότι οι μπαταρίες δεν πρέπει να απορρίπτονται μαζί με οικιακά απορρίμματα, καθώς περιέχουν ουσίες που μπορεί να είναι επιβλαβείς για το περιβάλλον και την υγεία. Απορρίψτε τις μπαταρίες στα καθορισμένα σημεία συλλογής.

ΠΡΟΕΙΔΟΠΟΙΗΣΗ

Η μπαταρία (στο τηλεχειριστήριο) δεν πρέπει να εκτίθεται σε υπερβολική θερμότητα, όπως οι ακτίνες του ήλιου, η φωτιά ή παρόμοιες συνθήκες.

ΠΡΟΕΙΔΟΠΟΙΗΣΗ ΜΗΝ ΚΑΤΑΠΙΝΕΤΕ ΤΗ ΜΠΑΤΑΡΙΑ, ΚΙΝΔΥΝΟΣ ΧΗΜΙΚΟΥ ΕΓΚΑΥΜΑΤΟΣ.

Αυτό το προϊόν περιέχει μια μπαταρία στοιχείου με τη μορφή κέρματος/κουμπού. Αν η μπαταρία τύπου κέρματος/

κουμπού καταποθεί, μπορεί να προκαλέσει σοβαρά εσωτερικά εγκαύματα σε 2 μόλις ώρες και να οδηγήσει σε θάνατο. Διατηρείτε τις νέες και τις χρησιμοποιημένες μπαταρίες μακριά από παιδιά. Αν η μπαταριοθήκη δεν κλείνει καλά, σταματήστε τη χρήση του

προϊόντος και φυλάξτε το μακριά από μικρά παιδιά. Αν πιστεύετε ότι υπάρχει ενδεχόμενο οι μπαταρίες να έχουν καταποθεί ή να έχουν τοποθετηθεί μέσα σε οποιοδήποτε μέρος του σώματος, ζητήστε επείγοντως ιατρική φροντίδα.

Αυτή η συσκευή μπορεί να χρησιμοποιείται από παιδιά ηλικίας 8 ετών και άνω και από άτομα με περιορισμένες σωματικές, αισθητηριακές ή διανοητικές ικανότητες ή με έλλειψη εμπειρίας και γνώσεων, εφόσον τους παρασχεθεί επίβλεψη ή οδηγίες σχετικά με την ασφαλή χρήση της συσκευής και κατανοήσουν τους σχετικούς κινδύνους. Τα μικρά παιδιά δεν πρέπει να παίζουν με τη συσκευή. Ο καθαρισμός και οι εργασίες συντήρησης δεν πρέπει να γίνονται από παιδιά χωρίς επίβλεψη.



M A R L E Y

GIRA-DISCOS STIR IT UP INSTRUÇÕES DO LEITOR DE DISCOS

BEM-VINDO À HOUSE OF MARLEY

Muito nos honra por ter escolhido o gira-discos para integrar a sua experiência musical. O design e o material do Stir it Up e o nosso altifalante Get Together BT e detalhes de desenho retro de gira-discos a partir da era Bob Marley (1960 - 1980) Formas simples com materiais, integração e acabamentos ricos. Deixamos os materiais naturais brilhar.

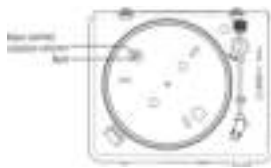
ANTES DE UTILIZAR

1. Escolha cuidadosamente a localização da instalação da unidade. Evite colocá-la à luz solar direta ou próxima de uma fonte de calor. Também, evite localizações sujeitas a vibrações e poeira excessiva, frio ou humidade. Mantenha afastada de fontes com emissão de ruído elétrico como transformadores ou motores.
2. Não abra o compartimento pois isto poderá resultar em danos no circuito ou em choque elétrico. Se um objeto estranho entrar no conjunto, contacte o Apoio ao Cliente.
3. Tenha cuidado para não manusear o disco com dedos sujos. Nunca reproduza um disco que tenha uma quebra na superfície.
4. Quando remover a ficha da tomada de parede, puxe diretamente na ficha e nunca pelo cabo.
5. Para proteger a agulha, nunca se esqueça de colocar a proteção de agulha branca após a utilização.
6. Não tente limpar a unidade com solventes químicos pois isto poderá danificar o acabamento. Utilize um pano limpo e seco.
7. A fim de desligar a alimentação deste produto completamente, desligue o cabo de alimentação da tomada de parede. Certifique-se de que retira a tomada da unidade se não a pretende utilizar por um período longo de tempo, como em férias.
8. Guarde este manual num local seguro para referência futura.

MONTAGEM

1. Retire todos os componentes da embalagem e coloque o produto numa superfície estável.
2. Coloque à volta da correia na parte inferior do prato de metal. Certifique-se de que a correia não está instalada torcida. Utilize o seu polegar para esticar a correia conforme ilustrado abaixo.
3. Vire o prato e não se esqueça de continuar a segurar a correia. Encaixe no pino e insira o prato na unidade.
4. Rodeie a correia que estará segura com o seu polegar na coluna de rotação principal (branca) das colunas de engrenagem de estrutura triangular.
5. Coloque o gira-discos no tapete do prato. Então, o conjunto principal estará montado.

NOTA: Para desmontar o gira-discos, agarre diretamente o gira-discos e puxe-o para cima.



6. Retire o contrapeso e coloque-o na sua localização adequada no braço pivotante (consulte a ilustração).
7. Retire o adaptador de 45rpm e coloque-o no seu novo local localizado no canto superior direito

LIGAR O GIRA-DISCOS STIR IT UP

O seu gira-discos Turn It Up utiliza uma fonte de alimentação CA e é alimentado através de uma tomada de parede normal.

1. Insira o cabo de alimentação CA no Stir It Up.
2. Insira a ficha numa tomada de parede compatível.

FÁCIL DE UTILIZAR

1. Retire a alimentação CA da tomada de parede.
2. Rode o botão OFF / 33/45 para ligar a unidade e selecionar a velocidade de acordo com o disco que está a reproduzir.
3. Coloque um disco no gira-discos. Lembre-se de utilizar o adaptador de 45 RPM localizado no canto superior direito quando reproduzir um disco de 45 RPM.
4. Levante e desloque o braço pivotante para o gira-discos. Coloque o braço pivotante na extremidade do disco e este começa a reproduzir.
5. Monte o peso de balanço e defina-o para uma posição adequada.

NOTA: O peso de balanço serve para ajustar a pressão da agulha. Se a pressão for excessiva, o som ficará distorcido; se a pressão for pouca, facilmente saltará faixas. Ajuste o peso de balanço rodando-o no sentido horário ou antihorário.

6. Para fazer uma pausa ou parar a reprodução, necessita de levantar e voltar a colocar o braço pivotante no seu descanso manualmente.
7. Quando se atingir o fim do disco, o braço pivotante e a rotação param. Levante o braço pivotante e coloque-o no descanso manualmente.

LIGAÇÕES

CUIDADO: Desligue a alimentação de todo o equipamento antes de fazer ligações. Leia as instruções de cada componente que pretende utilizar com esta unidade. Certifique-se de que insere cada tomada de forma segura. Para evitar o ruído e o ruído elétrico, evite juntar os cabos de interligação de sinal com o cabo de alimentação CA.

Operação de Saída de Linha

1. Coloque o INTERRUPTOR PRE-AMP OFF/ON na posição ON.
2. Ligue uma extremidade do cabo RCA (incluído) com a tomada LINE OUT nas traseiras da unidade. Certifique-se de que faz corresponder a cor com a tomada.
3. Ligue a outra extremidade do cabo com a tomada LINE IN do seu dispositivo amplificador doméstico.

4. Ligue a unidade ao dispositivo amplificador que ligou.
5. Ajuste o volume no dispositivo amplificador.

FUNCIONAMENTO DO PHONO OUT

1. Coloque o INTERRUPTOR PRE-AMP OFF/ON na posição OFF.
2. Ligue uma extremidade do cabo (incluído) com a tomada PHONO OUT nas traseiras da unidade. Certifique-se de que faz corresponder a cor com a tomada.
3. Ligue a outra extremidade do cabo com a tomada PHONO IN do seu dispositivo amplificador doméstico.
4. Ligue a unidade ao dispositivo amplificador que ligou.
5. Ajuste o volume no seu dispositivo amplificador.

FUNCIONAMENTO DO AURICULAR

1. Ligue um conjunto do auricular (não incluído) na tomada do auricular no painel frontal da unidade.

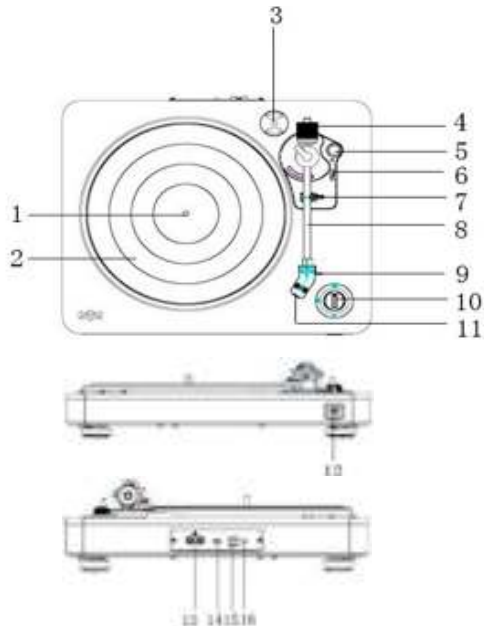
NOTA: Nunca coloque um auricular até ter ligado na tomada auricular.

FUNÇÃO USB-PC, SOFTWARE AUDACITY

Podem encontrar-se instruções completas para a função USB-PC do Software Audacity em <http://www.audacityteam.org/download/>

LOCALIZAÇÃO DOS COMANDOS

1. Pino
2. Gira-discos
3. Adaptador de 45 rpm
4. Peso de balanço
5. Botão antideslizamento
6. Nível de elevação do braço pivotante
7. Suporte de descanso do braço pivotante
8. Braço pivotante
9. Agulha
10. Botão off / 33/45
11. Proteção da agulha
12. Tomada do auricular
13. Tomadas de saída rca
14. Interruptor pre-amp off/on
15. Tomada usb



16. Tomada de alimentação cc

OUVIR DISCOS

1. Ligue o dispositivo amplificador externo
2. Coloque um disco no gira-discos, sobre o pino central. Coloque o adaptador EP no pino central quando reproduzir discos de 45 rpm.
3. Defina o Seletor de Velocidade para 33 ou 45 rpm de acordo com o disco.
4. Liberte o grampo do braço pivotante e retire a cobertura da agulha.
5. Levante o braço pivotante com a Alavanca de Elevação do mesmo.
6. Desloque o braço pivotante para o início do disco ou para o início de uma pista em particular.
7. Gentilmente, baixe o braço pivotante no disco com a alavanca de elevação do braço pivotante para iniciar a reprodução.
8. Quando o disco terminar, o braço pivotante para automaticamente. Para parar manualmente, levante o braço pivotante do disco e volte a colocá-lo no descanso.

NOTAS:

- Retire a proteção da agulha antes de balancear o braço pivotante.
- Segure o braço pivotante sempre que fizer um ajuste ou ação de forma a proteger o braço pivotante.
- Não tente ajustar o peso do balanço enquanto reproduz um disco pois isto poderia quebrar a agulha e arranhar o disco.
- Volte a segurar o braço pivotante antes de transportar para proteger a agulha.
- Retire o peso de balanço antes do transporte para evitar danos ou quebras na unidade.
- Não pare nem rode o prato manualmente. Mover ou arrastar o gira-discos sem fixar o grampo do braço pivotante pode resultar em danos no mesmo.

ANTIDERRAPAGEM

Normalmente, a antiderrapagem deve colocar-se na sua definição mínima. A antiderrapagem compensa as forças de tração para dentro que ocorrem com alguma recolha quando a agulha se aproxima do centro do disco. Se o gira-discos estiver a experimentar saltos em faixas enquanto se aproxima do centro do pino, tente aumentar a antiderrapagem nos incrementos indicados no ponteiro. Comece por adicionar um incremento de 1, teste o seu desempenho, depois aumente mais e por aí em diante.

NOTA: Durante o ajuste do botão antiderrapagem, não toque no braço pivotante ou no peso de balanço para evitar danos na agulha.

GUIA DE RESOLUÇÃO DE PROBLEMAS

Em caso de problemas com a unidade, olhe abaixo e veja se consegue resolver o problema você mesmo antes de chamar o seu revendedor.

A UNIDADE COMPLETA

PROBLEMA	CAUSA	SOLUÇÃO
A alimentação não liga quando o botão de alimentação é pressionado.	A unidade não está ligada à tomada.	Ligue a coluna ao adaptador de alimentação
Não dá som	A entrada de funcionamento não corresponde com a entrada da fonte.	Volte a seleccionar uma fonte.
O som é ruidoso.	A unidade está demasiado próxima de uma televisão ou outro aparelho similar.	Desligue a televisão ou outro aparelho e coloque a unidade noutra localização.
A unidade não responde ou não restabelece.	Fatores externos como DEE (descarga electrostática) afetam a unidade.	Retire o cabo de alimentação e todos os dispositivos de alimentação, volte a ligar a unidade à tomada após um minuto.

LEITOR PHONO

PROBLEMA	CAUSA	SOLUÇÃO
O som é ruidoso antes de reproduzir o disco.	A agulha não está colocada no centro.	Substitua a agulha que está colocada no centro.
O som está ruidoso quando utilizado por um longo período de tempo.	A agulha está danificada.	Substitua a agulha.

PRECAUÇÕES DE SEGURANÇA

ADVERTÊNCIA: Para reduzir o risco de incêndio e choque eléctrico, não exponha o aparelho à chuva ou à humidade.

ATENÇÃO: Utilizar os comandos ou ajustes ou desempenho de procedimento que não os especificados aqui pode resultar em exposição de radiação perigosas.

ATENÇÃO - RISCO DE CHOQUE ELÉTRICO - NÃO ABRIR.

Para reduzir o risco de choque eléctrico, não retire a tampa ou a parte traseira.

Nenhuma das peças pode ser reparada pelo utilizador. Todas as operações de manutenção devem ser efectuadas por pessoal técnico qualificado.



A luz pisca com o símbolo de seta, dentro de um triângulo equilátero, destina-se a alertar o utilizador para a presença de "tensão perigosa" não-isolada dentro do compartimento do produto que possa ser de magnitude suficiente para constituir um risco de choque eléctrico a pessoas.



O ponto de exclamação dentro de um triângulo equilátero destina-se a alertar o utilizador para a presença de instruções importantes de serviço e manutenção na literatura que acompanha o aparelho.

(Veja as marcações nas traseiras da unidade.)

Esta unidade opera 100-240V. Se não for usar a unidade durante muito tempo, retire as pilhas para evitar que se danifiquem devido à corrente CA.

Assegure-se de que todas as ligações estão corretas antes de operar a unidade.

Esta unidade não deve estar exposta a humidade ou chuva.

Esta unidade deve estar posicionada de forma a estar devidamente ventilada. Evite colocá-la, por exemplo, próximo de cortinas, no tapete ou numa instalação coberta como uma estante.

Não exponha esta unidade a luz solar direta ou a fontes de radiação de calor.

INSTRUÇÕES DE SEGURANÇA IMPORTANTES

1. Siga e guarde estas instruções.
2. Preste atenção a todos os avisos.
3. Não utilize este aparelho perto de água.
4. Limpe apenas com um pano seco.
5. Não bloqueie quaisquer aberturas de ventilação. Instale de acordo com as instruções do fabricante.
6. Não instale perto de quaisquer fontes de calor tais como radiadores, registos de calor, fornos ou outros aparelhos (incluindo amplificadores) que produzam calor.
7. Proteja o cabo de alimentação de modo a que não seja pisado ou trilhado, principalmente na ficha, entradas, e no ponto onde saem do aparelho.
8. Utilize apenas acessórios indicados pelo fabricante.
9. Desligue o aparelho da tomada durante tempestades eléctricas ou quando não utilizar durante longos períodos.
10. Todas as operações de manutenção devem ser efectuadas por pessoal técnico qualificado. É necessário prestar assistência quando o aparelho sofrer qualquer tipo de danos, por exemplo, no cabo de alimentação ou na ficha, quando for derramado líquido ou caírem objectos em cima do aparelho, quando este estiver exposto a chuva ou humidade, quando não funcionar normalmente ou cair.
11. Para reduzir o risco de incêndio e choque eléctrico, não exponha o aparelho à chuva ou à humidade.
12. **ATENÇÃO:** Perigo de explosão caso a pilha seja reinstalada de forma incorrecta. Substituir com o mesmo tipo de pilha ou equivalente.

EXPLICA CAO DA REEE



Esta marcação indica que o produto não deve ser eliminado juntamente com outros resíduos domésticos em toda a UE. Para impedir possíveis danos ambientais ou a saúde humana resultantes de uma eliminação não controlada dos resíduos, este produto deverá ser reciclado de forma responsável de modo a promover a reutilização sustentável dos recursos materiais. Para fazer a devolução do seu dispositivo usado,

queira por favor utilizar os sistemas de devolução e recolha ou contactar a loja

onde adquiriu o produto. A loja poderá entregar este produto para que seja reciclado de forma segura em termos ambientais.

INSTRUÇÕES RELATIVAMENTE AS PILHAS



Este símbolo indica que as pilhas não podem ser eliminadas juntamente com o lixo doméstico, dado que contêm substâncias que podem ser prejudiciais para o meio ambiente e a saúde. As pilhas devem ser eliminadas nos pontos de recolha designados.

ADVERTÊNCIA

As pilhas (no comando) não devem ser sujeitas a calor excessivo, designadamente através de exposição ao sol, fogo ou outras fontes de calor semelhantes.

ADVERTÊNCIA NÃO INGERIR A PILHA; PERIGO DE QUEIMADURA QUÍMICA

Este produto inclui uma pilha do tamanho de uma moeda/ botão. Se engolir a pilha do tamanho de uma moeda/botão, esta pode provocar graves queimaduras internas em apenas 2 horas, podendo provocar a morte. Mantenha as pilhas novas e usadas fora do alcance das crianças. Se o compartimento da pilha não fechar em segurança, interrompa a utilização do equipamento e mantenha-o fora do alcance das crianças. Caso considere que as pilhas foram engolidas ou inseridas noutra parte do corpo, procure assistência médica imediata.

Este aparelho pode ser utilizado por crianças a partir dos 8 anos de idade e por pessoas com limitações físicas, sensoriais ou mentais ou com falta de experiência e conhecimento, desde que as mesmas estejam sob vigilância ou tenham recebido instruções relativamente ao uso do aparelho em condições de segurança e compreendido os perigos associados. O aparelho não deve servir de brinquedo para crianças. A limpeza e serviços de manutenção a efectuar pelo utilizador não devem confiados a crianças sem vigilância de um adulto.



STIR IT UP PİKAP PLAKÇALAR TALIMATLARI

House Of Marley'e Hoş Geldiniz

Müzik deneyiminizin bir parçası olarak Stir It Up ürününü seçmenizden dolayı onur duyduk. Stir It Up ürünü Get Together BT hoparlörümüzün tasarım ve materyal özellikleriyle, Bob Marley dönemi (1960-1980) pikap nostaljik tasarım karakteristik özelliklerine sahiptir. Zengin materyaller, uygun görünüm ve kaliteye sahip basit şekiller. Bırakın materyaller tüm doğallığıyla parıldasın.

KULLANIM ÖNCESİ

1. Ünitenin kurulum yerini dikkatlice seçin. Doğrudan güneş ışığı alan ya da ısı kaynağına yakın yerlere kurmaktan kaçının. Ayrıca titreşim ve aşırı toz, soğuk ya da neme maruz kalan yerlerden de kaçınınız. Transformatör ya da motor gibi uğultu yapan kaynaklardan da uzak tutunuz.
2. Devre parçalarına zarar verebileceğinden veya elektrik çarpmasına neden olabileceğinden kabini açmayın. Yabancı bir nesnenin set içerisine kaçması durumunda Müşteri Hizmetleriyle iletişime geçiniz.
3. Plağı kirli ellerinizle taşımadığınızdan emin olun. Yüzeyinde çatlak olan bir plâğı asla çalmayınız.
4. Güç fişini prizden çıkartırken, daima fişi çekin, asla kabloyu çekmeyiniz.
5. Pikap iğnesini korumak için kullandıktan sonra beyaz koruyucu iğne kılıfını takmayı unutmayınız.
6. Kaplamaya zarar verebileceğinden üniteyi kimyasal çözücülerle temizlemeye çalışmayınız. Temiz ve kuru bir bez kullanınız.
7. Bu ürüne giden gücü tamamen kesmek için güç kablosunu prizden çıkartınız. Tatil gibi bir nedenle uzun süreli olarak kullanmayı planlamıyorsanız, ünitenin fişini çektiğinizden emin olun.
8. Daha sonra başvurmak üzere bu kullanım kılavuzunu güvenli bir yerde saklayınız.

MONTAJ

1. Tüm parçaları paketten çıkarınız ve ardından ürünü sağlam bir yüzey üzerine yerleştiriniz.
 2. Kayışı metal tepsinin altına sarınız. Kayışın burgulu olarak takılmadığından emin olun. Aşağıdaki çizimdeki gibi kayışı gerginleştirmek için baş parmağınızı kullanınız.
 3. Tepsiyi ters çeviriniz ve kayışı tutmayı unutmayınız. Ardından göbek miliyle eşleştiriniz ve tepsiyi üniteye takınız.
 4. Baş parmağınızla tuttuğunuz kayışı üçlü düzende dişli sütunlarından ana (beyaz) döner sütuna sarınız.
 5. Pikap altlığını tepsi üzerine yerleştiriniz. Ardından ana montaj tamamlanmış olacaktır.
- NOT:** Pikabı sökmek için doğrudan pikabı kavrayınız ve yukarı doğru çekiniz
6. Karşı ağırlığını çıkarınız ve Pikap iğne çubuğu üzerinde uygun yerine yerleştiriniz (çizime bakınız).
 7. 45 rpm adaptörünü sökünüz ve plakçaların sağ üst köşesindeki yeni yerine yerleştiriniz.



STIR IT UP PİKABINI ELEKTRİĞE BAĞLAMA

Stir It Up pikabınız AC güç kaynağı kullanır ve standart prizden güç almaktadır.

1. AC güç kaynağı kablosunu Stir It Up ünitesine takın.
2. Fişi uygun bir prize takın.

KULLANIMI KOLAY

1. AC güç kaynağını evdeki prize takın.
2. Üniteyi açmak için ünite üzerindeki OFF/33/45 kadranını döndürün ve çalışacağınız plağa göre hızı seçin.
3. Pıkaba bir plak koyun. 45 RPM plaklarını çalarken sağ üst köşede bulunan 45 RPM adaptörünü kullanmayı unutmayın.
4. Pikap iğne çubuğunu kaldırın ve pikabın üzerine getirin. Pikap iğne çubuğunu plağın kenarına yerleştirdikten sonra plak çalmaya başlayacaktır.
5. Denge ağırlığını takın ve uygun konuma ayarlayın.

NOT: Denge ağırlığı iğnenin basıncını ayarlamak için kullanılır. Basınç çok fazlaysa ses bozuk gelecektir; basınç çok azsa kolaylıkla atlama yapacaktır. Lütfen denge ağırlığını saat yönünde ya da saat yönünün tersi yönde döndürerek ayarlayın.

6. Çalmayı duraklatmak ya da durdurmak için pikap iğne çubuğunu manüel olarak kaldırıp pikap iğne çubuğu dayanağına geri götürmeniz gerekir.
7. Plağın sonuna gelindiğinde pikap iğne çubuğu ve dönme duracaktır. Pikap iğne çubuğunu manüel olarak kaldırın ve pikap iğne çubuğu dayanak yerine geri yerleştirin.

BAĞLANTILAR

UYARI: Bağlantıları gerçekleştirmeden önce ekipmana giden tüm gücü kapatın. Bu üniteyle kullanmak istediğiniz her bir parçanın talimatlarını okuyun. Her bir fişi sağlam şekilde taktığınızdan emin olun. Uğultu ve paraziti önlemek için sinyal ara bağlantı kablolarını AC güç kablosuyla kablo demeti olarak bağlamaktan kaçının.

LINE OUT ÖZELLİĞİNİ KULLANMA

1. PRE-AMP OFF/ON SWITCH düğmesini ON (AÇ) konumuna getirin.
2. RCA kablosunun (birlikte verilir) bir ucunu ünitenin arkasında bulunan LINE OUT yuvasına takın. Yuvayla rengin eşleştiğinden emin olun.
3. Kablonun diğer ucunu ev amfi cihazınızın LINE IN yuvasına takın.
4. Üniteyi ve bağladığınız amfiyi açın.
5. Amfi cihazında sesi ayarlayın.

PHONO OUT ÖZELLİĞİNİ KULLANMA

1. PRE-AMP OFF/ON SWITCH düğmesini OFF (KAPAT) konumuna getirin.
2. Kablonun (birlikte verilir) bir ucunu ünitenin arkasında bulunan PHONO OUT yuvasına takın. Yuvayla rengin eşleştiğinden emin olun.
3. Kablonun diğer ucunu ev amfi cihazınızın PHONO IN yuvasına takın.
4. Üniteyi ve bađladığınız amfiyi açın.
5. Amfi cihazınızda sesi ayarlayın.

KULAKLIK ÖZELLİĞİNİN KULLANILMASI

1. Kulaklığı (birlikte verilmez) ünitenin ön panelinde bulunan Earphone kulaklık yuvasına takın.

NOT: Kulaklık ucunu üniteye takmadan asla kulaklık kullanmayın

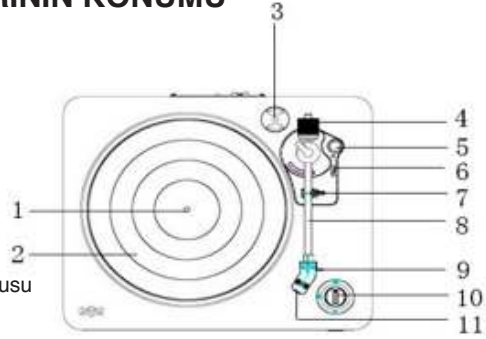
USB-PC Fonksiyonu, Audacity Yazılımı

BİRLİKTE VERİLEN CD AŞAĞIDAKI YAZILIMI İÇERİR:

Audacity Yazılımı USB-PC Fonksiyonuyla ilgili tam talimatlar
<http://www.audacityteam.org/download/>

KONTROL DÜĞMELERİNİN KONUMU

1. Göbek mili
2. Pikap
3. 45 Rpm adaptör
4. Denge ağırlığı
5. Kayma önleyici kadrani
6. Pikap iğne çubuğu yükseltisi
7. Pikap iğne çubuğu dayanak tutucusu
8. Pikap iğne çubuğu
9. Pikap iğnesi
10. Off / 33/45 kadrani
11. İğne kilifi
12. Kulaklık yuvası
13. Rca çıkış yuvaları
14. Pre-amp off/on düğmesi
15. Usb yuvası
16. Ac prizi



PLAK DINLEME

1. Harici amfi cihazını bağlayın.
2. Plağı pikapta ortadaki göbek mili üzerine yerleştirin. 45 rpm plakları çalarken ortadaki göbek miline EP adaptörünü yerleştirin.
3. Hız Seçiciyi plağa göre 33 veya 45 rpm olarak ayarlayın.
4. Pikap iğne çubuğunun kelepçesini serbest bırakın ve pikap iğnesinin kılıfını çıkarın.
5. Pikap İğne Çubuğu Kaldırma Koluyla Pikap İğne Çubuğunu kaldırın.
6. Pikap iğne çubuğunu plağın başlangıç noktasına veya belirli bir şarkının başlangıç noktasına getirin.
7. Çalmayı başlatmak için pikap iğne çubuğu kaldırma koluyla pikap iğne çubuğunu nazikçe plağın üzerine indirin.
8. Plak bittiğinde pikap iğne çubuğu otomatik olarak duracaktır. Manüel olarak durdurmak için pikap iğne çubuğunu plağın üzerinden kaldırın ve dayanağa geri yerleştirin.

NOTLAR:

- Pikap iğne çubuğunu dengelemeden önce iğne kılıfını çıkartın.
- Bir değişiklik yaptığınızda ya da bir eylemde bulunduğunuzda, korumak için pikap iğne çubuğunu tutun.
- İğneyi kırabileceğinden ve plağı çizebileceğinden, plak çalarken denge ağırlığını ayarlamaya çalışmayın.
- İğneyi korumak için taşıma öncesinde pikap iğne çubuğunu yeniden sabitleyin.
- Ünitede hasar ve kırılmaları önlemek için taşıma öncesinde denge ağırlığını sökün.
- Tepsiyi manüel olarak durdurmayın ya da döndürmeyin. Pikap iğne çubuğu kelepçesi sabitlenmeden taşınma ya da sarsılması pikap iğne çubuğunda hasara neden olabilir.

KAYMA ÖNLEYİCİ

Normalde kayma önleme özelliği minimum değerine ayarlanmalı. Kayma önleme özelliği pikap iğnesi plağın ortasına doğru yaklaşırken belirli pikaplarda içe doğru zorlama hareketini telafi eder. Pikap merkez göbek miline yaklaşırken aşırı atlama yapıyorsa, kadranda belirtilen kademelerde kayma önleme özelliği değerini artırmayı deneyin. 1 oranında artırımlarla başlayın, performansını test edin ve ardından daha fazla artırın ve aynı şekilde devam edin.

Not: Kayma önleme kadranını ayarlama sırasında pikap iğnesinin hasar görmesini önlemek için pikap iğne çubuğunu ve denge ağırlığını ayrı tutun.

SORUN GİDERME REHBERİ

Ünitede sorun olması durumunda, satıcınızı aramadan önce sorunu kendi başınıza çözüp çözemeyeceğinizi görebilmek için lütfen aşağıdakilere bakın.

BÜTÜN ÜNİTE

SORUN	NEDEN	ÇÖZÜM
Güç düğmesine basıldığında elektrik gelmiyor.	Ünitenin fişi çıkmıştır.	Üniteyi AC güç kaynağına takın.
Ses yok	Çalışmakta olan girişle kaynak giriş eşleşmiyordur.	Yeniden bir kaynak seçin.
Ses parazitli.	Ünite TV seti ya da başka benzer bir alete çok yakındır.	TV'yi ya da diğer aleti kapatın ve üniteyi yeniden konumlandırın.
Ünite yanıt vermiyor ya da sıfırlanamıyor.	ESD (Elektrostatik Boşalma) gibi dış faktörler üniteyi etkiliyordur.	Güç kablosu ve tüm güç kaynağı cihazlarını çıkartın, bir dakika sonra ünitenin fişini yeniden takın.

PHONO ÇALAR

SORUN	NEDEN	ÇÖZÜM
Plak çalarken ses parazitli geliyor.	Pikap iğnesine orta merkeze yerleştirilmemiştir.	Orta merkezeye yerleştirilmiş pikap iğnesinin yeniden konumlandırın.
Bir süre kullandıktan sonra ses parazitleniyor.	Pikap iğnesi hasar görmüştür.	Lütfen yeni bir pikap iğnesi takın.

EMNİYET ÖNLEMLERİ

UYARI: Yangın ya da elektrik çarpması riskini azaltmak için aleti yağmur ya da neme maruz bırakmayın.

DİKKAT: Belirtilenler dışında kullanılan kontroller, ayarlamalar ya da performans prosedürleri tehlikeli radyasyona maruz kalınmasına neden olabilir.

UYARI: ELEKTRİK ÇARPMA RİSKİ - AÇMAYIN!

Elektrik çarpma riskini azaltmak için kapağı ya da arka tarafın sökmeyin.

İçerisinde bakım yapılabilecek herhangi bir parça bulunmamaktadır. Servis işleri için kalifiye servis personeline başvurun.



Eşkenar üçgen içerisinde bulunun ok ucu sembolünün yanıp sönmeye başlamesi kullanıcıyı ürün mahfazası içinde kişilerde elektrik çarpmasına neden olabilecek yeterli ölçüde bulunan yalıtılmamış "tehlikeli gerilim" konusunda uyararak amaçlıdır.



Eşkenar üçgen içerisindeki ünlem işareti kullanıcıyı alet beraberinde verilen önemli çalıştırma ve bakım (servis bakımı) talimatlarının varlığı konusunda uyaracaktır.

(Ünitenin arkasındaki işaretlere bakın.)

Bu ünite 100-240V elektrikle çalışır. Ünite uzun bir süre kullanılmayacaksa, fişi AC

şebeke prizlerinden çıkarın.

Üniteyi çalıştırmadan önce tüm bağlantıların düzgün şekilde yapıldığından emin olun.

Bu ünite nem ve yağmura maruz bırakılmamalıdır.

Bu ünite uygun olarak havalandırılacak şekilde konumlandırılmalıdır. Üniteyi örneğin perdelerle yakın, halı üzerine veya kitap dolabı gibi dahili kurulumlara yerleştirmekten kaçının.

Bu üniteyi doğrudan güneş ışığına ve ısı yayan kaynaklara maruz bırakmayın.

ÖNEMLİ GÜVENLİK TALİMATLARI

1. Bu talimatlara uyun ve talimatları muhafaza edin.
2. Tüm uyarılara uyun.
3. Bu aleti su yakınında kullanmayın.
4. Sadece kuru bezle temizleyin.
5. Havalanma açıklıklarını kapatmayın. Üreticinin talimatları doğrultusunda kurun.
6. Radyatör, ısıtıcı, ocak veya (amfiler dahil) ısı üreten herhangi bir aletin yakınında kurmayın.
7. Güç kablosunu, üzerinde yürünmesine veya özellikle fiş, çoklu prizler ve aletten çıktıkları noktada ezilmeye karşı koruyun.
8. Sadece üretici tarafından belirtilen ekleri/aksesuarları kullanın.
9. Şimşek ve yıldırımın olduğu fırtınalı havalarda veya uzun süre kullanılmadığında bu aleti prizden çıkarın.
10. Tüm servis işleri için kalifiye servis personeline başvurun. Güç besleme kablosunun ya da fişinin hasar görmesi, alete sıvı dökülmesi ya da alet üzerine bir nesne düşmesi, aletin yağmur ya da neme maruz kalması, normal çalışmaması veya düşürülmüş olması gibi aletin herhangi bir şekilde hasar gördüğü durumlarda servis bakımı gereklidir.
11. Yangın ya da elektrik çarpması riskini azaltmak için aleti yağmur ya da neme maruz bırakmayın.
12. **DİKKAT:** Pilin yanlış yerleştirilmiş olması durumunda patlama tehlikesi bulunmaktadır. Sadece aynı ya da eşdeğer tür ile değiştirin.

WEEE ACIKLAMASI



Bu işaret bu ürünün AB genelinde diğer ev atıklarıyla birlikte atılmaması gerektiğini belirtir. Kontrolsüz atığın çevre veya insan sağlığına olası zararları engellemek için sorumlu bir şekilde geri donuşturulmasını ve malzeme kaynaklarının sürdürülebilir şekilde yeniden kullanılmasını sağlayın. Kullanılmış aygıtınızı iade etmek için lütfen iade sistemlerini kullanın veya ürünü satın aldığınız perakende satış noktasıyla görüşün.

Kendileri bu ürünü çevreye zarar vermeyecek şekilde geri donuşturulmak üzere gerekli yere gönderebilirler.

PİL DİREKTİFİ



Bu sembol, çevreye ve sağlığa karşı zararlı olabilen maddeler icerebileceği için pillerin ev atığıyla atılmaması gerektiği gösterir. Lütfen, pilleri belirtilen toplama noktalarına atın.

UYARI

Pil (uzaktan kumandadaki) güneş ışığı, ateş ya da benzeri aşırı ısı kaynaklarına maruz bırakılmamalıdır.

UYARI PİLİ YUTMAYIN, KİMYEVİ YANIK TEHLİKESİ.

Bu ürün bir düğme pil içerir. Düğme pil yutulursa, en fazla 2 saat içerisinde ciddi iç yanmaya ve ölüme neden olabilir. Yeni ve kullanılmış pilleri çocuklardan uzak tutun. Pil bölmesi sağlam bir şekilde kapanmıyorsa, ürünü kullanmayı bırakın ve çocuklardan uzak tutun. Pillerin yutulduğunu ve vücudun herhangi bir parçasının içine yerleştirildiğini düşünüyor, hemen tıbbi müdahaleye başvurun.

Gözetimlerinin sağlanmış olması ya da aletin güvenli şekilde kullanımına ilişkin talimat verilmiş ve beraberindeki tehlikeleri anlamış olmaları durumunda, bu alet, 8 yaş ve üzeri çocuklar tarafından ve kısıtlı fiziksel, duyuşsal ya da zihinsel yetilere veya bilgi ve tecrübe eksikliğine sahip kişiler tarafından kullanılabilir. Çocuklar bu aletle oynamamalıdır. Temizleme işlemi ve kullanıcı bakımı gözetim olmadığı durumlarda çocuklar tarafından yapılmamalıdır.



STIR IT UP 턴테이블 레코드 플레이어 매뉴얼

환영합니다.

Stir It Up 턴테이블을 당신 음악 경험의 일부분이 될 수 있도록 선택해주셔서 고맙게 생각합니다.

Stir It Up 턴테이블의 디자인과 재질은 Get Together 블루투스 스피커와 밥말리의 전성기 시대(1960~80년대)의 레트로 디자인으로부터 비롯되었습니다.

고급스러운 재질과 이를 완벽하게 마감하여 만든 심플한 형태는 내추럴한 재질이 돋보이도록 해줍니다.

사용하기 전

1. 제품을 설치하기 위한 장소를 신중히 선택하시기 바랍니다. 직사광선이 비치는 곳이나 열이 나는 곳 근처는 피해주시기를 바랍니다. 또한, 진동이 자주 발생하는 곳이나 먼지가 많은 곳, 추운 곳 혹은 습기가 있는 곳도 피해주시기를 바랍니다.
2. 전기회로망이 망가지거나 전기충격이 있을 수 있으니 캐비닛은 열지 마십시오. 만약 제품의 부품이 아닌 것이 제품 세트 안으로 들어간다면, 고객센터에 연락하시기를 바랍니다.
3. 더러운 손으로 레코드 판을 만지지 말아 주시기를 바랍니다. 표면에 흠집이 있는 레코드 판은 절대로 재생시켜서는 안 됩니다.
4. 전원 플러그를 콘센트로부터 뽑을 때, 항상 플러그 자체를 잡아당겨야 하며, 절대 코드를 잡아당겨서는 안 됩니다.
5. 스타일러스(THE STYLUS)를 보호하기 위해, 사용 후 하얀색의 보호 바늘 커버를 씌우는 것을 잊어서는 안 됩니다.
6. 화학약품으로 제품을 청소해서는 안 됩니다. 깨끗하고 마른 헝겊을 이용하셔야 합니다.
7. 완전하게 전원을 끄기 위해서는, 플러그를 콘센트로부터 뽑아주셔야 합니다. 만약 휴가 기간과 같은 장기간 동안 제품을 사용하지 않는다면, 플러그를 뽑아주셔야 합니다.
8. 비상 시 참고를 위해 이 매뉴얼을 안전한 곳에 보관해주시기 바랍니다.

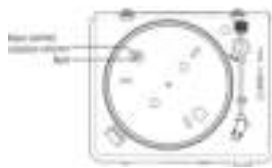
조립

1. 모든 구성품을 패키지에서 꺼내고 제품을 평평한 곳에 위치시켜 주십시오.
2. 메탈 플래터(the metal platter)를 뒤집어 바닥면 안쪽에 있는 동근면에 벨트를 끼워주세요. 벨트가 끼인 채로 돌러지지 않도록 해 주십시오. 엄지손가락으로 벨트의 한쪽 끝을 플래터의 동그란 홈에 맞춰 당겨 잡은 상태로 플래터를 바르게 뒤집어주세요. 스피들(the spindle)을 맞춘 후, 플래터(the platter)를 턴테이블 위에 올려주세요.
3. 바르게 놓은 플래터(the platter)를 턴테이블의 회전축(the spindle)에 중심을 맞추어 끼우고, 한쪽 끝을 잡고 있던 벨트는 턴테이블 왼쪽에 있는 회전기둥에 맞추어 걸어주세요.

4. 턴테이블 매트(the turn table mat)를 플래터(the platter) 위에 올려 놓아 주세요. 이렇게 되면 주요 조립은 완성된 것입니다.

주의: 턴테이블을 해체하기 위해서는, 직접적으로 턴테이블을 잡은 뒤에 플래터(the platter)를 위로 당겨 주세요.

5. 아래 세 번째 그림을 참고하여 밸런스 웨이트(the balance weight)를 톤 암(the tone arm)의 끝에 결합해주세요.
6. 구성품인 45RPM 어댑터를 꺼내어 레코드 플레이어의 위 쪽 오른쪽에 꽂아주세요.



전원공급방법

STIR IT UP 턴테이블은 AC 파워를 사용하며 일반적인 콘센트에 의해 전원을 공급 받습니다.

1. AC파워를 제품에 연결시켜 주세요.
2. 플러그를 콘센트에 꽂아 주세요.

간단한 사용 방법

1. AC파워를 콘센트에 꽂아 주세요.
2. 제품을 켜기 위해서 Off/33/45 손잡이를 돌려주세요. 당신이 재생하고자 하는 레코드에 따라 속도를 선택해주세요.
3. 턴테이블 위에 레코드 판을 놓아 주세요. 45RPM 레코드를 재생시킬 때는, 위 쪽 오른쪽에 있는 45RPM 어댑터를 사용해야 하는 것을 기억해주세요.
4. 톤 암(the tone arm)을 들어 올려 턴테이블 위로 위치시켜 주세요. 톤 암(the tone arm)을 레코드 판의 끝에 놓으면 턴테이블이 자동으로 회전하며 음악이 재생됩니다.
5. 밸런스 웨이트(the balance weight)를 조립한 뒤, 적절한 위치로 조절해 주세요.

주의: 밸런스 웨이트(the balance weight)는 바늘의 압력을 조절하기 위한 것입니다. 만약 압력이 너무 세면, 소리가 왜곡될 수 있습니다. 반면, 압력이 너무 약하면 트랙이 쉽게 건너 뛰어질 수도 있습니다. 밸런스 웨이트(the balance weight)를 시계 방향 혹은 시계 반대 방향으로 돌려서 맞춰 주세요.

6. 재생을 일시 정지시키거나 멈추게 하려면, 톤 암(the tone arm)을 들어 올려서 톤 암 받침대(the tone arm rest holder)로 옮겨주세요.
7. 레코드 판의 모든 음악이 재생되어 끝나게 되면, 회전이 멈춥니다. 톤 암(the tone arm)을 들어 올려서 톤 암 받침대(the tone arm rest holder)로 옮겨주세요.

연결

주의: 연결하기 전에 모든 기기의 전원을 꺼 주세요. 이 제품과 연결시키고자 하는 모든 구성품의 매뉴얼을 읽어 주세요. 각각의 플러그를 안전하게 꽂아 주세요. 잡음을 방지하기 위해서, 신호를 받는 케이블과 AC 파워 플러그를 함께 묶어 놓는 것을 하지 마세요.

외부기기(LINE OUT) 실행

1. 프리앰프의 OFF/ON 스위치를 ON 으로 바꿔 주세요.
2. 뒤 쪽에 있는 (Line out) 소켓에 구성품으로 포함되어 있는 RCA 케이블을 꽂아 주세요. 소켓의 색깔과 같은 색의 케이블을 꽂아 주세요.
3. 당신이 연결하고자 하는 기기의 소켓에 RCA 케이블의 반대편 커넥터를 꽂아 주세요.
4. Stir It Up 턴테이블의 스위치와 연결한 스피커의 스위치를 켜 주세요.
5. 앰프의 볼륨을 조절해주세요.

포노아웃(PHONO OUT) 실행

1. 프리앰프의 Off/On 스위치를 OFF 로 바꿔 주세요.
2. 뒤 쪽에 있는 (phono out) 소켓에 구성품으로 포함되어 있는 RCA 케이블을 꽂아 주세요. 소켓의 색깔과 같은 색의 케이블을 꽂아 주세요.
3. 당신이 연결하고자 하는 기기의 소켓에 RCA 케이블의 반대편 커넥터를 꽂아 주세요.
4. Stir It Up 턴테이블의 스위치와 연결한 앰프의 스위치를 켜 주세요.
5. 앰프의 볼륨을 조절해주세요.

헤드폰 실행

1. STIR IT UP 턴테이블의 앞 쪽에 있는 이어폰 소켓에 헤드폰의 케이블을 꽂아 주세요.

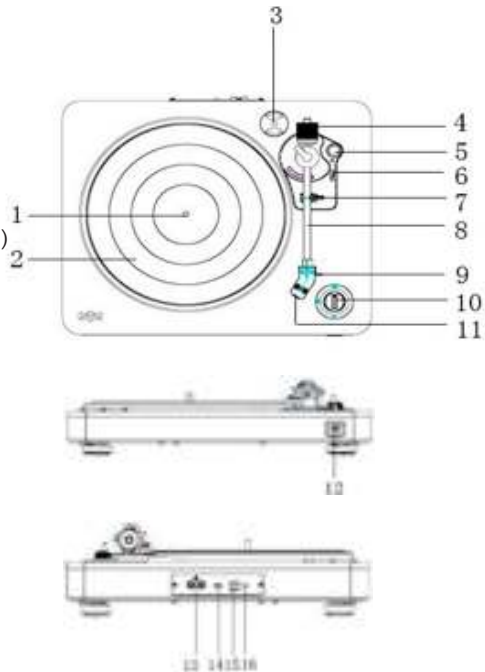
주의 : 헤드폰 플러그를 꽂기 전까지 헤드폰을 절대 착용하지 말아 주세요.

USB-PC 기능, Audacity 소프트웨어

Audacity 소프트웨어 USB-PC 기능을 위한 모든 설명은 다음의 사이트에서 찾을 수 있습니다 : <http://www.audacityteam.org/download/>

명칭 및 위치

1. Spindle (회전축)
2. Turntable(턴테이블)
3. 45RPM (어댑터)
4. Balance Weight (밸런스 웨이트)
5. Anti-Skating Knob (안티 스키어링 손잡이)
6. Tone Arm Lift Lever (톤 암 리프트 레버)
7. Tone Arm Rest Holder (톤 암 받침대)
8. Tone arm (톤 암)
9. Stylus (스타일러스)
10. Off/33/45 손잡이
11. Needle Cover (바늘 커버)
12. Earphone Socket (이어폰 소켓)
13. RCA (출력 소켓)
14. Pre-Amp(프리앰프) OFF/ON (스위치)
15. USB 소켓
16. AC 파워 소켓



레코드 듣기

1. 외부 앰프 기기를 연결하세요.
2. 턴테이블 위에 레코드 판을 놓아주세요. 45RPM 레코드를 재생할 때는 45RPM 어댑터를 회전축 위에 놓아주세요.
3. 재생하는 레코드의 종류에 따라 속도를 선택해주세요.
4. 톤 암(the tone arm)을 고정하는 고리를 풀고, 카트리지의 바늘을 보호하는 커버를 벗겨주세요.
5. 톤 암 리프트 레버(the tone arm lift lever)를 이용해 톤 암(the tone arm)을 들어 올려 주세요.
6. 톤 암(the tone arm)을 레코드 판의 끝에 놓거나 혹은 특정한 트랙의 시작점에 놓아주세요.
7. 톤 암 리프트 레버(the tone arm lift lever)를 이용해 톤 암(the tone arm)을 레코드 판 위에 살며시 내려 놓으면 재생을 시작합니다.
8. 모든 트랙이 다 재생이 되었다면, 재생이 자동으로 멈출 것입니다. 수동으로 정지시키고 싶을 때는, 톤 암(the tone arm)을 들어 올려 받침대(the tone arm rest holder)로 옮겨 주세요.

주의 :

- 톤 암(the tone arm)의 밸런스를 맞추기 전에 카트리지의 바늘 커버를 제거해주세요.
- 어떠한 수치나 작동을 조정할 때는 톤 암(the tone arm)의 손상을 막기 위해 항상 톤 암(the tone arm)을 들고 있는 상태로 진행해주세요.
- 음악을 재생하는 도중에 밸런스 웨이트(balance weight)를 조절하지 마세요. 이는 카트리지의 바늘이 부러지거나 레코드 판에 스크래치를 낼 수 있습니다.
- 바늘을 보호하기 위해 톤 암(the tone arm)의 이동 전에는 바늘 커버를 씌워 주세요.
- 제품의 손상 혹은 부서짐을 방지하기 위해 이동 전에는 밸런스 웨이트(the balance weight)를 제거해주세요.
- 플래터(the platter)를 수동적으로 멈추거나 돌리지 마세요. 톤 암(the tone arm)을 고정하지 않은 채로 턴테이블을 움직이는 경우 톤 암(the tone arm)이 파손될 수 있습니다.

안티 스케이팅(ANTI-SKATING)

일반적으로 안티 스케이팅(the anti-skating) 은 최소한으로 세팅 되어 있습니다. 안티 스케이팅은 스타일러스(the stylus)가 레코드 판의 가운데로 올 때 발생하는 스타일러스(the stylus)가 안쪽으로 움직이려고 하는 것을 방지해줍니다. 만약 턴테이블이 중심축 가까이에서 올 때 과도한 곡 건너뛰기(skipping)가 발생한다면, 안티 스케이팅 손잡이(the anti-skating knob)를 돌려서 수치를 증가시켜 주세요. 먼저, 수치 1을 올린 후 테스트 하세요. 만약, 곡 건너뛰기(skipping)가 또 일어나면 단계적으로 올린 후 테스트 하세요.

주의 : 안티 스케이팅(the anti-skating)을 조절할 때, 스타일러스(the stylus)가 손상되는 것을 막기 위해서 밸런스 웨이트(the balance weight)를 톤 암(the tone arm)에서 분리시켜 주세요.

문제발생시 해결

만약 문제가 발생한다면, 판매자에게 문의하기 전에 아래를 참고하여 스스로 문제 해결을 할 수 있는지 확인해보세요.

제품 자체 문제

문제	원인	해결방법
전원 스위치를 눌러도 전원이 들어오지 않아요.	플러그가 꽂혀 있지 않아서입니다.	AC 파워를 콘센트에 꽂아주세요.
소리가 나오지 않아요.	입력단자가 잘못 꽂혀 있어서입니다.	올바른 입력단자에 꽂아주세요.
턴테이블이 반응이 없거나 리셋이 되지 않아요.	전류공급의 차단 같은 외부 요소가 제품에 영향을 미칠 수 있습니다.	제품의 전원 플러그를 비롯하여 모든 연결된 기기들의 전원 플러그를 뽑고, 1분 후 다시 꽂아주세요.

포노(PHONO) 플레이어

문제	원인	해결방법
레코드를 재생할 때 잡음이 있어요.	스타일러스(the stylus)가 중간에 와 있지 않아서입니다.	스타일러스(the stylus)를 중간으로 옮겨주세요.
소리가 나오지 않아요.	작동시키려는 제품과 입력력이 맞지 않아서입니다.	입력을 다시 선택해주세요.
턴테이블이 반응이 없거나 리셋이 되지 않아요.	작동시키려는 제품과 입력력이 맞지 않아서입니다.	입력을 다시 선택해주세요.

경고 사항과 일반적인 안전 정보

경고: 화재 및 전기 충격과 같은 위험을 줄이기 위해서, 제품이 비를 맞게 하거나 습한 곳에 두지 마세요.

주의: 매뉴얼에 나와 있는 대로가 아닌 제어 및 사용은 위험한 방사선 노출을 야기할 수 있습니다.

주의: 전기 충격의 위험 - 열지 마세요!

전기 충격의 위험을 줄이기 위해서, 커버 혹은 뒷면을 제거하지 마세요.

소비자가 스스로 사용할 수 있는 부품이 내장되어 있지 않습니다. 자격 있는 서비스 요원에게 서비스를 요청하세요.



이러한 표시는 제품에 내장되어 있는 절연되지 않은 위험한 전류의 존재를 사용자에게 알리기 위한 것입니다. 위험한 전류는 사람에게 전기 충격의 위험을 충분히 줄 수 있습니다.

이 제품은 100-240V 에서 작동합니다. 만약 제품을 장기간 사용하지 않는다면, 플러그를 뽑아주세요.



이러한 표시는 중요한 작동과 제어에 대한 존재를 알리기 위한 것입니다.

제품을 작동시키기 전에 모든 연결이 제대로 되었는지 확인해주세요.

습기 혹은 비에 노출되지 않도록 해주세요.

환기가 되는 곳에 놓아주세요. 커튼 가까이나 카펫 위와 같은 곳에는 놓지 않아 주세요.

제품을 직접적으로 직사광선을 받거나 혹은 열이 발생하는 곳에 놓지 않아 주세요.

중요 안전 수칙

1. 이 안전수칙을 계속적으로 따라 주세요.
2. 모든 경고에 주의를 기울여주세요.
3. 물 근처에서는 사용하지 않아주세요.
4. 오직 건조한 천으로만 닦아 주세요.
5. 환기 구멍을 막지 않도록 해주세요. 지시사항에 따라 설치해 주세요.
6. 열이 발생하는 곳에 놓지 않아 주세요.
7. 지정된 부품만 사용해주세요.
8. 폭풍이 일거나 장기간 사용하지 않을 경우 플러그를 뽑아 주세요.
9. 자격 있는 전문가에게 서비스를 받으세요.
10. 주의: 만약 배터리가 잘못 교체되었다면 폭발의 위험이 있습니다. 동일한 타입 혹은 비슷한 타입의 배터리로 교체해주세요.

BATTERY DIRECTIVE



배터리는 환경과 건강에 안 좋은 영향을 미칠 수 있는 물질을 포함하고 있으므로, 이 표시는 배터리는 일반 쓰레기와 함께 버려서는 안 된다는 것을 의미합니다.



지정된 장소에 배터리를 버려주세요.

경고: 배터리는 과중한 열에 노출되어서는 안 됩니다.

경고: 배터리를 삼키지 마세요.

이 제품은 동전 모양의 배터리를 포함하고 있습니다. 만약, 이러한 배터리를 삼켰다면 두 시간 이내에 심각한 내부 화상을 야기할 것이며 죽음에도 이르게 할 수 있습니다. 사용하지 않은 배터리 그리고 사용한 배터리를 아이들의 손이 닿지 않는 곳에 놓아 주세요. 만약 배터리가 포함되어 있는 부분이 안전하게 닫혀지지 않았다면, 제품의 사용을 중단하고 아이들이 만지지 못하도록 하세요. 만약 배터리를 삼켰다면, 즉시 의사에게로 가세요.

FCC STATEMENT

이 제품은 디지털 제품의 규격에 맞게 테스트 되었고, 규정을 준수하였습니다. 이러한 규정은 해로운 방해로부터 보호하기 위해 만들어졌습니다. 이 제품은 전자파 에너지를 발생시키며, 만약 지시사항에 따라 설치하지 않는다면 무선 소통에 심각한 방해를 일으킬 수 있습니다. 그렇지만, 어떠한 특정 설치로 인해 혼선이 발생한다는 것은 보장하지 않습니다. 만약, 라디오나 텔레비전에 심각한 방해가 나타난다면 다음과 같은 방법을 사용해 보세요 :

- 라디오나 텔레비전의 수신 안테나 방향을 바꿔보세요.
- 턴테이블과 수신기 사이의 거리를 늘려보세요.
- 라디오 혹은 텔레비전의 플러그를 꽂아 놓은 콘센트가 아닌 다른 콘센트에 턴테이블의 플러그를 꽂아보세요.
- 라디오 혹은 텔레비전 전문가의 도움을 받으세요.

주의: 승인 받지 않은 제품의 구성품 변경은 제품을 사용할 수 있는 사용자의 권리를 무효로 만듭니다.



본 제품은 KC 인증을 받은 안전한 제품입니다.



BOB MARLEY™
MARLEY™
BOBMARLEY.COM

©Fifty-Six Hope Road Music Ltd., ©2011-2016.
Right of Publicity and Persona Rights.
Fifty-Six Hope Road Music Ltd.

Made in China. Fabriqué en Chine. IB - EMJT000SB

Distributed by House of Marley, LLC, 3000 Pontiac Trail, Commerce Township, MI 48390. Distributed in Europe by HoMedics Group Ltd., Somerhill Business Park, Five Oak Green Rd, Tonbridge, Kent TN11 0GP, UK.

Due to continuous product improvements, pictures on the carton may differ slightly from the actual product. All other brands, product names, company names and trademarks are property of their respective owners.

Toutes autres marques de commerce et tous autres noms commerciaux appartiennent à leurs propriétaires respectifs. Étant donné que nous améliorons constamment nos produits, l'image sur le carton peut différer légèrement du produit réel.

HouseofMarley.com

