



KIDDYME



READ CAREFULLY AND KEEP FOR FUTURE REFERENCE.

Safety

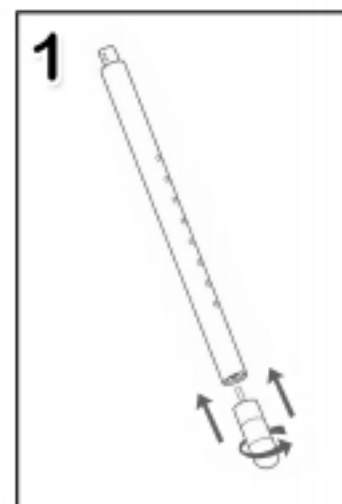
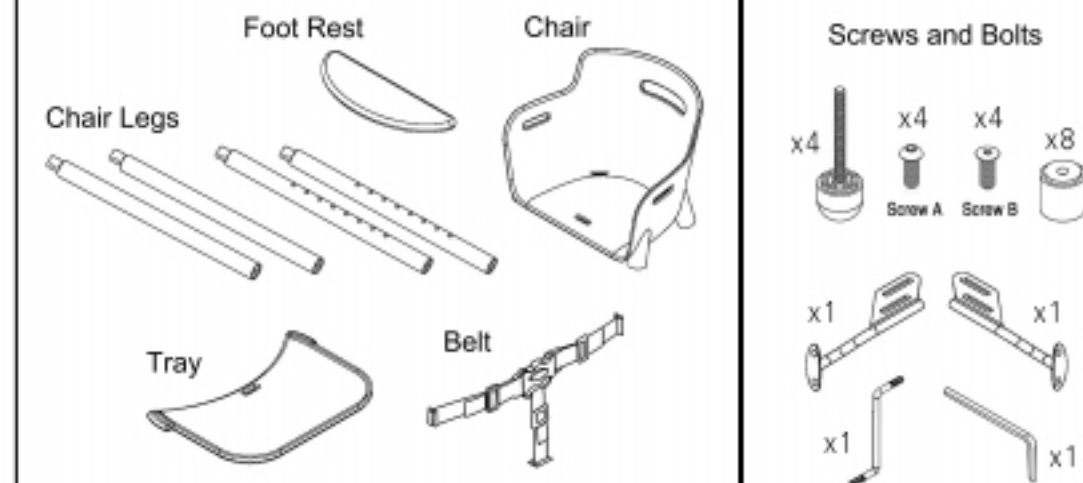
IMPORTANT! READ CAREFULLY AND KEEP FOR FUTURE REFERENCE.

Read these instructions carefully before assembly, use and keep for future reference. The child may be hurt if you do not follow these instructions.

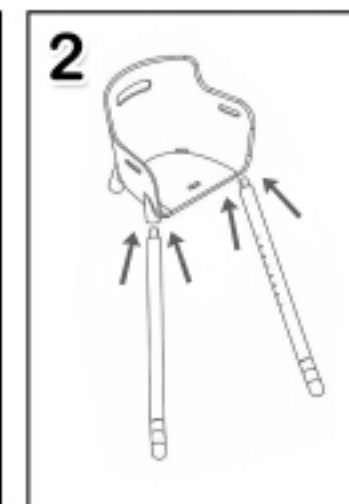
- This highchair is intended for children able to sit up unaided (usually around 6 months) and up to 3 years or a maximum weight of 15kg.
- This highchair can be used as a junior chair. Junior chair mode is suitable from 36 months (3 years) to approx. 5 years.

- ⚠ **WARNING:**
Follow the manufacturer's instructions.
- ⚠ **WARNING:**
Never leave the child unattended. Always keep child in view while in the highchair.
- ⚠ **WARNING:**
The harness must always be used and correctly fitted. Most injuries from highchairs are caused by falls.
- ⚠ **WARNING:**
Do not leave your child unattended, even for the shortest time.
- ⚠ **WARNING:**
Position the highchair away from solid structures and benches to avoid injuries caused by falls and by access to dangerous items.
- ⚠ **WARNING:**
Do not use the highchair unless all components are correctly fitted and adjusted.

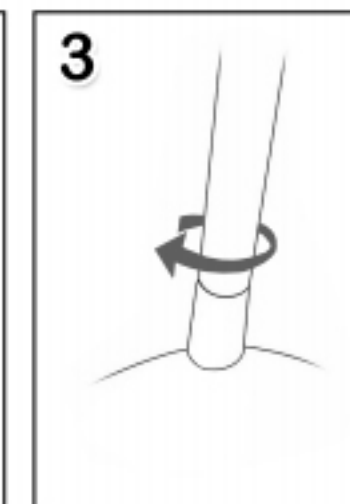
Baby High Chair Package List



1
Attach the base to the legs of the chair and tighten.



2
Set the legs to the hole of the seat. Make sure the legs are aligned.



3
Attach the legs of the chair to the seat by inserting one end of a leg to the hole at the base of the seat. Rotate to the right position

4 Screw in place the 2 white levels on the front legs of the chair and place the wooden step on top.



Screw A

Screw B



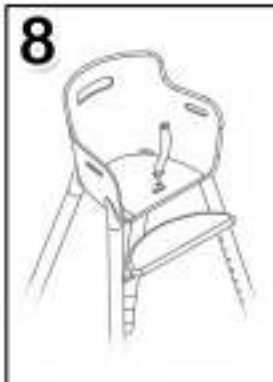
Place the tray on top of the seat by simply inserting the sides of the tray to the holes on the side of the seat.



Attach the seatbelt to the base of the seat by inserting the three ends of the belt to the holes.



Press the button in the middle of the seatbelt to unlock the belt. Simply insert back the belt to lock.



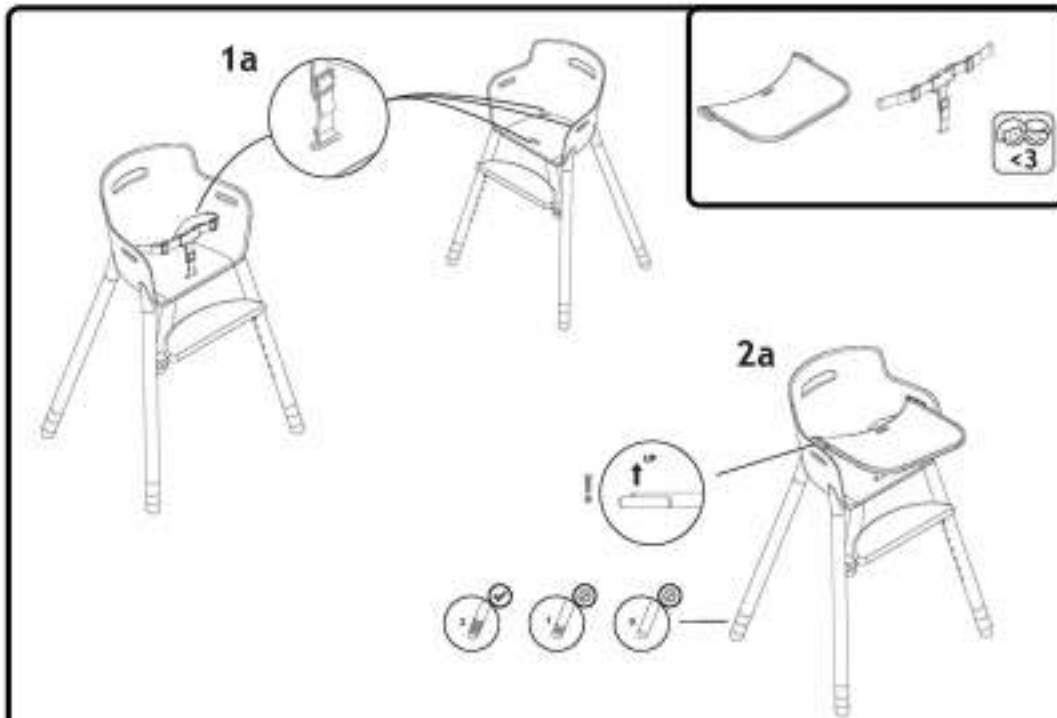
For older kids, you may remove the seatbelt and use the short strap to be attached between the tray and the seat.

Adjustable Baby High Chair

0-3 years old



3+ years old



Care

Maintenance

- The correct use and maintenance of this highchair is essential.
- This product requires regular maintenance to keep it in good working order.
- Regularly check all parts of the product to ensure that they are operating correctly and for signs of wear or damage.
- Do not use this product if any part is broken, torn or missing and use only spares provided by the manufacturer.

Cleaning

- Frame: Wipe with a damp cloth and wipe dry with a soft cloth.
- Harness: Sponge clean with a mild soap and water solution. Rinse and wipe dry.
- Never clean any part of highchair with abrasive, ammonia based, bleach based or spirit type cleaners.
- Ensure the product is fully dry before use or storage.
- Always ensure the highchair is stored in a dry place to prevent mold or mildew developing.