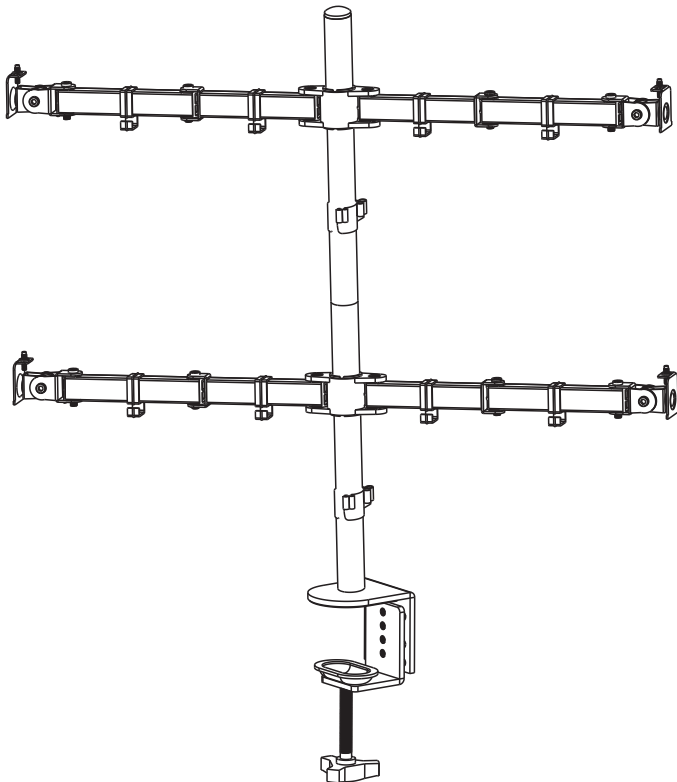


DOUXE

DXM4 - Monitor stand



Instruction Manual

UNPACKING INFORMATION

1. Carefully open the carton packaging to avoid potential paper cuts.
2. Remove the contents and lay them out for easy identification during installation.
3. Verify that all components are present and undamaged by cross-referencing with the parts list on page 2.
4. Do not use damaged or defective parts.
5. Before attempting installation, thoroughly read all provided instructions.

SAFETY INFORMATION

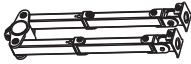
1. Please do not begin installation until you have thoroughly read and understood these instructions.
2. Do not exceed the maximum load capacity specified for this product.
3. Improper installation may result in property damage or personal injury.
4. This product contains small parts that could pose a choking hazard. Keep these items and the product packaging out of reach of children.
5. Use appropriate safety equipment during installation.
6. It is recommended that two individuals perform this installation for proper support and handling.
7. In case of uncertainty or ambiguity, consult a qualified contractor or installation specialist.

Supplied Parts List

① Pole X1



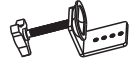
② Swivel Arm X1



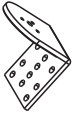
③ VESA Plate X4



④ "C" Clamp X1



⑤ "C" Clamp Brace X1



⑥ Extended pole X1



A M6 Nut X4



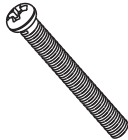
B M8x12 Bolt X2



C M5x16 Bolt X3



D M4x30 Bolt X16



E M4x12 Bolt X16



F M4 Spacer x16



G Wire Clip X2



H Wire Clip X2



I Allen Key



J Allen Key



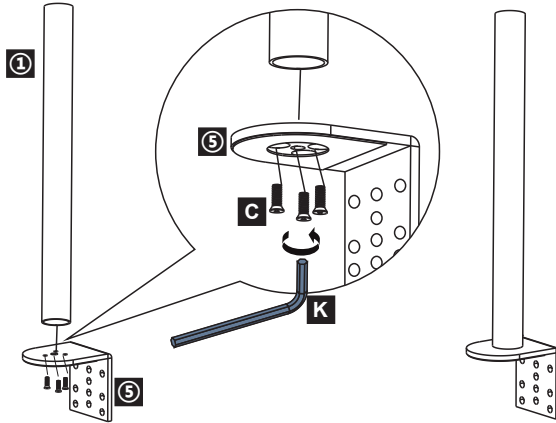
K Allen Key



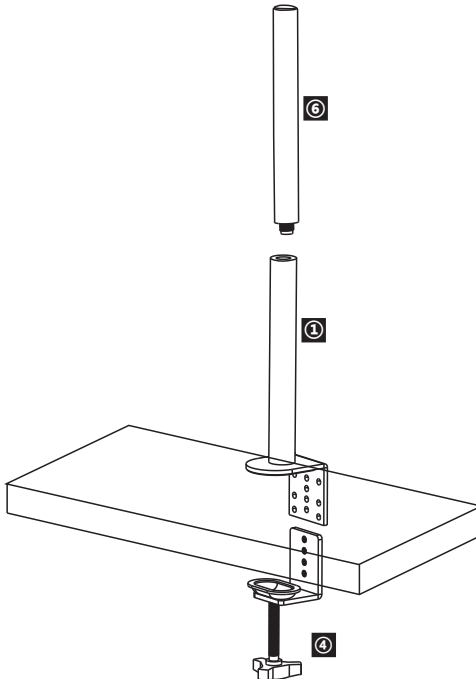
Step 1

Install the Pole to the Desktop

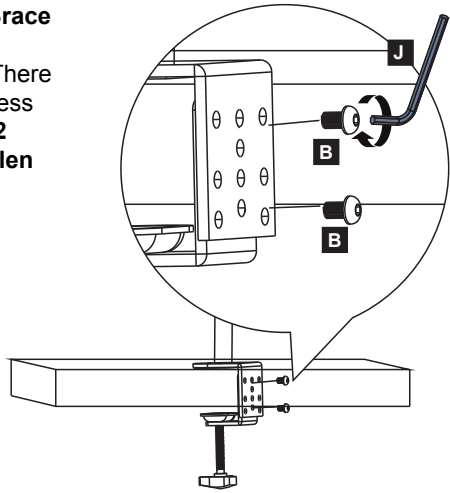
1. Secure **"C" Clamp Brace (5)** to **Pole (1)** with **M5x16 (C)** and secure tightly using **Allen Key (K)**.



2. Screw **Extended Pole (6)** onto **Pole (1)** securely, ensuring a tight fit.

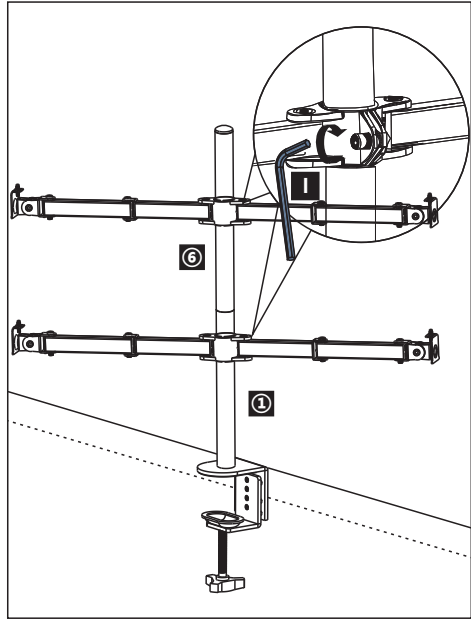
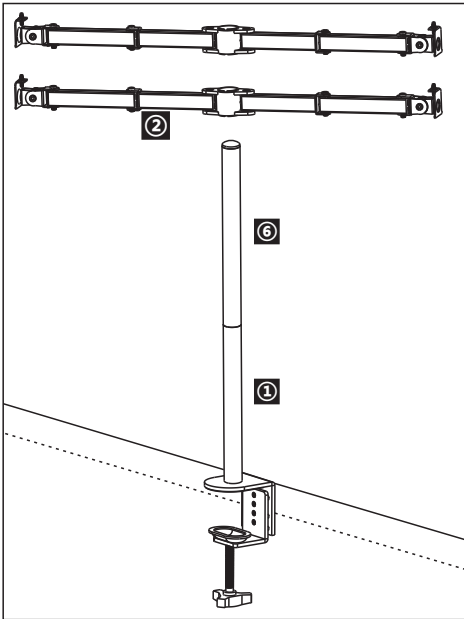


- Align "**C**" Clamp (4) and "**C**" Clamp Brace (5) on top of each other, adjusting it to match the thickness of your desktop. There are three available positions for thickness adjustment. Secure it using two **M8x12 Bolts (B)** and secure them with the **Allen Key (J)**.



Step 2 **Mount Swivel Arms to Poles**

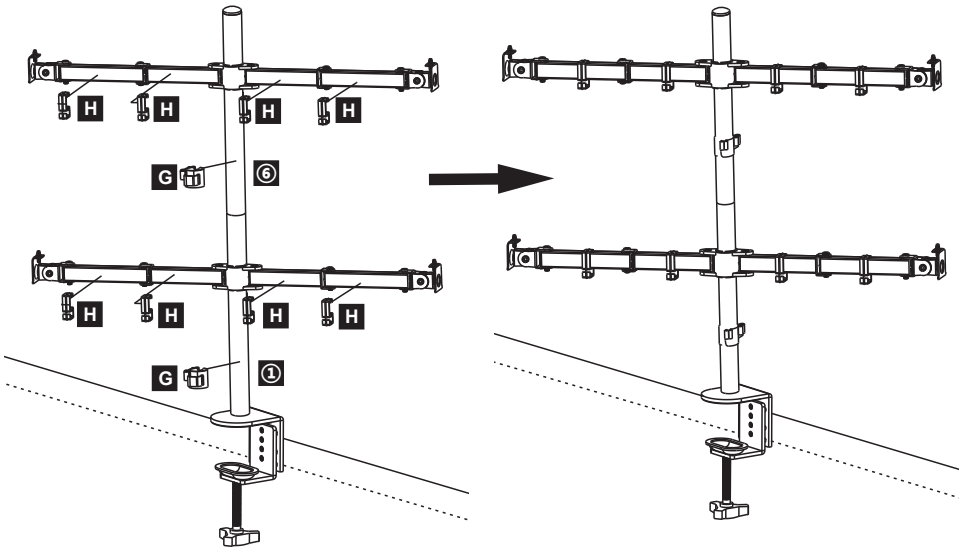
- Straighten the two **Swivel Arms (2)** and attach them to **Poles (1,6)**.
- Use **Allen key (I)** to secure the **Swivel Arms (2)** to **Poles (1,6)**.



Step 3

Install Wire Clips

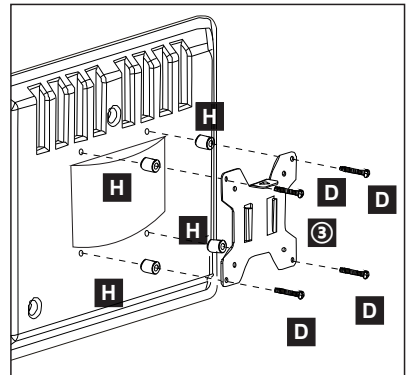
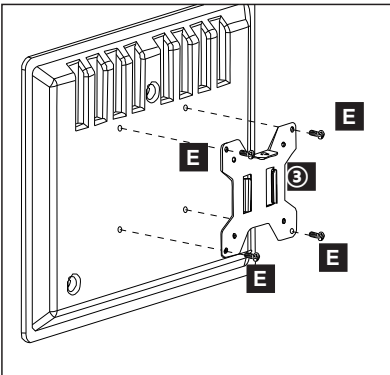
Evenly attach **Wire Clip (H)** to **Swivel Arms (2)**. Also, attach **Wire Clip (G)** to **Poles (1,6)**.



Step 4

Attach VESA Plate to Monitors

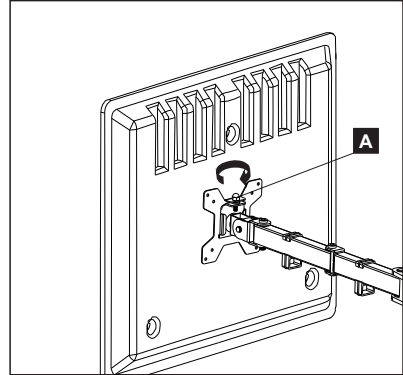
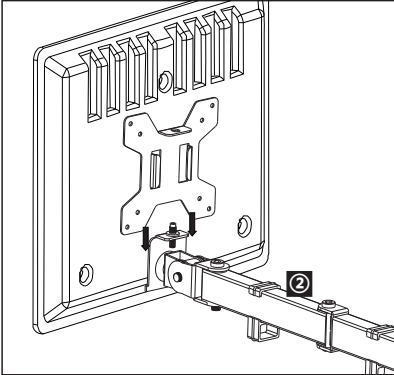
1. For flat-back monitors, directly attach **VESA Plate (3)** to the monitor and secure firmly using **M4x12 Bolts (E)**.
2. For curved-back monitors, add **M4 Spacer (F)** and then **VESA Plate (3)**. Secure firmly using **M4x30 Bolts (D)**.



Step 5

Align Swivel Arm with VESA Plate

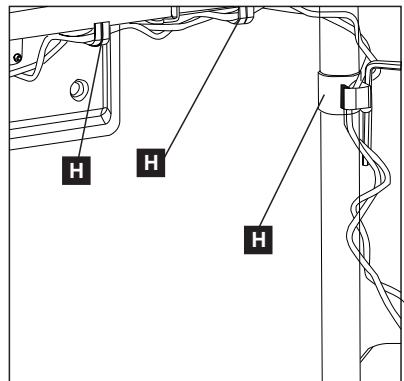
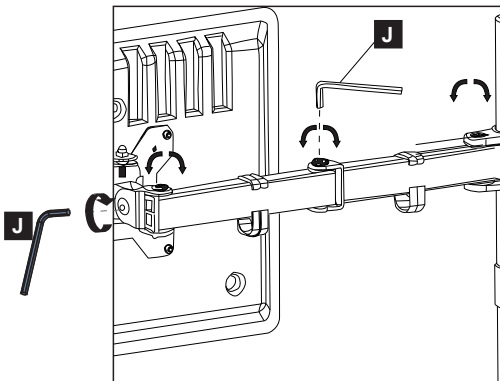
1. Slide the monitor onto **Swivel Arm (2)**, make sure **Swivel Arm (2)** aligns with **VESA Plate (3)**
2. Secure **Swivel Arm (2)** to **VESA Plate (3)** with **M6 Nut (A)**. Make sure to install **M6 Nut (A)** before rotating the monitor.



Step 6

Organize Wires and Store Allen Keys

1. Make necessary adjustments using **Allen Key (J)**, ensuring all bolts are tightened.
2. Organize wires and store **Allen Keys (I, J, K)** in **Wire Clip (G)** for future use.



SERVICE AND WARRANTY

Douxé provides a 2-year warranty on its products. To get service during the warranty period, the product needs to be returned with a proof of purchase. Product defects must be reported within 2 years from the date of purchase. This warranty does not cover damages caused by misuse or incorrect repair, parts subject to wear, defects that the customer was aware of at the time of purchase; damages or defects caused by customer neglect; damages or defects caused by third parties.

DISPOSAL - RECYCLE

Contribute to a cleaner living environment! Do not dispose of the Monitor stand with the household waste. For proper recycling, please contact your local authority or your household waste disposal service for further details on your nearest designated collection point.

DISCLAIMER

Changes reserved; specifications are subject to change without stating grounds for doing so.

Douxé II
Koperstraat 26 3067GL Rotterdam
The Netherlands KVK: 80934382
Contact: Info@douxé.nl
Website: www.douxé.net