

Assembly Manual For Box A

Max. Capacity: 175 Kg / shelf / level Art No.: 323274,323275,323276,323277

Parts List – for 2 Shelves

A x16 	C x20 	E x10 	 Tools not included
B x20 	D x10 	F x8 G x16 M x4	

1

2

3 Option 1
(Option 2 see the manual in BOX B)

Connect two shelves back to back or side by side to create a run of shelves

Not included
 min 5x45 min Ø 8
 max: 65mm
 min: 1/2H ± 60mm

WARNING

✓	✗

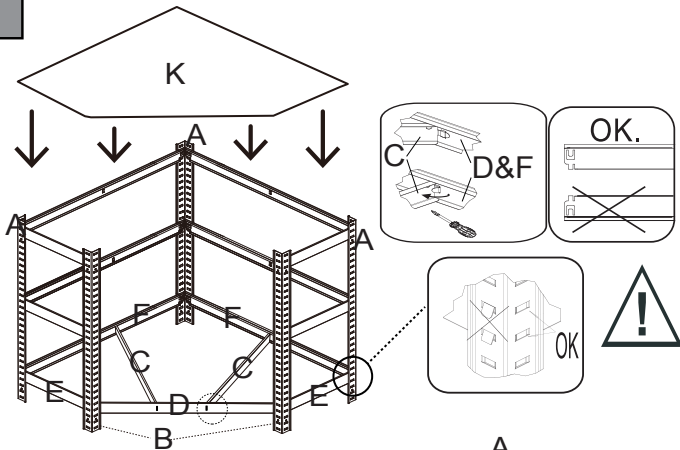
Assembly Manual For Box B

Max. Capacity: 175 Kg / shelf / level Art No.: 323274,323275,323276,323277

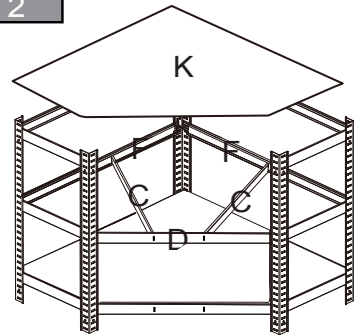
Parts List – for 1 Shelf

A x6	C x10	E x10	G x2	I x4	K x5
B x4	D x5	F x10	H x3	J x6	

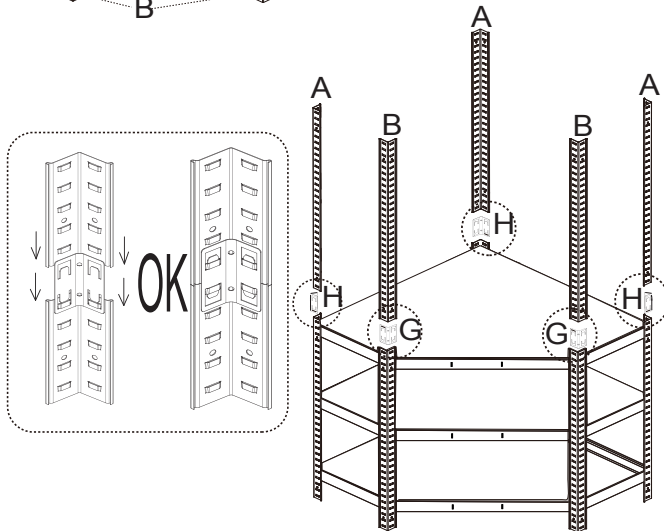
1



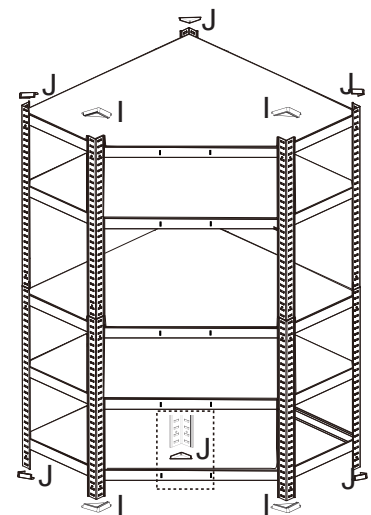
2



3



4



5

Option 2 (Option 1 see the manual in BOX B)

