

# Art.-Nr.: 3103

Bathroom lamp

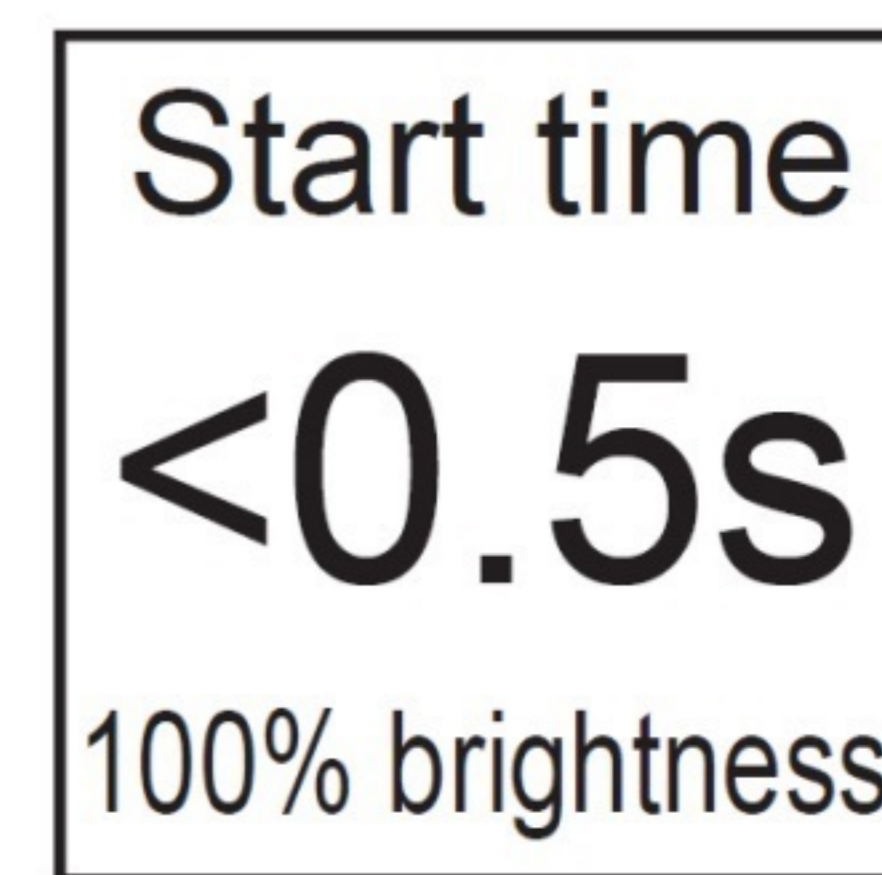
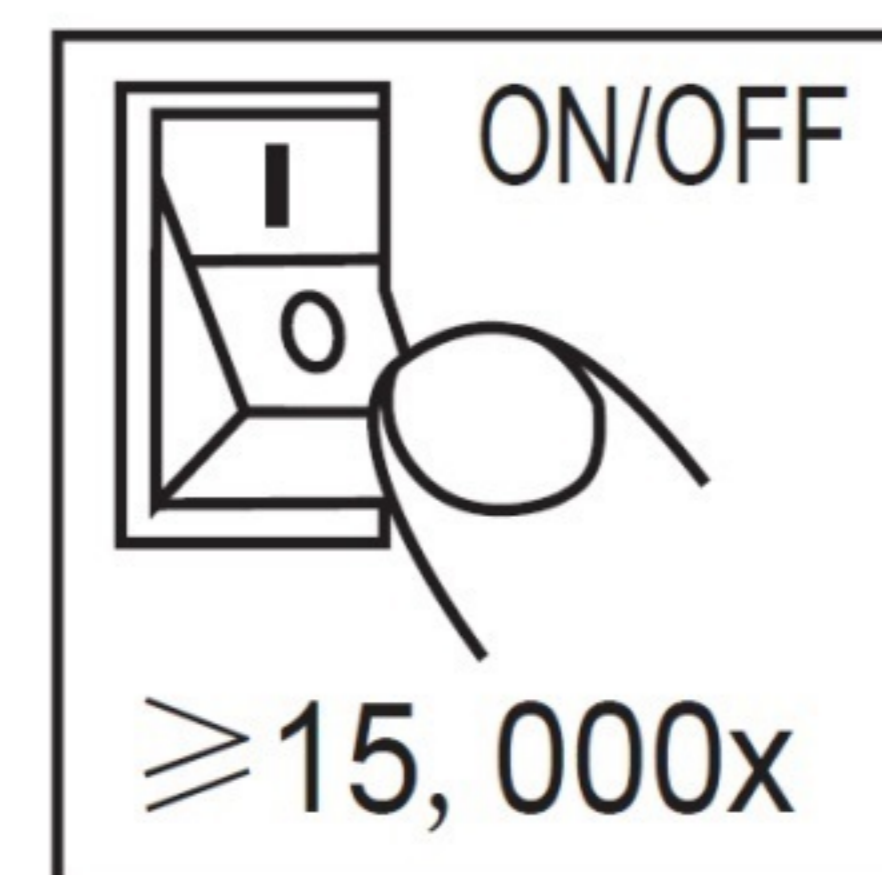
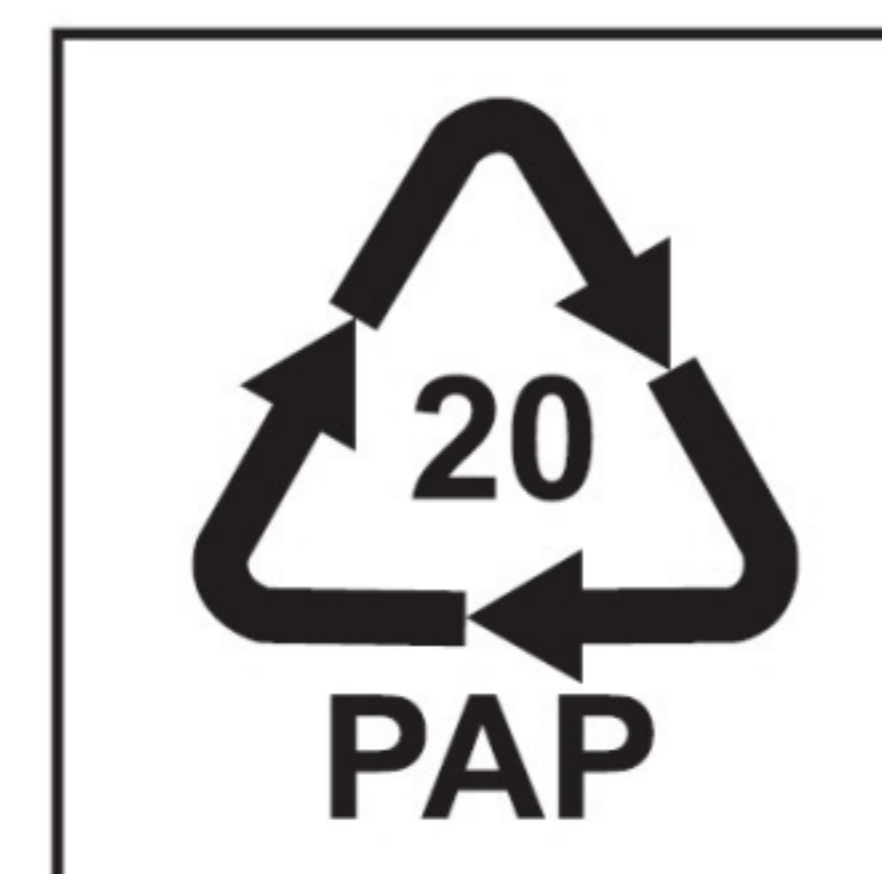
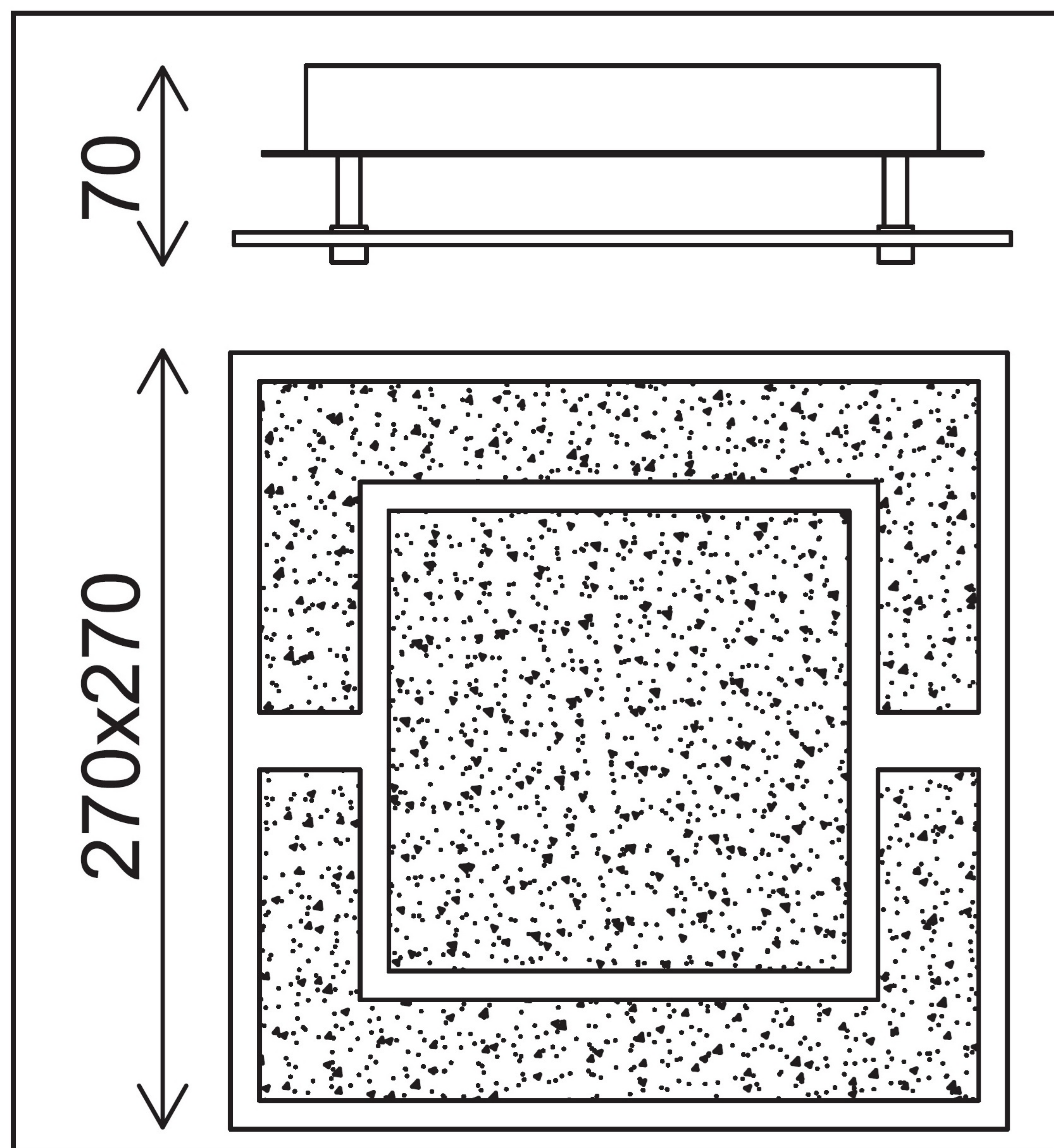
Chrome/White glass effect  
incl 3 step switch dimming  
(100%-50%-15%)

Input 230V~50Hz/IP44

LED/3000K/1200LM/Ra>80/

max.12W

Life time :  $\geq 20000$  h



Trango GmbH  
Jakobsberg 1  
D-59929 Brilon  
[www.trango.de](http://www.trango.de)

