

# GOLDELUX

Manufacturer: Cixi Gaobei Electrical Co., Ltd  
Address: Fuhai Industrial Zone, Cixi City  
Tel: 400-6621-080



# Dehumidifier

**GB-BX08**

## **Instruction Manual**



Please read this Instruction Manual carefully before using the product, and keep it well for future reference.

# Contents

Product Introduction.....	2
Working Principle.....	2
Technical Parameter.....	2
Instructions for Use.....	2
Notes.....	3
Structural Sketch.....	4
Product Maintenance.....	5
Common Failure Guideline.....	5
Warranty Article.....	6
Warranty Card.....	6

## Product Introduction

This company launches desk harmonious dehumidifier. Its outlook is dainty and easy to carry, saving energy and protection environment. The colorful atmosphere LED light with quick dehumidifying effect. The machine absorbs the wet air by fans. After eliminating the water vapor in the air, it sends out dry and clean air. It can remove molds brought by wet environment to create comfortable and healthy living surrounding. It is suitable for families, offices and similar places.

## Working Principle

The dehumidifier can remove the wetness in the air. Its basic working principle is to make the wetness condensate to low-temperature surface. That is, it sucks the wet air into the machine by fans and through the heat exchanger, at this time the water molecules in the air condensates to water drops and eliminate the dry air after treatment out of the machine. In such cycle it makes the indoor temperature to keep at appropriate relative humidity. It is suitable for families, offices and similar places.

## Technical Parameter

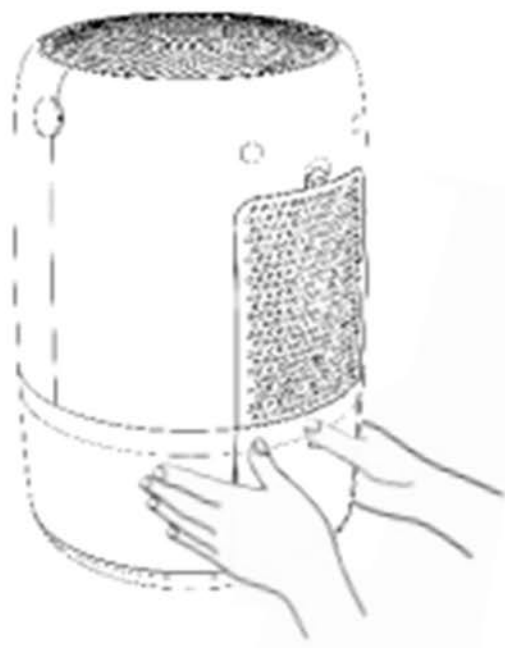
Name: Dehumidifier	Model: GB-BX08
Rated voltage: 220V~	Rated power: 40W
Water quantity capacity: 1100mL	Net weight/gross weight: 1.4kg/1.7kg
Product size: 260×160×160mm	Dehumidification amount: 270ml/day ( 30°C, 80%RH)

## Instructions for Use

Check whether the parts are full and intact.

- ① Connect the product to power, it does not work and the blue light lit, meaning the machine powers on
- ② Lightly touch the operating key "⏻", to open the machine, the green light lit, meaning the machine is working. The colorful light changes;
- ③ And then lightly touch the operating key "⏻", to open the machine, the green light lit, meaning the machine is working. The colorful light stops to change, and the color stays;

- ④ And then lightly touch the operating key "⏻", to stop the machine, the blue light lit, meaning the machine powers on;
- ⑤ Under the "ON" condition, long press "⏻", all lights extinguished, and fan sound lowers;
- ⑥ When the water is full, the RGB light lit red, and the indicating light lit red light
- ⑦ Pouring water steps in water tank



Sketch One



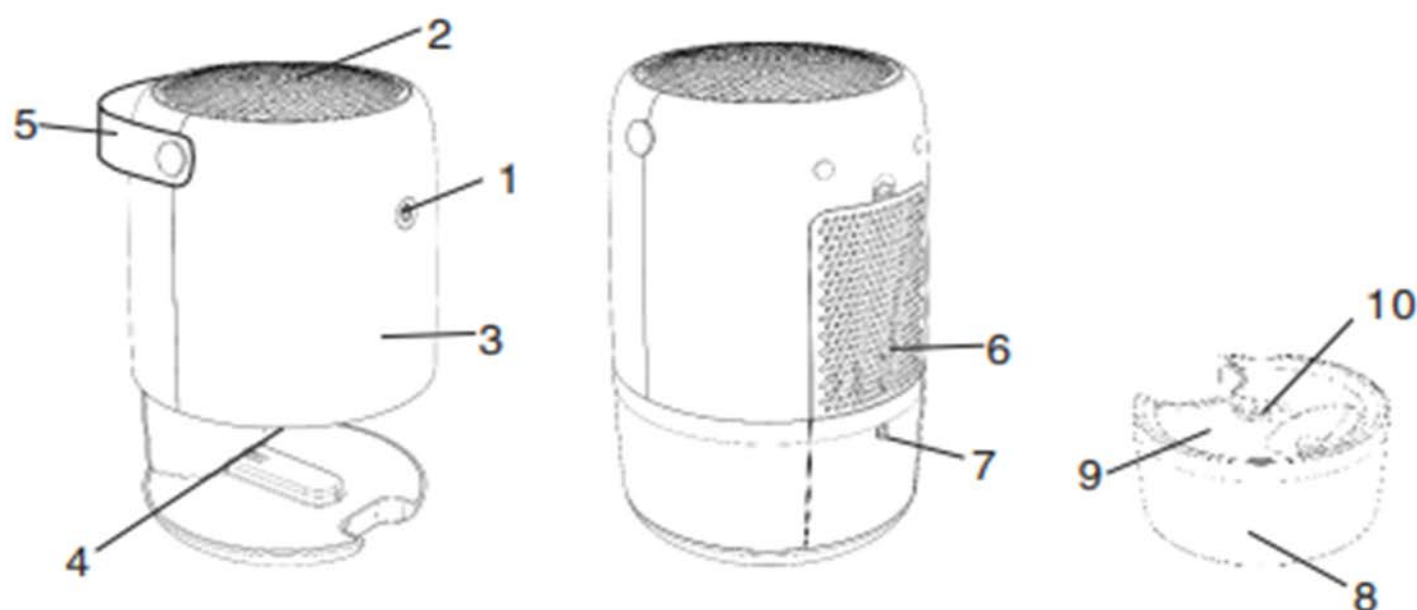
Sketch Two

## Notes

1. Please check whether the voltage that you use conforms to the product's nameplate required before using for the first time.
2. If the power cord is damaged, in order to avoid danger, it must be replaced by the manufacturer or the professionals in the Maintenance Department.
3. Do not use in places where the curtain and so on can be easily absorbed into. There's obstacle around and unstable places should be avoided.
4. This product is strictly forbidden to be used in inflammables and explosives surroundings, and the usage environment is not suitable to be over 40 degrees. The dehumidifier's best using temperature scope is 15°C~40°C.
5. Please do cut off power and pull off the power plug if leaving or not using for a long time.
6. Must ensure the machine disconnects with the power in case of power outage or moving.
7. Please check whether the power line and plug is broken before using.
8. Please do not wind or pull the cords to avoid poor contact.
9. The inclination angle in use cannot be over 10 degrees, cannot put down to use, it should be placed in flat plane to use.

10. Cannot shield air inlet and outlet in use, to avoid dehumidifier air exhaust not smooth and cause the internal temperature too high.
11. The power should be turned off before pulling out the plug; do not pull the power cord, instead, the plug head should be held to pull out.
12. Do not use wet hands to pull the power plug, there's electric shock danger.
13. Do not use thin bar or iron wire to draw the machine inside in use, to avoid failure happening or in danger.
14. Children should be monitored to ensure they will not play with the machine.
15. This machine is not intended to be used by people (including children) with physical, sensory or intellectual deficit, or lack of experience and common sense, unless they are given enough care by their safety responsible persons and guided how to use this machine.
16. When there's stain on the dehumidifier surface, a soft cloth in soap liquid can be used to wipe out. Do not use organic solutions like gasoline or alcohol.
17. Do not use in places with low temperature, a lot of dirt, or volatile acid, alkaline or oil.

## Structural Sketch



- |               |               |                    |         |
|---------------|---------------|--------------------|---------|
| ① ON/OFF      | ④ LED light   | ⑦ AC hole          | ⑩ Float |
| ② Air outlet  | ⑤ Handle belt | ⑧ Water tank       |         |
| ③ Front shell | ⑥ Air inlet   | ⑨ Water tank cover |         |

## Product Maintenance

Please do cut off power before maintenance

1. If the machine has oil stain, it must be cleared, to avoid color change or broken.
2. Use neutral cleanser to wipe, and then use clean and soft cloth to wipe.
3. After the maintenance and clean, place the parts according to the original packing sequence into the packing box, and then put in dry places to keep well.
4. This machine only needs to do general outside clean and maintenance.
5. Do avoid to wash with water directly, avoid acidity or alkaline solutions to wipe, to avoid causing color change or broken.

## Common Failure Guideline

Failure Phenomenon	Common Problem Reason	Handling
The machine can't be opened	The power is not plugged in or poor contact	Plug in to ensure good contact
	Poor contact of on/off key	Check the on/off key
	The machine is damaged	Send to maintenance point to repair
The machine can't be closed	Poor contact of on/off key	Check the on/off key
	The machine is damaged	Send to maintenance point to repair
	The circuit board is damaged	Send to maintenance point to repair
Fans have abnormal noise	There's foreign body to contact fans	Remove foreign body
Indicating light is not lit	The light is damaged	Send to maintenance point to repair

## Warranty

Respected User:

Thank you very much for buying and using the dehumidifier produced by our company and thank you for your support for our company!

During your use, if the machine has troubles, please contact the after-sales service center of our company timely, and we will provide you with quality service. Our company strives to provide quality service of "one year maintenance of the machine" to you.

## Warranty Principle

1. You will get free maintenance service for all the troubles and damages due to the product's quality issues in normal use condition within one year of your buying date.
2. The machine warranty except consumables.
3. When repairing, please attach the warranty card and invoice buying certificate.

The triple-pack is not executed if belong to one of the following three conditions. It executes charged maintenance.

1. Failures or damages due to erroneous installation, operation or under working environment not stipulated by the product.
2. Damages due to dismantling machine to repair or conversion at will
3. Damages due to errors or using inappropriate parts.
4. Without warranty card or altering the content in warranty card at will.
5. Damaged due to force majeure.



After sale application form

User Name/Buyer ID:

User Tel:

Product Model:

Purchasing Order No.:

Purchasing Date:

User Address:

Trouble Description: