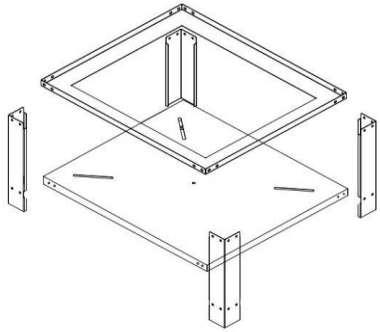


# Washing machine stand instruction

Code

Parts

Quantity



A



4

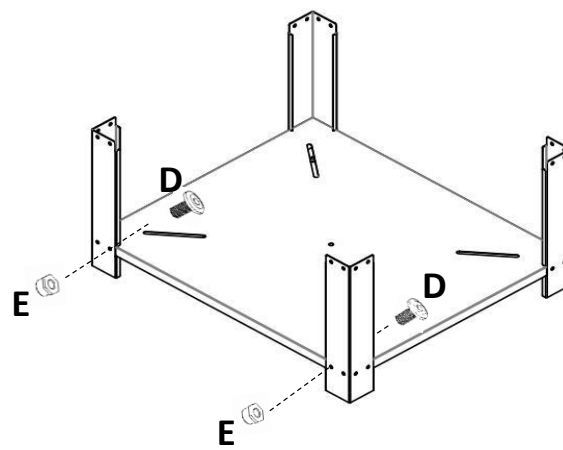
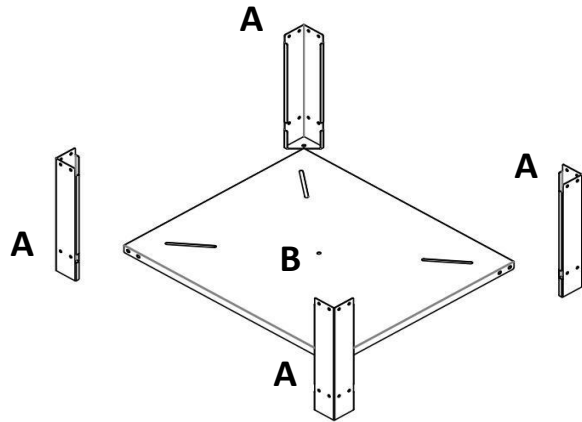
B



1

1

2



C



1

D



32

E



32

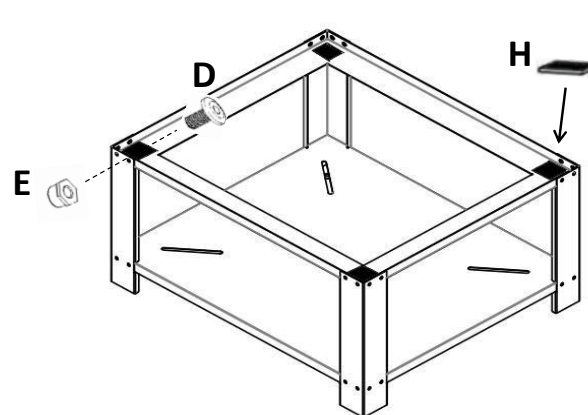
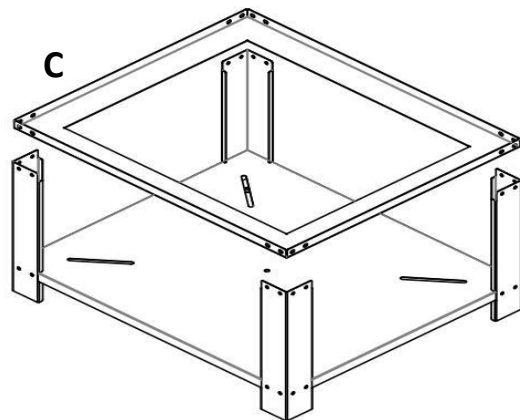
H



4

3

4



I



2