

The Nedis logo is written in a lowercase, cursive-style font.

## Double-walled Water Kettle

Article number: KAWK361EBK



**CE** Nedis BV  
De Tweeling 28, 5215 MC 's-Hertogenbosch, The Netherlands

### Preface

Thank you for purchasing the Nedis KAWK361EBK.

This document is the user manual and contains all the information for correct, efficient and safe use of the product.

- Ensure you have fully read and understood the instructions in this document before you install or use the product. Keep the packaging and this document for future reference.

### Product description

#### Intended use

The Nedis KAWK361EBK is an electric water kettle for boiling water.

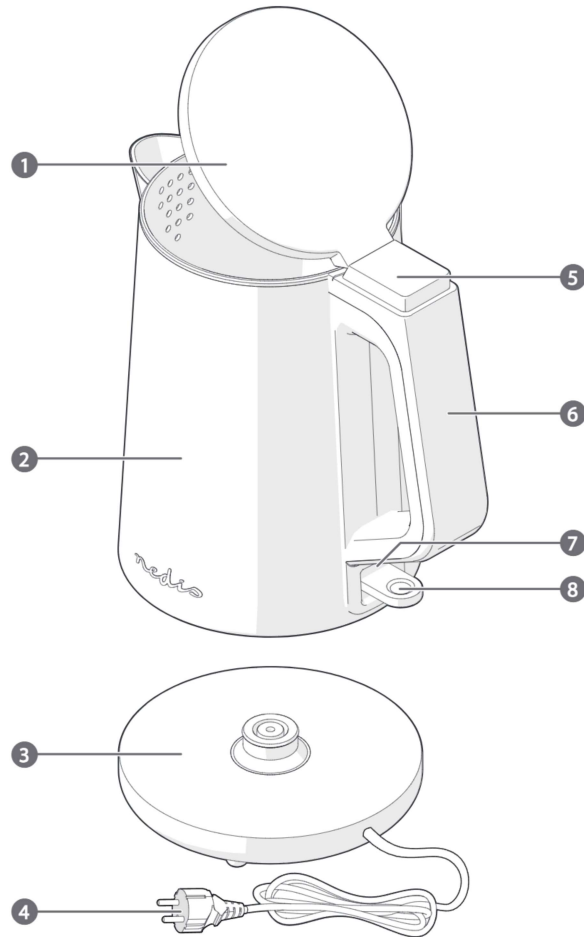
The product is intended for indoor use only.

Any modification of the product may have consequences for safety, warranty and proper functioning.

This product is not intended for use by persons (including children) with reduced physical, sensory or mental capabilities or lack of experience and knowledge, unless they have been given supervision or instruction concerning the use of the product by a person responsible for their safety.

The product is intended for use in household environments for typical housekeeping functions that may also be used by non-expert users for typical housekeeping functions, such as: shops, offices other similar working environments, farm houses, by clients in hotels, motels and other residential type environments and/or in bed and breakfast type environments.

## Main parts (image A)



### A

- 1 Lid
- 2 Kettle
- 3 Base plate
- 4 Power cable
- 5 Lid release button

**8** On/off switch

## Safety instructions

**⚠** WARNING

- Ensure you have fully read and understood the instructions in this document before you install or use the product. Keep the packaging and this document for future reference.
- Only use the product as described in this document.
- Any other use of the product than described in this user manual is regarded as unintended use and may cause injury or damage to the product and void the warranty.
- Do not use the product if a part is damaged or defective. Replace a damaged or defective product immediately.
- Do not touch the hot parts of the product directly.
- • Never fill the kettle over the “max”. Otherwise hot water can spill out of the kettle.
- • Do not remove or open the lid while the water is heating up and when pouring out hot water.
- • Be careful when moving the kettle with hot water. Avoid spillage.
- • Be careful when opening the lid, hot steam may escape.
- • Place the product on a stable and flat surface.
- • Children should be supervised to ensure that they do not play with the product.
- • Cleaning and user maintenance shall not be done by children without supervision.
- Do not let children play with the packaging material. Always keep the packaging material out of the reach of children.
- Before plugging into a power outlet, check whether the power supply voltage corresponds with the voltage printed at the bottom of the product.
- If the power cable is damaged, it must be replaced by the manufacturer, its service agent or similar qualified persons in order to avoid a hazard.
- Do not open the product, there are no user serviceable parts inside.
- This product may only be serviced by a qualified technician for maintenance to reduce the risk of electric shock.
- Disconnect the product from the power source before cleaning.
- Do not immerse the product in water or other liquids.
- Do not use the product without water in the kettle to prevent damaging the heat elements.

• Do not leave the power cable hanging over the table edges to prevent the appliance from being pulled down. Make sure that neither the appliance nor power cord or plug comes into contact with hot surfaces, such as hotplates or a radiator, or that they come into contact with the appliance itself.

- Always keep the power cable and the product away from usual walkways.
- Avoid spillage on the power connector and the base plate.
- Only use the product with the provided base plate.
- Descale your kettle regularly.

---

## Installation

---

### Check the contents of the package

Check that all parts are present and that no damage is visible on the parts. If parts are missing or damaged, contact the Nedis B.V. service desk via the website: [www.nedis.com](http://www.nedis.com).

---

## Use




---

### Cleaning the product before first use

1. Fill the kettle to the max line.
2. Boil the water following the steps in chapter Using the product.
3. Discard the boiled water.
4. Let the product cool down completely.
5. Clean the outside of the product with a soft clean, damp cloth.

---

## Using the product

1. Place the product on a stable and flat surface.
2. Press the lid release button **A5** to open the lid **A1**.
3. Fill the kettle **A2** with clean water.
  -  Always fill the kettle between the minimum (0.5 L) and maximum (1.5 L) marks.
  -  Never fill the kettle over the "max". Otherwise hot water can spill out of the kettle.
  -  Always use the kettle with the lid **A1** closed.

- Place the kettle on the base plate.
- ⚠️ Avoid spillage on the power connector and the base plate.
  - ⚠️ Before plugging into a power outlet, check whether the power supply voltage corresponds with the voltage printed at the bottom of the product.
  - 5. Connect the power cable **A4** to a power outlet.
  - 6. Press the on/off button **A8** to switch on the product.
  - 7. The Power indicator LED **A7** lights up to indicate the power is on.
  - i** The kettle heats up until the water boils.
  - 8. Ensure the product is switched off before removing the kettle **A2** from the base plate **A3**.
  - ⚠️ Be careful when opening the lid **A1**, hot steam may escape.
- 

## Maintenance

- ⚠️ Disconnect the product from the power source before cleaning.
  - ⚠️ Do not use aggressive chemical cleaning agents when cleaning the product.
  - ⚠️ Do not immerse the product in water or other liquids.
  - Clean the product regularly with a soft, clean, dry cloth. Avoid abrasives that can damage the surface.
  - 
  - 
  - 
  - 
  - 
  - 
  - 
  - 
  -
- 

## Descaling the product

- i** Descale your kettle regularly.
- 1. Let the product cool down completely.
- 2. Fill the kettle **A2** with 700 ml of white vinegar.
- 3. Add 800 ml of water to the kettle **A2** to fill it up to the max indicator.
- 4. Boil the water following the steps in chapter Using the product.
- 5. Allow the mixture to sit overnight.
- 6. Discard the mixture.
- 7. Fill the kettle **A2** with clean water.
- 8. Discard the water.
- 9. Repeat step 7 - 8 until the odor of vinegar has been flushed away.

Any changes and/or modifications to the product will void the warranty. We accept no liability for damage caused by improper use of the product.

This product is intended for private use only (normal domestic use). Nedis is not liable for wear and tear, defects and/or damage caused by commercial use of the product.

---

## Disclaimer

Designs and specifications are subject to change without notice. All logos, brands and product names are trademarks or registered trademarks of their respective owners and are hereby recognized as such.

---

## Disposal



The product is designated for separate collection at an appropriate collection point. Do not dispose of the product with household waste. For more information, contact the retailer or the local authority responsible for the waste management.

