

# Wooden Kitchen Toy

## Assembly instructions

Please retain this information for future reference

### WARNING:

#### CHOKING HAZARD - Small parts.

Not for children under 3 years.  
Adult assembly by hand screwdriver required.

**ATTENTION:** The sharp tip of screws may scratch hands.

Tighten all the screws before giving this to a child.

Do not OVER tighten screws.

Electric screwdrivers should NOT be used for assembly. Please be sure to remove packaging, all rubber bands, wire ties and tags or fastenings from the products. They are not part of this play kitchen and must be removed and discarded before giving it to your child.

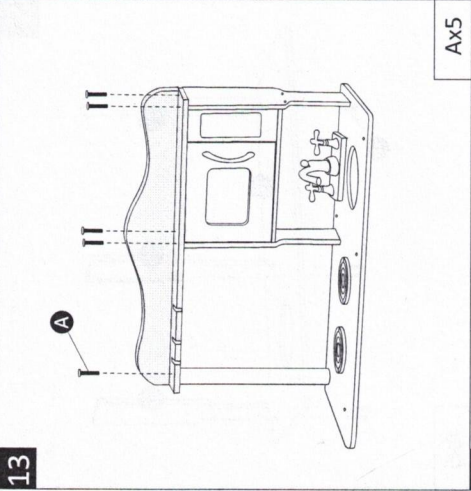
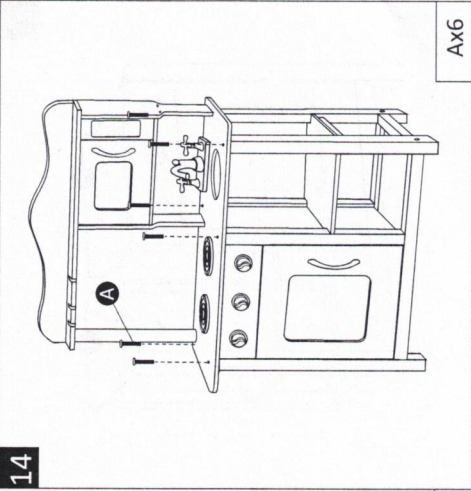
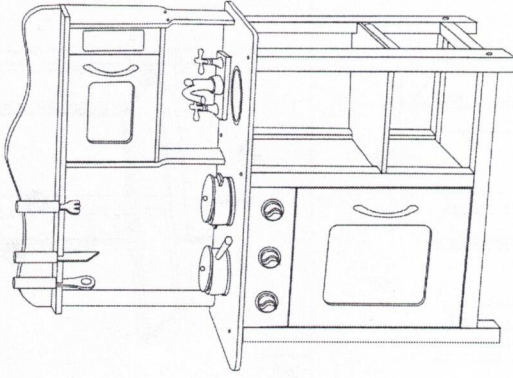
Please keep this packaging for future referenc since it contains important information. Please read enclosed instructions before use. Young children in play are unaware of potential dangers and hazards. There is responsible adult supervision is essential. Adult assembly required.

The stainless steel accessories are intended to be used in contact with food. Wash the product thoroughly before use.

Specifications, colors and contents may vary from the images shown.

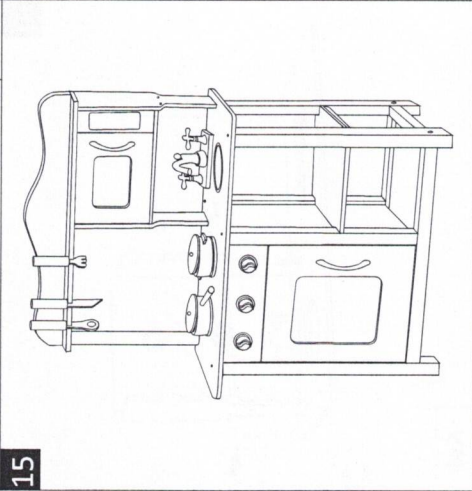
Statement of TSCA title VI Compliance  
California 93120 compliant for formaldehyde Phase 2

www.worldmarket.com



Ax6

Ax5



15

