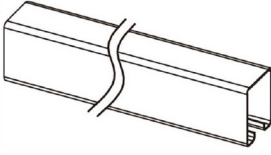
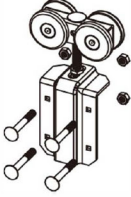
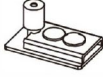






Box Track Barn Door Hardware Installation

Installation Instructions for Single Box Track Kit

Set Includes

 <p>1 x Heavy Duty Box Track</p>	 <p>2 x Double Axle Box Track Hangers</p>	 <p>2 x Track Mount Door Stops</p>	 <p>2 x Floor Guides</p>	
		 <p>(B.1) Single Box Track Brackets -Wall Mount*</p>	 <p>(B.2) Connector Bracket</p>	 <p>2 x End Caps</p>

All necessary mounting fasteners are included.
200 cm track kit includes 4 brackets, and 1 connector-bracket.

Note

Before starting, make sure to read the entirety of the installation manual before proceeding with the installation of your sliding door. Use a door wider than the opening to avoid angled views and to preserve privacy. The application, use or processing of our products as well as the implementation of your project are beyond our control and therefore fall exclusively in the installer's area of responsibility.

Wear Safety Glasses

Capacity

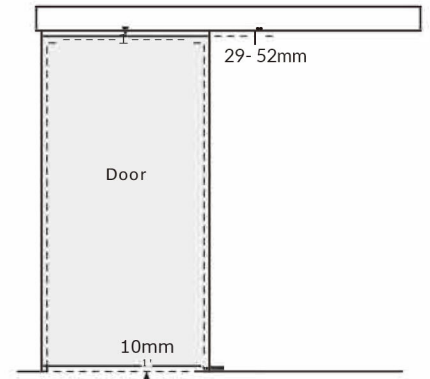
Door Thickness: Up to 5.07cm
Door Weight: 125 KG

Required

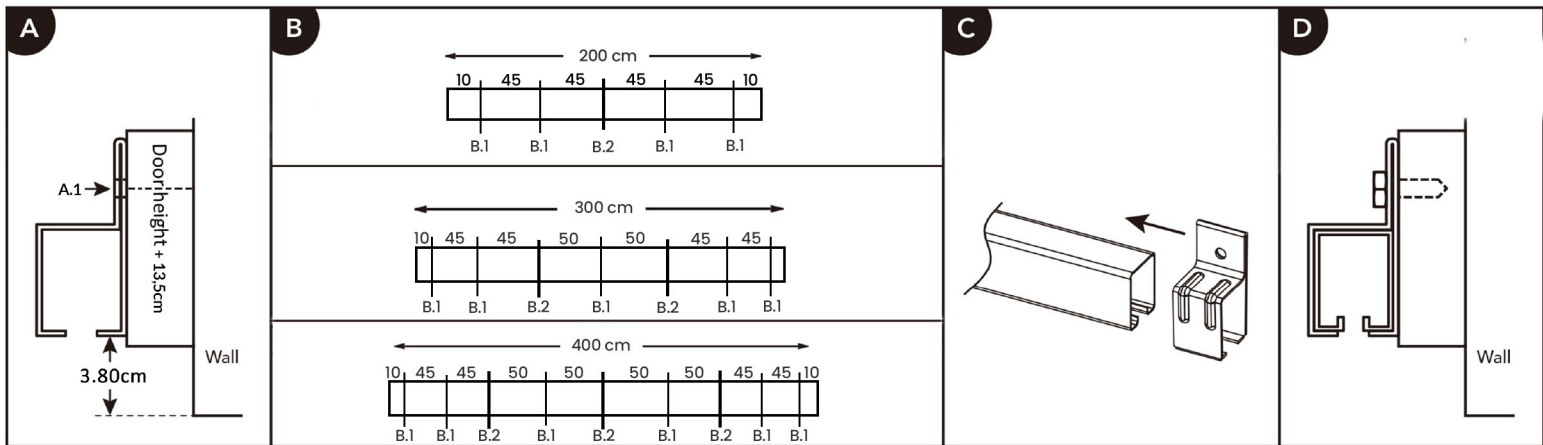
Level
Pencil
Drill Bits
Drill
Measuring Tape
Phillips Screwdriver
Adjustable Wrench

Hanging the Track

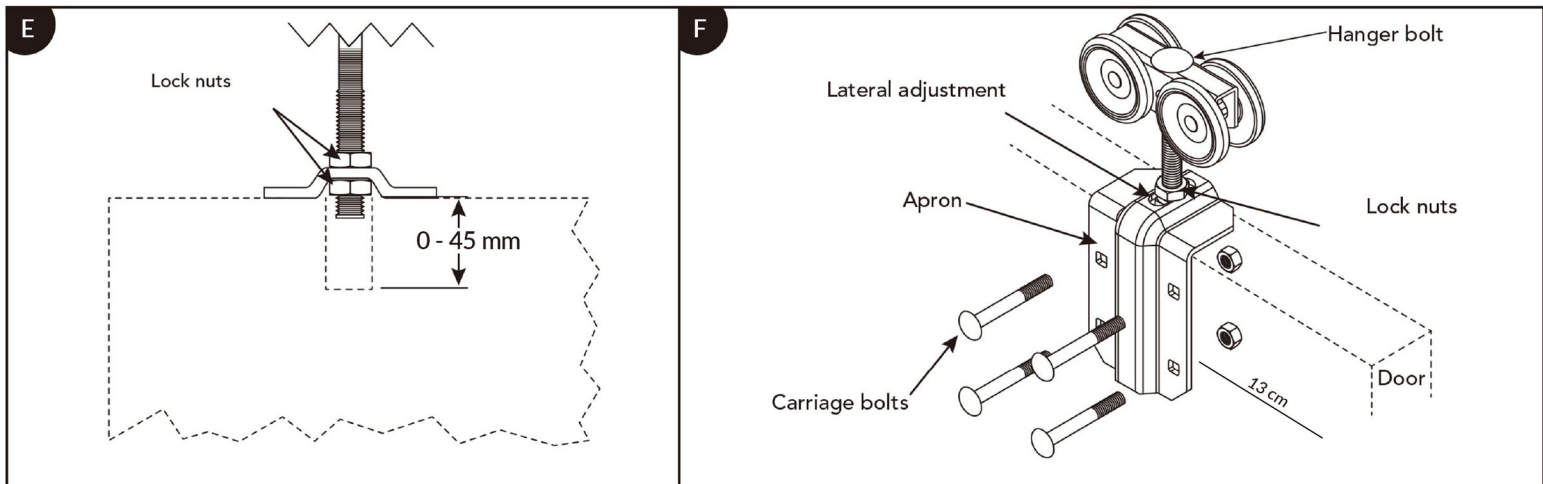
The track should be twice as long as de door width.
Recommended door thickness: 25-40mm



Box Track Barn Door Hardware Installation

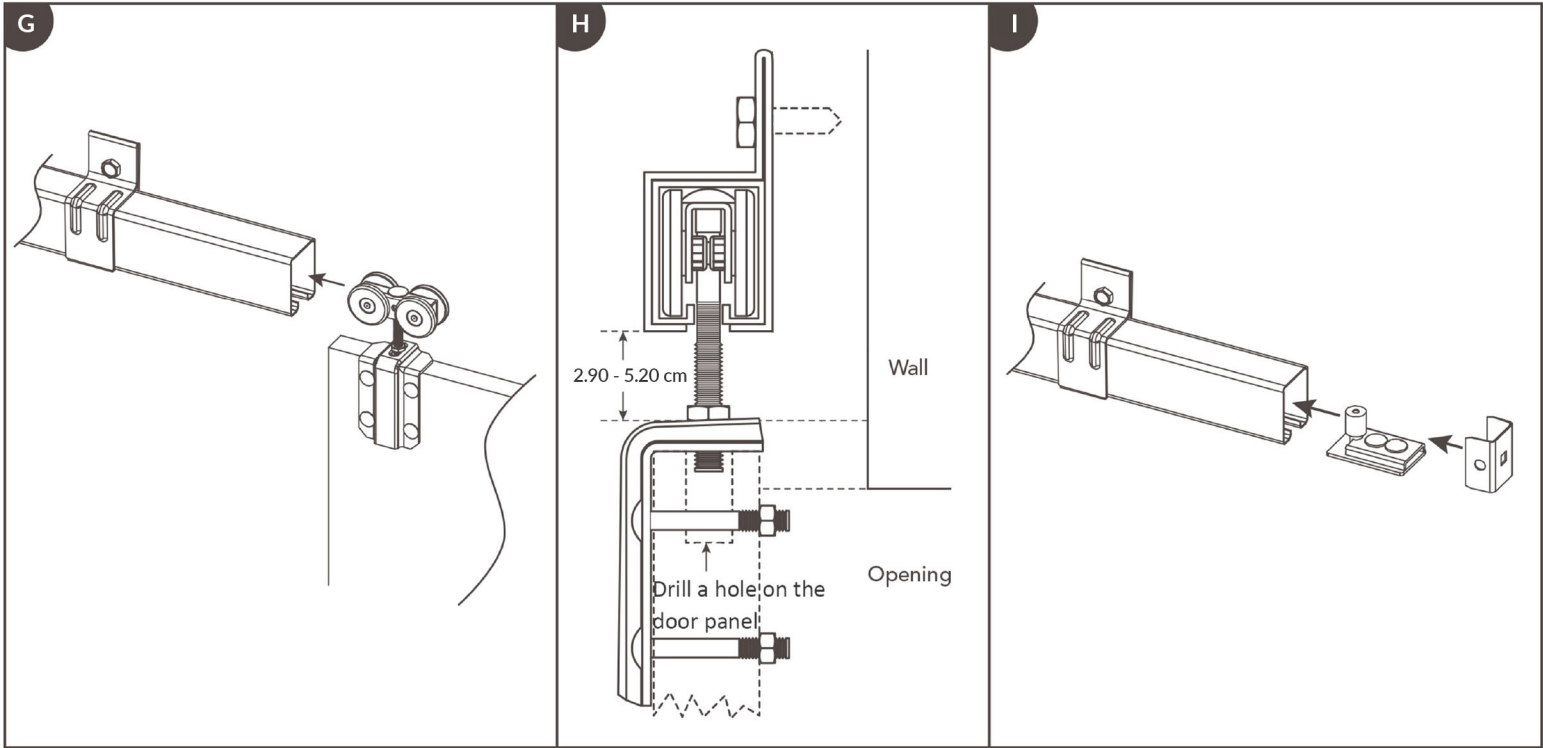


1. E.g. the gap between bottom of the bracket and the top of the door is 29 mm, the center of the hole (A.1) is at door height (H) + 13.5 cm from the floor
2. Mark screw hole locations. Be sure to align markings with a level before drilling. Note: When using all supplied brackets, the carrying capacity is max. 125 KG
3. Drill pilot holes.
4. Slide brackets onto tracks and use included lag screws to fasten assembly to structural member.

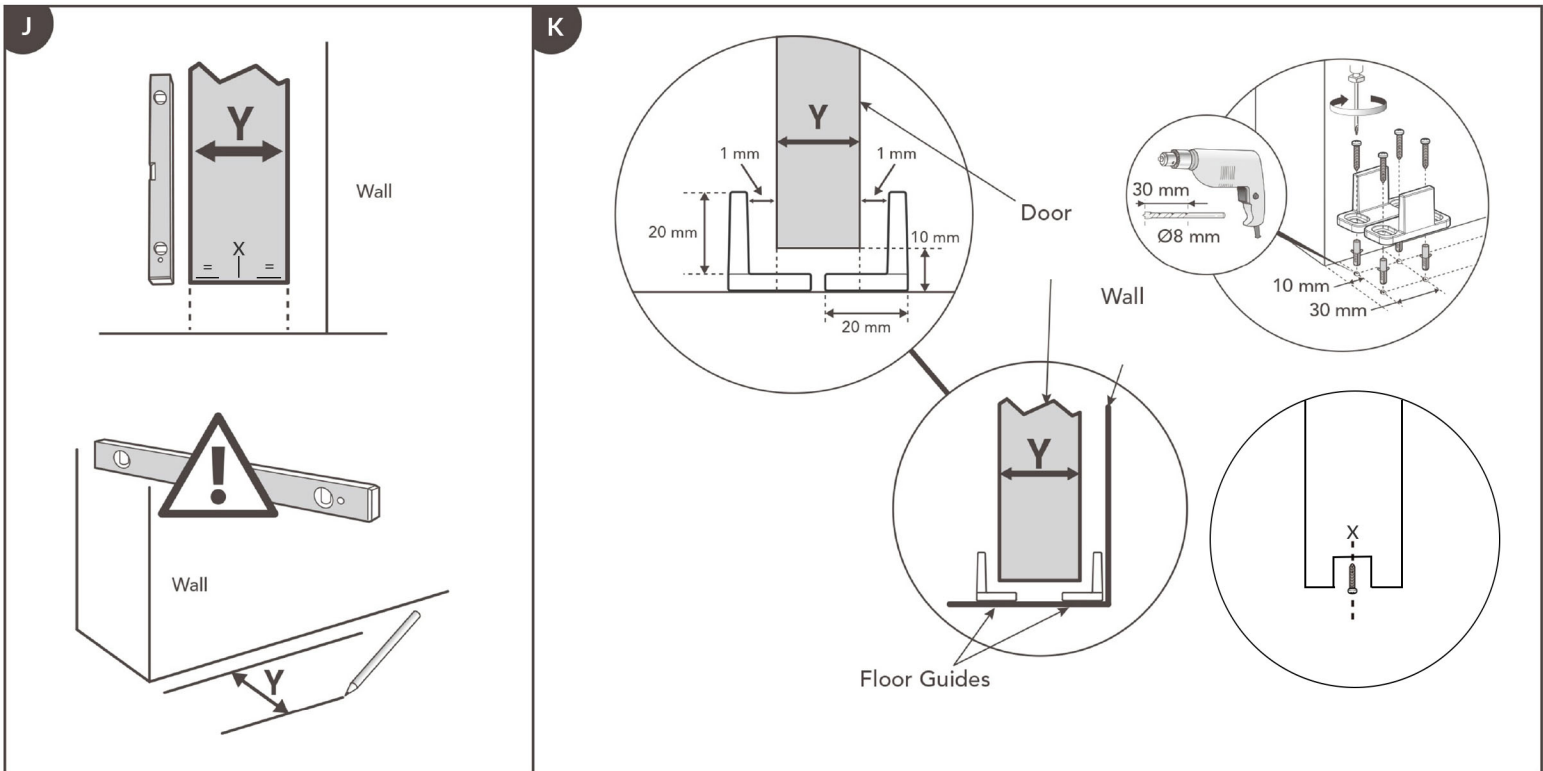


1. Assemble hanger
2. Place hangers to distribute door weight load evenly, approximately 13 cm from each door edge. This is a standard advice, you can deviate from this at your own discretion.
3. Place apron flush against the top of door, mark and drill 0.78cm through holes for carriage bolts on side of door.
4. Drill a 14 mm slot with a minimum 45 mm depth on top of door for hanger bolt to allow for full adjustment as shown in Fig. E.
5. Mount hanger on door as shown in Fig. F. Apron is mounted on the outside of the door.
6. The height of the door can be adjusted with the bolt through the hanger. The difference between the highest and lowest point is approximately 45 mm.
7. When adjustments are complete, securely tighten lock nuts against apron while holding the hanger bolt flat with a wrench.

Box Track Barn Door Hardware Installation



1. Insert door with hangers into top track.
2. Make any necessary adjustments to hanger. Recommend to make gap dimensions between apron and track: 3.80cm.
3. Insert door stops as shown and locate to desired door position stop by tightening bolts.
4. Insert end caps into track ends.



1. Mark the thickness of the door (Y) on the floor on the side where the door will slide. Use a level to make sure the lines are parallel to the wall.
2. Place guides facing each other, approximately 10 mm from edge of door opening, leaving a 1 mm clearance on each the (Y) marks.
3. Mark guide and screw location on the floor.
4. Pre-drill screw holes using a Ø8 mm x 30 mm drill bit.
5. Insert provided floor anchors in pre-drilled holes.
6. Fasten using provided screws.
7. If there is a slot in the bottom of a door, you can place the guide in the center of the door (X)