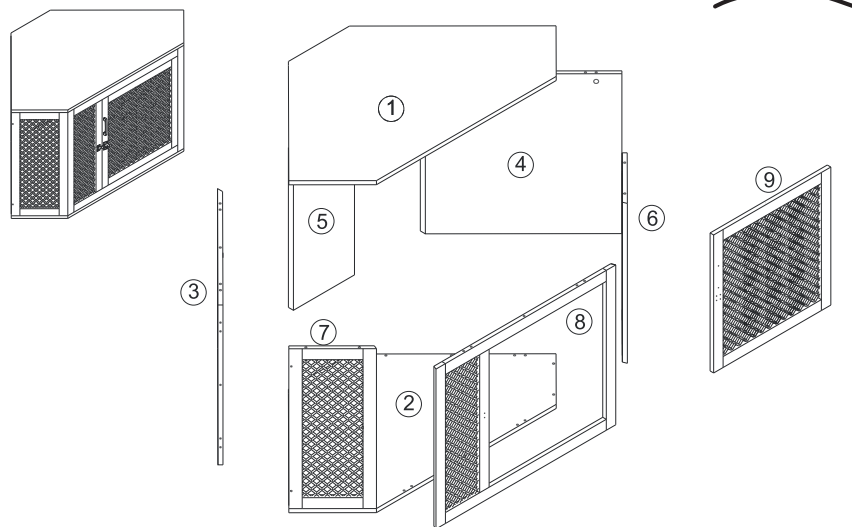
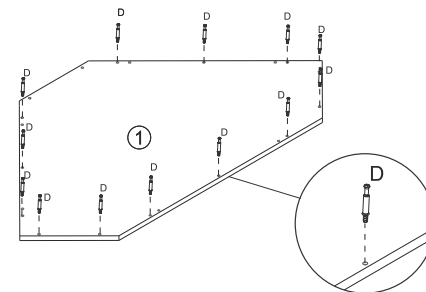


# Houten hondenbench

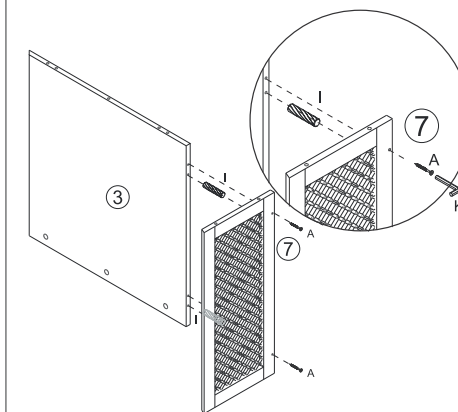


① Roof x1	② Bottom plate x1	③ Left rear side panel x1	④ Right rear side panel x1	⑤ Back plate x1
⑥ Right front side panel x1	⑦ Left front side panel x1	⑧ Door frame x1	⑨ Door x1	
K Wrench x1				
A Screw x17	B Iron sheets x2	C bolt x1	D Screw x13	E Eccentric wheel x13
F Hinge x2	G Corner code x4	H Foot pad x4	I Dowel x20	J Handle x1

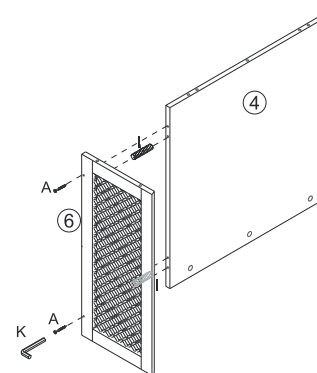
STEP 1



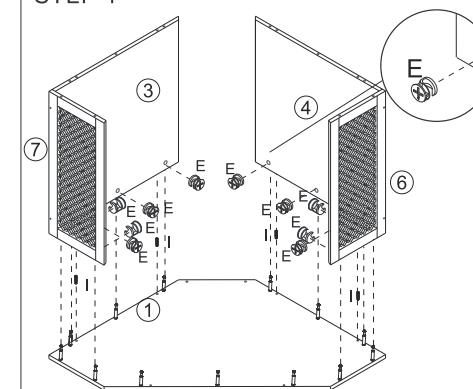
STEP 2



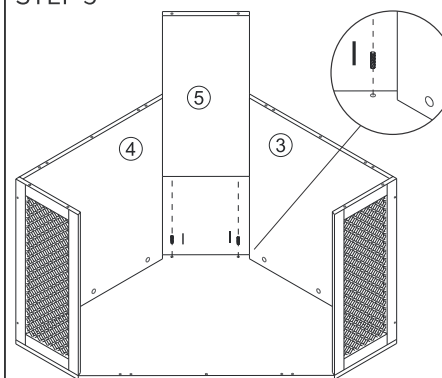
STEP 3



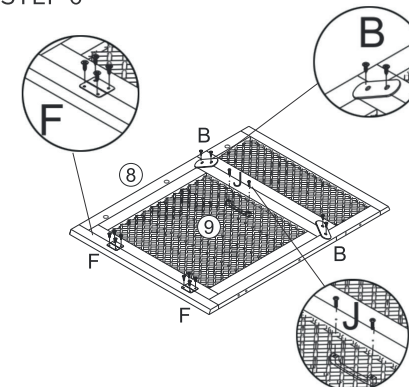
STEP 4



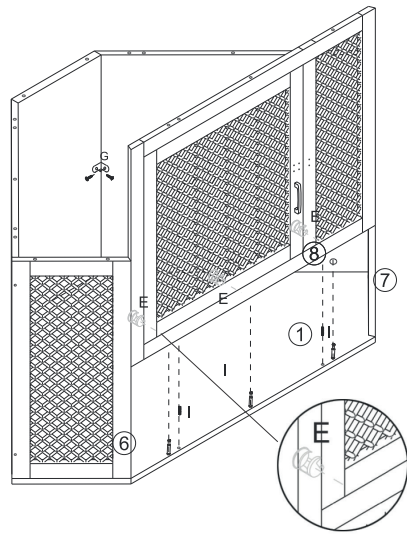
STEP 5



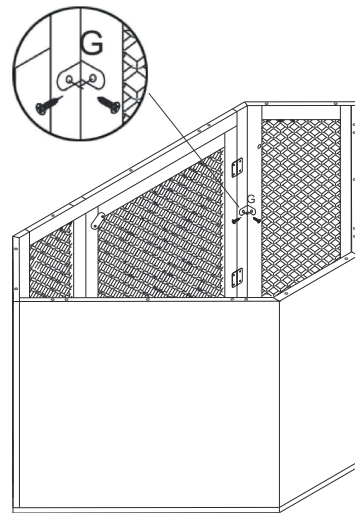
STEP 6



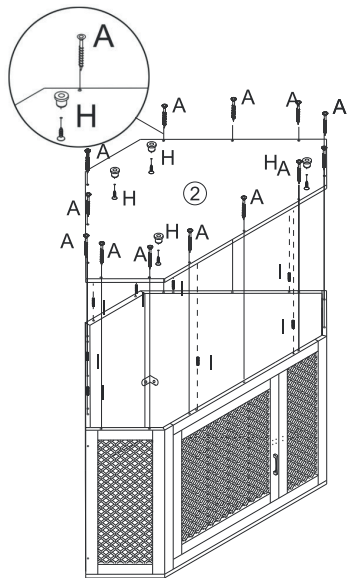
STEP 7



STEP 8



STEP 9



STEP 10

