



## EN ■ Waffle maker

*Translation of the original manual*

# Waffle maker

## Important safety instructions

### READ CAREFULLY AND STORE FOR FUTURE USE.

- This appliance may be used by children 8 years of age and older and by persons with physical or mental impairments or by inexperienced persons, if they are properly supervised or have been informed about how to use the product in a safe manner and understand the potential dangers.
- Children must not play with the appliance.
- In the event that the power cord is damaged, have it repaired at a professional service centre to prevent causing a dangerous situation. It is forbidden to use the appliance if it has a damaged power cord.
- Cleaning and maintenance performed by the user must not be performed by children unless they are older than 8 years of age and under supervision.
- Children younger than 8 years of age must be kept away from the appliance and its power cord.



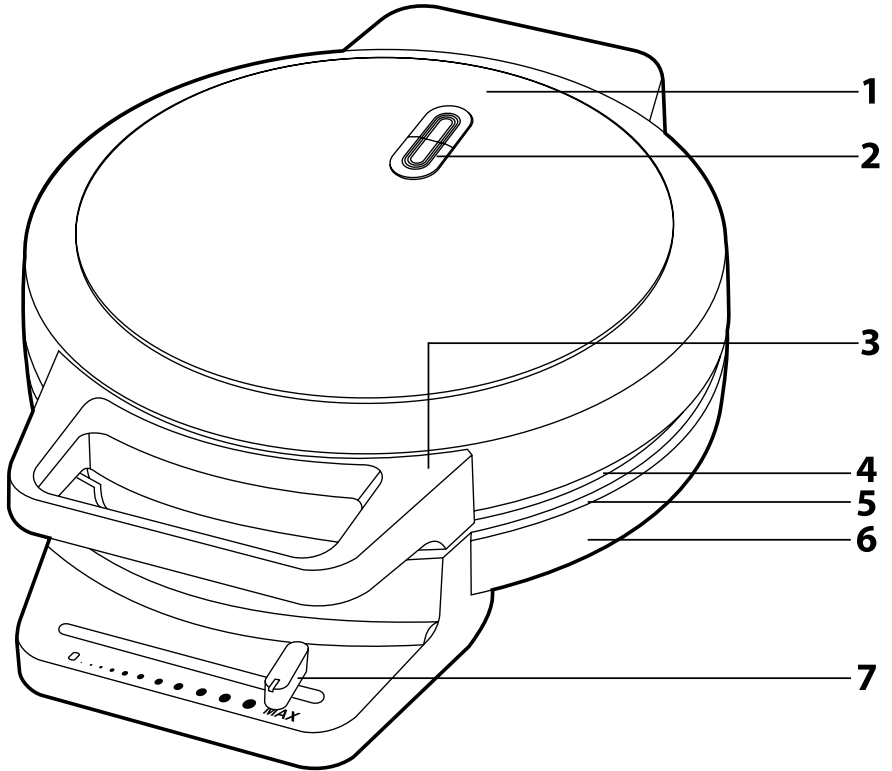
#### **Attention:**

This appliance is not designed to be controlled using a programmed device, external timer switch or remote control.

- Wipe the external surface of the waffle maker plates using sponge lightly dipped in warm water.
- Before connecting the appliance to a power socket, check that the rated voltage stated on the appliance's rating label matches the electrical voltage in the socket to which you wish to connect the appliance.
- Connect the appliance only to a properly grounded socket.
- The appliance is designed for household use only. It is not intended for use in locations such as:
  - staff kitchens in stores, offices, other workplaces;
  - hotel or motel rooms and other living areas;
  - agricultural farms;
  - bed and breakfast establishments
- Do not use the appliance in an industrial environment or outdoors or for purposes other than those for which it is intended.
- Do not place the appliance on window sills, kitchen sink drainboards or unstable surfaces. Always place it on a stable, even and dry surface.

- Do not place the appliance on an electric or gas stove or in its vicinity, do not place it in the vicinity of an open fire or an appliance that is a source of heat.
- To prevent potential injury by electrical shock, do not submerge any part of the appliance in water or any other liquid.
- This appliance may only be used with the original waffle maker plates that are supplied with it.
- During operation there needs to be sufficient area for air circulation above the appliance and on all its sides. Do not use the appliance near flammable materials such as curtains, kitchen towels, etc.
- This appliance is intended exclusively for making waffles. The appliance does not serve to prepare any other meals, e.g. flambéing meals.
- Clean the surface of the plates after each use, as described in chapter Maintenance and cleaning.
- Always turn off the appliance and disconnect it from the power socket when leaving it without supervision, after finishing using it and before cleaning or moving it. Allow the appliance to fully cool down before moving, cleaning or storing it.
- Prior to moving the appliance, check that there is no remaining batter on the waffle maker plates.
- Disconnect the power cord from the power socket by pulling on the plug, never pulling on the cord. Otherwise, this could damage the power cord or the socket.
- Make sure the power cord does not hang over the edge of a table and that it is not touching a hot surface.
- Do not use an extension cord.
- To avoid the danger of injury by electrical shock, do not repair the appliance yourself or make any adjustments to it. Have all repairs performed at an authorised service centre. By tampering with the appliance, you risk voiding your legal rights arising from unsatisfactory performance or quality warranty.

A



# EN Waffle maker

## User's manual

- Prior to using this appliance, please read the user's manual thoroughly, even in cases, when one has already familiarised themselves with previous use of similar types of appliances. Only use the appliance in the manner described in this user's manual. Keep this user's manual in a safe place where it can be easily retrieved for future use.
- We recommend saving the original cardboard box, packaging material, purchase receipt and responsibility statement of the vendor or warranty card for at least the duration of the legal liability for unsatisfactory performance or quality. In the event of transportation, we recommend that you pack the appliance in the original box from the manufacturer.

### DESCRIPTION OF THE APPLIANCE

- |   |                               |
|---|-------------------------------|
| <b>A1</b> Top cover   | <b>A3</b> Handle              |
| <b>A2</b> Indicator light (a red field indicates that the appliance is connected to a power socket; a green field indicates that the plates are heating up) | <b>A4</b> Top plate           |
|   | <b>A5</b> Bottom plate        |
|   | <b>A6</b> Waffle maker base   |
|   | <b>A7</b> Baking level slider |

### BEFORE FIRST USE

- Before first use, take the appliance and its accessories out of the packaging material and remove all promotional labels and stickers. Check that neither the appliance nor any of its parts is damaged.
- Hold the waffle maker by the handle **A3** and tilt open the top plate **A4**. Wipe the top plate **A4** and the bottom plate **A5** using a soft sponge lightly dipped in warm water. Then wipe dry using a clean wiping cloth. Make sure that both plates are clean and dry.
- Prior to use, we recommend wiping both plates with a small amount of vegetable oil. Spread evenly. Remove any excess oil using a kitchen paper towel.

### OPERATING THE APPLIANCE

- Insert the power plug into a power socket. The indicator light **A2** will be lit and the waffle maker will start heating up.
- Set the slider to the desired baking level. Sliding the slider to the right towards "MAX" will set a darker baking level, while on the other hand sliding the slider to the left towards "0" will set a lighter baking level. When using the waffle maker for the first time, we recommend to set the slider to approximately the middle of the scale and then adjust it as necessary.



#### Note:

When the waffle maker is turned on for the first time, a light smoke or odour may be emitted. This is a normal event that will disappear with use.

- While the waffle maker is heating up, prepare the waffle batter.
- When the green field on the indicator light **A2** turns off, the waffle maker is ready for use.
- The red field on the indicator light **A2** indicates that the appliance is connected to a power socket and it will remain lit for the entire time of operation, until the power plug is disconnected from the power socket.
- The green field on the indicator light **A2** may light up while the waffle is being made. This indicates that the plates are heating up to operating temperature. This is normal.
- Tilt open the top plate **A4** using the handle **A3**. Carefully pour the waffle batter on to the bottom plate **A5**. Check that it is evenly spread and, if necessary, spread it out using a suitable heat resistant spatula.
- Carefully tilt down the top plate **A4**. Avoid using excessive force as this could result in the batter leaking out from between the plates.
- Allow the waffles to bake for 3 – 5 minutes, as required. Regularly check the level of browning.
- As soon as the waffles have finished baking, tilt open the top plate **A4** using the handle and carefully remove the waffle using a wooden spoon or a suitable heat resistant plastic utensil. Never use metal or sharp objects. This could scratch the non-stick surface of the waffle maker plates.
- Repeat this process with the remaining batter.



#### Note:

If the waffles are baking on to the plates, we recommend to coat them with a small amount of vegetable oil.

- When not using the waffle maker, disconnect the power cord plug from the power socket and allow the waffle maker to cool down before cleaning it.

### CLEANING AND MAINTENANCE

- Disconnect the power plug from the power socket and allow the appliance to cool down before cleaning it.
- For cleaning, do not use cleaning products with an abrasive effect, solvents, etc. that could damage the appliance. Do not use steel wool or sponges with steel wool, etc. to clean the surface of the waffle maker plates. No part of this appliance is intended for washing in a dishwasher.



#### Warning:

To prevent the risk of injury by electrical shock, do not submerge the appliance, power cord or power plug in water or any another liquid.

- Hold the waffle maker by the handle **A3** and tilt open the top plate **A4**. Wipe the top plate **A4** and the bottom plate **A5** using a soft sponge lightly dipped in warm water. Then wipe dry using a clean wiping cloth. Make sure that both plates are clean and dry.
- Wipe the external surface of the appliance using sponge lightly dipped in warm water. Then wipe dry using a clean wiping cloth.
- After cleaning them, we recommend wiping both plates with a small amount of vegetable oil. Spread evenly. Remove any excess oil using a kitchen paper towel.

### Storage

- When not using the appliance for an extended period of time, disconnect the power plug from the power socket, allow the appliance to cool down and clean it according to the instructions provided above.
- Before storing it, check that the appliance and all its accessories are thoroughly clean and dry.
- Store the appliance in a dry, clean and well-ventilated location not exposed to extreme temperatures and out of children's reach.

### TECHNICAL SPECIFICATIONS

Rated voltage range.....220 – 240 V~  
Rated frequency.....50 / 60 Hz  
Rated power input .....1.000 W

We reserve the right to change text and technical specifications.

### INSTRUCTIONS AND INFORMATION REGARDING THE DISPOSAL OF USED PACKAGING MATERIALS

Dispose of used packaging material at a site designated for waste in your municipality.

### DISPOSAL OF USED ELECTRICAL AND ELECTRONIC EQUIPMENT



This symbol on products or original documents means that used electric or electronic products must not be added to ordinary municipal waste. For proper disposal, renewal and recycling hand over these appliances to determined collection points. Alternatively, in some European Union states or other European countries you may return your appliances to the local retailer when buying an equivalent new appliance.

Correct disposal of this product helps save valuable natural resources and prevents potential negative effects on the environment and human health, which could result from improper waste disposal. Ask your local authorities or collection facility for more details.

In accordance with national regulations penalties may be imposed for the incorrect disposal of this type of waste.

#### For business entities in European Union states

If you want to dispose of electric or electronic appliances, ask your retailer or supplier for the necessary information.

#### Disposal in other countries outside the European Union.

This symbol is valid in the European Union. If you wish to dispose of this product, request the necessary information about the correct disposal method from the local council or from your retailer.



This product meets all the basic requirements of EU directives related to it.