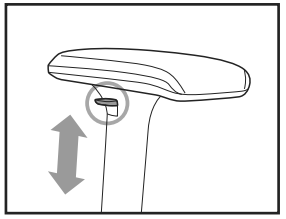
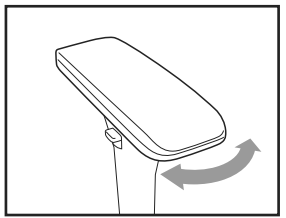
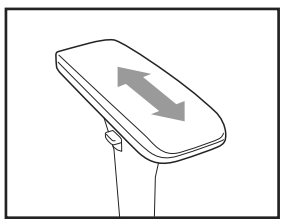
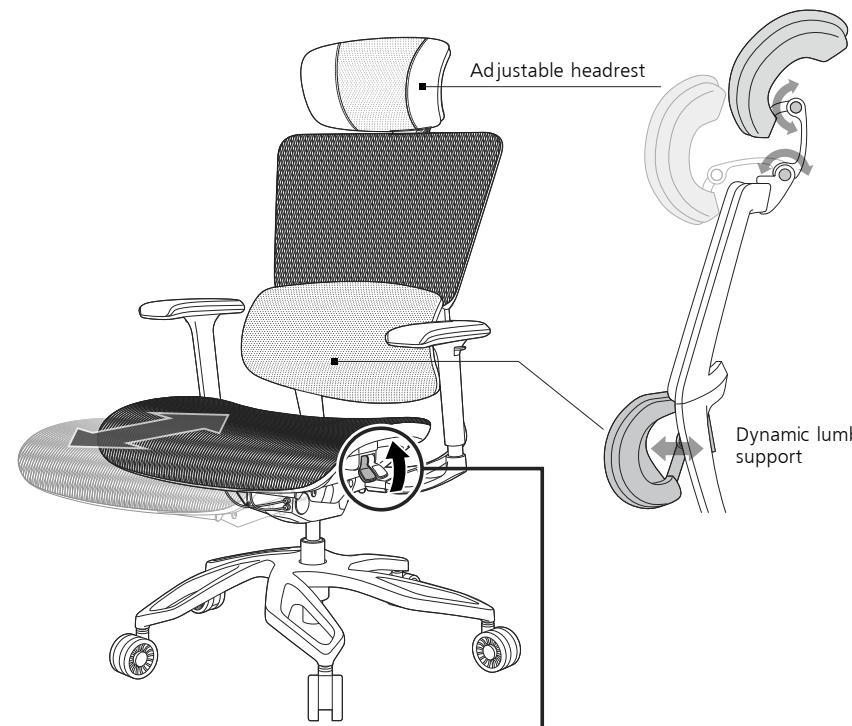
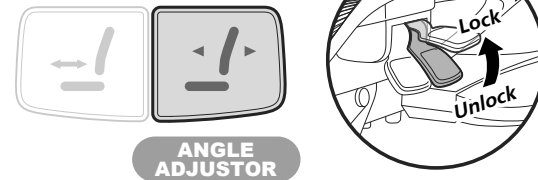
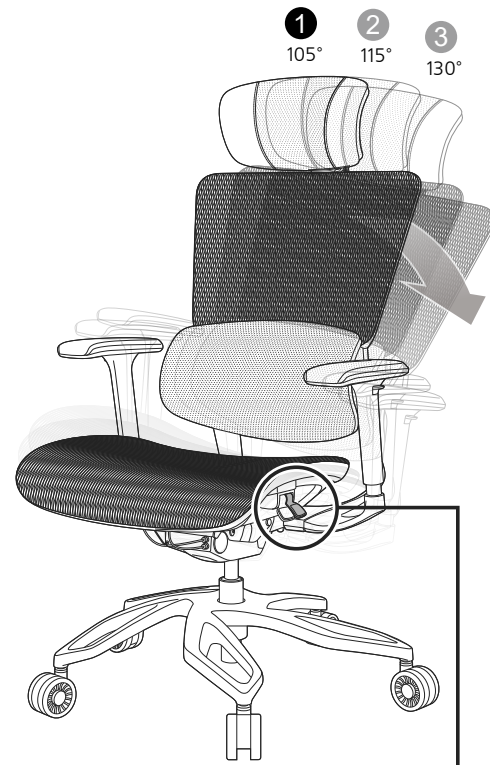
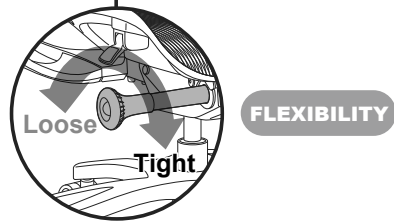
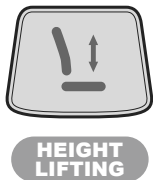
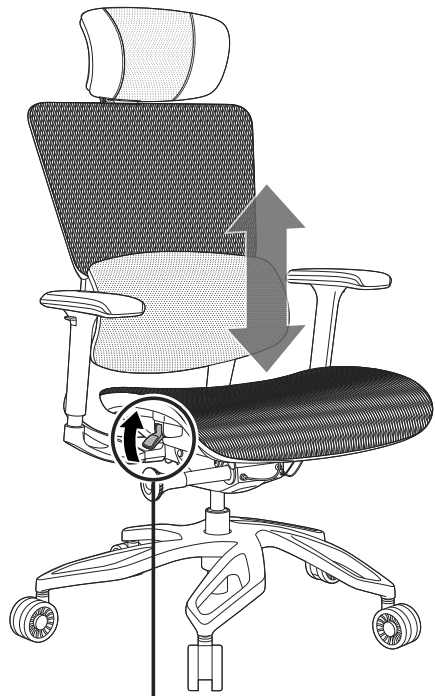




ARGO

THE EVOLUTION OF AN
GAMING CHAIR REVOLUTION

ASSEMBLY DRAWING



Adjustable armrest

ACCESSORY KIT

1		x1
2		x8
3		x4
4		x1
5		x1
6		x1

Please put on the included protective gloves before mounting the chair.

FEATURES

- ENGLISH**
- Superior ergonomic design
 - Premium aluminum frame
 - Highly breathable mesh cushion
 - 5-Star aluminum alloy base with extra-size wheels
 - Trigger shift wire control system for fully adjustment
 - Dynamic lumbar support design
 - Sliding seat depth adjustable
 - Headrest and armrest 3D adjustable
 - Supports up to 150kg

- DEUTSCH**
- Ausgezeichnetes ergonomisches Design
 - Premium-Aluminiumrahmen
 - Hochgradig atmungsaktives Netzpolster
 - 5-Sterne-Aluminium-Basis mit extragroßen Rädern
 - Auslöser-Schaltgerät-Steuersystem für vollständige Anpassung
 - Dynamisches Design mit Lendenwirbelstütze
 - Sitztiefe verschiebbar
 - Kopfstütze und Armlehne dreidimensional anpassbar
 - Unterstützt bis zu 150 kg

- ESPAÑOL**
- La excelencia en el diseño ergonómico
 - Marco de aluminio de calidad superior
 - Cojín de malla altamente transpirable
 - Base de aleación de aluminio de 5 estrellas con ruedas de gran tamaño
 - Sistema de control del cable en palanca para un ajuste completo
 - Diseño de soporte lumbar dinámico
 - La profundidad del asiento deslizante es ajustable
 - Reposacabezas y apoyabrazos ajustables en 3D
 - Soporta hasta 150 kg

- POLISH**
- Wyjątkowe ergonomiczne wzornictwo
 - Rama z najlepszego aluminium
 - Poduszka siatkowa o wysokiej oddychalności
 - Podstawa ze stopu aluminium w kształcie pięciogwiazdki z powiększonymi kołkami
 - Przewodowy system sterowania z przełącznikiem zapewniający pełną regulację
 - Konstrukcja o dynamicznym podparciu kręgosłupa lędźwiowego
 - Siedzisko o regulowanym wysunięciu
 - Regulowane w 3D zagłówek i podłokietniki
 - Nośność do 150 kg

- ITALIA**
- Design ergonomico superiore
 - Telaio in alluminio premium
 - Cuscino in rete altamente traspirante
 - Base in lega di alluminio a 5 stelle con ruote extra-size
 - Attivare il sistema di controllo del filo del cambio per una regolazione completa
 - Design supporto lombare dinamico
 - Profondità del sedile scorrevole regolabile
 - Poggiatesta e braccioli regolabili in 3D
 - Supporta fino a 150 kg

- 日本語**
- 人間工学に基づいた優れたデザイン
 - 高品質なアルミフレーム
 - 通気性の高いメッシュ生地を採用しています
 - 大径のキャストのキャスターを備えたアルミ合金ベース
 - 無断開封/改装/修理機能付で、レバー1本でお好みの角度に調整する事が出来ます

- PORTUGUÊS**
- Excelência no design ergonómico
 - Estrutura de alumínio de alta qualidade
 - Almofada de malha altamente respirável
 - Base em liga de alumínio de 5 estrelas com rodas grandes
 - Sistema de controle de cabos tipo alavanca para ajuste total
 - Desenho dinâmico do suporte lombar
 - Regulagem da profundidade do banco deslizante
 - Encosto de cabeça e apoio de braço 3D ajustável
 - Suporta até 150kg

- РУССКИЙ**
- Стильный эргономичный дизайн
 - Алюминиевая рама премиум класса
 - Дышащая сетчатая подушка
 - Пятиконечная крестовина из алюминиевого сплава с вращающимися крупными колесиками
 - Система управления переключателем для полной регулировки
 - Регулируемая конструкция обеспечивает достаточную опору для поясницы
 - Регулируемая глубина сиденья
 - 3D регулируемые подголовник и подлокотники
 - Поддерживает до 150 кг

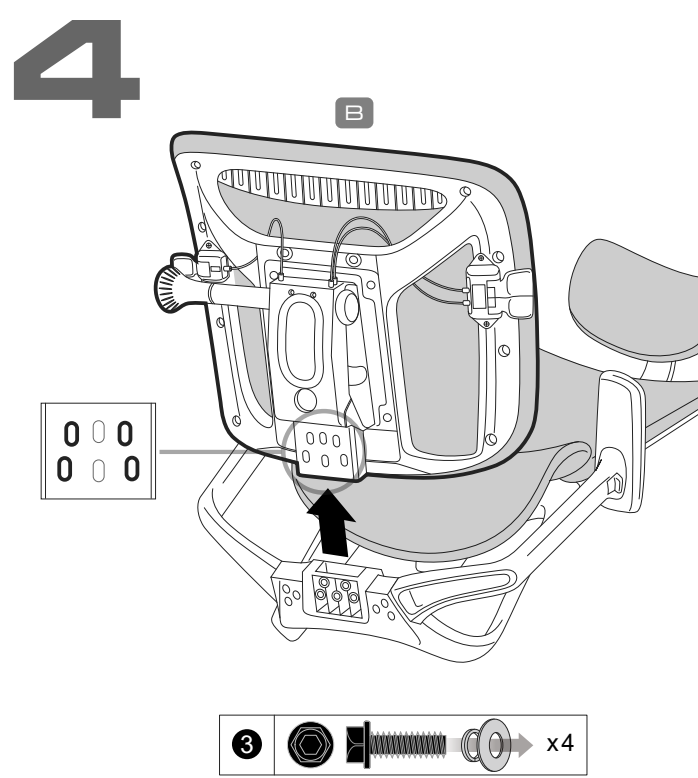
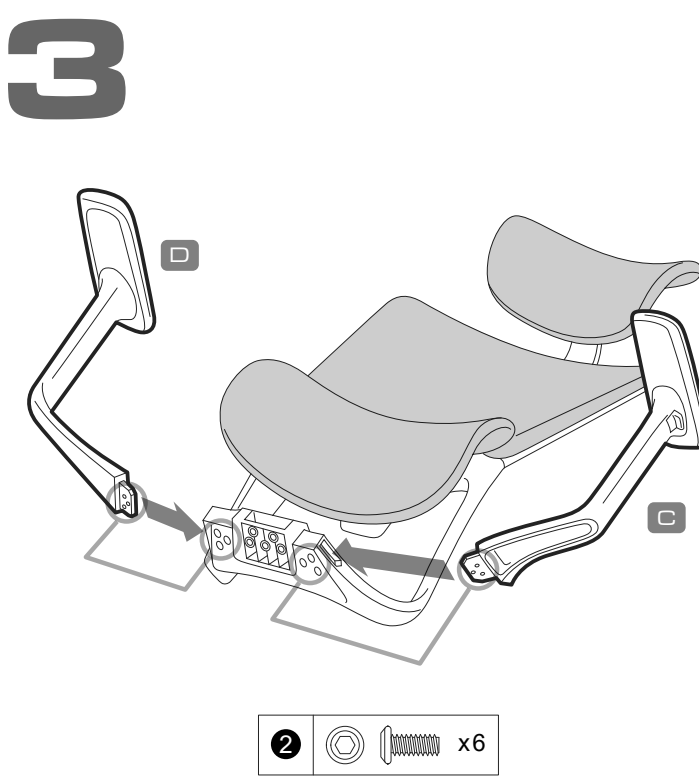
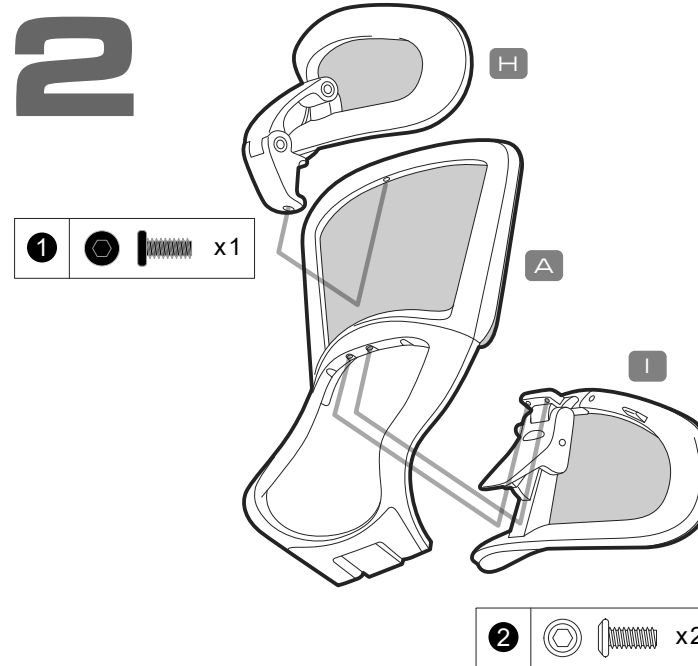
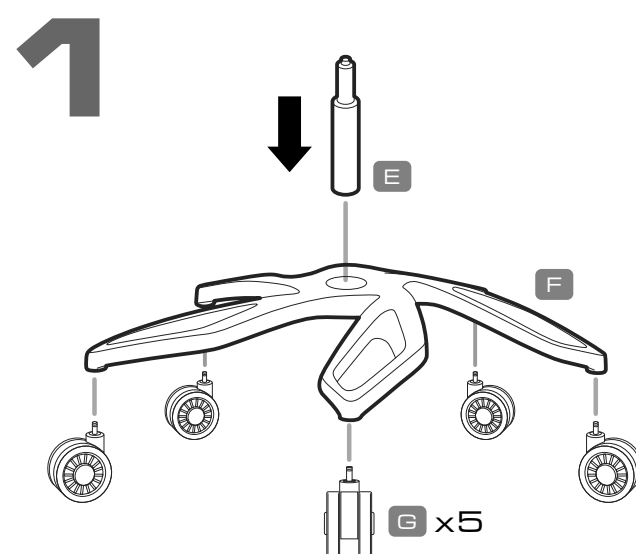
- FRANÇAIS**
- Conception ergonomique supérieure
 - Châssis en aluminium de qualité supérieure
 - Coussin en maille ultra-respirant
 - Base en alliage d'aluminium 5 étoiles avec des roues extra-larges
 - Système de contrôle du fil de déclenchement pour un ajustement complet
 - Conception de soutien lombaire dynamique
 - Siège coulissant réglable en profondeur
 - Appui-tête et accoudoir réglables en 3D
 - Supporte jusqu'à 150 kg

- 한국어**
- 우수한 인체공학적 디자인
 - 프리미엄 알루미늄 프레임
 - 통기성이 뛰어난 메쉬 쿠션
 - 특대형 휠이 장착된 5성 알루미늄 합금 베이스
 - 완벽한 조절을 위한 트리거 스위치 와이어 컨트롤 시스템
 - 역동적인 허리 지지대 설계
 - 슬라이딩 시트 적용으로 깊이 조절 가능
 - 머리 받침대 및 팔걸이 3D 조절 가능
 - 최대 150kg까지 지원

- 中文**
- 卓越人体工学设计
 - 优质铝制骨架
 - 极透气弹性网布
 - 铝合金五星轮毂椅脚搭配加大耐磨滚轮
 - 拨杆式线控系统可调节各种角度
 - 动态腰靠支撑设计
 - 可调整座椅高度
 - 可调整头枕与3D全方位调整扶手
 - 承重达150Kg

- 調節可能なウエストビロー
- 調整可能な座席の高さ
- 調節可能なヘッドビローと3D調整アームレスト
- 耐荷重150Kg

ASSEMBLING INSTRUCTION



GLOBAL WARRANTY POLICY

WARRANTY PERIODS OF COUGAR GAMING DEVICES
 Product : COUGAR GAMING CHAIR
 Warranty : 1 Year
 This warranty gives you specific legal rights. You may also have other rights granted under local law. These rights may vary.

WARRANTY AGREEMENT

- If the product has defects in material or manufacture, COUGAR will provide product repair and replacement service within the warranty period.
- Our warranty service is based on the date of the invoice or warranty card.

CONDITIONS WHERE FREE MAINTENANCE IS NOT PROVIDED

- Any fault or damage caused by natural disasters (including storm, fire, flood, thunder, earthquake, etc).
- Any fault or damage caused by accidental factors and man-made reasons (including hit, scrape, crash, moving, compression, stain, corrosion, riot, misuse, malicious damage, etc).
- Use in an improper operating environment (including high temperature, high humidity, water inflow, etc).
- Inability to provide the product warranty card, purchase receipt or invoice to prove the product is still within the warranty period and the shipping date of the product is out of warranty.
- The warranty card has been altered or its number is hard to identify.
- The warranty period has expired.
- Any fault or damage caused by non-compliance with regulations stated on the user manual or improper, rough and careless treatment.
- Any fault or damage caused by use of parts not certified by COUGAR original manufacturer.
- The problem is caused by improper repair or adjustment by the buyer or any manufacturer without authorization from COUGAR.
- The product is not acquired from an authorized distributor of the company or is acquired from illicit sources.
- Paper carton, instruction and other accessories are not warranted.

DISCLAIMERS

- COUGAR products should not be used as critical components in life support devices.
- COUGAR is not liable for any damage of life and limb or damage or loss of property caused by or during COUGAR products' use as or with medical equipment, military equipment, traffic equipment and disaster prevention systems.
- COUGAR's warranty liability is limited to repair or replacement. The decision on whether to repair or replace belongs exclusively to COUGAR.

• COUGAR is, to the extent not prohibited by law, not liable for any damages; expenses; lost data, revenues, savings or profits; or any incidental or consequential damages happened while the use of a defective product from COUGAR or due to its use.

LEGAL NOTICES

This manual was created by Compucase Enterprise and may not be completely or partially copied, passed on, distributed or stored without written consent by Compucase Enterprise.
 COUGAR® is a registered brand of Compucase Enterprise. Other product and company names mentioned in this documentation may be brands or trademarks of their respective owners.
 Compucase Enterprise reserves the right to make changes concerning the contents of the manual and the technical data of the product without previous announcement.

MANUFACTURER CONTACT

Compucase Enterprise Co.,Ltd.
 No. 225, Lane 54, An Ho Road Sec. 2 Tainan, Taiwan, R.O.C
 Tel:+886-6-356-0606

COUGAR USA Technical Service
 Tel: (833) 256-3778
 Mail: rma@compucaseusa.com

Service email : <https://cougargaming.com/support/contact/upload/>
 Compucase Enterprise Co.,Ltd. All rights reserved. Made in China

Дата изготовления продукции
 год и месяц изготовления продукции указаны в серийном номере продукта. (существует 2 способа определения даты изготовления, оба способа описаны ниже)

A После S/N: первые две цифры означают год, вторые две – месяц изготовления. Например, S/N: H1702000001 означает, что товар был произведен в феврале 2017 года.

B После S/N: если указаны буквы, то две буквы представляют цифры из таблицы ниже, и означают год, последующие две цифры – месяц изготовления. Например, S/N: DAG02REVI000001 означает, что товар был произведен в феврале 2017 года.

A	B	C	D	E	F	G	H	I	J
1	2	3	4	5	6	7	8	9	0

• Например, AG = 17 = 2017 год

EAC

WARNING

- To adjust the chair height, gently pull the lever up. Do not use excessive force to pull the lever.
- Please wear protective gloves when assembling the chair. It is your own responsibility to use appropriate protection to prevent any physical damage.
- When rocking the chair, using it in any other way or adjusting the height, inclination, position or balance of the chair or any of its components, please:
 - Pay attention to your hand's position and keep it away from spaces in which it could get caught or be injured.
 - Do not make fast or violent movements.
 - (when the chair is in movement) do not touch any of the chair's adjustment controls to prevent affecting its stability and causing a potentially dangerous fall.
- (when reclining the chair to its full extent) set the related control level in lock position and keep both feet on the ground, as well as abstain from any violent, rough or strong movement which could cause the chair to tip over.
- Keep in mind that this chair is designed only for sitting and reclining, and that it should be used only for those uses.
 - Do not sit on the edge of the chair or the arm rests.
- Do not place the chair in a location in which it is likely to be subjected to prolonged sunlight exposure. The product's colors might fade when exposed to sunlight.
- Do not use abrasive products or scrub energetically when cleaning. Please stick to gentle products suitable for delicate materials.
- All parts should be checked monthly to confirm their integrity and to make sure that the screws are not loose.
- If any part of the product is or appears to be damaged, missing or loose, please contact the local distributor and do not use the product.

Maximum stationary weight capacity 150kg. Please do not place any body or object above 150kg on this chair.

