



Concept 20

User Manual and
Product Specifications



Important Information - Please Read Carefully



This symbol indicates that there are important operating and maintenance instructions in the literature accompanying this unit.



This symbol indicates that dangerous voltage constituting a risk of electric shock is present within this unit.

Read these instructions.
Keep these instructions.
Heed all warnings.
Follow all instructions.
Do not use this apparatus near water.
Clean only with dry cloth.
Do not block any ventilation openings.

Install in accordance with the manufacturer's instructions.

Do not install near any heat sources such as radiators, heat registers, stoves, or other apparatus (including amplifiers) that produce heat.

Use only attachments/accessories specified by the manufacturer. Use only with a cart, stand, tripod, bracket, or table specified by the manufacturer, or sold with the apparatus.

When a cart is used, use caution when moving the cart/ apparatus combination to avoid injury from tip-over.



Refer all servicing to qualified service personnel. Servicing is required when the apparatus has been damaged in any way, such as power supply cord or plug is damaged, liquid has been spilled or objects have fallen into the apparatus, the apparatus has been exposed to rain or moisture, does not operate normally, or has been dropped.

Warning: To reduce the risk of fire or electrical shock, do not expose this product to rain or moisture. The product must not be exposed to dripping and splashing and no object filled with liquids such as a vase of flowers should be placed on the product.

No naked flame sources such as candles should be placed on the product.

Caution: Changes or modifications not expressly approved by the manufacturer could void the user's authority to operate this device.

Service: Equipment for servicing should be returned to the supplying dealer, or to the service agent for your area. The addresses of the main Service Agents for the UK are listed in this manual.

Third parties: In the unlikely event that you pass this product on to a third party, include these operating instructions with the product.



Preparation

Introduction

The Q Acoustics Concept 20 is designed to meet the highest expectations of dedicated 2-channel audiophiles and discerning movie enthusiasts.

Before making any connections to your loudspeakers make sure that all active units in your system are switched off at the mains.

When switching on your sound system or changing input sources, set the main volume control at a low level. Turn up the level gradually.

NEVER play your sound system at full volume. The position of the volume control is deceptive and does not indicate the power level of the system. Using very high volume settings may damage your hearing.

DO NOT connect your loudspeaker terminals to the mains supply.

DO NOT expose your loudspeakers to excessive cold, heat, humidity or sunlight.

If you play your loudspeakers without their grilles on, be careful to protect the drive units from damage.

DO NOT use makeshift stands. Fit the Q-Acoustics dedicated stand according to the instructions and using any fixings provided. Your dealer will advise you.

DO NOT dismantle the loudspeaker. You will invalidate the warranty.

Unpacking your loudspeakers

Unpack the speakers fully. Lift the speakers from the cartons by holding the cabinets. Do not use the protective bags to lift them.

When manoeuvring loudspeakers, do not drag them across the floor as this may cause damage - lift them before moving them.

In the carton you will find: The loudspeaker/s and this product manual.

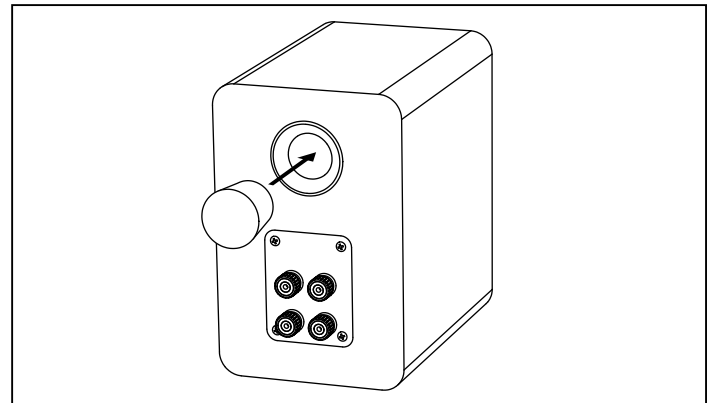
Check the product carefully. If any items are damaged or missing, report this to your dealer as soon as possible.

Retain the packing for future transport. If you dispose of the packing, please do so following all recycling regulations in your area.

Foam Bung

The Concept 20 speakers are rear ported and designed to work best with some space behind them i.e. 200mm or so away from a wall. If you position your speakers close to a wall/ corner then the foam bungs should be inserted into the rear ports or there could be too much bass.

Ensure the bungs are fitted snugly into the port without inserting them too far. You will find the level of bass is reduced but definition and bass extension is increased. Experiment to see what you prefer and try making small changes to the position of the speaker to optimise the final result.





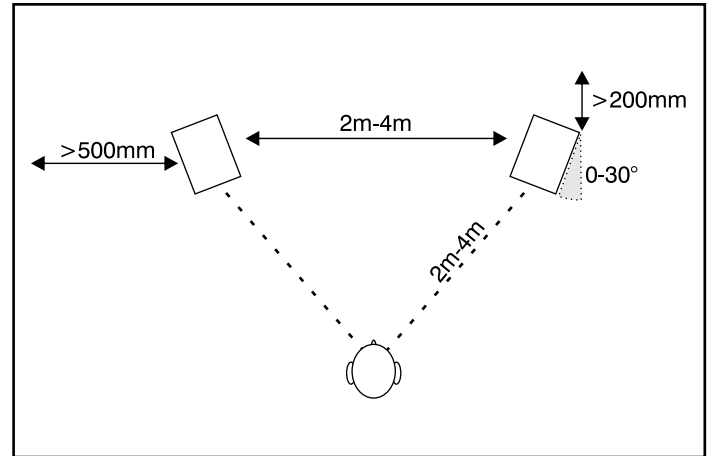
Positioning Passive Loudspeakers

Concept 20

The Concept 20 loudspeakers should be positioned at least 200mm from a back wall and 500mm from the side walls. Placing the speakers closer to the wall will increase bass but could cause the sound to boom and lack precision and detail. The speakers should be 2m - 4m apart and central to the seated listener. Turning the speakers slightly inwards will sharpen a stereo image but may cause narrowing of the sound source.

The Concept 20 is ideally mounted on Q-Acoustics floor stands. If you are stand mounting, a simple guide is that the treble unit should be at ear level to a seated listener. Stand mounted speakers should be treated as floorstanding speakers except that the speaker may be placed a little closer to the back wall. Shelf mounting is also possible.

Be prepared to experiment to find the best setup for your taste in your particular listening room.

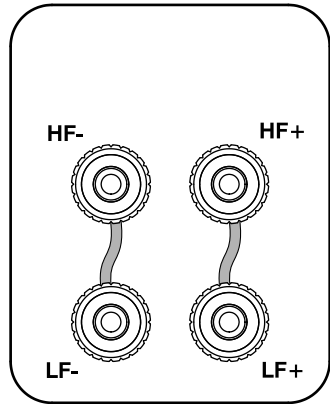




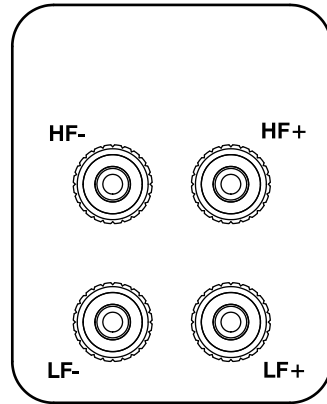
Connecting Passive Loudspeakers

Terminals and Connectors

The Concept 20 is bi-wireable. A bi-wireable crossover has four terminals. The upper pair of terminals connects to the treble (HF) speaker and the lower pair to the bass (LF) speaker/s. As supplied the crossovers are fitted with removable links to connect the terminal pairs. This permits you to connect the loudspeaker conventionally using one pair of cables or in bi-wired mode with two pairs.



Standard Connection



Bi-Wired Connection

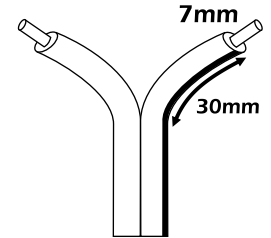
Loudspeaker Cables

Specialist loudspeaker cables will offer a higher standard of reproduction than general purpose 'bell' or 'zip' wire. Use cable with generous amounts of copper for the front and centre channels. Thin cables reduce the bass and restrict the dynamic range. Surround (rear) channels are less critical.

Speaker cable has a stripe or tracer along one core. By convention this is connected to the positive terminals. The cables connecting the amplifier to the front loudspeakers should ideally be the same length. Never join cables - use complete lengths.

Preparing Cables

Split the cable to a depth of about 40 mm. Bare the wire to a depth of 10mm and twist the ends to gather any stray wires. Crop the cable leaving 7mm of bare wire exposed.

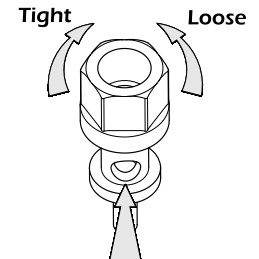


Connecting a Terminal

Unscrew the terminal anticlockwise to expose the mounting hole in the base of the terminal column.

Insert the bare end of the cable into the hole. Re-tighten the terminal fully hand tight. Make sure there are no stray wires which could touch adjacent terminals.

In the EU it is against safety regulations to use 4mm loudspeaker plugs.





Connecting Passive Loudspeakers

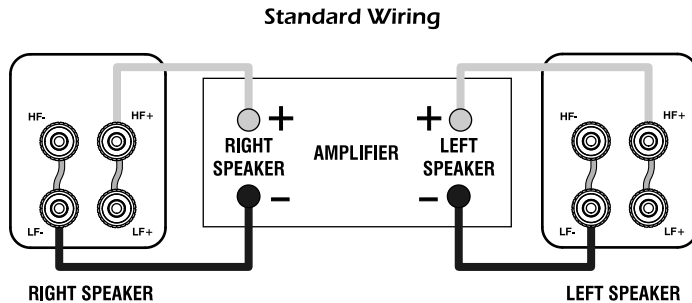
Stereo Connections

Standard Connections

Connect the **RED (+)** terminal of the **RIGHT** loudspeaker to the **RED, Positive (+)** terminal on the **RIGHT** channel of the amplifier. Connect the **BLACK (-)** terminal of the loudspeaker to the matching **BLACK, Negative (-)** terminal of the amplifier.

Repeat this procedure for the **LEFT** channel.

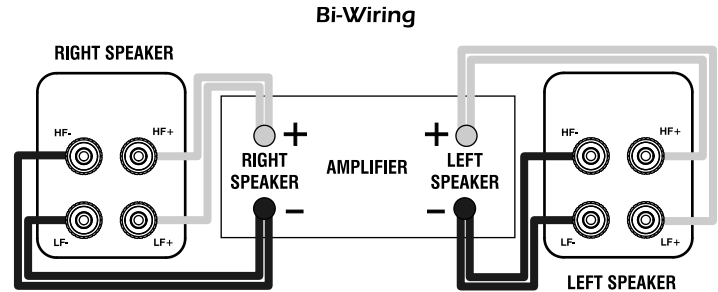
In the case of the **Concept 20** you may use any convenient Positive (+) or Negative (-) terminal. Refer to the illustration below.



Bi-Wiring

Directly connecting the treble and bass networks of a loudspeaker to an amplifier improves both bass performance and dynamic range.

To bi-wire: Prepare two twin cables for each loudspeaker. Unscrew all the loudspeaker terminals and remove both links. Now connect the treble terminals and the bass terminals to the amplifier following the procedure described in Standard Wiring. Refer to the illustration below.



When your speakers are connected: Switch on the system and play some music at moderate level. Fine tune the speaker placement to suit.



Care and Cleaning

Cabinet Care

Clean cabinets with a barely damp cloth. Do not use solvent based cleaning materials. If the cabinets become stained, remove the stain with a cloth lightly moistened with water, white spirit or isopropyl alcohol depending on the stain. Then lightly buff with a cloth to remove any residue of the cleaning agent. Never use abrasives of any kind.

Grilles

Lightly brush out grilles with a soft brush. Do not remove the speaker grilles unless absolutely necessary.

Drive Units

Drive units are best left untouched as they are easily damaged when exposed.

Warranty

Q Acoustics loudspeakers are warranted free of defects in materials and workmanship as follows:

Passive Loudspeakers: 5 years from the date of purchase

Active Loudspeakers & Subwoofers: 2 years from the date of purchase.

During the warranty period Q Acoustics will, at its option, repair or replace any product found to be faulty after inspection by the company or its appointed distributor or agent.

Misuse and fair wear and tear are not covered by warranty.

Q Acoustics does not offer an international warranty.

Goods for repair should in the first instance be returned to the supplying dealer. If this is not possible the item/s should be sent carriage paid preferably in the original packing, to Q Acoustics or their appointed distributor for your area and accompanied by proof of purchase. Damage sustained by goods in transit to the repair centre is not covered by warranty. Return carriage will be paid by Q Acoustics or their distributor as appropriate.

This warranty does not in any way affect your legal rights.

Appointed Distributor in the UK:

Armour Home Electronics Ltd
Units 7 & 8, Stortford Hall Industrial Park
Stortford, Herts, UK
CM23 5GZ

**For service information In other countries contact
info@qacoustics.co.uk**