

**SENCOR®**

SCP 1763BK

SCP 2263BK



## **EN ■ Infrared Cooking Plate**

*Translation of the original manual*

### READ CAREFULLY AND STORE FOR FUTURE USE.

- This appliance may be used by children 8 years of age and older and by persons with physical or mental impairments or by inexperienced persons, if they are properly supervised or have been informed about how to use the product in a safe manner and understand the potential dangers.
- Children must not play with the appliance.
- Cleaning and maintenance performed by the user must not be performed by children unless they are older than 8 years of age and under supervision.
- Children younger than 8 years of age must be kept away from the appliance and its power cord.
- In the event that the power cord is damaged, have it repaired at a professional service centre to prevent causing a dangerous situation. It is forbidden to use the appliance if it has a damaged power cord.



#### **ATTENTION:**

Hot surface.

The temperature of accessible surfaces may be higher if the appliance is in operation.



#### **WARNING**

If this surface is cracked, turn off the appliance to prevent possible injury by electrical shock.



#### **ATTENTION:**

This appliance is not intended to be operated using an external timer switch or remote control.

- This appliance is designed for household use only. Likewise, this appliance is intended for personal non-commercial use in locations such as:
  - staff kitchens in stores, offices and other workplaces;
  - recreational facilities, cottages and weekend houses;
  - hotel or motel rooms and other living areas;
  - Bed & Breakfast establishments.
- Do not use the appliance outdoors or in an industrial environment.
- Never use the appliance for any other purposes than those for which it is intended.
- Before connecting the appliance to a power socket, check that the nominal voltage on its rating label matches the voltage in the power socket to which you wish to connect it. Connect the appliance only to a properly grounded socket. Do not use an extension cord. Fully unwind the power cord before use.
- Only use the appliance on a horizontal, dry, clean, stable and heat resistant surface. Do not use the appliance on metal surfaces such as drainboards on a kitchen sinks.
- Do not place the appliance on the edge of a table or on an electric or gas stove or in their vicinity.
- Do not use the appliance on a surface that is sensitive to heat or that is covered by a table cloth, paper or other flammable material, in the vicinity of curtains and other flammable materials or materials sensitive to heat.
- During operation there needs to be sufficient area for air circulation above the appliance and around it. A safety clearance of at least 50 cm must be maintained, in the direction of the main radiant heat, from the surface of flammable materials located above the hotplate, and at least 10 cm in all other directions around the appliance.
- While in operation, the appliance must be located on a kitchen countertop with no cupboards or overhanging shelves above it.
- Do not place any items on to the appliance.
- Do not cover the appliance or block its vents.
- Do not use the appliance without a pot or pan placed on the hotplate. Regularly check the condition of the food while the hotplate is running.
- Always make sure that the pot or pan is correctly placed on the hotplate.
- The handle of the cookware must be in a safe position so as to prevent brushing against it and overturning the cookware.
- Liquids or meals may not be heated in closed containers, such as for example in cans, because an explosion could result.
- Be very careful when cooking with oil or shortening. Shortening or oil heated to a high temperature may ignite.
- When handling hot cookware, which contains hot food or liquids, be especially careful so as not to burn or scald yourself.
- When handling hot cookware, use kitchen gloves.
- The appliance must not be left without supervision when in operation or when connected to a power socket.
- Keep in mind that the hotplate will emit residual heat for a certain time after it is used. Be especially careful not to touch the hot surface of the appliance.
- Always after finishing using the appliance, turn it off by setting the temperature control knob to the "OFF" position and disconnect the power cord of the appliance from the power socket. Always do this also when leaving the appliance without supervision, when not using it for an extended period of time and prior to cleaning, maintenance or prior to moving or storing it.
- Disconnect the appliance from the power socket by gently pulling the plug of the power cord, and not the power cord itself. Otherwise, this could damage the power cord or the socket.
- Allow the appliance to fully cool down before moving, cleaning, maintenance or storing it. Never move the appliance during operation or when there is a pot or pan on it or unless it has cooled down completely.
- To prevent the risk of injury by electrical shock, do not submerge the appliance, power cord or power plug in water or any another liquid.
- Do not place heavy items on the power cord. Make sure the power cord does not hang over the edge of a table, that it is not touching a hot surface or sharp objects.
- Regularly clean the appliance after each use according to the instructions in chapter Cleaning and maintenance. Do not perform any maintenance on the appliance except for cleaning as described in this user's manual.
- Do not use the appliance when it is not functioning correctly or after it has fallen on the floor, been submerged in water or is damaged in any other way. Hand it over to an authorised service centre for inspection or repair.
- In order to prevent a hazardous situation arising, do not repair the appliance yourself or modify it in any way. Have all repairs performed at an authorised service centre. By tampering with the appliance, you risk voiding your legal rights arising from unsatisfactory performance or quality warranty.

# SENCOR®

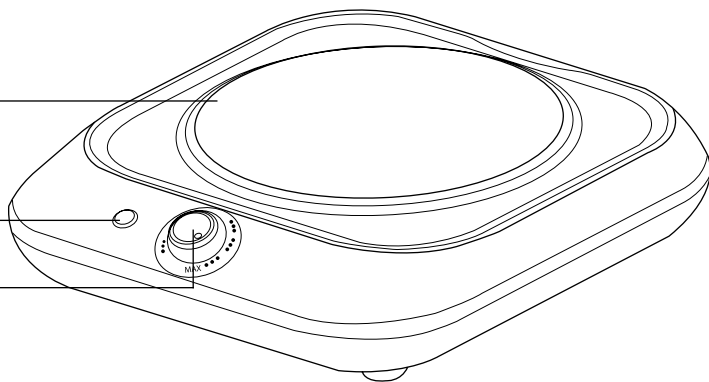
## SCP 1763BK

A

1

2

3



# SENCOR®

## SCP 2263BK

A

1

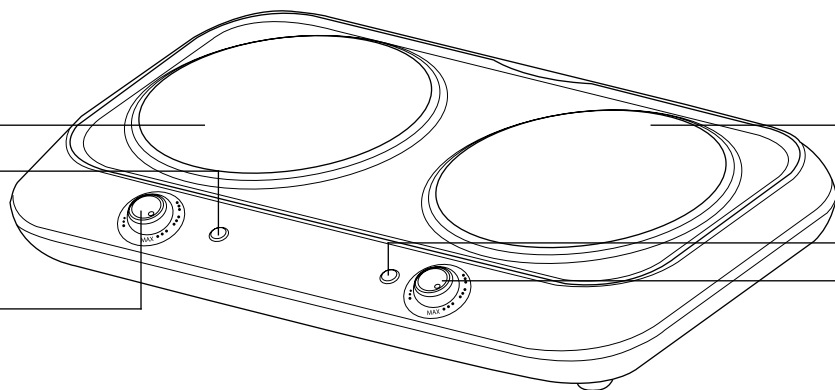
2

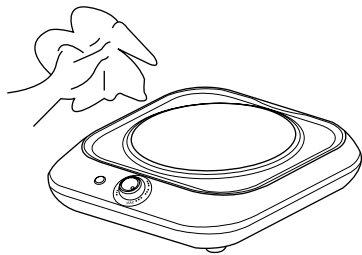
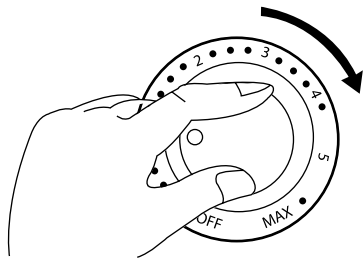
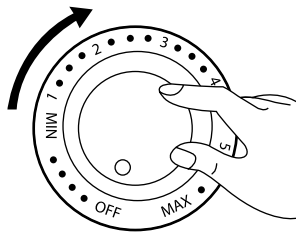
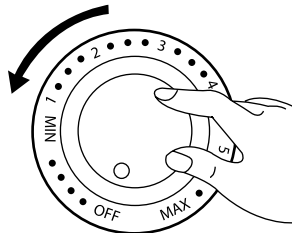
3

1

2

3



**B****D****C****E****F**