

Saramonic®

Audio Adapter Kit

Shotgun Microphone and Audio Adapter
For DSLR Cameras and Video Cameras

MixMic

User Manual

Cautions

1. Do not use the unit under water, don't expose it to rain. Please store it in a cool, dry place.
2. Please use and store it in normal temperature. Do not move it from overheated to supercooled condition frequently as well as keep away from heat sources such as heater and oven.
3. When using and storing, please pay attention to dust and moisture.
4. Be careful to violent collision.

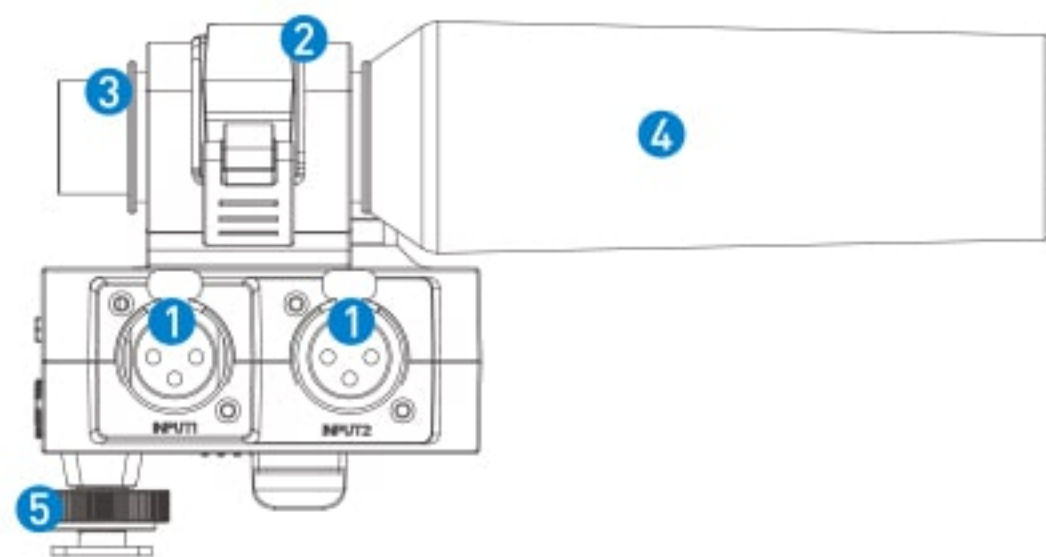
1 Product Introduction

1.1 General Introductions

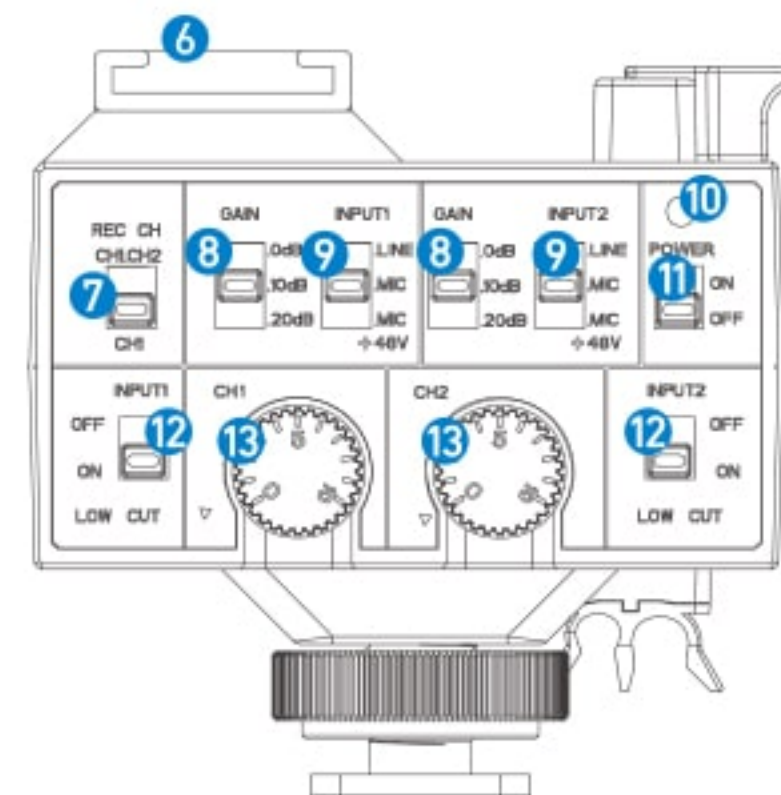
The Saramonic MixMic adapter and microphone kit includes an SR-NV5 shotgun microphone and an adapter, allowing connection of your camera to professional-level microphones, mixing consoles and sound studios. The adapter features two pro-standard XLR terminals for maximum operating flexibility, providing separate volume controls of two channels, gain setting and wind noise reduction. The Mic/Line input switching helps you to capture detailed recording levels and control low frequency sound.

1.2 Product Structure

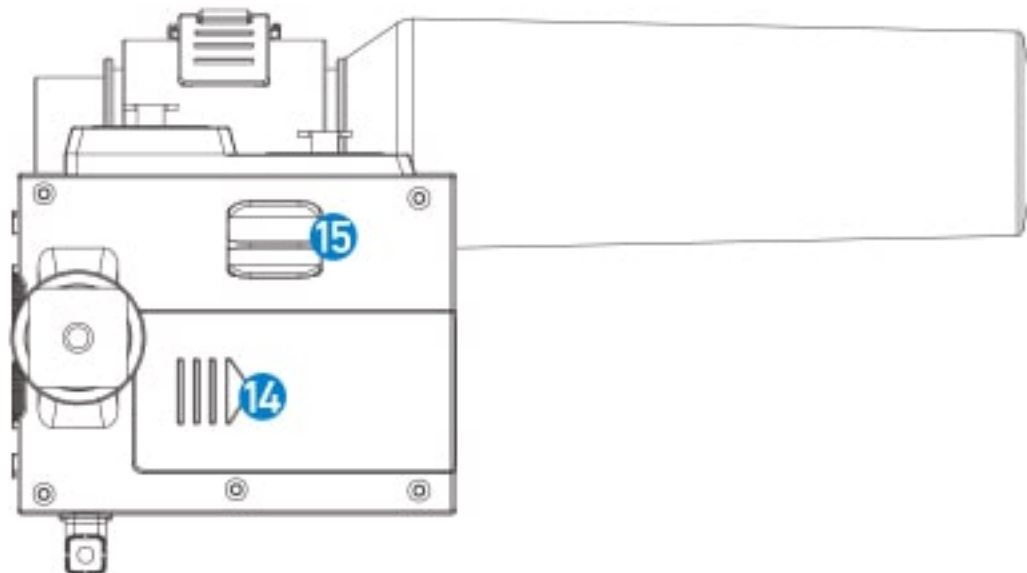
- 1 Two balanced XLR inputs
- 2 Microphone Holder
- 3 Microphone
- 4 Windshield
- 5 Standard Cold Shoe



- 6 Standard Cold Shoe Mount
- 7 Recording Channel Switch
Selects CH1.CH2 is for one microphone recording, It could send the mono audio signal to each channel and mix them together to output stereo audio signal.
Selects CH1 is for two channels recording. It provides two separate channels of audio.
- 8 0dB, +10dB, +20dB Gain Level Switch
- 9 LINE / MIC/ MIC +48V Switch
Select LINE or MIC or +48V phantom power levels. When set to LINE, the signal will be attenuated about 30dB.
- 10 LED Indicator
Green light: power on
Red light: low battery
- 11 POWER ON/OFF Switch
- 12 Low Cut Switch
To attenuate signals with frequencies lower than 150Hz. It can be used to remove rumble or other low frequency noise while recording.
- 13 CH1 and CH2 Volume Control
Adjust the signal of each channel to the optimum recording levels.



- 14 Battery Compartment
Operates on one 9 volt battery (not included).
You could use an alkaline or lithium type battery for the longest operating type.
- 15 Cable Holder



1.3 Specifications

Input Connections	2 x XLR balanced - Mic/Line (included SR-NV5 microphone takes up 1 input, if used)
Output Connection	1 x 1/8" (3.5 mm) wired connector
Power Requirements	9 V alkaline or lithium battery
THD	Less than 0.01% @ 1 kHz, -30 dBu input
Frequency Response	20 Hz to 20 KHz, +/-0.5 dB
SNR	80 dB @ 1 kHz, -30 dBu input
Dimensions	XLR adapter (WxHxD): 3.31" x 3.94" x 3.27" (84 x 100 x 83 mm)
	Microphone (Diam. x L): 1.69" x 7.36" (43 x 187 mm)
Weight	XLR adapter: 5.9 oz (167g)
	Microphone: 2.1 oz (60g)

2. Setup Guide

- 1 Install the battery.
Lift up and pull out the drawer from the battery compartment.
Insert 9V battery into place aligning + and - polarity as shown.
Slide the drawer closed until it clicks into place.
- 2 Mount the adapter to the hot shoe of the camera or any other cold shoe adapter.
- 3 Attach microphone.
Unlock the microphone holder and open the cover, then place the microphone into the holder.
Close the cover and lock the holder securely.
Connect the microphone with the supplied XLR cable to the XLR adapter.
Put the microphone cable into the cable holder on the XLR adapter.
- 4 Connect the adapter to the MIC input of camera. If there is a MIC / Line switch on the camera, select it to MIC.
- 5 Set the recording channel switch.
When using one channel, switch to CH1.CH2.
When using two channels, switch to CH1.
Please Note: If any noise from the unused jack bothers you, please set the INPUT1/INPUT2 (LINE/ MIC/MIC+48V) switch of the unused jack to LINE.
- 6 Set the three level GAIN switches(0dB, +10dB, +20dB) according to your needs.

- 7 Set the LINE/MIC/MIC +48V switch.
When using microphones operating on phantom power (like the supplied SR-NV5 XLR microphone), set to MIC +48V for phantom power.
When using self-power microphones and wireless systems, set to MIC for microphone.
When using mixers and other audio devices, set to LINE for Line.



NOTE: Please DO NOT select phantom level when recording with microphones that do not operate on phantom power, wireless receivers, mixing boards or any unbalanced device, because it may cause damage to both the adapter and audio device.

- 8 Set the LOW CUT switch to ON to reduce wind noise input according to your needs.
- 9 Set the POWER switch to ON.
- 10 Be sure that the VOLUME control is set low to avoid excessively loud audio from damaging your hearing. We suggest you could do a test recording and playback the audio to see if it is acceptable.

3. Packing List

One MixMic kit (includes SR-NV5 XLR Microphone)
One male to female XLR cable
One foam windshield
User manual
Warranty card