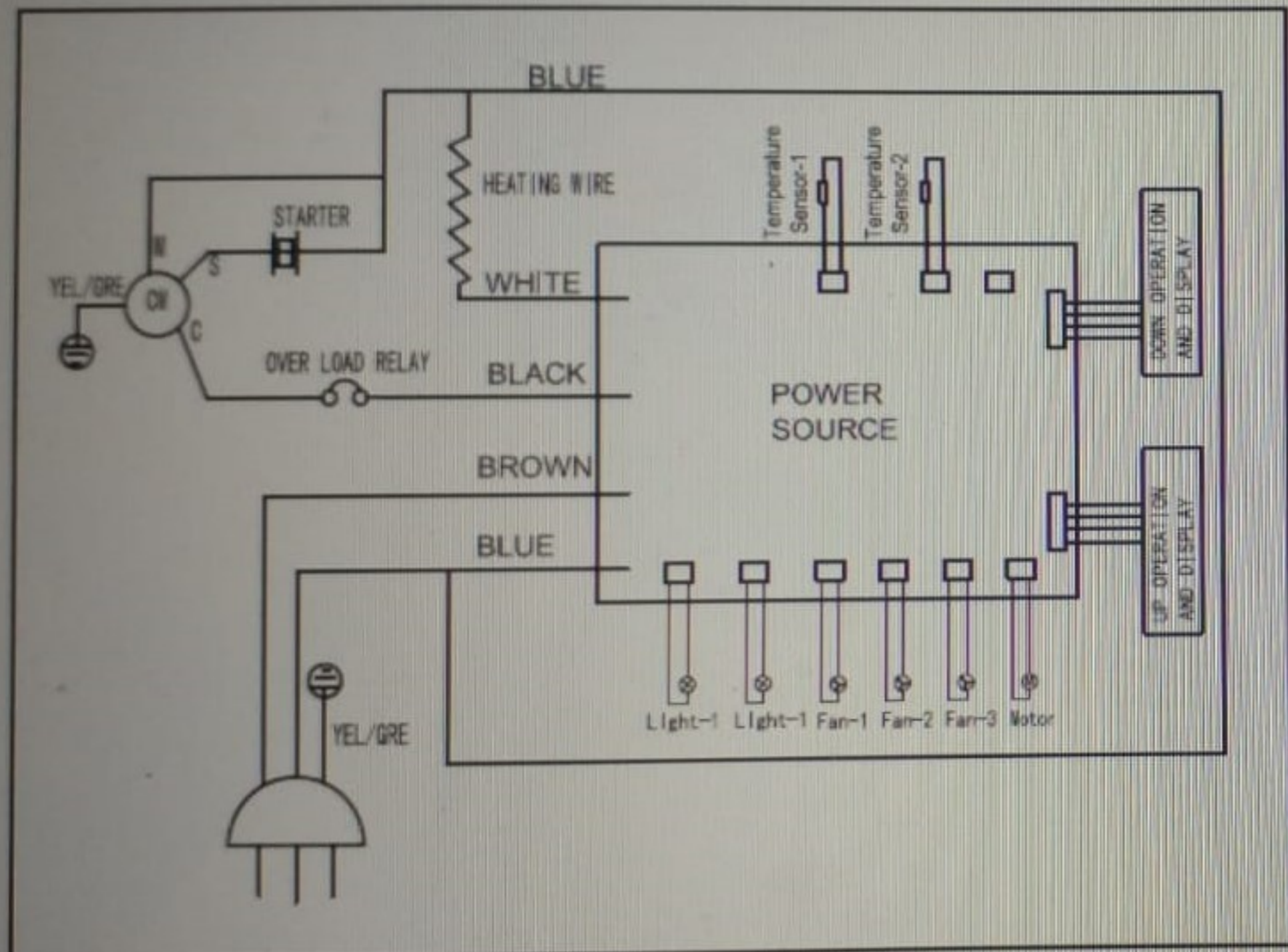




WINE COOLER



Model	B4340
Temp.Zone	2
Cliamate	ST
Protect	I
Volume	113L
Gas	R600a/38g
Voltage	220~240V/50Hz
current	0.35A
Daily energy consumption AE	0.389kW.h/24h
Daily energy consumption E16°C	0.118kW.h/24h
Daily energy consumption E32°C	0.66kW.h/24h
Blowing agent	C ₅ H ₁₀