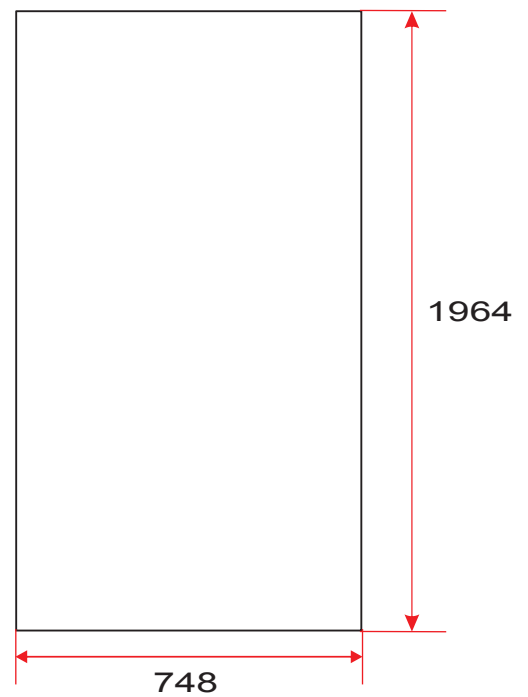
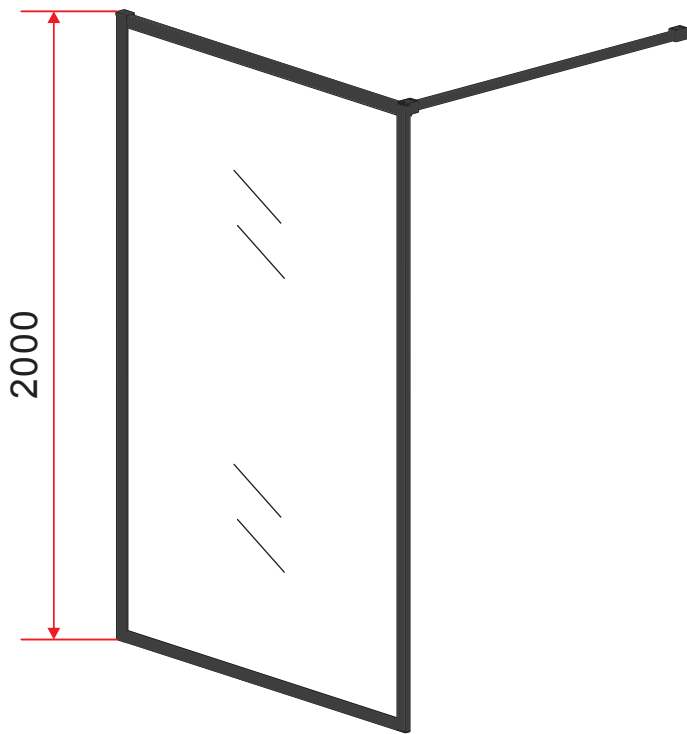
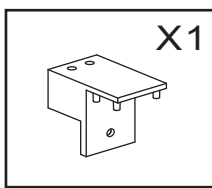
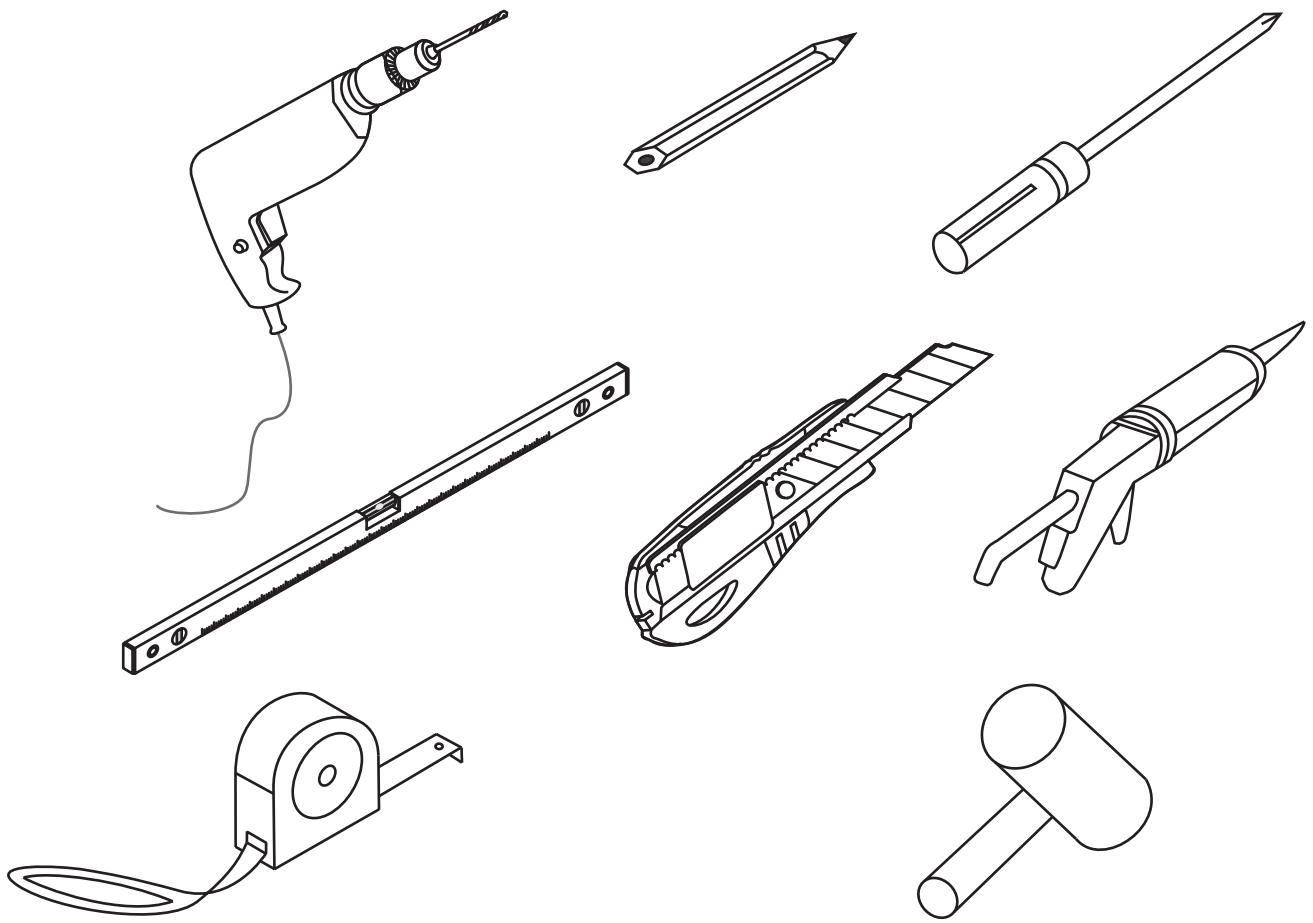


**800x2000mm**

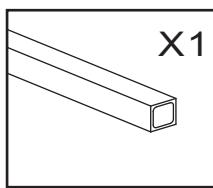


**TECHNICAL DRAWING**

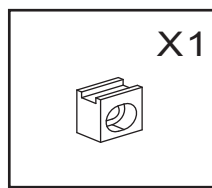




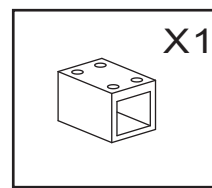
PJ-4230



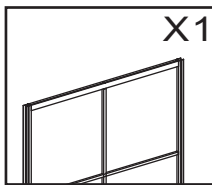
LG-04



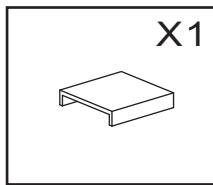
PJ-4207



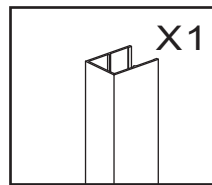
PJ-4206



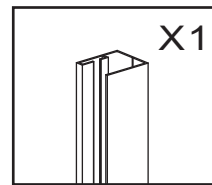
GLASS



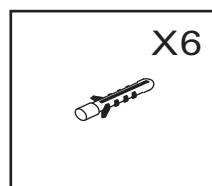
KQ-47cover



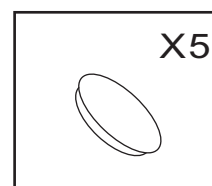
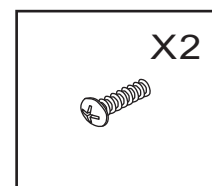
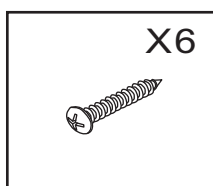
BK-25



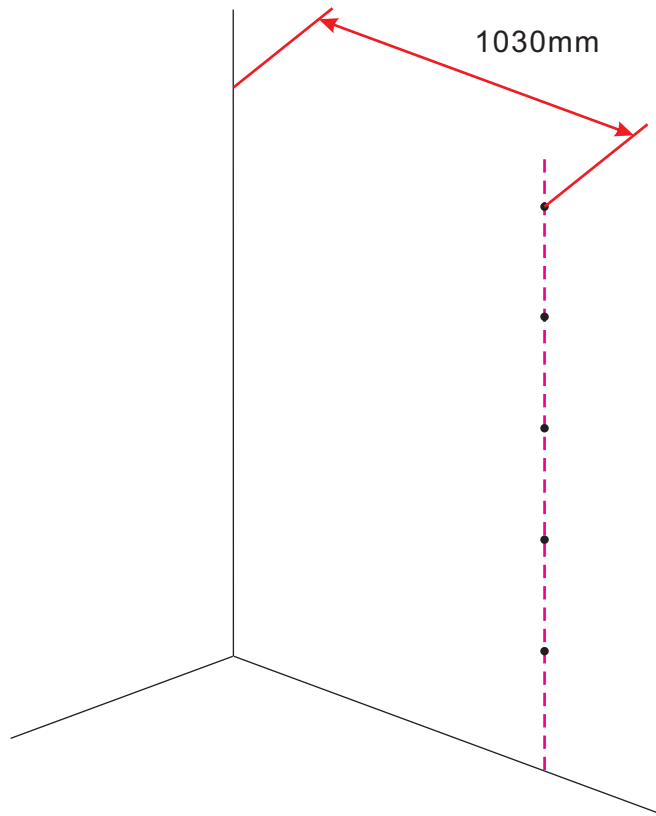
KQ-47



PJ-4606

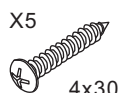
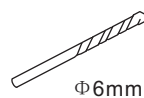
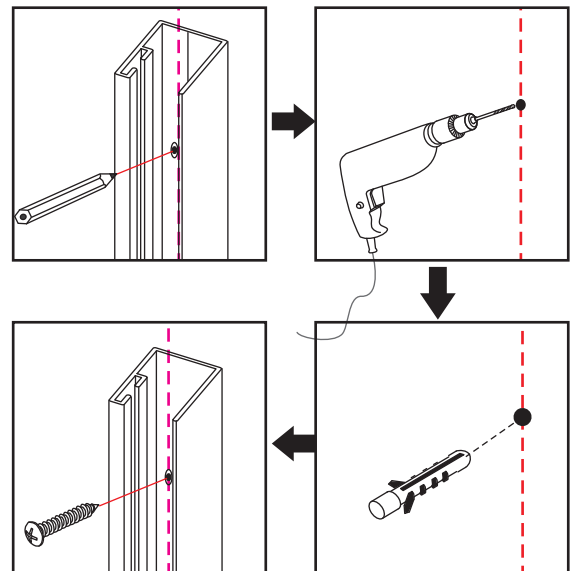
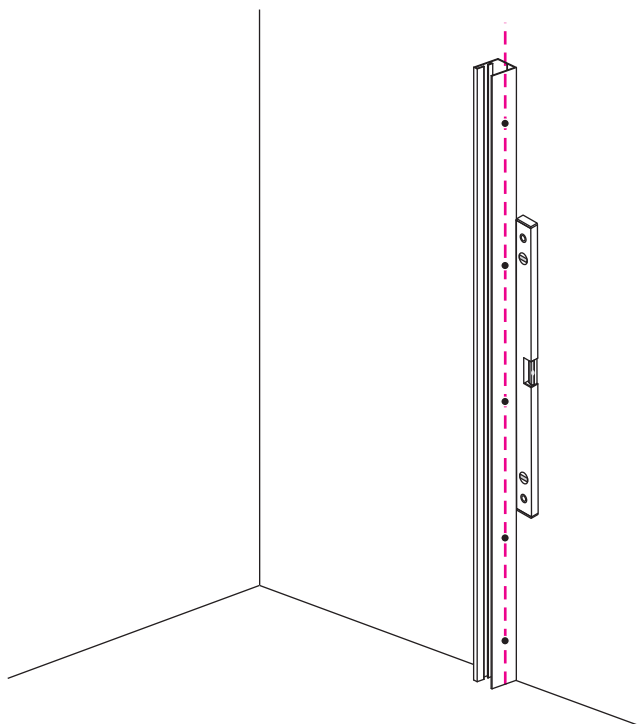


Drawing the install size.



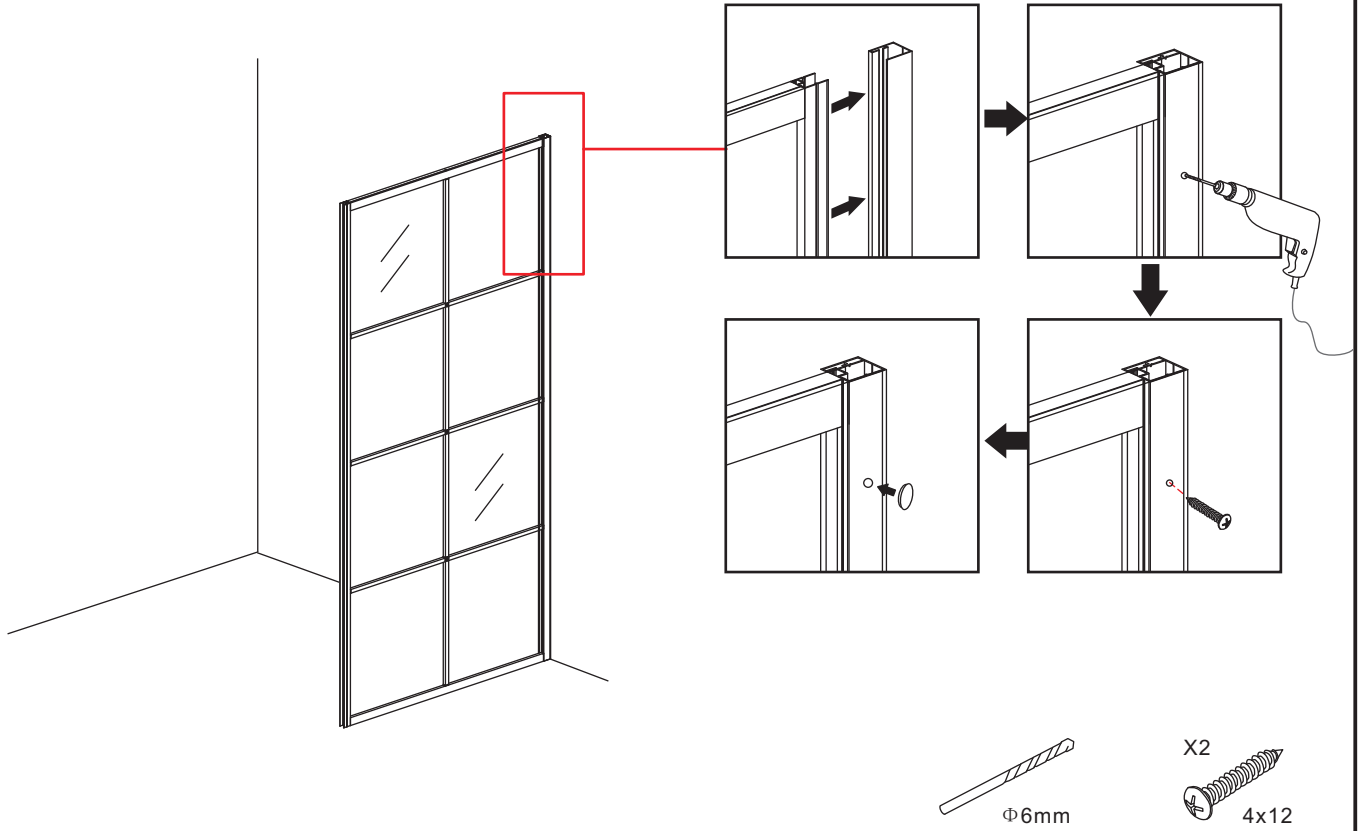
1

Install the wall profile.



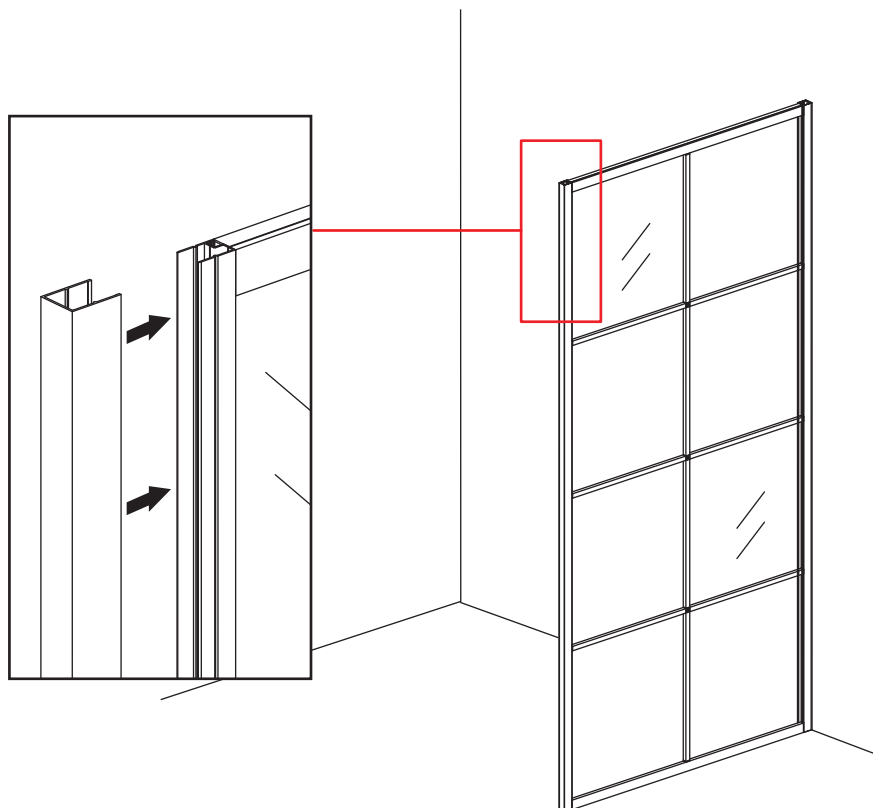
2

Install the fixed glass.



3

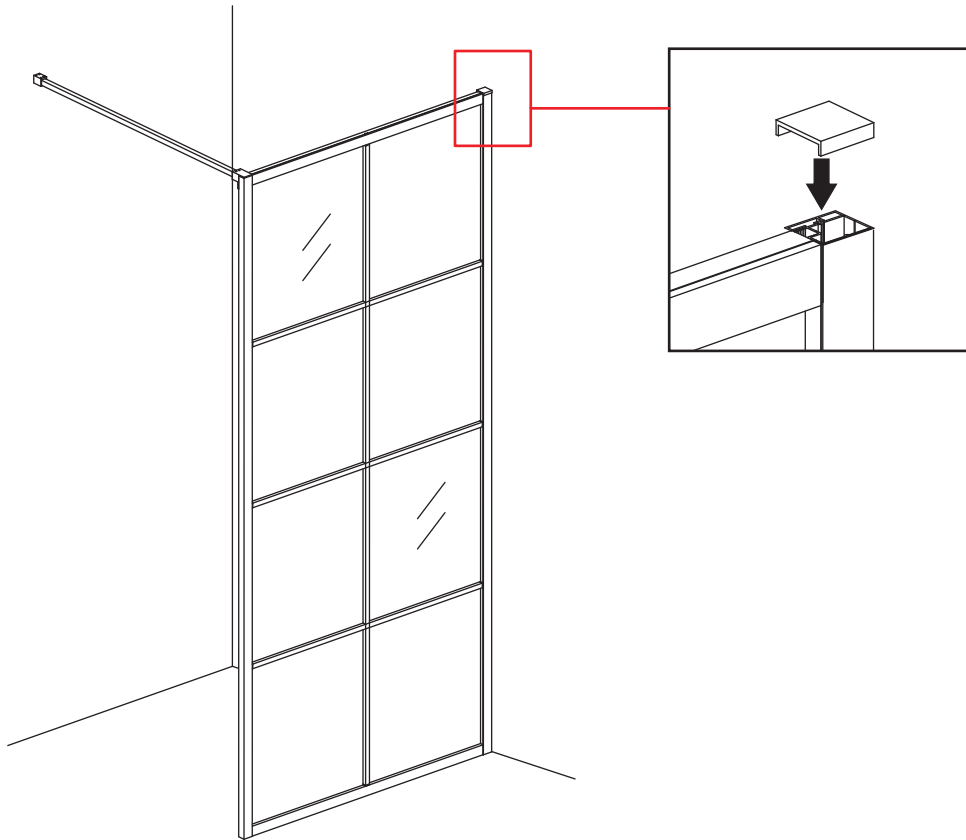
Install the frame profile of broadside fixed glass.



4

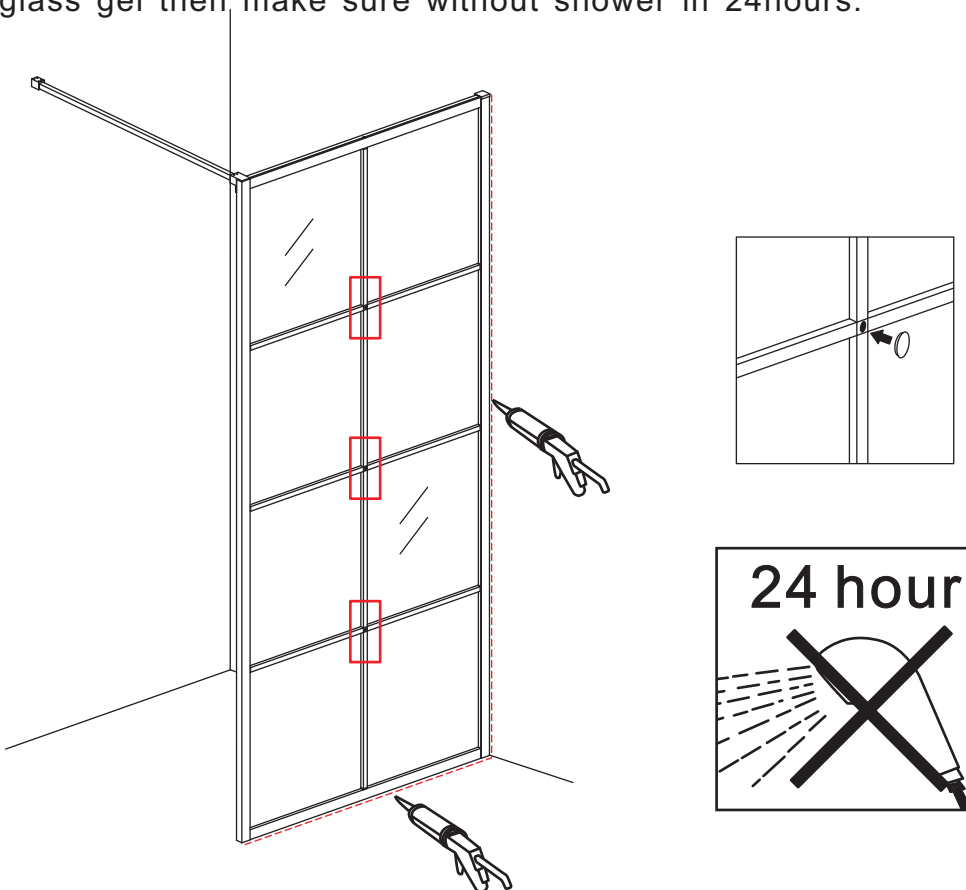


Install the top decorate part.



7

Make the glass gel then make sure without shower in 24hours.



8