

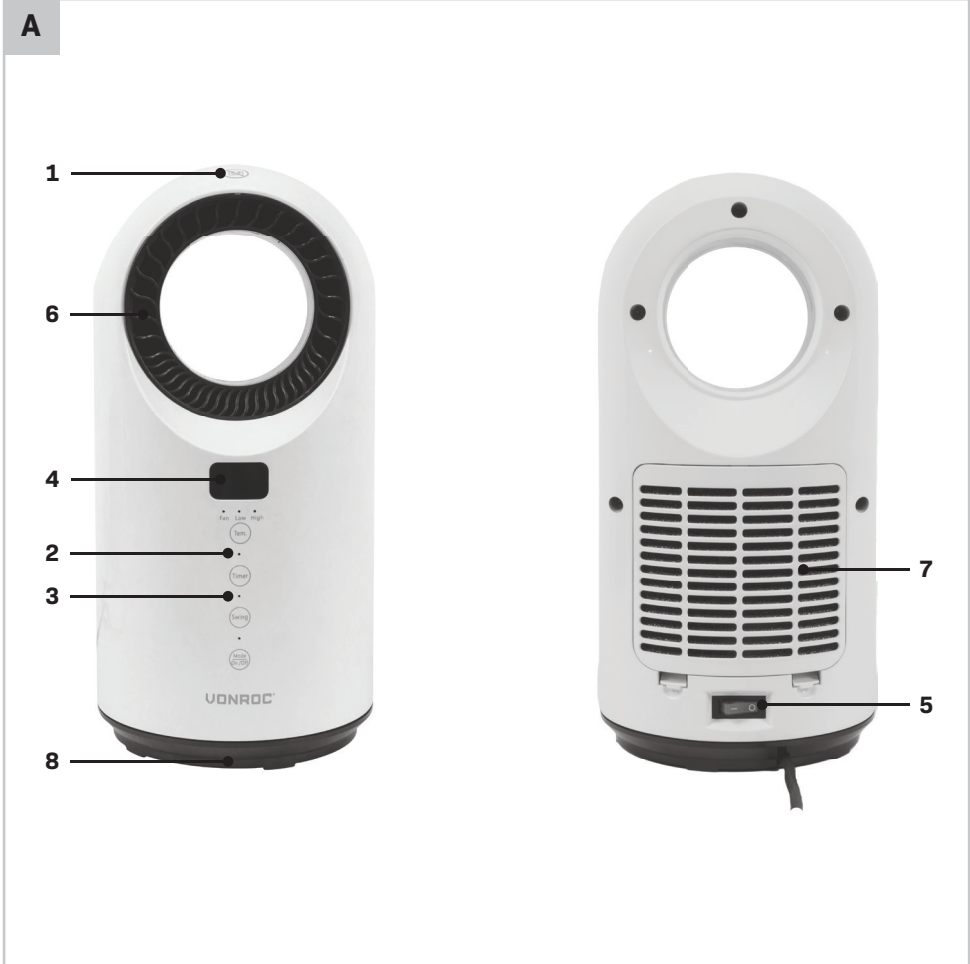


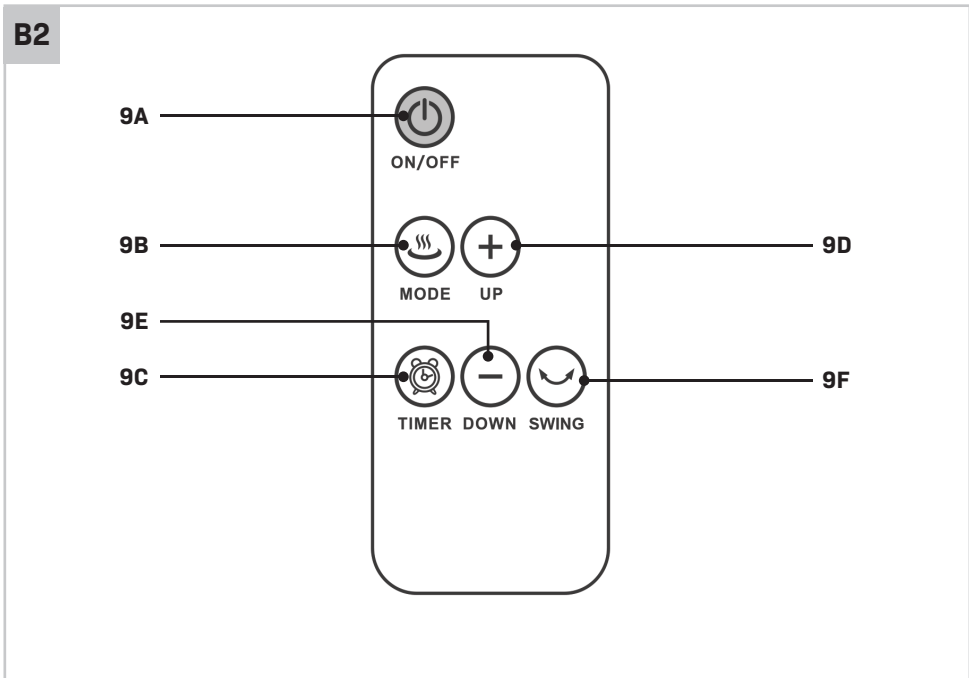
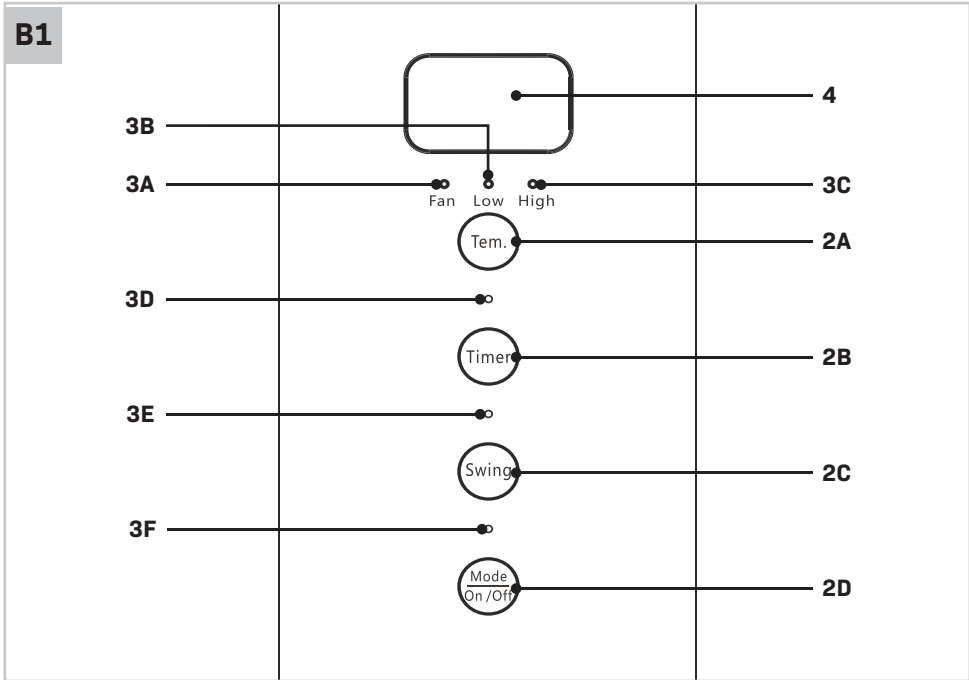
**VONROC®**  
BUILD YOUR FUTURE

# ELECTRIC BLADELESS PTC HEATER EH519AC, EH519AC\_WHITE



<b>EN Original Instructions</b> This product is only suitable for well insulated spaces or occasional use.	<b>04 DA Oversættelse af den originale brugsanvisning</b> Dette produkt er kun velegnet til velisolerede rum eller lejlighedsvis brug	<b>51</b>
<b>DE Übersetzung Der Originalbetriebsanleitung</b> Dieses Produkt ist nur zum Einsatz an gut isolierten Orten oder zur gelegentlichen Verwendung vorgesehen.	<b>10 PL Tłumaczenie instrukcji oryginalnej</b> Ten produkt jest przeznaczony do stosowania wyłącznie w dobrze izolowanych pomieszczeniach lub do użytku okazjonalnego.	<b>57</b>
<b>NL Vertaling van de oorspronkelijke gebruiksaanwijzing</b> Dit product is alleen geschikt voor goed geïsoleerde ruimtes of incidenteel gebruik.	<b>17 RO Traducere a instrucțiunilor originale</b> Acest produs este adecvat numai pentru spații bine izolate sau pentru utilizare ocazională.	<b>64</b>
<b>FR Traduction de la notice originale</b> Ce produit ne convient qu'aux espaces bien isolés ou à un usage occasionnel.	<b>24 PT Instruções originais</b> Este produto é adequado apenas para áreas devidamente isoladas ou uso esporádico.	<b>71</b>
<b>ES Traducción del manual original</b> Este producto solo es apto para espacios correctamente aislados o para uso ocasional.	<b>31 HU Az eredeti használati útmutató fordítása</b> A termék kizárólag jól szigetelt terekben vagy alkalmankénti használatra ajánlott.	<b>78</b>
<b>IT Traduzione delle istruzioni originali</b> Questo prodotto è indicato solamente per spazi ben isolati o un uso occasionale.	<b>38 CS Příklad originálního návodu k obsluze</b> Tento výrobek je vhodný pouze pro dobře izolované prostory nebo pro příležitostné použití.	<b>85</b>
<b>SV Översättning av bruksanvisning i original</b> Denna produkt är endast avsedd för väl isolerade utrymmen eller tillfällig användning.	<b>45</b>	





## 1. SAFETY INSTRUCTIONS

Read the enclosed safety warnings, the additional safety warnings and the instructions. Failure to follow the safety warnings and the instructions may result in electric shock, fire and/or serious injury. Save the safety warnings and the instructions for future reference.

The following symbols are used in the user manual or on the product:



*Read the user manual.*



*Denotes risk of personal injury, loss of life or damage to the tool in case of non-observance of the instructions in this manual.*



*Denotes risk of electrical shock.*



*Class II machine - Double insulation - You don't need any earthed plug.*



*Important! WARNING: In order to avoid overheating, do not cover the heater.*



*Do not dispose of the product in unsuitable containers.*



*The product is in accordance with the applicable safety standards in the European directives.*

### GENERAL SAFETY WARNINGS

This appliance can be used by children aged from 8 years and above and persons with reduced physical, sensory or mental capabilities or lack of experience and knowledge if they have been given supervision or instruction concerning use of the appliance in a safe way and understand the hazards involved. Children shall not play with the appliance.

Cleaning and user maintenance shall not be made by children without supervision.

Children of less than 3 years should be kept away unless continuously supervised. Children aged from 3 years and less than 8 years shall only switch on/off the appliance provided that it has been placed or installed in its intended normal operating position and they have been given supervision or

instruction concerning use of the appliance in a safe way and understand the hazards involved. Children aged from 3 years and less than 8 years shall not plug in, regulate and clean the appliance or perform user maintenance.



**CAUTION — Some parts of this product can become very hot and cause burns. Particular attention has to be given where children and vulnerable people are present.**

### ADDITIONAL SAFETY WARNINGS FOR ELECTRIC HEATER

- Children should be kept away unless continuously supervised to ensure that they do not play with the heater.
- Children shall not plug in, position, operate, regulate and clean the appliance or perform user maintenance.
- CAUTION-some parts of this product can become very hot and cause burns. Particular attention has to be given where children and vulnerable people are present.
- The heater is not suitable for use outdoors in damp weather, in bathrooms or in other wet or damp environments.
- Please note that the heater can become very hot and should, therefore, be placed at a safe distance from flammable object such as furniture, curtains and similar.
- Use handle when moving this heater.
- Do not move the heater when it is heated. Allow the product to thoroughly cool before handling it.
- Do not cover the heater.
- The heater must not be located immediately below a socket outlet.
- Do not connect the heater using an on/off timer or other equipment which can automatically switch the device on.
- The heater must not be placed/used in rooms where flammable liquids or gases are used or stored.
- If an extension cord is used, it must be as short as possible and always be fully extended.
- You must not connect other appliances to the same mains socket as the heater.
- Do not use the heater in immediate surroundings of a bath, a shower or a swimming pool.
- If the supply cord is damaged, it must be replaced by the manufacturer, its service agent or similarly qualified persons in order to avoid a hazard.

- Make sure the heater is always under surveillance and keep children and animals away from it.
- Do not place/use the heater on moving vehicles or some where easy to be tripped over.
- When the heater is not used for a long time, unplug the heater from its means. Pull the plug straight out, never remove the plug by pulling the cord.
- Keep the heater far from curtain or places where the air inlet can easily be blocked.
- The power coupler is waterproof when not in use. In order to prevent possible electric shock or leakage current, never use the heater with wet hand or operate the heater when there is water on the power cord.
- Do not dispose of electrical appliances as unsorted municipal waste, use separate collection facilities. Contact your local government for information regarding the collection systems available. If electrical appliances are disposed of in landfills or dumps, hazardous substances can leak into the groundwater and get into the food chain, damaging your health and well-being.



*Warning! Do not use this heater in small rooms when they are occupied by persons not capable of leaving the room on their own, unless constant supervision is provided.*



*Warning! To reduce the risk of fire, keep textiles, curtains, or any other flammable material a minimum distance of 1 m from the air outlet.*

### Electrical safety

When using electric machines always observe the safety regulations applicable in your country to reduce the risk of fire, electric shock and personal injury. Read the following safety instructions and also the enclosed safety instructions.



*Always check that the voltage of the power supply corresponds to the voltage on the rating plate label.*

If operating a power tool in a damp location is unavoidable, use a residual current device (RCD) protected supply. Use of an RCD reduces the risk of electric shock.

### Using extension cables

Only use an approved extension cable suitable for the power input of the machine. The minimum conductor size is 1.5 mm<sup>2</sup>. When using a cable reel always unwind the reel completely.

## 2. PRODUCT INFORMATION

### Intended use

The electrical heater is intended for indoor, non-commercial, household use for temporarily heating residential rooms. Do not use the product for any other purpose. The heater can be used in enclosed rooms in a free standing position for room heating. The heater may only be used completely mounted and standing vertically on a stable surface. It incorporates a thermostat and a self-resetting thermal cut-out to control the heating element and therefore the temperature.

### TECHNICAL SPECIFICATIONS

Model No.	EH519AC, EH519AC_WHITE
Power supply	220-240 V ~ / 50 Hz
Power rating	1500 W
Settings	Fan / 1000 W / 1500 W
Temperature range	15 - 40°C
Timer	1 - 12 hour
Heating capacity	15 m <sup>2</sup>
Protection class	Class II
Length of cord	1.6 m
Weight	2.1 kg

### DESCRIPTION

The numbers in the text refer to the diagrams on page 2-3.

1. Heater
2. Control panel
  - A. Temperature button
  - B. Timer button
  - C. Oscillation button
  - D. On/off button and mode button
3. Indicator light
  - A. Fan indicator
  - B. Low heat indicator
  - C. High heat indicator
  - D. Timer indicator

- E. Oscillate indicator
- F. Power indicator
- 4. Display
- 5. Main switch
- 6. Air outlet grille
- 7. Air inlet
- 8. Tip-over switch
- 9. Remote control
  - A. On/off button
  - B. Mode button
  - C. Timer button
  - D. Temperature increase button
  - E. Temperature decrease button
  - F. Oscillation button

### 3. OPERATING



*Check the device for damage before use and only use in good working condition.*

When using the heater for the first time, you may notice a slight emission of smoke. This is quite normal and it stops after a short time. The heating element is made of stainless steel and was coated with protection oil by production. The smoke is caused by the left oil when heated.

#### Placing the electric heater

- Place the heater upright on a firm and a level surface.
- Keep a minimum distance of 1 m between the front of the housing and walls and 30 cm from all other housing surface areas. Keep away from wet environments.



*Warning! Make sure to place the heater in a safe spot, so you cannot easily trip over the machine and cable. Make sure to place the heater where it cannot fall down/ of.*

#### Starting the electric heater (Fig A, B)

- Plug in the cable to the mains power outlet.
- Turn the main switch (5) on.
- Press the On/off button and mode button (2D) to start the heater. The last setting has been saved. Press the On/off button and mode button (2D) to change the heating mode.
  - Fan: The fan indicator (3A) will light up.
  - Low heating mode – 1000W: the low heating indicator (3B) will light up. The display (4)

shows flashing “01” for 4 times, then the screen reverts to showing the current ambient temperature.

- High heating mode – 1500W: the high heating indicator (3C) will light up. The display (4) shows flashing “02” for 4 times, then the screen reverts to showing the current ambient temperature.

#### Adjusting the temperature (Fig. B, C)

- By default, the ambient temperature is shown on the display (4).
- The last setting has been saved. The temperature can be set between 15°C and 40°C.
- Set the temperature as desired by press the temperature button (2A, 9D, 9E).
- The target temperature will keep flashing for 5 seconds after the last button press, then the display will show the ambient temperature.

#### Constant room temperature

The heater starts and stops automatically to keep the room temperature constant. Once the ambient temperature in the room reaches the desired target temperature, the heating element will be in standby mode. Once the ambient temperature starts to decrease, the heating element will be switched on again.

#### Functions of the control panel (Fig. B)

The heater can be operate by the control panel (2). The available functions are:

- Temperature button (2A): Press to increase the desired ambient temperature. When the maximum of 40 °C is reached, it will start again at 15 °C.
- Timer button (2B): The timer can be set between 1 hour and 12 hours. Press the timer button (2B) to set the timer with 1 hour intervals. The display (4) shows the duration currently set for 5 seconds. The timer indicator (3D) will light up. Without a timer there is no limit.
- Oscillation button (2C): Press the oscillation button to activate the heater to swing. The oscillate indicator (3E) will light up. Press it again to deactivate.
- On/off and mode button (2D): Cycles between on, fan, low and high heating and off.
  - Fan: The fan indicator (3A) will light up.
  - Low heating mode – 1000W: the low heating indicator (3B) will light up. The display (4)

shows flashing "01" for 4 times, then the screen reverts to showing the current ambient temperature.

- High heating mode – 1500W: the high heating indicator (3C) will light up. The display(4) shows flashing "02" for 4 times, then the screen reverts to showing the current ambient temperature.

#### Functions of the remote control (Fig. C)

In addition to the before mentioned control panel operation, the heater can also be operated by the remote control (9). The available functions are:

- On/off button (9A): Turns the heater on and off.
- Mode button (9B): Cycles between fan, low and high heating.
  - Fan: The fan indicator (3A) will light up.
  - Low heating mode – 1000W: the low heating indicator (3B) will light up. The display (4) shows flashing "01" for 4 times, then the screen reverts to showing the current ambient temperature.
  - High heating mode – 1500W: the high heating indicator (3C) will light up. The display (4) shows flashing "02" for 4 times, then the screen reverts to showing the current ambient temperature.
- Timer button (9C): The timer can be set between 1 hour and 12 hours. Press the timer button (2B) to set the timer with 1 hour intervals. The display (4) shows the duration currently set for 5 seconds. The timer indicator (3D) will light up. Without a timer there is no limit.
- Oscillation button (9F): Press the oscillation button to activate the heater to swing. The oscillate indicator (3E) will light up. Press it again to deactivate.
- Temperature increase button (9D): Press to increase the desired ambient temperature.
- Temperature decrease button (9E): Press to decrease the desires ambient temperature.

#### Tip-over switch (8)

This heater has an mechanical tip-over protection. This protection ensures when the heater is not placed upright on a firm and level surface or when the heater tip over, the system will automatically shut the heater off. If this occurs, put the heater on a firm and level surface and start the heater again.

#### Automatic Overheat Safety Control

This heater is equipped with safety internal heat limiting thermostat and overheat protection circuit. When a potential overheat temperature is reached, the system will automatically shut the heater off. If this occurs, the heater can only resume after resetting it. To reset the heater: Unplug the heater and wait at least 30 minutes to cool down before restarting the heater.

#### Stopping the electric heater (Fig. A, B)



*Let the machine cool down before turning off by using the ventilation function.*

- Press the on/off and mode button (2D) until the fan indicator (3A) starts to flash.
- The fan mode will start and will cool down the heater for 15 seconds. The display will show the duration.
- Pull the plug out of the mains power outlet.

#### Storing the electric heater

- Always let the heater cool down completely before storing the machine.
- Never wrap the cable around the heater



*Warning! Never store the machine in a wet or dusty environment*

## 4. MAINTENANCE



*Before cleaning and maintenance, always switch off the machine and remove the mains plug from the mains.*

#### Cleaning



*Let the machine cool down completely before cleaning.*

- Clean the heater with a (lightly damp) cloth, brush or vacuum cleaner.
- In order to protect the enclosure, don't splash water onto the heater, and never use a solvent like gasoline, isoamyl acetate, toluene, etc. to clean the heater.
- Clean the air inlet and outlet (6, 7) regularly with a vacuum cleaner.
- When you store the heater, let it cool down first and, keep it dry.

**Trouble shooting**

In case the electric heater does not work well, we give you subjoined some possible causes and their solutions.

Problem	Possible cause	Treatment
The heater does not operate, even when it is plugged in and the switch, thermostat are switched on.	The plug is loose, bad connection	Pull out the plug, check the connection of the plug and socket. Then connect again.
	No power in socket outlet	Insert the plug in a proper socket
The heating element glowing	The input voltage is too high or too low	Use power supply according to the rating on the label
	The air inlet grill is blocked	Keep the heater far way from articles like curtain, plastic bag, paper and other things which can cover the inlet or can be easily cover on the air inlet
The appliance didn't heat up, only ventilator worked	The switch was not put at heating setting	Turn the switch to heat setting
	The thermostat operated	Turn the thermostat and listen if there is open/close voice. If there is no click and the thermostat is not damaged, the heater will automatic switch on when the appliance cooled down
	The self-retting cut-out operated	Turn the heater off and inspect the blockage of inlet or outlet. Disconnect the plug and wait at least 10 minutes for the protection system to reset before attempting to restart the heater.
Abnormal noise	The appliance is not stands upright	Put the heater on a level surface

**ENVIRONMENT**



*Faulty and/or discarded electrical or electronic apparatus have to be collected at the appropriate recycling locations.*

**Only for EC countries**

Do not dispose of power tools into domestic waste. According to the European Guideline 2012/19/EU for Waste Electrical and Electronic Equipment and its implementation into national right, power tools that are no longer usable must be collected separately and disposed of in an environmentally friendly way.

**WARRANTY**

VONROC products are developed to the highest quality standards and are guaranteed free of defects in both materials and workmanship for the period lawfully stipulated starting from the date of original purchase. Should the product develop any failure during this period due to defective material and/or workmanship then contact VONROC directly.

The following circumstances are excluded from this guarantee:

- Repairs and or alterations have been made or attempted to the machine by unauthorized service centers;
- Normal wear and tear;
- The tool has been abused, misused or improperly maintained;
- Non-original spare parts have been used.

This constitutes the sole warranty made by company either expressed or implied. There are no other warranties expressed or implied which extend beyond the face hereof, herein, including the implied warranties of merchantability and fitness for a particular purpose. In no event shall VONROC be liable for any incidental or consequential damages. The dealers remedies shall be limited to repair or replacement of nonconforming units or parts.

**The product and the user manual are subject to change. Specifications can be changed without further notice.**



<b>Model identifier(s): EH519AC. EH519AC_WHITE</b>					
<b>Item</b>	<b>Symbol</b>	<b>Value</b>	<b>Unit</b>	<b>Item</b>	<b>Unit</b>
<b>Heat output</b>				<b>Type of heat input, for electric storage local space heaters only (select one)</b>	
Nominal heat output	Pnom	1.5	kW	manual heat charge control, with integrated thermostat	No
Minimum heat output (indicative)	Pmin	1.0	kW	manual heat charge control with room and/or outdoor temperature feedback	No
Maximum continuous heat output	Pmax,c	1.5	kW	electronic heat charge control with room and/or outdoor temperature feedback	No
<b>Auxiliary electricity consumption</b>				fan assisted heat output	No
At nominal heat output	elmax	0.000	kW	<b>Type of heat output/room temperature control (select one)</b>	
At minimum heat output	elmin	0.000	kW	single stage heat output and no room temperature control	No
In standby mode	eISB	0.000	kW	Two or more manual stages, no room temperature control	No
				with mechanic thermostat room temperature control	No
				with electronic room temperature control	Yes
				electronic room temperature control plus day timer	No
				electronic room temperature control plus week timer	No
				<b>Other control options (multiple selections possible)</b>	
				room temperature control, with presence detection	No
				room temperature control, with open window detection	No
				with distance control option	No
				with adaptive start control	No
				with working time limitation	Yes
				with black bulb sensor	No
Contact details	VONROC • Lingenstraat 6 • 8028 PM • Zwolle • The Netherlands				

## 1. SICHERHEITSHINWEISE

Lesen Sie die beigefügten Sicherheitswarnungen, die zusätzlichen Sicherheitswarnungen und die Anweisungen. Die Nichteinhaltung der Sicherheitswarnungen und der Anweisungen kann in einem Stromschlag, Brand und/oder in schweren Verletzungen resultieren. Bewahren Sie die Sicherheitswarnungen und Anweisungen für künftige Referenzzwecke auf.

Die folgenden Symbole werden im Benutzerhandbuch oder auf dem Produkt verwendet:



*Lesen Sie das Benutzerhandbuch.*



*Bedeutet, dass bei Nichtbeachtung der Anweisungen in dieser Anleitung Verletzungen, Tod oder Beschädigung des Werkzeugs die Folge sein können.*



*Weist auf ein Stromschlagrisiko hin.*



*Werkzeug/Gerät der Schutzklasse II - schutzisoliert - kein Schutzkontaktanschluss erforderlich.*



*Wichtig! WARNUNG: Das Heizgerät nicht abdecken, um eine Überhitzung zu vermeiden.*



*Das Produkt nicht in ungeeigneten Behältern entsorgen.*



*Das Produkt entspricht den geltenden Sicherheitsstandards in den europäischen Richtlinien.*

### ALLGEMEINE SICHERHEITSWARNUNGEN

Dieses Gerät darf von Kindern ab 8 Jahren und Personen mit eingeschränkten körperlichen, sensorischen oder geistigen Fähigkeiten oder fehlender Erfahrung und Kenntnissen benutzt werden, wenn sie in sicherer Weise beaufsichtigt oder eingewiesen wurden und die damit verbundenen Gefahren verstehen. Kinder dürfen nicht mit dem Gerät spielen.

Die Reinigung und Pflege durch den Benutzer darf von Kindern nicht ohne Aufsicht durchgeführt werden.

Kinder unter 3 Jahren sollten von diesem Produkt ferngehalten werden, sofern sie nicht ständig beaufsichtigt werden. Kinder zwischen 3 und 8 Jahren dürfen das Gerät nur ein- bzw. ausschalten, wenn das Gerät in seiner vorgesehenen normalen Betriebsposition aufgestellt bzw. installiert wurde und die Kinder in der sicheren Verwendung des Geräts unterwiesen wurden und die entsprechenden Gefahren verstehen oder wenn sie dabei beaufsichtigt werden. Kinder zwischen 3 und 8 Jahren dürfen das Gerät nicht mit der Stromversorgung verbinden und keine Einstellungs-, Reinigungs- oder Wartungsarbeiten daran vornehmen.



**VORSICHT – Einige Teile dieses Produkts können sehr heiß werden und Verbrennungen verursachen. Besondere Aufmerksamkeit ist geboten, wenn Kinder und schutzbedürftige Personen anwesend sind.**

### ZUSÄTZLICHE SICHERHEITSHINWEISE FÜR ELEKTROHEIZUNGEN

- Nicht dauerhaft beaufsichtigte Kinder müssen ferngehalten werden, um sicherzustellen, dass sie nicht mit der Heizung spielen.
- Kinder dürfen das Gerät nicht anschließen, aufstellen, bedienen, regulieren und reinigen oder Wartungsarbeiten durchführen.
- VORSICHT – Einige Teile dieses Produkts können sehr heiß werden und Verbrennungen verursachen. Besondere Aufmerksamkeit ist geboten, wenn Kinder und schutzbedürftige Personen anwesend sind.
- Das Heizgerät ist nicht für den Einsatz im Freien bei feuchtem Wetter, in Badezimmern oder in anderen nassen oder feuchten Umgebungen geeignet.
- Bitte beachten Sie, dass das Heizgerät sehr heiß werden kann und daher in sicherem Abstand zu brennbaren Gegenständen wie Möbeln, Vorhängen und Ähnlichem aufgestellt werden sollte.
- Benutzen Sie den Griff, wenn Sie das Heizgerät bewegen.
- Bewegen Sie das Heizgerät nicht, wenn es aufgeheizt ist. Lassen Sie das Produkt vollständig abkühlen, bevor Sie es handhaben.
- Das Heizgerät nicht abdecken.
- Das Heizgerät darf nicht unmittelbar unter einer Steckdose aufgestellt werden.

- Das Heizgerät nicht mit einem Ein-/Aus-Timer oder anderen Geräten anschließen, die das Gerät automatisch einschalten können.
- Das Heizgerät darf nicht in Räumen aufgestellt/verwendet werden, in denen brennbare Flüssigkeiten oder Gase verwendet oder gelagert werden.
- Wenn ein Verlängerungskabel verwendet wird, muss es so kurz wie möglich und immer vollständig ausgezogen sein.
- Sie dürfen keine anderen Geräte an dieselbe Netzsteckdose wie das Heizgerät anschließen.
- Das Heizgerät nicht in unmittelbarer Nähe von Bädern, Duschen oder Swimmingpools verwenden.
- Wenn das Netzkabel beschädigt ist, muss es vom Hersteller, seinem Kundendienst oder einer ähnlich qualifizierten Stelle ausgetauscht werden, um eine Gefährdung zu vermeiden.
- Sicherstellen, dass das Heizgerät ständig überwacht wird, und Kinder und Tiere von dem Heizgerät fernhalten.
- Das Heizgerät nicht auf fahrende Fahrzeuge oder auf solche stellen, über die leicht gestolpert werden kann.
- Wenn das Heizgerät längere Zeit nicht benutzt wird, den Netzstecker aus der Steckdose ziehen. Den Stecker gerade herausziehen und ihn niemals am Kabel ziehen.
- Das Heizgerät von Vorhängen oder Orten fernhalten, an denen der Lufteinlass leicht blockiert werden kann.
- Der Netzkoppler ist wasserdicht, wenn er nicht verwendet wird. Das Heizgerät niemals mit nassen Händen verwenden und das Heizgerät niemals bedienen, wenn sich Wasser auf dem Netzkabel befindet, um einen möglichen Stromschlag oder Leckstrom zu vermeiden.
- Elektrogeräte nicht über den Hausmüll entsorgen, sondern separate Sammelstellen nutzen. Informationen zu den verfügbaren Sammelsystemen erhalten Sie von Ihrer Gemeindeverwaltung. Bei der Entsorgung von Elektrogeräten in Depo- nien oder auf Halden können gefährliche Stoffe in das Grundwasser und in die Nahrungskette gelangen und Ihre Gesundheit und Ihr Wohlbefinden schädigen.



*Warnung! Verwenden Sie dieses Heizgerät nicht in kleinen Räumen, in denen sich Personen aufhalten, die nicht in der Lage sind, den Raum allein zu verlassen, es sei denn, der Raum wird ständig beaufsichtigt.*



*Warnung! Zur Verringerung der Brandgefahr müssen Textilien, Vorhänge oder andere brennbare Materialien einen Mindestabstand von 1 m vom Luftauslass haben.*

### **Elektrische Sicherheit**

Beachten Sie bei der Verwendung elektrischer Geräte stets die in Ihrem Land geltenden Sicherheitsvorschriften, um die Gefahr von Bränden, Stromschlägen und Verletzungen zu verringern. Lesen Sie die folgenden Sicherheitshinweise und auch die beiliegenden Sicherheitshinweise.



*Immer prüfen, dass die Spannung der Stromversorgung der Spannung auf dem Typenschild entspricht.*

Wenn der Betrieb eines Elektrowerkzeugs in einer feuchten Umgebung unvermeidlich ist, verwenden Sie eine durch einen Fehlerstromschutzschalter geschützte Stromversorgung. Die Verwendung eines Fehlerstromschutzschalters senkt das Stromschlagrisiko.

### **Verwendung von Verlängerungskabeln**

Nur ein zugelassenes Verlängerungskabel verwenden, das für die Eingangsleistung der Maschine geeignet ist. Die minimale Leiterquerschnitt beträgt 1,5 mm<sup>2</sup>. Bei Verwendung einer Kabeltrommel die Trommel immer vollständig abwickeln.

## **2. PRODUKTINFORMATION**

### **Verwendungszweck**

Diese Elektroheizung ist für die nichtgewerbliche, häusliche Verwendung in Innenräumen zur vorübergehenden Beheizung von Wohnräumen vorgesehen. Verwenden Sie das Produkt nicht für andere Zwecke. Das Heizgerät kann in geschlossenen Räumen in freistehender Position zur Raumheizung eingesetzt werden. Diese Heizung darf nur komplett montiert und stehend auf einer stabilen Unterlage betrieben werden. Sie verfügt über einen Thermostat und eine selbstrücksetzende Thermoabschaltung, um das Heizelement und damit die Temperatur zu regeln.

**TECHNISCHE DATEN**

Modellnr.	EH519AC, EH519AC_WHITE
Stromversorgung	220-240 V ~/ 50 Hz
Nennleistung	1500 W
Einstellungen	Fan / 1000 W / 1500 W
Temperaturbereich	15 - 40°C
Timer	1 - 12 hour
Heizleistung	15 m <sup>2</sup>
Schutzklasse	Class II
Kabellänge	1.6 m
Gewicht	2.1 kg

**BESCHREIBUNG**

Die Zahlen im Text beziehen sich auf die Abbildungen auf den Seiten 2-3.

1. Heizgerät
2. Bedienfeld
  - A. Temperaturtaste
  - B. Timer-Taste
  - C. Oszillationstaste
  - D. An-/Ausschalter und Modus-Taste
3. Anzeigen
  - A. Lüfter-Anzeige
  - B. Anzeige für die hohe Heizleistung
  - C. Anzeige für die niedrige Heizleistung
  - D. Timer-Anzeige
  - E. Oszillationsanzeige
  - F. Leistungsanzeige
4. Display
5. Hauptschalter
6. Luftauslassgitter
7. Lufteinlass
8. Kippschutzschalter
8. Fernbedienung
  - A. An-/Ausschalter
  - B. Modus-Taste
  - C. Timer-Taste
  - D. Taste zur Temperaturerhöhung
  - E. Taste zur Temperaturverringerung
  - F. Oszillationstaste

**3. BETRIEB**

*Gerät vor dem Gebrauch auf Beschädigungen prüfen und nur in einwandfreiem Zustand nutzen.*

Bei der erstmaligen Nutzung des Heizgeräts ist möglicherweise eine leichte Rauchentwicklung feststellbar. Das ist ganz normal und hört nach kurzer Zeit auf. Das Heizelement besteht aus Edelstahl und wurde serienmäßig mit Schutzöl beschichtet. Der Rauch wird beim Erhitzen durch das verbleibende Öl verursacht.

**Aufstellen der Elektroheizung**

- Das Heizgerät aufrecht auf eine feste, ebene Fläche stellen.
- Einen Mindestabstand von 1 m zwischen der Vorderseite des Gehäuses und den Wänden und 30 cm zu allen anderen Oberflächenbereichen des Gehäuses einhalten. Vor Nässe schützen.



*Warnung! Sicherstellen, dass das Heizgerät an einem sicheren Ort aufgestellt wird, damit die Maschine und Kabel keine Stolperfalle darstellen. Sicherstellen, dass das Heizgerät nicht herunter-/umfallen kann.*

**Einschalten der Elektroheizung (Abb. A, B)**

- Stecken Sie das Kabel in die Netzsteckdose.
- Schalten Sie den Hauptschalter (5) ein.
- Drücken Sie den An-/Ausschalter und Modus-Taste (2D), um das Heizgerät zu starten. Die letzte Einstellung wurde gespeichert.
  - Die Ein-/Aus- und Modus-Taste (2D) wechselt zwischen folgenden Modi: eingeschaltet, Lüfter, niedrige Heizleistung, hohe Heizleistung und ausgeschaltet.
    - Lüfter: Die Lüfter-Anzeige (3A) leuchtet auf.
    - Niedrige Heizleistung – 1000W: Die Anzeige für die niedrige Heizleistung (3B) leuchtet auf. Das Display (4) zeigt 4 Mal blinkend „01“ an, danach zeigt es wieder die aktuelle Umgebungstemperatur.
    - Hohe Heizleistung – 1500 W: Die Anzeige für die hohe Heizleistung (3C) leuchtet auf. Das Display (4) zeigt 4 Mal blinkend „02“ an, danach zeigt es wieder die aktuelle Umgebungstemperatur.

**Einstellen der Temperatur (Abb. B, C)**

- Standardmäßig wird auf dem Display (4) die Umgebungstemperatur angezeigt.
- Die letzte Einstellung wurde gespeichert. Die Temperatur kann zwischen 15°C und 40°C eingestellt werden.

- Stellen Sie die gewünschte Temperatur ein, indem Sie die Taste zum Temperaturtaste (2A, 9D, 9E) drücken.
- Die Zieltemperatur blinkt nach dem letzten Tastendruck noch 5 Sekunden lang, dann zeigt das Display die Umgebungstemperatur an.

### Konstante Zimmertemperatur

Das Heizgerät startet und stoppt automatisch und hält so die Raumtemperatur konstant. Sobald die Umgebungstemperatur im Raum die gewünschte Zieltemperatur erreicht hat, geht das Heizelement in den Bereitschaftsmodus. Sobald die Umgebungstemperatur zu sinken beginnt, schaltet sich das Heizelement wieder ein.

### Funktionen des Bedienfelds (Abb. B)

Die Heizung kann über das Bedienfeld (2) gesteuert werden. Die verfügbaren Funktionen sind:

- Temperaturtaste (2A): Drücken, um die gewünschte Umgebungstemperatur zu erhöhen. Wenn der Höchstwert von 40 °C erreicht ist, wird wieder 15 °C angezeigt.
- Timer-Taste (2B): Der Timer kann zwischen 1 Stunde und 12 Stunden eingestellt werden. Drücken Sie die Timer-Taste (2B), um den Timer in Schritten von 1 Stunde einzustellen. Auf dem Display (4) blinkt die aktuell eingestellte Dauer für 5 Sekunden. Die Timer-Anzeige (3D) leuchtet auf. Ohne Timer gibt es keine Beschränkung.
- Oszillationstaste (2C): Drücken Sie die Oszillationstaste, um die Oszillationsbewegung zu aktivieren. Die Oszillationsanzeige (3E) leuchtet auf. Zum Deaktivieren drücken Sie die Taste erneut.
- An-/Ausschalter und Modus-Taste (2D): eingeschaltet, Lüfter, niedrige Heizleistung, hohe Heizleistung und ausgeschaltet.
  - Lüfter: Die Lüfter-Anzeige (3A) leuchtet auf.
  - Niedrige Heizleistung – 1000W: Die Anzeige für die niedrige Heizleistung (3B) leuchtet auf. Das Display (4) zeigt 4 Mal blinkend „01“ an, danach zeigt es wieder die aktuelle Umgebungstemperatur.
  - Hohe Heizleistung – 1500 W: Die Anzeige für die hohe Heizleistung (3C) leuchtet auf. Das Display (4) zeigt 4 Mal blinkend „02“ an, danach zeigt es wieder die aktuelle Umgebungstemperatur.

### Funktionen der Fernbedienung (Abb. F)

Zusätzlich zu der beschriebenen Nutzung des Bedienfeldes kann das Heizgerät auch über die Fernbedienung (9) gesteuert werden. Die verfügbaren Funktionen sind:

- An-/Ausschalter (9A): Schaltet das Heizgerät ein und aus.
- Modus-Taste (9B): Wechselt zwischen Lüfter-Modus, niedriger und hoher Heizleistung.
  - Lüfter: Die Lüfter-Anzeige (3A) leuchtet auf.
  - Niedrige Heizleistung – 1000W: Die Anzeige für die niedrige Heizleistung (3B) leuchtet auf. Das Display (4) zeigt 4 Mal blinkend „01“ an, danach zeigt es wieder die aktuelle Umgebungstemperatur.
  - Hohe Heizleistung – 1500 W: Die Anzeige für die hohe Heizleistung (3C) leuchtet auf. Das Display (4) zeigt 4 Mal blinkend „02“ an, danach zeigt es wieder die aktuelle Umgebungstemperatur.
- Timer-Taste (9C): Der Timer kann zwischen 1 Stunde und 12 Stunden eingestellt werden. Auf dem Display blinkt die aktuell eingestellte Dauer für 5 Sekunden. Drücken Sie die Timer-Taste, um den Timer in Schritten von 1 Stunde einzustellen. Die Timer-Anzeige (3B) leuchtet auf. Ohne Timer gibt es keine Beschränkung.
- Oszillationstaste (9F): Drücken Sie die Oszillationstaste, um die Oszillationsbewegung zu aktivieren. Die Oszillationsanzeige (3E) leuchtet auf. Zum Deaktivieren drücken Sie die Taste erneut.
- Taste zur Temperaturerhöhung (9D): Drücken, um die gewünschte Umgebungstemperatur zu erhöhen.
- Taste zur Temperaturverringern (9E): Drücken, um die gewünschte Umgebungstemperatur zu verringern.

### Kippschutzschalter (8)

Dieses Heizgerät ist mit einem mechanischen Kippschutz ausgestattet. Diese Schutzvorrichtung stellt sicher, dass das System das Heizgerät automatisch ausschaltet, wenn es nicht auf einer festen und ebenen Fläche steht oder falls es umkippt. Stellen Sie in diesem Fall das Heizgerät auf eine feste und ebene Fläche und schalten es wieder ein.

**Automatische Überhitzungssicherung**

Dieses Heizgerät ist mit einem internen Sicherheitstemperaturbegrenzer und einem Überhitzungsschutz ausgestattet. Wenn eine mögliche Überhitzungstemperatur erreicht ist, schaltet das System die Heizung automatisch ab. In diesem Fall kann das Heizgerät erst nach dem Zurücksetzen wieder in Betrieb genommen werden. Zurücksetzen des Heizgeräts: Ziehen Sie den Stecker aus der Steckdose und warten Sie vor erneuten Inbetriebnahme mindestens 30 Minuten, bis das Heizgerät abgekühlt ist.

**Abschalten der Elektroheizung (Abb. A, B)**



*Das Gerät abkühlen lassen, bevor es mit der Lüftungsfunktion ausgeschaltet wird.*

- Drücken Sie die Ein-/Aus- und Modus-Taste (2D), bis die Lüfteranzeige (3A) zu blinken beginnt.
- Der Lüfter-Modus wird gestartet und kühlt das Heizgerät 30 Sekunden lang ab. Das Display zeigt die Dauer an.
- Schalten Sie den Hauptschalter (5) aus.
- Den Stecker aus der Steckdose ziehen.

**Aufbewahren der Elektroheizung**

- Die Heizung immer vollständig abkühlen lassen, bevor Sie das Gerät lagern.
- Das Kabel niemals um die Heizung wickeln.



*Warnung! Das Gerät niemals in feuchter oder staubiger Umgebung lagern.*

**4. WARTUNG**



*Vor dem Beginn von Reinigungs- und Wartungsarbeiten immer erst die Maschine ausschalten und den Stecker aus der Steckdose ziehen.*

**Reinigung**



*Das Gerät vor der Reinigung vollständig abkühlen lassen.*

- Reinigen Sie das Heizgerät mit einem (leicht feuchten) Tuch, einer Bürste oder einem Staubsauger.
- Um das Gehäuse zu schützen, kein Wasser auf die Heizung spritzen und niemals Lösungsmittel wie Benzin, Isoamylacetat, Toluol usw. verwenden, um die Heizung zu reinigen.

- Reinigen Sie den Lufteinlass und -auslass (6, 7) regelmäßig mit einem Staubsauger.
- Soll das Heizgerät gelagert werden, dann muss es sich zunächst abkühlen und es muss trocken gehalten werden.

**Fehlersuche**

Für den Fall, dass die elektrische Heizung nicht richtig funktioniert, geben wir Ihnen einige mögliche Ursachen und deren Lösungen an.

Problem	Mögliche Ursache	Behandlung
Die Heizung funktioniert nicht, auch wenn sie eingesteckt ist und der Thermostatschalter eingeschaltet ist.	Der Stecker ist lose, schlechte Verbindung	Den Stecker herausziehen, die Verbindung des Steckers und der Steckdose prüfen. Dann wieder anschließen.
	Kein Strom in Steckdose	Den Stecker in eine ordnungsgemäße Steckdose stecken
Das Heizelement glüht	Die Eingangsspannung ist zu hoch oder zu niedrig	Das Netzteil gemäß den Angaben auf dem Etikett verwenden
	Das Lufteinlassgitter ist verstopft	Das Heizgerät fern von Gegenständen halten, wie Vorhängen, Plastiktüten, Papier und anderen Gegenständen, die den Einlass verdecken oder sich leicht am Lufteinlass abdecken lassen
Das Gerät heizte nicht auf, nur der Ventilator funktionierte	Der Schalter wurde nicht auf Heizstufe gestellt	Den Schalter auf Heizstufe stellen
	Das Thermostat funktionierte	Das Thermostat drehen und hören, ob ein Öffnen-/Schließen-Geräusch ertönt. Wenn kein Klicken zu hören ist und der Thermostat nicht beschädigt ist, schaltet sich die Heizung automatisch ein, wenn das Gerät abgekühlt ist
	Die selbstrücksetzende Abschaltung war in Betrieb	Das Heizgerät ausschalten und die Verstopfung des Ein- oder Auslasses prüfen. Den Netzstecker ziehen und mindestens 10 Minuten warten, bis das Schutzsystem zurückgesetzt ist, bevor Sie versuchen, das Heizgerät neu zu starten.
Ungewöhnliches Geräusch	Das Gerät steht nicht aufrecht	Das Heizgerät auf eine ebene Fläche stellen

## UMWELT



*Fehlerhafte und/oder ausgesonderte elektrische oder elektronische Geräte müssen zu den entsprechenden Recycling-orten gebracht werden.*

### Nur für EU-Länder

Entsorgen Sie Elektrowerkzeuge nicht im Hausmüll. Nach der europäischen Richtlinie 2012/19/EU über Elektro- und Elektronik-Altgeräte und ihrer Umsetzung in nationales Recht müssen Elektrowerkzeuge, die nicht mehr verwendet werden sollen, getrennt gesammelt und auf umweltgerechte Weise entsorgt werden.

## GARANTIE

VONROC-Produkte werden nach den höchsten Qualitätsstandards entwickelt und sind für den gesetzlich festgelegten Zeitraum ab dem Datum des ursprünglichen Kaufs garantiert frei von Material- und Verarbeitungsfehlern. Sollte das Produkt während dieses Zeitraums aufgrund von Material- und/oder Verarbeitungsfehlern ausfallen, wenden Sie sich bitte direkt an VONROC.

Folgende Umstände sind aus der Garantie ausgeschlossen:

- An der Maschine wurden von nicht autorisierten Servicestellen Reparaturen und/oder Änderungen vorgenommen oder versucht;
- Normaler Verschleiß;
- Das Gerät wurde missbräuchlich oder falsch verwendet oder unsachgemäß gewartet;
- Es wurden keine Originalersatzteile verwendet.

Dies ist die einzige ausdrückliche oder stillschweigende Garantie, die das Unternehmen übernimmt. Es gibt keine weiteren ausdrücklichen oder stillschweigenden Garantien, die über die hierin enthaltenen Angaben hinausgehen, einschließlich der stillschweigenden Garantien der Gebrauchstauglichkeit und Eignung für einen bestimmten Zweck. VONROC haftet in keinem Fall für zufällige Schäden oder Folgeschäden. Die Rechtsmittel des Händlers beschränken sich auf die Reparatur oder den Austausch der nicht konformen Geräte oder Teile.

**Das Produkt und die Bedienungsanleitung können Änderungen unterliegen. Technische Daten können ohne vorherige Ankündigung geändert werden.**

Modellbezeichnung(en): EH519AC, EH519AC_WHITE					
Artikel	Symbol	Wert	Einheit	Artikel	Einheit
<b>Wärmeleistung</b>				<b>Art der Wärmezufuhr, nur für elektrische lokale Speicherheizgeräte (eine Option auswählen)</b>	
Nennwärmeleistung	P <sub>nom</sub>	1,5	kW	manuelle Wärmeabgaberegulung, mit integriertem Thermostat	Nein
Minimale Wärmeleistung (Richtwert)	P <sub>min</sub>	1,0	kW	manuelle Wärmeabgaberegulung mit Raum- und/oder Außentemperaturrückmeldung	Nein
Maximale kontinuierliche Wärmeleistung	P <sub>max,c</sub>	1,5	kW	elektronische Wärmeabgaberegulung mit Raum- und/oder Außentemperaturrückmeldung	Nein
<b>Hilfsstromverbrauch</b>				gebläseunterstützte Wärmeleistung	
Bei Nennwärmeleistung	el <sub>max</sub>	0,000	kW	<b>Art der Wärmeleistungs-/Raumtemperaturregelung (eine Option auswählen)</b>	
Bei minimaler Wärmeleistung	el <sub>min</sub>	0,000	kW	einstufige Wärmeleistung und keine Raumtemperaturregelung	Nein
Im Bereitschaftsmodus	el <sub>SB</sub>	0,001	kW	Zwei oder mehr manuelle Stufen, keine Raumtemperaturregelung	Nein
				mit mechanischem Thermostat zur Raumtemperaturregelung	Nein
				mit elektronischer Raumtemperaturregelung	Ja
				elektronische Raumtemperaturregelung plus Tageszeitschaltuhr	Nein
				elektronische Raumtemperaturregelung plus Wochenzeitschaltuhr	Nein
<b>Weitere Regelungsoptionen (Mehrfachauswahl möglich)</b>					
				Raumtemperaturregelung, mit Anwesenheitserkennung	Nein
				Raumtemperaturregelung, mit Erkennung offener Fenster	Nein
				mit Fernbedienungsoption	Nein
				mit adaptiver Startregelung	Nein
				mit Betriebszeitbegrenzung	Ja
				mit schwarzem Glühbirnensensor	Nein
Kontaktinformationen	VONROC • Lingenstraat 6 • 8028 PM • Zwolle • Niederlande				



## 1. VEILIGHEIDSINSTRUCTIES

Lees de bijgesloten veiligheidswaarschuwingen, de aanvullende veiligheidswaarschuwingen en de instructies. Geef u geen gevolg aan de veiligheidswaarschuwingen en de instructies dan kan dat een elektrische schok, brand en/of ernstig letsel tot gevolg hebben. Bewaar de veiligheidswaarschuwingen en de instructies zodat u ze later ook nog kunt raadplegen.

De volgende symbolen worden gebruikt in de gebruiksaanwijzing of op het product:



*Lees de gebruiksaanwijzing.*



*Duidt op risico op persoonlijk letsel, gevaar van een ongeluk met dodelijke afloop of beschadiging van het gereedschap als de instructies in deze handleiding niet worden opgevolgd.*



*Wijst op het risico op een elektrische schok.*



*Klasse II machine - Dubbele isolatie - Een geaarde stekker is niet nodig.*



*Belangrijk! WAARSCHUWING: Dek de kachel niet af om oververhitting te voorkomen.*



*Gooi het product niet weg in containers die daarvoor niet geschikt zijn.*



*Het product voldoet aan de geldende veiligheidsnormen van de Europese richtlijnen.*

### ALGEMENE VEILIGHEIDSWAARSCHUWINGEN

Dit apparaat mag worden gebruikt door kinderen vanaf 8 jaar en door personen met verminderde lichamelijke, zintuiglijke of geestelijke vermogens, of met een gebrek aan ervaring en kennis, mits zij onder toezicht staan of geïnstrueerd zijn betreffende het veilig gebruik van het apparaat en zich bewust zijn van de ermee verbonden risico's. Kinderen mogen niet met het apparaat spelen. Zonder toezicht mogen reiniging en onderhoud niet door kinderen worden uitgevoerd.

Kinderen jonger dan 3 jaar moeten uit de buurt worden gehouden, tenzij ze onder voortdurend toezicht staan. Kinderen vanaf de leeftijd van 3 jaar

en jonger dan 8 jaar mogen het apparaat alleen in- en uitschakelen, mits het apparaat is geplaatst of geïnstalleerd op een locatie die bedoeld is als de normale positie waarin het apparaat wordt gebruikt en zij onder toezicht staan of instructies hebben gekregen over het veilige gebruik van het apparaat en de gevaren ervan hebben begrepen. Kinderen vanaf de leeftijd van 3 jaar en jonger dan 8 jaar mogen de stekker van het apparaat niet in het stopcontact steken, het apparaat niet instellen noch reinigen, noch onderhoud van het apparaat uitvoeren.



**LET OP - Sommige delen van dit product kunnen zeer warm worden en brandwonden veroorzaken. Er moet speciale aandacht worden besteed aan kinderen en kwetsbare personen.**

### AANVULLENDE VEILIGHEIDSWAARSCHUWINGEN VOOR ELEKTRISCHE VERWARMING

- Kinderen moeten uit de buurt gehouden worden, tenzij ze voortdurend onder toezicht staan zodat ze niet met de verwarming kunnen spelen.
- Kinderen mogen het apparaat niet aansluiten, plaatsen, bedienen, regelen en schoonmaken en geen gebruikersonderhoud uitvoeren.
- LET OP - Sommige delen van dit product kunnen zeer warm worden en brandwonden veroorzaken. Er moet speciale aandacht worden besteed aan kinderen en kwetsbare personen.
- De verwarming is niet geschikt voor gebruik buitenshuis bij vochtig weer, in badkamers of in andere natte of vochtige omgevingen.
- Houd er rekening mee dat het apparaat zeer warm kan worden en daarom op een veilige afstand van brandbare voorwerpen zoals meubels, gordijnen en dergelijke geplaatst moet worden.
- Gebruik de handgreep om deze verwarming te verplaatsen.
- Verplaats de verwarming niet wanneer deze warm is. Laat het product goed afkoelen voordat u het hanteert.
- Dek de verwarming niet af.
- De verwarming mag niet direct onder een stopcontact worden geplaatst.
- Sluit de verwarming niet aan met een aan/uit-timer of andere apparatuur waarmee het apparaat automatisch kan worden ingeschakeld.
- De verwarming mag niet worden geplaatst/gebruikt in ruimtes waar brandbare vloeistoffen of gassen worden gebruikt of opgeslagen.

- Als een verleng snoer wordt gebruikt, moet dit zo kort mogelijk zijn en altijd volledig zijn afgerold.
- U mag geen andere apparaten op hetzelfde stopcontact aansluiten.
- Gebruik de verwarming niet in de directe omgeving van een bad, douche of zwembad.
- Als het netsnoer beschadigd is, moet dit worden vervangen door de fabrikant, diens onderhoudsvertegenwoordiger of andere gekwalificeerde personen om gevaren te voorkomen.
- Zorg ervoor dat de verwarming altijd onder toezicht staat en houd kinderen en dieren uit de buurt.
- Plaats/gebruik de verwarming niet op bewegende voertuigen of op plaatsen waar er gemakkelijk over gestruikeld kan worden.
- Wanneer de verwarming gedurende lange tijd niet gebruik zal worden, trek de stekker dan uit het stopcontact. Trek de stekker recht naar buiten, verwijder nooit de stekker door aan het snoer te trekken.
- Houd het apparaat ver weg van gordijnen of van plaatsen waar de luchtinlaat gemakkelijk kan worden geblokkeerd.
- De stroomkoppeling is waterdicht als deze niet in gebruik is. Om mogelijke elektrische schokken of lekstroom te voorkomen, mag u het apparaat nooit met natte handen gebruiken of het apparaat bedienen als er water op het netsnoer is.
- Gooi elektrische apparaten niet weg als ongesorteerd gemeentelijk afval, maar gebruik gescheiden inzamelvoorzieningen. Neem contact op met uw lokale overheid voor informatie over de beschikbare inzamelsystemen. Als elektrische apparaten worden afgevoerd op een stortterrein of vuilnisbelt, kunnen gevaarlijke stoffen in het grondwater lekken en in de voedselketen terechtkomen, waardoor uw gezondheid en welzijn worden geschaad.



**Waarschuwing!** Gebruik deze verwarming niet in kleine kamers, als er zich personen in bevinden die de kamer niet op eigen kracht kunnen verlaten, tenzij deze onder voortdurend toezicht staan.



**Waarschuwing!** Houd, om het risico op brand te verminderen, stoffen, gordijnen of andere brandbare materialen op een minimumafstand van 1 m van de luchtuitlaat.

### Elektrische veiligheid

Volg tijdens het gebruiken van elektrische apparaten altijd de veiligheidsregels die gelden in uw land om het risico op brand, een elektrische schok en persoonlijk letsel te verminderen. Lees de volgende veiligheidsinstructies en de bijgevoegde veiligheidsinstructies.



*Controleer altijd of de voeding overeenstemt met de spanning die wordt vermeld op het typeplaatje.*

Als het gebruik van elektrisch gereedschap in een vochtige ruimte niet kan worden voorkomen, gebruik dan een altijd een aardlekschakelaar. Het gebruik van een aardlekschakelaar zal het risico op een elektrische schok verminderen.

## 2. PRODUCTINFORMATIE

### Bedoeld gebruik

De elektrische verwarming is bedoeld voor gebruik binnen, in een niet commerciële huishoudelijke omgeving en voor het tijdelijk verwarmen van leefruimtes. Gebruik het product niet voor een ander doeleinde. De verwarming kan worden gebruikt in gesloten ruimtes in een vrijstaande positie voor kamerverwarming. De verwarming mag alleen volledig gemonteerd en verticaal op een stabiel oppervlak worden gebruikt. Het bevat een thermostat en een zelfherstellende thermische beveiliging om het verwarmingselement en daarmee de temperatuur te regelen.

### TECHNISCHE SPECIFICATIES

Modelnr.	EH519AC, EH519AC_WHITE
Voeding	220-240 V ~ / 50 Hz
Vermogensklasse	1500 W
Instellingen	Fan / 1000 W / 1500 W
Temperatuurbereik	15 - 40°C
Timer	1 - 12 uur
Verwarmingcapaciteit	15 m <sup>2</sup>
Beschermingsgraad	Class II
Lengte van het snoer	1.6 m
Gewicht	2.1 kg

## BESCHRIJVING

De nummers in deze tekst verwijzen naar de diagrammen op pagina 2-3.

1. Verwarming
2. Bedieningspaneel
  - A. Temperatuurknop
  - B. Timerknop
  - C. Oscillatieknop
  - D. Aan/uit-knop en standenknop
3. Indicatielampjes
  - A. Indicatie ventilator
  - B. Indicatie hoog verwarmingsvermogen
  - C. Indicatie laag verwarmingsvermogen
  - D. Indicatie timer
  - E. Indicatie oscillatie
  - F. Aan/uit-indicatielampje
4. Scherm
5. Hoofdschakelaar
6. Luchtuitlaatrooster
7. Luchtinlaat
8. Kantelschakelaar
9. Afstandsbediening
  - A. Aan/uit-knop
  - B. Standenknop
  - C. Timerknop
  - D. Knop temperatuur verhogen
  - E. Knop temperatuur verlagen
  - F. Oscillatieknop

## 3. GEBRUIK



*Controleer het apparaat vóór gebruik op beschadigingen en gebruik het alleen in goede staat.*

Als u de kachel voor de eerste keer gebruikt, kan er een lichte rookontwikkeling optreden. Dit is heel normaal en stopt na een korte tijd. Het verwarmingselement is gemaakt van roestvrij staal en is bij productie gecoat met beschermingsolie. De rook wordt veroorzaakt door de verdampende olie bij verwarming.

### De elektrische kachel plaatsen

- Plaats de verwarming op een stevige en vlakke ondergrond.
- Houd minimaal 1 m afstand tussen de voorkant van de behuizing en de muren en 30 cm van alle andere oppervlakken. Houd uit de buurt van natte omgevingen.



*Waarschuwing! Zorg ervoor dat u de kachel op een veilige plek plaatst, zodat u niet over de machine en het snoer kunt struikelen. Zorg ervoor dat u de kachel plaatst waar deze niet kan (om)vallen.*

### De elektrische verwarming starten (afb. A, B)

- Steek de stekker in een stopcontact.
- Zet de hoofdschakelaar (5) aan.
- Druk op de Aan/uit-knop en standenknop (2D) om de verwarming te starten. De laatste instelling werd opgeslagen. Druk op de Aan/uit-knop en standenknop (2D) om te wisselen van verwarmingsmodus. De aan/uit-knop en modusknop (2D) wisselen tussen aan, ventilatormodus, laag verwarmingsvermogen, hoog verwarmingsvermogen en uit.
  - Ventilator: Het indicatielampje voor de ventilator(3A) zal gaan branden.
  - Lage verwarmingsmodus – 1000 W: het indicatielampje voor laag vermogen (3B) zal gaan branden. Op het scherm (4) zal "01" 4 keer knipperen, daarna zal het scherm opnieuw de omgevingstemperatuur weergeven.
  - Hoge verwarmingsmodus – 1500 W: het indicatielampje voor hoog vermogen (3C) zal gaan branden. Op het scherm (4) zal "02" 4 keer knipperen, daarna zal het scherm opnieuw de omgevingstemperatuur weergeven.

### De temperatuur instellen (afb. B, C)

- Standaard wordt de omgevingstemperatuur op het scherm (4) weergegeven.
- De laatste instelling werd opgeslagen. De temperatuur kan worden ingesteld tussen 15°C en 40°C.
- Stel de temperatuur is zoals gewenst door op de knop temperatuur/timer verhogen of verlagen (2A,9D, 9E) te drukken.
- De gewenste temperatuur zal na de laatste druk op de knop 5 seconden blijven knipperen, daarna zal het scherm de omgevingstemperatuur weergeven.

### Constante kamertemperatuur

De verwarming zal nu automatisch starten en stoppen om de kamertemperatuur constant te houden. Zodra de omgevingstemperatuur in de kamer de gewenste temperatuur bereikt, zal het verwarmingselement overschakelen naar de stand-by-

modus. Zodra de omgevingstemperatuur begint te dalen, zal het verwarmingselement opnieuw ingeschakeld worden.

#### **Functies van het bedieningspaneel (Afb. B)**

- Knop temperatuur verhogen (2A): Druk om de gewenste omgevingstemperatuur te verhogen.
- Timerknop (2B): De timer kan worden ingesteld tussen 1 uur en 12 uur. Druk op de timerknop (2B) om de timer in te stellen in stappen van 1 uur. Het scherm (4) geeft de duur die momenteel is ingesteld 5 seconden knipperend weer. Het indicatielampje voor de timer (3D) zal gaan branden. Zonder een timer is er geen limiet.
- Oscillatieknop (2C): Druk op de oscillatieknop om de lamellen van de verwarming te activeren. Het indicatielampje voor oscilleren (3E) zal gaan branden. Druk er opnieuw op om ze te deactiveren.
  - Aan/uit-knop en standenknop(2D): Schakelt tussen aan, ventilator, laag vermogen, hoog vermogen en uit.
  - Ventilator: Het indicatielampje voor de ventilator(3A) zal gaan branden.
  - Lage verwarmingsmodus – 1000 W: het indicatielampje voor laag vermogen (3B) zal gaan branden. Op het scherm (4) zal "01" 4 keer knipperen, daarna zal het scherm opnieuw de omgevingstemperatuur weergeven.
  - Hoge verwarmingsmodus – 1500 W: het indicatielampje voor hoog vermogen (3C) zal gaan branden. Op het scherm (4) zal "02" 4 keer knipperen, daarna zal het scherm opnieuw de omgevingstemperatuur weergeven.

#### **Functies van de afstandsbediening (Afb. F)**

Naast de eerder vermelde bediening via het bedieningspaneel, kan de verwarming ook worden bediend via de afstandsbediening (9). De beschikbare functies zijn:

- Aan/uit-knop (9A): Schakelt de verwarming in en uit.
- Standenknop (9B): Schakelt tussen ventilator, laag en hoog vermogen.
  - Ventilator: Het indicatielampje voor de ventilator(3A) zal gaan branden.
  - Lage verwarmingsmodus – 1000 W: het indicatielampje voor laag vermogen (3B) zal gaan branden. Op het scherm (4) zal "01" 4 keer knipperen, daarna zal het scherm opnieuw de omgevingstemperatuur weergeven.

- Hoge verwarmingsmodus – 1500 W: het indicatielampje voor hoog vermogen (3C) zal gaan branden. Op het scherm (4) zal "02" 4 keer knipperen, daarna zal het scherm opnieuw de omgevingstemperatuur weergeven.
- Timerknop (9C): De timer kan worden ingesteld tussen 1 uur en 12 uur. Het scherm geeft de duur die momenteel is ingesteld 5 seconden knipperend weer. Druk op de timerknop om de timer in te stellen in stappen van 1 uur. Het indicatielampje voor de timer (2L) zal gaan branden. Zonder een timer is er geen limiet.
- Oscillatieknop (9F): Druk op de oscillatieknop om de lamellen van de verwarming te activeren. Het indicatielampje voor oscilleren (3E) zal gaan branden. Druk er opnieuw op om ze te deactiveren.
- Knop temperatuur verhogen (9D): Druk om de gewenste omgevingstemperatuur te verhogen.
- Knop temperatuur verlagen (9E): Druk om de gewenste omgevingstemperatuur te verlagen.

#### **Kantelschakelaar (8)**

Deze verwarming is uitgerust met een mechanische beveiliging tegen omkantelen. Deze beveiliging verzekert dat wanneer de verwarming niet verticaal op een stevig en vlak oppervlak wordt geplaatst of wanneer de verwarming omkantelt, het systeem de verwarming automatisch uitschakelt. Als dit zich voordoet, plaats de verwarming dan op een stevig en vlak oppervlak en start de verwarming opnieuw.

#### **Automatische oververhittingsbeveiliging**

Deze kachel is uitgerust met een interne warmtebeperkende veiligheidsthermostaat en een oververhittingsbeveiligingscircuit. Als een potentiële oververhittingstemperatuur wordt bereikt, schakelt het systeem de kachel automatisch uit. Als dit zich voordoet, kan de verwarming alleen opnieuw gebruikt worden na deze te resetten. Om de verwarming te resetten: Trek de stekker van de verwarming uit het stopcontact en wacht minstens 30 minuten om deze te laten afkoelen voordat u de verwarming opnieuw start.

#### **De elektrische verwarming stoppen (afb. A, B)**



*Laat het apparaat afkoelen voordat u het uitschakelt met behulp van de ventilatiefunctie.*

- Druk op de aan/uit-knop en de modusknop (2D) tot het indicatielampje van de ventilator (3A) begint te knipperen.
- De modus ventilator zal starten en de verwarming 30 seconden afkoelen. Het scherm zal de duur weergeven.
- Zet de hoofdschakelaar (5) uit.
- Trek de stekker uit het stopcontact.

#### De elektrische kachel opbergen

- Laat de verwarming altijd volledig afkoelen voordat u het apparaat opbergt.
- Wikkel het snoer nooit rond de verwarming



*Waarschuwing! Bewaar het apparaat nooit in een natte of stoffige omgeving*

## 4. ONDERHOUD



*Schakel het apparaat altijd uit en trek de stekker uit het stopcontact, voordat de machine wordt gereinigd of onderhoud uitgevoerd gaat worden.*

#### Schoonmaken



*Laat het apparaat volledig afkoelen voordat u het schoonmaakt.*

- Maak de verwarming schoon met een (licht vochtige) doek, borstel of stofzuiger.
- Ter bescherming van de behuizing mag u geen water op de verwarming spatten en nooit een oplosmiddel zoals benzine, isoamylacetaat, toluen enz. gebruiken om de verwarming te reinigen.
- Maak de luchtinlaat en -uitlaat (6, 7) regelmatig schoon met een stofzuiger.
- Als u de verwarming wilt opbergen, laat deze dan eerst afkoelen en houd deze droog.

#### Problemen oplossen

In het geval dat de elektrische verwarming niet goed werkt, geven we u enkele mogelijke oorzaken en hun oplossingen.

Probleem	Mogelijke oorzaak	Oplossing
De kachel werkt niet, zelfs niet als de stekker in het stopcontact steekt en de schakelaar en de thermostaat zijn ingeschakeld.	De stekker zit los, slechte verbinding	Trek de stekker uit het stopcontact, controleer de aansluiting van de stekker en het stopcontact. Probeer het opnieuw.
	Geen stroom in een contactdoos	Steek de stekker in een andere contactdoos
Het verwarmings-element gloeit	De ingangsspanning is te hoog of te laag	Gebruik een voeding die overeenkomt met de classificatie op het etiket
	Het luchtinlaatrooster is geblokkeerd	Houd de kachel ver weg van objecten zoals een gordijn, plastic zak, papier en andere dingen die de luchtinlaat kunnen bedekken of blokkeren
Het apparaat warmt niet op, alleen de ventilator werkt	De functieknop is niet op de verwarmingsstand gezet	Draai de functieknop naar de verwarmingsstand
	Het apparaat schakelt zichzelf uit	Draai de thermostaatknop en luister of er een klik hoorbaar is. Als er geen klik hoorbaar is en de thermostaat niet beschadigd is, zal de kachel automatisch inschakelen als het apparaat is afgekoeld
	Het oververhittingsbeveiligingscircuit schakelt de kachel uit	Schakel de kachel uit en controleer de blokkering van de in- of uitlaat. Trek de stekker eruit en wacht ten minste 10 minuten totdat het beveiligingssysteem is gereset voordat u probeert de kachel opnieuw op te starten.
Abnormaal geluid	Het apparaat staat niet recht op	Plaats de kachel op een vlakke ondergrond

## MILIEU



*Niet goed functionerende en/of afgedankte elektrische of elektronische apparaten moeten bij de juiste inzamelpunten voor recycling worden aangeboden.*

#### Alleen voor landen in de EG

Gooi geen elektrisch gereedschap bij het huisvuil. Volgens de Europese richtlijnen 2012/19/EU betreffende afgedankte elektrische en elektronische apparatuur en de implementatie hiervan in nationaal recht, moeten elektrische gereedschappen die niet langer gebruikt worden apart ingezameld en weggegooid worden op een milieuvriendelijk manier.

## GARANTIE

Producten van VONROC worden op basis van de hoogste kwaliteitsnormen ontwikkeld en zijn gegarandeerd vrij van defecten, zowel voor wat betreft het materiaal als de afwerking, gedurende de door de wet bepaalde periode, startend vanaf de datum van de originele aankoop. Mocht het product gedurende deze periode enige storingen vertonen als gevolg van gebrekkig materiaal en/of gebrekkige afwerking, dient direct contact met VONROC opgenomen te worden.

De volgende omstandigheden zijn uitgesloten van de garantie:

- Reparatie en/of wijzigingen die door en niet erkend servicecentrum aan de machine werd/ werden aangebracht of waartoe een poging werd ondernomen;
- Normale slijtage;
- Het gereedschap werd misbruikt, verkeerd werd gebruikt en/of onjuist werd onderhouden;
- Niet-originele reserveonderdelen werden gebruikt.

Dit betreft de enige garantie die door de organisatie, impliciet of expliciet, wordt aangeboden. Geen andere garanties, impliciet noch expliciet, die verder strekken dan deze garantie, inclusief de impliciete garanties inzake de verkoopbaarheid en geschiktheid voor een specifiek doel. In geen geval zal VONROC aansprakelijk zijn voor incidentele schade of gevolgschade. De oplossingen van de dealers zullen beperkt zijn tot de reparatie of het vervangen van niet-conforme eenheden of onderdelen.

**Het product en de gebruiksaanwijzing kunnen worden gewijzigd. Specificaties kunnen zonder voorafgaande kennisgeving worden gewijzigd.**

<b>Modelidentificator(s): EH519AC, EH519AC_WHITE</b>					
<b>Item</b>	<b>Symbool</b>	<b>Waarde</b>	<b>Eenheid</b>	<b>Item</b>	<b>Eenheid</b>
<b>Warmteafgifte</b>				<b>Type van warmte-ingang, alleen voor plaatselijke elektrische verwarming (selecteer er een)</b>	
Nominale warmteafgifte	Pnom	1,5	kW	handmatige regeling warmtevermogen, met geïntegreerde thermostaat	Nee
Minimum warmteafgifte (indicatief)	Pmin	1,0	kW	handmatige regeling warmtevermogen met kamer- en/of buitentemperatuurfeedback	Nee
Maximum continu warmteafgifte	Pmax,c	2,0	kW	elektronische regeling warmtevermogen met kamer- en/of buitentemperatuurfeedback	Nee
<b>Elektriciteitsverbruik hulpmiddelen</b>				door ventilator geassisteerde warmteafgifte	Nee
Bij nominale warmteafgifte	elmax	0,000	kW	<b>Type van warmteafgifte/regeling kamertemperatuur (selecteer er een)</b>	
Bij minimale warmteafgifte	elmin	0,000	kW	enkele stand warmteafgifte en geen regeling kamertemperatuur	Nee
In stand-bymodus	elSB	0,000	kW	Twee of meer handmatige standen, geen regeling kamertemperatuur	Nee
				met regeling kamertemperatuur met mechanische thermostaat	Nee
				met elektronische regeling kamertemperatuur	Ja
				elektronische regeling kamertemperatuur plus dagtimer	Nee
				elektronische regeling kamertemperatuur plus weektimer	Nee
				<b>Andere regelopties (meerdere selecties mogelijk)</b>	
				regeling kamertemperatuur, met aanwezigheidsdetectie	Nee
				regeling kamertemperatuur, met open venster-detectie	Nee
				met de optie regeling vanop afstand	Nee
				met adaptieve startbediening	Nee
				met werkende tijdsbeperking	Ja
				met zwarte lampsensor	Nee
Contactgegevens	VONROC • Lingenstraat 6 • 8028 PM • Zwolle • Nederland				

## 1. CONSIGNES DE SÉCURITÉ

Veillez à bien lire les avertissements de sécurité, les avertissements supplémentaires de sécurité ainsi que toutes les instructions jointes. Le non-respect des avertissements de sécurité et des consignes peut entraîner des décharges électriques, des incendies et/ou de graves blessures. Conservez tous les avertissements et toutes les instructions liées à la sécurité afin de pouvoir vous y référer dans le futur.

Les symboles qui suivent sont utilisés dans la notice ou sur le produit :



*Veillez à lire la notice d'utilisation.*



*Indique un risque de blessure, de décès ou de détérioration de l'outil en cas de non-respect des consignes de la présente notice.*



*Indique un risque de décharge électrique.*



*Machine de classe II - À double isolation - Aucune liaison à la terre n'est nécessaire.*



*Important ! AVERTISSEMENT : Afin d'éviter tout risque de surchauffe, ne couvrez pas l'appareil de chauffage.*



*Ne jetez pas le produit de façon inappropriée.*



*Le produit est conforme aux normes de sécurité en vigueur des directives européennes.*

### AVERTISSEMENTS DE SÉCURITÉ GÉNÉRALE

Cet appareil peut être utilisé par des enfants âgés de 8 ans et plus et par des personnes aux capacités physiques, sensorielles ou intellectuelles réduites, ou qui manquent d'expérience et de connaissances, à condition qu'ils soient supervisés ou qu'ils aient été formés sur la façon sûre d'utiliser l'appareil et qu'ils comprennent les risques encourus. Les enfants ne doivent pas jouer avec l'appareil. Le nettoyage et les opérations de maintenance à réaliser par l'utilisateur ne doivent pas être exécutés par des enfants sans surveillance.

Les enfants de moins de 3 ans doivent être gardés à l'écart, à moins d'être surveillés en permanence. Les enfants entre 3 et 8 ans ne peuvent allumer ou éteindre l'appareil, qu'à condition que ce dernier soit positionné ou installé dans sa position de service normale et que les enfants soient surveillés ou qu'ils aient appris comment utiliser l'appareil en toute sécurité et qu'ils aient compris les risques possibles. Les enfants entre 3 et 8 ans n'ont pas le droit de brancher, de régler et de nettoyer l'appareil ou d'en réaliser la maintenance.



**ATTENTION - Certaines pièces de ce produit peuvent devenir très chaudes et provoquer des brûlures. Soyez particulièrement vigilant en présence d'enfants ou d'autres personnes vulnérables.**

### CONSIGNES DE SÉCURITÉ SUPPLÉMENTAIRES POUR LES APPAREILS DE CHAUFFAGE ÉLECTRIQUES

- Les enfants doivent rester loin de l'appareil ou être constamment surveillés afin de s'assurer qu'ils ne jouent pas avec.
- Les enfants ne sont pas autorisés à brancher, déplacer, utiliser, régler et nettoyer l'appareil ou à effectuer des opérations de maintenance sur ce dernier.
- ATTENTION - Certaines pièces de ce produit peuvent devenir très chaudes et provoquer des brûlures. Soyez particulièrement vigilant en présence d'enfants ou d'autres personnes vulnérables.
- L'appareil ne doit pas être utilisé à l'extérieur par temps humide, dans des salles de bains ou dans d'autres environnements mouillés ou humides.
- Notez que l'appareil de chauffage peut devenir très chaud et qu'il doit donc être positionné à une distance sûre de tout objet inflammable (meubles, rideaux et éléments similaires).
- Utilisez la poignée pour déplacer l'appareil de chauffage.
- Ne déplacez pas l'appareil de chauffage quand il est chaud. Laissez le produit refroidir complètement avant de la manipuler.
- Ne couvrez pas l'appareil de chauffage.
- L'appareil de chauffage ne doit pas être placé directement sous une prise de courant.
- Ne raccordez pas l'appareil de chauffage à un programmateur ou à un autre équipement pouvant le mettre en marche automatiquement.



- L'appareil ne doit pas être placé/utilisé dans des pièces dans lesquelles se trouvent des liquides ou des gaz inflammables.
- Si une rallonge est utilisée, elle doit être la plus courte possible et toujours complètement déroulée.
- Vous ne devez pas raccorder d'autres appareils dans la même prise de courant que cet appareil.
- N'utilisez pas l'appareil de chauffage à proximité immédiate d'une baignoire, d'une douche ou d'une piscine.
- Si le câble d'alimentation est endommagé, il doit être remplacé par le fabricant ou l'un de ses prestataires de service ou par une personne de même qualification, afin d'éviter tout risque.
- Veillez à toujours bien surveiller l'appareil de chauffage et de garder les enfants et les animaux à l'écart.
- Ne placez pas et n'utilisez pas l'appareil de chauffage dans des véhicules en mouvement ou dans des endroits d'où il pourrait facilement basculer.
- Si l'appareil de chauffage n'est pas utilisé pendant une période prolongée, débranchez-le du secteur. Tirez la prise droite, ne la débranchez jamais en tirant sur le cordon.
- Gardez l'appareil loin des rideaux ou d'autres éléments qui pourraient facilement boucher l'arrivée d'air.
- Le coupleur électrique est étanche quand il n'est pas utilisé. Afin d'éviter tout risque de décharge électrique ou de courant de fuite, n'utilisez jamais l'appareil de chauffage les mains mouillées ou si le cordon d'alimentation est mouillé.
- Ne jetez pas les appareils électriques avec les déchets ménagers, rappez-les dans un centre de tri. Contactez vos autorités locales pour obtenir des informations sur les systèmes de collecte. Si les appareils électriques sont déposés dans des décharges et des dépotoirs, des substances dangereuses peuvent fuir et pénétrer dans le sol pour se retrouver dans la chaîne alimentaire et créer ainsi un risque votre santé et votre bien-être.



*Avertissement ! N'utilisez pas cet appareil de chauffage dans de petites pièces en présence de personnes n'ayant pas la capacité de quitter la pièce par leurs propres moyens, à moins de vous assurer d'une surveillance permanente.*



*Avertissement ! Afin de réduire le risque d'incendie, maintenez tous les textiles, les rideaux et les autres matières inflammables à une distance de 1 m au moins de la sortie d'air.*

### Sécurité électrique

Quand vous utilisez des équipements électriques, veillez à toujours respecter la réglementation applicable dans votre pays en matière de sécurité afin de réduire les risques d'incendie, de décharge électrique et de blessure. Veillez à bien lire les consignes de sécurité qui suivent et également les consignes de sécurité jointes.



*Veillez à toujours contrôler que la tension de l'alimentation électrique correspond à la tension mentionnée sur la plaque signalétique.*

Si l'utilisation d'un outil électrique dans un endroit humide est inévitable, utilisez une alimentation électrique protégée par un disjoncteur différentiel à courant résiduel (DDR). L'utilisation d'un DDR réduit le risque de décharge électrique.

## 2 INFORMATIONS SUR LE PRODUIT

### Usage prévu

L'appareil de chauffage électrique est destiné à une utilisation domestique, non commerciale, à l'intérieur, pour chauffer des pièces d'habitation de façon temporaire. N'utilisez le produit à aucunes autres fins. L'appareil de chauffage peut être utilisé posé dans des pièces fermées pour les chauffer. L'appareil de chauffage ne peut être utilisé qu'une fois complètement assemblé et posé à la verticale sur une surface stable. Il intègre un thermostat et une coupure thermique à réinitialisation automatique qui contrôlent l'élément chauffant et donc la température.

## CARACTÉRISTIQUES TECHNIQUES

N° de modèle	EH519AC, EH519AC_WHITE
Alimentation électrique	220-240 V ~ / 50 Hz
Puissance nominale	1500 W
Paramètres	Fan / 1000 W / 1500 W
Plage de températures	15 - 40°C
Minuterie	1 - 12 hour
Capacité de chauffe	15 m²
Classe de protection	Class II
Longueur du câble	1.6 m
Poids	2.1 kg

## PRÉSENTATION

Les numéros dans le texte renvoient aux diagrammes des pages 2 à 3.

1. Élément chauffant
2. Panneau de commande
  - A. Bouton Température
  - B. Bouton Minuterie
  - C. Bouton Oscillation
  - D. Bouton Marche/Arrêt et bouton Mode
3. Voyants
  - A. Indicateur Mode Ventilateur
  - B. Indicateur mode Chauffage fort
  - C. Indicateur mode Chauffage léger
  - D. Indicateur Minuterie
  - E. Indicateur Oscillation
  - F. Indicateur de puissance
4. Écran
5. Interrupteur principal
6. Grille de sortie d'air
7. Arrivée d'air
8. Dispositif de sécurité antichute
9. Télécommande
  - A. Bouton Marche/Arrêt
  - B. Bouton Mode
  - C. Bouton Minuterie
  - D. Bouton Augmentation Température
  - E. Bouton Diminution Température
  - F. Bouton Oscillation

## 3. FONCTIONNEMENT



*Contrôlez l'absence de dommage avant l'utilisation et ne faites fonctionner l'appareil que s'il est en bon état.*

Lors de la première utilisation, une légère fumée est possible. Cela est normal et cesse après une courte période. L'élément chauffant est fabriqué à partir d'acier inoxydable et il a été enduit d'huile de protection en usine. La fumée provient du reste d'huile qui chauffe à la mise en marche.

### Positionner l'appareil de chauffage électrique

- Placez l'appareil de chauffage debout, sur une surface ferme et de niveau.
- Laissez une distance de 1 m au moins entre l'avant du corps de l'appareil et les murs et de 30 cm entre l'appareil et toutes les autres surfaces. Gardez l'appareil loin des environnements humides.



*Avertissement ! Veillez à placer l'appareil de chauffage dans un endroit sûr, où vous ne pourrez pas trébucher sur l'appareil et le câble. Veillez à placer l'appareil de chauffage là où il ne pourra pas chuter.*

### Mettre l'appareil de chauffage électrique en marche (Fig. A, B)

- Branchez le câble électrique dans une prise de courant.
- Passez l'interrupteur principal (5) sur Marche.
- Appuyez sur le bouton Marche/Arrêt et bouton Mode (2D) pour démarrer l'appareil de chauffage. Le dernier mode de chauffage utilisé a été sauvegardé. Appuyez sur le bouton Marche/Arrêt et Mode (2D) pour modifier le mode de chauffage. Le bouton Marche/Arrêt et Mode (2D) permute entre les modes Allumé, Ventilateur, Chauffage léger, Chauffage fort et Éteint.
  - Ventilateur : L'indicateur du mode Ventilateur (3A) s'allume.
  - Mode Chauffage léger – 1000W : l'indicateur du mode Chauffage léger (3B) s'allume. Sur l'écran (4) "01" clignote 4 fois puis l'écran affiche de nouveau la température ambiante.
  - Mode Chauffage fort – 1500W : l'indicateur du mode Chauffage fort (3C) s'allume. Sur l'écran (4) "02" clignote 4 fois puis l'écran affiche de nouveau la température ambiante.

### Régler la température (Fig. B, C)

- La température ambiante est indiquée à l'écran (4) par défaut.
- Le dernier réglage de température a été sauvegardé. Il est possible de régler la température

entre 15°C et 40°C.

- Réglez la température voulue en appuyant sur le bouton Température (2A, 9D, 9E).
- La température cible continue à clignoter pendant 5 secondes après l'enfoncement du dernier bouton, puis l'écran affiche de nouveau la température ambiante.

### Température constante de la pièce

L'appareil de chauffage démarre et s'arrête automatiquement pour conserver une température constante dans la pièce. Une fois que la température de la pièce atteint la température cible, l'appareil de chauffage passe en mode Veille. Quand la température commence à chuter dans la pièce, l'appareil de chauffage se remet en route.

### Fonctions du panneau de commande (Fig. B)

Il est possible de commander le radiateur avec le panneau de commande (2). Les fonctions disponibles sont :

- Bouton Température (2A) : Appuyez pour augmenter la température ambiante voulue. Une fois arrivé à la température maximum de 40 °C, le cycle reprend à 15 °C.
- Bouton Minuterie (2B) : Il est possible de régler la minuterie entre 1 et 12 heures. Appuyez sur le bouton Minuterie (2B) pour régler la minuterie par intervalle de 1 heure. Sur l'écran (4) la durée paramétrée clignote pendant 5 secondes. L'indicateur de la minuterie (3D) s'allume. Sans minuterie, la durée de chauffe n'est pas limitée dans le temps.
- Bouton Oscillation (2C) : Appuyez sur le bouton Oscillation pour faire osciller l'appareil de chauffage. L'indicateur de l'oscillation (3E) s'allume. Appuyez de nouveau sur le bouton pour arrêter l'oscillation.
- Bouton Marche/Arrêt et bouton Mode: Le bouton Marche/Arrêt et Mode (2D) permute entre les modes Allumé, Ventilateur, Chauffage léger, Chauffage fort et Éteint.
  - Ventilateur : L'indicateur du mode Ventilateur (3A) s'allume.
  - Mode Chauffage léger – 1000W : l'indicateur du mode Chauffage léger (3B) s'allume. Sur l'écran (4) "01" clignote 4 fois puis l'écran affiche de nouveau la température ambiante.
  - Mode Chauffage fort – 1500W : l'indicateur du mode Chauffage fort (3C) s'allume. Sur l'écran (4) "02" clignote 4 fois puis l'écran affiche de nouveau la température ambiante.

### Fonctions de la télécommande (Fig. C)

En plus du panneau de commande mentionné ci-dessus, il est également possible de piloter le radiateur à l'aide de la télécommande (9). Les fonctions disponibles sont :

- Bouton Marche/Arrêt (9A) : Permet de mettre le radiateur en marche et de l'éteindre.
- Bouton Mode (9B) : Permet de permuter entre les modes Ventilateur, Chauffage léger et Chauffage fort.
  - Ventilateur : L'indicateur du mode Ventilateur (3A) s'allume.
  - Mode Chauffage léger – 1000W : l'indicateur du mode Chauffage léger (3B) s'allume. Sur l'écran (4) "01" clignote 4 fois puis l'écran affiche de nouveau la température ambiante.
  - Mode Chauffage fort – 1500W : l'indicateur du mode Chauffage fort (3C) s'allume. Sur l'écran (4) "02" clignote 4 fois puis l'écran affiche de nouveau la température ambiante.
- Bouton Minuterie (9C) : Il est possible de régler la minuterie entre 1 et 12 heures. Appuyez sur le bouton Minuterie (9C) pour régler la minuterie par intervalle de 1 heure. Sur l'écran (4) la durée paramétrée clignote pendant 5 secondes. L'indicateur de la minuterie (3D) s'allume. Sans minuterie, la durée de chauffe n'est pas limitée dans le temps.
- Bouton Oscillation (9F) : Appuyez sur le bouton Oscillation pour faire osciller l'appareil de chauffage. L'indicateur de l'oscillation (3E) s'allume. Appuyez de nouveau sur le bouton pour arrêter l'oscillation.
- Bouton Augmentation Température (9D) : Appuyez pour augmenter la température ambiante voulue.
- Bouton Diminution Température (9E) : Appuyez pour diminuer la température ambiante voulue.

### Dispositif de sécurité antichute (8)

Cet appareil de chauffage est équipé d'une protection mécanique contre les chutes. Cette protection permet de garantir que l'appareil se coupe automatiquement, s'il n'est pas posé droit sur une surface dure et de niveau ou s'il bascule. Si cela se produit, reposez l'appareil de chauffage sur une surface dure et de niveau avant de le rallumer.

### Contrôle de surchauffe automatique

Cet appareil de chauffage est équipé d'un thermostat de sécurité interne qui limite la chaleur et d'un circuit de protection contre les surchauffes. Si une température atteint une potentielle surchauffe, le système coupe automatiquement l'appareil de chauffage. Si cela se produit, l'appareil ne peut être remis en marche qu'après une réinitialisation. Pour réinitialiser l'appareil de chauffage : Débranchez l'appareil de chauffage et attendez 30 minutes au moins qu'il refroidisse avant de le remettre en marche.

### Éteindre l'appareil de chauffage électrique (Fig. A, B)



*Laissez l'appareil refroidir en mode Ventilateur, avant de l'éteindre.*

- Appuyez sur le bouton Marche/Arrêt et Mode (2D) jusqu'à ce que le voyant du ventilateur (3A) commence à clignoter.
- Le mode Ventilateur est activé et le ventilateur refroidit le radiateur pendant 30 secondes. L'écran affiche la durée.
- Passez l'interrupteur principal (4) sur Arrêt.
- Débranchez la prise de la prise murale.

### Ranger l'appareil de chauffage électrique

- Laissez toujours complètement refroidir l'appareil de chauffage avant de le ranger.
- N'enroulez jamais le câble autour de l'appareil de chauffage



*Avertissement ! Ne rangez jamais l'appareil dans un endroit humide et/ou poussiéreux*

## 4. MAINTENANCE



*Avant toute opération de nettoyage ou de maintenance, éteignez toujours la machine et débranchez-la.*

### Nettoyage



*Laissez l'appareil refroidir complètement avant de le nettoyer.*

- Nettoyez l'appareil de chauffage à l'aide d'un chiffon (légèrement humide), d'une brosse ou d'un aspirateur.
- Afin de protéger l'enveloppe de l'appareil de chauffage, n'aspergez pas ce dernier d'eau et

n'utilisez jamais aucun solvant (essence, acétate d'isoamyle, toluène, etc.) pour le nettoyer.

- Nettoyez l'entrée et la sortie d'air (6, 7) régulièrement à l'aide d'un aspirateur.
- Pour ranger l'appareil de chauffage, laissez-le d'abord refroidir et gardez-le au sec.

### Dépannage

Si l'appareil de chauffage électrique ne fonctionne pas correctement, voici quelques causes et solutions possibles.

Problème	Cause possible	Remède
L'appareil de chauffage ne fonctionne pas, même branché, interrupteur enfoncé et thermostat réglé.	La prise est mal branchée, mauvais raccordement	Débranchez la prise, contrôlez le bon branchement de la prise dans la prise murale. Rebranchez la prise.
	La prise murale n'est pas alimentée	Insérez la prise de l'appareil dans une prise qui fonctionne
L'élément chauffant rougeois	La tension d'entrée est trop élevée ou trop basse	Utilisez une alimentation électrique conforme aux valeurs mentionnées sur l'étiquette
	La grille d'arrivée d'air est bloquée	Éloignez l'appareil de chauffage des rideaux, sacs plastique, papiers ou de toute autre chose qui pourrait gêner l'arrivée d'air
L'appareil ne chauffe pas, seul le ventilateur fonctionne	L'interrupteur n'a pas été passé sur le mode Chauffage	Tournez l'interrupteur jusqu'à la position Chauffage
	Le thermostat s'est déclenché	Tournez le thermostat et écoutez si vous entendez l'ouverture/la fermeture. S'il n'y a pas de clic et que le thermostat n'est pas endommagé, l'appareil de chauffage s'allume automatiquement une fois refroidi
	La coupure à réinitialisation automatique s'est déclenchée	Éteignez l'appareil de chauffage et contrôlez l'absence de blocage de l'arrivée ou de la sortie d'air. Débranchez la prise et patientez au moins 10 minutes pour que le système de sécurité se réinitialise avant de redémarrer l'appareil de chauffage.
Bruit anormal	L'appareil n'est pas bien posé à la verticale	Placez l'appareil de chauffage sur une surface de niveau

## ENVIRONNEMENT



*Les appareils électriques et électroniques défectueux ou en fin de vie doivent être rapportés dans des sites de recyclage appropriés.*

**Le produit et la notice d'utilisation sont sujets à modifications. Les caractéristiques peuvent être modifiées sans notification préalable.**

### **Pour les pays de la Communauté Européenne uniquement**

Ne pas jeter les outils électriques avec les déchets ménagers. Conformément à la Directive Européenne 2012/19/UE relative à l'élimination des déchets électriques et électroniques et à sa transposition dans la législation nationale, les outils électriques usagés doivent être collectés séparément et être jetés de façon écologique.

## GARANTIE

Les produits VONROC sont développés avec les normes de qualité les plus hautes et ils sont garantis pour être exempts de défaut de pièces et de main d'œuvre pour la durée stipulée par la loi et à compter de la date d'achat initiale. Si, au cours de cette période, le produit devait rencontrer une quelconque panne due à un défaut de pièce ou de main d'œuvre, contactez VONROC directement.

Les conditions suivantes sont exclues de la garantie :

- Réparations ou modifications sur la machine, faites ou tentées par des réparateurs non agréés ;
- Usure normale ;
- Utilisation abusive ou incorrecte ou maintenance incorrecte de l'outil ;
- Utilisation de pièces détachées non d'origine.

Ceci représente l'unique garantie, explicite ou implicite, proposée par la société. Il n'existe aucune autre garantie, explicite ou implicite, qui puisse dépasser le cadre de la présente garantie, y compris les garanties implicites de qualité marchande et d'adaptation à un usage particulier. En aucun cas, VONROC ne saurait être tenu responsable pour les dommages accidentels ou consécutifs. Les recours des revendeurs sont limités à la réparation ou au remplacement des équipements ou des pièces non conformes.

Identifiant(s) modèle(s) : EH519AC, EH519AC_WHITE					
Élément	Symbole	Valeur	Unité	Élément	Unité
<b>Puissance calorifique</b>				<b>Type d'apport thermique, pour dispositif de chauffage par accumulation uniquement (sélectionnez un élément)</b>	
Puissance calorifique nominale	Pnom	1,5	kW	contrôle de la charge calorifique manuel, avec thermostat intégré	Non
Puissance calorifique minimum (à titre indicatif)	Pmin	1,0	kW	contrôle de la charge calorifique manuelle avec report de la température de la pièce/extérieure	Non
Puissance calorifique continue maximum	Pmax,c	1,5	kW	contrôle de la charge calorifique électronique avec report de la température de la pièce/extérieure	Non
<b>Consommation électrique auxiliaire</b>				puissance calorifique assistée par ventilateur	
À la puissance calorifique nominale	elmax	0,000	kW	<b>Type de contrôle de la puissance calorifique/contrôle de la température de la pièce (sélectionnez un élément)</b>	
À la puissance calorifique minimum	elmin	0,000	kW	puissance calorifique à une phase et sans contrôle de la température de la pièce	Non
En mode Veille	elSB	0,000	kW	Deux phases manuelles ou plus, pas de contrôle de la température de la pièce	Non
				avec contrôle mécanique de la température de la pièce	Non
				avec contrôle électronique de la température de la pièce	Oui
				contrôle électronique de la température de la pièce et minuterie quotidienne	Non
				contrôle électronique de la température de la pièce et minuterie hebdomadaire	Non
				<b>Autres options de commande (plusieurs sélections possibles)</b>	
				contrôle de la température de la pièce avec détecteur de présence	Non
				contrôle de la température de la pièce avec détecteur de fenêtre ouverte	Non
				avec option commande à distance	Non
				avec commande de démarrage progressif	Non
				avec limite de la durée de fonctionnement	Oui
				avec capteur ampoule noire	Non
Coordonnées	VONROC • Lingenstraat 6 • 8028 PM • Zwolle • Pays-Bas				

## 1. INSTRUCCIONES DE SEGURIDAD

Lea las advertencias de seguridad, las advertencias de seguridad adicionales y las instrucciones adjuntas. Si no respeta las advertencias de seguridad y las instrucciones, pueden ocasionarse descargas eléctricas, incendios y/o lesiones graves. Guarde las advertencias de seguridad y las instrucciones para su futura consulta.

En el manual de usuario y en el producto se emplean los siguientes símbolos:



Lea el manual de usuario.



Denota riesgo de lesiones personales, muerte o daños a la herramienta en caso de incumplimiento de las instrucciones del presente manual.



Denota riesgo de descarga eléctrica.



Máquina de clase II - Doble aislamiento - No necesita enchufe con puesta a tierra.



¡Importante! ADVERTENCIA: Para evitar el sobrecalentamiento, no cubra el calefactor.



No tire el producto en contenedores inadecuados.



El producto es conforme a las normas de seguridad aplicables según las directivas europeas.

### ADVERTENCIAS DE SEGURIDAD GENERALES

Este aparato puede ser utilizado por niños a partir de 8 años de edad y por personas con capacidades físicas, sensoriales o mentales reducidas o que carezcan de experiencia y conocimientos, si están supervisadas o capacitadas sobre el uso del aparato de modo seguro y si comprenden los peligros que supone. Los niños no deben jugar con el aparato.

La limpieza y el mantenimiento de usuario no deben ser efectuados por niños, sin supervisión.

Los niños menores de 3 años de edad deben mantenerse alejados, salvo que estén continuamente vigilados. Los niños de 3 a 8 años de edad pueden solo encender y apagar el aparato, siempre que este haya sido colocado o instalado en su posición

de funcionamiento normal prevista y estén vigilados o se les hayan dado instrucciones sobre el uso del aparato en modo seguro y entiendan los peligros que supone el uso. Los niños de 3 a 8 años de edad no deberán enchufar, ajustar ni limpiar el aparato ni realizar el mantenimiento de usuario.



**CUIDADO** — Algunas partes de este producto pueden calentarse mucho y causar quemaduras. Debe prestarse especial atención cuando haya niños y personas vulnerables.

### ADVERTENCIAS DE SEGURIDAD ADICIONALES PARA CALEFACTORES ELÉCTRICOS

- Los niños deben mantenerse alejados del calefactor a menos que estén vigilados, para evitar que jueguen con él.
- Se prohíbe que los niños conecten, coloquen, utilicen, regulen o limpien el aparato o que realicen cualquier tipo de mantenimiento del mismo.
- CUIDADO- Algunas partes de este producto pueden alcanzar temperaturas elevadas y causar quemaduras. Debe prestarse especial atención cuando haya niños y personas vulnerables.
- El aparato no es adecuado para usar en exteriores con clima húmedo, en baños ni en otros entornos mojados o húmedos.
- Tenga en cuenta que el calefactor puede calentarse mucho, por lo que debe colocarse a una distancia segura de objetos que puedan arder fácilmente, como muebles, cortinas y otros similares.
- Utilice el asa para mover el calefactor.
- No mueva el calefactor cuando esté caliente. Deje que el producto se enfríe completamente antes de manipularlo.
- No cubra el calefactor.
- El calefactor no debe colocarse justo debajo de una toma de corriente.
- No encienda el calefactor usando un temporizador de encendido/apagado ni otros dispositivos que puedan encenderlo automáticamente.
- El calefactor no debe colocarse ni utilizarse en habitaciones en las que se utilicen o se guarden líquidos o gases inflamables.
- Si utiliza un cable prolongador, este debe ser lo más corto posible y siempre debe estar totalmente extendido.
- No conecte otros aparatos al mismo enchufe de red al que esté conectado el calefactor.

- No utilice el calefactor cerca de bañeras, duchas o piscinas.
- Si el cable de alimentación se daña, debe ser sustituido por el fabricante, un taller de reparación autorizado u otros técnicos cualificados, para evitar peligros.
- Asegúrese de que el calefactor esté siempre vigilado, y mantenga alejados de él a niños y animales.
- No coloque ni utilice el calefactor en vehículos en movimiento ni en lugares en los que pueda tropezarse con él.
- Si el calefactor no va a utilizarse durante un periodo prolongado de tiempo, desconéctelo de la red eléctrica. Tire directamente del enchufe, nunca del cable.
- Mantenga el calefactor alejado de cortinas o lugares en los que la entrada de aire pueda bloquearse fácilmente.
- El conector de potencia es impermeable cuando no está en uso. Para evitar posibles descargas eléctricas o corrientes de fuga, no utilice nunca el calefactor con las manos húmedas ni lo manipule si el cable de alimentación tiene agua.
- No tire los aparatos eléctricos al contenedor de residuos sin clasificar. Llévelos siempre a los puntos de recogida selectiva. Consulte a su administración local sobre las sistemas de recogida de residuos disponibles. Si el aparato eléctrico va a parar a vertederos, puede desprender sustancias peligrosas que lleguen a las aguas subterráneas y se introduzcan en la cadena alimenticia, perjudicando su salud y bienestar.



*¡Advertencia! No utilice este calefactor en habitaciones pequeñas cuando en ellas haya personas que no puedan salir de la habitación por sí mismas, salvo que se proporcione una supervisión constante.*



*¡Advertencia! Para reducir el riesgo de incendio, mantenga los productos textiles, cortinas o cualquier otro material inflamable a una distancia mínima de 1 m de la salida de aire.*

### Seguridad eléctrica

Cuando use máquinas eléctricas, respete siempre las normas de seguridad aplicables en su país para reducir el riesgo de incendio, descarga eléctrica y lesiones personales. Lea las siguientes instrucciones de seguridad y también las instrucciones de seguridad adjuntas.



*Compruebe siempre que la tensión de la alimentación coincida con la tensión indicada en la placa de datos.*

Si el uso de una herramienta eléctrica en un entorno húmedo es inevitable, utilice un suministro protegido con un dispositivo diferencial residual (DDR). El uso de un DDR reduce el riesgo de descarga eléctrica.

## 2. INFORMACION DEL PRODUCTO

### Uso previsto

El calefactor eléctrico ha sido diseñado para uso doméstico no comercial en interiores, para calentar temporalmente las habitaciones de las viviendas. No utilice el producto para ninguna otra finalidad. El calefactor puede utilizarse en habitaciones cerradas y colocarse en el lugar que se considere adecuado para calefaccionar la habitación. El calefactor puede utilizarse solo cuando está totalmente montado y colocado en posición vertical sobre una superficie estable. Incluye un termostato y un interruptor térmico con reposición automática para controlar el elemento calefactor y, por lo tanto, la temperatura.

### ESPECIFICACIONES TÉCNICAS

Modelo n.º	EH519AC, EH519AC_WHITE
Alimentación eléctrica	220-240 V ~ / 50 Hz
Potencia nominal	1500 W
Configuración	Fan / 1000 W / 1500 W
Intervalo de temperatura	15 - 40°C
Temporizador	1 - 12 hour
Capacidad de calefacción	15 m²
Clase de protección	Class II
Longitud del cable	1.6 m
Peso	2.1 kg



## DESCRIPCIÓN

Los números del texto se refieren a los diagramas de las páginas 2-3.

1. Calefactor
2. Panel de mando
  - A. Botón para subir la temperatura
  - B. Botón para bajar la temporizador
  - C. Botón de oscilación
  - D. Botón de encendido/apagado y botón de modo
3. Indicadores
  - A. Indicador del ventilador
  - B. Indicador de calefacción alta
  - C. Indicador de calefacción baja
  - D. Indicador del temporizador
  - E. Indicador de oscilación
  - F. Indicador de alimentación
4. Pantalla
5. Interruptor principal
6. Rejilla de salida de aire
7. Entrada de aire
8. Interruptor antivuelcos
9. Mando a distancia
  - A. Botón de encendido/apagado
  - B. Botón de encendido/apagado
  - C. Botón del temporizador
  - D. Botón para subir la temperatura
  - E. Botón para bajar la temperatura
  - F. Botón de oscilación

## 3. FUNCIONAMIENTO



*Antes de usar el dispositivo, compruebe que no tenga daños, y úselo solo si está en buen estado de funcionamiento.*

Al utilizar el calefactor por primera vez, es posible que perciba una ligera emisión de humo. Esto es normal y deja de ocurrir enseguida. El elemento calefactor está hecho de acero inoxidable y, durante la fabricación, se recubrió con aceite protector. El humo se debe al calentamiento del aceite restante.

### Colocación del calefactor eléctrico

- Coloque el calefactor en vertical sobre una superficie estable y plana.
- Mantenga una distancia mínima de 1 m entre la parte frontal de la carcasa y las paredes, y de 30 cm de todas las demás partes de la carcasa. Manténgalo alejado de entornos húmedos.



*¡Advertencia! Asegúrese de colocar el calefactor en un sitio seguro, de forma que no pueda tropezar con él y con el cable. Asegúrese de colocar el calefactor en un lugar en el que no pueda caerse.*

### Arranque del calefactor eléctrico (Fig. A, B)

- Enchufe el cable en una toma de corriente.
- Encienda el interruptor principal (5).
- Pulse el botón de encendido/apagado y botón de modo (2D) para hacer arrancar el calefactor. Se ha guardado la última configuración. Pulse el botón de encendido/apagado y botón de modo (2D) para cambiar el modo de calefacción. El botón de encendido/apagado y modo (2D) cambia entre encendido, modo ventilador, calefacción baja, calefacción alta y apagado.
  - Ventilador: Se iluminará el indicador del ventilador (3A).
  - Modo de calefacción baja – 1000 W: se iluminará el indicador de calefacción baja (3B). La pantalla (4) muestra el parpadeo "01" 4 veces, después, vuelve a mostrar la temperatura ambiente actual.
  - Modo de calefacción alta – 1500 W: se iluminará el indicador de calefacción alta (3C). La pantalla (4) muestra el parpadeo "02" 4 veces, después, vuelve a mostrar la temperatura ambiente actual.

### Ajuste de la temperatura (Fig. B)

- Por defecto, en la pantalla se muestra la temperatura (4) ambiente.
- Se ha guardado la última configuración. La temperatura puede ajustarse entre 15 °C y 40 °C.
- Ajuste la temperatura como desee pulsando el botón para subir o bajar la temperatura (2A).
- La temperatura objetivo sigue parpadeando durante 5 segundos después de pulsar por última vez el botón, después la pantalla muestra la temperatura ambiente.

### Temperatura constante de la habitación

El calefactor se enciende y se apaga automáticamente, manteniendo una temperatura constante en la habitación. Una vez que la temperatura ambiente de la habitación alcanza la temperatura deseada, el elemento calefactor queda en modo de espera. Cuando la temperatura ambiente empieza a bajar, el elemento calefactor vuelve a encenderse.

### Funciones del panel de mando (Fig. B)

El calefactor puede gobernarse mediante el panel de mando (2). Las funciones disponibles son las siguientes:

- Botón de temperatura(2A): Púlselo para aumentar la temperatura ambiente deseada. Cuando alcanza el máximo de 40 °C, vuelve a arrancar a 15 °C.
- Botón del temporizador (2B): El temporizador puede configurarse entre 1 hora y 12 horas. Pulse el botón del temporizador (2B) para configurar el temporizador con intervalos de 1 hora. La pantalla (4) muestra en modo intermitente la duración configurada actualmente durante 5 segundos. Se iluminará el indicador del temporizador (3D). Sin el temporizador, no tiene límite.
- Botón de oscilación (2C): Pulse el botón de oscilación para activar la oscilación del calefactor. Se iluminará el indicador de oscilación (3E).
- Botón de encendido/apagado y botón de modo (2D): El botón de encendido/apagado y modo (2D) cambia entre encendido, modo ventilador, calefacción baja, calefacción alta y apagado.
  - Ventilador: Se iluminará el indicador del ventilador (3A).
  - Modo de calefacción baja – 1000 W: se iluminará el indicador de calefacción baja (3B). La pantalla (4) muestra el parpadeo "01" 4 veces, después, vuelve a mostrar la temperatura ambiente actual.
  - Modo de calefacción alta – 1500 W: se iluminará el indicador de calefacción alta (3C). La pantalla (4) muestra el parpadeo "02" 4 veces, después, vuelve a mostrar la temperatura ambiente actual.

### Funciones del mando a distancia (Fig. C)

Además de gobernarse mediante el panel de mando citado, el calefactor puede gobernarse mediante el mando a distancia (9). Las funciones disponibles son las siguientes:

- Botón de encendido/apagado (9A): Enciende y apaga el calefactor.
- Botón de modo (9B): Cambia entre ventilador y calefacción alta y baja.
  - Ventilador: Se iluminará el indicador del ventilador (3A).
  - Modo de calefacción baja – 1000 W: se iluminará el indicador de calefacción baja (3B). La pantalla (4) muestra el parpadeo "01" 4 veces, después, vuelve a mostrar la temperatura

ambiente actual.

- Modo de calefacción alta – 1500 W: se iluminará el indicador de calefacción alta (3C). La pantalla (4) muestra el parpadeo "02" 4 veces, después, vuelve a mostrar la temperatura ambiente actual.
- Botón del temporizador (9C): El temporizador puede configurarse entre 1 hora y 12 horas. Pulse el botón del temporizador (2B) para configurar el temporizador con intervalos de 1 hora. La pantalla (4) muestra en modo intermitente la duración configurada actualmente durante 5 segundos. Se iluminará el indicador del temporizador (3D). Sin el temporizador, no tiene límite.
- Botón de oscilación (9F): Pulse el botón de oscilación para activar la oscilación del calefactor. Se iluminará el indicador de oscilación (3E).
- Botón para subir la temperatura (9D): Púlselo para aumentar la temperatura ambiente deseada.
- Botón para bajar la temperatura (9E): Púlselo para reducir la temperatura ambiente deseada.

### Interruptor antivuelcos (8)

Este calefactor tiene una protección mecánica antivuelcos. Esta protección garantiza que el sistema apague automáticamente el calefactor cuando el calefactor no está colocado en vertical sobre una superficie firme y nivelada o cuando el calefactor se vuelca. Si esto ocurre, coloque el calefactor en una superficie firme y nivelada y vuelva a encenderlo.

### Protección automática contra el sobrecalentamiento

Este calefactor está equipado con un termostato interno de seguridad que limita el calentamiento y un circuito de protección contra el sobrecalentamiento. Si se alcanza una temperatura que pueda provocar el sobrecalentamiento, el sistema apagará el calefactor automáticamente. Si esto ocurre, el calefactor puede volver a arrancar solo después de restablecerlo. Para restablecer el calefactor: Desenchufe el calefactor y, antes de reiniciarlo, espere al menos 30 minutos hasta que se enfríe.

### Parada del calefactor eléctrico (Fig. A)



*Deje que el aparato se enfríe antes de apagarlo utilizando para ello la función de ventilación.*

- Pulse el botón de encendido/apagado y modo (2D) hasta que el indicador del ventilador (3A) empiece a parpadear.

- Inicialá el modo ventilador y el calefactor se enfriará durante 30 segundos. La pantalla mostrará la duración.
- Apague el interruptor principal (5).
- Extraiga el enchufe de toma de la red eléctrica.

**Almacenamiento del calefactor eléctrico**

- Deje siempre que el calefactor se enfríe completamente antes de guardarlo.
- No enrolle nunca el cable alrededor del calefactor



*Advertencia No guarde nunca el aparato en un entorno húmedo o polvoriento.*

**4. MANTENIMIENTO**



*Antes de realizar la limpieza y el mantenimiento, apague siempre el aparato y extraiga el enchufe de la red de alimentación.*

**Limpieza**



*Deje que el aparato se enfríe completamente antes de limpiarlo.*

- Limpie el calefactor con un paño (ligeramente húmedo), un cepillo o una aspiradora.
- Para proteger la carcasa, no rocíe agua sobre el calefactor ni utilice nunca disolventes –como gasolina, acetato isoamílico, tolueno, etc.– para limpiar el calefactor.
- Limpie periódicamente la entrada y la salida de aire (6, 7) con una aspiradora.
- Para guardar el calefactor, deje primero que se enfríe, y manténgalo seco.

**Solución de problemas**

En caso de que el calefactor no funcione bien, le indicamos a continuación algunas posibles causas y sus soluciones.

Problema	Posible causa	Solución
En calefactor no funciona aunque esté enchufado y el interruptor y el termostato estén en la posición de encendido.	El enchufe está flojo. No hay una buena conexión.	Extraiga el enchufe y compruebe la conexión del enchufe y la toma de corriente. Después, vuelva a enchufarlo de nuevo.
	No hay alimentación en el enchufe hembra.	Inserte el enchufe en una caja de enchufe adecuada.

El elemento calefactor se pone al rojo.	El voltaje de entrada es demasiado alto o demasiado bajo.	Utilice la alimentación eléctrica según las especificaciones de la etiqueta.
	La rejilla de entrada de aire está bloqueada.	Mantenga el calefactor alejado de cortinas, bolsas de plástico, papel y otros objetos que puedan tapar la entrada fácilmente.
El aparato no calienta. Solo se enciende el ventilador.	El botón no se ha puesto en la posición de calentamiento.	Gire el botón a la posición de calentamiento.
	El termostato no funciona	Gire el termostato y compruebe si se oye un clic de encendido/apagado. Si no se escucha ningún clic y el termostato no está dañado, el calefactor se encenderá automáticamente cuando se haya enfriado.
	El interruptor con reposición automática está activado.	Apague el calefactor y compruebe si la entrada o la salida están bloqueadas. Desconecte el enchufe y espere al menos 10 minutos a que el sistema de protección se reinicie, antes de intentar reiniciar el calefactor.
Ruido anormal	El aparato no está en vertical.	Coloque el calefactor sobre una superficie plana.

**MEDIOAMBIENTE**



*Los aparatos eléctricos o electrónicos defectuosos y/o desechados deben recogerse en lugares de reciclado apropiado.*

**Solo para países de la Comunidad Europea**

No elimine las herramientas eléctricas como residuos domésticos. De acuerdo con la Directiva europea 2012/19/UE sobre residuos de aparatos eléctricos y electrónicos, y su transposición a las legislaciones nacionales, las herramientas eléctricas que ya no se utilizan deben recogerse por separado y eliminarse en modo ecológico.

**GARANTÍA**

Los productos VONROC han sido fabricados con los estándares de calidad más elevados y garantizamos que están exentos de defectos relacionados con los materiales y la mano de obra durante el período legalmente establecido a partir de la fecha de compra original. Si, durante este periodo, el producto presenta algún fallo de los materiales y/o la mano de obra, póngase en contacto directamente con VONROC.

Las siguientes circunstancias están excluidas de esta garantía:

- Si se han realizado o se ha intentado realizar reparaciones o alteraciones en la máquina por parte de centros de servicio no autorizados.
- Desgaste normal.
- La herramienta ha sido usada impropiaemente, mal utilizada o mantenida incorrectamente.
- Si se han utilizado piezas de repuesto no originales.

Esta constituye la única garantía, expresa e implícita, ofrecida por la empresa. No existen otras garantías expresas o implícitas distintas a la especificada en el presente documento, incluidas las garantías implícitas de comerciabilidad y de adecuación a un propósito particular. VONROC no será responsable bajo ninguna circunstancia de ningún daño incidental o consecuente. Los recursos de los distribuidores están limitados a la reparación o sustitución de las unidades o piezas no conformes.

**El producto y el manual de usuario están sujetos a variaciones. Las especificaciones pueden variarse sin aviso previo.**

<b>Identificador(es) de modelo: EH519AC, EH519AC_WHITE</b>					
<b>Artículo</b>	<b>Símbolo</b>	<b>Valor</b>	<b>Unidad</b>	<b>Artículo</b>	<b>Unidad</b>
<b>Salida térmica</b>			<b>Tipo de salida térmica, solo para calefactores de espacios locales con almacenamiento eléctrico (seleccione uno)</b>		
Salida térmica nominal	Pnom	1,5	kW	Control de carga térmica manual, con termostato integrado	No
Salida térmica mínima (indicativa)	Pmin	1,0	kW	Control de carga térmica manual con información de temperatura ambiente y/o exterior	No
Salida térmica continua máxima	Pmax,c	1,5	kW	Control de carga térmica electrónica con información de temperatura ambiente y/o exterior	No
<b>Consumo eléctrico secundario</b>			Salida térmica asistida por ventilador		
En salida térmica nominal	elmax	0,000	kW	<b>Tipo de control de temperatura ambiente/salida térmica (seleccione uno)</b>	
En salida térmica mínima	elmin	0,000	kW	Salida térmica de una sola fase y sin control de temperatura ambiente	No
En modo de espera	eLSB	0,000	kW	Dos o más fases manuales, sin control de temperatura ambiente	No
				Con control de temperatura ambiente con termostato mecánico	No
				Con control de temperatura ambiente con termostato eléctrico	Sí
				Control de temperatura ambiente electrónico más temporizador diario	No
				Control de temperatura ambiente electrónico más temporizador semanal	No
<b>Otras opciones de control (se pueden realizar varias selecciones)</b>					
				Control de temperatura ambiente con detección de presencia	No
				Control de temperatura ambiente con detección de ventanas abiertas	No
				Con opción de mando a distancia	No
				Con control de arranque adaptable	No
				Con límite de tiempo de funcionamiento	Sí
				Con sensor de bola negra	No
Datos de contacto	VONROC • Lingenstraat 6 • 8028 PM • Zwolle • Países Bajos				

## 1. ISTRUZIONI DI SICUREZZA

Leggere le avvertenze di sicurezza allegate a questo manuale, le avvertenze di sicurezza aggiuntive e le istruzioni. La mancata osservanza delle avvertenze e istruzioni di sicurezza potrebbe dar luogo a scosse elettriche, incendi e/o lesioni personali gravi. Conservare le avvertenze di sicurezza e le istruzioni per riferimenti futuri.

I simboli riportati di seguito vengono utilizzati all'interno del manuale d'uso oppure sono indicati sul prodotto:



*Leggere il manuale d'uso.*



*Denota il rischio di lesioni personali, morte o danni all'apparecchio in caso di mancata osservanza delle istruzioni contenute in questo manuale.*



*Denota il rischio di scosse elettriche.*



*Apparecchio di Classe II - Doppio isolamento - Non è necessario il collegamento a terra.*



*Importante! AVVERTENZA: per evitare il surriscaldamento, non coprire il termoventilatore.*



*Non smaltire il prodotto in contenitori non idonei.*



*Il prodotto è conforme alle norme di sicurezza applicabili ai sensi delle direttive europee vigenti.*

### AVVERTENZE DI SICUREZZA GENERALI

Questo apparecchio può essere utilizzato dai bambini dagli 8 anni in su e da persone con capacità fisiche, sensoriali o mentali ridotte o con mancanza di esperienza, purché siano sorvegliati od opportunamente istruiti su come utilizzarlo in sicurezza e comprendano i pericoli inerenti. Accertarsi che i bambini non giochino con l'apparecchio. Gli interventi di pulizia e manutenzione previsti da parte dell'utilizzatore non devono essere svolti da bambini non sorvegliati.

I bambini di età inferiore ai 3 anni devono essere tenuti a debita distanza a meno che non siano

sottoposti a supervisione continua. I bambini di età compresa tra 3 anni e 8 anni possono accendere/spengere l'apparecchio solo a condizione che sia stato posizionato o installato nella normale posizione di funzionamento prevista e a condizione che siano sorvegliati o abbiano ricevuto istruzioni sull'utilizzo sicuro dell'apparecchio e comprendano i rischi associati. I bambini di età compresa tra 3 anni e 8 anni non devono collegare alla presa di corrente, regolare e pulire l'apparecchio né eseguire interventi di manutenzione previsti da parte dell'utilizzatore.



**ATTENZIONE - alcune parti di questo prodotto possono diventare roventi e causare ustioni. Prestare particolare attenzione in presenza di bambini e persone vulnerabili.**

### AVVERTENZE DI SICUREZZA AGGIUNTIVE PER IL TERMOVENTILATORE ELETTRICO

- Tenere a distanza i bambini, a meno che siano costantemente sorvegliati, per assicurarsi che non giochino con il termoventilatore.
- Non permettere ai bambini di collegare la spina del termoventilatore alla presa di corrente, né di posizionarlo, metterlo in funzione, regolarlo e pulirlo o sottoporlo ad interventi di manutenzione previsti da parte dell'utilizzatore.
- **ATTENZIONE - alcune parti di questo prodotto possono diventare roventi e causare ustioni. Prestare particolare attenzione in presenza di bambini e persone vulnerabili.**
- Il termoventilatore non è adatto per essere utilizzato all'esterno in condizioni meteorologiche di umidità, nei bagni o in altri ambienti bagnati o umidi.
- Si tenga presente che il termoventilatore può diventare molto caldo, per cui dovrebbe essere posizionato a distanza di sicurezza da oggetti infiammabili, come mobili, tende e oggetti simili.
- Per spostare il termoventilatore afferrarlo dal manico.
- Non spostare il termoventilatore quando è caldo. Attendere che l'apparecchio si raffreddi prima di muoverlo.
- Non coprire il termoventilatore.
- Non posizionare il termoventilatore immediatamente sotto una presa di corrente.
- Non collegare il termoventilatore mediante un timer di accensione e spegnimento o un altro

dispositivo in grado di mettere automaticamente in funzione l'apparecchio.

- Il termoventilatore non deve essere posizionato/ utilizzato in locali, in cui vengono utilizzati o conservati liquidi o gas infiammabili.
- In caso di utilizzo di una prolunga, essa deve essere il più possibile corta e sempre completamente estesa.
- È vietato collegare altri apparecchi alla stessa presa alla quale è collegato il termoventilatore.
- Non azionare il termoventilatore nelle immediate vicinanze di una vasca da bagno, una doccia o una piscina.
- Se il cavo di alimentazione è danneggiato, farlo sostituire dal fabbricante, da un tecnico dell'assistenza incaricato dallo stesso o da altro personale in possesso di qualifica analoga, al fine di evitare rischi per la sicurezza.
- Fare in modo che il termoventilatore sia costantemente sorvegliato e non accessibile a bambini o animali.
- Non collocare/utilizzare il termoventilatore su veicoli in movimento o in punti in cui sia facile inciamparvi sopra.
- Quando il termoventilatore non viene utilizzato per periodi prolungati, staccare la relativa spina dalla presa di corrente. Staccare la spina estraendola direttamente, mai tirando il cavo.
- Tenere il termoventilatore a distanza da tende o luoghi in cui è facile che l'ingresso dell'aria sia bloccato.
- L'accoppiatore elettrico è impermeabile quando non viene utilizzato. Per prevenire possibili scosse elettriche o una corrente di dispersione, non utilizzare mai il termoventilatore con le mani bagnate né metterlo in funzione se è presente acqua sul cavo di alimentazione.
- Non smaltire gli apparecchi elettrici tra i rifiuti generici, bensì conferirli presso appositi centri di smaltimento. Contattare la propria amministrazione locale per ottenere informazioni riguardanti i sistemi di raccolta disponibili. Se gli apparecchi elettrici sono smaltiti in discariche, le sostanze pericolose possono penetrare nelle acque di sottosuolo ed entrare nella catena alimentare, rappresentando un rischio per la propria salute e il proprio benessere.



*Avvertenza! Non utilizzare questo termoventilatore in locali di piccole dimensioni, se occupati da persone non in grado di uscire da sole, a meno che non sia garantita una supervisione costante.*



*Avvertenza! Per ridurre il rischio di incendio, tenere tessuti, tende o altri materiali infiammabili a una distanza minima di 1 m dall'uscita dell'aria.*

### **Sicurezza elettrica**

Quando si utilizzano apparecchi elettrici, osservare sempre le norme di sicurezza vigenti nel proprio Paese al fine di ridurre il rischio che si verifichino incendi, scosse elettriche e lesioni personali. Leggere le seguenti istruzioni di sicurezza e anche le istruzioni di sicurezza allegate.



*Controllare sempre che la tensione di alimentazione corrisponda alla tensione indicata sulla targhetta dei valori nominali dell'apparecchio.*

Se non è possibile evitare l'uso di un apparecchio elettrico in ambiente umido, collegarlo a una rete di alimentazione protetta da un interruttore differenziale salvavita (RCD). L'uso di un RCD riduce il rischio di scosse elettriche.

## **2. INFORMAZIONI SUL PRODOTTO**

### **Uso previsto**

Questo termoventilatore è destinato all'uso domestico e non commerciale al chiuso, per il riscaldamento temporaneo di ambienti residenziali. Non utilizzare il prodotto per scopi diversi. Il termoventilatore può essere utilizzato in locali chiusi in posizione libera, per il riscaldamento dell'ambiente circostante. Il termoventilatore può essere usato solo se completamente montato e posto in posizione verticale su una superficie stabile. Esso è dotato di un termostato e di una protezione termica a riarmo automatico che mantiene sotto controllo l'elemento termico e quindi la temperatura.

**DATI TECNICI**

<b>Numero modello</b>	<b>EH519AC, EH519AC_WHITE</b>
Alimentazione elettrica	220-240 V ~ / 50 Hz
Potenza nominale	1500 W
Impostazioni	Fan / 1000 W / 1500 W
Intervallo di temperature	15 - 40°C
Timer	1 - 12 hour
Capacità di riscaldamento	15 m²
Classe di protezione	Class II
Lunghezza cavo di alimentazione	1.6 m
Peso	2.1 kg

**DESCRIZIONE**

I numeri che compaiono nel testo si riferiscono alle figure riportate alle pagine 2-3.

1. Termoventilatore
2. Quadro di controllo
  - A. Tasto di impostazione temperatura
  - B. Tasto di impostazione timer
  - C. Tasto di attivazione oscillazione
  - D. Tasto di accensione/spengimento e tasto di selezione modalita
3. Indicatori
  - A. Indicador del ventilador
  - B. Indicador de calefacción alta
  - C. Indicador de calefacción baja
  - D. Indicador del temporizador
  - E. Indicador de oscilación
  - F. Indicador de alimentación
4. Display
5. Interruttore principale
6. Griglia di fuoriuscita aria
7. Ingresso dell'aria in aspirazione
8. Interruttore di sicurezza in caso di ribaltamento
9. Telecomando
  - A. Tasto di accensione/spengimento
  - B. Tasto di selezione modalita
  - C. Tasto di impostazione timer
  - D. Tasto di aumento temperatura
  - E. Tasto di riduzione temperatura
  - F. Tasto di attivazione oscillazione

**3. USO**

*Prima dell'uso controllare che l'apparecchio non sia danneggiato e utilizzarlo solo se le sue condizioni operative sono buone.*

Al momento del primo utilizzo del termoventilatore si potrebbe notare una leggera emissione di fumo. Si tratta di un evento normale che dovrebbe sparire dopo poco tempo. L'elemento riscaldante consiste in acciaio inox rivestito con olio protettivo durante la produzione. Il fumo è causato da residui di olio che brucia con il riscaldamento.

**Posizionamento del termoventilatore elettrico**

- Posizionare il termoventilatore in verticale su una superficie stabile e piana.
- Mantenere una distanza minima di 1 m tra la parte anteriore del corpo macchina e le pareti e di 30 cm da tutte le altre superfici del corpo macchina. Tenere lontano dagli ambienti umidi.



*Avvertenza! Accertarsi di posizionare il termoventilatore in un punto sicuro, per non inciampare sull'apparecchio e il relativo cavo di alimentazione. Accertarsi di posizionare il termoventilatore dove non rischi di cadere / ribaltarsi.*

**Avvio del termoventilatore elettrico (Fig. A, B)**

- Collegare il cavo di alimentazione alla presa di corrente.
- Accendere l'interruttore principale (5).
- Premere il tasto di accensione/spengimento e tasto di selezione modalita(2D) per avviare il termoventilatore. L'ultima impostazione viene salvata. Premere il tasto accensione/spengimento e tasto di selezione modalita (2D) per cambiare la modalita di riscaldamento. Il pulsante di accensione/spengimento e modalita (2D) alterna tra acceso, modalita ventola, riscaldamento al minimo, riscaldamento al massimo e spento.
  - Ventola: l'indicatore della ventola (3A) si accendera.
  - Modalita di riscaldamento al minimo - 1.000 W: l'indicatore del riscaldamento al minimo (3B) si accendera. Il display (4) mostra "01" lampeggiante per 4 volte, quindi lo schermo torna a mostrare la temperatura ambiente attuale.



- Modalità di riscaldamento al massimo – 1500 W: l'indicatore del riscaldamento al massimo (3C) si accenderà. Il display (4) mostra "02" lampeggiante per 4 volte, quindi lo schermo torna a mostrare la temperatura ambiente attuale.

### Regolazione della temperatura (Fig B, C)

- Come impostazione predefinita sul display (4) viene visualizzata la temperatura dell'ambiente.
- L'ultima impostazione viene salvata. La temperatura può essere impostata tra 15 °C e 40 °C.
- Impostare la temperatura al valore desiderato premendo i tasti di impostazione temperatura (2A, 9D, 9E).
- Il valore della temperatura obiettivo continuerà a lampeggiare per 5 secondi dopo l'ultima pressione del tasto, poi il display visualizzerà la temperatura dell'ambiente.

### Temperatura costante dell'ambiente

Il termoventilatore si avvia e si arresta automaticamente in modo da mantenere costante la temperatura dell'ambiente. Quando la temperatura dell'ambiente raggiunge il valore impostato, l'elemento riscaldante si spegne. Appena la temperatura ambientale inizia ad abbassarsi l'elemento riscaldante si riaccende.

### Funzioni del quadro di controllo (Fig. B)

Il termoventilatore può essere azionato dal Quadro di controllo (2). Le funzioni disponibili sono:

- Tasto di impostazione temperatura (2A): premere questo tasto per aumentare la temperatura dell'ambiente al valore desiderato. Quando si raggiunge la temperatura massima di 40 °C, si ricomincia da 15 °C.
- Tasto di impostazione timer (2B): El temporizador puede configurarse entre 1 hora y 12 horas. Pulse el botón del temporizador (2B) para configurar el temporizador con intervalos de 1 hora. La pantalla (4) muestra en modo intermitente la duración configurada actualmente durante 5 segundos. Se iluminará el indicador del temporizador (3D). Sin el temporizador, no tiene límite.
- Tasto di attivazione oscillazione (2C): premere questo tasto per attivare la funzione di oscillazione del termoventilatore. L'indicatore dell'oscillazione (3E) si accenderà. Premerlo nuovamente per disattivarla.
- Tasto di accensione/spegnimento e tasto di

selezione modalità (2D): Il pulsante di accensione/spegnimento e modalità (2D) alterna tra acceso, modalità ventola, riscaldamento al minimo, riscaldamento al massimo e spento.

- Ventola: l'indicatore della ventola (3A) si accenderà.
- Modalità di riscaldamento al minimo – 1.000 W: l'indicatore del riscaldamento al minimo (3B) si accenderà. Il display (4) mostra "01" lampeggiante per 4 volte, quindi lo schermo torna a mostrare la temperatura ambiente attuale.
- Modalità di riscaldamento al massimo – 1500 W: l'indicatore del riscaldamento al massimo (3C) si accenderà. Il display (4) mostra "02" lampeggiante per 4 volte, quindi lo schermo torna a mostrare la temperatura ambiente attuale.

### Funzioni del telecomando (Fig. C)

Oltre che mediante il quadro di controllo menzionato in precedenza, il termoventilatore può essere azionato anche mediante il telecomando (9). Le funzioni disponibili sono:

- Tasto di accensione/spegnimento (9A): accende e spegne il termoventilatore.
- Tasto di selezione modalità (9B): consente di passare dalla modalità ventola a quella di riscaldamento al massimo e al minimo.
- Ventola: l'indicatore della ventola (3A) si accenderà.
- Modalità di riscaldamento al minimo – 1.000 W: l'indicatore del riscaldamento al minimo (3B) si accenderà. Il display (4) mostra "01" lampeggiante per 4 volte, quindi lo schermo torna a mostrare la temperatura ambiente attuale.
- Modalità di riscaldamento al massimo – 1500 W: l'indicatore del riscaldamento al massimo (3C) si accenderà. Il display (4) mostra "02" lampeggiante per 4 volte, quindi lo schermo torna a mostrare la temperatura ambiente attuale.
- Tasto di impostazione timer (9C): El temporizador puede configurarse entre 1 hora y 12 horas. Pulse el botón del temporizador (2B) para configurar el temporizador con intervalos de 1 hora. La pantalla (4) muestra en modo intermitente la duración configurada actualmente durante 5 segundos. Se iluminará el indicador del temporizador (3D). Sin el temporizador, no tiene límite.

- Tasto di attivazione oscillazione (9F): premere questo tasto per attivare la funzione di oscillazione del termoventilatore. L'indicatore dell'oscillazione (3E) si accenderà. Premerlo nuovamente per disattivarla.
- Tasto di aumento temperatura (9D): premere questo tasto per aumentare la temperatura dell'ambiente al valore desiderato.
- Tasto di riduzione temperatura (9E): premere questo tasto per ridurre la temperatura dell'ambiente al valore desiderato.

#### Interruttore di sicurezza in caso di ribaltamento (9)

Questo termoventilatore è dotato di un dispositivo di protezione meccanica in caso di ribaltamento. Questa protezione assicura lo spegnimento automatico del termoventilatore se quest'ultimo non è posto in verticale su una superficie solida e piana o se dovesse capitare che esso si ribalti. In tal caso, posizionare il termoventilatore su una superficie solida e piana e riavviarlo.

#### Controllo di sicurezza automatico contro il surriscaldamento

Questo termoventilatore è dotato di termostato di sicurezza di limitazione del riscaldamento interno e di un circuito di protezione contro il surriscaldamento. Quando viene raggiunta una temperatura di potenziale surriscaldamento, il sistema spegne automaticamente il termoventilatore.

In questo caso, il termoventilatore potrà riprendere a funzionare solo dopo il ripristino. Per ripristinare il termoventilatore: Scollegare la spina dalla presa di corrente e attendere almeno 30 minuti che si raffreddi prima di riavviarlo.

#### Spegnimento del termoventilatore elettrico (Fig. A, B)



*Fare raffreddare l'apparecchio a prima di spegnerlo, utilizzando la funzione di ventilazione.*

- Premere il pulsante di accensione/spegnimento e modalità (2D) fino a quando l'indicatore della ventola (3A) inizia a lampeggiare.
- La modalità ventola si avvia, raffreddando il termoventilatore per 30 secondi. Sul display viene visualizzata la durata.
- Spegnerlo l'apparecchio tramite l'interruttore principale (4).

- Estrarre la spina del cavo di alimentazione dalla presa di corrente.

#### Conservazione del termoventilatore elettrico

- Attendere sempre che il termoventilatore si sia raffreddato completamente prima di riporlo.
- Non avvolgere mai il cavo di alimentazione attorno al termoventilatore



*Avvertenza! Non riporre mai l'apparecchio in un ambiente umido o polveroso.*

## 4. MANUTENZIONE



*Prima di eseguire qualsiasi operazione di pulizia e intervento di manutenzione spegnere sempre l'apparecchio e staccare la spina dalla presa di corrente.*

#### Pulizia



*Attendere che l'apparecchio si sia raffreddato completamente prima di pulirlo.*

- Pulire il termoventilatore con un panno (leggermente umido), una spazzola o un aspirapolvere.
- Per proteggere la parte esterna del corpo macchina evitare che finiscano schizzi d'acqua sul termoventilatore e non utilizzare mai un solvente, come benzina, acetato di isoamile, toluene, ecc., per pulire l'apparecchio.
- Pulire regolarmente le griglie d'ingresso e d'uscita dell'aria (6, 7) con un aspirapolvere.
- Quando si deve riporre il termoventilatore, farlo prima raffreddare e mantenerlo asciutto.

#### Risoluzione dei problemi

Qualora il termoventilatore elettrico non funzionasse correttamente, vengono elencati in seguito alcune cause possibili e la relativa soluzione ai problemi.

Problema	Causa possibile	Azione da intraprendere
Il termoventilatore non funziona, anche quando è collegato alla presa di corrente e l'interruttore e il termostato sono accesi.	La spina è allentata, collegamento difettoso	Estrarre la spina, verificare il collegamento su spina e presa. Poi ricollegare.
	Assenza di corrente nella presa di alimentazione	Inserire la spina in una presa adeguata
L'elemento riscaldante è incandescente	La tensione di ingresso è troppo elevata o troppo ridotta	Utilizzare l'alimentazione di corrente conformemente all'indicazione sull'etichetta
	La griglia di ingresso aria in aspirazione è bloccata	Mantenere il termoventilatore lontano da oggetti come tende, sacchetti di plastica, carta e altri oggetti che possono coprire l'ingresso dell'aria o essere coperti facilmente sull'ingresso dell'aria
L'apparecchio non riscalda, solamente il ventilatore è in funzione	L'interruttore non è stato portato sull'impostazione di riscaldamento	Girare l'interruttore sull'impostazione di riscaldamento
	Il termostato è in funzione	Girare il termostato e ascoltare se è presente una voce aperta/chiusa. Qualora non sia udibile un clic e il termostato non sia danneggiato, il termoventilatore si accende automaticamente quanto l'apparecchio si è raffreddato
	La protezione termica a riarmo automatico entra in funzione	Spegnere il termoventilatore e ispezionare il blocco di ingresso e uscita. Staccare la spina e attendere almeno 10 minuti per il ripristino del sistema di protezione prima di rimettere in funzione il termoventilatore.
Rumore eccessivo	L'apparecchio non si trova in posizione verticale	Collocare il termoventilatore su una superficie piana

### Solo per i Paesi UE

Non smaltire gli elettrodomestici insieme ai rifiuti domestici. Secondo la Direttiva europea 2012/19/CE sui rifiuti delle apparecchiature elettriche ed elettroniche e relativa implementazione nelle normative locali, gli apparecchi elettrici ormai inutilizzabili devono essere raccolti separatamente e smaltiti nel rispetto dell'ambiente.

### GARANZIA

I prodotti VONROC sono sviluppati secondo gli standard di qualità più elevati e sono garantiti esenti da difetti, sia per quanto riguarda i materiali che la lavorazione, per il periodo stabilito per legge a decorrere dalla data di acquisto iniziale. Se durante questo periodo il prodotto dovesse presentare dei difetti di materiali e/o di lavorazione, contattare direttamente VONROC.

Le seguenti circostanze sono escluse dalla garanzia:

- esecuzione o tentativo di esecuzione di riparazioni o modifiche all'apparecchio da parte di personale di centri di assistenza non autorizzati;
- usura normale;
- maltrattamento, uso in maniera impropria o manutenzione inadeguata dell'apparecchio;
- utilizzo di ricambi non originali.

La presente costituisce l'unica garanzia espressa o implicita fornita dall'azienda. Non sono concesse altre garanzie, né espresse né implicite, oltre a quelle descritte in questo documento, comprese le garanzie implicite di commerciabilità e idoneità per uno scopo particolare. In nessun caso VONROC sarà ritenuta responsabile di alcun danno incidentale o consequenziale. I rimedi offerti dai rivenditori si limiteranno alla riparazione o alla sostituzione delle unità o dei componenti non conformi.

### PROTEZIONE DELL'AMBIENTE



*Le apparecchiature elettriche o elettroniche difettose e/o scartate devono essere conferite presso gli appositi centri di riciclaggio.*

**Il prodotto e il manuale d'uso sono soggetti a modifiche. I dati tecnici possono essere modificati senza ulteriore notifica.**

<b>Codice/i di identificazione modello: EH519AC, EH519AC_WHITE</b>					
<b>Dato</b>	<b>Simbolo</b>	<b>Valore</b>	<b>Unità</b>	<b>Dato</b>	<b>Unità</b>
<b>Potenza termica</b>				<b>Tipo di apporto termico, solo per gli apparecchi elettrici per il riscaldamento di ambienti ad accumulo (selezionare una sola opzione)</b>	
Potenza termica nominale	Pnom	1,5	kW	controllo manuale del carico termico, con termostato integrato	No
Potenza termica minima (indicativa)	Pmin	1,0	kW	controllo manuale del carico termico con riscontro della temperatura dell'ambiente e/o esterna	No
Potenza termica continua massima	Pmax,c	1,5	kW	controllo elettronico del carico termico con riscontro della temperatura dell'ambiente e/o esterna	No
<b>Consumo ausiliario di energia elettrica</b>				potenza termica assistita da ventola	No
Alla potenza termica nominale	elmax	0,000	kW	<b>Tipo di potenza termica/controllo della temperatura dell'ambiente (selezionare una sola opzione)</b>	
Alla potenza termica minima	elmin	0,000	kW	potenza termica a fase unica senza controllo della temperatura dell'ambiente	No
In modalità standby	eISB	0,000	kW	Due o più stadi manuali, senza controllo della temperatura dell'ambiente	No
				con controllo temperatura dell'ambiente tramite termostato meccanico	No
				con controllo temperatura dell'ambiente tramite termostato elettronico	Sì
				controllo elettronico della temperatura dell'ambiente più timer giornaliero	No
				controllo elettronico della temperatura dell'ambiente più timer settimanale	No
				<b>Altre opzioni di controllo (è possibile selezionare più opzioni)</b>	
				controllo della temperatura dell'ambiente, con rilevatore di presenza	No
				controllo della temperatura dell'ambiente, con rilevatore di finestre aperte	No
				con opzione di controllo a distanza	No
				con controllo di avviamento adattivo	No
				con limitazione del tempo di funzionamento	Sì
				con sensore di temperatura a globo nero	No
Dati di contatto	VONROC • Lingenstraat 6 • 8028 PM • Zwolle • Paesi Bassi				

## 1. SÄKERHETSANVISNINGAR

Läs de medföljande säkerhetsvarningarna, de kompletterande säkerhetsvarningarna och anvisningarna. Underlåtenhet att följa säkerhetsvarningarna och anvisningarna kan orsaka elstöt, brand och/eller allvarlig skada. Spara säkerhetsvarningarna och anvisningarna som framtida referensmaterial.

Följande symboler används i användarhandboken eller på produkten:



Läs användarhandboken.



Anger risk för personskada, dödsfall eller skada på verktyget om anvisningarna i denna handbok inte följs.



Anger risk för elstöt.



Klass II-maskin - dubbel isolering - du behöver ingen jordad kontakt.



Viktigt! VARNING: Täck inte värmaren för att undvika överhettning.



Kassera inte produkten i olämpliga containrar.



Produkten uppfyller gällande säkerhetsnormer i EU-direktiven.

### ALLMÄNNA SÄKERHETSANVISNINGAR

Denna apparat kan användas av barn från 8 år och personer med nedsatt fysisk eller psykisk förmåga eller bristande erfarenhet eller kunskap, om de övervakas eller får instruktioner om hur apparaten används på ett säkert sätt och är medvetna om riskerna. Barn får inte leka med apparaten. Rengöring och användarunderhåll ska inte utföras av barn utan övervakning.

Barn under 3 år bör hållas borta om de inte övervakas kontinuerligt. Barn från 3 år och under 8 år får endast slå på/stänga av apparaten under förutsättning att den har placerats eller installerats i dess avsedda normala driftläge och de har tillsyn eller fått instruktioner om hur man använder apparaten på ett säkert sätt och förstår riskerna. Barn från 3 år och yngre än 8 år får inte koppla in, reglera och rengöra apparaten eller utföra användarunderhåll.



**FÖRSIKTIGHET** – Vissa delar av denna apparat kan bli mycket varma och orsaka brännskador. Var särskilt uppmärksam om barn och känsliga personer är närvarande.

### KOMPLETTERANDE SÄKERHETSANVISNINGAR FÖR ELEKTRISK VÄRMARE

- Barn ska hållas under uppsikt så att de inte leker med maskinen.
- Barn får inte ansluta, placera, använda, reglera och rengöra apparaten eller utföra användarunderhåll.
- FÖRSIKTIGHET: Vissa delar av denna apparat kan bli mycket varma och orsaka brännskador. Var särskilt uppmärksam om barn och känsliga personer är närvarande.
- Värmaren är inte lämplig för utomhusbruk i fuktigt väder, i badrum eller i andra våta eller fuktiga miljöer.
- Observera att maskinen kan bli mycket varm och därför bör placeras på ett säkert avstånd från brandfarliga föremål som möbler, gardiner och liknande.
- Använd handtaget när du flyttar denna värmare.
- Flytta inte värmaren när den är uppvärmd. Låt produkten svalna ordentligt innan du hanterar den.
- Täck inte över värmaren.
- Värmaren får inte placeras direkt under ett uttag.
- Anslut inte värmaren med en på/av-timer eller annan utrustning som automatiskt kan slå på enheten.
- Värmaren får inte placeras/användas i rum där brandfarliga vätskor eller gaser används eller lagras.
- Om en förlängningsladd används måste den vara så kort som möjligt och alltid vara helt förlängd.
- Du får inte ansluta andra apparater till samma eluttag som värmaren.
- Använd inte värmaren i närheten av ett badkar, en dusch eller en pool.
- Om sladden är skadad måste den bytas ut av tillverkaren, dess servicerepresentant eller motsvarande behörig person för att undvika fara.
- Se till att värmaren alltid är övervakad och håll barn och djur borta från den.
- Placera/använd inte värmaen på fordon i rörelse eller på platser där det är lätt att snubbla över den.
- När värmaren inte används under en längre tid, koppla ur den från eluttaget. Dra ut kontakten rakt ut, ta aldrig bort kontakten genom att dra i sladden.

- Håll värmaren långt från gardiner eller platser där luftintagsöppningar lätt kan blockeras.
- Strömkopplingen är vattentät när den inte används. För att förhindra eventuella elektriska stötar eller läckström, använd aldrig värmaren med blöta händer, använd inte heller värmaren när det finns vatten på nätsladden.
- Kassera inte elektriska apparater som osorterat kommunalt avfall, använd separata återvinningscentraler. Kontakta lokala myndigheter för information om tillgängliga insamlingssystem. Om den elektriska apparaten slängs på deponier eller soptippar kan farliga ämnen läcka ut i grundvattnet och komma in i näringskedjan, vilket kan skada din hälsa och ditt välbefinnande.



*Varning! Använd inte denna värmare i små rum när de är upptagna av personer som inte kan lämna rummet på egen hand, såvida inte konstant övervakning tillhandahålls.*



*Varning! För att minska risken för brand, håll textilier, gardiner eller annat brandfarligt material på minst 1 m avstånd från luftutloppet.*

### Elsäkerhet

Följ alltid säkerhetsföreskrifterna som gäller i ditt land när du arbetar med elverktyg för att minska risken för brand, elstöt och personskada personskada. Läs följande säkerhetsanvisningar och även de bifogade säkerhetsinstruktionerna.



*Kontrollera alltid så att spänningen på nätet motsvarar den spänning som finns angiven på märkplåten.*

Använd jordfelskydd (RCD) om arbete med ett elverktyg i fuktig miljö är oundvikligt. Användning av jordfelsbrytare minskar risken för elstötar.

## 2. MASKININFORMATION

### Avsedd användning

Den elektriska värmaren är avsedd för inomhus, icke-kommersiell användning i hushåll för tillfällig uppvärmning av bostadsrum. Använd inte produkten för andra ändamål. Värmaren kan användas i slutna rum i fristående läge för rumsuppvärmning. Värmaren får endast användas helt monterad

och stående vertikalt på en stabil yta. Den har en termostat och en självvaterställande termisk avstängning för att styra värmeelementet och därmed temperaturen.

### TEKNISKA SPECIFIKATIONER

Modell-nr	EH519AC, EH519AC_WHITE
Strömförsörjning	220-240 V ~ / 50 Hz
Effekt	1500 W
Inställningar	Fan / 1000 W / 1500 W
Temperaturområde	15 - 40°C
Timer	1 - 12 hour
Värmekapacitet	15 m <sup>2</sup>
Skyddsklass	Class II
Längd på sladd	1.6 m
Vikt	2.1 kg

### BESKRIVNING

Siffrorna i texten hänvisar till diagrammen på sidorna 2-3.

1. Värmare
2. Manöverpanel
  - A. Temperaturknapp
  - B. Temperaturknapp
  - C. Oscillationsknapp
  - D. Strömbrytare och lägesknapp
3. Indikatorer
  - A. Fläktindikator
  - B. Indikator för hög värme
  - C. Indikator för lagvärme
  - D. Indikator för timer
  - E. Oscillationsindikator
  - F. Effektmätare
4. Display
5. Huvudbrytare
6. Luftutloppsgaller
7. Luftinlopp
8. Säkerhetsbrytare för vältning
9. Fjärrkontroll
  - A. Strömbrytare
  - B. Lägesknapp
  - C. Timerknapp
  - D. Knapp för temperaturökning
  - E. Knapp för temperatursänkning
  - F. Oscillationsknapp

### 3. ANVÄNDNING



*Kontrollera om enheten är skadad före användning och använd den endast i gott skick.*

När du använder värmaren för första gången kan du märka ett litet rökutsläpp. Detta är helt normalt och det upphör efter en kort tid. Värmeelementet är tillverkat av rostfritt stål och täcktes med skyddsolja vid tillverkningen. Röken orsakas av den kvarlämnade oljan vid uppvärmning.

#### Placering av elvärmaren

- Placera värmaren uppåt på en stabil och plan yta.
- Håll ett avstånd på minst 1 m mellan husets och väggarnas framsida och 30 cm från alla andra ytor. Förvaras åtskilt från våta miljöer.



*Varning! Se till att placera värmaren på en säker plats, så att du inte lätt kan snubbla över maskinen och kabeln. Se till att placera värmaren så att den inte kan falla ner/av.*

#### Starta elvärmaren (fig. A, B, V)

- Anslut kabeln till strömuttaget.
- Vrid på huvudbrytaren (5).
- Tryck på Strömbrytare och lägesknapp(2D,9B) för att starta värmaren. Den senaste inställningen har sparats. Tryck på Strömbrytare och lägesknapp (2D) för att ändra värmeläge.
  - Fläkt: lägesindikatorn (4B) visar en prick. Indikatorlampan (3) blir blå. På-/av- och lägesknappen (2D) växlar mellan på, fläktläge, låg värme, hög värme och av.
  - Fläkt: Fläktindikatorn (3A) tänds. Indikatorlampan (3A) blir blå.
  - Lågt värmeläge – 1000W: indikatorn för låg värme (3B) tänds. Displayen (4) visar blinkande "01" fyra gånger, sedan återgår skärmen till att visa nuvarande omgivningstemperatur.
  - Högt värmeläge – 1500W: indikatorn för hög värme (3C) tänds. Displayen (4) visar blinkande "02" fyra gånger, sedan återgår skärmen till att visa nuvarande omgivningstemperatur.

#### Justering av temperaturen (bild B, C)

- Som standard visas den omgivande temperaturen på displayen (4).
- Den senaste inställningen har sparats. Tempe-

raturen kan ställas in mellan 15 °C och 40 °C.

- Ställ in önskad temperatur genom att trycka på temperaturknappen (2A, 9D, 9E).
- Måltemperaturen fortsätter att blinka i 5 sekunder efter den senaste knapptryckningen, sedan återgår displayen till omgivningstemperaturen.

#### Konstant rumstemperatur

Elementet startar och stannar nu automatiskt och håller rumstemperaturen konstant. När omgivningstemperaturen i rummet når önskad måltemperatur, kommer värmeelementet vara i standbyläge. När omgivningstemperaturen börjar sjunka kommer värmeelementet att slås på igen.

#### Funktioner på kontrollpanelen (bild B)

Värmaren kan styras med hjälp av kontrollpanelen (2). De tillgängliga funktionerna är:

- Temperaturknapp (2A): Tryck på för att öka den önskade omgivningstemperaturen. När den maximala temperaturen på 40 °C är uppnådd startar den på nytt vid 15 °C.
- Timerknapp (2B): Timern kan ställas in mellan 1 timme och 9 timmar. Tryck på timerknappen (2B) för att ställa in timern med 1 timmes intervall. På displayen (4) visas den för tillfället inställda varaktigheten. Timerindikatorn (3B) tänds. Utan en timer finns det ingen gräns.
- Oscillationsknapp (2B): Tryck på oscillationsknappen för att aktivera värmaren att svänga. Oscillationsindikatorn (3E) tänds. Tryck på den igen för att inaktivera.
- Strömbrytare och lägesknapp (2D): På-/av- och lägesknappen (2D) växlar mellan på, fläktläge, låg värme, hög värme och av.
  - Fläkt: Fläktindikatorn (3A) tänds. Indikatorlampan (3A) blir blå.
  - Lågt värmeläge – 1000W: indikatorn för låg värme (3B) tänds. Displayen (4) visar blinkande "01" fyra gånger, sedan återgår skärmen till att visa nuvarande omgivningstemperatur.
  - Högt värmeläge – 1500W: indikatorn för hög värme (3C) tänds. Displayen (4) visar blinkande "02" fyra gånger, sedan återgår skärmen till att visa nuvarande omgivningstemperatur.

#### Fjärrkontrollens funktioner (bild C)

Förutom den tidigare nämnda styrningen via kontrollpanelen kan värmaren även styras med fjärrkontrollen (9). De tillgängliga funktionerna är:

- Strömbrytare (9A): Slar på och stänger av

värmaren.

- Lägessknapp (9B): Växlar mellan fläkt, lag och hög värme.
  - Fläkt: Fläktindikatorn (3A) tänds. Indikatorlampan (3A) blir blå.
  - Lågt värmeläge – 1000W: indikatorn för låg värme (3B) tänds. Displayen (4) visar blinkande "01" fyra gånger, sedan återgår skärmen till att visa nuvarande omgivningstemperatur.
  - Högt värmeläge – 1500W: indikatorn för hög värme (3C) tänds. Displayen (4) visar blinkande "02" fyra gånger, sedan återgår skärmen till att visa nuvarande omgivningstemperatur.
- Timerknapp (9C): Timern kan ställas in mellan 1 timme och 9 timmar. Tryck på timerknappen för att ställa in timern med 1 timmes intervall. På displayen (4) visas den för tillfället inställda varaktigheten. Timerindikatorn (3B) tänds. Utan en timer finns det ingen gräns.
- Oscillationsknapp (9F): Tryck på oscillationsknappen för att aktivera värmaren att svänga. Oscillationsindikatorn (3E) tänds. Tryck på den igen för att inaktivera.
- Knapp för temperaturökning (9D): Tryck för att öka den önskade omgivningstemperaturen.
- Knapp för temperatursänkning (9E): Tryck på för att sänka den önskade omgivningstemperaturen.

#### Säkerhetsbrytare för vältning (8)

Denna värmare har ett mekaniskt tippskydd. Detta skydd säkerställer att när värmaren inte står upprätt på en fast och jämn yta eller när värmaren välter, kommer systemet automatiskt att stänga av värmaren. Om detta inträffar, ställ värmaren på en stadig och jämn yta och starta värmaren igen.

#### Automatisk överhettningsskontroll

Denna värmare är utrustad med säkerhetsintern värmebegränsande termostat och överhettningsskyddskrets. När en potentiell överhettningstemperatur uppnås stänger systemet automatiskt av värmaren.

Om detta inträffar kan värmaren fortsätta användas först efter att den har återställts. Så här återställer du värmaren: Koppla ur värmaren och vänta minst 30 minuter på att den svalnar innan du startar om värmaren.

#### Stoppa elvärmaren (fig. A)



Låt maskinen svalna innan du stänger av den med hjälp av ventilationsfunktionen.

- Tryck på på-/av- och lägessknappen (2D) tills fläktindikatorn (3A) börjar att blinka.
- Fläktläget startar och kylar ner värmaren i 30 sekunder. Displayen visar den inställda tiden.
- Sla av huvudströmbrytaren (5).
- Dra ut kontakten ur eluttaget.

#### Förvaring av elvärmaren

- Låt alltid värmaren svalna helt innan du förvarar den.
- Vira aldrig kabeln runt värmaren



Varning! Förvara aldrig maskinen i en våt eller dammig miljö

## 4. UNDERHÅLL



Stäng alltid av maskinen och ta ut strömkontakten från strömkällan innan rengöring och underhåll.

#### Rengöring



Låt maskinen svalna helt innan rengöring.

- Rengör värmaren med en (lätt fuktig) trasa, borste eller dammsugare.
- För att skydda höljet, stänk inte vatten på värmaren och använd aldrig ett lösningsmedel som bensen, isoamylacetat, toluen etc. för att rengöra värmaren.
- Rengör luftintaget och luftutloppet (6, 7) regelbundet med en dammsugare.
- När du lagrar värmaren, låt den svalna först och håll den torr.



## Felsökning

Om den elektriska värmaren inte fungerar bra ger vi dig några möjliga orsaker och deras lösningar.

Problem	Möjlig orsak	Åtgärd
Värmaren fungerar inte, även när den är inkopplad och omkopplaren är termostaten påslagen.	Kontakten är lös, dålig anslutning	Dra ut kontakten, kontrollera anslutningen av kontakten och uttaget. Anslut sedan igen.
	Ingen ström i uttaget	Sätt i kontakten i ett fungerande uttag
Värmeelementet glöder	Ingångsspänningen är för hög eller för låg	Använd strömförsörjning enligt märkningen på etiketten
	Luftintagsgallret är blockerat	Håll värmaren långt från föremål som gardin, plastpåse, papper och andra saker som kan täcka intaget eller kan hindra luftintaget
Apparaten värms inte upp, bara fläkten fungerar	Omkopplaren har inte ställt in på värmeinställningen	Vrid omkopplaren till värmeinställning
	Termostaten aktiverades	Vrid termostaten och lyssna om det finns öppen/stäng-signal. Om det inte hörs något klick och termostaten inte är skadad, slås värmaren på automatiskt när apparaten svalnat
	Den automatiska avstängningen fungerade	Stäng av värmaren och inspektera blockering av inlopp eller utlopp. Koppla ur kontakten och vänta minst 10 minuter tills skyddssystemet återställs innan du försöker starta om värmaren.
Onormalt ljud	Apparaten står inte upp	Ställ värmaren på en plan yta

## GARANTI

VONROC-produkter är utvecklade enligt högsta kvalitetsstandard och garanteras fria från defekter i både material och utförande under den period som lagen föreskriver från och med inköpsdatumet. Om produkten skulle utveckla fel under denna period på grund av defekt material och/eller utförande, kontakta då VONROC direkt.

Följande omständigheter är undantagna från denna garanti:

- Reparationer och/eller ändringar har gjorts eller försökts utföras på maskinen av obehöriga servicecenter;
- Normalt slitage;
- Verktyget har missbrukats, använts på fel sätt eller underhållits felaktigt;
- Reservdelar som inte är original har använts.

Detta utgör den enda garantin som företaget ger antingen uttryckt eller underförstått. Det finns inga andra garantier uttryckta eller underförstådda som sträcker sig bortom detta, inklusive de underförstådda garantierna för säljbarhet och lämplighet för ett visst syfte. Under inga omständigheter ska VONROC hållas ansvarigt för indirekta skador eller följdskador. Återförsäljarnas åtgärder ska begränsas till reparation eller byte av enheter eller delar som inte uppfyller kraven.

**Produkten och användarhandboken kan ändras. Specifikationerna kan ändras utan förvarning.**

## MILJÖ



*Felaktig och/eller kasserad elektrisk eller elektronisk utrustning måste lämnas in på lämpliga återvinningsstationer.*

### Endast för EU-länder

Kassera inte elverktyg i hushållsavfall. Enligt den europeiska riktlinjen 2012/19/EU om kasserad elektrisk och elektronisk utrustning och dess tillämpning i nationell rätt måste elverktyg som inte längre är användbara samlas in separat och kasseras på ett miljövänligt sätt.

<b>Modellbeteckning: EH519AC, EH519AC_WHITE</b>					
<b>Artikel</b>	<b>Symbol</b>	<b>Värde</b>	<b>Enhet</b>	<b>Artikel</b>	<b>Enhet</b>
<b>Värmeeffekt</b>				<b>Typ av värmeinmatning, endast för lokala förvaringsvärmare för elektrisk lagring (välj en)</b>	
Nominell värmeeffekt	P <sub>nom</sub>	1,5	kW	manuell värmeladdningskontroll, med integrerad termostat	Nr
Minsta värmeeffekt (indikativ)	P <sub>min</sub>	1,0	kW	manuell värmeladdningskontroll med rums- och/eller utetemperaturåterkoppling	Nr
Maximal kontinuerlig värmeeffekt	P <sub>max,c</sub>	1,5	kW	elektronisk värmeladdningskontroll med rums- och/eller utetemperaturåterkoppling	Nr
<b>Extra elförbrukning</b>				<b>fläktassisterad värmeeffekt</b>	
Vid nominell värmeeffekt	e <sub>lmax</sub>	0,000	kW	<b>Typ av värmeeffekt/rumstemperaturreglering (välj en)</b>	
Vid minsta nominell värmeeffekt	e <sub>lmin</sub>	0,000	kW	enstegs värmeeffekt och ingen rumstemperaturreglering	Nr
I standbyläge	e <sub>lSB</sub>	0,000	kW	Två eller flera manuella steg, ingen rumstemperaturreglering	Nr
				med mekanisk termostat rumstemperaturreglering	Nr
				med elektronisk rumstemperaturreglering	Ja
				elektronisk rumstemperaturreglering plus dagtimer	Nr
				elektronisk rumstemperaturreglering plus veckotimer	Nr
				<b>Andra kontrollalternativ (flera val möjliga)</b>	
				rumstemperaturreglering, med närvarodetektering	Nr
				rumstemperaturreglering, med detektering av öppna fönster	Nr
				med alternativ för fjärrkontroll	Nr
				med adaptiv startkontroll	Nr
				med begränsad arbetstid	Ja
				med svart lampsensor	Nr
Kontaktuppgifter	VONROC • Lingenstraat 6 • 8028 PM • Zwolle • Nederländerna				

## 1. SIKKERHEDSANVISNINGER

Læs de vedlagte sikkerhedsadvarsler, de yderligere sikkerhedsadvarsler og vejledningen. Hvis sikkerhedsadvarslene og vejledningen ikke følges, kan det resultere i elektrisk stød, brand og/eller alvorlige personskader. Gem sikkerhedsadvarslene og vejledningen til fremtidig brug.

Følgende symboler anvendes i brugervejledningen eller på produktet:



Læs brugervejledningen.



Angiver risiko for personskade, dødsfald eller beskadigelse af værktøjet i tilfælde af manglende overholdelse af anvisningerne i denne vejledning.



Angiver risiko for elektrisk stød.



Klasse II-maskine - Dobbeltisoleret - Du har ikke brug for et jordstik.



Vigtigt: ADVARSEL: For at undgå overophedning må varmeapparatet ikke tildækkes.



Bortskaf ikke produktet i uegnede beholdere.



Produktet er i overensstemmelse med de gældende sikkerhedsstandarder i EU-direktiverne.

### GENERELLE SIKKERHEDSADVARSLER

Dette apparat kan anvendes af børn på 8 år og derover samt af personer med nedsatte fysiske, sensoriske eller mentale evner eller manglende erfaring og viden, hvis de holdes under opsyn eller har fået vejledning i at bruge apparatet på en sikker måde og forstår de dermed forbundne risici. Børn må ikke lege med apparatet. Rengøring og brugervedligeholdelse må ikke udføres af børn uden opsyn.

Børn under 3 år bør holdes væk, medmindre de er under konstant opsyn. Børn fra 3 år og under 8 år må kun tænde/slukke for apparatet, hvis det har været placeret eller installeret i dets tilsigtede normale driftsposition, og de har fået tilsyn eller instruktion om brug af apparatet på en sikker måde

og forstår de involverede farer. Børn fra 3 år og under 8 år må ikke tilslutte, regulere og rengøre apparatet eller udføre brugervedligeholdelse.



**FORSIGTIG — nogle dele af dette produkt kan blive meget varme og forårsage forbrændinger. Man skal især være opmærksom, hvis der er børn og sårbare personer til stede.**

### YDERLIGERE SIKKERHEDSADVARSLER FOR ELEKTRISK VARMEAPPARAT

- Børn bør holdes væk, med mindre de overvåges konstant, for at sikre, at de ikke leger med varmeapparatet.
- Børn må ikke tilslutte, placere, betjene, regulere og rengøre apparatet eller udføre brugervedligeholdelse.
- **FORSIGTIG**—nogle dele af dette produkt kan blive meget varme og forårsage forbrændinger. Man skal især være opmærksom, hvis der er børn og sårbare personer til stede.
- Varmeapparatet er ikke egnet til udendørs brug i fugtigt vejr, på badeværelser eller i andre våde eller fugtige miljøer.
- Bemærk, at varmeapparatet kan blive meget varmt, og det bør derfor placeres på sikker afstand af brandfarlige genstande, som f.eks. møbler, gardiner og lignende.
- Brug håndtaget, når du flytter dette varmeapparat.
- Flyt ikke varmeapparatet, når det er varmt. Lad produktet køle helt af, før du håndterer det.
- Dæk ikke varmeapparatet til.
- Varmeapparatet må ikke placeres umiddelbart under en stikkontakt.
- Tilslut ikke varmeapparatet ved hjælp af en tænd/sluk-timer eller andet udstyr, der automatisk kan tænde enheden.
- Varmeapparatet må ikke placeres/anvendes i rum, hvor der bruges eller opbevares brandfarlige væsker eller gasser.
- Hvis der bruges en forlængerledning, skal den være så kort som muligt og altid være helt forlænget.
- Du må ikke slutte andre apparater til den samme stikkontakt som varmeapparatet.
- Brug ikke varmeapparatet i umiddelbar nærhed af et bad, et brusebad eller en swimmingpool.
- Hvis forsyningsledningen er beskadiget, skal den udskiftes af producenten, dens serviceagent eller lignende kvalificerede personer for at undgå farer.

- Sørg for, at varmeapparatet altid er under overvågning, og hold børn og dyr væk fra det.
- Undlad at placere/bruge varmeapparatet på køretøjer i bevægelse eller andre steder, hvor det let kan vælte.
- Når varmeapparatet ikke bruges i lang tid, skal du trække varmeapparatets stik ud af kontakten. Træk stikket lige ud, og fjern aldrig stikket ved at trække i ledningen.
- Hold varmeapparatet langt væk fra gardiner eller steder, hvor luftindtaget let kan blokeres.
- Strømkoblingen er vandtæt, når den ikke er i brug. For at forhindre et muligt elektrisk stød eller lækstrøm må varmeapparatet aldrig bruges med våde hænder, og varmeapparatet må aldrig betjenes, når der er vand på netledningen.
- Undlad at bortskaffe elektriske apparater som usorteret kommunalt affald. Brug separate indsamlingsanlæg. Kontakt din kommune for at få oplysninger om tilgængelige indsamlings-systemer. Hvis elektriske apparater bortskaffes på losse- eller affaldspladser, kan farlige stoffer sive ud i grundvandet og komme ind i fødekæden, hvilket kan skade dit helbred og dit velbefindende.



*Advarsel! Brug ikke dette varmeapparat i små rum, når de er optaget af personer, som ikke er i stand til at forlade rummet på egen hånd, medmindre der er konstant opsyn.*



*Advarsel! For at reducere risikoen for brand skal tekstiler, gardiner eller andet brændbart materiale holdes i en afstand på mindst 1 meter fra luftudløbet.*

### El-sikkerhed

Når du bruger elektriske maskiner, skal du altid overholde de gældende sikkerhedsbestemmelser i dit land for at reducere risikoen for brand, elektrisk stød eller personskader. Læs de følgende sikkerhedsinstruktioner samt de medfølgende sikkerhedsinstruktioner.



*Kontroller altid, at strømforsyningens spænding stemmer overens med spændingen på ydelsesskiltmærket.*

Hvis det ikke kan undgås at bruge et maskinværktøj i et fugtigt miljø, bør du anvende en forsyning, der er beskyttet af en fejlstrømsafbryder (RCD). Brugen af en RCD reducerer risikoen for elektrisk stød.

## 2. MASKINOPLYSNINGER

### Tilsigtet brug

Det elektriske varmeapparat er beregnet til indendørs, ikke-kommerciel husholdningsbrug til midlertidig opvarmning af beboelsesrum. Brug ikke produktet til andre formål. Varmeapparatet kan bruges i lukkede rum i en fritstående position til at opvarme rummet. Varmeapparatet må kun bruges helt monteret og opretstående på en stabil overflade. Den indeholder en termostat og en selvnulstillende termisk afbryder til at styre varmelegemet og dermed temperaturen.

### TEKNISKE SPECIFIKATIONER

Model nr.	EH519AC, EH519AC_WHITE
Strømforsyning	220-240 V ~ / 50 Hz
Mærkestrøm	1500 W
Indstillinger	Fan / 1000 W / 1500 W
Temperaturområde	15 - 40°C
Timer	1 - 12 hour
Varmekapacitet	15 m <sup>2</sup>
Beskyttelsesklasse	Class II
Ledningslængde	1.6 m
Vægt	2.1 kg

### BESKRIVELSE

Tallene i teksten henviser til diagrammerne på side 2-3.

1. Varmeapparat
2. Kontrolpanel
  - A. Temperaturknap
  - B. Timer-knap
  - C. Oscillationsknap
  - D. Tand-/slukknap og tilstandsknap
3. Indikatorer
  - A. Ventilatorindikator
  - B. Indikator for høj varme
  - C. Indikator for lav varme
  - D. Timerindikator
  - E. Oscilleringsindikator

- F. Strømindikator
- 4. Display
- 5. Netafbryder
- 6. Luftudløbsgitter
- 7. Luftindgang
- 8. Vælte-kontakt
- 9. Fjernbetjening
  - A. Tænd-/slukknop
  - B. Tilstandsknap
  - C. Timer-knap
  - D. Knap til temperaturstigning
  - E. Knap til temperaturreduktion
  - F. Oscillationsknap

### 3. DRIFT



*Se enheden efter for skader inden brug, og brug den kun, når den er i god stand.*

Når du bruger varmeapparatet for første gang, vil du muligvis bemærke en let røgemission. Dette er ganske normalt, og det stopper efter kort tid. Varmelegemet er fremstillet af rustfrit stål og er blevet belagt med beskyttelsesolie ved produktionen. Røgen skyldes den resterende olie, der opvarmes.

#### Placering af det elektriske varmeapparat

- Stil varmeapparatet lodret på en fast og plan overflade.
- Hold en minimal afstand på 1 m mellem husets forside og vægge og 30 cm fra alle andre af husets overflader. Skal holdes væk fra våde miljøer.



*Advarsel! Sørg for at placere varmeapparatet et sikkert sted, så du ikke let kan snuble over maskinen og kablet. Sørg for at placere varmeapparatet, hvor det ikke kan falde ned/af.*

#### Start af det elektriske varmeapparat (fig. A, B)

- Slut kablet til strømnettet.
- Tænd for netafbryderen (5).
- Tryk på tænd-/sluk-knappen (2D) for at starte varmeren. Den sidste indstilling er blevet gemt. Tryk på tilstandsknappen (2D) for at ændre varmetilstanden. Tænd/sluk- og tilstandsknappen (2D) skifter mellem tændt, ventilatortilstand, lav varme, høj varme og slukket.
  - Ventilator: Ventilatorindikatoren (3A) lyser.
  - Lav varmetilstand – 1000 W: indikatoren for lav varme (3B) lyser. Displayet (4) viser blinkende "01" 4 gange, og derefter vender skær-

men tilbage til at vise den aktuelle omgivende temperatur.

- Høj varmetilstand – 1500 W: Indikatoren for høj varme (3C) lyser. Displayet (4) viser blinkende "02" 4 gange, og derefter vender skærmen tilbage til at vise den aktuelle omgivende temperatur.

#### Justering af temperaturen (fig. B, C)

- Som standard vises omgivelsestemperaturen på displayet (4).
- Den sidste indstilling er blevet gemt. Temperaturen kan indstilles til mellem 15°C og 40°C.
- Indstil temperaturen som ønsket ved at trykke på knappen til stigning eller øgning af temperatur (2A, 9D, 9E).
- Måltemperaturen bliver ved med at blinke i 5 sekunder efter sidste knaptryk, hvorefter displayet viser den omgivende temperatur.

#### Konstant rumtemperatur

Varmeapparatet starter og stopper automatisk for at holde stuetemperaturen konstant. Når den omgivende temperatur i rummet når den ønskede måltemperatur, kommer varmelegemet i standby-tilstand. Når den omgivende temperatur begynder at falde, tænder varmelegemet igen.

#### Kontrolpanelets funktioner (fig. B)

Varmeren kan betjenes af kontrolpanelet (2). De tilgængelige funktioner er:

- Temperaturknap (2A): Tryk på for at øge den ønskede omgivende temperatur. Når maksimum på 40 °C er nået, starter den igen ved 15 °C.
- Timer-knap (2B): Timeren kan indstilles mellem 1 time og 12 timer. Tryk på timer-knappen (2B) for at indstille timeren med 1 times intervaller. Displayet (4) viser blinkende den aktuelt indstillede varighed i 5 sekunder. Timerindikatoren (3B) lyser. Uden en timer er der ingen grænse.
- Oscillationsknap (2C): Tryk på oscillationsknappen for at aktivere varmeapparatet til at svinge. Oscillationsindikatoren (3E) lyser. Tryk på den igen for at deaktivere.
- Tænd-/slukknop og tilstandsknap (2D): Tænd/sluk- og tilstandsknappen (2D) skifter mellem tændt, ventilatortilstand, lav varme, høj varme og slukket.
  - Ventilator: Ventilatorindikatoren (3A) lyser.
  - Lav varmetilstand – 1000 W: indikatoren for lav varme (3B) lyser. Displayet (4) viser blink-

kende "01" 4 gange, og derefter vender skærmen tilbage til at vise den aktuelle omgivende temperatur.

- Høj varmetilstand – 1500 W: Indikatoren for høj varme (3C) lyser. Displayet (4) viser blinkende "02" 4 gange, og derefter vender skærmen tilbage til at vise den aktuelle omgivende temperatur.

### Fjernbetjeningens funktioner (fig. C)

Ud over den for navnte betjening af kontrolpanelet kan varmeren også betjenes med fjernbetjeningen (9). De tilgængelige funktioner er:

- Tænd-/slukknop (9A): Tander og slukker for varmeren.
- Tilstandsknap (9B): Skifter mellem ventilator, lav og høj varme.
  - Ventilator: Ventilatorindikatoren (3A) lyser.
  - Lav varmetilstand – 1000 W: indikatoren for lav varme (3B) lyser. Displayet (4) viser blinkende "01" 4 gange, og derefter vender skærmen tilbage til at vise den aktuelle omgivende temperatur.
  - Høj varmetilstand – 1500 W: Indikatoren for høj varme (3C) lyser. Displayet (4) viser blinkende "02" 4 gange, og derefter vender skærmen tilbage til at vise den aktuelle omgivende temperatur.
- Timer-knap (9C): Timeren kan indstilles mellem 1 time og 12 timer. Tryk på timer-knappen (9C) for at indstille timeren med 1 times intervaller. Displayet (4) viser blinkende den aktuelt indstillede varighed i 5 sekunder. Timerindikatoren (3B) lyser. Uden en timer er der ingen granse.
- Oscillationsknap (9F): Tryk på oscillationsknappen for at aktivere varmeapparatet til at svinge. Oscillationsindikatoren (3E) lyser. Tryk på den igen for at deaktivere.
- Knap til temperaturstigning (9D): Tryk for at øge den ønskede omgivende temperatur.
- Knap til temperaturreduktion (9E): Tryk for at reducere den ønskede omgivende temperatur.

### Vælte-kontakt (8)

Dette varmeapparat har en mekanisk væltebeskyttelse. Denne beskyttelse sikrer, at når varmeapparatet ikke står oprejst på et fast og jævnt underlag, eller når varmelegemet vælter, vil systemet automatisk slukke for varmeapparatet. Hvis dette sker, skal du placere varmeapparatet på et fast og jævnt underlag og starte varmeapparatet igen.

### Automatisk sikkerhedskontrol til overophedning

Dette varmeapparat er udstyret med en intern varmebegrænsende termostat og et beskyttelses-kredsløb mod overophedning. Når en mulig overophedningstemperatur er nået, slukker systemet automatisk for varmeapparatet.

Hvis dette sker, kan varmeapparatet først genoptages efter nulstilling. Sådan nulstilles varmeapparatet: Træk varmeapparatets stik ud, og vent mindst 30 minutter på, at det køler ned, før du genstarter varmeapparatet.

### Stop af det elektriske varmeapparat (fig. A)



Lad maskinen køle af, inden den slukkes ved hjælp af ventilationsfunktionen.

- Tryk på tænd/sluk- og tilstandsknappen (2D), indtil ventilatorindikatoren (3A) begynder at blinke.
- Ventilatortilstanden starter og nedkøler varmeren i 30 sekunder. Displayet viser varigheden.
- Sluk for netafbryderen (5).
- Træk stikket ud af netstikkontakten.

### Opbevaring af det elektriske varmeapparat

- Lad altid varmelegemet køle helt af, før maskinen stilles til opbevaring.
- Kablet må aldrig vikles omkring varmeapparatet



Advarsel! Opbevar aldrig maskinen i et vådt eller støvet miljø

## 4. VEDLIGEHOLDELSE



Før rengøring og vedligeholdelse skal du altid slukke for maskinen og trække netstikket ud af kontakten.

### Rengøring



Lad maskinen køle helt af inden rengøring.

- Rengør varmeren med en (let fugtig) klud, børste eller støvsuger.
- For at beskytte afskærmningen må du ikke sprøjte vand på varmeapparatet, og du må aldrig bruge et opløsningsmiddel som benzin, isoamylacetat, toluen osv. til at rengøre varmeapparatet.
- Rengør luftindgangen og -udgangen (6, 7) regelmæssigt med en støvsuger.

- Når du stiller varmeapparatet til opbevaring, skal du først lade det køle af og holde det tørt.

### Fejlfinding

Hvis det elektriske varmeapparat ikke virker godt, giver vi dig nogle af de mulige årsager og deres løsninger.

Problem	Mulig årsag	Behandling
Varmeapparatet fungerer ikke, selvom det er sluttet til kontakten, og termostaten er tændt.	Stikket er løst, dårlig forbindelse	Træk stikket ud, og kontroller stikkets og kontaktens forbindelse. Tilslut derefter igen.
	Ingen strøm i stikkontakt	Indsæt stikket i en passende stikkontakt
Varmelegemet gløder	Indgangsspændingen er for høj eller for lav	Brug strømforsyning i henhold til dataene på mærket
	Luftindtagsgitteret er blokeret	Hold varmeapparatet væk fra genstande såsom gardiner, plastikposer, papir og andre ting, som kan dække indgangen eller let kan dække luftindtaget
Apparatet varmede ikke op, kun blæseren virkede	Kontakten blev ikke stillet på varmeindstilling	Drej kontakten til varmeindstilling
	Termostaten var i gang	Drej termostaten og lyt efter, om der er en åbn/luk-stemme. Hvis der ikke er noget klik, og termostaten ikke er beskudiget, tændes varmeapparatet automatisk, når apparatet er kølet af
	Den selvnulstillende afbryder var i gang	Sluk for varmeapparatet og undersøg blokeringen af indløb eller udløb. Træk stikket ud, og vent mindst 10 minutter, før beskyttelsessystemet nulstilles, før du forsøger at genstarte varmeapparatet.
Unormal lyd	Apparatet står ikke lodret	Stil varmeapparatet på en plan overflade

elværktøj, der ikke længere kan bruges, indsamles separat og bortskaffes på en miljøvenlig måde.

### GARANTI

VONROC-produkter er udviklet til de højeste kvalitetsstandarder og er garanteret fri for defekter i både materialer og udførelse i den periode, der er retsligt angivet fra datoen for det originale køb. Hvis produktet skulle udvikle fejl i denne periode på grund af defekt materiale og/eller udførelse, bedes du kontakte VONROC direkte.

Følgende omstændigheder er udelukket fra denne garanti:

- Uautoriserede servicecentre har foretaget eller gjort forsøg på at foretage reparationer og/eller ændringer på maskinen;
- Normal slitage;
- Værktøjet er blevet misbrugt, brugt forkert eller ikke passende vedligeholdt;
- Der er anvendt ikke-originale reservedele.

Dette udgør den eneste garanti, virksomheden har givet, enten udtrykt eller underforstået. Der er ingen andre garantier, udtrykt eller underforstået, som strækker sig ud over denne, herunder de underforståede garantier for salgbarhed og egnethed til et bestemt formål. Under ingen omstændigheder skal VONROC holdes ansvarlig for tilfældige skader eller følgeskader. Forhandlerens retsmidler skal være begrænset til reparation eller udskiftning af enheder eller dele, der ikke overholder kravene.

**Produktet og brugervejledningen er genstand for ændringer. Specifikationer kan ændres uden yderligere varsel.**

### MILJØ



Defekte og/eller bortskaffede elektriske og elektroniske apparater skal afleveres på en passende genbrugsstation.

### Kun for lande i EU

Maskinværktøj må ikke bortskaffes sammen med husholdningsaffald. I henhold til EU-direktivet 2012/19/EU om affald af elektrisk og elektronisk udstyr og dets implementering i national lov skal

Modelidentifikator(er): EH519AC, EH519AC_WHITE					
Element	Symbol	Værdi	Enhed	Element	Enhed
<b>Varmeeffekt</b>				<b>Type varmeinput, kun til elektrisk opbevaring lokal rum varmeapparater (vælg én)</b>	
Nominel varmeeffekt	Pnom	1,5	kW	manuel styring af varmeladning, med integreret termostat	Nej
Minimal varmeeffekt (indikativ)	Pmin	1,0	kW	manuel styring af varmeladning med feedback om rum- og/eller udetemperatur	Nej
Maksimal kontinuerlig varmeeffekt	Pmax,c	1,5	kW	elektronisk styring af varmeladning med feedback om rum- og/eller udetemperatur	Nej
<b>Ekstra elforbrug</b>				blæserassisteret varmeeffekt	
Ved nominel varmeeffekt	elmax	0,000	kW	<b>Type varmeeffekt/rumtemperaturstyring (vælg én)</b>	
Ved minimal varmeeffekt	elmin	0,000	kW	enkeltfaset varmeeffekt og ingen rumtemperaturstyring	Nej
I standby-tilstand	eISB	0,000	kW	To eller flere manuelle trin, ingen rumtemperaturstyring	Nej
				med mekanisk termostat-rumtemperaturstyring	Nej
				med elektronisk rumtemperaturstyring	Ja
				elektronisk rumtemperaturstyring plus dagtimer	Nej
				elektronisk rumtemperaturstyring plus ugetimer	Nej
<b>Andre styringsmuligheder (flere valg mulige)</b>					
				rumtemperaturstyring, med detektion af tilstedeværelse	Nej
				rumtemperaturstyring, med detektion af åbent vindue	Nej
				med mulighed for afstandsstyring	Nej
				med adaptiv startstyring	Nej
				med begrænsning af driftstid	Ja
				med sort pære-sensor	Nej
Kontaktoplysninger	VONROC • Lingenstraat 6 • 8028 PM • Zwolle • Nederlandene				



## 1. INSTRUKCJE DOTYCZĄCE BEZPIECZEŃSTWA

Przeczytać dołączone ostrzeżenia dotyczące bezpieczeństwa, dodatkowe ostrzeżenia dotyczące bezpieczeństwa oraz instrukcję. Nieprzestrzeganie ostrzeżeń dotyczących bezpieczeństwa oraz instrukcji może prowadzić do porażenia prądem, pożaru i/lub poważnych obrażeń ciała. Zachować ostrzeżenia dotyczące bezpieczeństwa oraz instrukcje na przyszłość.

Następujące symbole są umieszczone w instrukcji obsługi lub na produkcie:



*Przeczytać instrukcję obsługi.*



*Oznacza ryzyko obrażeń ciała, śmierci lub uszkodzenia narzędzia w razie nieprzestrzegania poleceń z instrukcji.*



*Oznacza ryzyko porażenia prądem.*



*Maszyna klasy II - Podwójna izolacja - Nie trzeba stosować wtyczek z uziemieniem.*



*Ważne! OSTRZEŻENIE: Aby uniknąć przegrzania, nie wolno przykrywać grzejnika.*



*Nie wyrzucać produktu do nieodpowiednich pojemników.*



*Produkt spełnia wymogi odpowiednich norm bezpieczeństwa podanych w dyrektywach UE.*

### OGÓLNE OSTRZEŻENIA DOTYCZĄCE BEZPIECZEŃSTWA

To urządzenie może być używane przez dzieci w wieku od 8 lat i osoby z ograniczonymi zdolnościami fizycznymi, czuciowymi lub umysłowymi lub nieposiadające doświadczenia i wiedzy, jeśli znajdują się one pod nadzorem lub zostały przeszkolone z bezpiecznego użytkowania urządzenia i rozumieją związane z tym zagrożenia. Dzieciom nie wolno pozwalać bawić się urządzeniem. Dzieciom bez nadzoru nie wolno przeprowadzać czyszczenia i konserwacji urządzenia.

Nie pozwalają zbliżać się do urządzenia dzieciom w wieku poniżej 3 lat, jeśli nie znajdują się pod sta-

łym nadzorem. Dzieciom w wieku od 3 lat i poniżej 8 lat wolno włączać/wyłączać urządzenie, tylko jeśli urządzenie zostało ustawione lub zainstalowane w normalnym położeniu roboczym zgodnie z przeznaczeniem i tylko jeśli dzieci znajdują się pod nadzorem lub zostały nauczone obsługi urządzenia w bezpieczny sposób i rozumieją związane z tym zagrożenia. Dzieciom w wieku od 3 lat i poniżej 8 lat nie wolno podłączać urządzenia do zasilania, regulować go, czyścić ani wykonywać czynności konserwacji dopuszczalnej dla użytkownika.



**PRZESTROGA** — *niektóre elementy tego produktu mogą stać się bardzo gorące i spowodować oparzenia. Należy zwracać szczególną uwagę na przebywające w pobliżu dzieci i osoby niepełnosprawne.*

### DODATKOWE OSTRZEŻENIA DOTYCZĄCE BEZPIECZEŃSTWA ELEKTRYCZNEGO GRZEJNIKA

- Dzieciom nie wolno zbliżać się do urządzenia, chyba że są stale pod opieką, aby nie mogły bawić się grzejnikiem.
- Dzieciom nie wolno podłączać, ustawiać, obsługiwać, regulować i czyścić urządzenia ani wykonywać czynności konserwacyjnych.
- PRZESTROGA - niektóre elementy tego produktu mogą stać się bardzo gorące i spowodować oparzenia. Należy zwracać szczególną uwagę na przebywające w pobliżu dzieci i osoby niepełnosprawne.
- Grzejnik nie nadaje się do użytku na zewnątrz przy dużej wilgotności, w łazienkach lub w innych wilgotnych lub mokrych środowiskach.
- Należy pamiętać, że grzejnik może się bardzo nagrzewać i dlatego powinien być umieszczony w bezpiecznej odległości od przedmiotów łatwopalnych, takich jak meble, zasłony itp.
- Używać uchwytu do przemieszczania tego grzejnika.
- Nie przemieszczać tego grzejnika, gdy jest rozgrzany. Poczekać, aż produkt całkowicie ostygnie przed jego dotknięciem.
- Nie wolno przykrywać grzejnika.
- Grzejnika nie wolno stawiać bezpośrednio pod gniazdkiem elektrycznym.
- Nie należy podłączać grzejnika za pomocą wtycznika czasowego lub innych urządzeń, które mogą automatycznie włączać urządzenie.

- Grzejnik nie może być umieszczany/używany w pomieszczeniach, w których używane lub przechowywane są łatwopalne ciecze lub gazy.
- W przypadku stosowania przedłużacza musi on być jak najkrótszy i zawsze całkowicie rozwinięty.
- Nie wolno podłączać innych urządzeń do tego samego gniazdka elektrycznego, do którego jest podłączony ten grzejnik.
- Nie należy używać grzejnika w bezpośrednim otoczeniu wanny, prysznica lub basenu.
- Jeśli przewód zasilania jest uszkodzony, musi go wymienić producent, jego przedstawiciel serwisowy lub podobnie, odpowiednio wykwalifikowana osoba, aby uniknąć zagrożenia.
- Należy się upewnić, że grzejnik jest zawsze pod nadzorem i nie wolno pozwalać dzieciom i zwierzętom przebywać w jej pobliżu.
- Nie należy umieszczać/używać grzejnika w pojazdach, które się poruszają, lub w miejscach, w których można się łatwo potknąć.
- Jeśli grzejnik nie jest używany przez dłuższy czas, należy odłączyć go od źródła zasilania. Przy wyciąganiu należy ciągnąć prosto za wtyczkę, nigdy za przewód.
- Grzejnik należy ustawić z dala od zasłon lub miejsc, w których wlot powietrza może być łatwo zablokowany.
- Łącznik zasilania jest wodoszczelny, gdy nie jest używany. Aby zapobiec porażeniu prądem elektrycznym lub prądowi upływowemu, nigdy nie należy dotykać grzejnika mokrymi rękami ani nie obsługiwać go, gdy na kablu zasilającym znajduje się woda.
- Nie wolno wyrzucać urządzeń elektrycznych jako niesortowanych odpadów komunalnych; należy korzystać z oddzielnych punktów zbiórki. Należy skontaktować się z władzami lokalnymi w celu uzyskania informacji na temat dostępnych systemów odbioru odpadów. Jeśli urządzenia elektryczne są wyrzucane na wysypiska, substancje niebezpieczne mogą przedostać się do wód gruntowych, a następnie do łańcucha pokarmowego, narażając zdrowie i dobre samopoczucie ludzi.



*Ostrzeżenie! Nie używać tego grzejnika w małych pomieszczeniach, gdzie znajdują się osoby, które nie są w stanie opuścić pomieszczenia samodzielnie, chyba że zapewniony jest stały nadzór nad takim pomieszczeniem.*



*Ostrzeżenie! Aby ograniczyć ryzyko pożaru, trzymać tkaniny, zasłony itp. łatwopalne materiały w odległości co najmniej 1 m od wylotu powietrza.*

### **Bezpieczeństwo elektryczne**

Podczas korzystania z urządzeń elektrycznych zawsze przestrzegać przepisów dotyczących bezpieczeństwa obowiązujących w kraju w celu ograniczenia ryzyka pożaru, porażenia prądem i obrażeń ciała. Przeczytać poniższą instrukcję dotyczącą bezpieczeństwa oraz dołączoną instrukcję dotyczącą bezpieczeństwa.



*Zawsze sprawdzać, czy napięcie źródła zasilania jest zgodne z napięciem podanym na tabliczce znamionowej.*

Jeśli obsługa elektronarzędzia w wilgotnym miejscu jest nieunikniona, użyć zasilania wyposażonego w wyłącznik różnicowoprądowy. Użycie wyłącznika różnicowoprądowego zmniejsza ryzyko porażenia prądem.

## **2. INFORMACJE O PRODUKCIE**

### **Przeznaczenie**

Elektryczny grzejnik jest przeznaczony do użytku innego niż komercyjny w pomieszczeniach, w gospodarstwie domowym, do tymczasowego ogrzewania pomieszczeń mieszkalnych. Nie używać tego produktu do żadnych innych celów. Grzejnik może być używany w pomieszczeniach zamkniętych jako wolno stojące urządzenie do ogrzewania pomieszczeń. Grzejnik może być używane wyłącznie po całkowitym zmontowaniu i ustawieniu pionowo na stabilnej powierzchni. Urządzenie jest wyposażone w termostat i samoczynnie resetujący się wyłącznik termiczny do sterowania elementem grzejnym, a w konsekwencji do regulacji temperatury.

**DANE TECHNICZNE**

Nr modelu	EH519AC, EH519AC_WHITE
Zasilanie	220-240 V ~ / 50 Hz
Moc znamionowa	1500 W
Ustawienia	Fan / 1000 W / 1500 W
Zakres temperatur	15 - 40°C
Wyłącznik czasowy	1 - 12 hour
Wydajność grzewcza	15 m <sup>2</sup>
Klasa ochrony	Class II
Długość przewodu	1.6 m
Ciężar	2.1 kg

**OPIS**

Liczby w tekście odnoszą się do rysunków na stronach 2-3.

1. Grzejnik
2. Panel sterowania
  - A. Przycisk temperatury
  - B. Przycisk wyłącznika czasowego
  - C. Przycisk oscylacji
  - D. Włącznik i Przycisk trybu
3. Kontrolki
  - A. Kontrolka wentylatora
  - B. Kontrolka wysokiej mocy ogrzewania
  - C. Kontrolka niskiej mocy ogrzewania
  - D. Kontrolka wyłącznika czasowego
  - E. Kontrolka oscylacji
  - F. Kontrolka zasilania
4. Wyświetlacz
5. Włącznik główny
6. Kratka wylotu powietrza
7. Wlot powietrza
8. Wyłącznik po przewróceniu
9. Pilot
  - A. Włącznik
  - B. Przycisk trybu
  - C. Przycisk wyłącznika czasowego
  - D. Przycisk zwiększania temperatury
  - E. Przycisk zmniejszania temperatury
  - F. Przycisk oscylacji

**3. OBSŁUGA**

Przed użyciem sprawdzić urządzenie pod kątem uszkodzeń i używać tylko w przypadku, gdy jest ono w dobrym stanie technicznym.

Przy pierwszym użyciu z grzejnika może się wydobywać niewielka ilość dymu. Jest to zjawisko całkowicie normalne, które po krótkim czasie zanika. Element grzejny wykonany jest ze stali nierdzewnej i w procesie produkcji został pokryty olejem ochronnym. Dym jest wynikiem spalania się reszty oleju podczas nagrzewania.

**Umiejscowienie elektrycznego grzejnika**

- Grzejnik należy postawić na twardej i poziomej powierzchni.
- Należy zachować minimalną odległość 1 m między przodem obudowy a ścianami i 30 cm od wszystkich innych powierzchni obudowy. Urządzenie należy trzymać z dala od wilgotnych środowisk.



*Ostrzeżenie! Należy upewnić się, że grzejnik znajduje się w bezpiecznym miejscu, aby nie można było łatwo potknąć się o urządzenie i kabel. Koniecznie umieszczać grzejnik w miejscu, z którego nie spadnie.*

**Włączanie elektrycznego grzejnika (rys. A, B)**

- Podłączyć kabel do sieciowego gniazdka elektrycznego.
- Przesłać włącznik główny (5) w położenie włączone.
- Wcisnąć Włącznik i Przycisk trybu(2D), aby włączyć grzejnik. Ostatnie ustawienie pozostaje zapisane. Wcisnąć Włącznik i Przycisk trybu (2D), aby zmienić tryb ogrzewania. Przycisk włącznika (2D) pozwala na kolejne przełączanie między następującymi trybami: włączenie, tryb wentylatora, tryb niskiej mocy grzania, tryb wysokiej mocy grzania oraz wyłączenie.
  - Wentylator: Kontrolka wentylatora (3A) zacznie świecić.
  - Tryb niskiej mocy grzania – 1000 W: zacznie świecić kontrolka niskiej mocy grzania (3B). Na wyświetlaczu (4) 4 razy mignie „01”, a następnie ekran powróci do wyświetlania aktualnej temperatury otoczenia.
  - Tryb wysokiej mocy grzania – 1500 W: zacznie świecić kontrolka wysokiej mocy grzania (3C). Na wyświetlaczu (4) 4 razy mignie „02”, a następnie ekran powróci do wyświetlania aktualnej temperatury otoczenia.

### Regulacja temperatury (rys. B, C)

- Domyślnie temperatura otoczenia jest wyświetlona na wskaźniku (4).
- Ostatnie ustawienie pozostaje zapisane. Temperaturę można ustawić w zakresie od 15°C do 40°C.
- Ustawić preferowaną temperaturę, wciskając przycisk zwiększania lub zmniejszania temperatury wyłącznika czasowego (2A, 9D, 9E).
- Temperatura docelowa będzie migać dalej przez 5 sekund po ostatnim naciśnięciu przycisku, po czym wyświetlacz zacznie wskazywać temperaturę otoczenia.

### Stała temperatura pomieszczenia

Grzejnik włącza się i wyłącza automatycznie, dzięki czemu utrzymuje stałą temperaturę w pomieszczeniu. Gdy temperatura otoczenia w pomieszczeniu osiągnie żądany poziom, element grzejny przełączy się w tryb gotowości. Gdy temperatura otoczenia znacznie spadać, element grzejny włączy się ponownie.

### Funkcje panelu sterowania (rys. B)

Grzejnik można obsługiwać z panelu sterowania (2). Dostępne funkcje to:

- Przycisk temperatury (2A): Wcisnąć, aby zwiększać docelową temperaturę otoczenia. Po osiągnięciu maksymalnej wartości 40°C, wartość będzie przestawiana z powrotem od 15°C.
- Przycisk wyłącznika czasowego (2B): Wyłącznik czasowy można ustawić na wartość od 1 do 12 godzin. Wcisnąć przycisk wyłącznika czasowego (2B), aby ustawić wyłącznik czasowy w odstępach 1 godziny. Aktualnie ustawiona wartość miga na wyświetlaczu (4) przez 5 sekund. Kontrolka wyłącznika czasowego (3D) zacznie świecić. Bez użycia wyłącznika czasowego limit czasu pracy nie obowiązuje.
- Przycisk oscylacji (2C): Wcisnąć przycisk oscylacji, aby włączyć ruch wahadłowy grzejnika. Kontrolka oscylacji (3E) zacznie świecić. Wcisnąć ją ponownie, aby wyłączyć tę funkcję.
- Włącznik i Przycisk trybu (3D): Pozwala na kolejne przełączanie między następującymi trybami: włączenie, tryb wentylatora, tryb niskiej mocy grzania, tryb wysokiej mocy grzania oraz wyłączenie.
  - Wentylator: Kontrolka wentylatora (3A) zacznie świecić.
  - Tryb niskiej mocy grzania – 1000 W: zacznie świecić kontrolka niskiej mocy grzania (3B). Na wyświetlaczu (4) 4 razy mignie „01”, a nastę-

nie ekran powróci do wyświetlania aktualnej temperatury otoczenia.

- Tryb wysokiej mocy grzania – 1500 W: zacznie świecić kontrolka wysokiej mocy grzania (3C). Na wyświetlaczu (4) 4 razy mignie „02”, a następnie ekran powróci do wyświetlania aktualnej temperatury otoczenia.

### Funkcje pilota (rys. C)

Poza opisanym powyżej panelem sterowania, do obsługi grzejnika można również używać pilota (9). Dostępne funkcje to:

- Włącznik (9A): Włącza i wyłącza grzejnik.
- Przycisk trybu (9B): Przełącza po kolei między wentylacją, ogrzewaniem z niską mocą oraz ogrzewaniem z wysoką mocą.
- Włącznik i Przycisk trybu (3D): Pozwala na kolejne przełączanie między następującymi trybami: tryb wentylatora, tryb niskiej mocy grzania oraz tryb wysokiej mocy grzania.
  - Wentylator: Kontrolka wentylatora (3A) zacznie świecić.
  - Tryb niskiej mocy grzania – 1000 W: zacznie świecić kontrolka niskiej mocy grzania (3B). Na wyświetlaczu (4) 4 razy mignie „01”, a następnie ekran powróci do wyświetlania aktualnej temperatury otoczenia.
  - Tryb wysokiej mocy grzania – 1500 W: zacznie świecić kontrolka wysokiej mocy grzania (3C). Na wyświetlaczu (4) 4 razy mignie „02”, a następnie ekran powróci do wyświetlania aktualnej temperatury otoczenia.
- Przycisk wyłącznika czasowego (9C): Wyłącznik czasowy można ustawić na wartość od 1 do 12 godzin. Wcisnąć przycisk wyłącznika czasowego (9C), aby ustawić wyłącznik czasowy w odstępach 1 godziny. Aktualnie ustawiona wartość miga na wyświetlaczu (4) przez 5 sekund. Kontrolka wyłącznika czasowego (3D) zacznie świecić. Bez użycia wyłącznika czasowego limit czasu pracy nie obowiązuje.
- Przycisk oscylacji (9F): Wcisnąć przycisk oscylacji, aby włączyć ruch wahadłowy grzejnika. Kontrolka oscylacji (3E) zacznie świecić. Wcisnąć ją ponownie, aby wyłączyć tę funkcję.
- Przycisk zwiększania temperatury (9D): Wcisnąć, aby zwiększać docelową temperaturę otoczenia.
- Przycisk zmniejszania temperatury (9E): Wcisnąć, aby zmniejszać docelową temperaturę otoczenia.

### Wyłącznik po przewróceniu (8)

Ten grzejnik jest wyposażony w mechaniczną

ochronę przed przewróceniem. To zabezpieczenie gwarantuje, że gdy grzejnik nie stoi prosto na twardej i poziomej powierzchni lub gdy zostanie przewrócony, system automatycznie wyłączy grzejnik. Jeśli tak się stanie, postawić grzejnik na twardej i poziomej powierzchni i uruchomić go ponownie.

#### Automatyczne zabezpieczenie przed przegrzaniem

Grzejnik jest wyposażony w wewnętrzny termostat regulujący oraz obwód zabezpieczający przed przegrzaniem. Po osiągnięciu potencjalnej temperatury przegrzania system automatycznie wyłączy grzejnik. Jeśli tak się stanie, pracę grzejnika można wznowić tylko poprzez ponowne uruchomienie. Aby ponownie uruchomić grzejnik: Odłączyć grzejnik od zasilania i poczekać co najmniej 30 minut, aż ostygnie, przed jego ponownym uruchomieniem.

#### Wyłączanie elektrycznego grzejnika (rys. A, B)



Przed wyłączeniem urządzenia należy pozostawić urządzenie do ostygnięcia poprzez użycie funkcji wentylacji.

- Wcisnąć przycisk włącznika (2D), aż kontrolka wentylatora (3A) zacznie migać.
- Uruchomi się tryb wentylatora, który będzie schładzać grzejnik przez 30 sekund. Na wyświetlaczu widać będzie pozostały czas.
- Przesławić włącznik główny (5) w położenie wyłączone.
- Wyciągnąć wtyczkę z gniazdka elektrycznego.

#### Przechowywanie elektrycznego grzejnika

- Przed przechowywaniem należy zawsze pozostawić grzejnik do całkowitego ostygnięcia.
- Nigdy nie wolno owijać kabla wokół grzejnika



Ostrzeżenie! Nigdy nie należy przechowywać urządzenia w wilgotnym lub zapyłonym środowisku

## 4. KONSERWACJA



Przed rozpoczęciem czyszczenia i konserwacji zawsze wyłączać narzędzie i wyjmować wtyczkę zasilania sieciowego z gniazdka.

#### Czyszczenie



Przed czyszczeniem należy pozostawić urządzenie do całkowitego ostygnięcia.

- Oczyszczyć grzejnik (lekko zwilżoną) ściereczką, szczotką lub odkurzaczem.
- Aby chronić obudowę, nie wolno rozpryskiwać wody na grzejnik i nigdy nie wolno do czyszczenia grzejnika używać rozpuszczalników, takich jak benzyna, octan izoamylu, toluen itp.
- Regularnie czyścić wlot i wylot powietrza (6, 7) odkurzaczem.
- W przypadku przechowywania grzejnika najpierw należy pozostawić go do ostygnięcia i dopilnować, aby był suchy.

#### Rozwiązywanie problemów

W przypadku, gdy elektryczny grzejnik nie działa prawidłowo, podajemy kilka możliwych przyczyn i ich rozwiązania.

Problem	Możliwa przyczyna	Rozwiązanie
Grzejnik nie działa, nawet jeśli jest podłączony do prądu oraz włącznik i termostat są włączone.	Wtyczka jest luźna, źle podłączona	Wyciągnąć wtyczkę, sprawdzić połączenie wtyczki i gniazdka. Następnie podłączyć ponownie.
	Brak zasilania w gniazdku elektrycznym	Włożyć wtyczkę do działającego gniazdka
Element grzejny jarzy się	Napięcie wejściowe jest zbyt wysokie lub zbyt niskie	Należy stosować zasilacz zgodny z wartością znamionową podaną na etykiecie
	Kratka wlotu powietrza jest zablokowana	Grzejnik musi być ustawiony z dala od przedmiotów, takich jak zasłony, plastikowe worki, papier i inne elementy, które mogą zakryć wlot powietrza.
Urządzenie nie nagrzewało, tylko wentylator działał	Przełącznik nie został ustawiony w położeniu ogrzewania	Ustaw przełącznik w położeniu ogrzewania
	Termostat nie działa	Przekręcić termostat i posłuchać, czy słychać dźwięk otwierania/zamykania. Jeśli nie słychać kliknięcia i termostat nie jest uszkodzony, grzejnik włączy się automatycznie po ochłodzeniu urządzenia.
	Samoczynnie resetujący się włącznik nie działa	Wyłączyć grzejnik i sprawdzić, czy wlot lub wylot nie jest zablokowany. Wyciągnąć wtyczkę i przed próbą ponownego uruchomienia grzejnika odczekać co najmniej 10 minut, aż zresetuje się system zabezpieczający.
Nietypowy hałas	Urządzenie nie stoi w pozycji pionowej.	Ustawić grzejnik na poziomej powierzchni.

## OCHRONA ŚRODOWISKA



*Uszkodzone i/lub niepotrzebne urządzenia elektryczne lub elektroniczne podlegają zbiórce w odpowiednich punktach recyklingu.*

### Tylko kraje WE

Nie wyrzucać elektronarzędzi wraz z odpadami z gospodarstw domowych. Zgodnie z dyrektywą 2012/19/UE dotyczącą zużytych urządzeń elektrycznych i elektronicznych oraz jej wdrożeniem do prawodawstwa krajowego, elektronarzędzia, które już nie nadają się do użytku, podlegają oddzielnej zbiórce oraz utylizacji w sposób przyjazny dla środowiska.

## GWARANCJA

Produkty VONROC są wytwarzane zgodnie z najwyższymi standardami jakości i producent udziela gwarancji na wady materiałowe i wady wykonania na okres wymagany prawem, licząc od dnia zakupu. Jeśli wystąpi usterka produktu w tym okresie spowodowana wadą materiałową i/lub wadą wykonania, proszę bezpośrednio skontaktować się ze sprzedawcą VONROC.

Następujące okoliczności powodują unieważnienie gwarancji:

- Przeprowadzono naprawy lub modyfikacje narzędzia w serwisie innym lub autoryzowany lub podjęto ich próbę,
- Normalne zużycie,
- Narzędzie było używane niezgodnie z przeznaczeniem, źle z nim się obchodzono lub było nieprawidłowo konserwowane,
- Użyto części zamiennych innych niż oryginalne.

Niniejsza gwarancja to wyłączna gwarancja producenta i nie obowiązują żadne inne wyrażone ani dorozumiane gwarancje. Nie obowiązują żadne inne wyrażone ani dorozumiane gwarancje o zakresie przekraczającym niniejszą gwarancję, co obejmuje dorozumiane gwarancje przydatności do sprzedaży i przydatności do określonego celu. W żadnym przypadku firma VONROC nie ponosi odpowiedzialności za straty przypadkowe lub wynikowe. Zadośćuczyna-

nienie sprzedawcy jest ograniczone do naprawy lub wymiany niezgodnych urządzeń lub części.

**Produkt i instrukcja obsługi podlegają zmianom. Dane techniczne podlegają zmianom bez uprzedzenia.**

<b>Oznaczenie(a) modelu: EH519AC, EH519AC_WHITE</b>					
<b>Pozycja</b>	<b>Symbol</b>	<b>Wartość</b>	<b>Jednostka</b>	<b>Pozycja</b>	<b>Jednostka</b>
<b>Moc grzewcza</b>			<b>Typ sterowania grzaniem, dotyczy tylko elektrycznych grzejników do najbliższego otoczenia (wybrać jeden)</b>		
Znamionowa moc grzewcza	Pnom	1,5	kW	ręczne sterowanie ogrzewaniem, z wbudowanym termostatem	Nie
Minimalna moc grzewcza (charakterystyczna)	Pmin	1,0	kW	ręczne sterowanie mocą grzewczą z sygnałami zwrotnymi temperatury w pomieszczeniu i/lub poza pomieszczeniem	Nie
Maksymalna ciągła moc grzewcza	Pmax,c	1,5	kW	elektroniczne sterowanie mocą grzewczą z sygnałami zwrotnymi temperatury w pomieszczeniu i/ lub poza pomieszczeniem	Nie
<b>Dodatkowe zużycie energii elektrycznej</b>			moc grzewcza wspomagana wentylatorem		
Przy znamionowej mocy grzewczej	elmax	0,000	kW	<b>Typ sterowania mocą grzewczą/temperaturą w pomieszczeniu (wybrać jeden)</b>	
Przy minimalnej mocy grzewczej	elmin	0,000	kW	jednostopniowe sterowanie mocą grzewczą bez regulacji temperatury w pomieszczeniu	Nie
W trybie gotowości	eISB	0,000	kW	Dwa lub trzy ręcznie ustawiane stopnie, brak regulacji temperatury w pomieszczeniu	Nie
				z regulacją temperatury w pomieszczeniu z użyciem mechanicznego termostatu	Nie
				z elektroniczną regulacją temperatury w pomieszczeniu	Tak
				elektroniczna regulacja temperatury w pomieszczeniu oraz dzienny włącznik czasowy	Nie
				elektroniczna regulacja temperatury w pomieszczeniu oraz tygodniowy włącznik czasowy	Nie
<b>Inne opcje sterowania (możliwy wybór wielu pozycji)</b>					
				regulacja temperatury w pomieszczeniu z wykrywaniem obecności	Nie
				regulacja temperatury w pomieszczeniu z wykrywaniem otwartego okna	Nie
				z opcją sterowania zdalnego	Nie
				ze sterowaniem adaptacyjnym uruchamianiem	Nie
				z ograniczeniem czasu pracy	Tak
				z czujnikiem ciepła promieniowania	Nie
Dane kontaktowe	VONROC • Lingenstraat 6 • 8028 PM • Zwolle • Holandia				

## 1. INSTRUCȚIUNI DE SIGURANȚĂ

Citiți avertizările de siguranță, avertizările de siguranță suplimentare și instrucțiunile. Nerespectarea avertizărilor de siguranță poate cauza producerea de electrocutări, incendii și/sau răni grave. Păstrați avertizările de siguranță și instrucțiunile pentru referințe viitoare.

În manualul de utilizare sau pe produs se utilizează următoarele simboluri:



*Citiți manualul de utilizare.*



*Indică riscul de rănire personală, pierderea vieții sau deteriorarea sculei în cazul în care nu se respectă instrucțiunile din acest manual.*



*Denotă riscul de electrocutare.*



*Mașină clasa II - Izolație dublă - Nu aveți nevoie de nicio priză de împământare.*



*Important! AVERTISMENT: Pentru a evita supraîncălzirea, nu acoperiți încălzitorul.*



*Nu scoateți din uz produsul în containere neadecvate.*



*Produsul este în conformitate cu standardele de siguranță aplicabile din directivele europene.*

### AVERTISMENTE GENERALE DE SIGURANȚĂ

Acest aparat poate fi utilizat de copiii cu vârsta de peste 8 ani și de către persoane cu capacități fizice, senzoriale sau mentale reduse sau de către persoane lipsite de experiență și cunoștințe dacă acestea au fost supravegheate și instruite cu privire la utilizarea aparatului în condiții de siguranță și înțeleg riscurile pe care le implică. Copii nu au voie să se joace cu echipamentul.

Curățarea și operațiunile de întreținere nu trebuie efectuate de copii fără supraveghere.

Copiii cu vârsta mai mică de 3 ani trebuie ținuti la distanță, cu excepția cazului în care sunt continuu supravegheați. Copiii cu vârste cuprinse între 3 ani și mai puțin de 8 ani trebuie să pornească/oprească aparatul numai cu condiția ca acesta să fie poziționat sau instalat în poziția normală de funcționare

prevăzută și dacă supravegheați sau au primit instrucțiuni privind utilizarea aparatului în condiții de siguranță și dacă înțeleg pericolele implicate. Copiii cu vârsta cuprinsă între 3 și 8 ani nu trebuie să conecteze, să regleze și să curețe aparatul sau să efectueze întreținerea acestuia.



**ATENȚIE — unele părți ale acestui produs pot deveni foarte fierbinți și pot provoca arsuri. O atenție specială trebuie acordată acolo unde sunt prezenți copiii și persoanele vulnerabile.**

### AVERTIZĂRI SUPLIMENTARE DE SIGURANȚĂ PENTRU AEROTERME

- Copiii trebuie să fie ținuti la distanță sau supravegheați în permanență, pentru a vă asigura că nu se joacă cu aeroterma.
- Copiii nu trebuie să cupleze, să poziționeze, să opereze, să regleze și să curățe aparatul sau să efectueze întreținerea.
- ATENȚIE - unele părți ale acestui produs pot deveni foarte fierbinți și pot provoca arsuri. O atenție specială trebuie acordată acolo unde sunt prezenți copiii și persoanele vulnerabile.
- Aeroterma nu este potrivită pentru utilizare în aer liber pe vreme umedă, în băi sau în alte medii umede sau cu multă apă.
- Vă rugăm să rețineți că aeroterma poate deveni foarte fierbinte și, prin urmare, trebuie așezată la o distanță sigură de obiectele inflamabile, cum ar fi mobilierul, perdelele și altele similare.
- Utilizați mânerul la deplasarea acestei aeroterme.
- Nu deplasați aeroterma dacă este fierbinte. Permiteți produsului să se răcească în mod corespunzător înainte de a-l manevra.
- Nu acoperiți aeroterma.
- Aeroterma nu trebuie amplasată direct sub o priză.
- Nu conectați aeroterma folosind un temporizator de pornire / oprire sau alte echipamente care îl pot porni automat.
- Aeroterma nu trebuie amplasată/utilizată în încăperi în care sunt utilizate sau depozitate lichide sau gaze inflamabile.
- Dacă se utilizează un cablu prelungitor, acesta trebuie să fie cât mai scurt posibil și să fie întotdeauna complet extins.
- Nu trebuie să conectați alte aparate la aceeași priză de alimentare cu aeroterma.
- Nu utilizați aeroterma în imediata apropiere a unei băi, a unui duș sau a unei piscine.



- În cazul în care cablul de alimentare este deteriorat, acesta trebuie înlocuit de către producător, de către agentul de service sau de către persoane calificate în mod similar, pentru a evita pericolele.
- Asigurați-vă că aeroterma este întotdeauna sub supraveghere și țineți copii și animalele departe de acesta.
- Nu amplasați/utilizați aeroterma pe vehicule în mișcare sau pe unele în locuri unde este posibil să vă împiedicați.
- Când aeroterma nu este folosită pentru o perioadă lungă de timp, deconectați-o. Trageți ștecherul direct, nu scoateți niciodată ștecherul trăgând cablul.
- Țineți aeroterma departe de perdele sau de locurile în care admisia aerului poate fi blocată cu ușurință.
- Cuplajul de alimentare este rezistent la apă atunci când nu este utilizat. Pentru a preveni eventuale electrocutări sau curenții de scurgere, nu folosiți niciodată aeroterma cu mâna umedă și nu folosiți aeroterma atunci când există apă pe cablul de alimentare.
- Nu aruncați aparatele electrice ca deșeuri municipale nesortate, apelați la unități de colectare separată. Contactați administrația locală pentru informații cu privire la sistemele de colectare disponibile. Dacă aparatul electric este aruncat în gropile de gunoi, substanțele periculoase pot pătrunde în apele subterane și pot ajunge în lanțul alimentar, afectându-vă sănătatea.



**Avertizare!** Nu utilizați aeroterma în spații mici unde există persoane care nu pot părăsi incinta pe cont propriu, decât dacă se asigură supraveghere constantă.



**Avertizare!** Pentru a reduce riscul de incendiu, mențineți materialele textile, perdelele sau alte materiale inflamabile la o distanță de minimum 1 m față de orificiul de evacuare a aerului.

### Instrucțiuni de siguranță privind alimentarea electrică

Atunci când utilizați aparate electrice respectați întotdeauna reglementările de siguranță aplicabile în țara dvs. pentru a reduce riscul de incendii, electrocutare și vătămări personale. Citiți următoarele instrucțiuni de siguranță și instrucțiunile de siguranță anexate.



**Verificați întotdeauna ca tensiunea de la alimentarea cu energie să corespundă tensiunii de pe plăcuța cu etichetă specificată.**

În cazul în care este necesară operarea sculei electrice într-o locație cu umiditate, folosiți un dispozitiv de curent rezidual (RCD) cu alimentare protejată. Utilizarea unui RCD reduce riscul de electrocutare.

## 2. INFORMAȚII CU PRIVIRE LA MAȘINĂ

### Domeniul de utilizare

Aeroterma electrică este destinată utilizării în spații interioare, necomerciale și casnice, pentru încălzirea temporară a spațiilor rezidențiale. Nu utilizați produsul în alte scopuri. Aeroterma poate fi utilizată în încăperi închise în poziție liberă pentru încălzirea camerei. Aeroterma poate fi utilizată complet montată și verticală pe o suprafață stabilă. Acesta încorporează un termostat și un decupaj termic auto-resetabil pentru a controla elementul de încălzire și, prin urmare, temperatura.

### SPECIFICAȚII TEHNICE

Nr. model	EH519AC, EH519AC_WHITE
Alimentare de la rețea	220-240 V ~ / 50 Hz
Putere nominală	1500 W
Setări	Fan / 1000 W / 1500 W
Interval de temperatură	15 - 40°C
Temporizator	1 - 12 hour
Capacitate de încălzire	15 m <sup>2</sup>
Clasa de protecție	Class II
Lungimea cablului	1.6 m
Greutate	2.1 kg

### DESCRIERE

Numerele din text se referă la diagramele de la paginile 2-3.

1. Aeroterma
2. Panou de comandă
  - A. Buton temperatură
  - B. Buton temporizator
  - C. Buton de oscilare
  - D. Buton pornire/oprire și buton de mod

3. Indicatoare
  - A. Indicator ventilator
  - B. Indicator de încălzire puternică
  - C. Indicator de încălzire slabă
  - D. Indicator temporizator
  - E. Indicator de oscilare
  - F. Indicator de putere
4. Afișaj
5. Comutator principal
6. Grilaj de evacuare a aerului
7. Orificiu de admisie aer
8. Comutator în caz de răsturnare
9. Telecomandă
  - A. Buton pornire/oprire
  - B. Buton de mod
  - C. Buton temporizator
  - D. Buton mărire temperatură
  - E. Buton scădere temperatură
  - F. Buton de oscilare

### 3. UTILIZARE



*Verificați dacă aparatul nu este deteriorat înainte de utilizare și utilizați-l numai în stare bună de funcționare.*

Când utilizați aeroterma pentru prima dată, este posibil să observați o ușoară emisie de fum. Acest lucru este destul de normal și se oprește după scurt timp. Elementul de încălzire este fabricat din oțel inoxidabil și a fost acoperit cu ulei de protecție la producție. Fumul este cauzat de uleiul rămas când este încălzit.

#### Amplasarea aerotermei

- Poziționați aeroterma pe o suprafață fermă și dreaptă.
- Păstrați o distanță minimă de 1 m între partea din față a carcasei și pereți și 30 cm de toate celelalte suprafețe ale carcasei. A se păstra ferit de umiditate.



*Avertizare! Asigurați-vă că așezați aeroterma într-un loc sigur, astfel încât să nu puteți împiedica cu ușurință de aparat și cablu. Asigurați-vă că așezați aeroterma într-un loc de unde nu poate cădea.*

#### Pornirea aerotermei electrice (Fig. A, B)

- Conectați cablul la priza de curent.
- Porniți comutatorul principal (5).
- Apăsăți buton pornire/oprire și Buton de mod

(2D) pentru a porni aeroterma. A fost salvată ultima setare. Apăsăți buton pornire/oprire și buton de mod (2D) pentru a comuta modul de încălzire.

- Ventilator: indicatorul de mod (4B) va indica un punct. Indicatorul luminos (3) se va aprinde în culoarea albastru. Butonul pornit/oprit și butonul de mod (2D) comută între pornit, modul ventilatorului, încălzire slabă, încălzire puternică și oprit.
- Ventilator: Indicatorul ventilatorului (3A) se va aprinde.
- Mod de încălzire slabă – 1000 W: se va aprinde indicatorul de încălzire slabă (3B). Pe afișajul (4) începe să clipească „01” de 4 ori, apoi ecranul revine la afișarea temperaturii ambientale actuale.
- Mod de încălzire puternică – 1500 W: se va aprinde indicatorul de încălzire puternică (3C). Pe afișajul (4) începe să clipească „02” de 4 ori, apoi ecranul revine la afișarea temperaturii ambientale actuale.

#### Reglarea temperaturii (Fig. B, C)

- În mod implicit, pe afișaj (4) este afișată temperatura ambientă.
- A fost salvată ultima setare. Temperatura poate fi setată între 15°C și 40°C.
- Setăți temperatura, după cum doriți, prin apăsarea butonului de creștere sau scădere a temperaturii (2A, 9D, 9E).
- Temperatura țintă va continua să clipească timp de 5 secunde după ultima apăsare a butonului, apoi afișajul va indica temperatura ambientă.

#### Temperatura constantă a camerei

Aeroterma pornește și se oprește automat pentru a menține constantă temperatura camerei. Odată ce temperatura ambientă din încăperea atinge temperatura țintă dorită, elementul de încălzire va fi în modul de așteptare. Odată ce temperatura ambientă începe să scadă, elementul de încălzire va fi pornit din nou.

#### Funcțiile panoului de comandă (Fig. B)

Aeroterma poate fi operată prin intermediul panoului de comandă (2). Funcțiile disponibile sunt:

- Buton temperatură (2A): Apăsăți pentru a mări temperatura ambientă dorită. Când este atinsă temperatura maximă de 40°C, repornirea va avea loc la 15°C.

- Buton temporizator (2B): Temporizatorul poate fi setat între 1 oră și 9 ore. Apăsăți butonul temporizatorului (2B) pentru a seta temporizatorul în intervale de 1 oră. Afișajul (4) va indica durata actuală setată. Indicatorul temporizatorului (3B) se va aprinde. Fără temporizator, nu există limită.
- Buton de oscilare (2C): Apăsăți butonul de oscilare pentru a activa oscilația aerotermei. Indicatorul de oscilare (3E) se va aprinde. Apăsăți din nou pentru a o dezactiva.
- Buton pornire/oprire și Buton de mod (2D): Comută între pornit, modul ventilatorului, încălzire slabă, încălzire puternică și oprit.
  - Ventilator: Indicatorul ventilatorului (3A) se va aprinde.
  - Mod de încălzire slabă – 1000 W: se va aprinde indicatorul de încălzire slabă (3B). Pe afișajul (4) începe să clipească „01” de 4 ori, apoi ecranul revine la afișarea temperaturii ambientale actuale.
  - Mod de încălzire puternică – 1500 W: se va aprinde indicatorul de încălzire puternică (3C). Pe afișajul (4) începe să clipească „02” de 4 ori, apoi ecranul revine la afișarea temperaturii ambientale actuale.

### Funcțiile telecomenzii (Fig. C)

Pe lângă operarea prin panoul de comandă menționat anterior, aeroterma poate fi operată și prin telecomandă (9). Funcțiile disponibile sunt:

- Buton de pornire/oprire (9A): Pornește și oprește aeroterma.
- Buton de mod (9B): Ciclurile dintre ventilator, încălzire slabă și puternică.
  - Ventilator: Indicatorul ventilatorului (3A) se va aprinde.
  - Mod de încălzire slabă – 1000 W: se va aprinde indicatorul de încălzire slabă (3B). Pe afișajul (4) începe să clipească „01” de 4 ori, apoi ecranul revine la afișarea temperaturii ambientale actuale.
  - Mod de încălzire puternică – 1500 W: se va aprinde indicatorul de încălzire puternică (3C). Pe afișajul (4) începe să clipească „02” de 4 ori, apoi ecranul revine la afișarea temperaturii ambientale actuale.
- Buton temporizator (9C): Temporizatorul poate fi setat între 1 oră și 9 ore. Apăsăți butonul temporizatorului (9C) pentru a seta temporizatorul în intervale de 1 oră. Afișajul (4) va indica

durata actuală setată. Indicatorul temporizatorului (3B) se va aprinde. Fără temporizator, nu există limită.

- Buton de oscilare (9F): Apăsăți butonul de oscilare pentru a activa oscilația aerotermei. Indicatorul de oscilare (3E) se va aprinde. Apăsăți din nou pentru a o dezactiva.
- Buton mărirea temperatură (9D): Apăsăți pentru a mări temperatura ambiantă dorită.
- Buton scăderea temperatură (9E): Apăsăți pentru a reduce temperatura ambiantă dorită.

### Comutator în caz de răsturnare (8)

Această aeroterma are o protecție mecanică împotriva răsturnării. Această protecție garantează faptul că sistemul va opri în mod automat aeroterma atunci când aceasta nu este poziționată pe o suprafață fermă și plană sau dacă aeroterma se răstoarnă. Dacă se întâmplă acest lucru, amplasați aeroterma pe o suprafață fermă și plană și reporniți-o.

### Control automat de siguranță la supraîncălzire

Această aerotermă este echipată cu termostat intern de siguranță care limitează căldura și circuitul de protecție la supraîncălzire. Când se atinge o temperatură potențială de supraîncălzire, sistemul va opri automat aeroterma. Dacă acest lucru se întâmplă, aeroterma își poate relua activitatea doar după resetare. Pentru resetarea aerotermei: Deconectați aeroterma și așteptați cel puțin 30 de minute pentru a se răci înainte de a o restarta.

### Oprirea aerotermei electrice (Fig. A)



*Lăsați aparatul să se răcească utilizând funcția de ventilație înainte de a opri.*

- Apăsăți butonul pornit/oprit și butonul de mod (2D) până când indicatorul ventilatorului (3A) începe să clipească.
- Modul ventilatorului va porni și va răci aeroterma timp de 30 secunde. Afișajul va indica durata.
- Opriți comutatorul principal (5).
- Scoateți ștecherul din priză de curent.

### Depozitarea aerotermei

- Lăsați întotdeauna aeroterma să se răcească complet înainte de a o depozita.
- Nu înfășurați niciodată cablul în jurul aerotermei



**Avertizare! Nu depozitați niciodată aparatul într-un mediu umed sau cu praf**

## 4. ÎNTREȚINERE



**Înainte de curățare și întreținere, opriți alimentarea electrică a aparatului și deconectați fișa cablului de alimentare de la priza de rețea.**

### Curățarea



**Lăsați aparatul să se răcească complet înainte de curățare.**

- Curățați aeroterma cu o lavetă (ușor umedă), o perie sau un aspirator.
- Pentru a proteja carcasa, nu stropiți apă pe aerotermă și nu folosiți niciodată un solvent precum benzină, acetat de isoamil, toluen etc. pentru curățarea aerotermei.
- Curățați orificiul de admisie și de evacuare a aerului (6, 7) în mod regulat cu ajutorul unui aspirator.
- Când depozitați aeroterma, lăsați-o să se răcească mai întâi și păstrați-o uscată.

### Remedierea problemelor

În cazul în care aeroterma nu funcționează bine, vă oferim câteva cauze posibile și soluțiile acestora.

Problemă	Cauză posibilă	Rezolvare
Aeroterma nu funcționează, chiar și atunci când este conectată la priză și termostatul este pornit.	Ștecherul este slăbit, conexiune defectuoasă	Scoateți ștecherul, verificați conexiunea ștecherului și prizei. Apoi conectați din nou.
	Nu există curent în priză	Introduceți ștecherul într-o priză adecvată
Elementul de încălzire se înroșește	Tensiunea de intrare este prea mare sau prea mică	Utilizați sursa de alimentare conform valorii indicate pe etichetă
	Grilajul de admisie a aerului este blocat	Păstrați aeroterma departe de articolele precum perdele, pungă de plastic, hârtie și alte lucruri care pot acoperi orificiul de admisie sau care pot fi ușor acoperite pe orificiul de admisie a aerului
	Comutatorul nu a fost pus la setarea de încălzire	Rotiți comutatorul la setarea de încălzire
Aparatul nu s-a încălzit, funcționează doar ventilatorul	Termostatul este acționat	Rotiți termostatul și ascultați dacă se aude sunetul de deschidere/închidere. Dacă nu se aude un clic și termostatul nu este deteriorat, aeroterma se va porni automat când aparatul s-a răcit
	Decuplarea automată s-a declanșat	Oprți aeroterma și verificați blocarea intrării sau a ieșirii. Deconectați ștecherul și așteptați cel puțin 10 minute până când sistemul de protecție se resetează înainte de a încerca să reporniți aeroterma.
Zgomot anormal	Aparatul nu este în poziție verticală	Puneți aeroterma pe o suprafață dreaptă

## MEDIU



**Aparatele electrice sau electronice deteriorate și/sau defecte trebuie colectate în locurile de reciclare corespunzătoare.**

### Numai pentru țările din CE

Nu aruncați echipamentele acționate electric împreună cu gunoiul menajer. Conform Indicației europene 2012/19/UE pentru echipamente electrice și electronice uzate și a implementării sale la nivel național, echipamentele acționate electric scoase din uz trebuie colectate separat și evacuate într-o manieră ecologică.

## GARANȚIE

Produsele VONROC sunt realizate la cele mai înalte standarde de calitate și sunt garantate în privința

materialelor și a manoperei pentru întreaga perioadă de utilizare în garanție, începând cu data achiziției. În cazul în care produsul prezintă defecțiuni în perioada de garanție din cauza materialului defect și/sau a manoperei, contactați direct VONROC.

Următoarele circumstanțe sunt excluse de la această garanție:

- Reparațiile sau modificările care realizate sau care s-au încercat a fi efectuate de centre de service neautorizate;
- Uzura în condiții normale de utilizare;
- Unealta care a fost abuzată, utilizată într-un mod neglijent sau întreținută în mod inadecvat;
- Folosirea unor piese de schimb neoriginale.

Aceasta acoperă garanția companiei, explicită sau implicită. Nu există alte garanții explicite sau implicite care să se extindă dincolo de cele indicate aici, incluzând garanțiile, vandabilitatea sau adecvarea pentru un anumit scop. În nicio situație, VONROC nu este responsabil pentru daunele incidentale sau consecvențiale. Reparațiile efectuate de reprezentant trebuie să fie limitate la reparațiile sau la înlocuirea unităților sau a pieselor neconforme.

**Produsul și manualul de utilizare pot suferi modificări. Specificațiile se pot modifica fără notificare prealabilă.**

Identificatorul modelului: EH519AC, EH519AC_WHITE					
Element	Simbol	Valoare	Unitate	Element	Unitate
<b>Putere termică</b>				<b>Tipul de putere termică, numai pentru încălzitoarele locale de stocare electrică (selectați unul)</b>	
Putere nominală de încălzire	Pnom	1,5	kW	Control manual al sarcinii de căldură, cu termostat integrat	Nu
Putere minimă de încălzire (orientativ)	Pmin	1,0	kW	Control manual al încălzirii cu feedback de temperatură în cameră și/sau exterior	Nu
Putere maximă continuă de încălzire	Pmax,c	1,5	kW	control electronic al căldurii cu feedback de temperatură ambiantă și/sau exterioară	Nu
<b>Consumul de energie electrică auxiliară</b>				eliminarea de căldură asistată de ventilator	
La putere nominală de încălzire	elmax	0,000	kW	<b>Tipul de eliminare a căldurii/controlul temperaturii camerei (selectați unul)</b>	
La putere minimă de încălzire	elmin	0,000	kW	Putere de încălzire într-o singură etapă și fără control al temperaturii camerei	Nu
În modul de așteptare	elSB	0,000	kW	Două sau mai multe trepte manuale, fără control al temperaturii camerei	Nu
				Cu termostat mecanic pentru controlul temperaturii camerei	Nu
				Cu control electronic al temperaturii camerei	Da
				Control electronic al temperaturii camerei plus cronometru de zi	Nu
				Control electronic al temperaturii camerei plus cronometru săptămânal	Nu
<b>Alte opțiuni de control (selecții multiple posibile)</b>					
				Controlul temperaturii camerei, cu detectarea prezenței	Nu
				Controlul temperaturii camerei, cu detectarea ferestrei deschise	Nu
				cu opțiune de control la distanță	Nu
				cu control adaptiv al pornirii	Nu
				cu limitare a timpului de lucru	Da
				cu senzor cu bec negru	Nu
Detalii de contact		VONROC • Lingenstraat 6 • 8028 PM • Zwolle • Olanda			

## 1. INSTRUÇÕES DE SEGURANÇA

Leia os avisos de segurança fornecidos, os avisos de segurança adicionais e as instruções. O não cumprimento dos avisos de segurança e das instruções pode resultar em choque eléctrico, incêndio e/ou ferimentos graves. Guarde os avisos de segurança e as instruções para referência futura.

Os seguintes símbolos são utilizados no manual do utilizador ou no produto:



Leia o manual do utilizador.



Indica o risco de ferimentos, morte ou danos na ferramenta se as instruções indicadas neste manual não forem seguidas.



Indica risco de choque eléctrico.



Máquina de classe II - Isolamento duplo - Não é necessário uma ficha com ligação à terra.



Importante! AVISO: Para evitar sobreaquecimento, não tape o aquecedor.



Não elimine o produto em recipientes não adequados.



O produto está em conformidade com as normas de segurança aplicáveis nas directivas europeias.

### AVISOS GERAIS DE SEGURANÇA

Este equipamento pode ser utilizado por crianças a partir dos 8 anos e por pessoas com capacidades físicas, sensoriais ou mentais reduzidas ou com falta de experiência e conhecimentos que tenham recebido instruções ou supervisão sobre a utilização segura do equipamento e compreendam os riscos envolvidos. As crianças não devem brincar com o equipamento.

A limpeza e a manutenção por parte do utilizador não devem ser efectuadas por crianças sem supervisão.

As crianças com menos de 3 anos devem ser mantidas afastadas, a menos que sejam supervisionadas de maneira contínua. As crianças com idades compreendidas entre os 3 e os 8 anos só devem ligar/desligar o equipamento se este tiver sido

colocado ou instalado na posição de funcionamento normal pretendida e se forem supervisionadas e tiverem recebido instruções sobre a utilização do equipamento em segurança e compreenderem os riscos associados. As crianças com idades compreendidas entre os 3 e os 8 anos não devem ligar, regular e limpar o equipamento ou efectuar a manutenção do utilizador.



**CUIDADO: algumas peças deste produto podem ficar muito quentes e causar queimaduras. Deve ser prestada especial atenção se houver crianças e pessoas vulneráveis.**

### AVISOS DE SEGURANÇA ADICIONAIS PARA TERMOVENTILADOR ELÉCTRICO

- As crianças não devem estar presentes, a menos que estejam sempre acompanhadas, para garantir que não brincam com a máquina.
- As crianças não devem ligar, colocar, utilizar, regular, limpar o equipamento ou efectuar tarefas de manutenção.
- CUIDADO: algumas peças deste produto podem ficar muito quentes e causar queimaduras. Deve ser prestada especial atenção se houver crianças e pessoas vulneráveis.
- O aquecedor não é adequado para utilização no exterior, em casas de banho ou noutros ambientes molhados ou húmidos.
- Tenha em atenção que o aquecedor pode ficar muito quente e, por conseguinte, deve ser colocado uma distância segura de objectos inflamáveis, como mobília, cortinas e objectos semelhantes.
- Utilize uma pega quando mover este aquecedor.
- Não mova o aquecedor quando estiver quente. Aguarde até o produto arrefecer e depois pode utilizá-lo.
- Não tape o aquecedor.
- O aquecedor não deve colocado imediatamente abaixo de uma tomada de parede.
- Não ligue o aquecedor com um temporizador de ligar/desligar ou outro equipamento que desligue o dispositivo automaticamente.
- O aquecedor não deve ser colocado/utilizado em salas onde sejam utilizados ou armazenados líquidos ou gases inflamáveis.
- Se utilizar uma extensão, deve ser a mais curta possível e deve estar sempre totalmente esticada.
- Não deve ligar outros equipamentos à tomada de parede do aquecedor.

- Não utilize o aquecedor perto de banheiras, chuveiros ou piscinas.
- Se o cabo de alimentação estiver danificado, deve ser substituído pelo fabricante, o respectivo técnico de assistência ou técnicos devidamente qualificados para evitar uma situação de perigo.
- O aquecedor deve ser sempre vigiado e as crianças e animais devem estar sempre afastados.
- Não coloque/utilize o aquecedor sobre veículos em movimento ou num local onde seja fácil tropeçar na máquina.
- Se o aquecedor não for utilizado durante muito tempo, desligue-o da tomada. Puxe pela ficha, nunca retire a ficha pelo cabo.
- Mantenha o aquecedor afastado de cortinas ou locais onde a ventoinha de entrada de ar possa ficar obstruída.
- O acoplador de energia é impermeável à água quando não estiver a ser utilizado. Para evitar um choque eléctrico ou corrente de fuga, nunca utilize o aquecedor com as mãos molhadas ou se o cabo de alimentação do aquecedor estiver molhado.
- Não elimine equipamentos eléctricos como resíduos municipais não triados, utilize instalações de recolha separadas. Contacte a sua autarquia para obter informações sobre os sistemas de recolha disponíveis. Se o equipamento eléctrico for eliminado em aterros ou lixeiras, pode haver uma fuga de substâncias perigosas para as águas subterrâneas e entrar em contacto com a cadeia alimentar, o que é prejudicial para a sua saúde e bem-estar.



*Aviso! Não utilize este aquecedor em salas pequenas quando estiverem ocupadas por pessoas sem capacidade para sair da sala sozinhas, a menos que seja fornecida uma supervisão constante.*



*Aviso! Para reduzir o risco de incêndio, mantenha os têxteis, cortinas ou qualquer material inflamável a uma distância mínima de 1 m da saída de ar.*

### Segurança eléctrica

Quando utilizar máquinas eléctricas, respeite sempre os regulamentos de segurança aplicáveis ao seu país para reduzir o risco de incêndio, choque eléctrico e ferimentos. Leia as seguintes instruções de segurança e as instruções de segurança fornecidas.



*Verifique sempre se a tensão da fonte de alimentação corresponde à tensão indicada na etiqueta da placa sinalética.*

Se não for possível evitar trabalhar com uma ferramenta eléctrica num local húmido, utilize uma fonte de alimentação protegida por um dispositivo de corrente residual (DCR). A utilização de um DCR reduz o risco de choque eléctrico.

## 2. INFORMAÇÕES SOBRE O PRODUTO

### Utilização pretendida

O aquecedor eléctrico é concebido para utilização doméstica, não comercial e doméstica para aquecer temporariamente apartamentos residenciais. Não utilize o produto para qualquer outra finalidade. O aquecedor pode ser utilizado em salas fechadas numa posição não fixada para aquecer divisões. O aquecedor só pode ser utilizado totalmente montado e colocado na vertical numa superfície estável. Inclui um termóstato e uma protecção térmica de reposição automática para controlar o elemento de aquecimento e, por conseguinte, temperatura.

### ESPECIFICAÇÕES TÉCNICAS

Modelo n.º	EH519AC, EH519AC_WHITE
Fonte de alimentação	220-240 V ~ / 50 Hz
Potência nominal	1500 W
Definições	Fan / 1000 W / 1500 W
Gama de temperaturas	15 - 40°C
Temporizador	1 - 12 hour
Capacidade de aquecimento	15 m²
Classe de protecção	Class II
Comprimento do cabo	1.6 m
Peso	2.1 kg

### DESCRIÇÃO

Os números indicados no texto dizem respeito aos diagramas nas páginas 2 e 3.

1. Aquecedor
2. Painel de controlo
  - A. Botão temperatura
  - B. Botão temporizador



- C. Botão de oscilação
- D. Botão de para ligar/desligar e botao de modo
- 3. Indicadores
  - A. Indicador da ventoinha
  - B. Indicador de aquecimento elevado
  - C. Indicador de aquecimento reduzido
  - D. Indicador do temporizador
  - E. Indicador de oscilação
  - F. Indicador de alimentação
- 4. Visor
- 5. Interruptor principal
- 6. Grelha de saída de ar
- 7. Entrada de ar
- 8. Interruptor de segurança anti-queda
- 9. Telecomando
  - A. Botão para ligar/desligar
  - B. Botão de modo
  - C. Botão do temporizador
  - D. Botão para aumentar a temperatura
  - E. Botão para reduzir a temperatura
  - F. Botão de oscilação

### 3. FUNCIONAMENTO



*Verifique se o dispositivo apresenta danos antes de utilizá-lo e verifique se está em boas condições de funcionamento.*

Quando utilizar o aquecedor pela primeira vez, pode reparar numa ligeira emissão de fumo. Isto é normal e pára após alguns minutos. O elemento de aquecimento é feito de aço inoxidável e foi revestido com uma camada de óleo de protecção para protegê-lo. O fumo é causado pelo óleo quando é aquecido.

#### Instalação do aquecedor eléctrico

- Coloque o aquecedor na vertical sobre uma superfície robusta e nivelada.
- Mantenha uma distância mínima de 1 m entre a parte da frente da divisão e as paredes e a 30 cm de todas as outras áreas de superfície da residência. Mantenha afastado de ambientes húmidos.



*Aviso! Certifique-se de que coloca o aquecedor num lugar seguro, para que não tropece facilmente na máquina e no cabo. Certifique-se de que coloca o aquecedor num local onde não caia.*

#### Ligar o aquecedor eléctrico (Fig A, B)

- Ligue o cabo à tomada de rede eléctrica.
- Ligue o interruptor principal (5).
- Carregue no botão para ligar/desligar e botao de modo(2D) para ligar o aquecedor. É guardada a última definição. Carregue no botão para ligar/desligar e botao de modo(2D) para alterar o modo de aquecimento. O botão de ligar/desligar e de modo (2D) alterna entre Ligado, Modo de ventoinha, Aquecimento reduzido, Aquecimento elevado e Desligado.
  - Ventoinha: O indicador da ventoinha (3A) acende-se.
  - Modo de aquecimento reduzido – 1000 W: o indicador de aquecimento reduzido (3B) acende-se. O visor (4) mostra “01” de maneira intermitente 4 vezes e depois o ecrã volta a mostrar a temperatura ambiente actual.
  - Modo de aquecimento elevado, 1500 W: o indicador de aquecimento elevado (3C) acende-se. O visor (4) mostra “02” de maneira intermitente 4 vezes e depois o ecrã volta a mostrar a temperatura ambiente actual.

#### Ajustar a temperatura (Fig. B, C)

- Por predefinição, a temperatura ambiente é apresentada no visor (4).
- É guardada a última definição. A temperatura pode ser definida entre 15 °C e 40 °C.
- Regule a temperatura conforme pretendido com o botão para aumentar ou reduzir a temperatura (2A, 9D, 9E).
- A temperatura pretendida continua a piscar durante 5 segundos depois do último botão ser premido. Em seguida, o visor mostra a temperatura ambiente.

#### Temperatura ambiente constante

O aquecedor é iniciado e pára automaticamente para manter a temperatura ambiente constante. Quando a temperatura ambiente na sala atinge a temperatura pretendida, o elemento de aquecimento é apresentado no modo de espera. Quando a temperatura ambiente começa a diminuir, o elemento de aquecimento é ligado novamente.

#### Funções do painel de controlo (Fig. B)

O aquecedor pode ser controlado com o painel de controlo (2). As funções disponíveis são:

- Botao de temperatura (2A): Carregue para aumentar a temperatura ambiente pretendida. Quando é atingido um valor máximo de 40 °C,

- começa novamente a 15 °C.
- Botao do temporizador (2B): O temporizador pode ser definido entre 1 e 9 horas. Carregue no botao do temporizador (2B) para definir o temporizador com intervalos de 1 hora. O visor (4) mostra a duração definida actualmente. O indicador do temporizador (3B) acende-se. Sem um temporizador não há um limite.
  - Botao de oscilação (2C): Carregue no botao de oscilação para que o aquecedor comece a oscilar. O indicador de oscilação (3E) acende-se. Carregue de novo no aquecedor para desactivá-lo.
  - O botão de ligar/desligar e de modo (2D) alterna entre Ligado, Modo de ventoinha, Aquecimento reduzido, Aquecimento elevado e Desligado.
    - Ventoinha: O indicador da ventoinha (3A) acende-se.
    - Modo de aquecimento reduzido – 1000 W: o indicador de aquecimento reduzido (3B) acende-se. O visor (4) mostra "01" de maneira intermitente 4 vezes e depois o ecrã volta a mostrar a temperatura ambiente actual.
    - Modo de aquecimento elevado, 1500 W: o indicador de aquecimento elevado (3C) acende-se. O visor (4) mostra "02" de maneira intermitente 4 vezes e depois o ecrã volta a mostrar a temperatura ambiente actual.

### Funções do telecomando (Fig. F)

Além das operações do painel de controlo referidas anteriormente, o aquecedor pode ser controlado também através do telecomando (9). As funções disponíveis são:

- Botao para ligar/desligar (9A): Liga e desliga o aquecedor.
- Botao de modo (9B): Alterna entre ventoinha, aquecimento reduzido e elevado.
  - Ventoinha: O indicador da ventoinha (3A) acende-se.
  - Modo de aquecimento reduzido – 1000 W: o indicador de aquecimento reduzido (3B) acende-se. O visor (4) mostra "01" de maneira intermitente 4 vezes e depois o ecrã volta a mostrar a temperatura ambiente actual.
  - Modo de aquecimento elevado, 1500 W: o indicador de aquecimento elevado (3C) acende-se. O visor (4) mostra "02" de maneira intermitente 4 vezes e depois o ecrã volta a mostrar a temperatura ambiente actual.
- Botao do temporizador (9C): O temporizador pode ser definido entre 1 e 9 horas. Carregue

no botao do temporizador (9C) para definir o temporizador com intervalos de 1 hora. O visor (4) mostra a duração definida actualmente. O indicador do temporizador (3B) acende-se. Sem um temporizador não há um limite.

- Botao de oscilação (9F): Carregue no botao de oscilação para que o aquecedor comece a oscilar. O indicador de oscilação (3E) acende-se. Carregue de novo no aquecedor para desactivá-lo.
- Botao para aumentar a temperatura (9D): Carregue para aumentar a temperatura ambiente pretendida.
- Botao para reduzir a temperatura (9E): Carregue para reduzir a temperatura ambiente pretendida.

### Interruptor de segurança anti-queda (8)

Este aquecedor tem uma protecção de segurança anti-queda mecânica. Esta protecção garante que quando o aquecedor não é colocado na vertical numa superfície firme e nivelada ou se o aquecedor cair, o sistema desliga automaticamente o aquecedor. Se isto ocorrer, coloque o aquecedor numa superfície firme e nivelada e ligue novamente o aquecedor.

### Controlo automático de sobreaquecimento

Este aquecedor está equipado com um termostato interno de limitação de calor de segurança e um circuito de protecção contra sobreaquecimento. Quando é atingida uma temperatura de sobreaquecimento, o sistema desliga automaticamente o aquecedor.

Se isto ocorrer, o aquecedor só pode continuar a ser utilizado depois de repô-la. Para repor o aquecedor: Desligue o aquecedor e aguarde pelo menos 30 minutos até arrefecer e depois reinicie o aquecedor.

### Parar o aquecedor eléctrico (Fig. A)



*Antes de desligar a máquina, utilize a função de ventilação para arrefecê-la.*

- Carregue no botão para ligar/desligar e de modo (2D) até o indicador de ventoinha (3A) começar a piscar.
- O modo de ventoinha é iniciado e arrefece o aquecedor durante 30 segundos. O visor mostra a duração.
- Desligue o interruptor principal (5).
- Retire a ficha da tomada de rede eléctrica.

### Armazenar o aquecedor eléctrico

- Guarde até o aquecedor arrefecer por completo antes de armazenar a máquina.
- Nunca enrolar o cabo à volta do aquecedor



*Aviso! Não armazene a máquina num ambiente húmido ou poeirento*

## 4. MANUTENÇÃO



*Antes de efectuar a limpeza e a manutenção, desligue sempre a máquina e retire a ficha de alimentação da tomada de corrente.*

### Limpeza



*Antes de proceder à limpeza, aguarde até a máquina arrefecer por completo.*

- Limpe o aquecedor com um pano (ligeiramente humedecido), uma escova ou um aspirador.
- Para proteger a caixa, não salpique água em cima do aquecedor e nunca utilize solventes como gasolina, acetato de isoamilo, tolueno, etc. para limpar o aquecedor.
- Limpe a entrada e a saída do ar (6, 7) com frequência com um aspirador.
- Antes de armazenar o aquecedor, deixe-o arrefecer e mantenha-o seco.

### Resolução de problemas

No caso do aquecedor eléctrico não funcionar correctamente, fornecemos algumas causas possíveis e as respectivas soluções.

Problema	Causa possível	Tratamento
O aquecedor não funciona, mesmo depois de ligar o aquecedor, o interruptor e o termóstato.	A ficha está solta, a ligação não está correcta	Retire a ficha, verifique a ligação da ficha e da tomada. Em seguida, volte a ligá-la.
	Não há corrente na tomada eléctrica	Coloque a ficha numa tomada adequada
O elemento de aquecimento está a brilhar	A tensão de entrada é demasiado elevada ou demasiada baixa	Utilize a fonte de alimentação de acordo com a classificação indicada na etiqueta
	A grelha de entrada de ar está obstruída	Mantenha o aquecedor afastado de objectos como cortinas, sacos de plástico, papel e outros objectos que obstruam a entrada ou possam obstruir facilmente a entrada de ar
O equipamento não aquece, só funciona o ventilador	O interruptor não foi colocado na posição de aquecimento	Rode o interruptor para a definição de aquecimento
	O termóstato está a funcionar	Rode o termóstato e verifique se há algum ruído de abertura/fecho. Se não houver um som de clique e o termóstato não estiver danificado, o aquecedor é ligado automaticamente quando o equipamento arrefecer
	A protecção de reposição automática é activada	Desligue o aquecedor e inspecione se existe um bloqueio na entrada ou saída. Desligue a ficha e aguarde pelo menos 10 minutos até o sistema de protecção ser reposta antes de voltar a tentar reiniciar o aquecedor.
Ruído anormal	Não é possível colocar o equipamento na vertical	Coloque o aquecedor numa superfície nivelada

## AMBIENTE



*Os equipamentos eléctricos ou electrónicos defeituosos e/ou eliminados devem ser recolhidos em locais de reciclagem adequados.*

### Apenas para os países da CE

Não elimine as ferramentas eléctricas em conjunto com os resíduos domésticos. De acordo com a directiva europeia 2012/19/UE sobre resíduos de equipamentos eléctricos e electrónicos e a respectiva implementação na legislação nacional, as ferramentas eléctricas que já não sejam utilizadas devem ser recolhidas em separado e eliminadas de maneira ecológica.

## GARANTIA

Os produtos da VONROC são desenvolvidos de acordo com os padrões de qualidade mais elevados e não apresentam quaisquer defeitos em termos de materiais e mão-de-obra em relação ao período estipulado por lei, cujo início é a partir da data de compra original. Se o produto apresentar qualquer falha durante este período devido a qualquer defeito no material e/ou de mão-de-obra, contacte a VONROC directamente.

As seguintes circunstâncias estão excluídas desta garantia:

- Se forem efectuadas ou tentadas quaisquer reparações e/ou alterações na máquina por centros de assistência não autorizados;
- Desgaste normal;
- Se a ferramenta foi utilizada de maneira abusiva, indevida ou a manutenção for efectuada de maneira incorrecta;
- Se forem utilizadas peças sobresselentes não originais.

Isto constitui a única garantia feita pela empresa, de maneira expressa ou implícita. Não existem quaisquer outras garantias expressas ou implícitas que se prolonguem, incluindo as garantias implícitas de comercialização e adequação para fins específicos. A VONROC não será, em nenhuma circunstância, responsável por danos incidentais ou indirectos. Os fornecedores devem estar limitados a reparar ou substituir as unidades ou peças que não estejam em conformidade.

**O equipamento e o manual do utilizador estão sujeitos a alterações sem aviso prévio. As especificações podem ser alteradas sem aviso prévio.**

Identificador(es) de modelo: EH519AC, EH519AC_WHITE					
Item	Símbolo	Valor	Unidade	Item	Unidade
<b>Saída de calor</b>				<b>Tipo de entrada de calor, apenas para aquecedores eléctricos de armazenamento local (selecione um)</b>	
Saída de calor nominal	Pnom	1,5	kW	controlo de carga calorífica manual, com termóstato integrado	Não
Saída mínima de calor (indicativa)	Pmin	1,0	kW	controlo de carga calorífica manual com informações sobre temperatura ambiente e/ou exterior	Não
Saída máxima de calor contínuo	Pmax,c	1,5	kW	controlo de carga calorífica electrónica com informações sobre temperatura ambiente e/ou exterior	Não
<b>Consumo de electricidade auxiliar</b>				saída de calor com ventoinha integrada	Não
À saída de calor nominal	elmax	0,000	kW	<b>Tipo de saída de calor/controlo da temperatura ambiente (selecione um)</b>	
À saída de calor mínima	elmin	0,000	kW	saída de calor monofásica e sem controlo da temperatura ambiente	Não
No modo de espera	eISB	0,000	kW	Duas ou mais fases manuais, sem controlo da temperatura ambiente	Não
				com controlo mecânico da temperatura ambiente do termóstato	Não
				com controlo electrónico da temperatura ambiente	Sim
				controlo electrónico da temperatura ambiente, mais temporizador diário	Não
				controlo electrónico da temperatura ambiente, mais temporizador semanal	Não
				<b>Outras opções de controlo (várias selecções possíveis)</b>	
				controlo da temperatura ambiente, com detecção de presença	Não
				controlo da temperatura ambiente, com detecção de janela aberta	Não
				com opção de controlo da distância	Não
				com controlo de arranque adaptativo	Não
				com limitação de tempo de funcionamento	Sim
				com sensor de lâmpada preta	Não
Dados de contacto	VONROC • Lingenstraat 6 • 8028 PM • Zwolle • Países Baixos				

## 1. BIZTONSÁGI UTASÍTÁSOK

Olvassa el az összes mellékelt biztonsági figyelmeztetést. A figyelmeztetések és utasítások be nem tartása áramütéshez, tűz keletkezéséhez vagy akár súlyos személyi sérüléshez vezethet. Őrizze meg a biztonsági figyelmeztetéseket és utasításokat későbbre is.

A használati útmutatóban és a terméken a következő jelölésekkel találkozhat:



*Olvassa el a használati útmutatót.*



*Jelzi a személyi sérülések, az életveszély vagy a szerszám károsodásának veszélyét.*



*Áramütés veszélyét jelzi.*



*II érintésvédelmi osztályú gép - Kettős szigetelés: földvezeték nélküli csatlakozó aljzatról is használható.*



*Fontos! FIGYELMEZTETÉS: A túlmelegedés elkerülésére ne takarja le a hősugárzót.*



*A terméket hulladékként ne tegye arra nem alkalmas konténerbe.*



*A termék megfelel az európai irányelvek rá vonatkozó biztonsági követelményeinek.*

### ÁLTALÁNOS BIZTONSÁGI FIGYELMEZTETÉSEK

A készüléket 8 éves vagy annál idősebb gyermekek, valamint csökkent fizikai, érzékszervi vagy mentális képességekkel rendelkező személyek, vagy megfelelő tapasztalattal és tudással nem rendelkező személyek csak felügyelet mellett használhatják, ill. ha megfelelő utasításokat kaptak a készülék biztonságos használatához és megértették a kapcsolódó veszélyeket. A készülék nem gyermekek kezébe való játékszer.

A tisztítását és karbantartását gyermek felügyelet nélkül nem végezheti.

A 3 évnél fiatalabb gyerekektől távol kell tartani; vagy őket folyamatosan felügyelni kell. A 3 éves vagy idősebb, de 8 évnél fiatalabb gyerekek a készüléket csak akkor kapcsolhatják be és ki, ha azt megfelelően helyezték el, telepítették és azt rendes üzemi pozícióban használnák és megfelelő utasítá-

sokat kaptak a készülék biztonságos használatához és megértették a kapcsolódó veszélyeket. A 3 éves vagy idősebb, de 8 évnél fiatalabb gyerekek a készüléket nem csatlakoztathatják elektromos aljzathoz és a készüléket nem szabályozhatják, tisztíthatják és nem végezhetnek rajta felhasználói karbantartást.



**VIGYÁZAT - a termék bizonyos részei forrók lehetnek és égési sérülést okozhatnak. Különösen legyen óvatos, figyelmes, ha gyerekek vagy más sérülékeny emberek találhatók a közelben.**

### TOVÁBBI BIZTONSÁGI UTASÍTÁSOK AZ ELEKTROMOS HŐSUGÁRZÓHOZ

- A gyermekek tartózkodjanak távol a hősugárzótól, vagy legyenek folyamatos felügyelet alatt, hogy ne játszhassanak a hősugárzóval.
- Gyermekek számára tilos bedugni, elhelyezni, működtetni, szabályozni, tisztítani és karbantartani a berendezést.
- VIGYÁZAT - a termék bizonyos részei forrók lehetnek és égési sérülést okozhatnak. Különösen legyen óvatos, figyelmes, ha gyerekek vagy más sérülékeny emberek találhatók a közelben.
- A hősugárzó nem alkalmas kültéri, fürdőszobai vagy egyéb vizes, nedves környezetben vagy nedves, párás időben történő alkalmazásra.
- Vegye figyelembe, hogy a hősugárzó nagyon fel tud forrósodni, ezért biztonságos távolságban kell elhelyezni a gyúlékony tárgyaktól, például a bútortáztól vagy függönytől.
- A hősugárzó mozgatásához használja a fogantyút.
- Ne mozgassa a hősugárzót, amikor az működésben van. Csak akkor mozgassa a terméket, ha az már megfelelően lehűlt.
- Ne takarja le a hősugárzót.
- A hősugárzót közvetlenül a fali aljzat alatt kell elhelyezni.
- Ne csatlakoztassa a hősugárzót be-/kikapcsoló időzítőhöz vagy egyéb olyan berendezéshez, amely automatikusan be tudja kapcsolni a berendezést.
- A hősugárzót tilos olyan helyiségbe tenni / olyan helyiségben használni, ahol gyúlékony folyadékokat vagy gázokat használnak vagy tárolnak.
- Ha hosszabbító kábelt használ, akkor az legyen a lehető legrövidebb, és mindig teljesen tekerje le.

- Tilos ugyanabba a fali aljzatba ezen a hőszugárzón kívül másik berendezést is bedugni.
- Ne használja a hőszugárzót fürdőszoba, zuhanyzó vagy medence közvetlen közelében.
- Ha a hálózati csatlakozódugó megsérült, a veszélyhelyzetek elkerülése érdekében ki kell cseréltetni a gyártóval, megbízott szervizzel vagy más, hasonlóan képzett szakemberrel.
- Gondoskodjon arról, hogy a hőszugárzó mindig felügyelet alatt legyen, tartsa távol tőle a gyerekeket és az állatokat.
- Ne helyezze/használja a hőszugárzót mozgó járműveken, vagy olyan helyeken, ahol könnyen bele lehet botlani.
- Ha a hőszugárzót hosszabb ideig nem fogja használni, húzza ki a hálózati aljzattól. Húzza ki egyenesen a dugót, soha ne a vezetéknel fogva húzza ki az aljzattól.
- Tartsa távol a hőszugárzót olyan helyektől, ahol a légbeszívó nyílás könnyen eltömődhet.
- A tápcsatlakozó használaton kívül vízálló. Egy esetleges áramütés vagy áramszivárgás megakadályozása érdekében soha ne használja vizes kézzel a hőszugárzót, és ne is működtesse, ha vizes a tápellátó vezeték.
- Ne dobjon elektromos berendezést a kommunális hulladék közé, vegye igénybe a szelektív gyűjtési lehetőségeket. A rendelkezésre álló gyűjtési rendszerekről érdeklődjön a helyi önkormányzatnál. Amennyiben az elektromos berendezés személtlerakóba kerül, akkor veszélyes anyagok kerülhetnek a talajvízbe és így a táplálékláncba, károsítva az Ön egészségét és jóllétét.



*Figyelmeztetés! Ezt a hőszugárzót nem szabad olyan helyiségben használni, amelyben olyan személyek tartózkodnak, akik önmaguktól nem tudnak kimenni a helyiségből, kivéve, ha valaki folyamatosan felügyeli a helyiséget.*



*Figyelmeztetés! A tűzveszély csökkentése érdekében a textilákat, a függönyöket és más gyúlékony anyagokat legalább 1 m távolságban tartsa a levegőkimeneti nyílástól.*

### Elektromos biztonság

Elektromos gépek használata esetén mindig tartsa be az Ön országában érvényes biztonsági előírásokat a tűz, az áramütés és a személyi sérülés veszélyének

csökkentése érdekében. Olvassa el a következő biztonsági utasításokat, valamint a mellékelt biztonsági utasításokat is.



*Mindig ellenőrizze, hogy a tápellátás megfelel-e az adattáblán feltüntetett feszültségnek.*

Ha a szerszámgépet mindenképpen nedves környezetben kell használni, akkor használjon áramvédő kapcsolóval ellátott tápforrást. Az áramvédő kapcsolóval ellátott tápforrás használatával mérsékelhető az elektromos áramütés veszélye.

## 2. TERMÉKINFORMÁCIÓK

### Rendeltetésyszerű használat

Az elektromos hőszugárzót beltéri, nem kereskedelmi, háztartási használatra tervezték, hogy ideiglenes jelleggel befűtse a lakóhelyiségeket. A terméket nem szabad ettől eltérő célra használni. Szobamelegítésre a hőszugárzót zárt helyiségben szabadon álló pozícióban lehet használni. A hőszugárzót teljesen felszerelt és függőlegesen álló helyzetben lehet használni, stabil felületen elhelyezve. Magába foglal egy termosztátot és egy önvisztaállító termikus kioldót, amely a fűtőelemeket, így a hőmérsékletet szabályozza.

### MŰSZAKI ADATOK

Modellazonosító	EH519AC, EH519AC_WHITE
Tápellátás	220-240 V ~ / 50 Hz
Névleges teljesítmény	1500 W
Beállítás	Fan / 1000 W / 1500 W
Hőmérséklettartomány	15 - 40°C
Időzítő	1 - 12 hour
Fűtőkapacitás	15 m <sup>2</sup>
Védelmi osztály	Class II
Kábelhossz	1.6 m
Súly	2.1 kg

## LEÍRÁS

A szövegbeli számok a 2–3. oldal képeire utalnak.

1. Hősugárzó
  2. Vezérlőpanel
    - A. Hőmérséklet-szabályozó gomb
    - B. Időzítő gomb
    - C. Forgási gomb
    - D. Főkapcsoló gomb és üzemmódválasztó gomb
3. Jelzőlámpák
  - A. Ventilátor jelzőlámpája
  - B. Erős fűtés jelzőlámpája
  - C. Enyhe fűtés jelzőlámpája
  - D. Időzítőjelző
  - E. Forgásjelző
  - F. Tápfeszültségjelző
4. Kijelző
5. Főkapcsoló
6. Légekimeneti rács
7. Levegőbemenet
8. Felborulásvédelmi kapcsoló
9. Távvezérlő
  - A. Főkapcsoló gomb
  - B. Üzemmódválasztó gomb
  - C. Időzítő gomb
  - D. Hőmérséklet-növelési gomb
  - E. Hőmérséklet-csökkentési gomb
  - F. Forgási gomb

## 3. HASZNÁLAT



*A használat előtt ellenőrizze a berendezés sérülésmentes állapotát. Kizárólag jó állapotban lévő berendezést használjon.*

Amikor első alkalommal használja a hősugárzót, enyhe füstszagra lehet figyelmes. Ez teljesen normális jelenség és rövid idő múltán abba is marad. A fűtőelemeket rozsdamentes acélból készítettük és a gyártás során védőolajjal vontuk be. A füstöt a rajta lévő maradék olaj képezi melegedéskor.

### Az elektromos hősugárzó elhelyezése

- A hősugárzót szilárd, vízszintes felületen helyezze el.
- Hagyjon legalább 1 méteres távolságot a burkolat eleje és a falak között, valamint 30 centiméteres távolságot a többi burkolati felszíntől. Ne használja nedves környezetben.



*Figyelmeztetés! Győződjön meg arról, hogy a hősugárzót biztonságos helyre tette, és nem lehet sem a berendezésben, sem a kábelben megbotlani. Győződjön meg arról, hogy a hősugárzó nem tud leesni.*

### Az elektromos hősugárzó beindítása (A, B ábra)

- Csatlakoztassa a kábelt az elektromos aljzathoz.
- Kapcsolja be (ON állásba) a főkapcsolót (5).
- Nyomja meg a főkapcsoló gomb és üzemmódválasztó gomb (2D) a hősugárzó bekapcsolásához. A rendszer elmentette az utolsó beállítást. Nyomja meg az főkapcsoló gomb és üzemmódválasztó gomb (2D), ha szeretne átváltani másik fűtési módra. A BE/KI és a mód (2D) gomb a bekapcsolt, a ventilátor üzemmód, az enyhe fűtés, az erős fűtés és a kikapcsolás között vált.
  - Ventilátor: A ventilátor jelzőlámpája (3A) világítani kezd.
  - Enyhe fűtési mód – 1000 W: az enyhe fűtés jelzőlámpája (3B) világítani kezd. A kijelzőn (4) 4-szer felvillan a „01”, majd a képernyő visszavált az aktuális környezeti hőmérséklet megjelenítésére.
  - Erős fűtési mód – 1500 W: az erős fűtés jelzőlámpája (3C) világítani kezd. A kijelzőn (4) 4-szer felvillan a „02”, majd a képernyő visszavált az aktuális környezeti hőmérséklet megjelenítésére.

### A hőmérséklet beállítása (B ábra)

- Alapértelmezetten a környezeti hőmérséklet értéke jelenik meg a kijelzőn (4).
- A rendszer elmentette az utolsó beállítást. A hőmérséklet 15 °C és 40 °C közötti értékre állítható.
- Állítsa be a kívánt hőmérsékletet a hőmérséklet növelési vagy csökkentési gombjának (2A, 9D, 9E) a megnyomásával.
- A célhőmérséklet az utolsó gombnyomást követően 5 másodpercig villogni fog, majd a környezeti hőmérsékletet mutatja.

### Állandó szobahőmérséklet

A hősugárzó automatikusan elindul és kikapcsol, hogy a helyiséget állandó hőmérsékleten tartsa. Ha a helyiség környezeti hője eléri a kívánt célhőmérsékletet, akkor a hősugárzó készenléti módban lesz. Mihelyt a környezeti hőmérséklet csökkenni kezd, a fűtőpanel ismét bekapcsol.



### A vezérlőpanel funkciói (B ábra)

A hőszugárzó a vezérlőpanellel (2) működtethető. A rendelkezésre álló funkciók az alábbiak:

- Hőmérséklet-szabályozó gomb (2A): Nyomja meg a környezeti hőmérséklet kívánt értékre növeléséhez. A maximális 40 °C elérése után 15 °C-ról újraindul.
- Időzítő gomb (2B): Az időzítő 1 óra és 12 óra közötti értékre állítható. Az időzítő gomb (2B) megnyomásával 1 órás időközökkel beállíthatja az időzítőt. A kijelzőn (4) 5 másodpercig villog a jelenleg beállított időtartam. Az időzítő jelzőlámpája (3B) világítani kezd. Az időzítő nélkül nincs korlátozás.
- Forgási gomb (2C): A forgási gomb megnyomásával aktiválhatja a hőszugárzó forgási funkcióját. A forgási mód jelzőlámpája (3E) világítani kezd. A kikapcsoláshoz nyomja meg még egyszer.
- Főkapcsoló gomb és üzemmódválasztó gomb (2D): A BE/KI és a mód (2D) gomb a bekapcsolás, a ventilátor üzemmód, az enyhe fűtés, az erős fűtés és a kikapcsolás között vált.
  - Ventilátor: A ventilátor jelzőlámpája (3A) világítani kezd.
  - Enyhe fűtési mód – 1000 W: az enyhe fűtés jelzőlámpája (3B) világítani kezd. A kijelzőn (4) 4-szer felvillan a „01”, majd a képernyő visszavált az aktuális környezeti hőmérséklet megjelenítésére.
  - Erős fűtési mód – 1500 W: az erős fűtés jelzőlámpája (3C) világítani kezd. A kijelzőn (4) 4-szer felvillan a „02”, majd a képernyő visszavált az aktuális környezeti hőmérséklet megjelenítésére.

### A távvezérlő funkciói (C ábra)

Az említett vezérlőpaneles működtetés mellett a hőszugárzó a távvezérlővel (9) is használható. A rendelkezésre álló funkciók az alábbiak:

- Főkapcsoló gomb (9A): Bekapcsolja és kikapcsolja a hőszugárzót.
- Üzemmódválasztó gomb (9B): Átvált a ventilátoros mód, az enyhe fűtés és az erős fűtés között.
  - Ventilátor: A ventilátor jelzőlámpája (3A) világítani kezd.
  - Enyhe fűtési mód – 1000 W: az enyhe fűtés jelzőlámpája (3B) világítani kezd. A kijelzőn (4) 4-szer felvillan a „01”, majd a képernyő visszavált az aktuális környezeti hőmérséklet megjelenítésére.
  - Erős fűtési mód – 1500 W: az erős fűtés

jelzőlámpája (3C) világítani kezd. A kijelzőn (4) 4-szer felvillan a „02”, majd a képernyő visszavált az aktuális környezeti hőmérséklet megjelenítésére.

- Időzítő gomb (9C): Az időzítő 1 óra és 12 óra közötti értékre állítható. Az időzítő gomb (9C) megnyomásával 1 órás időközökkel beállíthatja az időzítőt. A kijelzőn (4) 5 másodpercig villog a jelenleg beállított időtartam. Az időzítő jelzőlámpája (3B) világítani kezd. Az időzítő nélkül nincs korlátozás.
- Forgási gomb (9F): A forgási gomb megnyomásával aktiválhatja a hőszugárzó forgási funkcióját. A forgási mód jelzőlámpája (3E) világítani kezd. A kikapcsoláshoz nyomja meg még egyszer.
- Hőmérséklet-növelési gomb (9D): Nyomja meg a környezeti hőmérséklet kívánt értékre növeléséhez.
- Hőmérséklet-csökkentési gomb (9E): Nyomja meg a környezeti hőmérséklet kívánt értékre csökkentéséhez.

### Felborulásvédelmi kapcsoló (8)

A hőszugárzó mechanikus felborulásvédelemmel rendelkezik. Ez a funkció automatikusan kikapcsolja a hőszugárzót, amikor a hőszugárzót nem álló helyzetben helyezik el vagy nem vízszintes és stabil felületre helyezik el, vagy ha a hőszugárzó felborul. Ilyen esetben tegye a hőszugárzót egy stabil és vízszintes felületre, majd kapcsolja be ismét a hőszugárzót.

### Automata túlmelegedés elleni védelem

A hőszugárzó belső biztonsági termosztáttal és túlmelegedés ellen védő áramkörrel van ellátva. A potenciális túlmelegedési hőmérséklet elérésekor a rendszer automatikusan kikapcsolja a hőszugárzót. Ilyen esetben a hőszugárzó csak az alaphelyzetbe történő visszaállítás után tud továbbműködni. A hőszugárzó alaphelyzetbe történő visszaállításához: Húzza ki a hőszugárzó tápdugóját az elektromos aljzatból, majd adjon legalább 30 percet a hőszugárzónak lehűlni, mielőtt újból bekapcsolja.

### Az elektromos hőszugárzó leállítása („A” ábra)



*A szellőztetési funkcióval először hűtse le a gépet, csak ezt követően kapcsolja ki.*

- Nyomja meg egyszerre a BE/KI és a mód gombot (2D), míg a ventilátor jelzőfénye (3A) villogni nem kezd.
- Elindul a ventilátor mód, és a ventilátor 30 másodpercig hűti a hőszugárzót. A kijelzőn megjelenik az időtartam.
- Kapcsolja be a tápkapcsolót (5).
- Húzza ki a dugót az elektromos aljzatból.

#### Az elektromos hőszugárzó tárolása

- Mindig hagyja teljesen lehűlni a hőszugárzót, mielőtt eltárolná azt.
- Soha ne tekerje a kábelt a hőszugárzó köré



*Figyelem! Soha ne tárolja a berendezést vizes vagy nedves környezetben*

## 4. KARBANTARTÁS



*Tisztítás és karbantartás előtt mindig kapcsolja ki a gépet és húzza ki a tápdugót az elektromos aljzatból.*

#### Tisztítás



*Tisztítás előtt minden esetben hagyja teljesen kihűlni a berendezést.*

- Tisztítsa le a hőszugárzót egy (enyhén nedves) törülközővel, egy kefével, vagy porszívóval.
- A burkolat védelme érdekében ne fröcsköljön vizet a hőszugárzóra, és soha ne használjon a tisztításakor benzint, izoamil-acetátot, toluolt vagy egyéb oldószert.
- Rendszeresen tisztítsa meg a levegőbemeneti és -kimeneti nyílásokat (6, 7) porszívóval.
- Eltárolás esetén először hagyja lehűlni a hőszugárzót, majd gondoskodjon róla, hogy a tárolás során száraz maradjon.

#### Hibaelhárítás

Arra az esetre, ha az elektromos hőszugárzó nem működik jól, az alábbiakban felsorolunk néhány lehetséges okot és azok megoldásait.

Probléma	Lehetséges ok	Megoldás
A hőszugárzó nem működik, még akkor sem, ha be van dugva és a kapcsoló és a termosztát be van kapcsolva.	Laza dugó, rossz csatlakozás  Nincs áram a hálózati aljzatban	Húzza ki a dugót, ellenőrizze a dugó és az aljzat csatlakozását. Majd csatlakoztassa újra.  Dugja be a dugót megfelelő csatlakozálatba
A hőszugárzó izzik	A bemeneti feszültség túl magas vagy túl alacsony	Címke szerinti tápellátást használjon
	A légbeszívó rács eldugult	A hőszugárzót tartsa távol függönytől, műanyag zsáktól, papírtól és minden olyan dologtól, amely könnyen eltakarja vagy eltakarhatja a légbemenetet
A berendezés nem melegszik fel, csak a ventilátor működik	A kapcsolót nem kapcsolta fűtésre	Állítsa a kapcsolót fűtésre
	A termosztát működött	Forgassa el a termosztátot és figyeljen, hall-e kinyílásra/bezárásra utaló hangot. Ha nem hall kattánást és a termosztát nem károsodott, akkor a hőszugárzó automatikusan bekapcsol, ha a berendezés már lehűt
	Az önvisszaállító kioldó működött	Kapcsolja ki a hőszugárzót és ellenőrizze, nem tömődött-e el a bemeneti vagy kimeneti rész. Csatlakoztassa le a dugót és várjon legalább 10 percet, hogy a biztonsági rendszer alaphelyzetbe álljon, csak ezt követően indítsa újra a hőszugárzót.
Rendellene zaj	A berendezés nem teljesen egyenesen áll	Helyezze a hőszugárzót egyenes felületre

## KÖRNYEZETVÉDELEM



*A hibás vagy már feleslegessé vált elektromos, elektronikus készülékeket az ezzel foglalkozó begyűjtő helyeken kell leadni.*

#### Csak EU országokban

Elektromos szerszámokat ne dobjon a háztartási hulladékok közé. Az elektromos és elektronikai hulladékokra vonatkozó, 2012/19/EU európai irányelv és annak a nemzeti törvénykezésbe történő átültetése értelmében az elhasznált elektromos készülékeket külön kell gyűjteni és környezetbarát módon kell kiselejtezni.

## JÓTÁLLÁS

A VONROC termékei a legmagasabb minőségi normák szerint készülnek, és az eredeti vásárlás napjától számított, törvényileg előírt időtartamig garatáljuk, hogy anyag- és gyártási hibáktól mentesen fognak működni. Ha a termékben ezen időszak alatt bármilyen hiba jelentkezik anyag- és/ vagy gyártási hiba miatt, kérjük, forduljon közvetlenül a VONROC vállalathoz.

A szavatosság nem érvényes a következő körülmények egyikére sem:

- Nem hivatalos szervizközpontok javítást vagy módosítást végeztek (vagy megkíséreltek javítást vagy módosítást végezni) a gépen;
- Normál elhasználódás és kopás;
- A szerszámot erőszakosan vagy nem rendeltetésszerűen használták, vagy a karbantartása nem volt megfelelő;
- Nem eredeti pótalkatrészeket használtak.

A jelen garancia a vállalat által (akár kifejezetten, akár hallgatólagosan) biztosított kizárólagos garancia. Nem léteznek olyan egyéb garanciák (sem kifejezett, sem hallgatólagos garanciák, beleértve az értékesíthetőségre és az adott célra való alkalmasságra vonatkozó hallgatólagos garanciákat is), amelyek a jelen garancia hatókörén túlmutatnak. A VONROC semmilyen esetben sem felelős semmilyen járulékos vagy következményes kárért. A forgalmazók jogorvoslati teendői az előírásoknak nem megfelelő egységek vagy alkatrészek javítására és cseréjére korlátozódnak.

**A termék és a használati útmutató változtatásának jogát fenntartjuk. A műszaki adatok előzetes bejelentés nélkül változhatnak.**

Típusazonosító(k): EH519AC, EH519AC_WHITE					
Tétel	Szimbólum	Érték	Egység	Tétel	Egység
<b>Hőteljesítmény</b>				<b>Hőteljesítmény típusa, kizárólag elektromos tároló helyiségmelegítők esetében (válasszon ki egyet)</b>	
Névleges hőteljesítmény	P <sub>nom</sub>	1,5	kW	manuális hűtőtés-szabályozás, integrált termosztáttal	Nem
Minimális hőteljesítmény (indikatív)	P <sub>min</sub>	1,0	kW	manuális hűtőtés-szabályozás szobai és/vagy szabadtéri hőmérsékleti visszajelzéssel	Nem
Maximális folyamatos hőteljesítmény	P <sub>max,c</sub>	1,5	kW	elektromos hűtőtés-szabályozás szobai és/vagy szabadtéri hőmérsékleti visszajelzéssel	Nem
<b>Kiegészítő áramfogyasztás</b>				ventilátoros hőteljesítmény	Nem
Névleges hőteljesítménynél	el <sub>max</sub>	0,000	kW	<b>A hőteljesítmény/szobai hőfokszabályozó típusa (válasszon ki egyet)</b>	
Minimális hőteljesítménynél	el <sub>min</sub>	0,000	kW	egylépcsős hőteljesítmény és nincs szobai hőfokszabályozás	Nem
Készletléti üzemmódban	el <sub>SB</sub>	0,000	kW	Két vagy több manuális lépcső, nincs szobai hőfokszabályozás	Nem
				mechanikus termosztáttal történő szobai hőfokszabályozással	Nem
				elektromos szobai hőfokszabályozással	Igen
				elektromos szobai hőfokszabályozással és napi időzítővel	Nem
				elektromos szobai hőfokszabályozással és heti időzítővel	Nem
<b>Egyéb vezérlési műveletek (több választás is lehetséges)</b>					
				szobai hőfokszabályozás jelenlét-érzékeléssel	Nem
				szobai hőfokszabályozás nyitottablak-érzékeléssel	Nem
				távoli vezérlési opció	Nem
				adaptív indítási opció	Nem
				üzemidő korlátozási opció	Igen
				feketegömb-érzékelővel	Nem
Kapcsolat	VONROC • Lingenstraat 6 • 8028 PM • Zwolle • The Netherlands				

## 1. BEZPEČNOSTNÍ POKYNY

Přečtěte si přiložené bezpečnostní výstrahy, dodatečné bezpečnostní výstrahy a bezpečnostní pokyny. Nebudete-li dodržovat tyto bezpečnostní výstrahy a pokyny, může dojít k úrazu elektrickým proudem, k vzniku požáru nebo k vážného zranění. Uchovejte tyto bezpečnostní výstrahy a pokyny pro budoucí použití.

V tomto návodu k obsluze a na tomto výrobku jsou použity následující symboly:



*Přečtěte si návod k obsluze.*



*Upozorňuje na riziko zranění osob, ztráty života nebo poškození zařízení, nebudou-li dodržovány pokyny uvedené v tomto návodu.*



*Upozorňuje na nebezpečí úrazu elektrickým proudem.*



*Zařízení třídy II - Dvojitá izolace - Není nutné použití uzemňovacího vodiče.*



*Důležité! VAROVÁNÍ: Abyste předešli přehřátí ohřívače vzduchu, nezakrývejte jej.*



*Nevyhazujte tento výrobek do nevhodného kontajneru.*



*Tento výrobek je vyroben v souladu s platnými bezpečnostními normami, které jsou uvedeny ve směrnicih EU.*

### OBCENÉ BEZPEČNOSTNÍ VÝSTRAHY

Tento spotřebič mohou používat děti starší 8 let a osoby se sníženými fyzickými, smyslovými nebo mentálními schopnostmi nebo nedostatkem zkušeností a znalostí, pokud jsou pod dohledem nebo byly poučeny o bezpečném používání spotřebiče a porozuměly souvisejícím rizikům. Děti si s tímto zařízením nesmí hrát.

Čištění a uživatelskou údržbu nesmí provádět děti bez dozoru.

Děti mladší 3 let se nesmí k tomuto zařízení přibližovat, pokud nejsou pod neustálým dohledem. Děti ve věku od 3 do 8 let smí zapínat/vypínat tento spotřebič pouze za předpokladu, že bude umístěn

nebo nainstalován v určené normální provozní poloze a že budou děti pod dohledem nebo byly poučeny o bezpečném používání tohoto spotřebiče a chápou související nebezpečí. Děti ve věku od 3 do 8 let nesmí tento spotřebič zapojovat, regulovat ani čistit, ani provádět jeho uživatelskou údržbu.



**UPOZORNĚNÍ – Některé části tohoto zařízení mohou být velmi horké a mohou způsobit zranění. Zvláště opatrně si musíte počínat v přítomnosti dětí a zranitelných osob.**

### DOPLŇKOVÁ BEZPEČNOSTNÍ VAROVÁNÍ TÝKAJÍCÍ SE ELEKTRICKÉHO OHŘÍVAČE

- Děti se nesmí nacházet v blízkosti tohoto zařízení, pokud nejsou pod trvalým dozorem, aby bylo zajištěno, že si s tímto ohřívačem nebudou hrát.
- Děti nesmí zapojovat, umisťovat, ovládat, nastavovat a čistit zařízení nebo provádět uživatelskou údržbu.
- UPOZORNĚNÍ – některé části tohoto zařízení mohou být velmi horké a mohou způsobit poranění. Zvláště opatrně si musíte počínat v přítomnosti dětí a zranitelných osob.
- Tento ohřívač není vhodný pro použití venku ve vlhkém počasí, v koupelnách ani v jiném mokré nebo vlhkém prostředí.
- Vezměte prosím na vědomí, že se tento ohřívač může velmi zahřát, a proto by měl být umístěn v bezpečné vzdálenosti od hořlavých předmětů, jako jsou záclony, nábytek a podobně.
- Při manipulaci s tímto ohřívačem používejte rukojeť.
- Nepohybujte s tímto ohřívačem, je-li v provozu. Před manipulací s tímto výrobkem počkejte, dokud zcela nevychladne.
- Nezakrývejte tento ohřívač.
- Tento ohřívač nesmí být umístěn přímo pod elektrickou zásuvkou.
- Nepřipojujte tento ohřívač pomocí časového spínače nebo jiného přístroje, který umožňuje automatické zapnutí tohoto zařízení.
- Tento ohřívač nesmí být umístěn/provozován v místnostech, kde se používají nebo skladují hořlavé kapaliny či plyny.
- Pokud se používá prodlužovací kabel, musí být co nejkratší a vždy zcela rozvinutý.
- Do stejné elektrické zásuvky, ve které je připojen tento ohřívač, nesmíte připojovat žádné další spotřebiče.

- Nepoužívejte tento ohřívač v bezprostřední blízkosti vany, sprchy ani bazénu.
- Dojde-li k poškození napájecího kabelu, musí být vyměněn výrobcem, jeho autorizovaným servisem nebo osobou s příslušnou kvalifikací, aby se předešlo možným rizikům.
- Ujistěte se, zda je tento ohřívač umístěn mimo dosah dětí a zvířat, a zajistěte, aby byl vždy pod dozorem.
- Neumísťujte tento ohřívač na pohyblivý vozítek ani do míst, kde by o něj bylo možné snadno zakopnout. Také jej na těchto místech nepoužívejte.
- Pokud nebudete tento ohřívač delší dobu používat, odpojte jej od elektrické zásuvky. Uchopte zástrčku a vytáhněte ji. Nikdy neodpojujte zástrčku taháním za kabel.
- Udržujte ohřívač v dostatečné vzdálenosti od záclon nebo míst, kde by mohl být přívod vzduchu snadno blokován.
- Napájecí kabel je vodotěsný, pouze pokud není připojen do elektrické zásuvky. Abyste zabránili možnému úrazu elektrickým proudem nebo vzniku svodového proudu, nikdy neovládejte ohřívač mokřima rukama ani jej nepoužívejte, je-li na napájecím kabelu voda.
- Nelikvidujte elektrické spotřebiče jako netříděný komunální odpad, ale využijte sběrné dvory. Informace o dostupných systémech sběru odpadu vám sdělí místní úřady. Pokud jsou elektrické spotřebiče likvidovány na skládkách, mohou nebezpečné látky proniknout do podzemních vod a dostat se do potravinového řetězce, což může vést k poškození vašeho zdraví a zhoršení kvality života.



*Varování! Nepoužívejte tento ohřívač v malých místnostech obsazených osobami, které nejsou schopny místnost samy opustit, není-li zajištěn neustálý dozor nad těmito osobami.*



*Varování! Z důvodu snížení rizika způsobení požáru udržujte textilie, závěsy nebo jakékoli jiné hořlavé materiály v minimální vzdálenosti 1 m od výstupu vzduchu.*

### Elektrická bezpečnost

Používáte-li elektrická zařízení, vždy dodržujte bezpečnostní předpisy platné ve vaší zemi, aby bylo omezeno riziko vzniku požáru, úrazu elektrickým proudem nebo zranění. Prostudujte si následující

bezpečnostní pokyny a a také přiložené bezpečnostní pokyny.



*Vždy zkontrolujte, zda se napájecí napětí sítě shoduje s napájecím napětím na výkonovém štítku.*

Musíte-li používat toto elektrické nářadí ve vlhkém prostředí, používejte v elektrickém obvodu proudový chránič (RCD). Použití proudového chrániče (RCD) snižuje riziko úrazu elektrickým proudem.

## 2. INFORMACE O VÝROBKU

### Určené použití

Tento elektrický ohřívač je určen pro nekomerční použití uvnitř budov a v domácnostech a k dočasnému vytápění obytných místností. Nepoužívejte tento výrobek k žádnému jinému účelu. Tento ohřívač může být v uzavřených místnostech používán jako volně stojící zařízení k vytápění místností. Tento ohřívač může být používán pouze ve zcela smontovaném stavu a musí stát ve svislé poloze na stabilním povrchu. Obsahuje termostat a tepelnou pojistku s automatickým resetováním pro ovládání topného tělesa, a tím i teploty.

### TECHNICKÉ ÚDAJE

Model č.	EH519AC, EH519AC_WHITE
Napájecí napětí	220-240 V ~ / 50 Hz
Jmenovitý výkon	1500 W
Nastavení	Fan / 1000 W / 1500 W
Rozsah teplot	15 - 40°C
Časový spínač	1 - 12 hour
Výhřevná kapacita	15 m <sup>2</sup>
Třída ochrany	Class II
Délka napájecího kabelu	1.6 m
Hmotnost	2.1 kg

### POPIS

Čísla v následujícím textu odkazují na obrázky na stranách 2–3.

1. Ohřívač
2. Ovládací panel
  - A. Tlačítko teploty
  - B. Tlačítko časového spínače

- C. Tlačítko oscilace
- D. Tlačítko zapnuto/vypnuto a tlačítko režimu
- 3. Indikátory
  - A. Indikátor ventilátoru
  - B. Indikátor velkého ohřevu
  - C. Indikátor malého ohřevu
  - D. Indikátor časového spínače
  - E. Indikátor oscilace
  - F. Kontrolka napájení
- 4. Displej
- 5. Hlavní spínač
- 6. Mřížka výstupu vzduchu
- 7. Vstup vzduchu
- 8. Spínač ochrany pro případ převrácení
- 9. Dálkové ovládání
  - A. Tlačítko zapnuto/vypnuto
  - B. Tlačítko režimu
  - C. Tlačítko časového spínače
  - D. Tlačítko zvýšení teploty
  - E. Tlačítko snížení teploty
  - F. Tlačítko oscilace

### 3. POUŽITÍ



*Před použitím zkontrolujte, zda není zařízení poškozeno a použijte pouze zařízení v dobrém stavu.*

Při prvním použití elektrického ohřivače vzduchu můžete zaznamenat vznik slabého kouře. Tento jev je zcela normální a po krátké době zmizí. Topné těleso je vyrobeno z nerezové oceli a při výrobě bylo ošetřeno ochranným olejem. Při zahřátí zbytků oleje může dojít ke vzniku kouře.

#### Umístění elektrického ohřivače vzduchu

- Postavte ohřivač vzduchu do svislé polohy na pevný a rovný povrch.
- Mezi přední částí krytu a stěnami zachovejte minimální vzdálenost 1 m a od všech ostatních částí krytu zajistěte minimální vzdálenost 30 cm. Chraňte ohřivač vzduchu před vlhkem.



*Varování! Dbejte na to, abyste ohřivač vzduchu postavili na bezpečné místo, kde o něj nebo o kabel nebude možné snadno zakopnout. Rovněž umístěte ohřivač vzduchu na místo, ze kterého nebude moci spadnout.*

#### Zapnutí elektrického ohřivače (obr. A, B)

- Zapojte napájecí kabel do elektrické zásuvky.
- Zapněte hlavní spínač (5).
- Stiskněte tlačítko zapnuto/vypnuto a tlačítko režimu (2D), aby došlo k zapnutí ohřivače. Poslední nastavení bylo uloženo. Chcete-li režim ohřevu změnit, stiskněte tlačítko zapnuto/vypnuto a tlačítko režimu (2D). Opakovaným stiskem tlačítka zapnutí a režimu (2D) můžete přepínat mezi režimem ventilátoru, slabým ohřevem, silným ohřevem a vypnutím.
  - Ventilátor: Rozsvítí se indikátor ventilátoru (3A).
  - Režim slabého ohřevu – 1000 W: svítí indikátor slabého ohřevu (3B). Na displeji (4) se 4krát zobrazí blikající symbol „01“ a potom se displej vrátí k zobrazení aktuální okolní teploty.
  - Režim silného ohřevu – 1500 W: svítí indikátor silného ohřevu (3C). Na displeji (4) se 4krát zobrazí blikající symbol „02“ a potom se displej vrátí k zobrazení aktuální okolní teploty.

#### Nastavení teploty (obr. B, C)

- Jako výchozí je na displeji (4) zobrazena teplota okolí.
- Poslední nastavení bylo uloženo. Teplota může být nastavena v rozsahu od 15 °C do 40 °C.
- Nastavte požadovanou teplotu stisknutím tlačítka zvýšení nebo snížení teploty spínače (2A, 9D, 9E).
- Cílová teplota bude blikat 5 sekund po posledním stisknutí tlačítka a potom bude na displeji zobrazena teplota okolí.

#### Stálá teplota v místnosti

Ohřivač vzduchu se bude automaticky zapínat a vypínat, a bude udržovat stálou teplotu v místnosti. Jakmile teplota okolí v místnosti dosáhne požadované cílové teploty, topné těleso přejde do pohotovostního režimu. Jakmile teplota okolí začne klesat, topné těleso se znovu zapne.

#### Funkce ovládacího panelu (obr. B)

Tento ohřivač může být ovládán pomocí ovládacího panelu (2). K dispozici jsou následující funkce:

- Tlačítko teploty (2A): Stisknutím dojde ke zvýšení na požadovanou teplotu. Jakmile bude dosaženo maximální teploty 40 °C, teplota se bude znovu zvyšovat od 15 °C.
- Tlačítko časového spínače (2B): Tento časový

spínač může být nastaven v rozsahu od 1 hodiny až po 12 hodin. Stiskněte tlačítko časového spínače (2B), aby došlo k jeho nastavení v intervalech po 1 hodině. Na displeji (4) bude zobrazena aktuálně nastavená doba trvání. Rozsvítí se indikátor časového spínače (3B). Bez časového spínače neexistuje žádné omezení.

- Tlačítko oscilace (2C): Po stisknutí tohoto tlačítka bude aktivováno otáčení tohoto ohřívače. Rozsvítí se indikátor oscilace (3E). Po opětovném stisknutí bude otáčení vypnuto. Opakovaným stiskem tlačítka zapnutí a režimu (2D) můžete přepínat mezi režimem ventilátoru, slabým ohřevem, silným ohřevem a vypnutím.
  - Ventilátor: Rozsvítí se indikátor ventilátoru (3A).
  - Režim slabého ohřevu – 1000 W: svítí indikátor slabého ohřevu (3B). Na displeji (4) se 4krát zobrazí blikající symbol „01“ a potom se displej vrátí k zobrazení aktuální okolní teploty.
  - Režim silného ohřevu – 1500 W: svítí indikátor silného ohřevu (3C). Na displeji (4) se 4krát zobrazí blikající symbol „02“ a potom se displej vrátí k zobrazení aktuální okolní teploty.

#### Funkce dálkového ovládání (obr. C)

Kromě výše uvedeného ovládání pomocí ovládacího panelu může být tento ohřívač ovládán také dálkovým ovládáním (9). K dispozici jsou následující funkce:

- Tlačítko zapnuto/vypnuto (9A): Zapíná a vypíná ohřívač.
- Tlačítko režimu (9B): Umožňuje přepínání mezi režimy ventilátor, malý ohřev a velký ohřev.
  - Ventilátor: Rozsvítí se indikátor ventilátoru (3A).
  - Režim slabého ohřevu – 1000 W: svítí indikátor slabého ohřevu (3B). Na displeji (4) se 4krát zobrazí blikající symbol „01“ a potom se displej vrátí k zobrazení aktuální okolní teploty.
  - Režim silného ohřevu – 1500 W: svítí indikátor silného ohřevu (3C). Na displeji (4) se 4krát zobrazí blikající symbol „02“ a potom se displej vrátí k zobrazení aktuální okolní teploty.
- Tlačítko časového spínače (9C): Tento časový spínač může být nastaven v rozsahu od 1 hodiny až po 12 hodin. Stiskněte tlačítko časového spínače (9C), aby došlo k jeho nastavení v intervalech po 1 hodině. Na displeji (4) bude zobrazena aktuálně nastavená doba trvání. Rozsvítí se indikátor časového spínače (3B). Bez časového spínače neexistuje žádné omezení.
- Tlačítko oscilace (9F): Po stisknutí tohoto tla-

čítka bude aktivováno otáčení tohoto ohřívače. Rozsvítí se indikátor oscilace (3E). Po opětovném stisknutí bude otáčení vypnuto.

- Tlačítko zvýšení teploty (9D): Stisknutím dojde ke zvýšení na požadovanou teplotu.
- Tlačítko snížení teploty (9E): Stisknutím dojde ke snížení na požadovanou teplotu.

#### Spínač ochrany pro případ převrácení (8)

Tento ohřívač je vybaven mechanickou ochranou pro případ převrácení. Tato ochrana zajišťuje, aby u ohřívače, který není umístěn ve svislé poloze na pevném a rovném povrchu a dojde k jeho převrnutí, tento systém ohřívač automaticky vypnul. Dojde-li k takové situaci, postavte tento ohřívač na pevný a rovný povrch a opět jej zapněte.

#### Automatická ochrana proti přehřátí

Tento ohřívač vzduchu je vybaven bezpečnostním vnitřním termostatem zabráňujícím přehřátí a ochranným obvodem proti přehřátí. Pokud je dosaženo potenciální teploty přehřátí, systém automaticky vypne ohřívač vzduchu. Dojde-li k takové situaci, ohřívač může pokračovat v chodu až po provedení jeho resetování. Resetování ohřívače: Před opětovným zapnutím ohřívače odpojte zástrčku jeho napájecího kabelu od zásuvky a počkejte alespoň 30 minut, než dojde k jeho vychladnutí.

#### Vypnutí elektrického ohřívače (obr. A)



*Před vypnutím nechejte toto zařízení vychladnout pomocí funkce ventilátoru.*

- Podržte stisknuté tlačítko zapnutí a režimu (2D), až indikátor ventilátoru (3A) začne blikat.
- Bude spuštěn režim ventilátoru a ohřívač bude ochlazován po dobu 15 sekund. Na displeji bude zobrazena doba trvání.
- Vypněte hlavní vypínač (5).
- Odpojte zástrčku napájecího kabelu od elektrické zásuvky.

#### Uložení elektrického ohřívače

- Před uložením tohoto elektrického ohřívače jej vždy nechejte zcela vychladnout.
- Nikdy neomotávejte napájecí kabel kolem tohoto ohřívače.



*Varování! Nikdy neukládejte toto zařízení ve vlhkém nebo prašném prostředí.*



## 4. ÚDRŽBA



Před čištěním a prováděním údržby toto zařízení vždy vypněte a odpojte zástrčku napájecího kabelu od síťové zásuvky.

### Čištění



Před čištěním nechejte toto zařízení zcela vychladnout.

- Čistěte tento ohřívač (lehce navlhčeným) hadříkem, kartáčem nebo vysavačem.
- Za účelem ochrany krytu zabraňte postříkání ohřívače vzduchu vodou a nikdy k jeho čištění nepoužívejte rozpouštědla, jako jsou benzín, izoamyl acetát, toluen atd.
- Pravidelně čistěte vstup a výstup vzduchu (6, 7) vysavačem.
- Při ukládání tohoto elektrického ohřívače jej nejdříve nechejte zcela vychladnout a udržujte jej v suchu.

### Odstraňování problémů

V případě, kdy tento elektrický ohřívač nebude pracovat správně, uvádíme některé možné příčiny těchto závad a postupy pro jejich odstranění.

Problém	Možná příčina	Postup pro odstranění
Ohřívač vzduchu nepracuje, i když je připojen k elektrické zásuvce a vypínač i termostat jsou zapnuty.	Zástrčka je uvolněná nebo připojení není provedeno správně	Vytáhněte zástrčku a zkontrolujte připojení zástrčky a elektrické zásuvky. Potom ji znovu připojte.
	V zásuvce není napětí	Zasuňte zástrčku do správné zásuvky
Topné těleso je rozžhaveno	Vstupní napětí je příliš vysoké nebo příliš nízké	Použijte zdroj napájení podle označení na štítku
	Mřížka přívodu vzduchu je blokována	Umístěte ohřívač vzduchu v dostatečné vzdálenosti od předmětů, jako jsou záclony, plastové sáčky, papír a další předměty, které mohou zakrýt přívod vzduchu nebo se na něj snadno přichytit

Zařízení se nezahřálo, funguje pouze ventilátor	Na zařízení nebylo nastaveno topení	Nastavte přepínač do polohy ohřev
	Aktivoval se termostat	Otáčejte termostatem a poslouchejte, zda uslyšíte zvuk jeho aktivace/deaktivace. Pokud nedochází k žádnému cvaknutí a termostat není poškozen, ohřívač vzduchu se automaticky zapne, jakmile se ochladí
	Aktivovala se tepelná pojistka s automatickým resetováním	Vypněte ohřívač vzduchu a zkontrolujte případné zablokování přívodu nebo výstupu vzduchu. Odpojte zástrčku a před opětovným zapnutím ohřívače vzduchu počkejte nejméně 10 minut, než bude ochranný systém resetován.
Je slyšet abnormální hluk	Zařízení nestojí rovně	Postavte ohřívač vzduchu na rovný povrch

## OCHRANA ŽIVOTNÍHO PROSTŘEDÍ



Poškozená a likvidovaná elektrická nebo elektronická zařízení musí být odevzdána ve sběrných dvorech, které jsou určeny pro tento účel.

### Pouze pro země EU

Nevyhazujte elektrická nářadí do běžného domácího odpadu. Podle evropské směrnice 2012/19/EU týkající se likvidace elektrických a elektronických zařízení a její implementace do vnitrostátního práva, musí být nepoužívaná elektrická nářadí shromažďována odděleně a jejich likvidace musí být provedena tak, aby nedošlo k ohrožení životního prostředí.

## ZÁRUKA

Výrobky VONROC jsou vyvíjeny v souladu s požadavky norem na nejvyšší kvalitu a je zaručeno, že po dobu platné záruky, která začíná běžet dnem původního nákupu, nebudou na těchto výrobcích žádné vady materiálu, ani vady způsobené špatným dílenským zpracováním. Dojde-li během tohoto období k závadě v důsledku vady materiálu nebo dílenského zpracování, kontaktujte přímo firmu VONROC.

Z této záruky jsou vyloučeny následující případy:

- Opravy nebo úpravy tohoto zařízení byly provedeny nebo byly provedeny pokusy o jejich provedení v neautorizovaných servisech;
- Běžné opotřebování;
- Toto zařízení bylo nesprávně použito, nevhodně použito nebo nebyla prováděna jeho správná údržba;
- Byly použity neoriginální náhradní díly.

Výše uvedené představuje jedinou záruku poskytovanou společností, ať už výslovnou nebo předpokládanou. Neexistují žádné další záruky, výslovné nebo předpokládané, které přesahují rámec zde uvedeného, včetně předpokládaných záruk prodejnosti a vhodnosti pro určitý účel. VONROC v žádném případě neodpovídá za jakékoliv náhodné ani následné škody. Opravné prostředky prodejců se omezují výhradně na opravu nebo výměnu nevyhovujících jednotek nebo dílů.

**Na tomto výrobku a v tomto návodu mohou být prováděny změny. Specifikace mohou být změněny bez dalšího upozornění.**

Identifikátory modelu: EH519AC, EH519AC_WHITE					
Položka	Symbol	Hodnota	Jednotka	Položka	Jednotka
<b>Tepelný výkon</b>				<b>Typ tepelného příkonu, pouze pro elektrické lokální ohřivače (zvolte jeden)</b>	
Jmenovitý topný výkon	Pnom	1,5	kW	ruční regulace ohřevu, s integrovaným termostatem	Ne
Minimální topný výkon (přibližný)	Pmin	1,0	kW	ruční regulace ohřevu se zpětnou vazbou na pokojovou a/nebo venkovní teplotu	Ne
Maximální nepřetržitý topný výkon	Pmax,c	1,5	kW	elektronická regulace ohřevu se zpětnou vazbou na pokojovou a/nebo venkovní teplotu	Ne
<b>Spotřeba elektrické energie</b>				topný výkon s podporou ventilátoru	
Při jmenovitém topném výkonu	elmax	0,000	kW	<b>Typ regulace tepelného výkonu / pokojové teploty (zvolte jeden)</b>	
Při minimálním topném výkonu	elmin	0,000	kW	jednostupňová regulace topného výkonu a žádná regulace pokojové teploty	Ne
V pohotovostním režimu	elSB	0,000	kW	Dvou nebo víceúrovňové ovládání, bez regulace pokojové teploty	Ne
				s mechanickým termostatem pro regulaci pokojové teploty	Ne
				s elektronickou regulací pokojové teploty	Ano
				elektronická regulace pokojové teploty plus denní časový spínač	Ne
				elektronická regulace pokojové teploty plus týdenní časový spínač	Ne
<b>Další možnosti regulace (lze volit více možností)</b>					
				regulace pokojové teploty, s detekcí přítomnosti osob	Ne
				regulace pokojové teploty, s detekcí otevřených oken	Ne
				s volbou dálkového ovládání	Ne
				s adaptivním ovládáním spuštění	Ne
				s omezením pracovní doby	Ano
				s černým čidlem	Ne
Kontakty	VONROC • Lingenstraat 6 • 8028 PM • Zwolle • Nizozemí				





**DECLARATION OF CONFORMITY**  
**EH519AC, EH519AC\_WHITE - ELECTRIC PTC FAN HEATER**

- (EN) We declare under our sole responsibility that this product is in conformity with directive 2011/65/EU of the European parliament and of the council of 8 June on the restriction of the use of certain hazardous substances in electrical and electronic equipment is in conformity and accordance with the following standards and regulations:
- (DE) Der Hersteller erklärt eigenverantwortlich, dass dieses Produkt der Direktive 2011/65/EU des Europäischen Parlaments und des Rats vom 8. Juni 2011 über die Einschränkung der Anwendung von bestimmten gefährlichen Stoffen in elektrischen und elektronischen Geräten entspricht. den folgenden Standards und Vorschriften entspricht:
- (NL) Wij verklaren onder onze volledige verantwoordelijkheid dat dit product voldoet aan de conform Richtlijn 2011/65/EU van het Europees Parlement en de Raad van 8 juni 2011 betreffende beperking van het gebruik van bepaalde gevaarlijke stoffen in elektrische en elektronische apparatuur en in overeenstemming is met de volgende standaarden en reguleringen:
- (FR) Nous déclarons sous notre seule responsabilité que ce produit est conforme aux standards et directives suivants: est conforme à la Directive 2011/65/EU du Parlement Européen et du Conseil du 8 juin 2011 concernant la limitation d'usage de certaines substances dangereuses dans l'équipement électrique et électronique.
- (ES) Declaramos bajo nuestra exclusiva responsabilidad que este producto cumple con las siguientes normas y estándares de funcionamiento: se encuentra conforme con la Directiva 2011/65/UE del Parlamento Europeo y del Consejo de 8 de junio de 2011 sobre la restricción del uso de determinadas sustancias peligrosas en los equipos eléctricos y electrónicos.
- (IT) Dichiariamo, sotto la nostra responsabilità, che questo prodotto è conforme alle normative e ai regolamenti seguenti: è conforme alla Direttiva 2011/65/UE del Parlamento Europeo e del Consiglio dell'8 giugno 2011 sulla limitazione dell'uso di determinate sostanze pericolose nelle apparecchiature elettriche ed elettroniche.
- (SV) Vi garanterar på eget ansvar att denna produkt uppfyller och följer följande standarder och bestämmelser: uppfyller direktiv 2011/65/EU från Europeiska parlamentet och EG-rådet från den 8 juni 2011 om begränsningen av användning av farliga substanser i elektrisk och elektronisk utrustning.
- (DA) Vi erklærer under eget ansvar, at dette produkt er i overensstemmelse med følgende standarder og bestemmelser: er i overensstemmelse med direktiv 2011/65/EU fra Europa-Parlamentet og Rådet af 8. juni 2011 om begrænsning af anvendelsen af visse farlige stoffer i elektrisk og elektronisk udstyr.
- (PL) Deklarujemy na własną odpowiedzialność, że ten produkt spełnia wymogi zawarte w następujących normach i przepisach: jest zgodny z Dyrektywą 2011/65/UE Parlamentu Europejskiego i Rady z dnia 8 czerwca 2011 r. w sprawie ograniczenia stosowania niektórych niebezpiecznych substancji w sprzęcie elektrycznym i elektronicznym.
- (RO) Declărăm prin aceasta cu răspunderea deplină că produsul acesta este în conformitate cu următoarele standarde sau directive: este în conformitate cu Directiva 2011/65/UE a Parlamentului European și a Consiliului din 8 iunie 2011 cu privire la interzicerea utilizării anumitor substanțe periculoase la echipamentele electrice și electronice.
- (PT) Declaramos por nossa total responsabilidade de que este produto está em conformidade e cumpre as normas e regulamentações que se seguem: está em conformidade com a Directiva 2011/65/UE do Parlamento Europeu e com o Conselho de 8 de Junho de 2011 no que respeita à restrição de utilização de determinadas substâncias perigosas existentes em equipamento eléctrico e electrónico.
- (HU) Kizárólagos felelősségünk tudatában kijelentjük, hogy ez a termék megfelel az Európai Parlamentnek és a Tanácsnak az egyes veszélyes anyagok elektromos és elektronikus berendezéseken való alkalmazásának korlátozásáról szóló 2011/65/EU irányelvének (június 8.), valamint a következő szabványoknak és jogszabályoknak:
- (CS) Prohlašujeme na svou výhradní odpovědnost, že tento výrobek splňuje požadavky směrnice 2011/65/EU Evropské rady a parlamentu ze dne 8. června, která se týká omezení používání určitých nebezpečných látek v elektrických a elektronických zařízeních, a splňuje také všechny požadavky následujících norem a předpisů:

**EN 60335-1, EN 60335-2-30, EN 62233, 2014/35/EU, EN 55014-1, EN 55014-2, EN 61000-3-2, EN 61000-3-3, 2014/30/EU, 2011/65/EU, 2012/19/EU**

Zwolle, 01-08-2022

H.G.F Rosberg  
CEO

VONROC • Lingenstraat 6 • 8028 PM Zwolle • The Netherlands



**VONROC®**  
BUILD YOUR FUTURE

©2022 VONROC  
[WWW.VONROC.COM](http://WWW.VONROC.COM)

2208-11