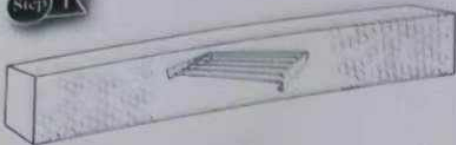


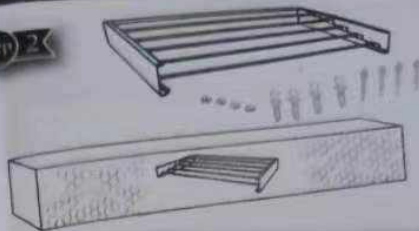
Installation Manual

Step 1



1. Open the packaging of the drying rack.

Step 2



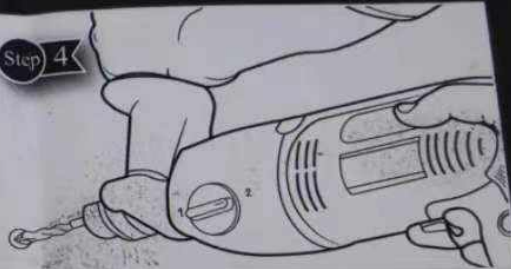
2. Check that all parts have been delivered.

Step 3



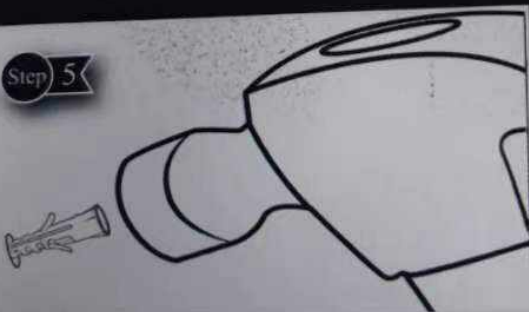
3. Mark the desired location.

Step 4



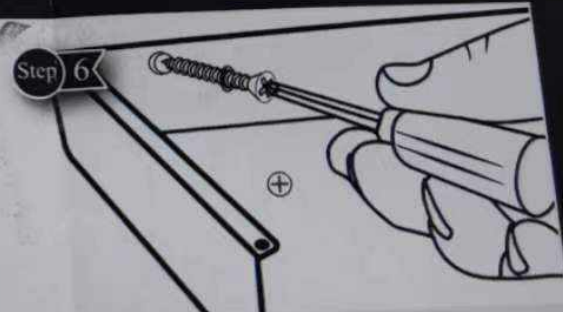
4. Drill holes at the marked points.

Step 5



5. Drive the plugs into the drilled holes.

Step 6



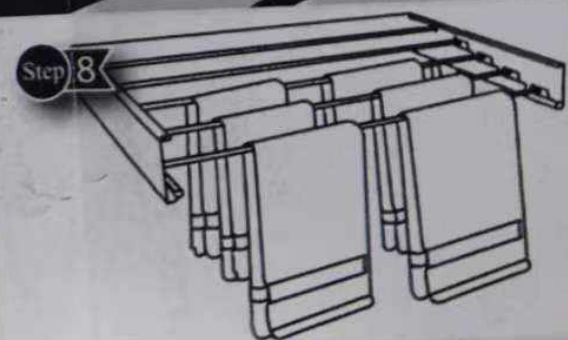
6. Tighten the screws into the wall.

Step 7



7. The drying rack is ready for use.

Step 8



8. Enjoy the tidy space!

TIP: Use the box as a support during rack disassembly.