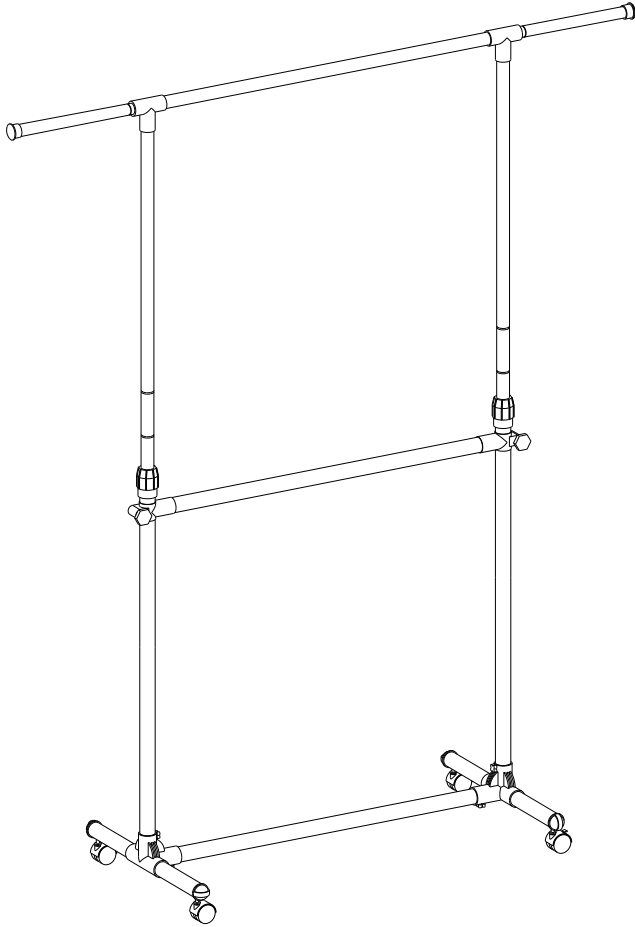


LLR401



General Guidelines

Please read the following instruction carefully and use the product properly.

Please keep this manual and hand it over when you transfer the product.

This summary may not include every detailed information of all variations and considered steps. Please contact us when further information and help needed.

Copying, reselling, translating or other modification of this instruction manual is forbidden without authorization, © Wuppessen, Inc.

Notes

Please follow the instruction for assembly; you need to use your own screwdriver while assembling this garment rack.

For convenient assembly, we pre-installed the screws on the pole, you need to unscrew the screws before assembling.

While assembling the poles, please double check the poles have completely reached the bottom of the parts.

We recommend using a soft cloth while tightening the screws to comfort your fingers.

Counter-clockwise rotate plastic knobs to release poles and adjust height, clockwise rotate to tighten the poles.

Before using, please double check all the screws and knobs have been tightened up.

Please check the wheels are unlocked before rolling this garment rack.

This garment rack is suitable for both indoor and outdoor for hanging your clothes.

This clothes rack is not suitable for rolling on carpet.

Warning

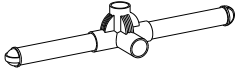

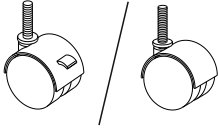
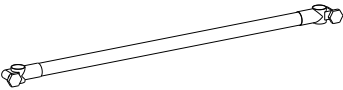
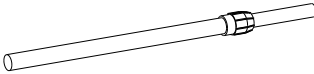
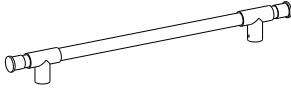

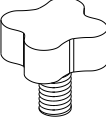
Keep the parts away from children to avoid swallow.

Do not swing on the rack for fun.

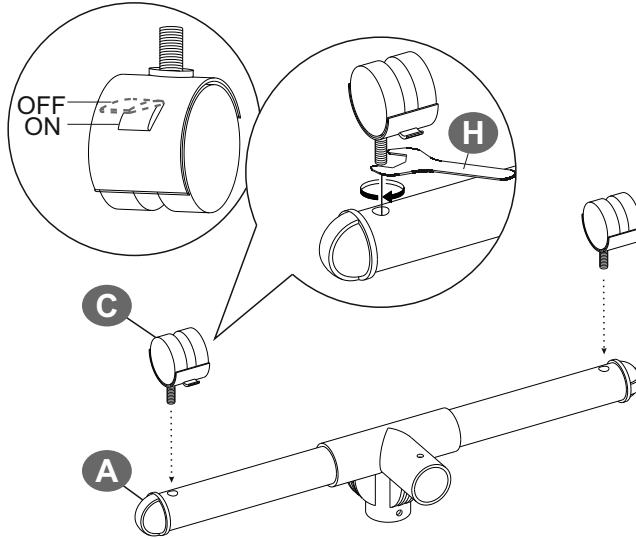
Do not stand on the bottom parts or the wheels to protect you from slipping and falling.

Do not touch the cut of the pole to protect your hands from injury and scratch.

Maximum load bearing range for each hanging rod: 55-66 lbs (25-30 kg).

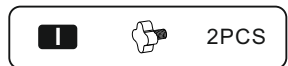
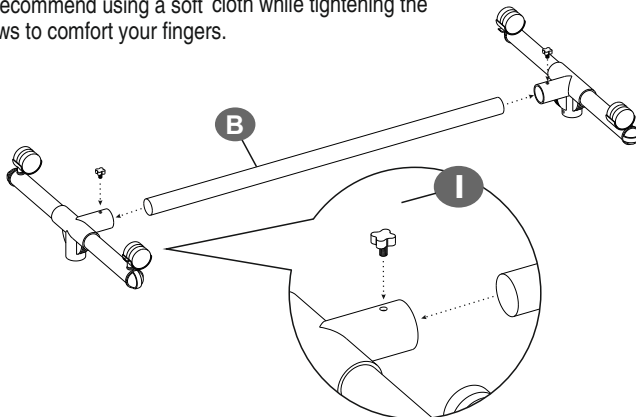
<p>A × 2</p> 	<p>B × 1</p> 
<p>C × 2 / × 2</p> 	<p>D × 1</p> 
<p>E × 2</p> 	<p>F × 1</p> 
<p>H × 1</p> 	<p>I × 4</p> 

1

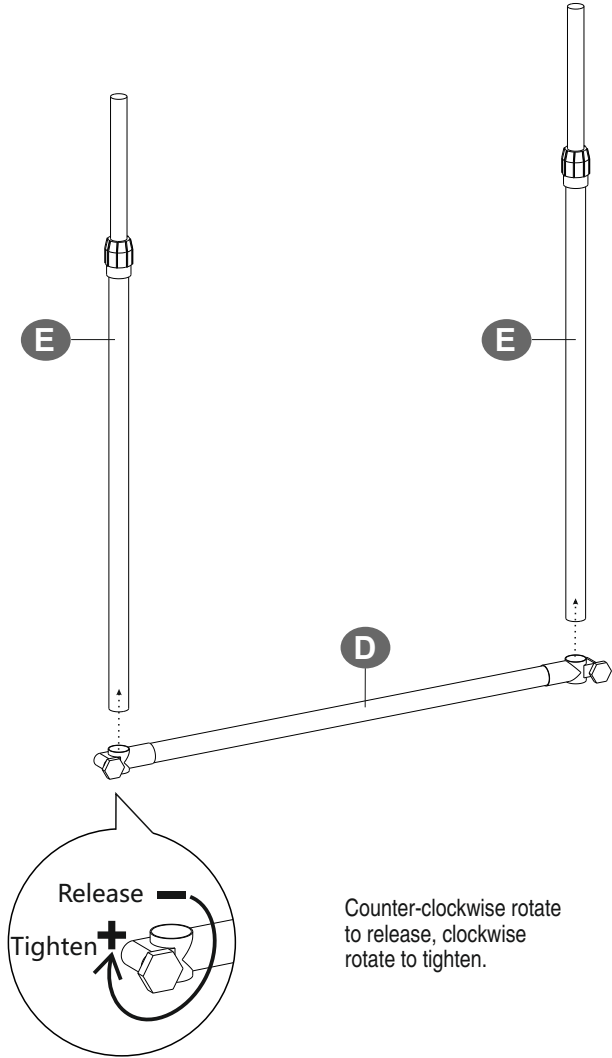


2

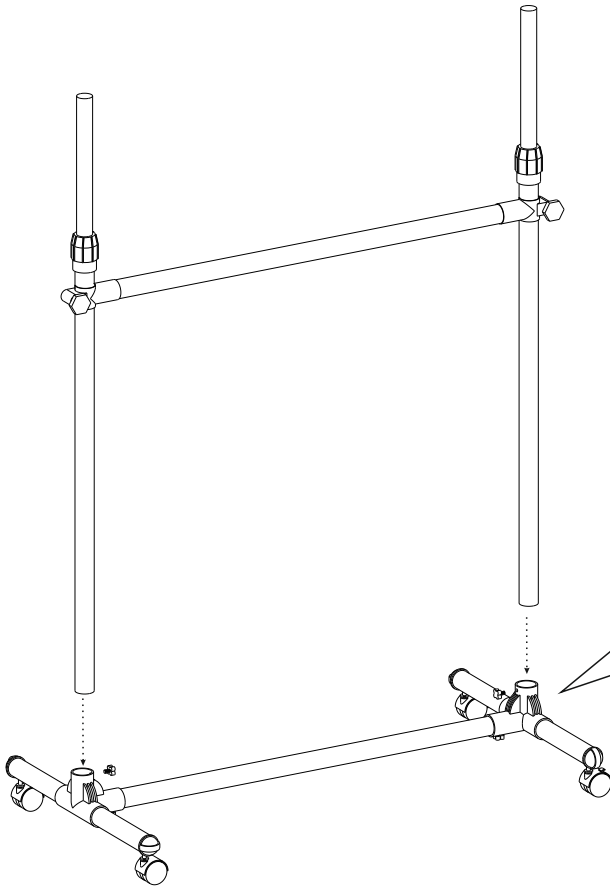
Insert the pole into the bottom of the plastic parts, and then tighten the screws.
We recommend using a soft cloth while tightening the screws to comfort your fingers.



3

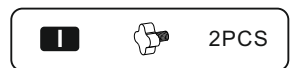
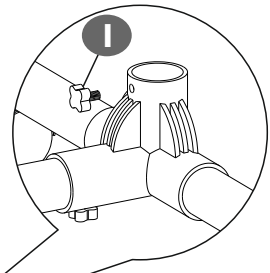


4



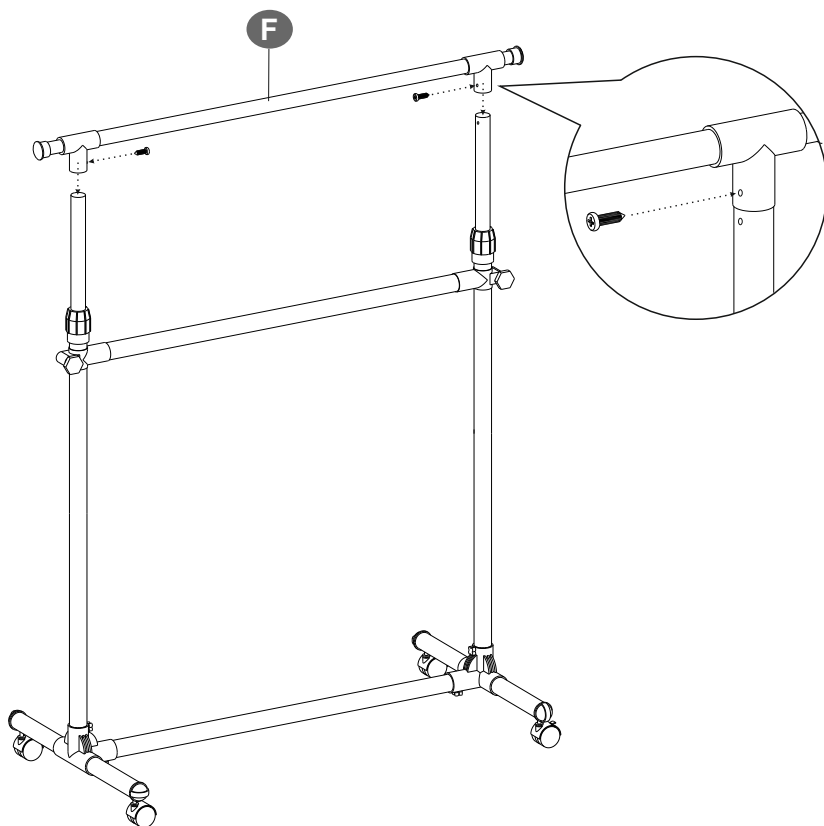
Insert the pole into the bottom of the plastic parts, and then tighten the screws.

We recommend using a soft cloth while tightening the screws to comfort your fingers.



5

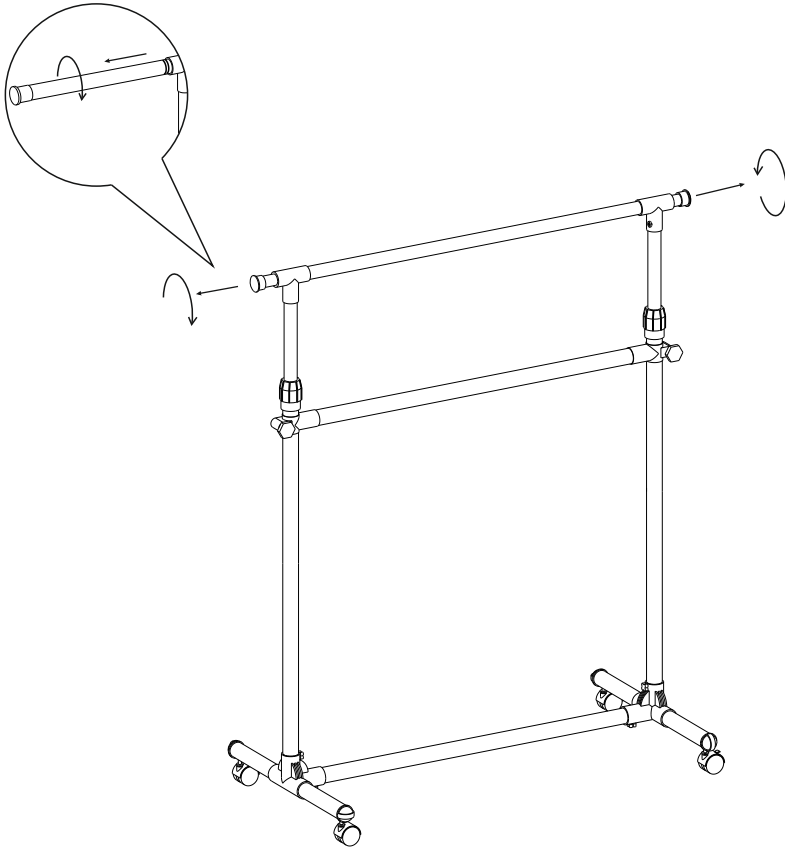
First unscrew the screws in the plastic parts.
Insert the pole into the bottom of the plastic parts, then tighten the screws.



6

Pull the extendable ends, counter-clockwise rotate to release, clockwise rotate to tighten.

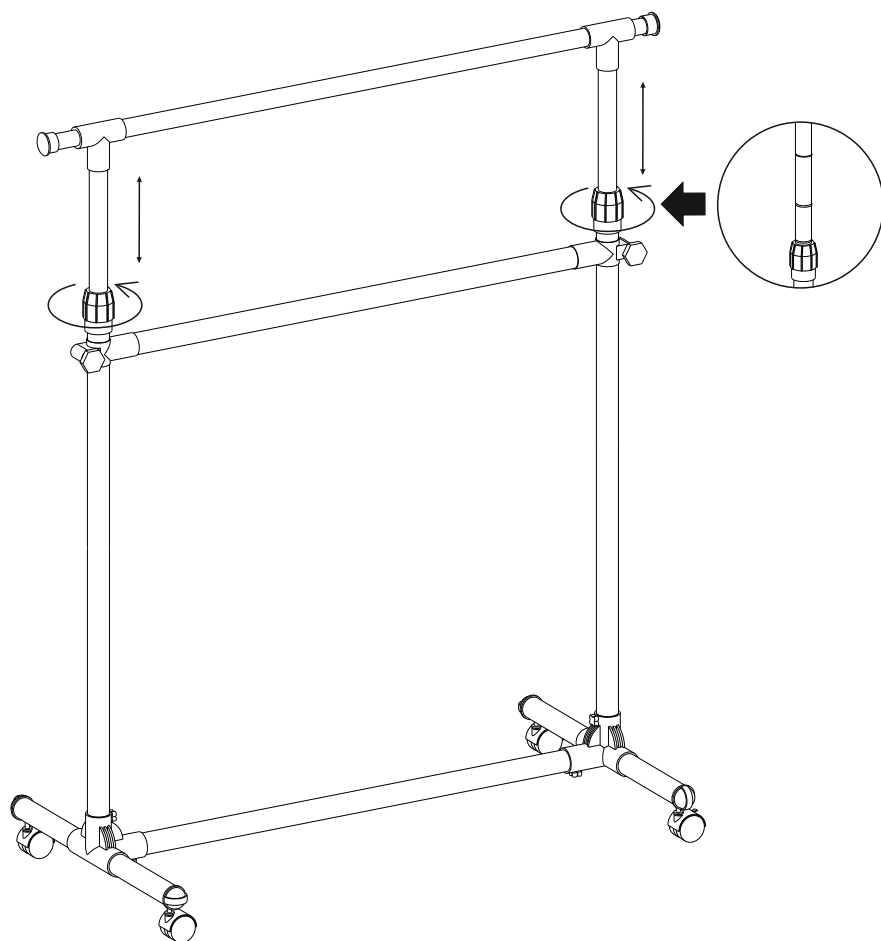
We add a mark on the pole, we do not recommend the extended length beyond the line for better stability.



7

Counter-clockwise rotate the knob to release poles and adjust the height; clockwise rotate to tighten.

We add three marks on each pole for better height adjusting reference; we do not recommend the extended height beyond the bottom line for better stability.



8

Please double check all the knobs and screws are tightened up before using, make sure the wheels with brake is unlocked before rolling.

