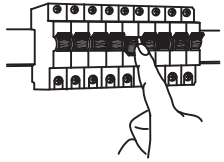
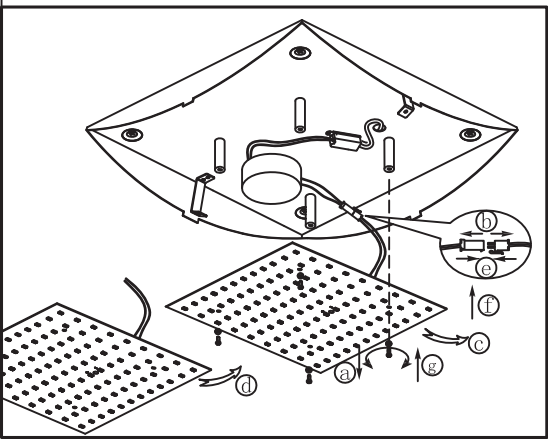
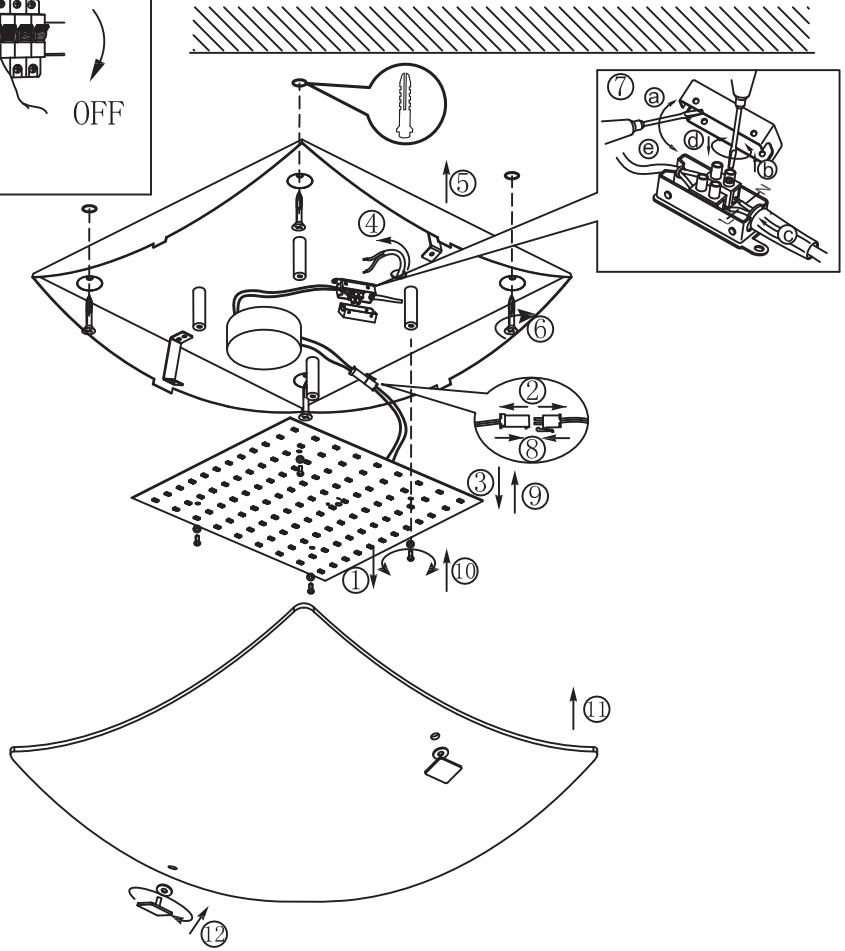
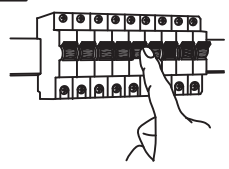


A

OFF

B

BLA31448

C

ON