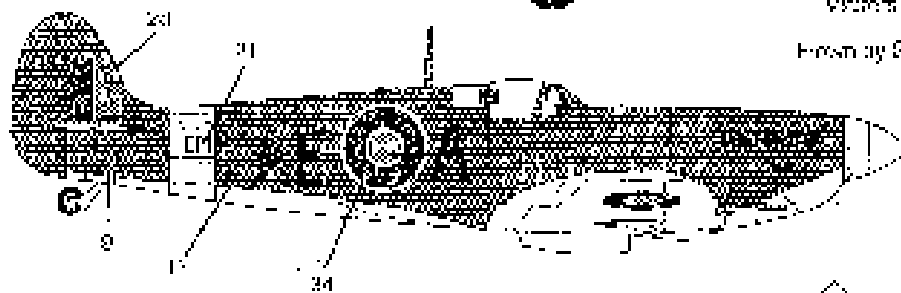
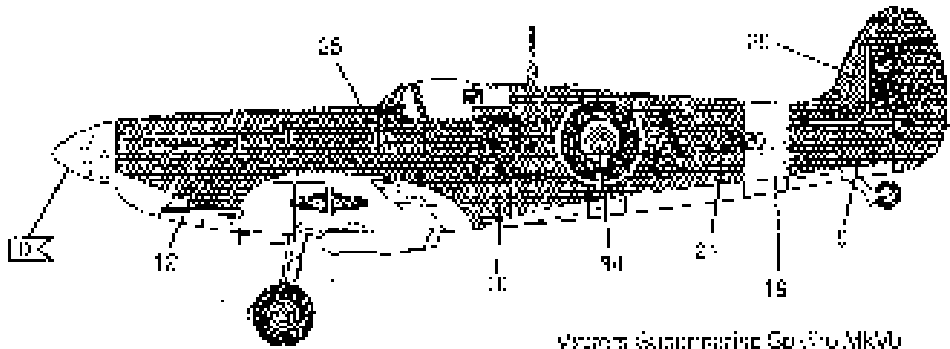
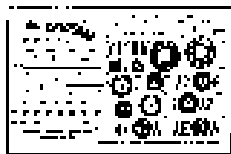
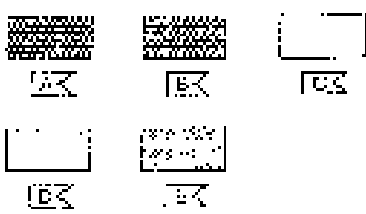
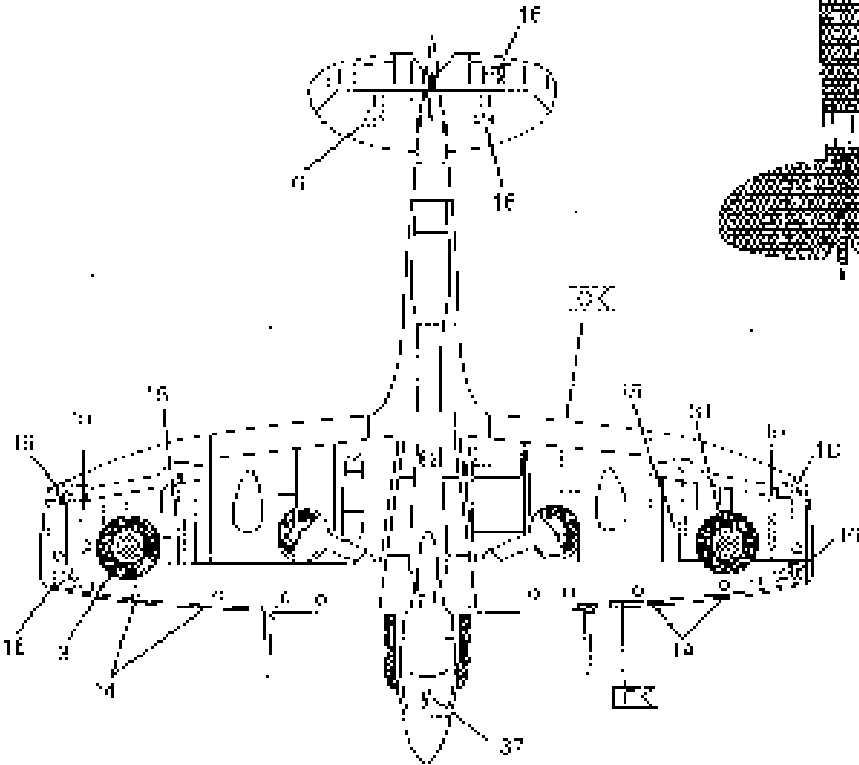
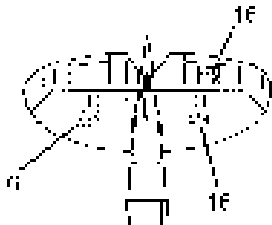
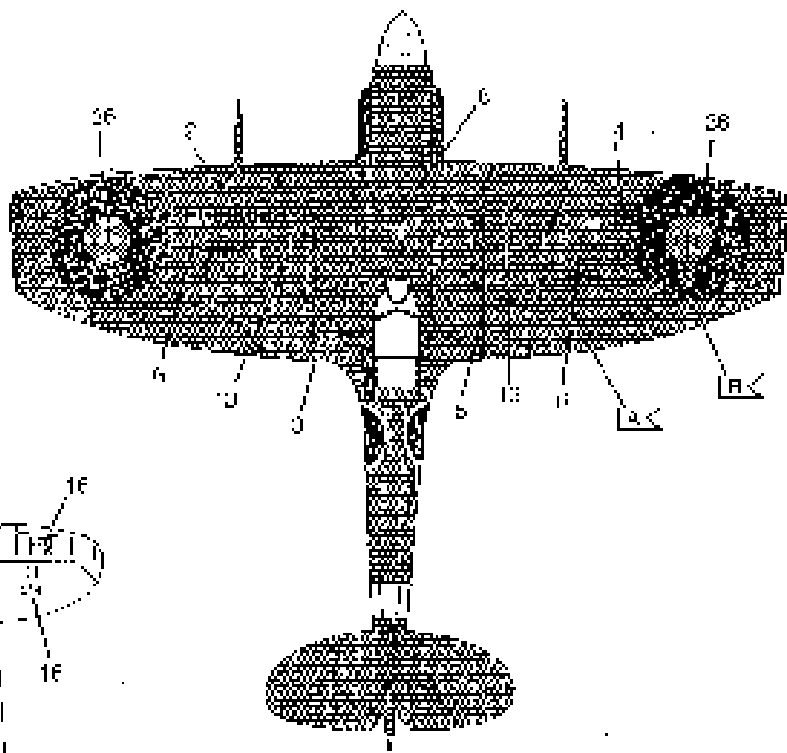


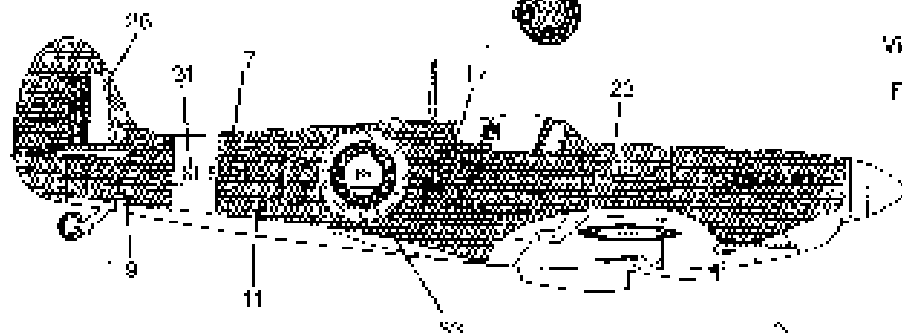
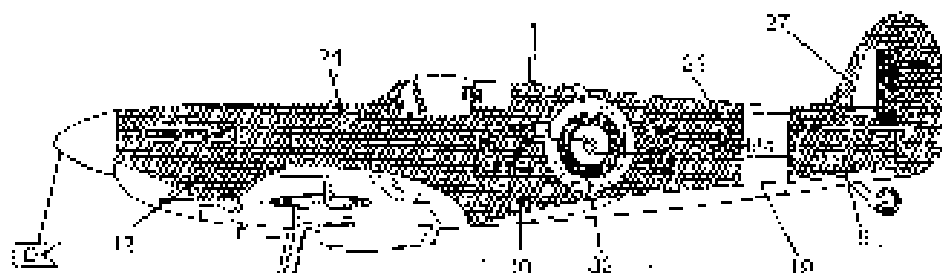
12 ?



Western Engineering Co. No. MKV  
A.C.A. 402 B.11  
Designed by G.C. Leitch, D.S.O. D.F.C.  
Duxford 1913



13 ?



Vickers biplane in ice Splice Mk.1a  
 2000 257 Bgn  
 Flown by P.O. ABE A. Swindon  
 approx 1942

