



Weerstation ·

## Weather Center WTW 5in1

**NL** Gebruikershandleiding

**DE** Besuchen Sie unsere Website über den folgenden QR Code oder Weblink um weitere Informationen zu diesem Produkt oder die verfügbaren Übersetzungen dieser Anleitung zu finden.

**EN** Visit our website via the following QR Code or web link to find further information on this product or the available translations of these instructions.

**FR** Si vous souhaitez obtenir plus d'informations concernant ce produit ou rechercher ce mode d'emploi en d'autres langues, rendez-vous sur notre site Internet en utilisant le code QR ou le lien correspondant.

**NL** Bezoek onze internetpagina via de volgende QR-code of weblink, voor meer informatie over dit product of de beschikbare vertalingen van deze gebruiksaanwijzing.

**ES** ¿Desearía recibir unas instrucciones de uso completas sobre este producto en un idioma determinado? Entonces visite nuestra página web utilizando el siguiente enlace (código QR) para ver las versiones disponibles.

**IT** Desidera ricevere informazioni esaustive su questo prodotto in una lingua specifica? Venga a visitare il nostro sito Web al seguente link (codice QR Code) per conoscere le versioni disponibili.



[www.bresser.de/P7002585](http://www.bresser.de/P7002585)



## GARANTIE · WARRANTY · GARANTÍA · GARANZIA



[www.bresser.de/warranty\\_terms](http://www.bresser.de/warranty_terms)



WEATHER UNDERGROUND

APP DOWNLOAD:



Wunder  
Station

APP DOWNLOAD:



Weather Underground is a registered trademark of The Weather Channel, LLC. both in the United States and internationally. The Weather Underground Logo is a trademark of Weather Underground, LLC. Find out more about Weather Underground at [www.wunderground.com](http://www.wunderground.com)

Apple and the Apple logo are trademarks of Apple Inc., registered in the U.S. and other countries. App Store is a service mark of Apple Inc., registered in the U.S. and other countries. Google Play and the Google Play logo are trademarks of Google Inc.

---

# Inhoud

1 Colofon .....	4
2 Toepassing.....	4
3 Eigenschappen .....	4
4 Over deze handleiding .....	5
5 Onderdelenoverzicht Basisstation .....	5
6 Onderdelenoverzicht Multisensor.....	6
7 Leveringsomvang.....	7
8 Schermweergave .....	7
9 Voor de ingebruikname.....	8
10 Eerste stappen .....	8
11 Instellen van de stroomvoorziening .....	8
12 Rubber pads bevestigen.....	9
13 Montage en installatie van de multifunctionele draadloze sensor .....	9
14 Signaaloverdracht .....	10
15 Een gebruikersaccount aanmaken voor Weather Underground (optioneel).....	10
16 Een gebruikersaccount voor weerwolken aanmaken (optioneel).....	11
17 Configuratie / Instellen van een WI-FI-verbinding .....	11
18 Automatische tijdstelling.....	12
19 Handmatige tijdstelling.....	12
20 Tijdzone instelling .....	13
21 Handmatige meetweergave .....	13
22 Technische gegevens .....	13
23 EG-verklaring van overeenstemming .....	14
24 Verwijdering als afval.....	14

---

# 1 Colofon

Bresser GmbH  
Gutenbergstr. 2  
46414 Rhede  
Germany

<http://www.bresser.de>

Voor eventuele aanspraken op garantie of serviceverzoeken verwijzen wij u naar de informatie over "garantie" en "service" in deze documentatie. Wij vragen om begrip voor het feit dat rechtstreeks aan het adres van de fabrikant gerichte vragen of opmerkingen niet kunnen worden verwerkt.

Vergissingen en technische wijzigingen voorbehouden.

© 2019 Bresser GmbH

Alle rechten voorbehouden.

De reproductie van deze documentatie - ook gedeeltelijk - in welke vorm dan ook (bijvoorbeeld fotokopie, afdruk, enz.) evenals het gebruik en de verspreiding door middel van elektronische systemen (bijv. beeldbestand, website, enz.) is zonder voorafgaande schriftelijke toestemming van de fabrikant niet toegestaan.

De in deze documentatie gebruikte termen en handelsnamen van de respectievelijke bedrijven zijn over het algemeen in Duitsland, de Europese Unie en/of andere landen goederen-, merken- en/of octroirechtelijk beschermd.

## 2 Toepassing

Deze documentatie is geldig voor de producten met de volgende artikelnummers:

7002585

**Versie van de handleiding:** v0619

**Aanduiding van deze handleiding:**

Manual\_7002585\_Weather-Center-WTW-5in1\_nl\_BRESSER\_v062019a

Deze informatie bij serviceverzoeken altijd aangeven.

## 3 Eigenschappen

- Measurement of Rainfall
- Measurement of wind speed
- Measurement of wind direction
- Internet time synchronization via PC
- Alarm with snooze function
- Outdoor temperature alarm (frost warning)
- Outdoor temperature (in °C or °F)
- Indoor temperature (in °C or °F)
- Humidity indoor/outdoor
- Barometric pressure
- Since function to display the total rainfall from a customized point in time.
- Highest and lowest value display
- Maximum/Minimum value memory
- Colour display
- Backlight

## 4 Over deze handleiding



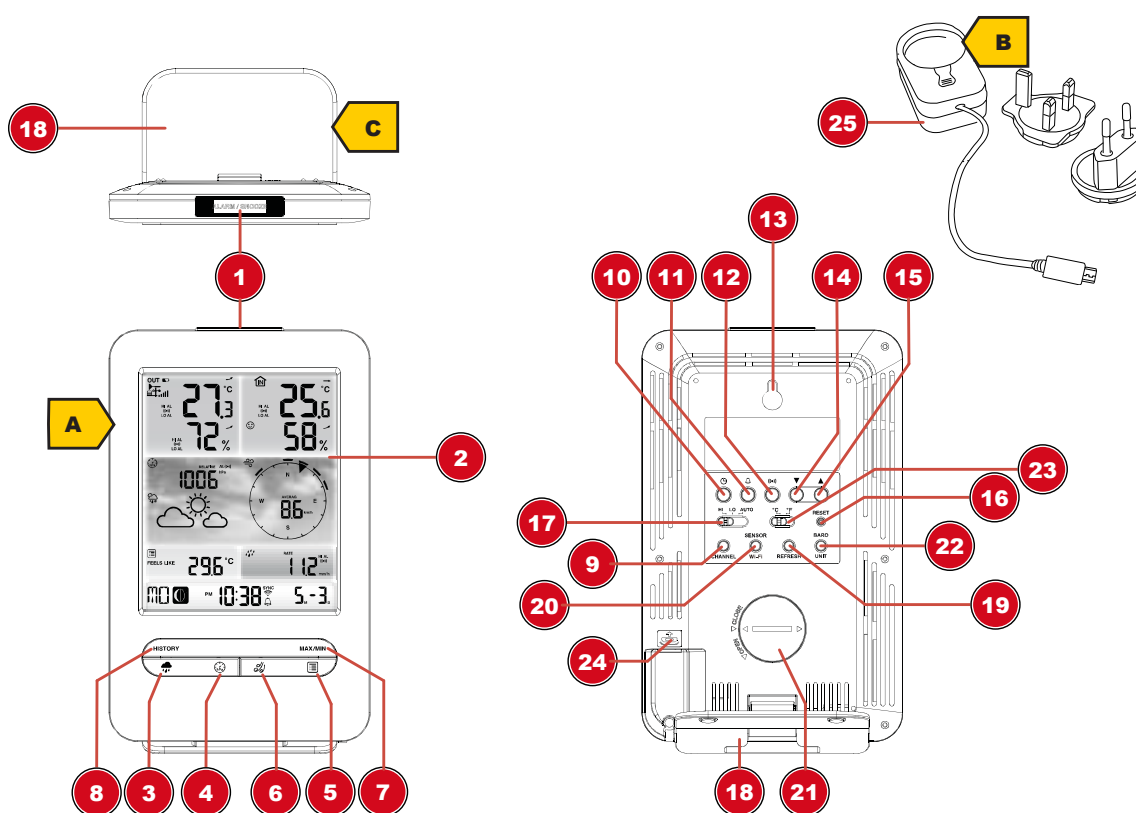
### INSTRUCTIE

Deze gebruikershandleiding moet als onderdeel van het apparaat worden beschouwd!

Lees voordat u het apparaat gaat gebruiken, zorgvuldig de veiligheidsinstructies en de gebruikershandleiding door.

Bewaar deze gebruikershandleiding voor gebruik op een later tijdstip. Bij verkoop of overdracht van het apparaat moet deze gebruikershandleiding aan elke volgende eigenaar/gebruiker van het product worden doorgegeven.

## 5 Onderdelenoverzicht Basisstation

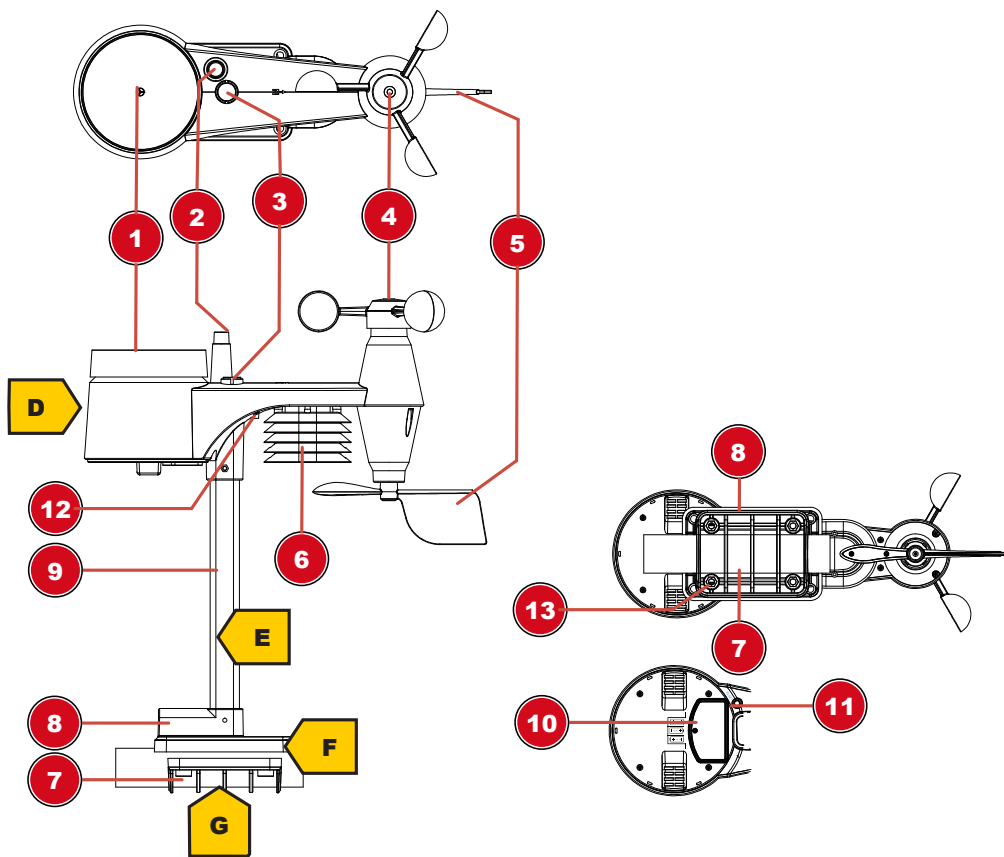


Afb. 1: All parts of the base station

1 ALARM/SNOOZE button (snooze function or interrupt alarm)	2 Colour display
3 RAIN button (display of various precipitation values)	4 BARO button (display of different atmospheric pressure values)
5 INDEX button (display change between 'feels like' temperature, dew point, heat index and wind chill index)	6 WIND button (display change between average and current gust)
7 MAX/MIN button (switch between highest, lowest or current value display)	8 HISTORY button (retrieve measurements for the past 24 hours)
9 CHANNEL button (channel selection)	10 CLOCK SET button (manual time setting)
11 ALARM button (Alarm setting)	12 ALERT button (e.g. set temperature alarm)
13 Wall mount	14 DOWN button (value setting downwards)

15 UP button (value setting upwards)	16 RESET button (reset all settings)
17 HI/LO/AUTO slider (turn on/off background lighting)	18 Stand, removable
19 REFRESH button (refreshing data manually)	20 SENSOR / WI-FI button (start manual sensor search or activate / deactivate WI-FI)
21 Battery compartment (cover)	22 BARO UNIT button (change of atmospheric pressure measurement unit)
23 °C/°F slider (display change betw. °C and °F)	24 USB socket (power supply)
25 USB power adapter	

## 6 Onderdelenoverzicht Multisensor



Afb. 2: All parts of the multisensor

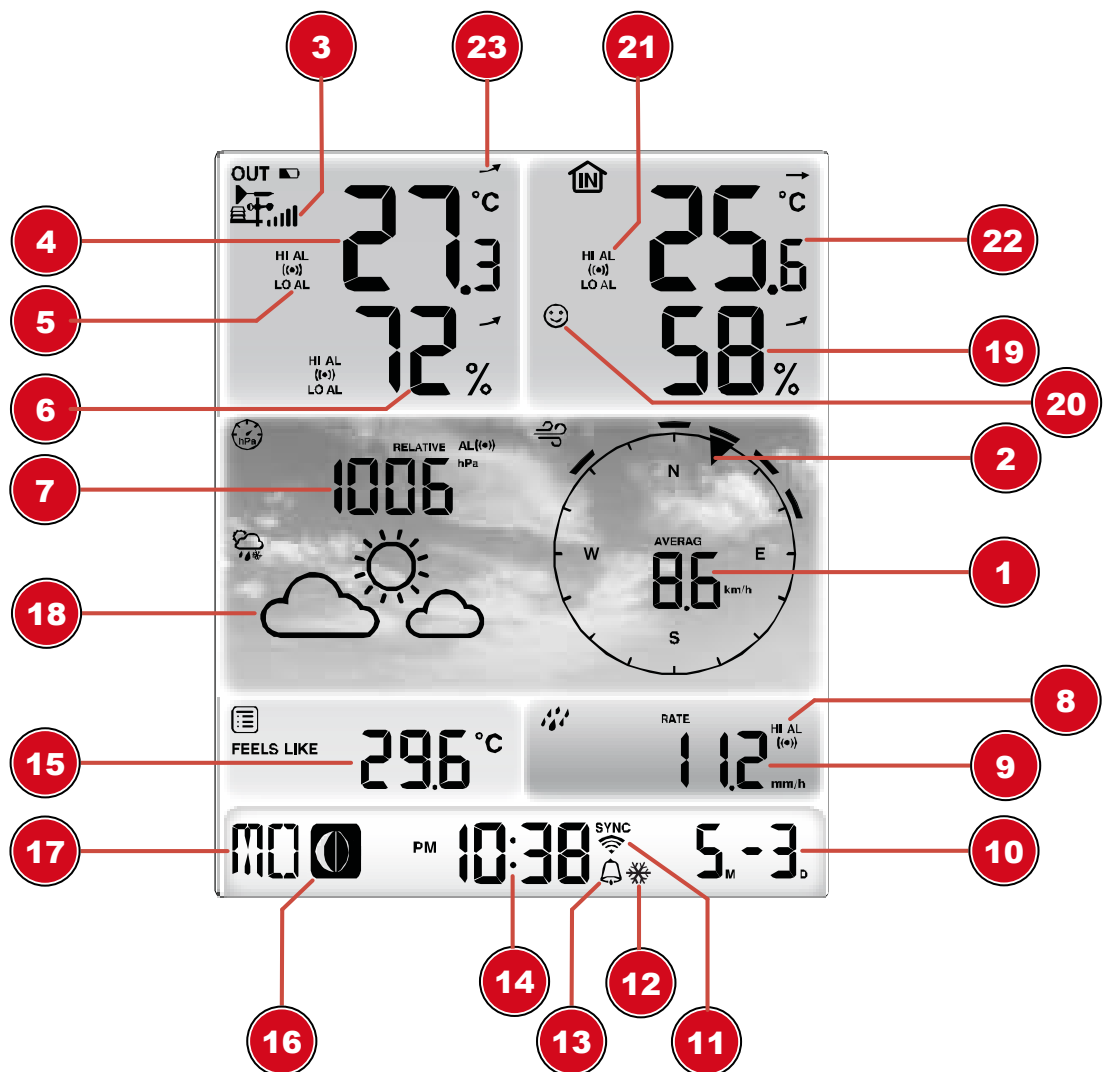
1 Rain gauge	2 Antenna
3 Circular level	4 Wind cups (wind speed)
5 wind vane (wind direction)	6 Thermo-Hygrometer
7 Pipe clamp	8 Mounting shoe
9 Mounting bar	10 Battery compartment (cover)
11 RESET button	12 LED function indicator
13 Mounting screws with nuts	

## 7 Leveringsomvang

Base station (A), USB power adapter (B) with 2 adapter attachments (EU and UK), stand (C), multi-functional outdoor sensor (D), mounting rod (E), mounting shoe (F), tube clamp (G), screws, instruction manual

**Ook benodigd (niet inbegrepen):** 3 pcs. of 1.5V AA type batteries (outdoor sensor), 1 pc. of 3V CR2032 battery (base station)

## 8 Schermweergave



Afb. 3: Screen display

1 Wind speed	2 Wind direction
3 Signal strength for outdoor sensor	4 Outdoor temperature
5 Outdoor temperature alarm enabled (HI/LO)	6 Outdoor humidity
7 Barometric pressure	8 Precipitation alarm enabled (HI/LO)
9 Precipitation amount	10 Date

11 WIFI synchronization	12 Ice alert enabled
13 Wake-up alarm enabled	14 Current time
15 Temperature felt	16 Moon phase
17 Weekday	18 Graphical weather trend display
19 Indoor humidity	20 Comfort indicator (climate)
21 Indoor temperature alarm enabled	22 Indoor temperature
23 Trend arrow (rising, constant or falling)	

## 9 Voor de ingebruikname



### INSTRUCTIE

#### Avoid connectivity disruptions!

To avoid connectivity disruptions between the devices, consider the following points before starting operation.

1. Place base station (receiver) and remote sensor (sender) together as close as possible.
2. Set up power supply for the base station and wait until the indoor temperature is displayed.
3. Set up power supply for the remote sensor.
4. Position the base station and the remote sensor within the effective transmission range.
5. Ensure that the base station and remote sensor are assigned to the same channel.

When changing batteries always change batteries in the main unit as well as all remote units and replace them in the correct order, so the remote connection can be re-established. If either of the devices is mains-powered, the power supply must be disconnected for a short moment also for this device when exchanging the batteries. If batteries are exchanged in only one of the devices (i.e. the remote sensor) the signal can't be received or can't be received correctly.

Note, that the effective range is vastly affected by building materials and position of the main and remote units. Due to external influences (various RC devices and other sources of interference), the maximum distance can be greatly reduced. In such cases we suggest to position the main unit and the remote sensor at other places. Sometimes all it takes is a relocation of one of these components of a few inches!

## 10 Eerste stappen

Follow the bullet points in order, to ensure a successful setup.

- Setting up power supply (base station and wireless sensor)
- Mount the remote sensor
- The base station is now in AP mode (LED flashes green) and ready for initial setup.
- Create a Weather Underground account and add the station to your account ("My Profile" / "Add Weather station"). Here you will receive a station ID and a password, which will be needed in the next step.
- Setting up the base station (Establish Wi-Fi / Router connection)
- Viewing weather data via web, mobile or tablet

## 11 Instellen van de stroomvoorziening

### Base unit

1. Push the appropriate plug adapter attachment onto the spigot on the mounting plate of the USB power adapter until it snaps into place.
2. Plug the MicroUSB plug into the USB connection socket on the base unit.



3. Insert the mains plug into the power outlet.
4. The device is energized directly.

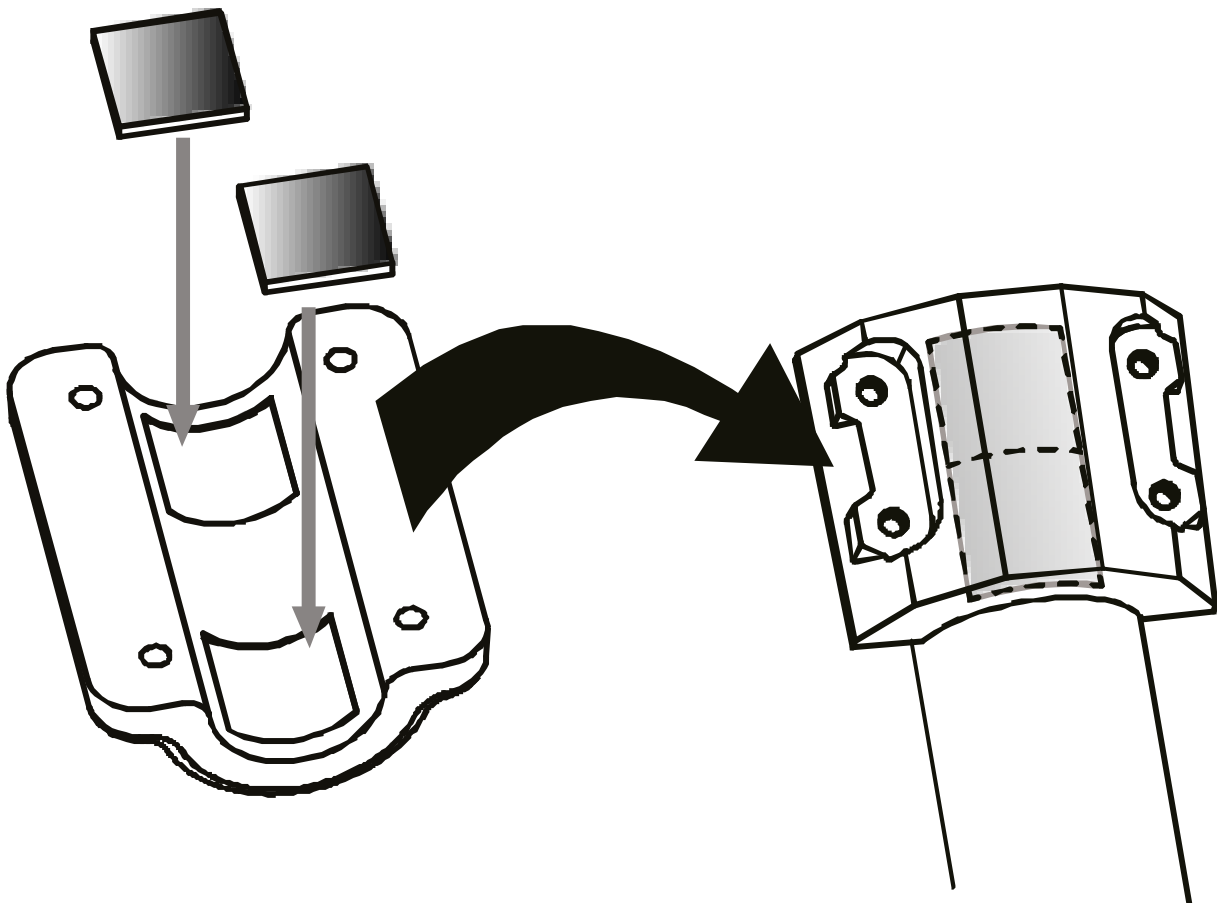
Installing the backup battery:

1. Remove the battery compartment cover.
2. Insert the battery into the battery compartment. Make sure that the battery polarity (+/-) is correct .
3. Replace the battery compartment cover.

#### **Remote sensor**

5. Loosen the screw at the battery compartment cover with a small Philips screwdriver and remove the cover.
6. Insert the batteries into the battery compartment. Ensure that the battery polarity (+/-) is correct.
7. Replace the cover and retighten it with the screw.

## 12 Rubber pads bevestigen



Attach the supplied self-adhesive rubber pads to the clamps as shown to ensure a firmer fitting of the mounting rod.

## 13 Montage en installatie van de multifunctionele draadloze sensor

Depending on the desired location, the remote sensor can be installed in two different ways.

**INSTRUCTIE! Zorg er tijdens de montage voor, dat het bovenste deel van de windvaan zich minimaal 1,5 meter boven de grond bevindt. Gebruik het waterpas in de sensor kop om een waterpasinstallatie te garanderen. De windvaan moet naar het Noorden wijzen.**

### **Assembly on a vertical or horizontal wooden element**

1. Slide one end of the assembly bar into the aperture below the sensor head.
2. Slide one screw through the bore hole and put on the nut on the opposite site. Tighten the screw connection by hand.
3. Depending on the desired orientation, slide the opposite end of the assembly bar into the aperture for vertical or horizontal mounting of the assembly base.
4. Slide another screw through the bore hole of the assembly base and put on the nut on the opposite site. Tighten the screw connection by hand.
5. Place the assembly base with its bottom site first on a wooden element. Use 4 wood screws to tighten it.

### **Assembly on a vertical or horizontal tube**

6. Repeat steps 1 to 4 as before.
7. Place the assembly base with its bottom site first on the tube. Push the tube bracket against the tube from the opposite site.
8. Slide 4 screws through the bore holes of the assembly base and through the bore holes of the tube bracket on the other site.
9. Put on the 4 nuts and tighten the screw connection by hand.

## 14 Signaaloverdracht

The base station will automatically connect to the multi outdoor sensor and (if available) to other wireless sensors. You can also press the Wi-Fi / SENSOR button to start a manual search for the remote sensors. When the connection is successful, the outdoor symbol (OUT) and/or the channel will be shown on the display.

### **Weergave van de verbindingstatus**

<b>Verbindingsstatus</b>	<b>Schermwergave</b>
Good signal	Reception symbol
Sensor searching mode	Reception symbolcon flashes
No signal over 48 hours	'Er' (Error) is shown
Sensors low battery with good signal	Battery symbol is shown

## 15 Een gebruikersaccount aanmaken voor Weather Underground (optioneel)

1. Enter the following web address in the address bar of the web browser for the 'Weather Underground' service: <https://www.wunderground.com>
2. Click on 'Join' to open registration page.
3. Type in the personal user data and click on 'Sign up'.
4. Follow the further setup steps.
5. You can add your own weather station under the menu point 'Sensor Network' > 'Connect a Weather Station'.
6. A 'Station ID' and a 'Station Key/Password' will be generated automatically by the service. They are needed for later configuration of the weather station.

**INSTRUCTIE! Gebruik een geldig e-mailadres voor registratie. Anders kan de service niet worden gebruikt.**

---

## 16 Een gebruikersaccount voor weerwolken aanmaken (optioneel)

1. Enter the following web address for the 'weathercloud' service in the address bar of the web browser: <https://weathercloud.net>
2. Type in the personal user data and click on 'Sign up'.
3. After registration and verification of the e-mail address chose the menu point 'Devices' in the user account.
4. Click on the link 'Create device' under 'Your devices' and follow the instructions to add a new device. For 'Model' chose the option 'W100 Series' under 'CCL'. For 'Link type' chose the option 'Pro Weather Link'.
5. A 'weathercloud ID' and a 'Key' will be generated automatically by the service. They are needed for later configuration of the weather station.

**INSTRUCTIE! Gebruik een geldig e-mailadres voor registratie. Anders kan de service niet worden gebruikt.**

## 17 Configuratie / Instellen van een WI-FI-verbinding

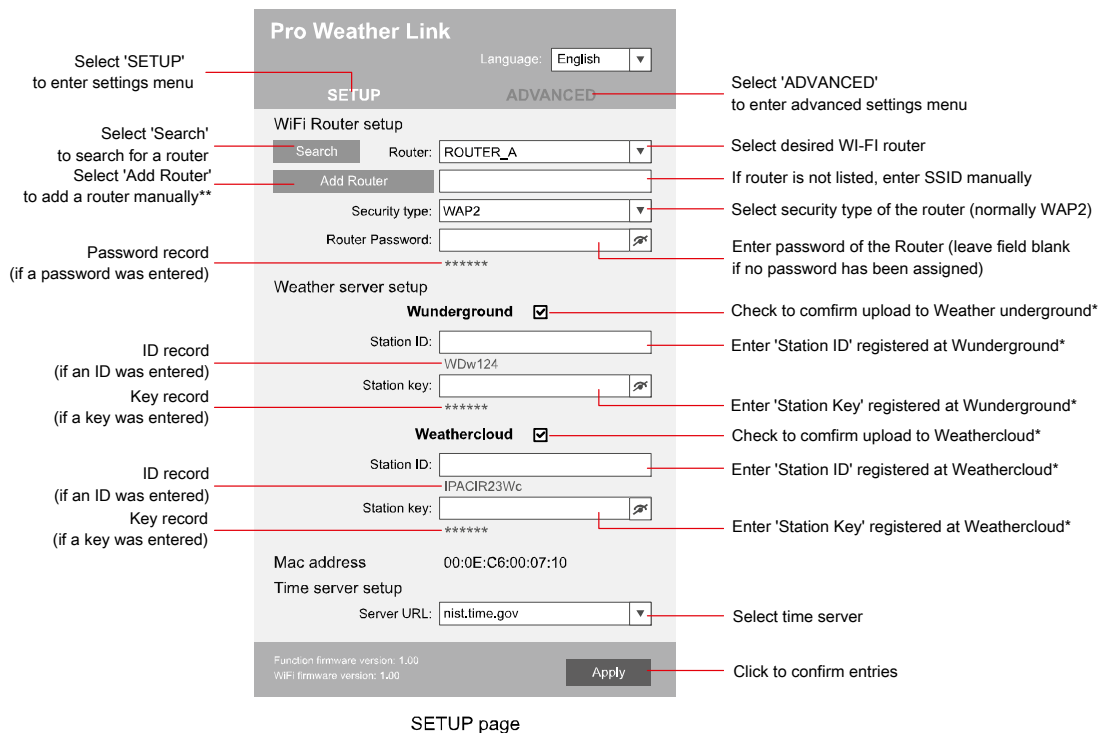
1. If the base station has not yet been connected to a router, it will switch to AP (Access Point Mode) mode after the first power supply. The display will show 'AP' and the symbol for WI-FI synchronization.
2. Use a smartphone, tablet or computer to connect to Wi-Fi.

**INSTRUCTIE! Het betreffende apparaat zelf moet ook uitgerust zijn met een WI-FI-functie.**

3. In the system settings of the device, switch to W-LAN or WI-FI settings and select the wireless network (SSID) named 'PWS-XXXXXX'.
4. After successful connection via the address bar of the web browser, enter the IP address 'http: //192.168.1.1' to establish a connection to the settings menu of the weather station.

**INSTRUCTIE! Geef altijd 'http: //' aan het IP adres om browser afhankelijke verbindingfouten te voorkomen. Aanbevolen browsers: de nieuwste versie van Chrome, Safari, Edge, Firefox of Opera.**

5. Make the following settings in the settings menu:



\*Leave field blank if registration is not yet available and entries are to be made later.  
 \*\*Manual setup requires additional router information (including e.g. IP address, SSID, etc)

6. After completing the settings, the device will recognize the default WI-FI connection after each restart.
7. In Access Point Mode, the WI-FI / SENSOR button can be pressed for 6 seconds to restore the previous settings.

#### WI-FI-verbindingstatus:

WI-FI symbol is shown in the display	WI-FI symbol flashes in the display	AP symbol flashes in the display
Connection to the WI-FI router successful	Connection to the WI-FI router not stable or ongoing connection	Access Point Mode enabled

## 18 Automatische tijdstelling

Once the power supply and internet connection is established, the time and date information (UTC Coordinated Universal Time) is transmitted by the internet time server automatically.

If the reception is correct, date and time are set automatically and the reception icon 'SYNC' is displayed.

If the time / date information has not been received or is not received correctly, proceed as follows:

1. In countries / regions whose time zone differs from the coordinated world time UTC, the time zone must be set manually (see chapter 'Set time zone ') to show the correct time.
2. Press the REFRESH button on the base unit for about 2 seconds to re-initiate retrieval of the Internet time information.
3. Check the W-LAN settings on the base unit for correctness and, if necessary, correct them so that an Internet connection can be established (see chapter, Establishing a W-LAN connection).

## 19 Handmatige tijdstelling

To set the time / date manually, first disable the reception of the time signal by pressing the RCC button for approx. 8 seconds.

1. Press and hold CLOCK SET button for approx. 3 seconds to change to time setting mode.
2. Digits to be set are flashing.
3. Press UP or DOWN button to change the value.
4. Press CLOCK SET button to confirm and continue to the next setting.
5. Settings order: time offset > daylight saving time on/off > hours > minutes > 12/24 hours mode > year > month > day > day/month display change > time synchronization on/off > language

**INSTRUCTIE! Als de tijd handmatig wordt ingesteld, moet de tijdsynchronisatie worden gedeactiveerd.**

6. Finally press the CLOCK SET button to save the settings and exit the setting mode.

**INSTRUCTIE! Druk, in de normale weergavemodus, op de toets CLOCK SET om te schakelen tussen de jaarweergave en de datumweergave. Druk, in de instelmodus, gedurende ongeveer 2 seconden op de toets CLOCK SET om terug te keren naar de normale weergavemodus.**

## 20 Tijdzone instelling

To set a different time zone, proceed as follows:

1. Press and hold CLOCK SET button for approx. 3 seconds to change to time setting mode. The current value for the time offset flashes.
2. Press up or DOWN button to set the desired hour value (0 to 10 hours) for the time offset.
3. Finally press the CLOCK SET button for approx. 3 seconds to save the settings and exit the setting mode.

## 21 Handmatige meetweergave

1. Press MAX/MIN button several times to display the stored values one after another.
2. Display order: Current values > MAX (highest values) > MIN (lowest values)
3. When highest or lowest values are displayed, press and hold MAX/MIN button for approx. 3 seconds to switch temperature unit display from °C to °F or reverse.

**INSTRUCTIE! Opgeslagen, hoogste en laagste waarden, worden elke dag om 0:00 uur automatisch verwijderd!**

## 22 Technische gegevens

### Basisstation

Power supply	DC 5V 1A mains adapter Type: YLJXC-050100
Temperature measuring range	-5°C – 50°C
Dimensions	79 x 157 x 41 mm (W x H x D)
Weight	130 g

### Multisensor

Batteries	3x AA, 1.5V
Emergency power supply	Solar panel
Maximum number of sensors	1x wireless multisensor 1x wireless indoor sensor (optional)
RF Transmission frequency	868Mhz
RF Transmission range	150 m
Maximum transmission power	< 25mW

Temperature measuring range	-40°C – 60°C (-40°F – 140°F)
Barometer measuring range	540 – 1100hPa (Relative Reichweite: 930 – 1050hPa)
Humidity measuring range	1 – 99%
Humidity resolution	1% HR
Precipitation measuring range	0 – 19999 mm (0 – 787.3 inch)
Wind speed measuring range	0 – 112 mph, 50 m/s, 180km/h, 97 knots
UV Index Range	1 – 16
Dimensions	392.2 x 326 x 144.5 mm (B x H x T)
Weight	1096g

#### Wi-Fi specificaties

Wi-Fi Standard	802.11 b/g/n
Wi-Fi Operating frequency	2.4 GHz
Supported devices	Smart devices with built-in Wi-Fi AP mode (Access Point) function, PCs or laptops, Android or iOS Smartphones/Tablets
Supported Internet browsers	Internet browsers that support HTML 5

## 23 EG-verklaring van overeenstemming

Hierbij verklaart Bresser GmbH dat het radioapparaat met artikelnummer 7002585 voldoet aan de richtlijn 2014/53 / EU. De volledige tekst van de EU conformiteitsverklaring is beschikbaar op het volgende internetadres: [www.bresser.de/download/7002585/CE/7002585\\_CE.pdf](http://www.bresser.de/download/7002585/CE/7002585_CE.pdf)

## 24 Verwijdering als afval



Verwijder het verpakkingsmateriaal gesorteerd. Informatie over een juiste verwijdering van het afval is te verkrijgen bij het plaatselijke afvalverwerkingsbedrijf of de milieudienst.



Batterijen en accu's mogen niet worden weggegooid bij het huishoudelijk afval. U bent wettelijk verplicht om gebruikte batterijen en accu's in te leveren. U kunt de batterijen na gebruik hetzij bij ons verkooppunt, hetzij bij u in de buurt (bijvoorbeeld bij een winkel of gemeentelijke verzamelpunten) gratis inleveren.

Batterijen en accu's zijn voorzien van een doorgekruiste vuilnisbak en het chemische symbool voor de schadelijke stof, "Cd" staat voor cadmium, "Hg" voor kwik en "Pb" voor lood.



## Service

**DE AT CH BE**

Bei Fragen zum Produkt und eventuellen Reklamationen nehmen Sie bitte zunächst mit dem Service-Center Kontakt auf, vorzugsweise per E-Mail.

**E-Mail:** [service@bresser.de](mailto:service@bresser.de)  
**Telefon\*:** +49 28 72 80 74 210

BRESSER GmbH  
Kundenservice  
Gutenbergstr. 2  
46414 Rhede  
Deutschland

\*Lokale Rufnummer in Deutschland (Die Höhe der Gebühren je Telefonat ist abhängig vom Tarif Ihres Telefonanbieters); Anrufe aus dem Ausland sind mit höheren Kosten verbunden.

**GB IE**

Please contact the service centre first for any questions regarding the product or claims, preferably by e-mail.

**e-mail:** [service@bresseruk.com](mailto:service@bresseruk.com)  
**Telephone\*:** +44 1342 837 098

BRESSER UK Ltd  
Unit 1 starborough Farm,  
Starborough Road, Nr Marsh Green,  
Edenbridge, Kent TN8 5RB  
Great Britain

\*Number charged at local rates in the UK (the amount you will be charged per phone call will depend on the tariff of your phone provider); calls from abroad will involve higher costs.

**FR BE**

Si vous avez des questions concernant ce produit ou en cas de réclamations, veuillez prendre contact avec notre centre de services (de préférence via e-mail).

**e-mail:** [sav@bresser.fr](mailto:sav@bresser.fr)  
**Téléphone\*:** +33 494 592 599

BRESSER France SARL  
Pôle d'Activités de Nicopolis  
260, rue des Romarins  
83170 Brignoles  
France

\*Prix d'un appel local depuis la France ou Belgique

**NL BE**

Als u met betrekking tot het product vragen of eventuele klachten heeft kunt u contact opnemen met het service centrum (bij voorkeur per e-mail).

**e-mail:** [info@folux.nl](mailto:info@folux.nl)  
**Téléfono\*:** +31 528 23 24 76

Folux B.V.  
Smirnoffstraat 8  
7903 AX Hoogeveen  
Nederlands

\*Het telefoonnummer wordt in het Nederland tegen lokaal tarief in rekening gebracht. Het bedrag dat u per gesprek in rekening gebracht zal worden, is afhankelijk van het tarief van uw telefoon provider; gesprekken vanuit het buitenland zullen hogere kosten met zich meebrengen.

**ES CA PT**

Si desea formular alguna pregunta sobre el producto o alguna eventual reclamación, le rogamos que se ponga en contacto con el centro de servicio técnico (de preferencia por e-mail).

**e-mail:** [servicio.iberia@bresser-iberia.es](mailto:servicio.iberia@bresser-iberia.es)  
**Téléfono\*:** +34 91 67972 69

BRESSER Iberia SLU  
c/Valdemorillo,1 Nave B  
P.I. Ventorro del cano  
28925 Alcorcón Madrid  
España

\*Número local de España (el importe de cada llamada telefónica dependen de las tarifas de los distribuidores); Las llamadas des del extranjero están ligadas a costes suplementarios.