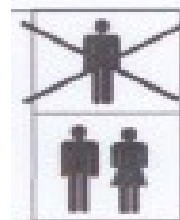
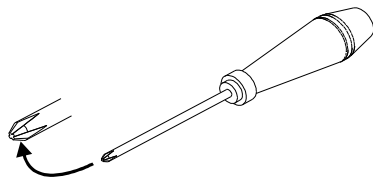
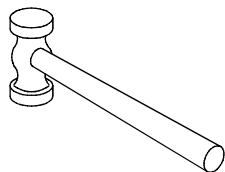
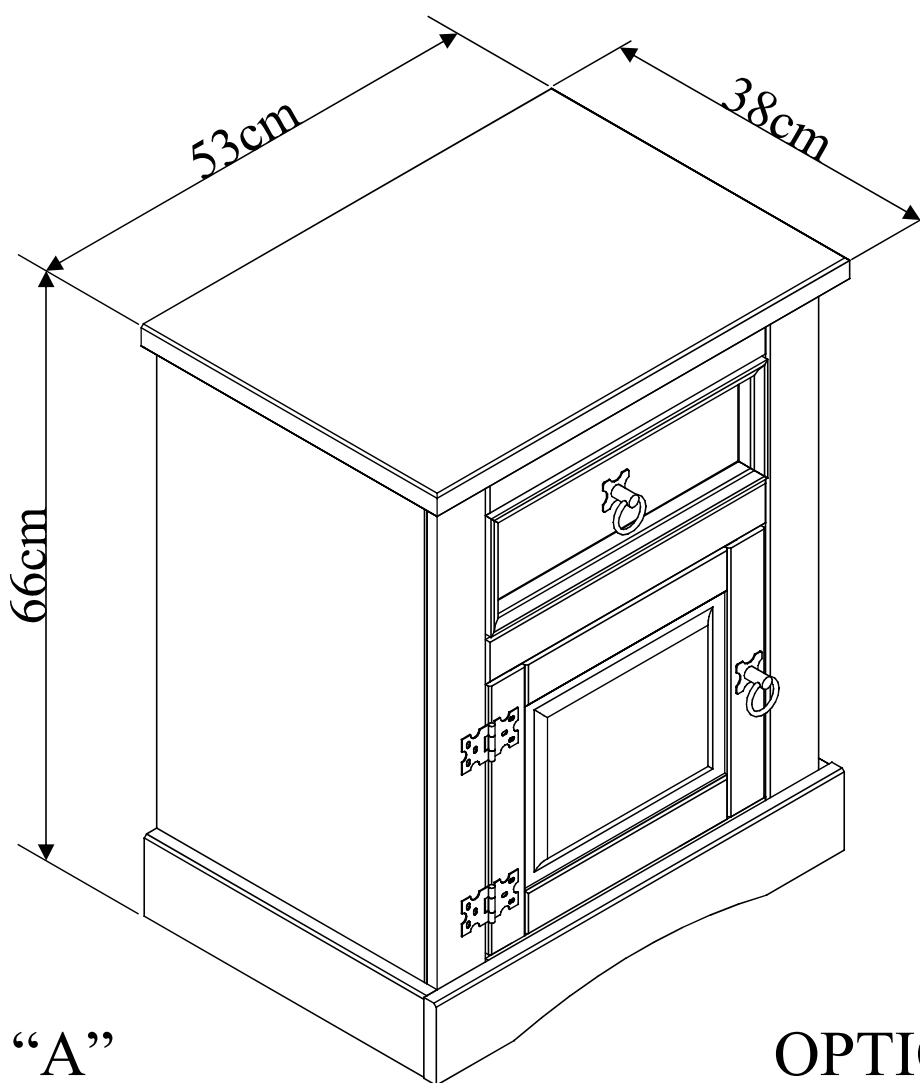


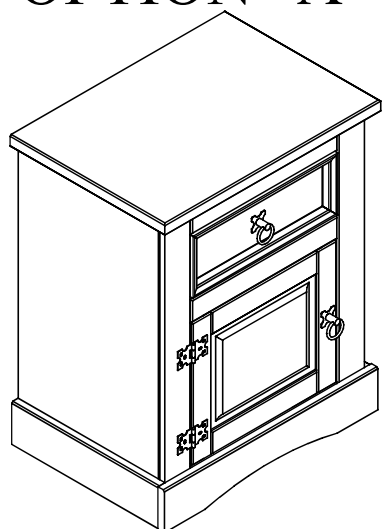
24-3796/ 24-3797 / 24-3798



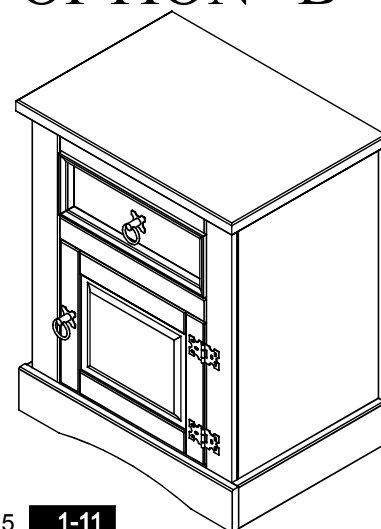
1:00 h

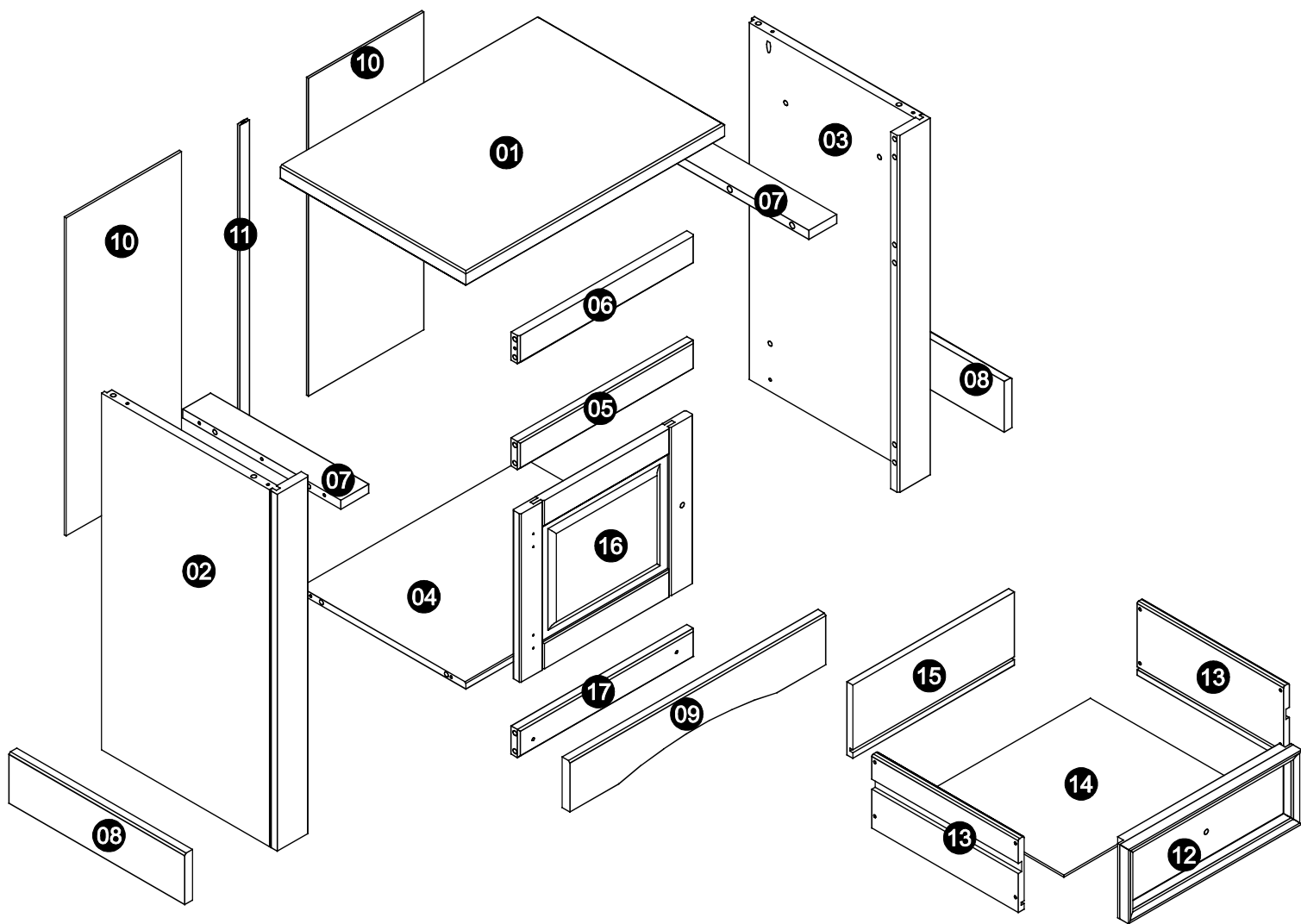


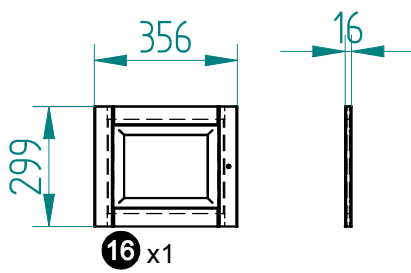
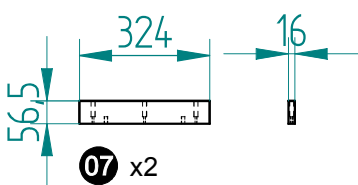
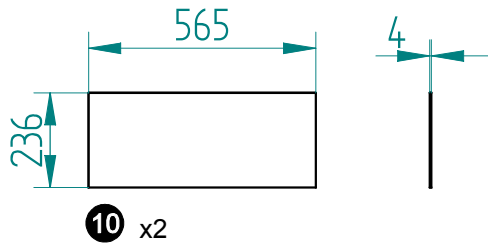
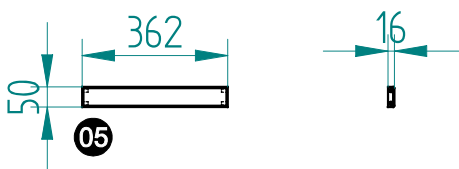
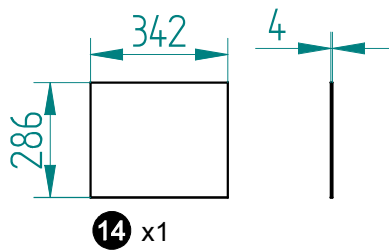
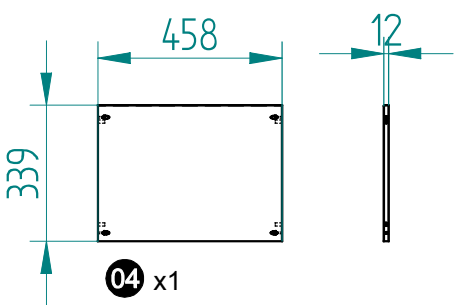
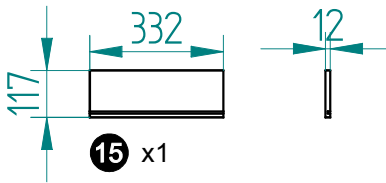
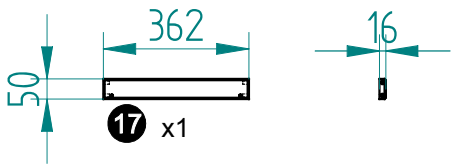
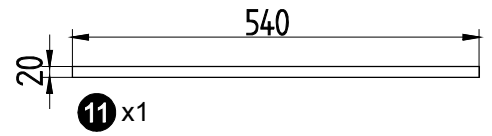
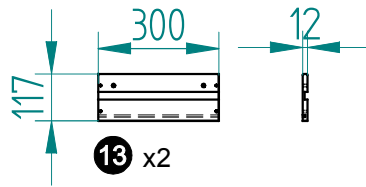
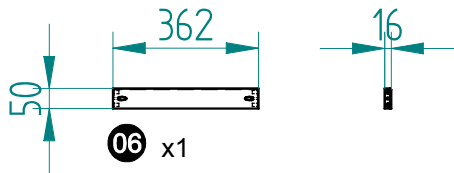
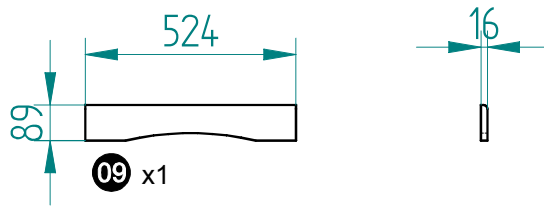
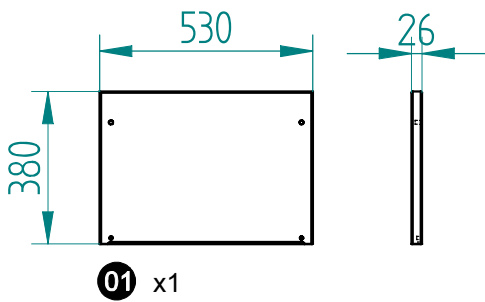
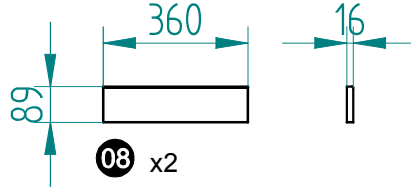
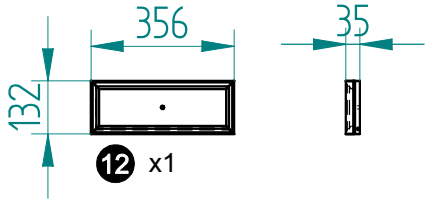
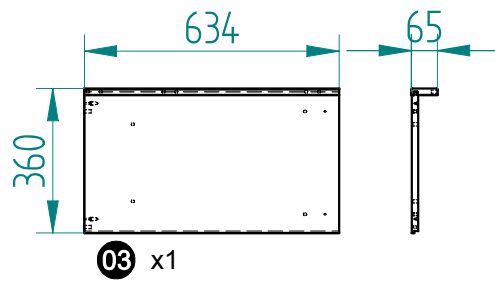
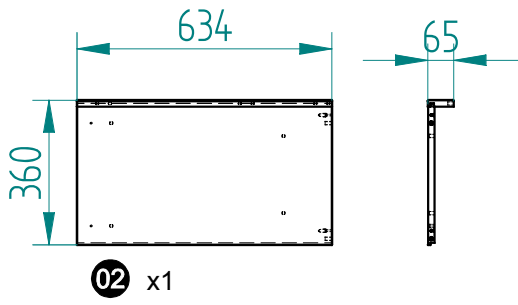
OPTION "A"




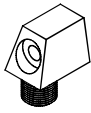
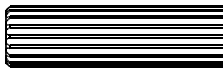

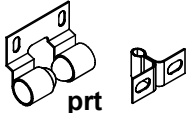


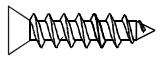
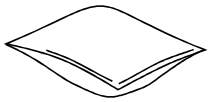
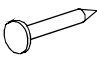


OPTION "B"

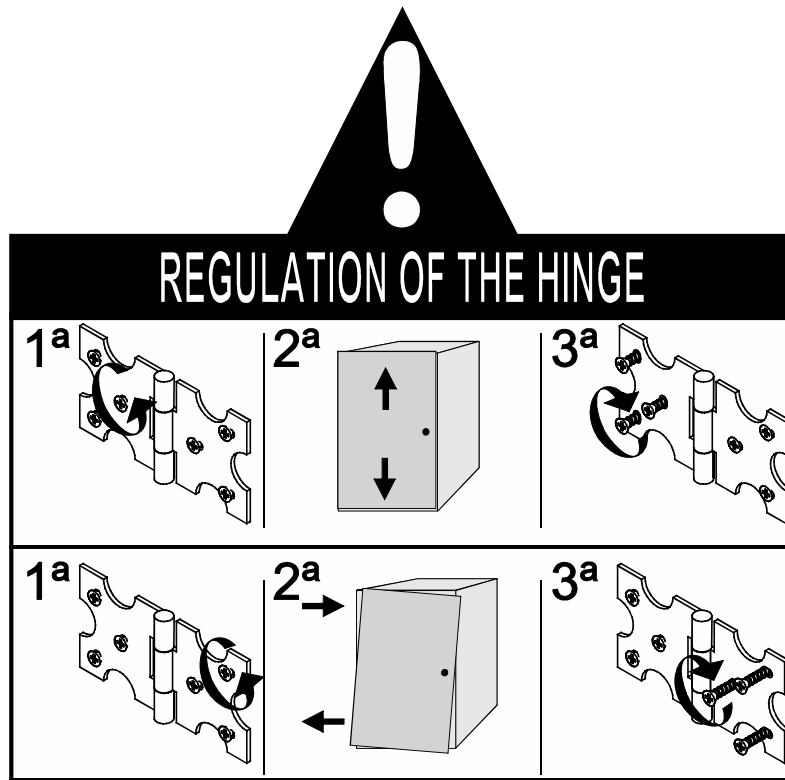




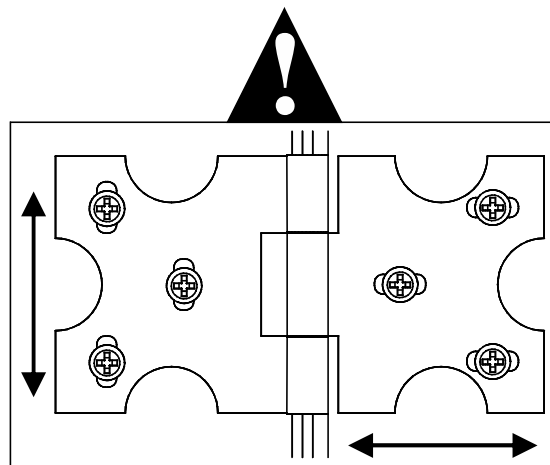


<p>A x 20</p>  <p>4,5X28</p>	<p>B x 12</p>  <p>3,5X14 prt</p>	<p>C x 02</p>  <p>3,5X25</p>	<p>D x 04</p> 	<p>E x 26</p>  <p>8,0x25</p>
<p>F x 02</p> 	<p>G x 01</p>  <p>prt</p>	<p>H x 02</p>  <p>32x32</p>	<p>J x 08</p>  <p>3,5X30</p>	<p>K x 04</p>  <p>3,0X16 prt</p>
<p>L x 01</p>  <p>20g</p>	<p>Z x 18</p>  <p>8 X 8</p>			



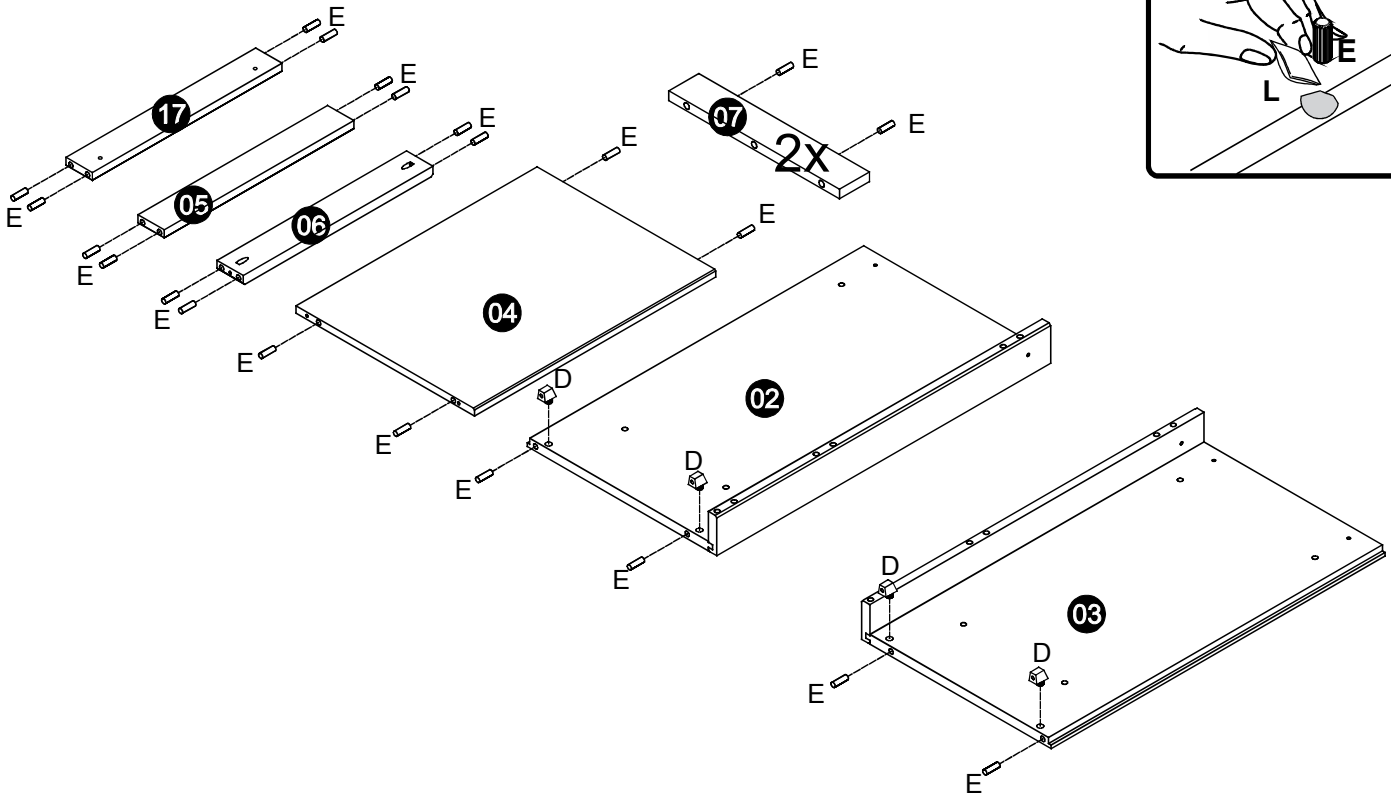
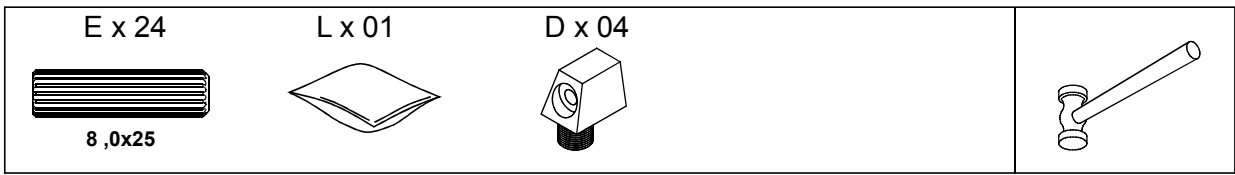


Cabinet
 Schrankseite
 Skabsside

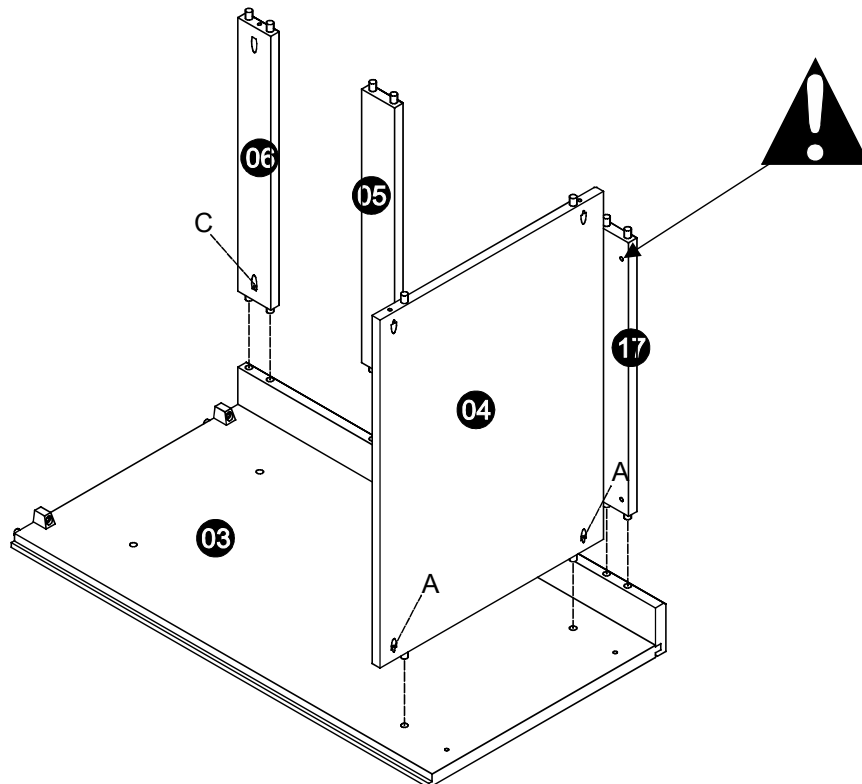


Door
 Schranktür
 Låge

1



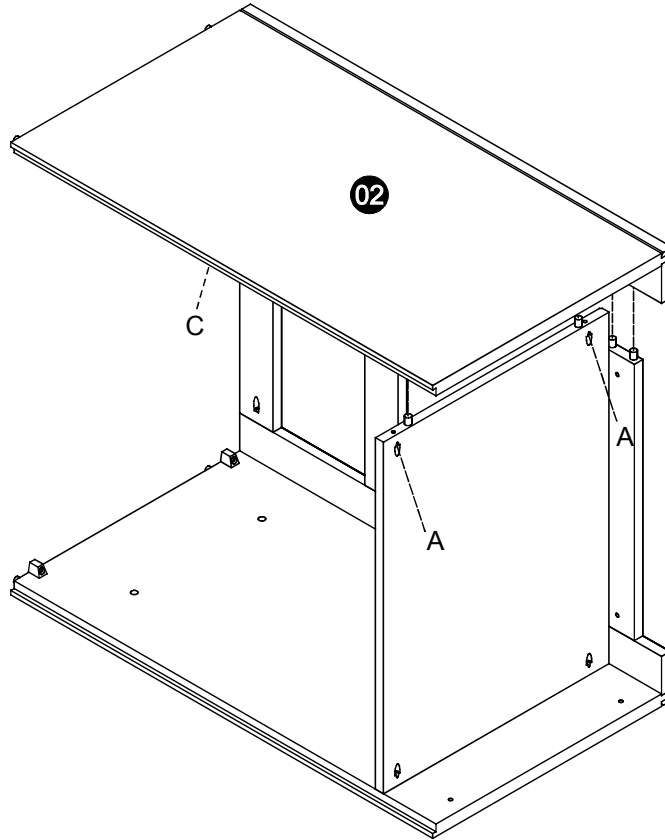
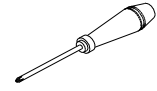
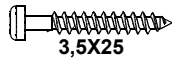
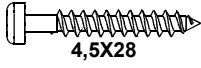
2



3

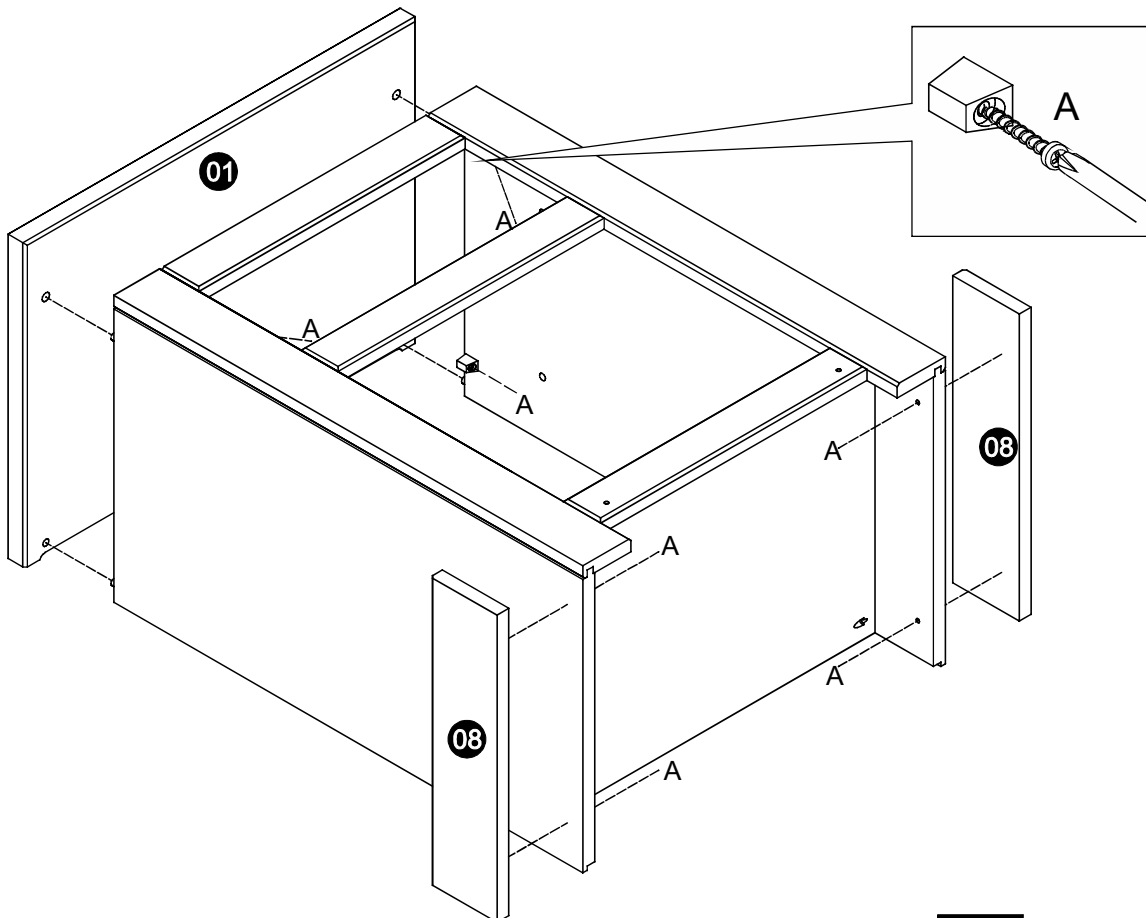
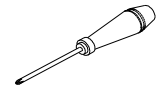
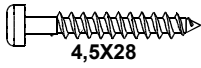
A x 02

C x 01



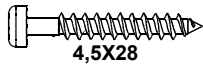
4

A x 08

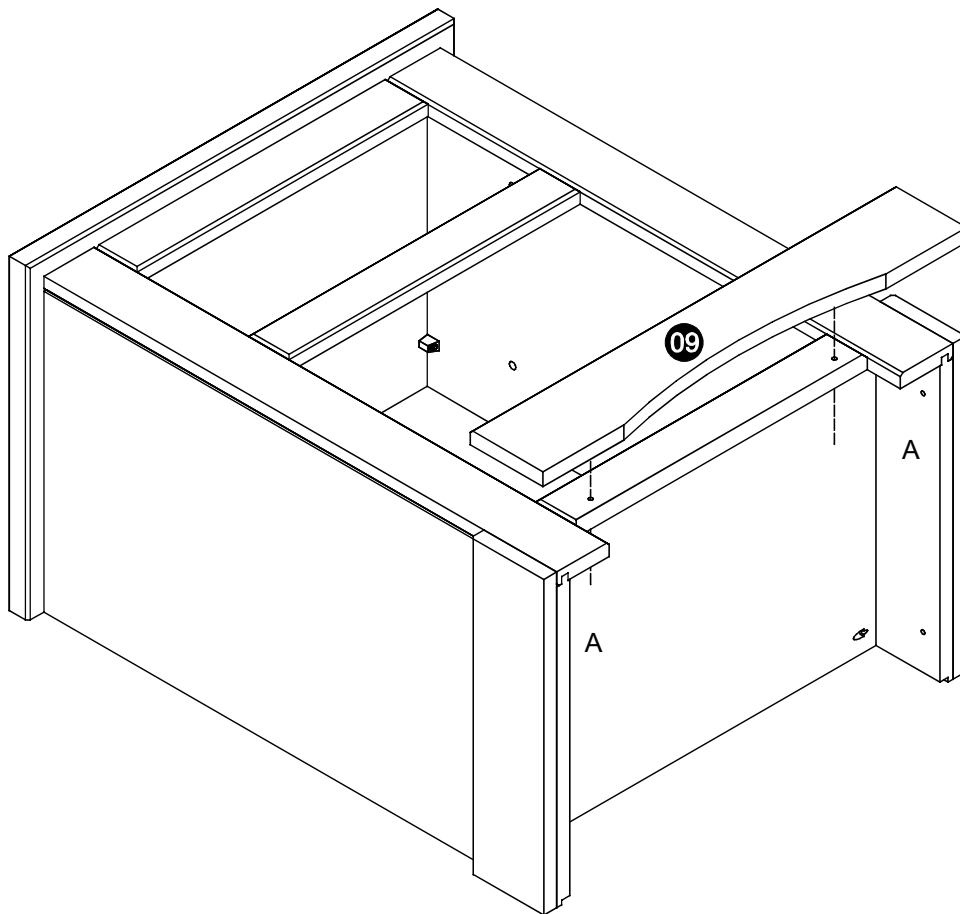
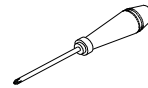


5

A x 02

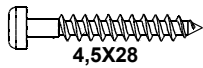


4,5X28

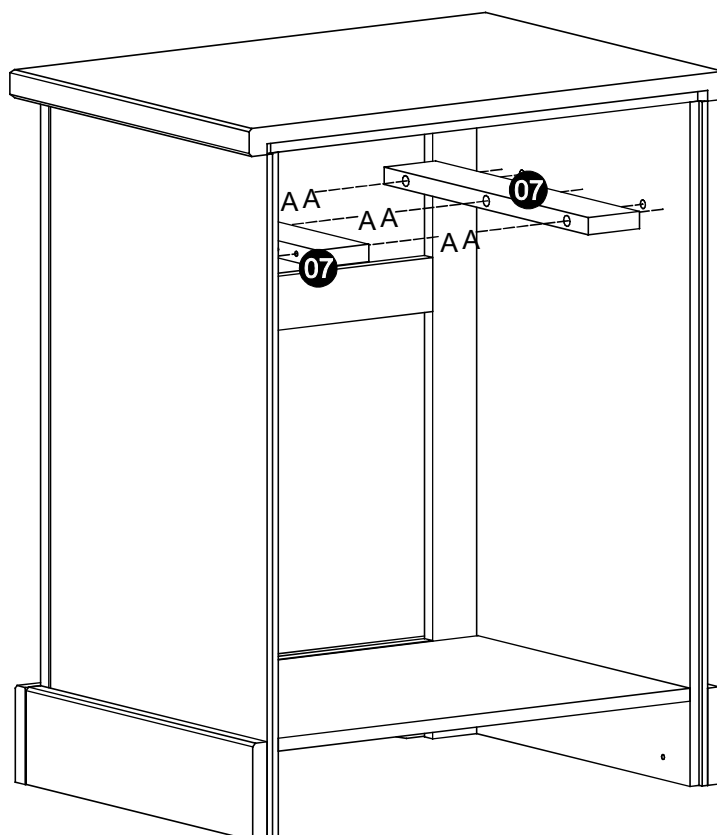
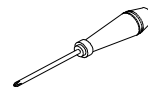


6

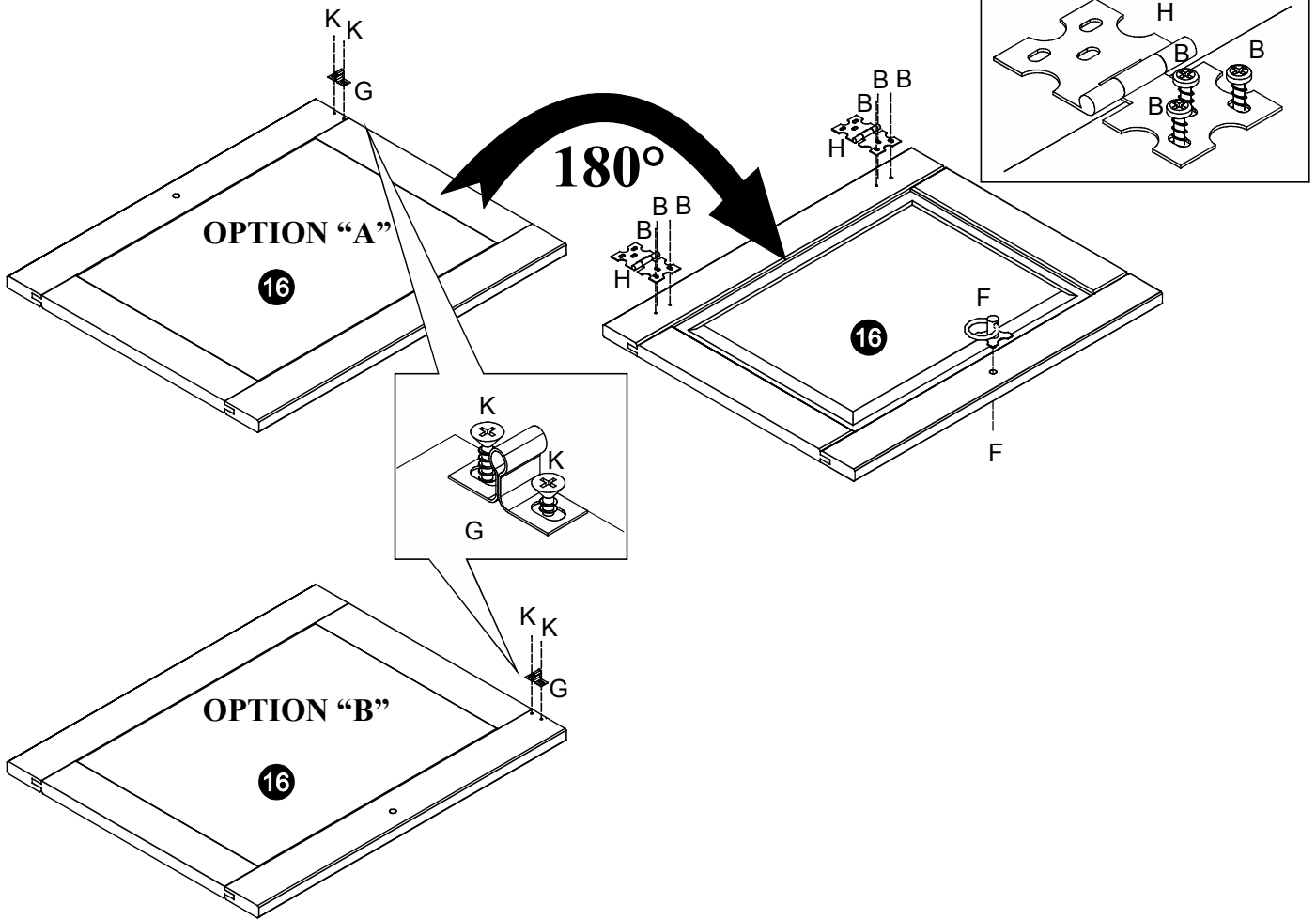
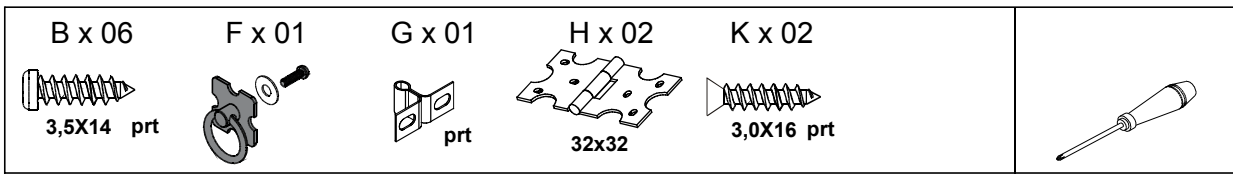
A x 06



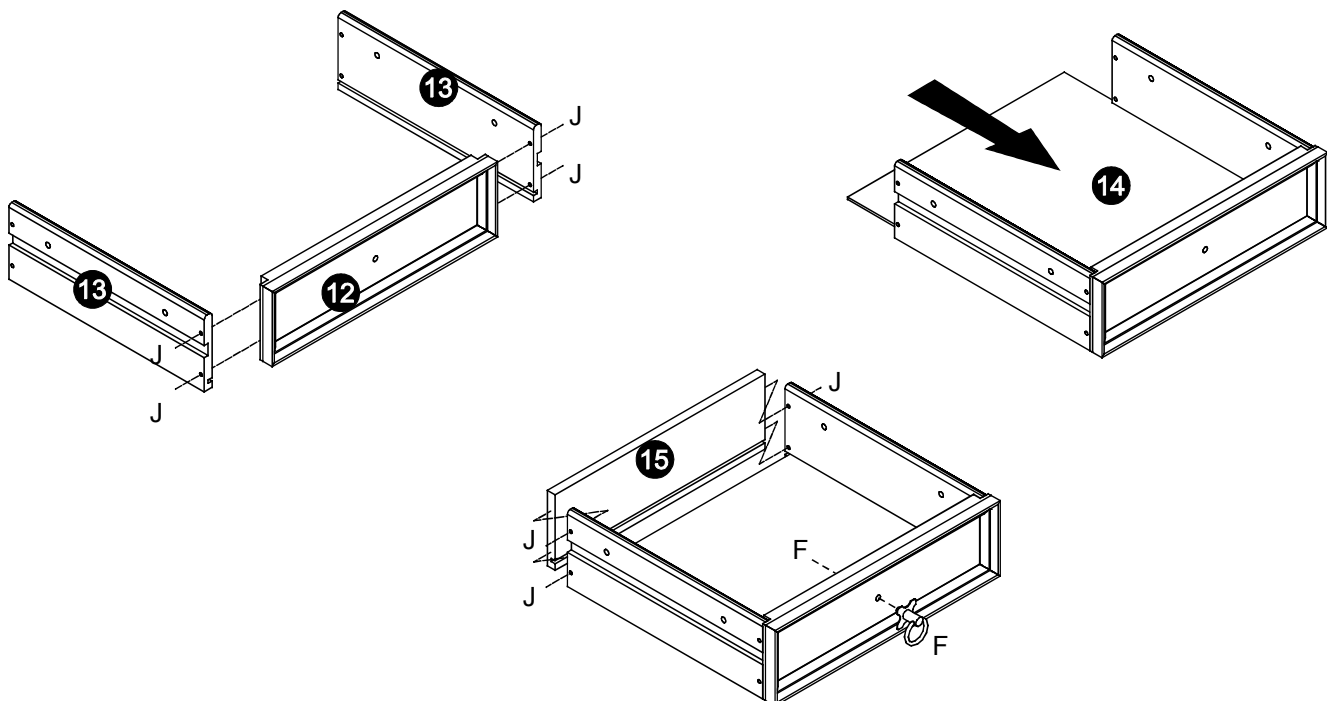
4,5X28



7



8

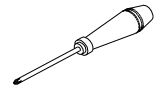


9

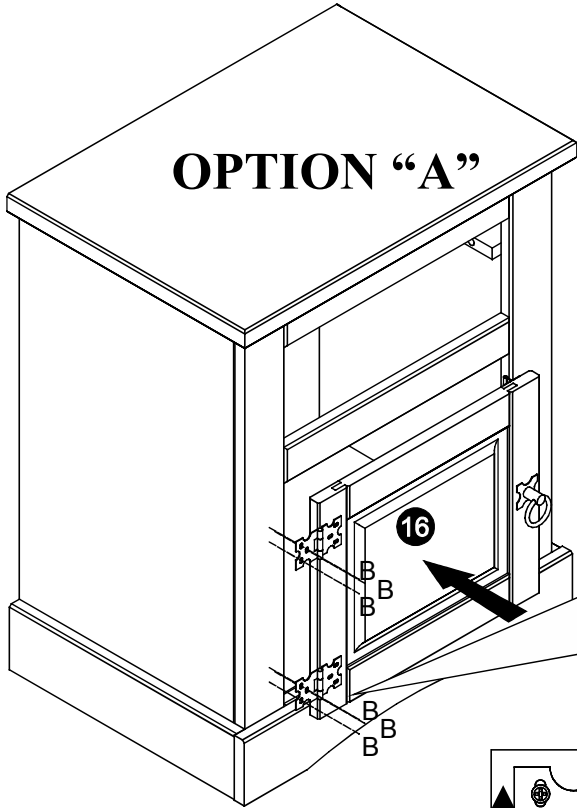
B x 06



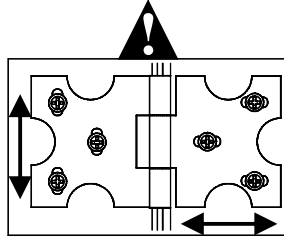
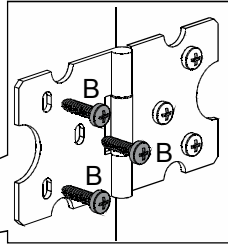
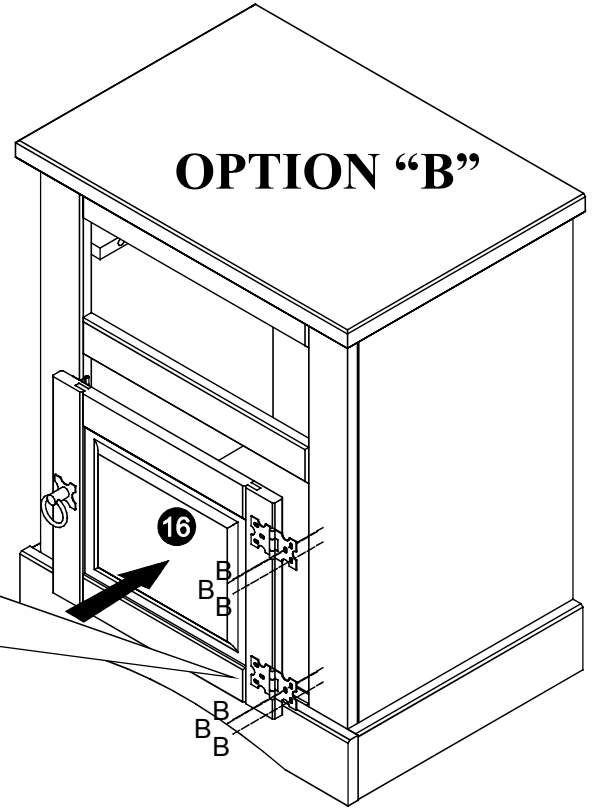
3,5X14 prt



OPTION "A"



OPTION "B"

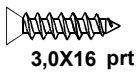


NOTE: 90 degree in this drawing

10

K x 02

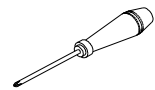
G x 01



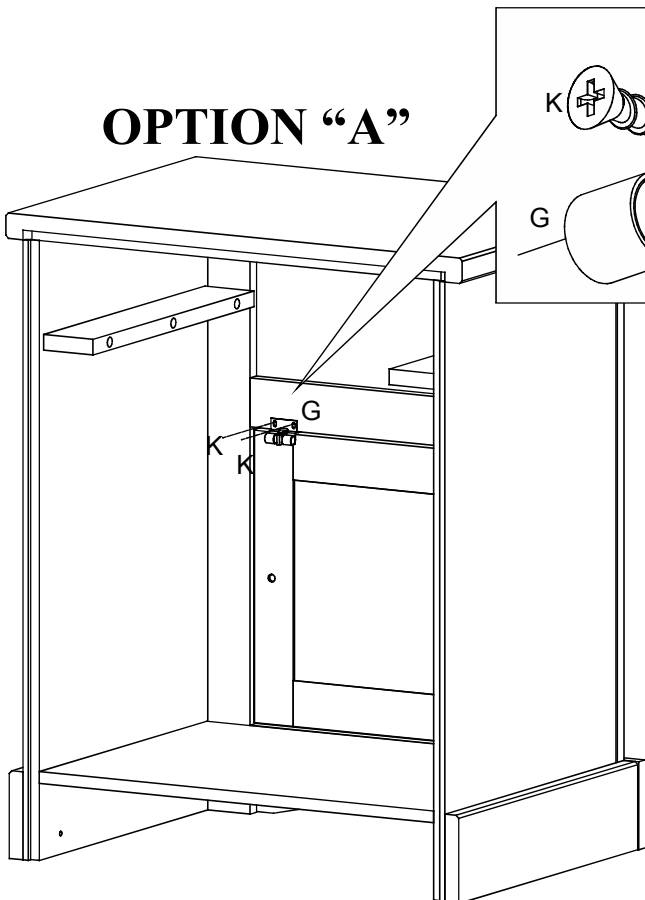
3,0X16 prt



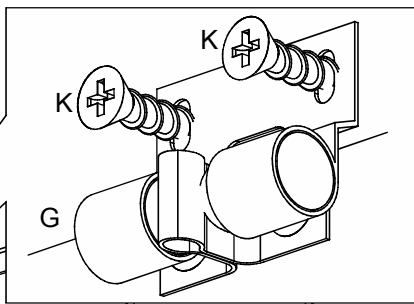
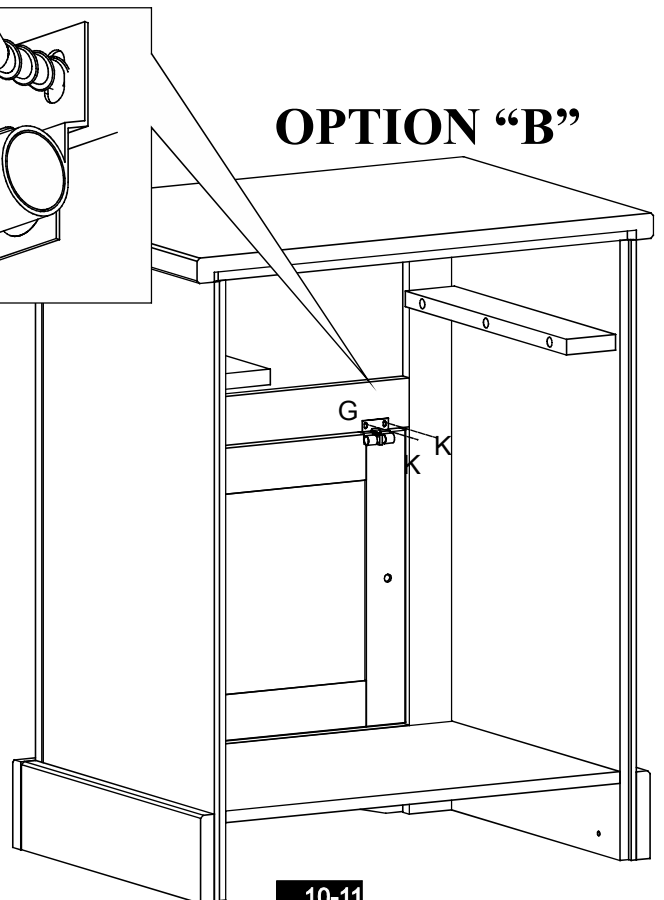
prt



OPTION "A"



OPTION "B"

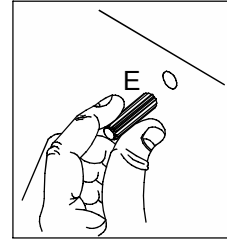
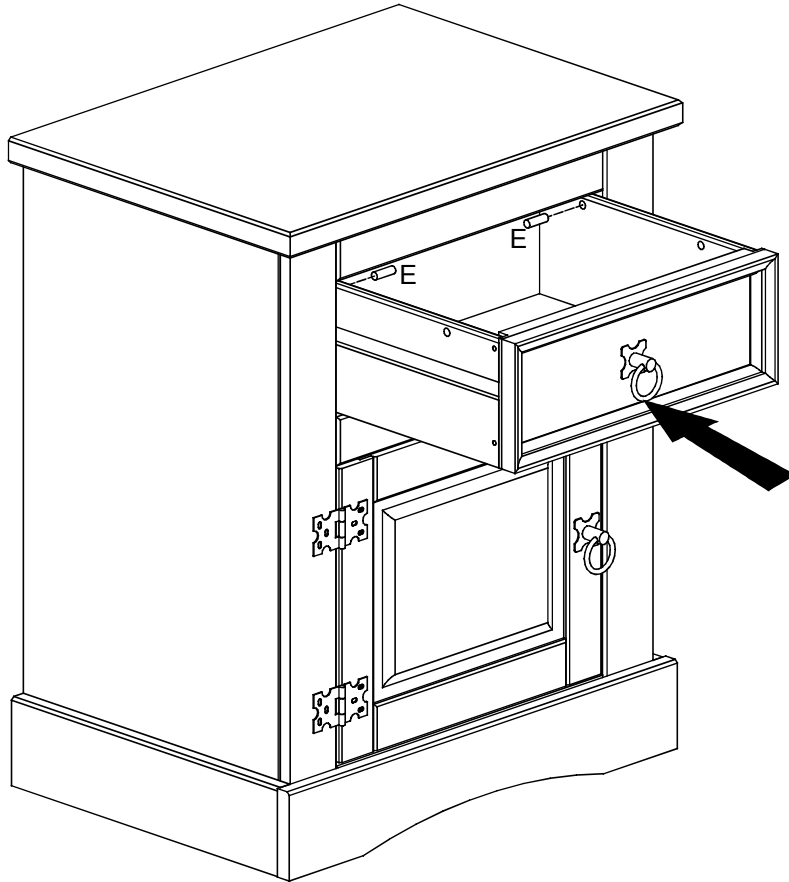
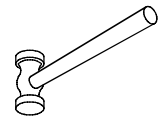


11

E x 02



8,0x25



12

Z x 18



8 X 8

