

# DENVER<sup>®</sup> ELECTRONICS

## AM/FM RADIO

**Model: DENVER TR-54 BLACK MK2**

### Operating Instructions



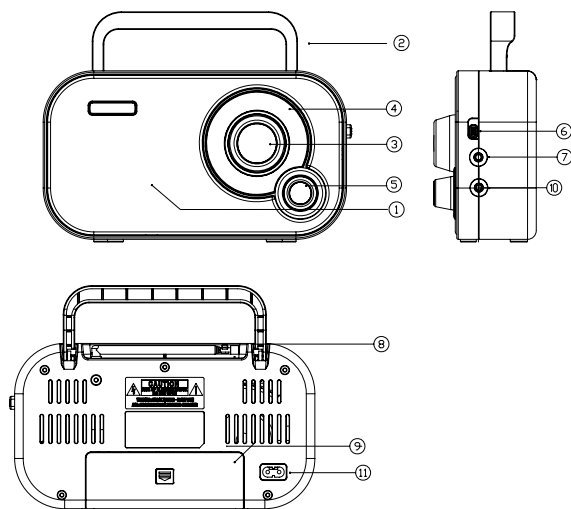
[www.facebook.com/denverelectronics](http://www.facebook.com/denverelectronics)



**BEFORE OPERATING THIS PRODUCT, READ, UNDERSTAND, AND FOLLOW THESE INSTRUCTIONS.**

Be sure to save this booklet for future reference.

## **COMPONENTS**



1. Speaker
2. Carrying handle
3. Frequency turning
4. Frequency display
5. VOLUME ON/OFF
6. AM /FM BAND SWITCH
7. Aux in jack
8. Telescopic antenna
9. Battery compartment
10. Headphone jack
11. AC Socket

## **INSERTING THE BATTERIES**

1. Before inserting the batteries, the unit must be turned off and unplugged.  
The power cable must be disconnected from the connector jack AC 230V, otherwise battery operation is not possible.
2. Open the battery compartment **(9)** on the unit's bottom side.
3. Insert 4 batteries, type 1.5V AA.  
Heed the correct polarity of all batteries as indicated in the battery compartment.
4. Close the battery compartment. The unit is ready for use.

## **OPERATING THE RADIO**

1. Set the frequency band with the frequency band switch **AM FM (3)** .  
When using (FM) frequency band, pull out the telescopic antenna **(8)** completely.  
Reception can be improved by turning the radio and adjusting the antenna.

An internal ferrite antenna is installed for receiving MW (AM) stations.

To improve reception of MW (AM) stations, turn the radio appropriately.

2. To turn on the radio, turn the dial **VOLUME OFF (5)** in direction **VOLUME**.
3. Increase the volume by turning the dial **VOLUME OFF** in direction **VOLUME**.
4. Set the desired frequency, which can be seen in the frequency display **(4)**, by turning the dial **TUNING**.
5. Carry the unit by the carrying handle **(2)**.
  
6. To turn off the radio, turn the dial **VOLUME OFF** in direction **OFF** as far as it will go.

### **AUX in jack**

An external playing device (e.g. MP3 player) can be connected to this device using the AUX connection and music can be played back via the speakers. Attention: Before connecting your playing device, always observe its instructions regarding the safety information and use.

Switch off the device and its external playing device.

### **HEADPHONE JACK**

Headphones with a 3.5 mm jack plug can be connected to the headphone jack (10). The speaker **(1)** is muted automatically when connecting headphones. Set the headphone volume with the dial **VOLUME OFF**.

### **CLEANING AND MAINTENANCE**



**Attention!** Do not use alcohol, acetone, benzene, scouring cleaning agents, etc., to clean the synthetic parts of the device. Do not use hard brushes or metallic objects..

The blender must be turned off and unplugged before every cleaning.

Wipe off the unit regularly with a dry rag. Remove the batteries from the battery compartment for extended periods of disuse. Leaking batteries can damage the unit. Store the unit at a dry, cool place shielded from moisture and direct sunlight.

### **TECHNICAL DATA**

Frequency band: (FM) 87.5 – 108 MHz

MW (AM) 540 – 1600 KHz

Operating voltage: 230V~ 50Hz, battery operation (4x 1.5V AA)

DENVER®

www.denver-electronics.com



Electric and electronic equipment contains materials, components and substances that can be hazardous to your health and the environment, if the waste material (discarded electric and electronic equipment) is not handled correctly.

Electric and electronic equipment is marked with the crossed out trash can symbol, seen below. This symbol signifies that electric and electronic equipment should not be disposed of with other household waste, but should be disposed of separately.

All cities have established collection points, where electric and electronic equipment can either be submitted free of charge at recycling stations and other collection sites, or be collected from the households. Additional information is available at the technical department of your city.

Imported by:  
Inter Sales A/S  
Omega 5A  
Soefte 8382 Hinnerup  
Denmark  
[www.facebook.com/denverelectronics](https://www.facebook.com/denverelectronics)