

CONFERENCE CHAIR

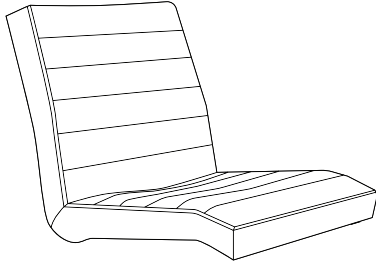


ASSEMBLING INSTRUCTIONS

INCLUDED PARTS

SEATING

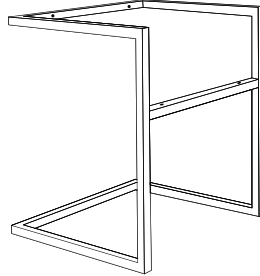
1



1x

LEGS

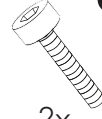
2



1x

M6x40

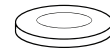
3



2x

M6x18

4



2x

M5

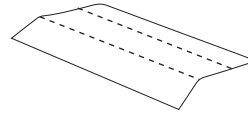
5



1x

ARM COVER

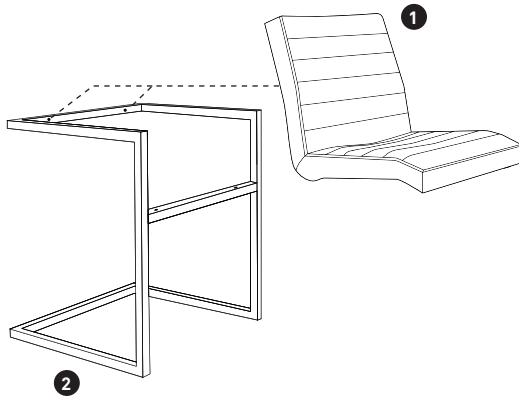
6



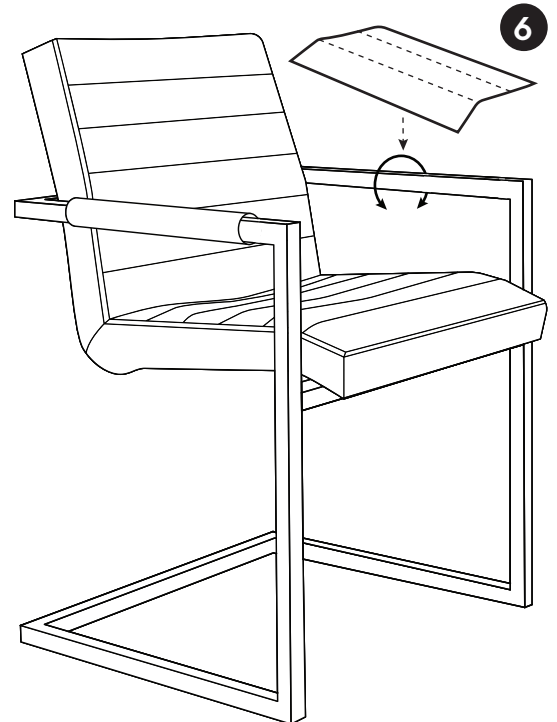
2x

ASSEMBLING

1



3



2

