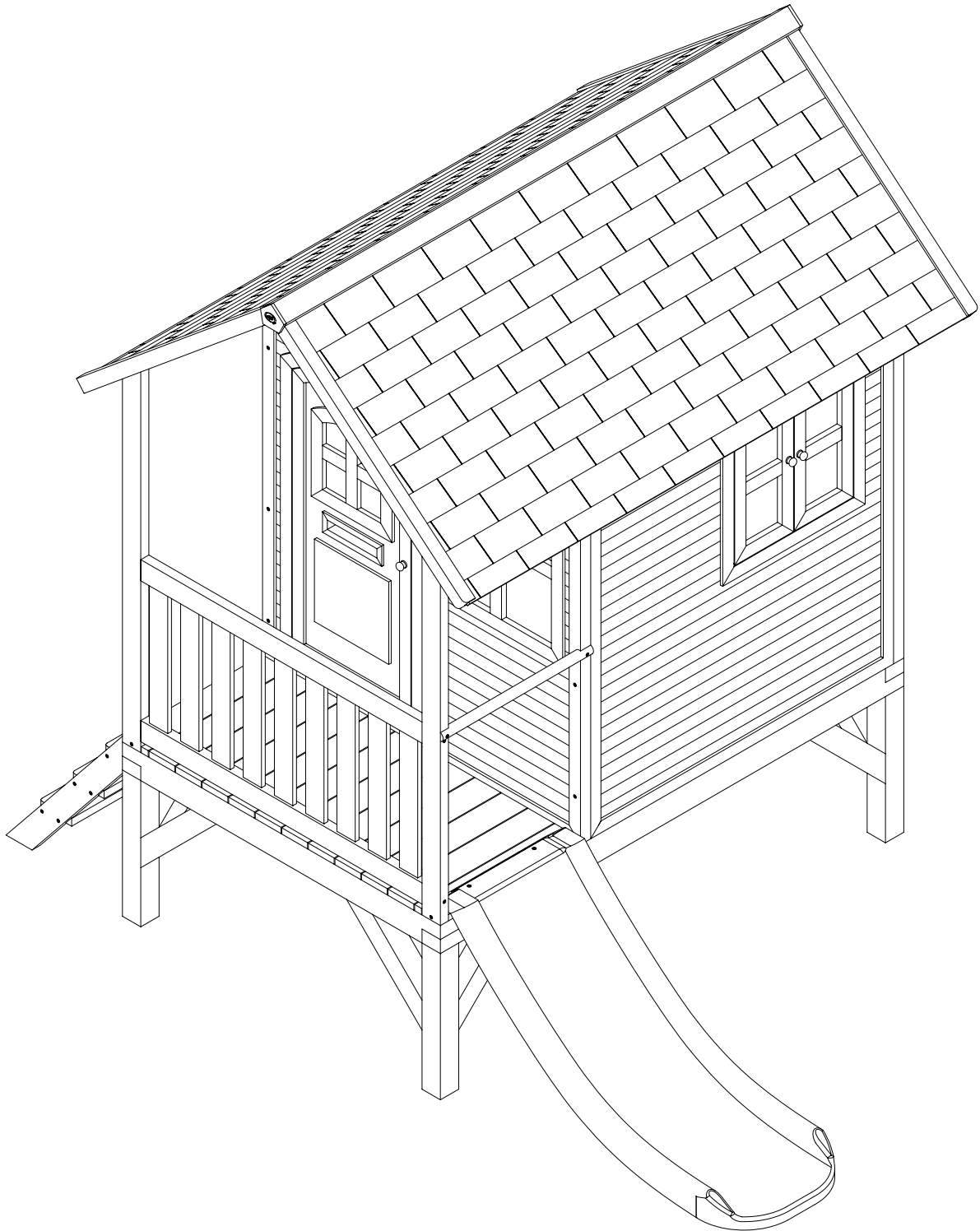


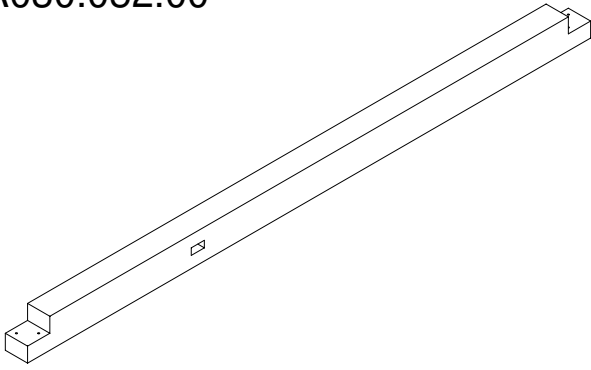


- A030.031.00
- A030.046.00
- A030.047.00
- A030.049.00
- A030.050.00
- A030.052.00

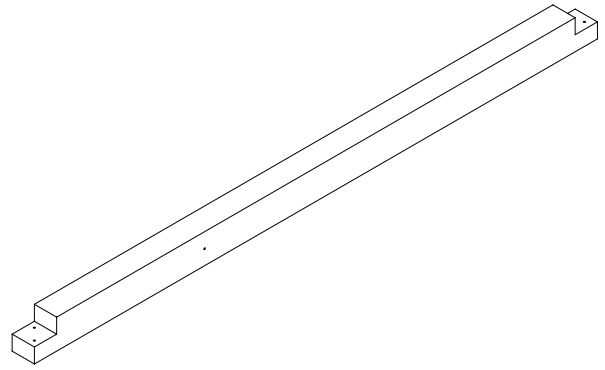




A030.052.00



2

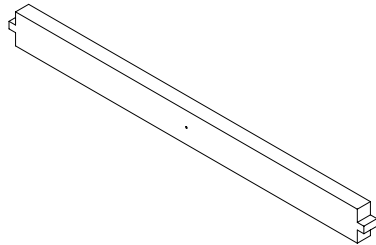


3

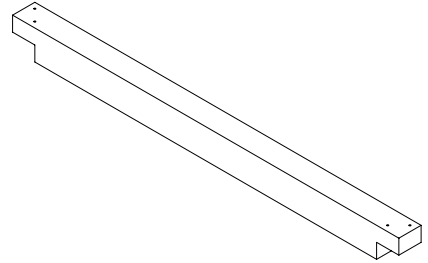


1

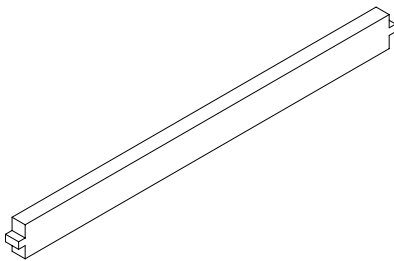
4x



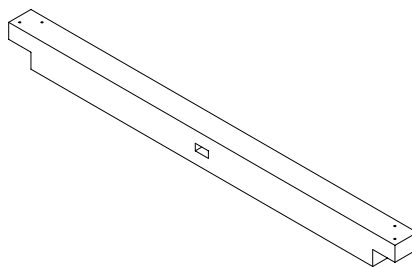
4



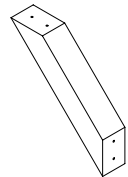
5



6

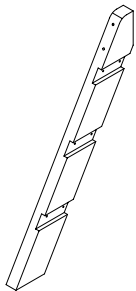


7

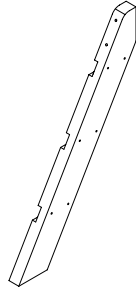


8

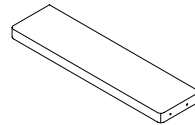
8x



20

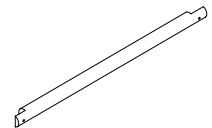


21

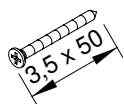


22

3x

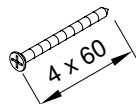


23



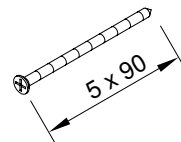
s1

14x



s2

34x

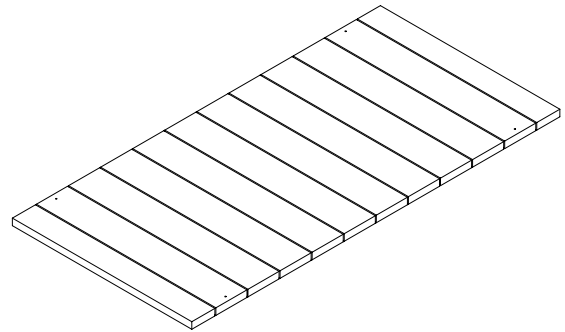
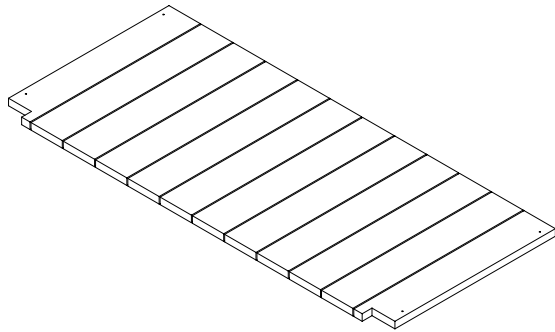


s5

24x



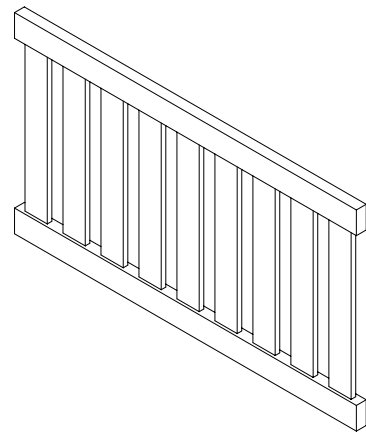
A030.050.00



13

14

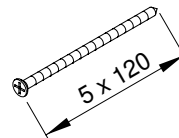
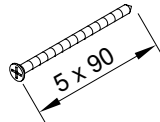
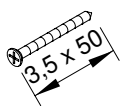
2x



18

2x

19



s1

16x

s5

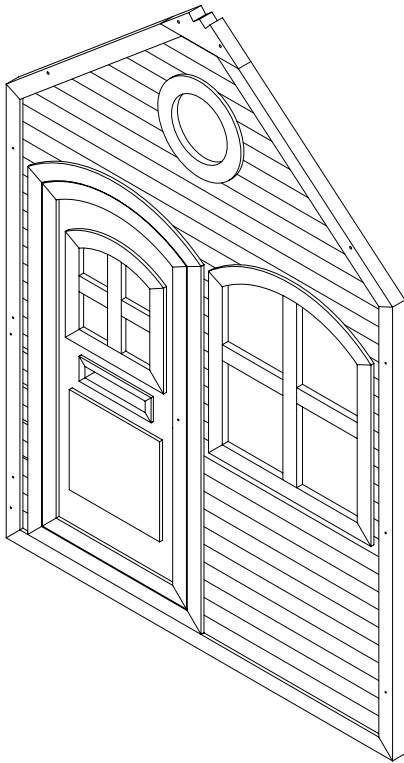
2x

s7

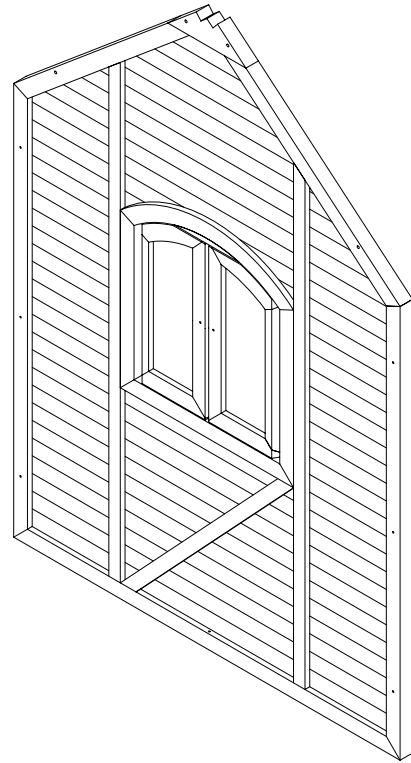
4x



A030.046.00



9



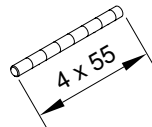
11



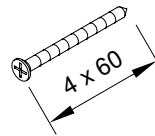
12

14x

t1



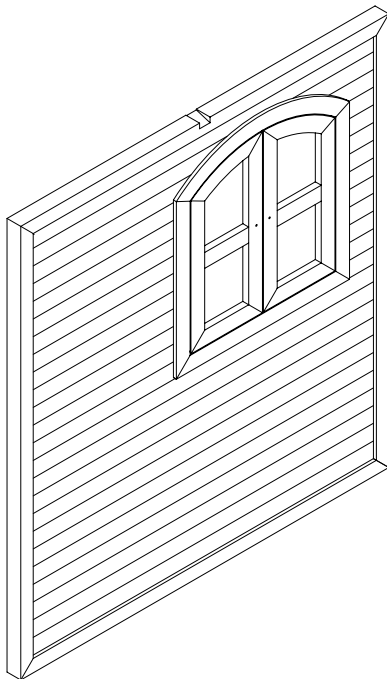
7x



s2

16x

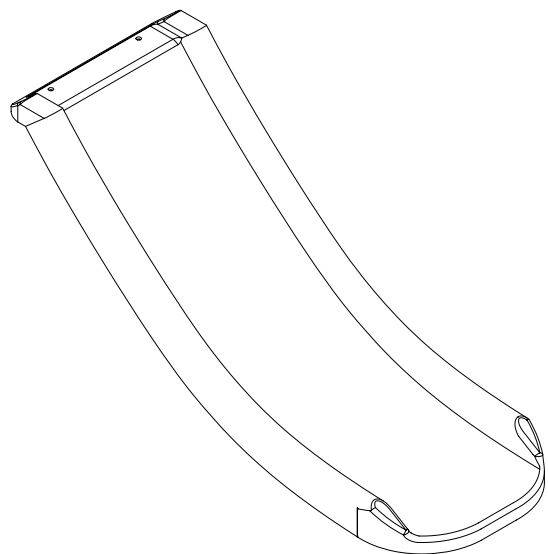
A030.047.00



10

2x

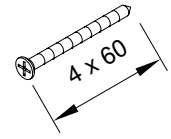
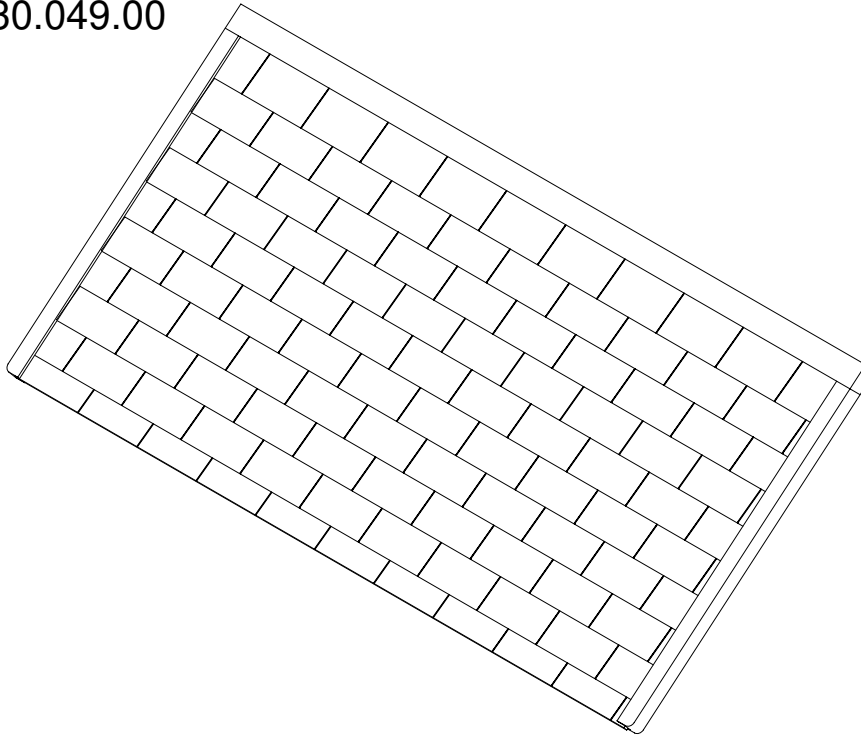
A030.031.00



24

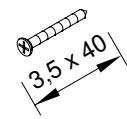


A030.049.00



s2

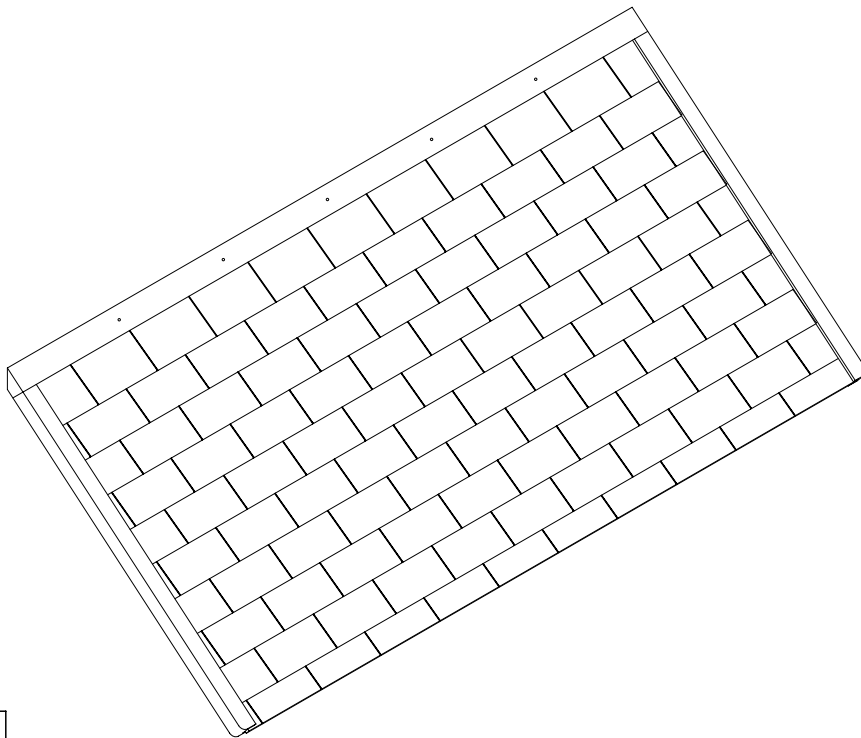
8x



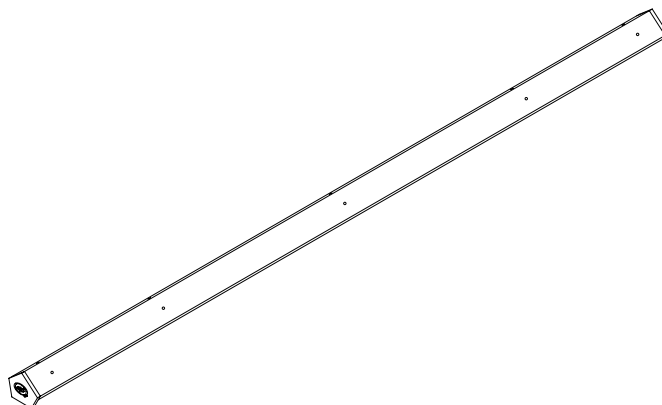
s3

15x

15




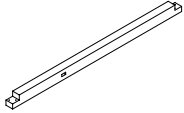
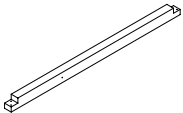
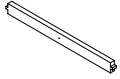
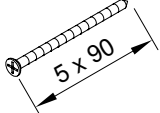
16



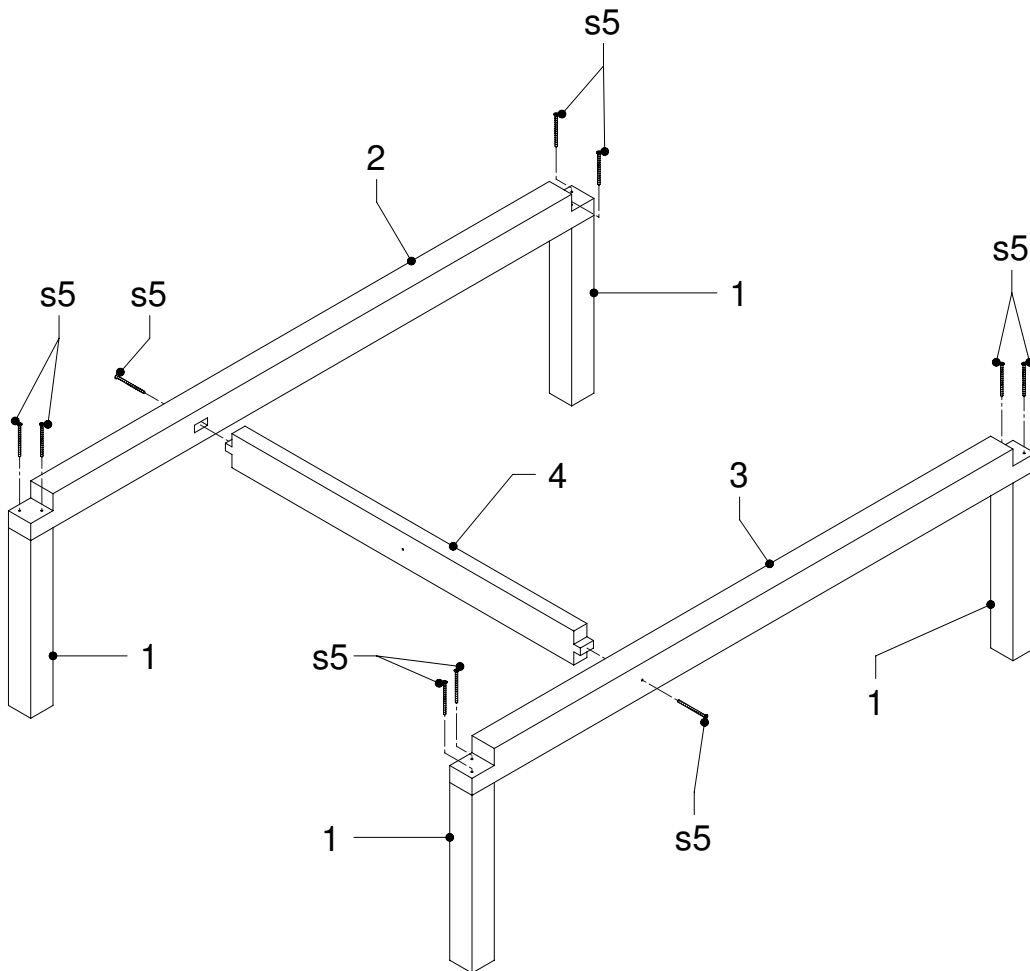
17



Tom

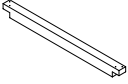
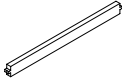
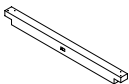

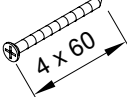
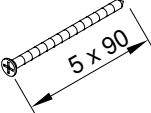
						
1	4x	2	3	4	s5	10x

A030.052.00

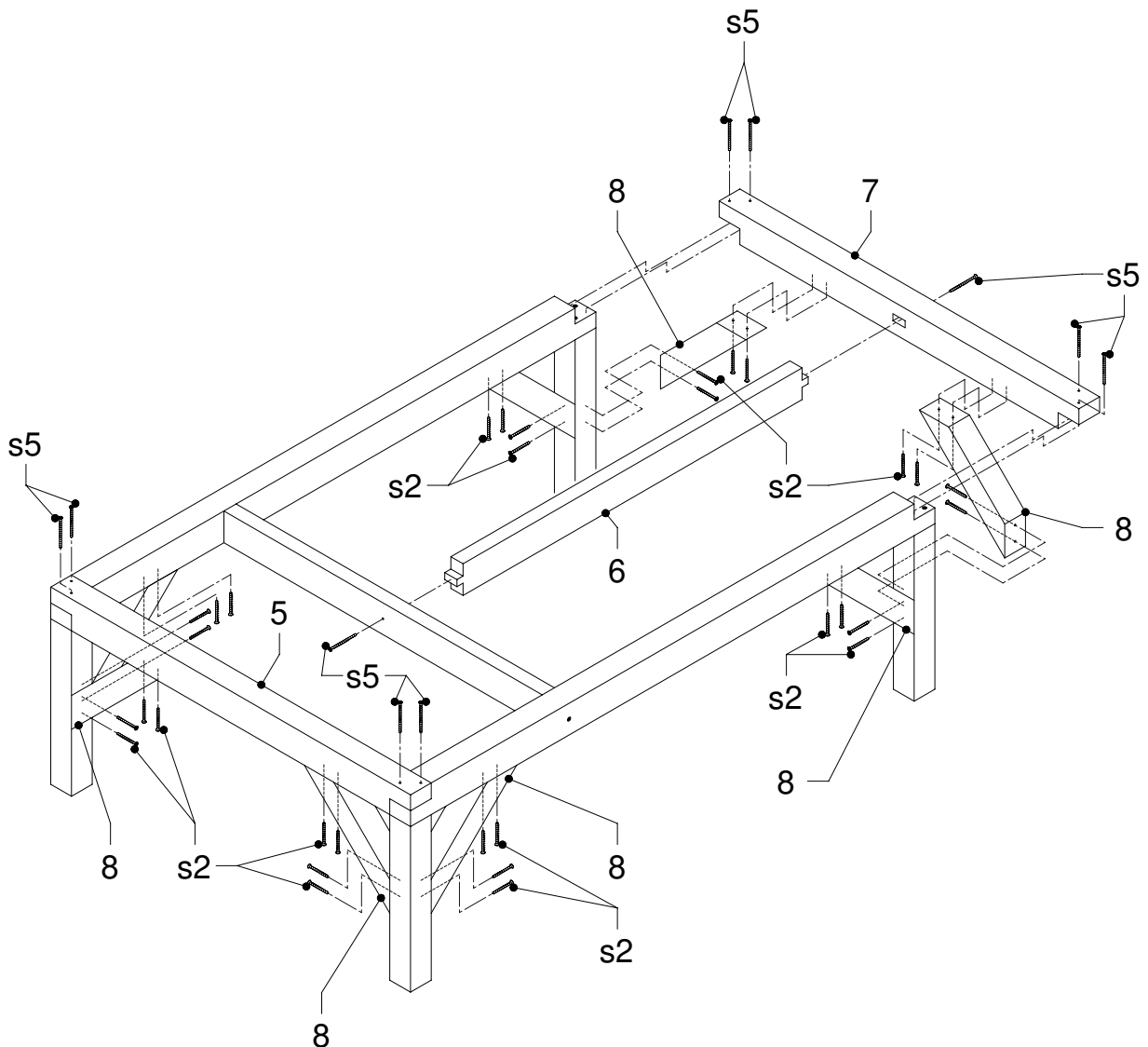




Tom

						
5	6	7	8	8x s2	32x s5	10x s5

A030.052.00

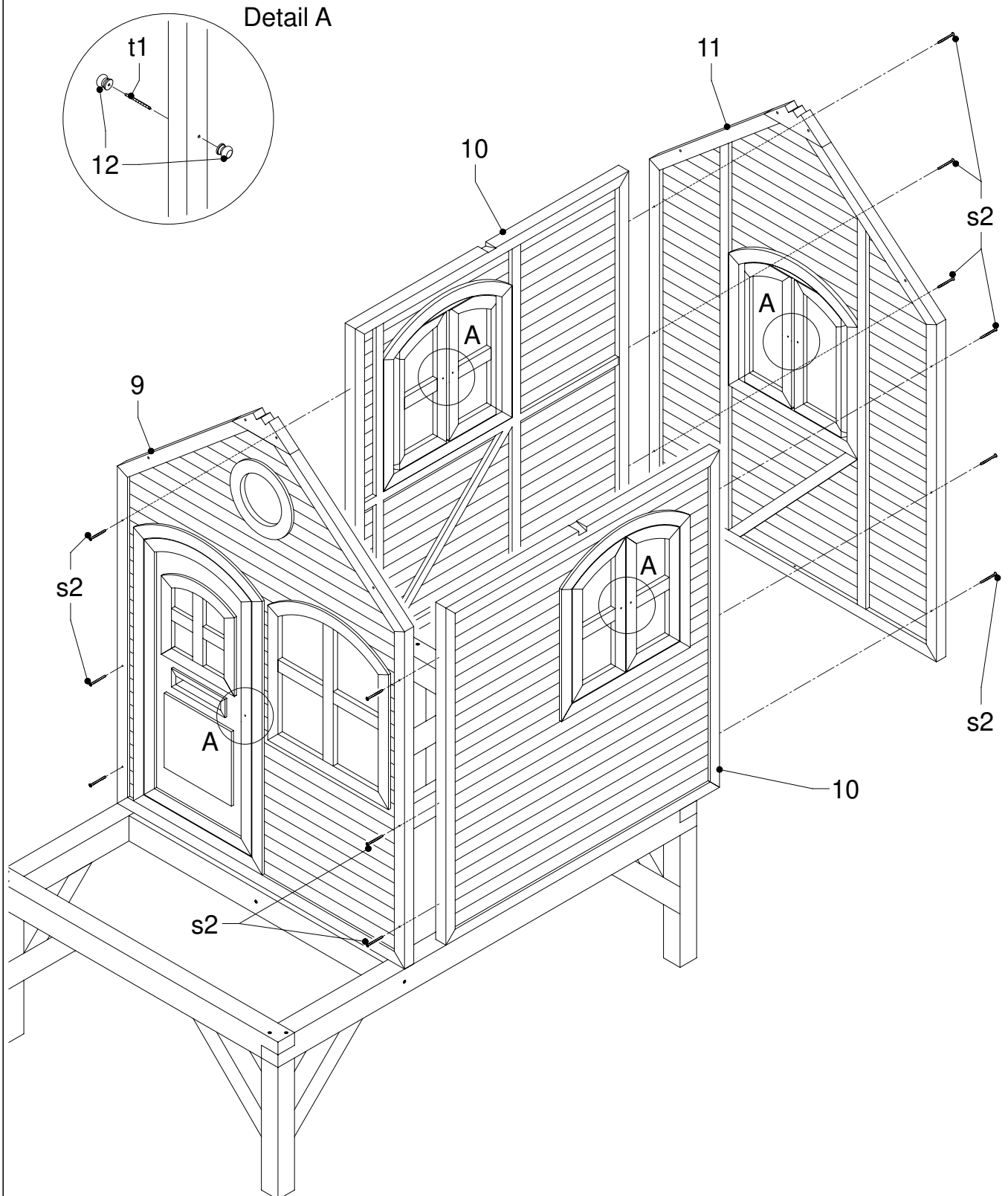




Tom

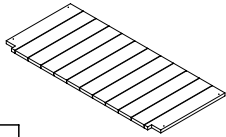
9	10	2x	11	12	14x	t1	7x	s2	12x

A030.046.00 + A030.047.00

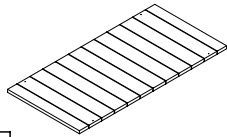




Tom



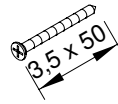
13



14

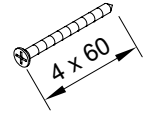
2x

s1



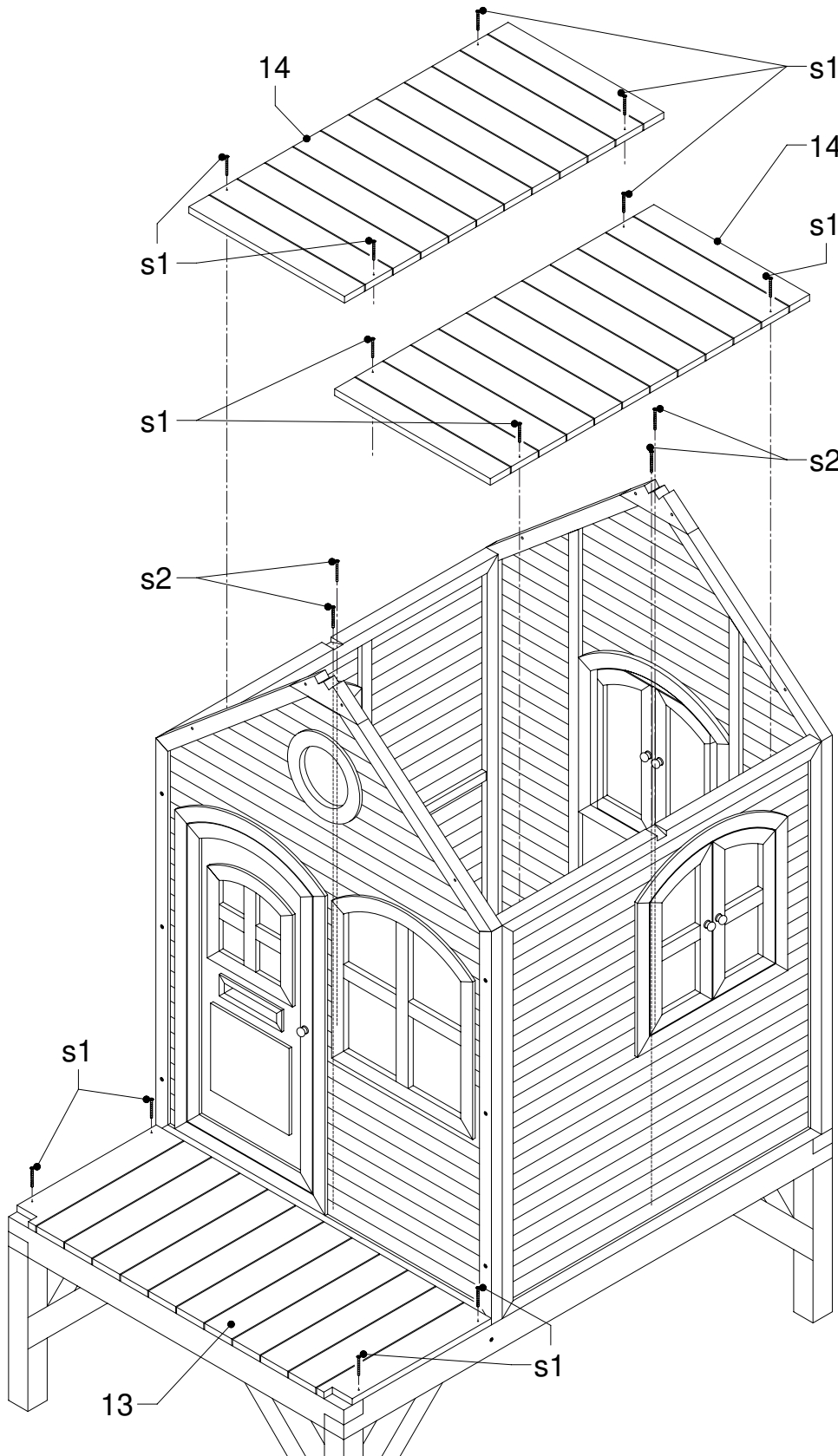
12x

s2



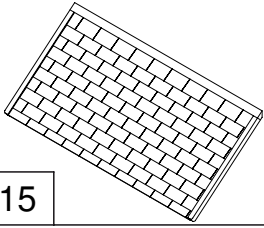
4x

A030.050.00

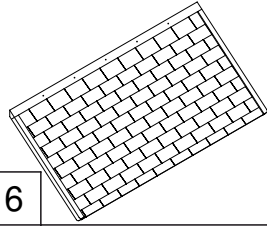




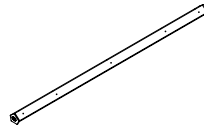
Tom



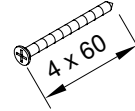
15



16



17



s2

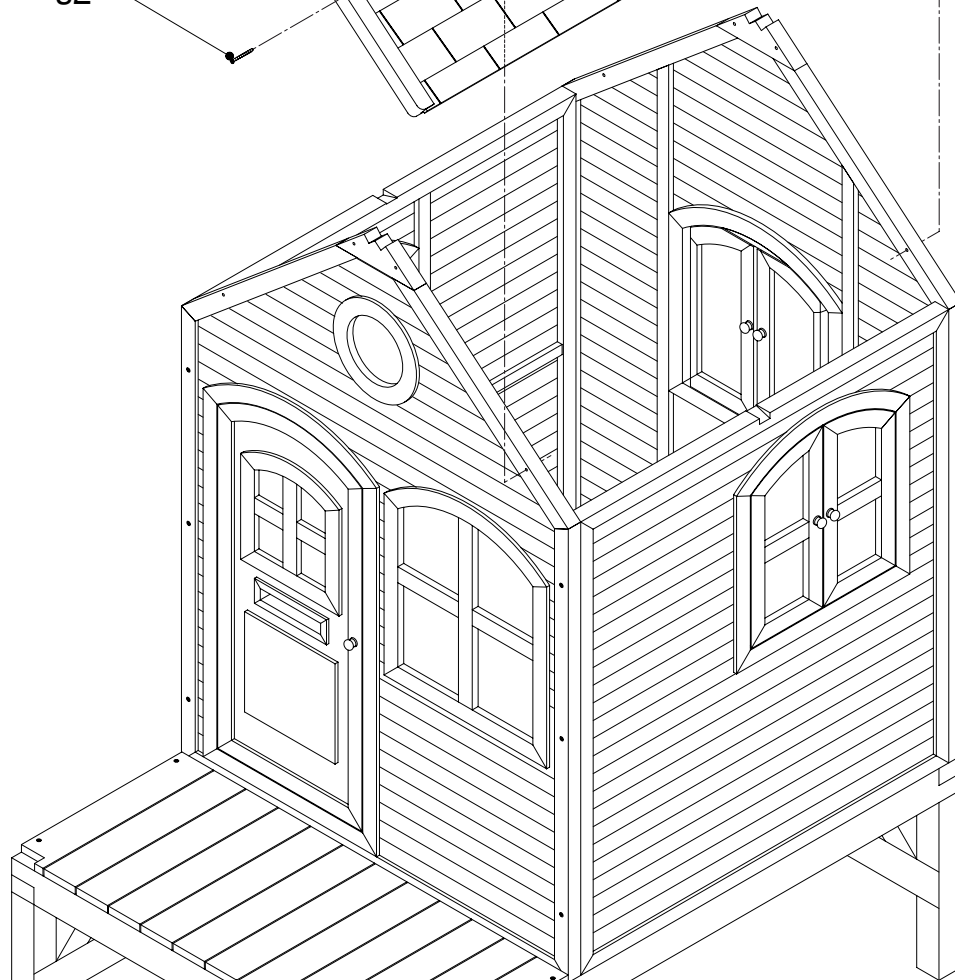
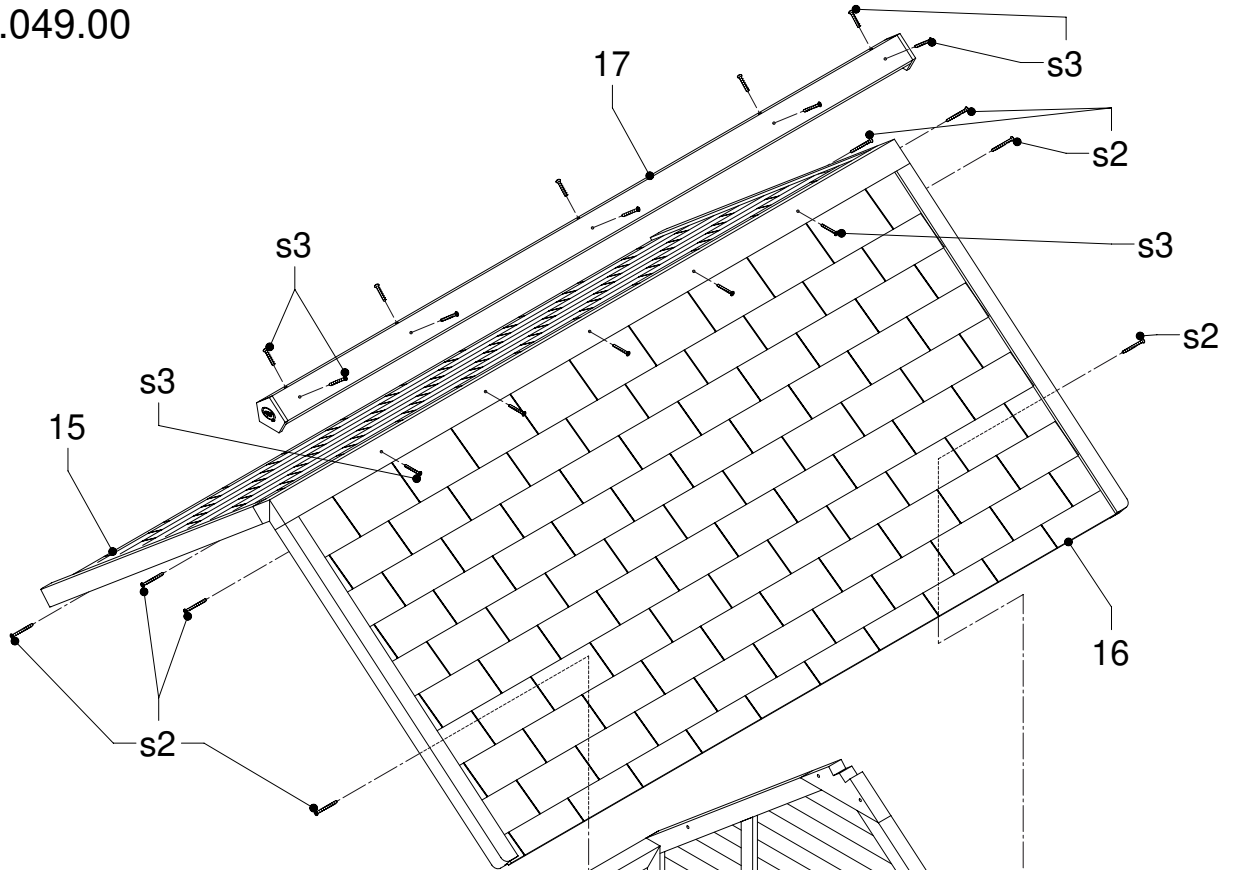
8x



s3


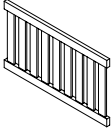
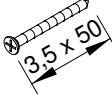
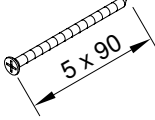
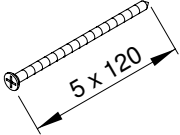
15x

A030.049.00

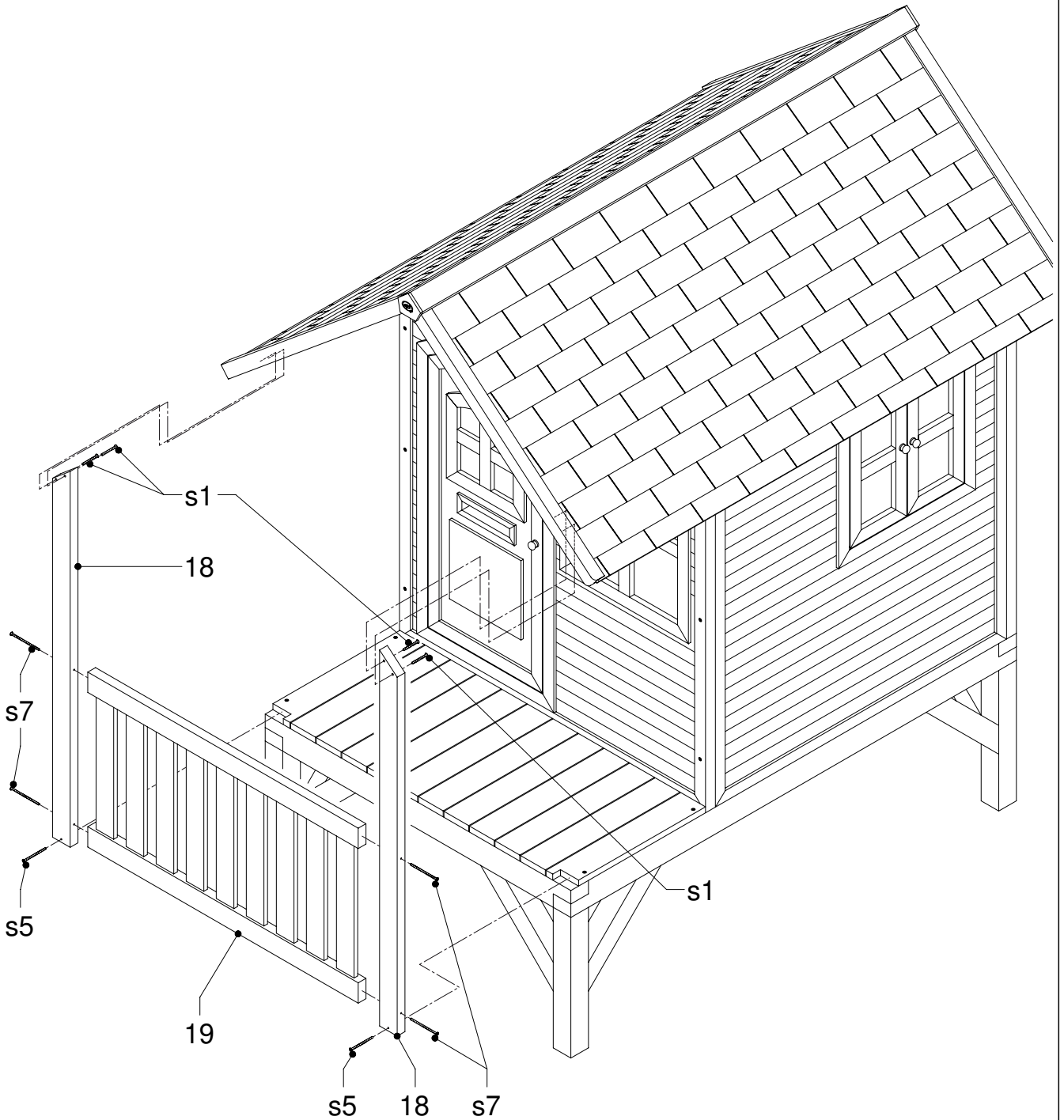




Tom

					
18	2x 19	s1	4x s5	2x s7	4x

A030.050.00





Tom

20	21	22	3x	23	24	s1	14x	s2	2x	s5	4x

A030.031.00 + A030.052.00

