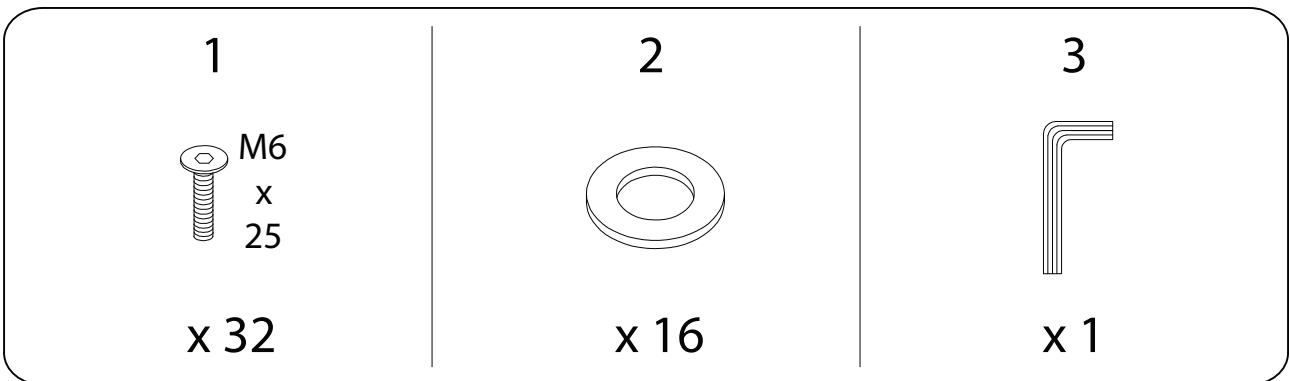
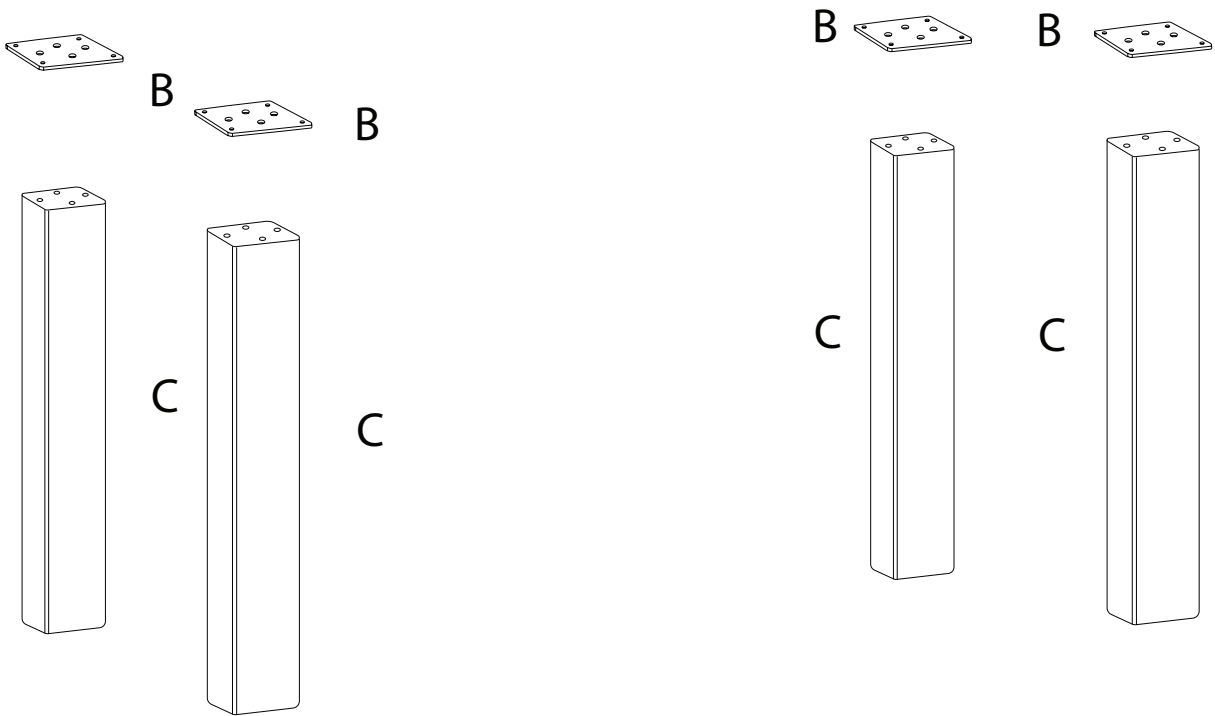
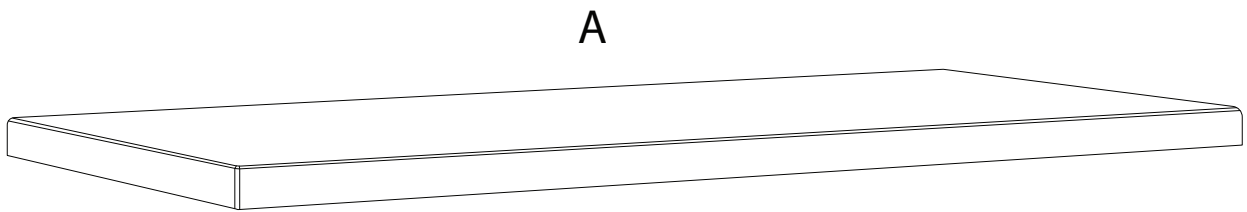
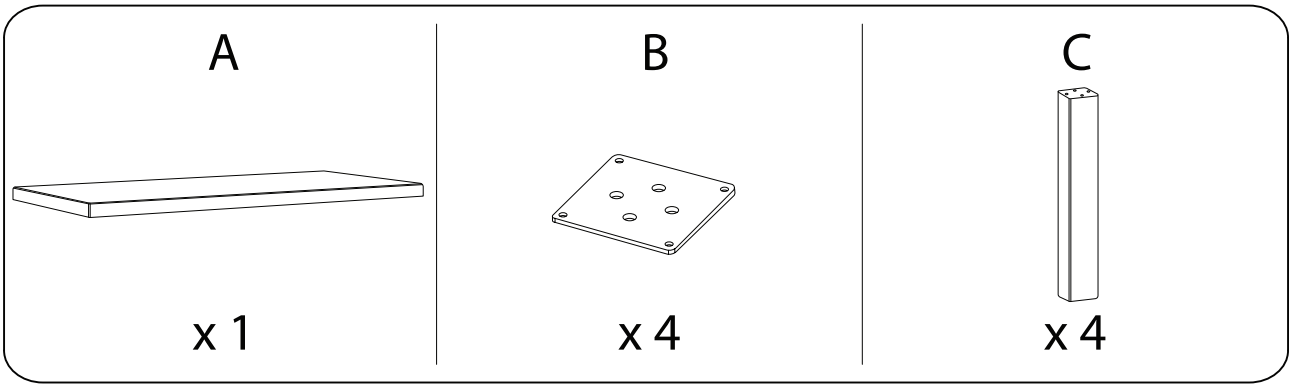
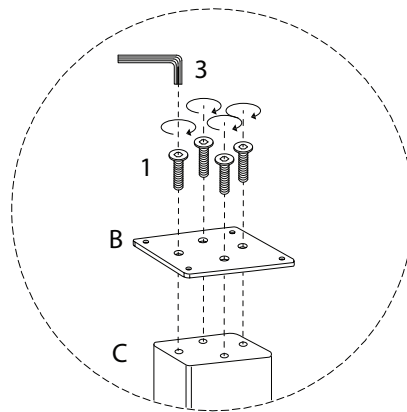
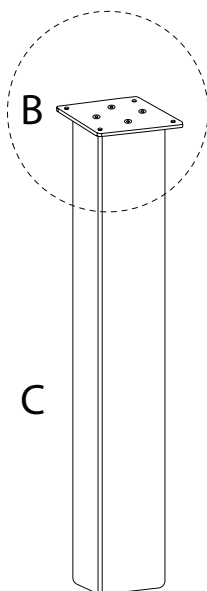
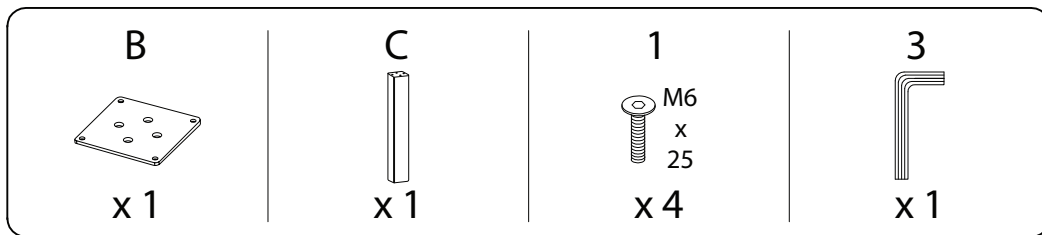


Diagram illustrating assembly instructions and safety warnings:

- Top Section:** A rounded rectangular box contains an icon of an L-shaped bracket on the left and a crossed-out power drill on the right. To the right of this box is a warning triangle containing an exclamation mark. Further right is a clock icon with the text "30'" below it.
- Bottom Section:** A rounded rectangular box contains an icon of a rectangular block on a textured surface on the left and a crossed-out block on a smooth surface on the right. To the right of this box is another warning triangle containing an exclamation mark. Further right is a stick figure icon with the number "2" below it.



1 x 4



2

