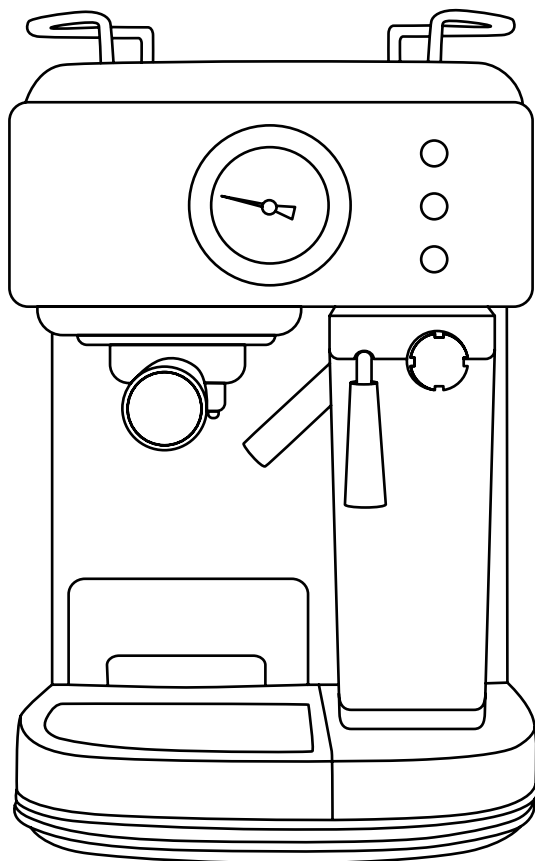


CREATE

THERA MATT PRO



ESPRESSO COFFEE MACHINE CAFETERA ESPRESSO

USER MANUAL

INDEX

ENGLISH

Safety warnings	6
Parts list	8
Control panel	9
Before First use	9
Select the right cup	10
Select the right coffee	10
Coffee drinks	11
Operating instructions	11
Select the function	13
Cleaning and maintenance	14
Troubleshooting	18

PORTUGUÊS

Avisos de segurança	32
Lista de peças	34
Painel de controle	35
Antes do primeiro uso	35
Selecione o copo certo	36
Selecione o café certo	36
Bebidas de café	37
Instruções de operação	37
Selecione a função	39
Limpeza e manutenção	40
Solução de problemas	44

ESPAÑOL

Advertencias de seguridad	19
Lista de partes	21
Panel de control	22
Antes del primer uso	22
Seleccione la taza adecuada	23
Seleccione el café adecuado	23
Bebidas de café	24
Instrucciones de uso	24
Seleccionar la función	26
Limpieza y mantenimiento	27
Solución de problemas	31

FRANÇAIS

Avertissements de sécurité	45
Liste des pièces	47
Panneau de configuration	48
Avant la première utilisation	48
Sélectionnez la bonne tasse	49
Sélectionnez le bon café	49
Boissons au café	50
Mode d'emploi	50
Sélectionnez la fonction	52
Nettoyage et entretien	53
Dépannage	57

INDEX**ITALIANO**

Avvisi di sicurezza	58
Elenco delle parti	60
Pannello di controllo	61
Prima del primo utilizzo	61
Seleziona la tazza giusta	62
Scegli il caffè giusto	62
Bevande al caffè	63
Istruzioni per l'uso	63
Seleziona la funzione	65
Pulizia e manutenzione	66
Risoluzione dei problemi	70

NEDERLANDS

Veiligheidswaarschuwingen	84
Lijst met onderdelen	86
Controlepaneel	87
Voor het eerste gebruik	87
Kies de juiste mok	88
Kies de juiste koffie	88
Koffie drankjes	89
Gebruiksaanwijzing	89
Selecteer functie	91
Reiniging en onderhoud	92
Probleemoplossing	96

DEUTSCH

Sicherheitswarnungen	71
Liste der Einzelteile	73
Schalttafel	74
Vor dem ersten Gebrauch	74
Wählen Sie die richtige Tasse	75
Wählen Sie den richtigen Kaffee	75
Kaffeegetränke	76
Bedienungsanleitung	76
Wählen Sie die Funktion	78
Reinigung und Instandhaltung	79
Fehlerbehebung	83

POLSKI

Ostrzeżenia dotyczące bezpieczeństwa	97
Lista części	99
Panel sterowania	100
Przed pierwszym użyciem	100
Wybierz odpowiedni kubek	101
Wybierz odpowiednią kawę	101
Napoje kawowe	102
Instrukcja użycia	102
Wybierz funkcję	104
Czyszczenie i konserwacja	105
Rozwiązywanie problemów	109

ENGLISH

Thank you for choosing our coffee machine. Before using the appliance, and to ensure the best use, carefully read these instructions.

The safety precautions enclosed herein reduce the risk of death, injury and electrical shock when correctly adhered to. Keep the manual in a safe place for future reference, along with the completed warranty card, purchase receipt and package. If applicable, pass these instructions on to the next owner of the appliance. Always follow basic safety precautions and accident-prevention measures when using an electrical appliance. We assume no liability for customer failing to comply with these requirements.

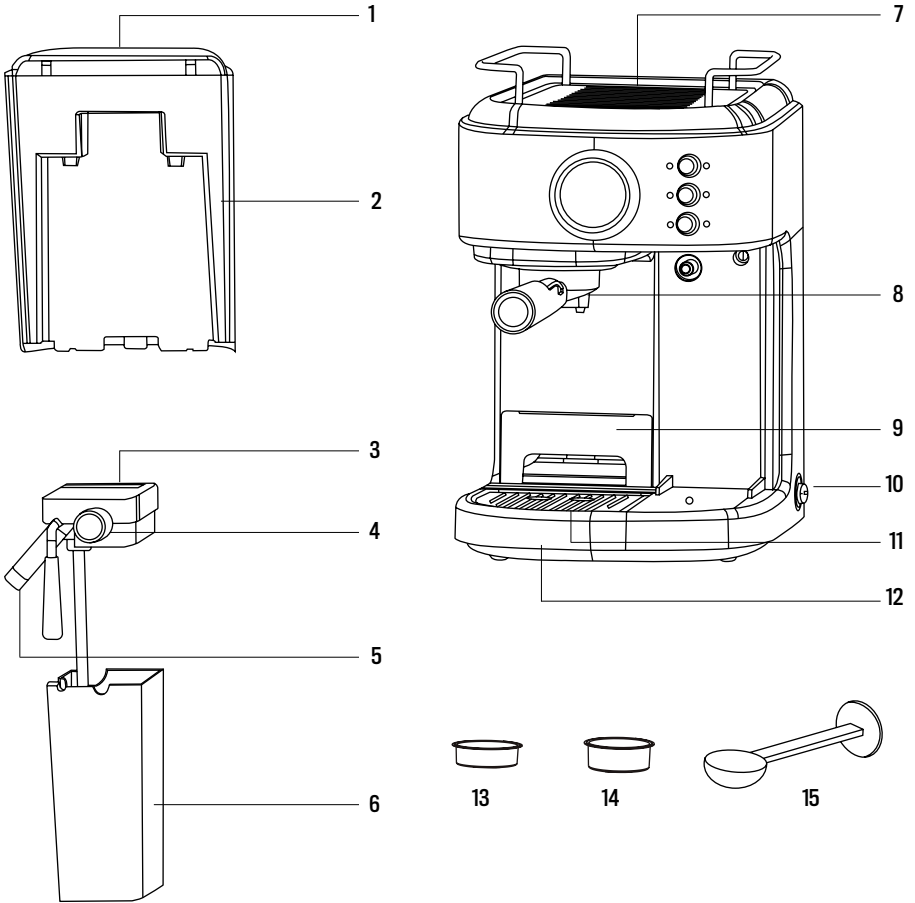
SAFETY WARNINGS

When using any electrical appliance, basic safety precautions should always be observed.

- Read all instructions and save them for future reference.
- Make sure that your outlet voltage corresponds to the voltage stated on the rating label of the coffee maker.
- To protect against fire, electric shock and injury to persons do not immerse cord, plug or unit in water or other liquid.
- Close supervision is necessary when any appliance is used by or near children.
- Unplug from outlet when not in use and before cleaning. Allow to cool before putting on or taking off parts, and before cleaning the appliance.
- Do not operate any appliance with a damaged cord or plug or after the appliance malfunctions, or has been damaged in any manner. Return appliance to an authorized service facility for examination, repair or adjustment.
- The use of accessories not recommended by the appliance manufacturer may result in fire, electric shock or injury to persons.
- To disconnect, turn any control to the off position then remove plug from the wall outlet.
- Do not touch any hot surfaces, use handles or knobs.
- Do not use outdoors or for commercial purposes.
- Do not let the cord hang over the edge of any table or counter, or touch any hot surface.
- Use on a hard, flat level surface only, to avoid interruption of airflow underneath the appliance.
- Always be sure to place the water tank tightly back in the unit with its lid closed and fill with water on or above the minimum before turning the appliance on.
- Do not remove the porta-filter while brewing coffee. Please make sure the three lights are on before you remove the porta-filter to make additional coffee. Caution should also be taken while removing the porta-filter since the metal parts will be hot. Please make sure to hold it by the handle and to use the filter retention clip to dispose the grounds. Caution should be taken when moving the unit with hot liquids.
- Do not remove the water tank until the unit is turned off.

- This appliance is not intended to be operated by means of an external timer or separate remote-control system.
- The appliance can be used by children aged from 8 years and above and persons with reduced physical, sensory or mental capabilities or lack of experience and knowledge if they have been given supervision or instruction concerning use of the appliance in a safe way and understand the hazards involved. Children shall not play with the appliance. Cleaning and user maintenance shall not be made by children unless they are older than 8 and supervised.
- Keep the appliance and its cord out of reach of children under 8 years old.
- Before removing any of the parts and accessories, make sure the three lights are on, press the power button to the off position “O” and unplug the appliance.
- Do not remove the porta-filter at any time during the brewing process.
- Use caution when removing the porta-filter. The metal parts may still be very hot. Also, there may be hot water floating on the top of the filter. Hold it only by its handle and dispose of the brewed coffee ground by using the filter retention clip.
- If coffee does not drip, the filter is blocked. Turn off the appliance and allow it to cool down. The blockage may be caused by the coffee being too finely ground. See the “Problems and causes” section.
- When cleaning the frothed milk dispensing tube: Place a large cup under the tube. Fill the milk tank with water and place it back on the unit. Turn the Froth Control Knob clockwise to the clean position and then press and hold the latte /clean button for 3 seconds and release to activate the clean function. Let the unit dispense the water through the tube for approximately 30 seconds and then press the latte /clean button once to stop the process.
- Do not place on or near a hot gas or electric burner, or in a heated oven.
- Do not use the appliance for other than intended use.
- Do not leave the appliance on unattended.
- This appliance is intended to be used in household and similar applications such as: staff kitchen areas in shops, offices and other working environments; farm houses; by clients in hotels, motels and other residential type environments; and bed and breakfast type environments.
- Never submerge the appliance in water or other liquids. There is danger of electric shock.
- Pressure: In order to avoid possible burns to body parts and/or other injury from hot steam and water or damages to the unit, never remove the water tank or the porta-filter while your espresso/cappuccino maker is brewing coffee or frothing. Make sure the three lights are on before you can remove the porta-filter to make additional cups of coffee. If you need to add more water or milk to the tanks, please make sure the three lights are on and ensure to switch off the unit by pressing the red button on the side of the unit to the off position “O”.

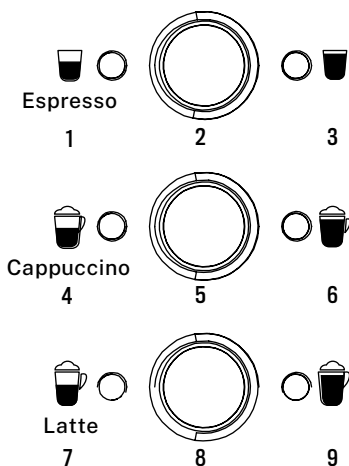
PARTS LIST



1. Water tank lid
2. Water tank
3. Milk tank lid
4. Control knob
5. Steam nozzle
6. Milk tank
7. Top deck decoration
8. Filter holder

9. Support for small cups
10. Switch
11. Drip plate
12. Drip tray
13. 1-cup filter
14. 2-cups filter
15. Coffee measuring Spoon and tamper

CONTROL PANEL



1. Small coffee cup and manual coffee light
2. Manual brew button
3. Large cup of coffee and manual coffee light
4. Small cup of cappuccino and milk foam light
5. Milk foam button
6. Large cup of cappuccino and milk foam light
7. Small cup of latte and cleaning light
8. Cleaning button
9. Large cup of latte and cleaning light

BEFORE FIRST USE

- Clean and prime the unit prior to first use.
- Please refer to the “Parts list” section to familiarize with the product and identify all parts.
- Please make sure the unit is off “O” by pressing the switch located on the side of the unit. Make sure it is unplugged from the electrical outlet.
- Remove stickers and labels from the unit.
- First remove and then wash the water tank, the milk tank, the two filters, the filter holder and coffee spoon in a mixture of mild detergent and water. Rinse each thoroughly and place them back into the unit.
- Refer to the instructions on “Inserting the filter” section before placing or removing the filter holder and filter from the unit.
- To clean the inside of the appliance, follow the steps listed on the cleaning sections using water in both tanks and no coffee in the filter. Do not immerse the appliance in water or attempt to reach any of its internal parts.
- **WARNING:** Before the first use, you must remove the protective piece, situated on inferior part of the water deposit, how tell the sticker.







NOTE: In order for your unit to work properly time after time, clean it after every use.

To prime the unit, run the steam cycle for 90 seconds by following the steps below:

1. Fill the water tank between the MIN and MAX levels.
 2. Fill the milk tank with water between the MIN and MAX levels.
 3. Select one of the filters and place it on the filter holder. Place the filter holder in the unit ensuring it is properly locked and place a cup under it. Also, make sure the tip of the frothed milk dispensing tube is inside the cup.
 4. Plug the appliance into the appropriate outlet.
 5. Turn the switch on "I".
 6. The six control panel lights will start blinking. Once these lights become solid, press the cappuccino button twice.
 7. Once this process is completed, the six control panel lights will turn on solid.
- Now your unit has been primed and is ready to be used.

SELECT THE RIGHT CUP

Before preparing your beverage, please make sure to select the right cup size according to the following table:

BEVERAGE TYPE RATIO		
Espresso	Single 	60 ml
	Double 	119 ml
Cappuccino	Single 	178 ml
	Double 	355 ml
Latte	Single 	296 ml
	Double 	474 ml

SELECT THE RIGHT COFFEE

- **The coffee:**

The coffee should be freshly ground and dark roasted. You may want to try a French or Italian roast ground for espresso. Pre-ground coffee will only retain its flavour for 7–8 days, provided it is stored in an airtight container and in a cool, dark area. Do not store in a refrigerator or freezer. Whole beans are recommended to be ground just before use. Coffee beans stored in an airtight container will keep its flavor for up to 4 weeks.

- **The grind:**

This is a vital step in the espresso making process if you are grinding your own coffee and takes practice. The coffee must be of a fine grind.

The correct grind should look like salt.

If the grind is too fine, the water will not flow through the coffee even under pressure. These grinds look like powder and feel like flour when rubbed between fingers.

If the grind is too coarse, the water flows through the coffee too fast, preventing a full-flavored extraction.

Be sure to use a quality grinder for uniform consistency.

COFFEE DRINKS

- **Espresso:**

A unique method of coffee brewing in which hot water is forced through finely ground coffee. Popular in Europe, it is a far richer and more full-bodied brew than regular drip coffee. Because of its richness, espresso is usually served in 44 to 59 ml (1.5 to 2 oz.) cups.

- **Cappuccino:**

A drink made with about 1/3 espresso, 1/3 steamed milk, and 1/3 frothed milk.

- **Latte:**

A drink made with about 1/4 espresso and 3/4 steamed milk.

OPERATING INSTRUCTIONS

- **Fill the water tank:**

1. Fill the water tank with water, you may either use a jar to fill it up or remove it from the unit and then fill it up under the tap. If you have removed it from the unit to fill up with water, please make sure to place it back tightly in its place. Fill the tank with the desired amount of water ensuring it ranges within the “MIN” and “MAX” markings on the tank. Never use warm or hot water to fill the water tank.

2. Close the water tank lid and place it back in the unit ensuring it fits tightly.

- **Fill the milk tank:**

1. If you plan to prepare cappuccino or latte, remove the milk tank from the unit. Open the lid and then pour the quantity of cold milk you estimate you will need between the “MIN” and “MAX” levels.

2. When done, place the milk tank back in the unit ensuring it fits tightly.

Note: You can use the type of milk of your preference, i.e. whole milk, low fat milk, organic or soy milk.

- **Choose the filter:**

Select the filter to be used as follows:

1. For a single cup: Use the filter for a single cup of espresso if using ground coffee.

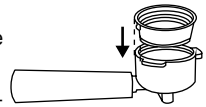
2. For a double cup or two cups: Use the filter for a double cup.

NOTE: The 1-cup filter included with your unit has been designed to work also with ESE (45 mm) pods.

- **Insert the filter:**

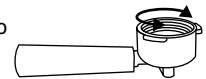
1. To insert the selected filter in the filter holder, make sure to align the notch on the filter with the groove inside the filter holder.

2. Turn the filter to the left or right to lock in place. This will help secure the filter in the filter holder.



NOTE: To remove and clean the filter, turn filter to the left or right to align the filter notch with the groove inside the filter holder.

WARNING: Make sure the filter has cooled before attempting to remove it.



- **Fill with coffee:**

Place selected filter on filter holder as follows:

1. Fill the filter with fresh, fine ground espresso coffee (do not overfill).

Note: The ground coffee amount can't exceed the MAX mark.

2. Tamp and compress firmly and evenly the ground coffee.

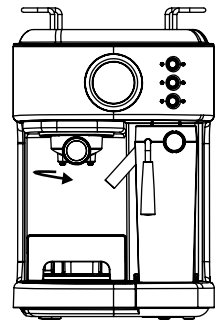
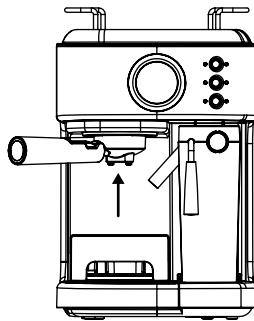
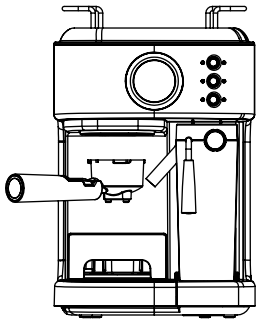
3. Clean any excess of coffee from the rim to ensure proper fit under brew head.

• **Place the filter holder:**

1. Place the filter holder underneath the brew head, attach the filter holder by first moving the retainer clip back.

2. Place the handle so that the handle lines up with the open lock icon on the unit and fits into the groove.

3. Then, slowly turn it to the right until the retention clip is aligned with the closed lock symbol on the unit.

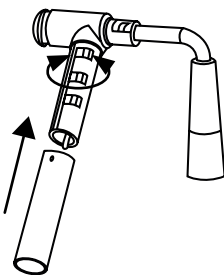
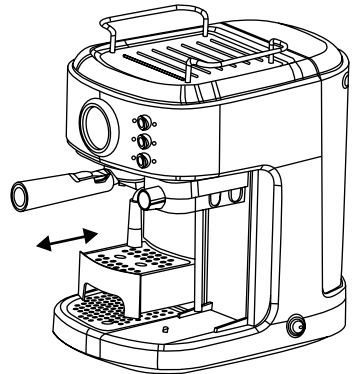


• **Place the cup(s):**

• Pull out the drip tray bracket if you are using a small cup to brew espresso.

• Keep the drip tray bracket inside its compartment if you are using a larger cup to brew cappuccino.

• Keep the drip tray bracket inside its compartment if you are using a larger cup to brew latte.



CAUTION: When brewing cappuccino or latte, please make sure to adjust the frothing tube lever in order to position the froth milk dispensing tube inside the cup to be used, additionally, you can also adjust the length of frothed milk dispensing tube by locking it onto a different position of the frothing tube lever to adapt to different sizes of cups. And you can clean it by rotating it out, then fix it in.

• **Turn the unit on:**

4. Make sure the unit is plugged in.

5. Turn the unit on “I” position. The six control panel lights will start blinking during heating and until the water reaches the perfect temperature. Once the six lights become solid, the unit is ready to use.

Note: The frothing tube is very hot, please take care.

SELECT THE FUNCTION

• **Espresso:**

1. Press coffee button once (☐ illuminates) to brew a single cup of coffee.

2. Press coffee button twice (☐☐ illuminates) to brew a double cup of coffee.

3. Press and hold the coffee button for 3 seconds (☐☐ illuminate at the same time) to brew a big cup of coffee. When the coffee amount reaches your need, you can press any button to stop working.

• The unit can brew espresso according to your setting, and it can stop automatically. When ☐☐ light solidly, it means it has finished brewing and you can enjoy your espresso.

Warning: After the coffee machine has finished brewing, please don't take out the filter immediately, just wait for 10 seconds more or less.

• **Cappuccino:**

Before brewing cappuccino, turn the froth control knob to the middle position, you can adjust the quantity of frothed milk according to your preference by turning the Froth Control Knob to the right for more froth and to the left for less froth.

Note: The froth intensity can be adjusted during the brewing cycle.

1. Press the Cappuccino Button once to brew a small cup of cappuccino.

2. Press the Cappuccino Button twice to brew a large cup of cappuccino.

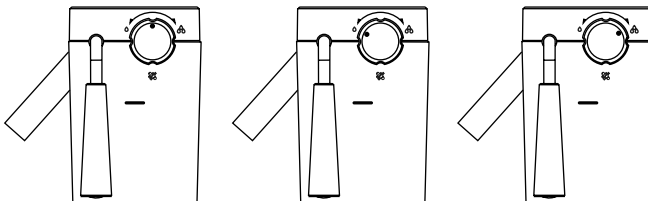
The unit will start brewing the cappuccino according to your selection. After that, your delicious cappuccino is ready to be enjoyed.

• **Latte:**

Prior to preparing your latte, adjust the quantity of frothed milk according to your preference by turning the Froth Control Knob to the right for more froth and to the left for less froth.

1. Press the Latte button once to brew a small cup of latte coffee.

2. Press the Latte button twice to brew a large cup of latte coffee.



- **Frothed milk:**

The unit also allows you to prepare frothed milk only.

1. Press and hold the Cappuccino Button for 3 seconds if you wish to add more foam to your beverage or to prepare frothed milk for any other beverage, e.g. macchiato, hot chocolate, tea , etc.
 2. When done, press the Cappuccino Button once again to stop it.
- After preparing your beverages with milk: Once you are done preparing your beverage with milk, you can either store the unit's milk tank directly in the refrigerator (ready to be used for the next time) or dispose of the leftover milk.
 - If there is no any operation within 15 minutes, the unit will enter sleep mode, you can press any button to wake up the unit.

CLEANING AND MAINTENANCE

Please read ALL of the instructions, cautions, notes and warnings included in this instruction manual carefully before you begin to use this appliance. When this unit is used, some parts and accessories get hot and need to cool down. Proper care and maintenance will ensure the long life of the Automatic Espresso, Cappuccino, and Latte coffee Maker and its trouble-free operation. Save these instructions and refer to them often for cleaning and care tips.

CORRECT USE OF GROUND COFFEE FOR ESPRESSO MAKERS

Do not use sugar roasted ground coffee or sugar roasted coffee beans as these will clog the filter and damage the appliance. If sugar roasted coffee is accidentally used, stop using the unit and bring it to the closest service center for maintenance. We recommend descaling the machine periodically to keep it in good working condition. Contact our service centres to learn about this process.

DESCALING

With the milk tank placed in position, the appliance will remind the user to perform descaling by having the six indicators quickly flashing alternately. At that time, the user shall fill the water tank with 600 ml clean water and dedicated descaler, then press Espresso and Latte buttons simultaneously and then the appliance enters into descaling condition automatically. Then, the six indicators will slowly flash alternately, after working for about half an hour, the six indicators quickly flash alternately, and then the user shall empty the water tank and refill it with 600 ml clean water.

After that, press the Espresso and Latte buttons simultaneously again and the appliance will continue to perform descaling. The six indicators will slowly flash alternately, after working for about half an hour, the appliance will stop working and will go back to the standby condition.

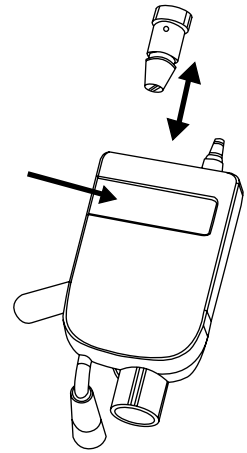
NOTE:

- You can press any functional buttons to perform the corresponding function when the appliance reminds you to perform descaling. And the appliance will continue to remind you to perform descaling after finishing performing the corresponding function.
- The descaling process can be stopped at any time by pressing any button, then the appliance will continue to remind the user to perform descaling. And the appliance will enter into normal standby mode only after finishing the whole descaling process.

CLEANING THE MILK TANK AND FROTHING TUBE

Even though you can store the milk tank with leftover milk in the refrigerator, it is important to clean the tank and frothing tube regularly to avoid clogging and building residues. In order to clean the milk tank, please follow the instructions listed below:

1. Remove the milk tank from the unit.
2. Remove the lid of the tank.
3. The steam tube connector can be detached by rotating it. You can clean it by tap water. After cleaning, please fix it into the milk tank lid by rotating it again.
4. When cleaning the milk tank, you can open the silicon sheet (don't pull it out), wash it by tap water. After cleaning, place back the silicon sheet.
5. Pour any milk left and rinse and wash the milk tank and its lid thoroughly with warm soapy water. Rinse and dry well. Do not use abrasive cleaners and scouring pads, as they will scratch the finish. The milk tank is also dishwasher safe (top rack). Do not place the lid of the milk tank on the dishwasher.
6. Place a large empty cup under the frothing tube.
7. Turn the Froth Control Knob clockwise to the clean position then press and hold the latte/clean button for 3 seconds and release to activate the clean function. The unit will start releasing steam through the frothing tube, let it run for a few seconds until you don't see any milk in the cup. When done, press the latte/clean button once to stop the process.
8. Dispose any water left on the milk tank and place it back in the unit.



Note: For disassembling the milk tank, you should raise it up a little, then pull it out.

CLEANING THE BREW HEAD, THE PORTA-FILTER AND FILTER

1. Switch the power button on the side of the unit to the off position "O" and unplug the power cord from the electrical outlet.
2. Some of the metal parts might still be hot. Do not touch them with your hands until they have cooled.
3. Remove the porta-filter and discard the coffee grounds or used pod. Wash both the porta-filter and filter with warm soapy water and rinse them well. Do not wash the porta-filter and filters in the dishwasher.
4. Wipe the lower part of the brew head in the unit with a damp cloth or paper towel to remove any coffee grounds that might have been left.
5. Place the porta-filter (without any filter) back in the brew head in the unit.
6. Place an empty large cup under the porta-filter.
7. Press the espresso button once and let the unit brew with water only until it stops automatically.

CLEANING THE WATER TANK

Discard the remaining water by removing the tank and turning it upside down over the sink. It is recommended to empty the water tank between uses. Wash the water tank with soapy water, rinse it well and wipe it dry. The water tank is also dishwasher safe.

CLEANING THE UNIT

1. Wipe the housing with a soft wet cloth. Do not use abrasive cleaners or scouring pads, as they will scratch the finish.
2. Do not store the porta-filter in the brew head. This can adversely affect the seal between the brew head and the porta-filter while brewing espresso.
3. **Caution:** Do not immerse the appliance in water.

DESCALING THE UNIT

Mineral deposits built-up in the unit will affect the operation of the appliance. Your appliance must be descaled when you begin to notice an increase in the time required to brew espresso, or when there is excessive steaming. Also, you may notice a build-up of white deposits on the surface of the brew head.

The frequency of cleaning depends on the hardness of the water used. If you are using soft water (filtered water), the cleaning frequency should be every 80 brew cycles; if you are using hard water (tap water), the cleaning frequency should be every 40 brew cycles.

• **Descal the water tank:**

1. Fill the tank with fresh, undiluted white household vinegar.
2. Allow appliance to sit overnight with the vinegar solution in the water tank.
3. Discard vinegar by removing the tank and turning it upside down over the sink.
4. Rinse the water tank thoroughly with tap water by filling the tank half full with water and then pouring the water back out into the sink, repeating this step twice.

• **Descal internal parts:**

1. Make sure you descale the inside of the water tank first by following the “Descaling” steps above.
2. Make sure to switch the power button to the “O” position and the power cord is disconnected from the electrical outlet. Fill the tank with white vinegar above the minimum level.
3. Insert the porta-filter (with filter and no coffee) and place a jar or regular cup on top of the drip tray and under the porta-filter.
4. Plug the power cord into the electrical outlet.
5. Press the power button to switch the unit on “I”. Once the six control panel lights turn solid blue, press the Espresso Button twice. The vinegar will start flowing through the unit and it will stop automatically.
6. Place a jar or large cup (with at least 325ml/ 11-ounce capacity) under the tube. Fill the milk tank with water and place it back on the unit. Turn the Froth control knob clockwise to the clean position, then press and hold latte button for 3 seconds to activate the clean function. Let the unit dispense the water through the tube for approximately 30 seconds and then press double latte button once to stop the process.
7. Repeat Steps 1 to 6 as necessary using only tap water to rinse any remaining traces of vinegar out of the machine.

• **Manual descaling mode:**

After the unit has been working for 500 cycles, it will enter descaling alarming. Cappuccino and latte indicator blink in turn. If you don't descale in time, waterway system may block.

Note: If you want to descale before 500 cycles, you can descale manually as following steps:

1. Ensure the power switch is at the position of "O", and the power cord is unplugged. Fill 400 ml white vinegar and 600 ml water into the water tank. Assemble the milk tank into the unit, turn frothing control knob clockwise to clean position.
2. Press the power switch to "I" position, cappuccino and latte indicators blink in turn. Press Espresso button and Latte button at the same time, the unit will enter descaling mode automatically. The 6 indicator lights blink by turning a circle clockwise, the frothed milk dispensing tube will flow out hot water and steam. After 10 minutes, the unit will enter standby mode and the 6 indicator lights will illuminate.
3. Discard the residual descaling solution, and clean the water tank, fill appropriate amount of pure water, brew two cups of Espresso continuously and then brew two cups of Latte continuously. The cleaning will be finished and the 6 indicator lights will illuminate. The unit will recover to the standby mode and after the unit has been working for 500 cycles again, the unit will remind descaling again.

Note: Under descaling reminding status, you still can operate the unit normally, and after operation, it will return to descaling reminding status.

TROUBLESHOOTING

PROBLEM	CAUSE	SOLUTION
Coffee does not come out.	<ol style="list-style-type: none"> 1. No water in tank. 2. Coffee grind is too fine. 3. Too much coffee in the filter. 4. Appliance was not turned on or plugged in. 5. Coffee has been tamped/ compressed too much. 	<ol style="list-style-type: none"> 1. Add water 2. Grind medium ground coffee. 3. Fill filter with less coffee. 4. Plug unit into electrical outlet and turn it on. 5. Refill filter basket with coffee, do not tamp too much.
Coffee comes out around the edge of the porta-filter.	<ol style="list-style-type: none"> 1. Porta-filter not rotated to full lock position. 2. Coffee grounds around the filter basket rim. 3. Too much coffee in the filter. 	<ol style="list-style-type: none"> 1. Rotate filter holder to full lock position. 2. Wipe off rim. 3. Fill with less coffee.
Milk is not foamy after frothing or it is not coming out of the frothing tube.	<ol style="list-style-type: none"> 1. It ran out of steam. 2. Milk is not cold enough. 3. Frothing tube is blocked. 	<ol style="list-style-type: none"> 1. Ensure there is enough water in the tank. 2. Chill milk and frothing tank prior to making cappuccino. 3. Follow the instructions to clean the milk tank and frothing tube.
Coffee comes out too quickly.	<ol style="list-style-type: none"> 1. Ground coffee is too coarse. 2. Not enough coffee in filter. 	<ol style="list-style-type: none"> 1. Use a finer grind. 2. Use more coffee.
Coffee is too weak.	<ol style="list-style-type: none"> 1. You are using the small filter for double espresso. 2. Ground coffee is too coarse. 	<ol style="list-style-type: none"> 1. Use large filter for double espresso. 2. Use a finer grind.
The three control panel lights are flashing alternatively.	Water tank is out of water.	Add water to tank.



In compliance with Directives: 2012/19/EU and 2015/863/EU on the restriction of the use of dangerous substances in electric and electronic equipment as well as their waste disposal. The symbol with the crossed dustbin shown on the package indicates that the product at the end of its service life shall be collected as separate waste. Therefore, any products that have reached the end of their useful life must be given to waste disposal centres specialising in separate collection of waste electrical and electronic equipment, or given back to the retailer at the time of purchasing new similar equipment, on a one for one basis. The adequate separate collection for the subsequent start-up of the equipment sent to be recycled, treated and disposed of in an environmentally compatible way contributes to preventing possible negative effects on the environment and health and optimises the recycling and reuse of components making up the apparatus. Abusive disposal of the product by the user involves application of the administrative sanctions according to the laws.

Gracias por elegir nuestra cafetera. Antes de utilizar este electrodoméstico y para asegurar su mejor uso, por favor, lea detenidamente las instrucciones.

Las medidas de seguridad aquí indicadas reducen el riesgo de incendio, descarga eléctrica y lesiones cuando se siguen correctamente. Guarde el manual en un lugar seguro para futuras referencias, así como la garantía, el recibo de compra y la caja. Si procede, entregue estas instrucciones al futuro propietario del electrodoméstico. Siempre siga las instrucciones básicas de seguridad y las medidas de prevención de riesgos cuando utilice un electrodoméstico eléctrico. El fabricante no se responsabilizará de ningún daño derivado del incumplimiento de estas instrucciones por parte del usuario.

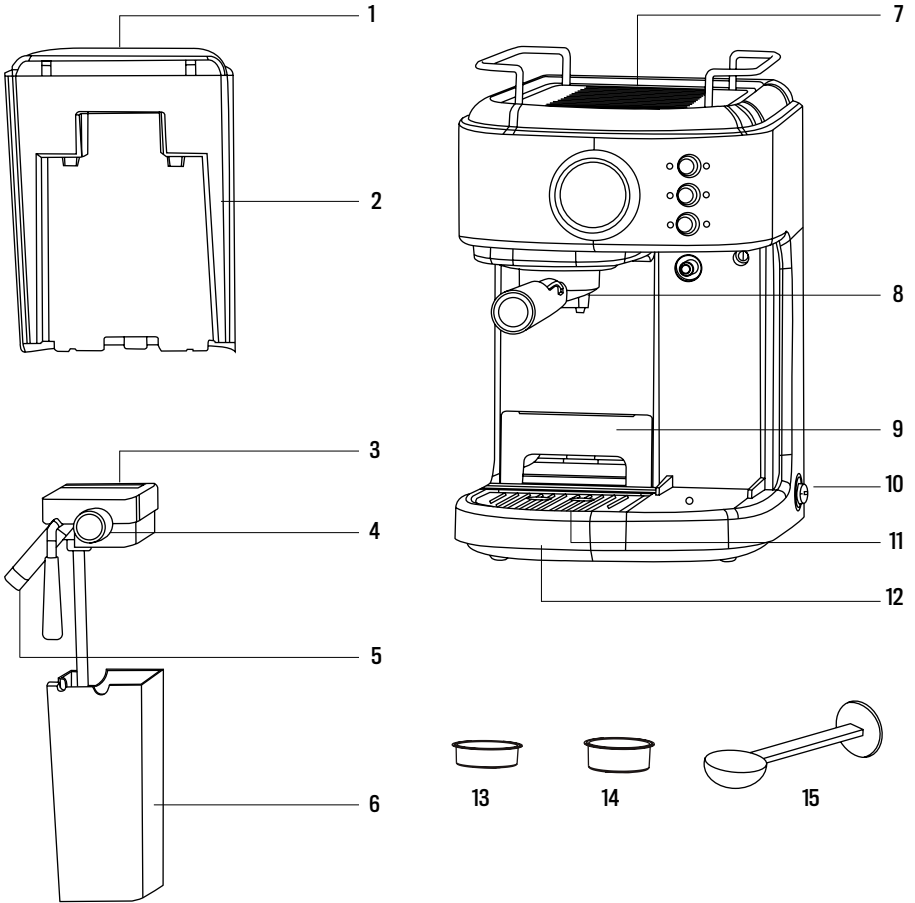
ADVERTENCIAS DE SEGURIDAD

El uso de aparatos eléctricos requiere precauciones de seguridad básicas. Lea atentamente todas las instrucciones.

- Lea todas las instrucciones y guárdelas para futuras consultas.
- Asegúrese de que el voltaje de su toma de corriente corresponda al voltaje indicado en la etiqueta de clasificación de la cafetera.
- Para protegerse contra incendios, descargas eléctricas y lesiones, no sumerja el cable, el enchufe o la unidad en agua u otro líquido.
- Es necesaria una estrecha supervisión cuando cualquier aparato es utilizado por niños o cerca de ellos.
- Desenchufe la cafetera de la toma de corriente cuando no esté en uso y antes de limpiarla. Deje que se enfríe antes de poner o quitar piezas y antes de limpiarla.
- No utilice ningún aparato con un cable o enchufe dañado o tras un daño. Devuelva el aparato a un centro de servicio autorizado para que lo examinen, reparen o ajusten.
- El uso de accesorios no recomendados por el fabricante de la cafetera puede provocar incendios, descargas eléctricas o lesiones a las personas.
- Para desconectar, gire cualquier control a la posición de apagado y luego retire el enchufe de la toma de corriente.
- No toque ninguna superficie caliente, use las asas o perillas provistas.
- No lo utilice al aire libre ni con fines comerciales.
- No deje que el cable cuelgue del borde de ninguna mesa o mostrador, ni toque ninguna superficie caliente.
- Úselo solo en una superficie plana y dura para evitar la interrupción del flujo de aire debajo del aparato.
- Asegúrese siempre de colocar el depósito de agua firmemente en la unidad con la tapa cerrada y llénelo con agua por encima del mínimo antes de encender la cafetera.
- No retire el portafiltro mientras prepara café. Asegúrese de que las tres luces estén encendidas antes de quitar el portafiltro para preparar más café. También se debe tener cuidado al retirar el portafiltro ya que las partes metálicas estarán calientes. Asegúrese de sujetarlo por la empuñadura y de utilizar el clip de retención del filtro para desechar los posos. Se debe tener cuidado al mover la unidad con líquidos calientes.
- No retire el depósito de agua hasta que la unidad esté apagada.

- Este aparato no está diseñado para ser utilizado por medio de un temporizador externo o un sistema de control remoto separado.
- El aparato puede ser utilizado por niños a partir de 8 años y personas con capacidades físicas, sensoriales o mentales reducidas o falta de experiencia y conocimiento si han recibido supervisión o instrucciones sobre el uso del aparato de forma segura y comprenden los peligros involucrados. Los niños no deben jugar con el aparato. Los niños no deben realizar la limpieza y el mantenimiento del usuario a menos que sean mayores de 8 años y estén supervisados.
- Mantenga el aparato y su cable fuera del alcance de los niños menores de 8 años.
- Antes de quitar cualquiera de las piezas y accesorios, asegúrese de que las tres luces estén encendidas, establezca el botón de encendido en la posición de apagado "O" y desenchufe el aparato.
- No retire el portafiltros en ningún momento durante el proceso de preparación.
- Tenga cuidado al retirar el portafiltros. Es posible que las partes metálicas aún estén muy calientes. Además, puede haber agua caliente flotando en la parte superior del filtro. Sujételo solo por la empuñadura y deseche el café molido utilizando el clip de retención del filtro.
- Si el café no gotea, el filtro está bloqueado. Apague el aparato y deje que se enfríe. El bloqueo puede deberse a que el café está molido demasiado fino. Consulte la sección "Resolución de problemas".
- Limpiar la boquilla de vapor: Coloque una taza grande debajo del tubo. Llene el depósito de leche con agua y vuelva a colocarlo en la unidad. Gire la perilla de control de espuma en el sentido de las agujas del reloj hasta la posición de limpieza y luego presione y mantenga presionado el botón de café con leche / limpieza durante 3 segundos y suéltelo para activar la función de limpieza. Deje que la unidad dispense el agua a través de la boquilla durante aproximadamente 30 segundos y luego presione el botón de café con leche / limpieza una vez para detener el proceso.
- No lo coloque sobre, o cerca de, un quemador de gas o eléctrico que esté caliente, o dentro de un horno caliente.
- No utilice la cafetera para otro uso que no sea el indicado.
- No deje la cafetera sin vigilancia.
- Este aparato está diseñado para ser utilizado en instalaciones domésticas y similares, tales como: áreas de cocina para el personal en tiendas, oficinas y otros entornos de trabajo; casas de campo; por clientes en hoteles, moteles y otros entornos de tipo residencial; y alojamientos tipo "bed and breakfast".
- Nunca sumerja el aparato en agua u otros líquidos. Existe peligro de descarga eléctrica.
- Presión: Para evitar posibles quemaduras en partes del cuerpo u otras lesiones por vapor y agua caliente o daños a la unidad, nunca quite el depósito de agua o el portafiltros mientras su cafetera está preparando café o espumando leche. Asegúrese de que las tres luces estén encendidas antes de quitar el portafiltros para preparar tazas de café adicionales. Si necesita agregar más agua o leche a los depósitos, asegúrese de que las tres luces estén encendidas y asegúrese de apagar la unidad presionando el botón rojo en el costado de la unidad en la posición de apagado "O".

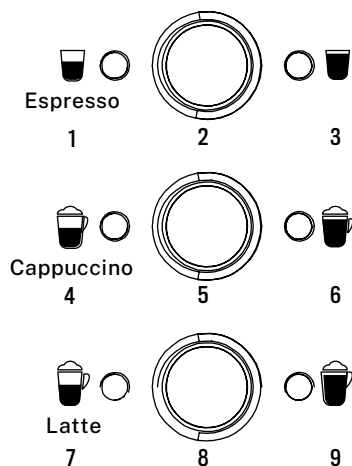
LISTA DE PARTES



1. Tapa del depósito de agua
2. Depósito de agua
3. Tapa del depósito de leche
4. Perilla de control
5. Boquilla de vapor
6. Depósito de leche
7. Decoración de la cubierta superior
8. Portafiltros

9. Soporte para tazas pequeñas
10. Interruptor
11. Placa recogegoteo
12. Bandeja de goteo
13. Filtro para 1 taza
14. Filtro para 2 tazas
15. Cuchara medidora de café y prensadora

PANEL DE CONTROL



1. Taza de café pequeña y luz de café manual
2. Botón de preparación de café manual
3. Taza grande de café y luz de café manual
4. Taza pequeña de capuchino y luz de espuma de leche
5. Botón de espuma de leche
6. Taza grande de capuchino y luz de espuma de leche
7. Taza pequeña de café con leche y luz de limpieza
8. Botón de limpieza
9. Taza grande de café con leche y luz de limpieza

ANTES DEL PRIMER USO

- Limpie y prepare la unidad antes del primer uso.
- Consulte la sección "Lista de piezas" para familiarizarse con el producto e identificar todas las piezas.
- Asegúrese de que la unidad esté apagada en la posición "O" presionando el interruptor ubicado en el lateral de la unidad. Asegúrese de que esté desenchufada de la toma de corriente.
- Retire los adhesivos y etiquetas de la unidad.
- Primero retire y luego lave el depósito de agua, el de leche, los dos filtros, la empuñadura del portafiltro y la cuchara medidora de café en una mezcla de detergente suave y agua. Enjuague bien cada uno y vuelva a colocarlos en la unidad.
- Consulte las instrucciones en la sección "Insertar el filtro" antes de colocar o quitar el portafiltros y el filtro de la unidad.
- Para limpiar el interior del aparato, siga los pasos enumerados en las secciones de limpieza usando agua en ambos depósitos y sin café en el filtro. No sumerja el aparato en agua ni intente acceder a ninguna de sus partes internas.
- **IMPORTANTE:** Antes de usar este producto, recuerde quitar la pieza protectora situada en la parte inferior del depósito de agua, tal y como ordena el adhesivo informativo.

NOTA: Para que su cafetera funcione correctamente una y otra vez, límpiela después de cada uso.

Para preparar la cafetera de manera correcta, ejecute el ciclo de vapor durante 90 segundos siguiendo los pasos a continuación:

1. Llene el depósito de agua entre los niveles "MIN" y "MAX".
 2. Llene el depósito de leche con agua entre los niveles "MIN" y "MAX".
 3. Seleccione uno de los filtros y colóquelo en el portafiltros. Coloque el portafiltros en la unidad asegurándose de que esté correctamente bloqueado y coloque una taza debajo. Además, asegúrese de que la punta de la boquilla de vapor esté dentro de la taza.
 4. Enchufe el aparato en la toma de corriente apropiada.
 5. Encienda el interruptor en la posición "I".
 6. Las seis luces del panel de control comenzarán a parpadear. Una vez que estas luces se queden fijas, presione el botón para preparar capuchinos dos veces.
 7. Una vez que se complete este proceso, las seis luces del panel de control se encenderán de manera fija.
- De este modo, su cafetera ya está preparada y lista para ser utilizada.

SELECCIONE LA TAZA ADECUADA

Antes de preparar su bebida, asegúrese de seleccionar el tamaño de taza correcto según la tabla siguiente:

RELACIÓN TIPO DE BEBIDA		
Café expreso	Una taza ☕	60 ml
	Doble ☕	119 ml
Capuchino	Una taza ☕	178 ml
	Doble ☕	355 ml
Café con leche	Una taza ☕	296 ml
	Doble ☕	474 ml

SELECCIONE EL CAFÉ ADECUADO

• El café:

El café debe estar recién molido y ser de tostado oscuro. Es posible que desee probar un molido de tostado francés o italiano para el expreso. El café premolido solo conservará su sabor durante unos 7 u 8 días, siempre que se almacene en un recipiente hermético y en un lugar fresco y oscuro. No lo almacene en un refrigerador o congelador. Se recomienda moler los granos enteros justo antes de usarlos. Los granos de café almacenados en un recipiente hermético mantendrán su sabor hasta 4 semanas.

• El molido:

Este es un paso vital en el proceso de preparación del café expreso si quiere moler su propio café y requiere práctica. El café debe estar molido fino. La molienda correcta debe verse como sal. Si la molienda es demasiado fina, el agua no fluirá a través del café incluso bajo presión. Estos molidos parecen polvo y se notan como harina cuando se frotran entre los dedos. Si la molienda es demasiado gruesa, el agua fluye a través del café con demasiada rapidez, lo que evita una extracción con sabor. Asegúrese de utilizar un molinillo de calidad para lograr una consistencia uniforme.

BEBIDAS DE CAFÉ

• **Café expreso:**

Un método único de preparación de café en el que el agua caliente pasa a través del café finamente molido. Popular en Europa, es una bebida mucho más rica y con más cuerpo que el café de goteo normal. Debido a su riqueza, el expreso generalmente se sirve en tazas de 44 a 59 ml.

• **Capuchino:**

Una bebida hecha con aproximadamente 1/3 de expreso, 1/3 de leche caliente y 1/3 de espuma de leche.

• **Café con leche:**

Una bebida hecha con aproximadamente 1/4 de expreso y 3/4 de leche caliente.

INSTRUCCIONES DE USO

• **Llenado del depósito de agua:**

1. Llene el depósito de agua. Puede usar una jarra para llenarlo o sacarlo de la unidad y luego llenarlo debajo del grifo. Si lo ha quitado de la unidad para llenarlo de agua, asegúrese de volver a colocarlo firmemente en su lugar. Llene el depósito con la cantidad deseada de agua asegurándose de que esté dentro de las marcas "MIN" y "MAX". Nunca use agua tibia o caliente para llenar el depósito de agua.

2. Cierre la tapa del depósito de agua y vuelva a colocarlo en la unidad asegurándose de que encaje bien.

• **Llenado del depósito de leche:**

1. Si quiere preparar un capuchino o café con leche, retire el depósito de leche de la unidad. Abra la tapa y luego vierta la cantidad de leche fría que estime que necesitará entre los niveles "MIN" y "MAX".

2. Cuando termine, vuelva a colocar el depósito de leche en la unidad asegurándose de que encaje bien.

Nota: Puede utilizar el tipo de leche que prefiera, es decir, leche entera, leche baja en grasa, leche orgánica o de soja.

• **Elección del filtro:**

Seleccione el filtro que debe utilizar dependiendo de las siguientes características:

1. Para una sola taza: Use el filtro para una sola taza de expreso si usa café molido.

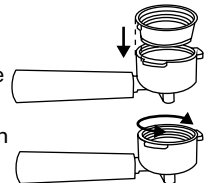
2. Para una taza doble o dos tazas: Use el filtro para una taza doble.

NOTA: El filtro de 1 taza incluido con su unidad se ha diseñado para funcionar también con cápsulas ESE (45 mm).

• **Insertar el filtro:**

1. Para insertar el filtro seleccionado en el portafiltros, asegúrese de alinear la muesca del filtro con la ranura interior del portafiltros.

2. Gire el filtro hacia la izquierda o hacia la derecha para bloquearlo en su lugar. Esto ayudará a asegurar el filtro en el portafiltros.



NOTA: Para quitar y limpiar el filtro, gire el filtro hacia la izquierda o hacia la derecha para alinear la muesca del filtro con la ranura interior del portafiltros.

ADVERTENCIA: Asegúrese de que el filtro se haya enfriado antes de intentar quitarlo.

- **Llenar el filtro con café:**

Coloque el filtro seleccionado en el portafiltros de la siguiente manera:

1. Llene el filtro con café expreso recién molido fino (no lo llene en exceso).

Nota: La cantidad de café molido no puede exceder la marca "MAX".

2. Comprima firme y uniformemente el café molido.

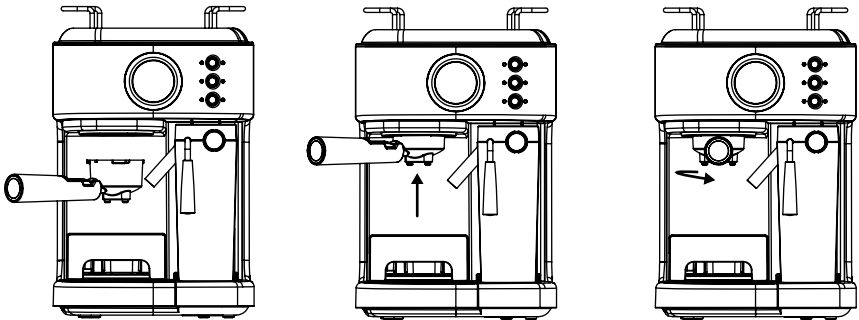
3. Limpie cualquier exceso de café del borde para asegurar un ajuste adecuado con el cabezal de preparación.

- **Colocación del portafiltros:**

1. Coloque el portafiltros debajo del cabezal de preparación. Mueva primero el clip de retención hacia atrás.

2. Coloque la empuñadura del portafiltros de modo que se alinee con el icono del candado abierto en la unidad y encaje en la ranura.

3. Luego, gírelo lentamente hacia la derecha hasta que el clip de retención esté alineado con el símbolo del candado cerrado en la unidad.

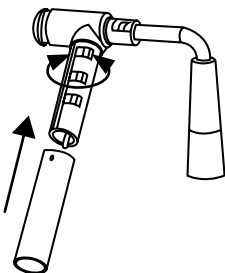
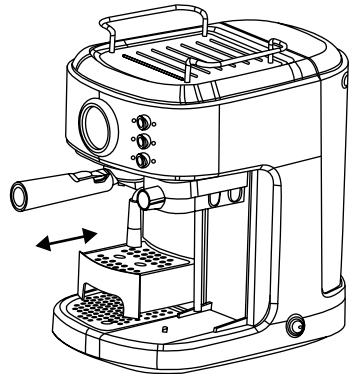


- **Colocación de la(s) taza(s):**

- Extraiga el soporte de la bandeja de goteo si está usando una taza pequeña para preparar expreso.

- Mantenga el soporte de la bandeja de goteo dentro de su compartimento si está usando una taza más grande para preparar capuchino.

- Mantenga el soporte de la bandeja de goteo dentro de su compartimento si está usando una taza más grande para preparar café con leche.



PRECAUCIÓN: Al preparar capuchino o café con leche, asegúrese de ajustar la palanca de la boquilla de vapor para colocarla dentro de la taza que se utilizará. Además, también puede ajustar la longitud de la boquilla de vapor bloqueándola en otra posición de la palanca para adaptarse a diferentes tamaños de tazas. Y puede limpiarla girándola hacia afuera y luego fijarla.

• **Encender la unidad:**

4. Asegúrese de que la unidad esté enchufada.

5. Encienda la unidad en la posición "I". Las seis luces del panel de control comenzarán a parpadear durante el calentamiento y hasta que el agua alcance la temperatura perfecta. Una vez que las seis luces se quedan encendidas fijas, la unidad está lista para usarse.

Nota: La boquilla de vapor está muy caliente, tenga cuidado.

SELECCIONAR LA FUNCIÓN

• **Café exprés:**

1. Presione el botón de café una vez (☐ se ilumina) para preparar una taza de café.
2. Presione el botón de café dos veces (☐ se ilumina) para preparar una taza doble de café.
3. Mantenga presionado el botón de café durante 3 segundos (☐☐ se iluminan al mismo tiempo) para empezar a preparar una taza grande de café. Cuando la cantidad de café sea la que desea, puede presionar cualquier botón para detener esta función y ajustar la cantidad de café.

• Cuando ☐☐ se quedan encendidas fijas, significa que ha terminado de prepararse el café y que puede disfrutar de su espresso.

Advertencia: Una vez que el café haya terminado de prepararse, no saque el filtro inmediatamente, solo espere 10 segundos más o menos.

• **Capuchino:**

Antes de preparar un capuchino, gire la perilla de control de espuma a la posición media, puede ajustar la cantidad de espuma de leche según sus preferencias girando la perilla de control de espuma hacia la derecha para obtener más espuma y hacia la izquierda para obtener menos espuma.

Nota: La intensidad de la espuma se puede ajustar durante el ciclo de preparación.

1. Presione el botón para capuchino una vez para preparar una taza pequeña de capuchino.
2. Presione el botón para capuchino dos veces para preparar una taza grande de capuchino.

La unidad comenzará a preparar el capuchino según su selección. Después de eso, su delicioso capuchino está listo para disfrutar.

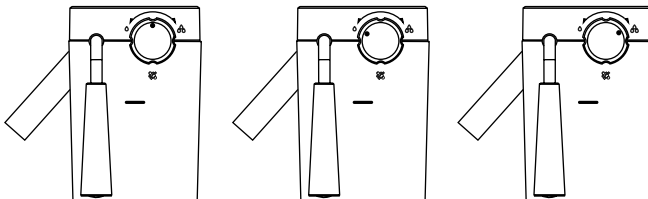
• **Café con leche:**

Antes de preparar su café con leche, ajuste la cantidad de espuma de leche según sus preferencias girando la perilla de control de espuma hacia la derecha para obtener más espuma y hacia la izquierda para obtener menos espuma.

1. Presione el botón para café con leche una vez para preparar una taza pequeña de café con leche.
2. Presione el botón para café con leche dos veces para preparar una taza grande de café con leche.

• **Espuma de leche:**

La unidad también le permite preparar solo espuma de leche.



1. Mantenga presionado el botón para capuchino durante 3 segundos si desea agregar más espuma a su bebida o preparar espuma de leche para cualquier otra bebida, por ejemplo, café macchiato, chocolate caliente, té con leche, etc.
 2. Cuando termine, presione el botón de capuchino una vez más para detenerlo.
- Después de preparar sus bebidas con leche: Una vez que haya terminado de preparar su bebida con leche, puede guardar el depósito de leche de la unidad directamente en el refrigerador (listo para usarlo la próxima vez) o desechar la leche sobrante.
 - Si no se realiza ninguna acción en 15 minutos, la unidad entrará en modo de suspensión, puede presionar cualquier botón para activar la unidad de nuevo.

LIMPIEZA Y MANTENIMIENTO

Lea TODAS las instrucciones, precauciones, notas y advertencias incluidas en este manual de instrucciones detenidamente antes de comenzar a utilizar esta cafetera. Cuando se utiliza esta unidad, algunas piezas y accesorios se calientan y necesitan enfriarse. El cuidado y el mantenimiento adecuados asegurarán una larga vida útil de la cafetera automática para expreso, capuchino y café con leche y su funcionamiento sin problemas. Guarde estas instrucciones y consúltelas con frecuencia para obtener consejos de limpieza y cuidado.

USO CORRECTO DEL CAFÉ MOLIDO PARA CAFETERAS EXPRES

No utilice café molido tostado con azúcar ni granos de café tostados con azúcar, ya que obstruirán el filtro y dañarán el aparato. Si accidentalmente usa café tostado con azúcar, deje de usar la unidad y llévela al centro de servicio más cercano para su mantenimiento. Recomendamos descalcificar la máquina periódicamente para mantenerla en buenas condiciones de funcionamiento. Póngase en contacto con nuestros centros de servicio para conocer este proceso.

DESCALCIFICADO

Con el depósito de leche colocado en su lugar, el aparato le recordará al usuario que realice la descalcificación haciendo que los seis indicadores parpadeen rápidamente de forma alterna. En ese momento, el usuario debe llenar el depósito de agua con 600 ml de agua limpia y un producto descalcificador específico. Después, presione los botones para café expreso y café con leche simultáneamente para que el aparato inicie la descalcificación automáticamente.

Los seis indicadores parpadearán lentamente alternativamente. Después de funcionar durante aproximadamente media hora, los seis indicadores parpadearán de nuevo rápidamente de forma alterna, y luego el usuario deberá vaciar el depósito de agua y volver a llenarlo con 600 ml de agua limpia.

Presione de nuevo los botones para café expreso y café con leche simultáneamente y el aparato continuará realizando la descalcificación. Los seis indicadores parpadearán lentamente de forma alterna y, después de funcionar durante aproximadamente media hora, el aparato se detendrá y volverá al estado de espera.

NOTA:

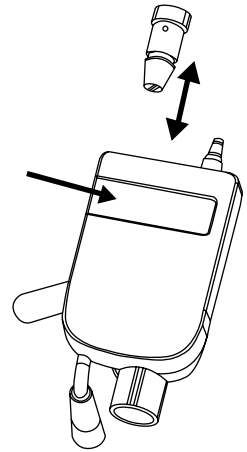
- Puede pulsar cualquier botón de función para realizar la función correspondiente mientras el aparato le esté recordando realizar la descalcificación. Y el aparato seguirá recordándole que realice la descalcificación después de terminar de realizar la función correspondiente.
- El proceso de descalcificación se puede detener en cualquier momento presionando cualquier botón, luego el aparato continuará recordándole al usuario que realice la descalcificación. La cafetera entrará en modo de espera normal solo después de terminar todo el proceso de descalcificación.

LIMPIEZA DEL DEPÓSITO DE LECHE Y DE LA BOQUILLA DE VAPOR

Aunque puede almacenar el depósito de leche con la leche sobrante en el refrigerador, es importante limpiar el depósito y la boquilla de vapor con regularidad para evitar obstrucciones y formación de residuos. Para limpiar el depósito de leche, siga las instrucciones que se enumeran a continuación:

1. Retire el depósito de leche de la unidad.
2. Retire la tapa del depósito.
3. El conector de la boquilla de vapor se puede desconectar girándolo. Puede limpiarlo con agua del grifo. Después de limpiarlo, fíjelo en la tapa del depósito de leche girándolo nuevamente.
4. Al limpiar el depósito de leche, puede abrir la pestaña de silicona (sin sacarla del todo) y lavarla con agua del grifo. Después de limpiarla, vuelva a colocar la pestaña de silicona.
5. Vierta la leche restante y enjuague y lave bien el depósito de leche y su tapa con agua tibia y jabón. Enjuague y seque bien. No utilice limpiadores abrasivos ni estropajos, ya que rayarán el acabado. El depósito de leche también se puede lavar en el lavavajillas (en la bandeja superior). No coloque la tapa del depósito de leche en el lavavajillas.
6. Coloque una taza grande vacía debajo de la boquilla de vapor.
7. Gire la perilla de control de espuma en el sentido de las agujas del reloj hasta la posición de limpieza, luego presione y mantenga presionado el botón de café con leche / limpieza durante 3 segundos y suéltelo para activar la función de limpieza. La unidad comenzará a liberar vapor a través de la boquilla de vapor, déjela funcionar durante unos segundos hasta que no vea leche en la taza. Cuando termine, presione el botón de café con leche / limpieza una vez para detener el proceso.
8. Deseche el agua que quede en el depósito de leche y vuelva a colocarlo en la unidad.

Nota: Para desmontar el depósito de leche, debe levantarlo un poco y luego sacarlo.



LIMPIEZA DEL CABEZAL DE PREPARACIÓN, EL PORTAFILTROS Y EL FILTRO

1. Cambie el botón de encendido en el costado de la unidad a la posición de apagado "0" y desenchufe el cable de alimentación de la toma de corriente.
2. Es posible que algunas de las partes metálicas aún estén calientes. No las toque con las manos hasta que se hayan enfriado.
3. Retire el portafiltros y deseche los posos de café o la cápsula usada. Lave tanto el portafiltros como el filtro con agua tibia y jabón y enjuáguelos bien. No lave el portafiltros ni los filtros en el lavavajillas.
4. Limpie la parte inferior del cabezal de preparación de la unidad con un paño húmedo o una servilleta de papel para eliminar los posos de café que puedan haber quedado.
5. Coloque el portafiltros (sin ningún filtro) nuevamente en el cabezal de preparación de la unidad.
6. Coloque una taza grande vacía debajo del portafiltro.
7. Presione el botón de expreso una vez y deje que la unidad se prepare con agua solo hasta que se detenga automáticamente.

LIMPIEZA DEL DEPÓSITO DE AGUA

Deseche el agua restante quitando el depósito y dándole la vuelta sobre el fregadero. Se recomienda vaciar el depósito de agua entre usos. Lave el depósito de agua con agua jabonosa, enjuáguelo bien y séquelo. El depósito de agua también es apto para lavavajillas.

LIMPIEZA DE LA UNIDAD

1. Limpie la carcasa con un paño suave húmedo. No utilice limpiadores abrasivos o estropajos, ya que rayarán el acabado.
2. No guarde el portafiltros en el cabezal de preparación. Esto puede afectar negativamente al sello entre el cabezal de preparación y el portafiltros mientras se prepara el expreso.

Precaución: No sumerja el aparato en agua.

DESCALCIFICACIÓN DE LA UNIDAD

Los depósitos minerales acumulados en la unidad afectarán al funcionamiento del aparato. Su electrodoméstico debe estar descalcificado cuando comience a notar un aumento en el tiempo requerido para preparar café expreso o cuando haya un exceso de vapor. Además, puede notar una acumulación de depósitos blancos en la superficie del cabezal de preparación.

La frecuencia de limpieza depende de la dureza del agua utilizada. Si usa agua blanda (agua filtrada), la frecuencia de limpieza debe ser cada 80 ciclos de preparación; si está usando agua dura (agua del grifo), la frecuencia de limpieza debe ser cada 40 ciclos de preparación.

• Descalcificación del depósito de agua:

1. Llene el depósito con vinagre blanco doméstico sin diluir.
2. Deje reposar el aparato durante la noche con la solución de vinagre en el depósito de agua.
3. Deseche el vinagre quitando el depósito y volteándolo boca abajo sobre el fregadero.
4. Enjuague bien el depósito de agua con agua del grifo llenando el tanque hasta la mitad con agua y luego vertiendo el agua nuevamente en el fregadero, repitiendo este paso dos veces.

• Descalcificación de las piezas internas:

1. Asegúrese de descalcificar el interior del depósito de agua primero siguiendo los pasos de "Descalcificación" anteriores.
2. Asegúrese de cambiar el botón de encendido a la posición "0" y que el cable de alimentación esté desconectado de la toma de corriente. Llene el depósito con vinagre blanco por encima del nivel mínimo.
3. Inserte el portafiltros (con filtro y sin café) y coloque una jarra o taza normal encima de la bandeja de goteo y debajo del portafiltros.
4. Enchufe el cable de alimentación en la toma de corriente.
5. Presione el botón de encendido para encender la unidad en "I". Una vez que las seis luces del panel de control se vuelvan azules, presione el botón expreso dos veces. El vinagre comenzará a fluir a través de la unidad y se detendrá automáticamente.
6. Coloque un recipiente o taza grande (con una capacidad de al menos 325 ml) debajo de la boquilla. Llene el depósito de leche con agua y vuelva a colocarlo en la unidad. Gire la perilla de control de espuma en el sentido de las agujas del reloj hasta la posición de limpieza, luego presione y mantenga presionado el botón de café con leche durante 3 segundos para activar la función de limpieza. Deje que la unidad dispense el agua a través de la boquilla durante aproximadamente 30 segundos y luego presione el botón de doble café con leche una vez para detener el proceso.

7. Repita los pasos del 1 al 6 según sea necesario usando solo agua del grifo para enjuagar cualquier resto de vinagre restante de la máquina.

• **Modo de descalcificación manual:**

Después de que la unidad haya estado funcionando durante 500 ciclos, entrará en estado de recordatorio de descalcificación. Los indicadores de capuchino y café con leche parpadearán sucesivamente. Si no se descalcifica a tiempo, el sistema interior de preparación puede bloquearse.

Nota: Si desea descalcificar antes de 500 ciclos, puede descalcificar manualmente siguiendo los siguientes pasos:

1. Asegúrese de que el interruptor de alimentación esté en la posición "0" y que el cable de alimentación esté desenchufado. Vierta 400 ml de vinagre blanco y 600 ml de agua en el depósito de agua. Monte el depósito de leche en la unidad, gire la perilla de control de espuma en el sentido de las agujas del reloj hasta la posición de limpieza.
2. Presione el interruptor de encendido a la posición "I", el indicador de capuchino y café con leche parpadearán sucesivamente. Presione el botón de expreso y café con leche al mismo tiempo, la unidad iniciará el modo de descalcificación automáticamente. Las 6 luces indicadoras parpadearán girando en círculo en el sentido de las agujas del reloj, la boquilla de vapor producirá agua caliente y vapor. Después de 10 minutos, la unidad entrará en modo de espera y las 6 luces indicadoras se iluminarán.
3. Deseche la solución descalcificadora residual y limpie el depósito de agua, llene la cantidad adecuada de agua limpia, prepare dos tazas de expreso seguidas y luego prepare dos tazas de café con leche seguidas. La limpieza terminará y las 6 luces indicadoras se iluminarán. La unidad volverá al modo de espera y después de que la unidad haya estado funcionando durante 500 ciclos nuevamente, la unidad recordará la descalcificación nuevamente.

Nota: En el estado de recordatorio de descalcificación, aún puede utilizar la unidad normalmente y, después del funcionamiento, volverá al estado de recordatorio de descalcificación.

SOLUCIÓN DE PROBLEMAS

PROBLEMA	CAUSE	SOLUCIÓN
El café no sale.	<ol style="list-style-type: none"> 1. No hay agua en el depósito. 2. El café molido es demasiado fino. 3. Demasiado café en el filtro. 4. El electrodoméstico no estaba encendido o enchufado. 5. El café ha sido prensado / comprimido demasiado. 	<ol style="list-style-type: none"> 1. Agregar agua 2. Moler café molido mediano. 3. Llene el filtro con menos café. 4. Enchufe la unidad en una toma de corriente y enciéndala. 5. Vuelva a llenar el filtro con café, no lo preense demasiado.
El café sale por el borde del portafiltros.	<ol style="list-style-type: none"> 1. El portafiltros no se ha girado a la posición de bloqueo total. 2. Café molido alrededor del borde del filtro. 3. Demasiado café en el filtro. 	<ol style="list-style-type: none"> 1. Gire el soporte del filtro a la posición de bloqueo total. 2. Limpie el borde. 3. Rellene con menos café.
La leche no es espumosa después de espumar o no sale por la boquilla de vapor.	<ol style="list-style-type: none"> 1. Se quedó sin vapor. 2. La leche no está lo suficientemente fría. 3. La boquilla de vapor está bloqueada. 	<ol style="list-style-type: none"> 1. Asegúrese de que haya suficiente agua en el depósito. 2. Enfríe la leche y la jarra para hacer espuma antes de preparar el capuchino. 3. Siga las instrucciones para limpiar los depósitos de leche y la boquilla de vapor.
El café sale demasiado rápido.	<ol style="list-style-type: none"> 1. El café molido es demasiado grueso. 2. No hay suficiente café en el filtro. 	<ol style="list-style-type: none"> 1. Use una molienda más fina. 2. Use más café.
El café es demasiado débil.	<ol style="list-style-type: none"> 1. Está utilizando el filtro pequeño para expreso doble. 2. El café molido es demasiado grueso. 	<ol style="list-style-type: none"> 1. Use un filtro grande para expreso doble. 2. Use una molienda más fina.
Las tres luces del panel de control parpadean alternativamente.	El depósito de agua está vacío.	Agregue agua al depósito.



En cumplimiento de las directivas: 2012/19 / UE y 2015/863 / UE sobre la restricción del uso de sustancias peligrosas en equipos eléctricos y electrónicos, así como su eliminación de residuos. El símbolo con el cubo de basura cruzado que se muestra en el paquete indica que el producto al final de su vida útil se recogerá como residuo separado. Por lo tanto, cualquier producto que haya llegado al final de su vida útil debe entregarse a centros de eliminación de residuos especializados en la recogida selectiva de equipos eléctricos y electrónicos de desecho, o devolverse al minorista al momento de comprar equipos nuevos similares, en uno para Una base. La recolección separada adecuada para la posterior puesta en marcha de los equipos enviados para ser reciclados, tratados y eliminados de una manera compatible con el medio ambiente contribuye a prevenir posibles efectos negativos sobre el medio ambiente y la salud y optimiza el reciclaje y la reutilización de los componentes que componen el aparato. La eliminación abusiva del producto por parte del usuario implica la aplicación de las sanciones administrativas de acuerdo con las leyes.

PORTUGUÊS

Obrigado por escolher nossa máquina de café. Antes de usar o aparelho, e para garantir o melhor uso, leia atentamente estas instruções.

As precauções de segurança aqui contidas reduzem o risco de morte, ferimentos e choque elétrico quando observadas corretamente. Guarde o manual em local seguro para referência futura, junto com o cartão de garantia preenchido, recibo de compra e embalagem. Se aplicável, passe essas instruções ao próximo proprietário do aparelho. Sempre siga as precauções básicas de segurança e as medidas de prevenção de acidentes ao usar um aparelho elétrico. Não assumimos qualquer responsabilidade pelo cliente não cumprir esses requisitos.

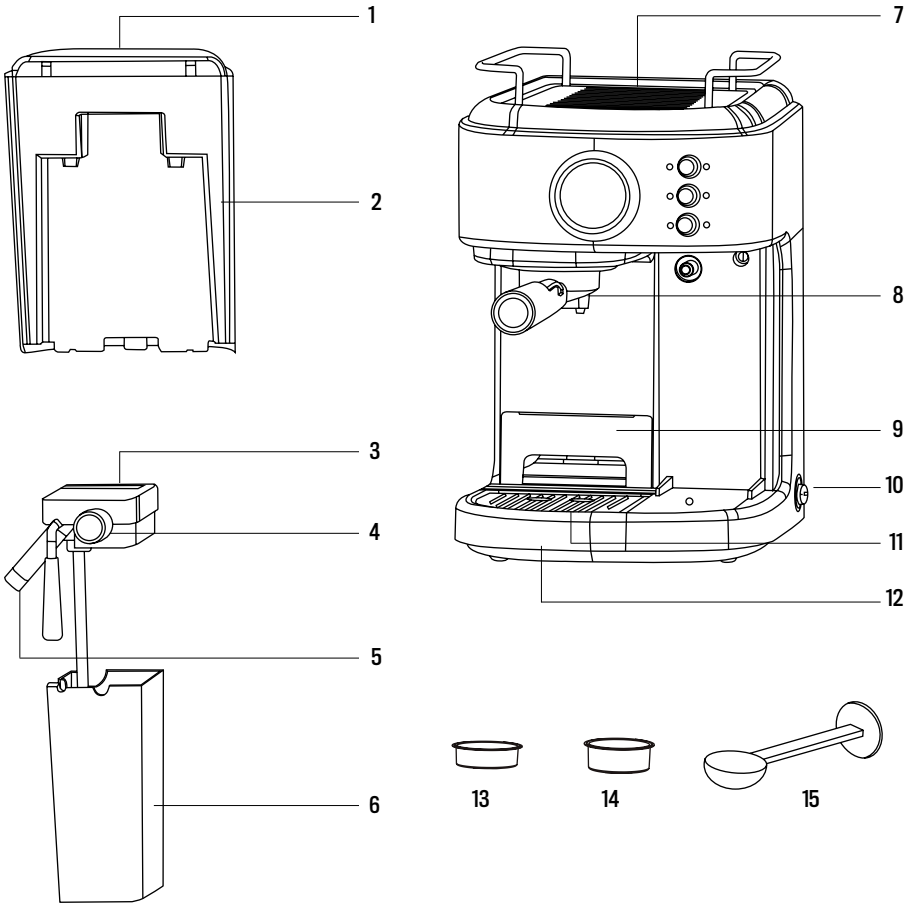
AVISOS DE SEGURANÇA

Ao usar qualquer aparelho elétrico, as precauções básicas de segurança devem sempre ser observadas.

- Leia todas as instruções e guarde-as para referência futura.
- Certifique-se de que a voltagem da tomada corresponde à voltagem indicada na etiqueta de classificação da cafeteira.
- Para proteger contra incêndio, choque elétrico e ferimentos pessoais, não mergulhe o cabo, plugue ou unidade em água ou outro líquido.
- É necessária supervisão cuidadosa quando qualquer aparelho for usado por ou perto de crianças.
- Desligue da tomada quando não estiver em uso e antes de limpar. Deixe esfriar antes de colocar ou retirar peças e antes de limpar o aparelho.
- Não opere nenhum aparelho com um cabo ou plugue danificado ou após o mau funcionamento do aparelho ou tenha sido danificado de qualquer maneira. Devolva o aparelho a um serviço autorizado para exame, reparo ou ajuste.
- O uso de acessórios não recomendados pelo fabricante do aparelho pode resultar em incêndio, choque elétrico ou ferimentos em pessoas.
- Para desconectar, coloque qualquer controle na posição desligado e remova o plugue da tomada.
- Não toque em nenhuma superfície quente, use alças ou botões.
- Não use ao ar livre ou para fins comerciais.
- Não deixe o cabo pendurado na borda de qualquer mesa ou balcão, nem toque em qualquer superfície quente.
- Use apenas em uma superfície plana e dura, para evitar a interrupção do fluxo de ar sob o aparelho.
- Certifique-se sempre de colocar o reservatório de água firmemente de volta na unidade com a tampa fechada e encher com água no mínimo ou acima do mínimo antes de ligar o aparelho.
- Não remova o porta-filtro durante a preparação do café. Certifique-se de que as três luzes estejam acesas antes de remover o porta-filtro para fazer café adicional. Também deve-se ter cuidado ao remover o porta-filtro, pois as partes metálicas estarão quentes. Certifique-se de segurá-lo pela alça e de usar o clipe de retenção do filtro para descartar o solo. Deve-se ter cuidado ao mover a unidade com líquidos quentes.
- Não remova o reservatório de água até que a unidade seja desligada.

- Este aparelho não se destina a ser operado por meio de um temporizador externo ou sistema de controle remoto separado.
- O aparelho pode ser utilizado por crianças a partir dos 8 anos de idade e por pessoas com capacidades físicas, sensoriais ou mentais reduzidas ou com falta de experiência e conhecimento, caso tenham recebido supervisão ou instruções sobre a utilização do aparelho de forma segura e compreendam os perigos envolvidos. As crianças não devem brincar com o aparelho. A limpeza e manutenção pelo usuário não devem ser feitas por crianças, a menos que tenham mãis de 8 anos e sejam supervisionadas.
- Mantenha o aparelho e o cabo fora do alcance de crianças com menos de 8 anos.
- Antes de remover qualquer uma das peças e acessórios, certifique-se de que as três luzes estejam acesas, pressione o botão liga / desliga para a posição desligada “O” e desconecte o aparelho.
- Não remova o porta-filtro em nenhum momento durante o processo de preparação.
- Tenha cuidado ao remover o porta-filtro. As peças de metal ainda podem estar muito quentes. Além disso, pode haver água quente fluando na parte superior do filtro. Segure-o apenas pela alça e descarte o café moído usando a presilha de retenção do filtro.
- Se o café não pingar, o filtro está entupido. Desligue o aparelho e deixe-o esfriar. O bloqueio pode ser causado pelo fato de o café ser muito fino. Consulte a seção “Solução de problemas”.
- Ao limpar o tubo distribuidor de leite com espuma: Coloque um copo grande sob o tubo. Encha o reservatório de leite com água e coloque-o de volta na unidade. Gire o botão de controle de espuma no sentido horário para a posição de limpeza e, em seguida, pressione e segure o botão Latte / Clean por 3 segundos e solte para ativar a função de limpeza. Deixe a unidade dispensar a água pelo tubo por aproximadamente 30 segundos e pressione o botão Latte / Clean uma vez para interromper o processo.
- Não coloque sobre ou próximo a um gás quente ou queimador elétrico, ou em um forno aquecido.
- Não use o aparelho para outro fim que não o pretendido.
- Não deixe o aparelho ligado sem vigilância.
- Este aparelho destina-se a ser utilizado em aplicações domésticas e semelhantes, tais como: cozinhas de funcionários em lojas, escritórios e outros ambientes de trabalho; casas de fazenda; por clientes em hotéis, motéis e outros ambientes residenciais; e ambientes do tipo pousada.
- Nunca mergulhe o aparelho em água ou outros líquidos. Existe perigo de choque elétrico.
- Pressão: Para evitar possíveis queimaduras em partes do corpo e / ou outras lesões por vapor quente e água ou danos à unidade, nunca remova o reservatório de água ou o porta-filtro enquanto sua máquina de café expresso / cappuccino estiver fazendo café ou espumando. Certifique-se de que as três luzes estejam acesas antes de remover o porta-filtro para fazer outras xícaras de café. Se precisar adicionar mais água ou leite aos reservatórios, certifique-se de que as três luzes estejam acesas e desligue a unidade pressionando o botão vermelho na lateral da unidade para a posição desligada “O”.

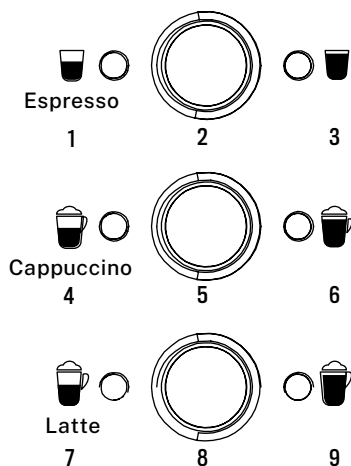
LISTA DE PEÇAS



1. Tampa do tanque de água
2. Tanque de água
3. Tampa do tanque de leite
4. Interruptor
5. Bocal de espuma
6. Tanque de leite
7. Decoração da capa superior
8. Suporte de filtro

9. Suporte para copos pequenos
10. Botão
11. Placa de gotejamento
12. Bandeja coletora
13. Filtro de 1 xícara
14. Filtro de 2 xícaras
15. Colher de café e tamper

PAINEL DE CONTROLE



1. Xícara de café pequena e luz de café manual
2. Botão de preparação manual
3. Grande xícara de café e luz de café manual
4. Xícara pequena de cappuccino e luz de espuma de leite
5. Botão de espuma de leite
6. Copo grande de cappuccino e luz de espuma de leite
7. Pequeno copo de café com leite e luz de limpeza
8. Botão de limpeza
9. Copo grande de café com leite e luz de limpeza

ANTES DO PRIMEIRO USO

- Limpe e prepare a unidade antes do primeiro uso.
- Consulte a seção “Lista de peças” para se familiarizar com o produto e identificar todas as peças.
- Certifique-se de que a unidade está desligada “O” pressionando o interruptor localizado na lateral da unidade. Certifique-se de que ele esteja desconectado da tomada elétrica.
- Remova adesivos e etiquetas da unidade.
- Primeiro retire e lave o reservatório de água, o reservatório de leite, os dois filtros, o suporte de filtro e a colher de café em uma mistura de detergente neutro e água. Enxágue bem cada um e coloque-os de volta na unidade.
- Consulte as instruções na seção “Inserindo o filtro” antes de colocar ou remover o suporte de filtro e o filtro da unidade.
- Para limpar o interior do aparelho, siga os passos indicados nas seções de limpeza usando água em ambos os reservatórios e sem café no filtro. Não mergulhe o aparelho em água nem tente alcançar qualquer uma das suas partes internas.
- **IMPORTANTE:** Antes de utilizar este produto, lembre-se de retirar a peça protetora localizada na parte inferior do reservatório de água, conforme solicitado na etiqueta de informações.




NOTA: Para que a sua unidade funcione corretamente sempre, limpe-a após cada utilização.

Para preparar a unidade, execute o ciclo de vapor por 90 segundos, seguindo as etapas abaixo:

- 1 Encha o tanque de água entre os níveis “Min” e “Max”.
 - 2 Encha o tanque de leite com água entre os níveis “Min” e “Max”.
 - 3 Selecione um dos filtros e coloque-o no suporte de filtro. Coloque o suporte de filtro na unidade, garantindo que esteja devidamente travado, e coloque um copo sob ele. Além disso, certifique-se de que a ponta do tubo dispensador de leite com espuma esteja dentro do copo.
 - 4 Conecte o aparelho na tomada apropriada.
 - 5 Ligue o interruptor “I”.
 - 6 As seis luzes do painel de controle começarão a piscar. Assim que as luzes ficarem sólidas, pressione o botão cappuccino duas vezes.
 - 7 Quando esse processo for concluído, as seis luzes do painel de controle se acenderão continuamente.
- Agora sua unidade foi preparada e está pronta para ser usada.

SELECIONE O COPO CERTO

Antes de preparar sua bebida, certifique-se de selecionar o tamanho correto do copo de acordo a seguinte tabela:

RELAÇÃO DE TIPO DE BEBIDA		
Expresso	Uma xícara 	60 ml
	Duplo 	119 ml
Cappuccino	Uma xícara 	178 ml
	Duplo 	355 ml
Café com leite	Uma xícara 	296 ml
	Duplo 	474 ml

SELECIONE O CAFÉ CERTO

• O café:

O café deve ser moído na hora e torrado escuro. Você pode querer experimentar um torrado francês ou italiano para o café expresso. O café pré-moído só mantém o sabor por 7 a 8 dias, desde que seja armazenado em recipiente hermético e em local fresco e escuro. Não guarde na geladeira ou freezer. Recomenda-se que os grãos inteiros sejam moídos antes do uso. Os grãos de café armazenados em um recipiente hermético manterão seu sabor por até 4 semanas.

• A moagem

Esta é uma etapa vital no processo de fabricação do expresso se você estiver moendo seu próprio café e requer prática. O café deve ser de boa moagem.

A moagem correta deve ser semelhante ao sal.

Se a moagem for muito fina, a água não fluirá pelo café, mesmo sob pressão. Esses grãos parecem pó e parecem farinha quando esfregados entre os dedos.

Se a moagem for muito grossa, a água flui pelo café muito rápido, impedindo a extração com todo o sabor.

Certifique-se de usar um moedor de qualidade para obter consistência uniforme.

BEBIDAS DE CAFÉ

• Espresso:

Um método único de preparação de café em que a água quente é forçada através do café finamente moído. Popular na Europa, é uma bebida muito mais rica e encorpada do que o café de gotejamento regular. Por causa de sua riqueza, o expresso é normalmente servido em xícaras de 44 a 59 ml.

• Cappuccino:

Uma bebida feita com cerca de 1/3 de café expresso, 1/3 de leite vaporizado e 1/3 de leite com espuma.

• Café com leite:

Uma bebida feita com cerca de 1/4 de café expresso e 3/4 de leite vaporizado.

INSTRUÇÕES DE OPERAÇÃO

• Encha o tanque de água:

1. Encha o tanque de água com água, você pode usar uma jarra para enchê-lo ou removê-lo da unidade e, em seguida, enchê-lo na torneira. Se você o removeu da unidade para encher com água, certifique-se de colocá-lo de volta firmemente no lugar. Encha o reservatório com a quantidade desejada de água, garantindo que fique dentro das marcações “MIN” e “MAX” do tanque. Nunca use água morna ou quente para encher o reservatório de água.
2. Feche a tampa do reservatório de água e coloque-o de volta na unidade, garantindo que esteja bem encaixado.

• Encha o tanque de leite:

1. Se você planeja preparar cappuccino ou latte, remova o tanque de leite da unidade. Abra a tampa e despeje a quantidade de leite frio que você estima que precisará entre os níveis “MIN” e “MAX”.
2. Quando terminar, coloque o tanque de leite de volta na unidade garantindo que ele se encaixe bem.

Nota: Você pode usar o tipo de leite de sua preferência, ou seja, leite integral, leite com baixo teor de gordura, orgânico ou leite de soja.

• Escolha o filtro:

Selecione o filtro a ser usado da seguinte maneira:

1. Para uma única xícara: Use o filtro para uma única xícara de café expresso se usar café moído.
2. Para uma xícara dupla ou duas xícaras: Use o filtro para uma xícara dupla.

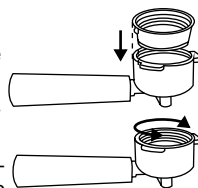
NOTA: O filtro de pod incluído com sua unidade foi projetado para funcionar apenas com pods ESE (45 mm).

• Insira o filtro:

1. Para inserir o filtro selecionado no suporte de filtro, certifique-se de alinhar o entalhe no filtro com a ranhura dentro do suporte de filtro.
2. Gire o filtro para a esquerda ou direita para travar no lugar. Isso ajudará a proteger o filtro no suporte de filtro.

NOTA: Para remover e limpar o filtro, gire o filtro para a esquerda ou direita para alinhar o entalhe do filtro com a ranhura dentro do suporte de filtro.

ATENÇÃO: Certifique-se de que o filtro esfriou antes de tentar removê-lo.



- **Preencher com café:**

Coloque o filtro selecionado no suporte de filtro da seguinte forma:

1. Encha o filtro com café expresso fresco e moído (não encha demais).

Nota: A quantidade de café moído não pode ultrapassar a marca MAX.

2. Tampe e comprima firme e uniformemente o café moído.

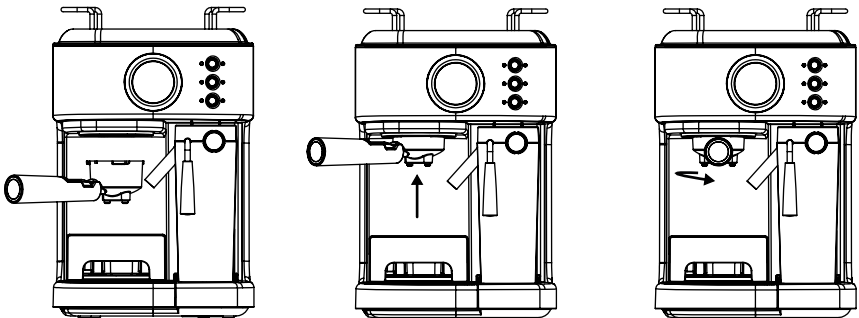
3. Limpe qualquer excesso de café da borda para garantir o encaixe adequado sob o cabeçote de café.

- **Coloque o suporte de filtro:**

1. Coloque o suporte de filtro sob a cabeça de infusão, prenda o suporte de filtro movendo primeiro o clipe de retenção para trás.

2. Coloque a alça de forma que se alinhe com o ícone de cadeado aberto na unidade e se encaixe na ranhura.

3. Em seguida, gire-o lentamente para a direita até que o clipe de retenção esteja alinhado com o símbolo de cadeado fechado na unidade.

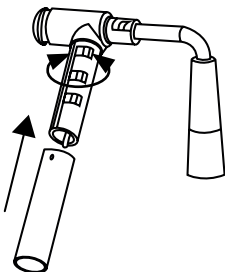
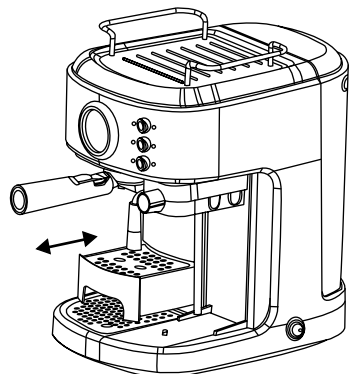


- **Coloque uma(s) xícara(s):**

- Retire o suporte da bandeja coletora se estiver usando uma xícara pequena para preparar café expresso.

- Mantenha o suporte da bandeja coletora dentro de seu compartimento se estiver usando uma xícara maior para preparar o cappuccino.

- Mantenha o suporte da bandeja coletora dentro do compartimento se estiver usando um copo maior para preparar café com leite.



CUIDADO: Ao preparar cappuccino ou café com leite, certifique-se de ajustar a alavanca do tubo de espuma para posicionar o tubo de distribuição de espuma de leite dentro do copo a ser usado. Além disso, você também pode ajustar o comprimento do tubo de distribuição de leite com espuma travando-o em outra posição da alavanca do tubo de espuma para se adaptar a diferentes tamanhos de xícaras. E você pode limpá-lo girando-o para fora e depois fixando-o.

• **Ligue a unidade:**

1. Certifique-se de que a unidade esteja conectada.
2. Ligue a unidade na posição “I”. As seis luzes do painel de controle começarão a piscar durante o aquecimento e até que a água atinja a temperatura ideal. Assim que as seis luzes ficarem sólidas, a unidade estará pronta para uso.

Nota: O tubo de espumação está muito quente, por favor tome cuidado.

SELECIONE A FUNÇÃO

• **Espresso:**

1. Pressione o botão café uma vez (☐ acende) para distribuir uma única xícara de café.
 2. Pressione o botão café duas vezes (☐ acende) para distribuir uma xícara dupla de café.
 3. Pressione e segure o botão café por 3 segundos (☐☐ acenda ao mesmo tempo) para preparar uma xícara grande de café. Quando a quantidade de café atingir sua necessidade, você pode pressionar qualquer botão para parar de trabalhar.
- A unidade pode preparar café expresso de acordo com sua configuração e pode parar automaticamente. Quando a luz ☐☐ está sólida, significa que a infusão terminou e você pode desfrutar do seu expresso.

Atenção: Depois que a cafeteira terminar de preparar, não retire o filtro imediatamente, apenas espere mais ou menos 10 segundos.

• **Cappuccino:**

Antes de preparar o cappuccino, gire o botão de controle de espuma para a posição central, você pode ajustar a quantidade de leite com espuma de acordo com sua preferência girando o botão de controle de espuma para a direita para mais espuma e para a esquerda para menos espuma.

Nota: A intensidade da espuma pode ser ajustada durante o ciclo de preparação.

1. Pressione o botão Cappuccino uma vez para preparar uma xícara pequena de cappuccino.
 2. Pressione o botão Cappuccino duas vezes para preparar uma xícara grande de cappuccino.
- A unidade começará a preparar o cappuccino de acordo com sua seleção. Depois disso, seu delicioso cappuccino está pronto para ser saboreado.

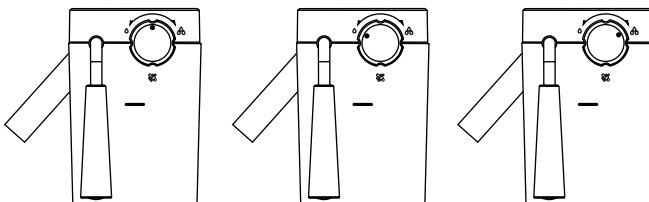
• **Café com leite:**

Antes de preparar seu café com leite, ajuste a quantidade de leite com espuma de acordo com sua preferência girando o botão de controle de espuma para a direita para obter mais espuma e para a esquerda para obter menos espuma.

1. Pressione o botão Latte uma vez para preparar uma pequena xícara de latte.
2. Pressione o botão Latte duas vezes para preparar uma xícara grande de café com leite.

• **Leite com espuma:**

A unidade também permite preparar apenas leite com espuma.



1. Pressione e segure o botão Cappuccino por 3 segundos se desejar adicionar mais espuma à sua bebida ou preparar espuma de leite para qualquer outra bebida, por exemplo, macchiato, chocolate quente, chá com leite, etc.
 2. Quando terminar, pressione o botão Cappuccino mais uma vez para interromper.
- Depois de preparar suas bebidas com leite: Assim que terminar de preparar sua bebida com leite, você pode armazenar o reservatório de leite da unidade diretamente na geladeira (pronto para ser usado na próxima vez) ou descartar o leite restante.
 - Se não houver nenhuma operação em 15 minutos, a unidade entrará no modo de espera, você pode pressionar qualquer botão para acordar a unidade.

LIMPEZA E MANUTENÇÃO

Leia TODAS as instruções, cuidados, notas e avisos incluídos neste manual de instruções cuidadosamente antes de começar a usar este aparelho. Quando esta unidade é usada, algumas peças e acessórios esquentam e precisam ser resfriados. O cuidado e a manutenção adequados garantirão a longa vida útil da máquina automática de café expresso, cappuccino e latte e sua operação sem problemas. Guarde estas instruções e consulte-as com frequência para dicas de limpeza e cuidados.

USO CORRETO DE CAFÉ MOÍDO PARA MÁQUINAS DE CAFÉ EXPRESSO

Não utilize café torrado com açúcar ou grãos de café torrados com açúcar, pois podem entupir o filtro e danificar o aparelho. Se café torrado com açúcar for usado acidentalmente, pare de usar a unidade e leve-a ao centro de serviço mais próximo para manutenção. Recomendamos descalcificar a máquina periodicamente para mantê-la em boas condições de funcionamento. Entre em contato com nossos centros de serviço para saber mais sobre este processo.

DESCALCIFICAÇÃO

Com o reservatório de leite posicionado, o aparelho lembrará o usuário de realizar a descalcificação, fazendo com que os seis indicadores piscem alternadamente rapidamente. Nesse momento, o usuário deve encher o tanque de água com 600 ml de água limpa e descalcificador dedicado, pressionar os botões Espresso e Latte simultaneamente e, em seguida, o aparelho entra automaticamente na condição de descalcificação.

Em seguida, os seis indicadores pisarão lentamente alternadamente, após trabalhar por cerca de meia hora, os seis indicadores pisarão rapidamente alternadamente e, em seguida, o usuário deve esvaziar o tanque de água e enchê-lo com 600 ml de água limpa.

Depois disso, pressione os botões Espresso e Latte simultaneamente novamente e o aparelho continuará a realizar a descalcificação. Os seis indicadores pisarão lentamente alternadamente, após trabalhar por cerca de meia hora, o aparelho irá parar de funcionar e voltar ao estado de espera.

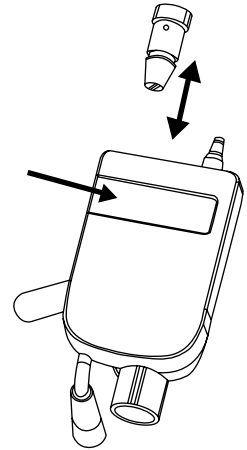
NOTA:

- Você pode pressionar qualquer botão funcional para executar a função correspondente quando o aparelho o lembrar de realizar a descalcificação. E o aparelho continuará a lembrá-lo de realizar a descalcificação após terminar de executar a função correspondente.
- O processo de descalcificação pode ser interrompido a qualquer momento pressionando qualquer botão, então o aparelho continuará a lembrar o usuário de realizar a descalcificação. E o aparelho só entrará no modo de espera normal após terminar todo o processo de descalcificação.

LIMPEZA DO RESERVATÓRIO DE LEITE E TUBO DE ESPUMAÇÃO

Mesmo que você possa armazenar o reservatório de leite com as sobras de leite na geladeira, é importante limpar o reservatório e o tubo de espumação regularmente para evitar entupimento e formação de resíduos. Para limpar o reservatório de leite, siga as instruções listadas abaixo:

1. Remova o reservatório de leite da unidade.
 2. Remova a tampa do reservatório.
 3. O conector do tubo de vapor pode ser removido girando-o. Você pode limpá-lo com água. Após a limpeza, fixe-o na tampa do reservatório de leite girando-o novamente.
 4. Ao limpar o reservatório de leite, você pode abrir a lâmina de silicone (não puxar para fora), lave com água corrente. Após a limpeza, coloque de volta a folha de silicone.
 5. Despeje o leite restante e enxágue e lave o reservatório de leite e sua tampa com água morna e sabão. Enxágüe e seque bem. Não use produtos de limpeza abrasivos e esfregões, pois podem arranhar o acabamento. O reservatório de leite também pode ser lavado na máquina de lavar louça (prateleira superior). Não coloque a tampa do reservatório de leite na máquina de lavar louça.
 6. Coloque um copo grande vazio sob o tubo de espumação.
 7. Gire o botão de controle de espuma no sentido horário para a posição de limpeza, pressione e segure o botão latte / clean por 3 segundos e solte para ativar a função de limpeza. A unidade começará a liberar vapor através do tubo de espumação, deixe-o correr por alguns segundos até que você não veja mais leite no copo. Quando terminar, pressione o botão Latte / limpar uma vez para interromper o processo.
 - 8 Descarte a água que sobrou no reservatório de leite e coloque-a de volta na unidade.
- Nota:** Para desmontar o reservatório de leite, deve-se levantá-lo um pouco e puxá-lo para fora.



LIMPEZA DA CABEÇA DE INFUSÃO, O PORTA-FILTRO E O FILTRO

1. Coloque o botão liga / desliga na lateral da unidade na posição desligada "O" e desconecte o cabo de alimentação da tomada elétrica.
2. Algumas das peças de metal ainda podem estar quentes. Não toque neles com as mãos até que esfriem.
3. Remova o porta-filtro e descarte a borra de café ou a saca usada. Lave o porta-filtro e o filtro com água morna e sabão e enxágue-os bem. Não lave o porta-filtro e filtros na máquina de lavar louça.
4. Limpe a parte inferior da cabeça do café na unidade com um pano úmido ou toalha de papel para remover qualquer pó de café que possa ter ficado.

LIMPEZA DO RESERVATÓRIO DE ÁGUA

Descarte a água restante removendo o reservatório e virando-o de cabeça para baixo sobre a pia. Recomenda-se esvaziar o reservatório de água entre os usos. Lave o reservatório de água com água e sabão, enxágue bem e seque-o. O reservatório de água também pode ser lavado na máquina de lavar louça.

LIMPEZA DA UNIDADE

1. Limpe a caixa com um pano úmido macio. Não use produtos de limpeza abrasivos ou esfregões, pois podem arranhar o acabamento.
2. Não armazene o porta-filtro na cabeça de infusão. Isso pode afetar adversamente a vedação entre a cabeça de infusão e o porta-filtro durante a infusão de café expresso.

Cuidado: Não mergulhe o aparelho em água.

DESCALCIFICAÇÃO DA UNIDADE

Depósitos minerais acumulados na unidade afetarão o funcionamento do aparelho. O seu aparelho deve ser delimitado quando começar a notar um aumento do tempo necessário para a preparação do expresso, ou quando houver vaporização excessiva. Além disso, você pode notar um acúmulo de depósitos brancos na superfície da cabeça de infusão.

A frequência da limpeza depende da dureza da água utilizada. Se você estiver usando água mole (água filtrada), a frequência de limpeza deve ser a cada 80 ciclos de preparação; se você estiver usando água dura (água da torneira), a frequência de limpeza deve ser a cada 40 ciclos de preparação.

• Descalcificar o reservatório de água:

1. Encha o reservatório com vinagre doméstico branco não diluído.
2. Deixe o aparelho descansar durante a noite com a solução de vinagre no reservatório de água.
3. Descarte o vinagre removendo o reservatório e virando-o de cabeça para baixo sobre a pia.
4. Enxágue bem o reservatório de água com água da torneira, enchendo o tanque até a metade com água e despeje a água de volta na pia, repetindo esta etapa duas vezes.

• Descalcificar peças internas:

1. Certifique-se de limpar o interior do reservatório de água primeiro seguindo as etapas de “Descalcificação” acima.
2. Certifique-se de colocar o botão liga / desliga na posição “O” e o cabo de alimentação está desconectado da tomada elétrica. Encha o reservatório com vinagre branco acima do nível mínimo.
3. Insira o porta-filtro (com filtro e sem café) e coloque um pote ou xícara comum em cima da pingadeira e sob o porta-filtro.
4. Conecte o cabo de alimentação na tomada elétrica.
5. Pressione o botão liga / desliga para ligar a unidade “I”. Quando as seis luzes do painel de controle ficarem azuis, pressione o botão Espresso duas vezes. O vinagre começará a fluir pela unidade e parará automaticamente.
6. Coloque um frasco ou copo grande (com capacidade de pelo menos 325ml) sob o tubo. Encha o reservatório de leite com água e coloque-o de volta na unidade. Gire o botão de controle do Espuma no sentido horário para a posição de limpeza, então pressione e segure o Botão Latte por 3 segundos para ativar a função de limpeza. Deixe a unidade dispensar a água através do tubo por aproximadamente 30 segundos e pressione o botão Double Latte uma vez para interromper o processo.

7. Repita as etapas 1 a 6 conforme necessário, usando apenas água da torneira para enxaguar todos os vestígios de vinagre restantes da máquina.

• **Modo de descalcificação manual:**

Depois que a unidade estiver trabalhando por 500 ciclos, ela entrará em alarme de descalcificação. Os indicadores Cappuccino e Latte piscam alternadamente. Se você não descalcificar a tempo, o sistema de vias navegáveis pode bloquear.

Nota: Se você quiser descalcificar antes de 500 ciclos, pode descalcificar manualmente conforme as seguintes etapas:

1. Certifique-se de que o botão liga / desliga esteja na posição “O” e o cabo de força esteja desconectado. Encha 400 ml de vinagre branco e 600 ml de água no tanque de água. Monte o tanque de leite na unidade, gire o botão de controle de espumação no sentido horário para a posição de limpeza.
2. Pressione o botão liga / desliga para a posição “I”, os indicadores Cappuccino e Latte piscam alternadamente. Pressione o botão Espresso e o botão Latte ao mesmo tempo, a unidade entrará no modo de descalcificação automaticamente. As 6 luzes indicadoras piscam girando um círculo no sentido horário, o tubo de distribuição do leite com espuma fluirá para fora água quente e vapor. Após 10 minutos, a unidade entrará no modo de espera e as 6 luzes indicadoras acenderão.
3. Descarte a solução de descalcificação residual e limpe o tanque de água, encha a quantidade apropriada de água pura, bata duas xícaras de Espresso continuamente e, em seguida, prepare duas xícaras de Café com leite continuamente. A limpeza estará concluída e as 6 luzes indicadoras acenderão. A unidade irá retornar ao modo de espera e após a unidade ter trabalhado por 500 ciclos novamente, a unidade lembrará de descalcificar novamente.

Nota: No status de lembrete de descalcificação, você ainda pode operar a unidade normalmente e, após a operação, ela retornará ao status de lembrete de descalcificação.

SOLUÇÃO DE PROBLEMAS

PROBLEMA	CAUSA	SOLUÇÃO
Café não sai.	<ol style="list-style-type: none"> 1 Sem água no reservatório. 2 A moagem do café é muito fina. 3 Muito café no filtro. 4 O aparelho não estava ligado ou conectado. 5 O café foi compactado / compactado demais. 	<ol style="list-style-type: none"> 1 Adicione água 2 Moa o café em pó médio. 3 Encha o filtro com menos café. 4 Conecte a unidade na tomada elétrica e ligue-a. 5 Encha o cesto do filtro com café, não aperte muito.
O café sai pela borda do porta-filtro.	<ol style="list-style-type: none"> 1 Porta-filtro não girado para a posição de bloqueio total. 2 Pó de café em volta da borda do cesto do filtro. 3 Muito café no filtro. 	<ol style="list-style-type: none"> 1 Rode o suporte do filtro para a posição de bloqueio total. 2 Limpe a borda. 3 Encha com menos café.
O leite não forma espuma após a espumação ou não está saindo do tubo de espumação.	<ol style="list-style-type: none"> 1 Ele perdeu o fôlego. 2 O leite não está frio o suficiente. 3 Tubo de espumação bloqueado. 	<ol style="list-style-type: none"> 1 Certifique-se de que há água suficiente no reservatório. 2 Resfrie o leite e a jarra para espumar antes de fazer o cappuccino. 3 Siga as instruções para limpar os reservatórios de leite e o tubo de espumação.
O café sai rápido demais.	<ol style="list-style-type: none"> 1 O café moído é muito grosso. 2 Café insuficiente no filtro. 	<ol style="list-style-type: none"> 1 Use uma moagem mais fina. 2 Use mais café.
O café está muito fraco.	<ol style="list-style-type: none"> 1 Você está usando o filtro pequeno para expresso duplo. 2 O café moído é muito grosso. 	<ol style="list-style-type: none"> 1 Use um filtro grande para café expresso duplo. 2 Use uma moagem mais fina.
As três luzes do painel de controle estão piscando alternadamente.	O tanque de água está sem água.	Adicione água ao reservatório.



Em conformidade com as diretrizes: 2012/19 / UE e 2015/863 / UE sobre a restrição do uso de substâncias perigosas em equipamentos elétricos e eletrônicos, bem como a eliminação de resíduos. O símbolo com o caixote do lixo cruzado mostrado na embalagem indica que o produto ao final de sua vida útil será coletado como lixo separado. Portanto, qualquer produto que tenha atingido o fim de sua vida útil deve ser entregue a centros especializados de eliminação de resíduos para coleta seletiva de equipamentos elétricos e eletrônicos, ou devolvido ao varejista ao comprar equipamentos novos similares, em um para uma base. A coleta seletiva apropriada para o comissionamento subsequente do equipamento enviado para reciclagem, tratamento e descarte de maneira ecológica ajuda a evitar possíveis efeitos negativos no meio ambiente e na saúde e otimiza a reciclagem e reutilização de os componentes que compõem o dispositivo. A eliminação abusiva do produto pelo usuário implica a aplicação de sanções administrativas de acordo com as leis.

Merci d'avoir choisi notre machine à café. Avant d'utiliser l'appareil, et pour garantir une utilisation optimale, lisez attentivement ces instructions.

Les mesures de sécurité ci-jointes réduisent le risque de mort, de blessure et d'électrocution lorsqu'elles sont correctement respectées. Conservez le manuel dans un endroit sûr pour référence ultérieure, ainsi que la carte de garantie remplie, le reçu d'achat et l'emballage. Le cas échéant, transmettez ces instructions au prochain propriétaire de l'appareil. Suivez toujours les précautions de sécurité de base et les mesures de prévention des accidents lors de l'utilisation d'un appareil électrique. Nous déclinons toute responsabilité en cas de non-respect de ces exigences par le client.

AVERTISSEMENTS DE SÉCURITÉ

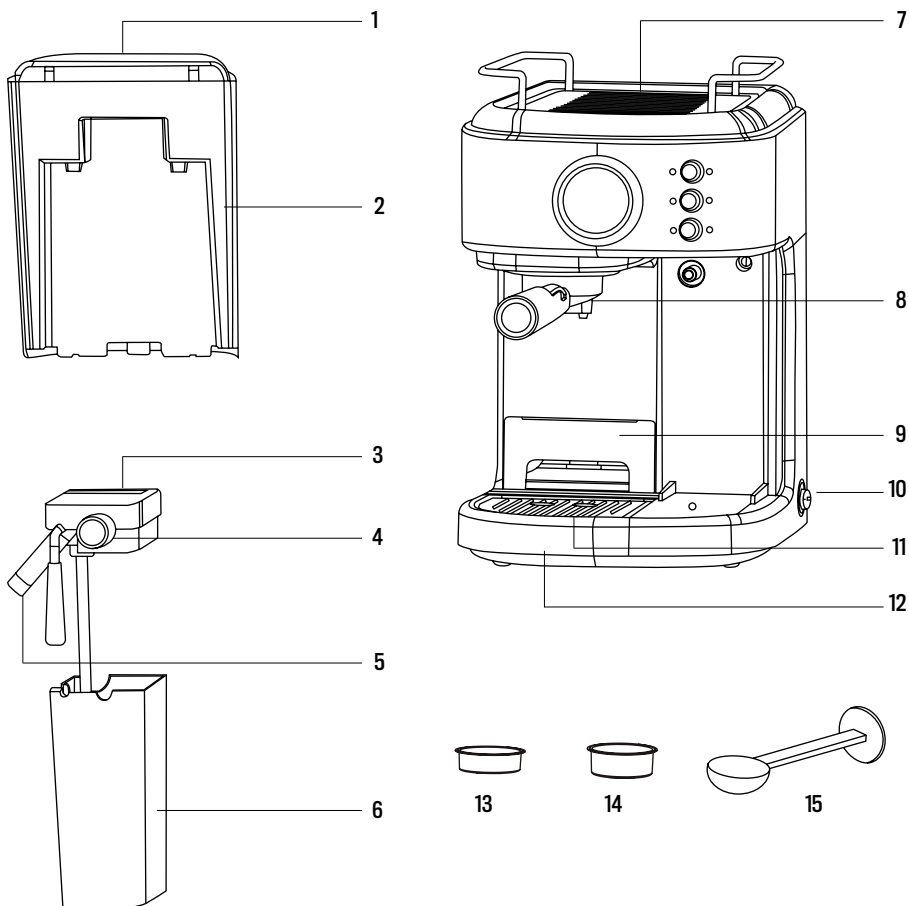
Lors de l'utilisation d'un appareil électrique, des précautions de sécurité de base doivent toujours être observées.

- Lisez toutes les instructions et conservez-les pour référence future.
- Assurez-vous que la tension de votre prise correspond à la tension indiquée sur l'étiquette signalétique de la cafetière.
- Pour vous protéger contre les incendies, les chocs électriques et les blessures, ne plongez pas le cordon, la fiche ou l'appareil dans l'eau ou tout autre liquide.
- Une surveillance étroite est nécessaire lorsqu'un appareil est utilisé par ou à proximité d'enfants.
- Débranchez-le de la prise lorsqu'il n'est pas utilisé et avant le nettoyage. Laissez refroidir avant de mettre ou de retirer des pièces et avant de nettoyer l'appareil.
- Ne pas faire fonctionner un appareil dont le cordon ou la fiche est endommagé ou après un dysfonctionnement de l'appareil ou qui a été endommagé de quelque manière que ce soit. Renvoyez l'appareil à un centre de service autorisé pour examen, réparation ou réglage.
- L'utilisation d'accessoires non recommandés par le fabricant de l'appareil peut entraîner un incendie, un choc électrique ou des blessures corporelles.
- Pour déconnecter, mettez n'importe quelle commande en position d'arrêt, puis retirez la fiche de la prise murale.
- Ne touchez aucune surface chaude, utilisez des poignées ou des boutons.
- Ne l'utilisez pas à l'extérieur ou à des fins commerciales.
- Ne laissez pas le cordon pendre du bord d'une table ou d'un comptoir, ni toucher une surface chaude.
- Utilisez uniquement sur une surface dure et plane pour éviter toute interruption du flux d'air sous l'appareil.
- Assurez-vous toujours de remettre fermement le réservoir d'eau dans l'appareil avec son couvercle fermé et de le remplir d'eau au minimum ou au-dessus du minimum avant d'allumer l'appareil.
- Ne retirez pas le porte-filtre pendant la préparation du café. Veuillez vous assurer que les trois voyants sont allumés avant de retirer le porte-filtre pour faire du café supplémentaire. Des précautions doivent également être prises lors du retrait du porta-filtre car les pièces métalliques seront chaudes. Veillez à le tenir par la poignée et à utiliser le clip de rétention

- du filtre pour éliminer le marc. Des précautions doivent être prises lors du déplacement de l'unité avec des liquides chauds.
- Ne retirez pas le réservoir d'eau tant que l'appareil n'est pas éteint.
 - Cet appareil n'est pas conçu pour être utilisé au moyen d'une minuterie externe ou d'un système de télécommande séparé.
 - L'appareil peut être utilisé par des enfants âgés de 8 ans et plus et des personnes ayant des capacités physiques, sensorielles ou mentales réduites ou un manque d'expérience et de connaissances s'ils ont reçu une surveillance ou des instructions concernant l'utilisation de l'appareil en toute sécurité et comprennent les risques. impliqué. Les enfants ne doivent pas jouer avec l'appareil. Le nettoyage et l'entretien par l'utilisateur ne doivent pas être effectués par des enfants à moins qu'ils ne soient âgés de plus de 8 ans et supervisés.
 - Gardez l'appareil et son cordon hors de portée des enfants de moins de 8 ans.
 - Avant de retirer l'une des pièces et accessoires, assurez-vous que les trois voyants sont allumés, appuyez sur le bouton d'alimentation en position d'arrêt «O» et débranchez l'appareil.
 - Ne retirez le porta-filtre à aucun moment pendant le processus d'infusion.
 - Soyez prudent lorsque vous retirez le porta-filtre. Les pièces métalliques peuvent encore être très chaudes. De plus, de l'eau chaude peut flotter sur le dessus du filtre. Tenez-le uniquement par sa poignée et jetez le café moulu en utilisant le clip de retenue du filtre.
 - Si le café ne goutte pas, le filtre est bloqué. Éteignez l'appareil et laissez-le refroidir. Le blocage peut être causé par le café moulu trop finement. Consultez la section «Dépannage».
 - Lors du nettoyage du tube de distribution de lait moussé: Placez une grande tasse sous le tube. Remplissez le réservoir de lait d'eau et replacez-le sur l'appareil. Tournez le bouton de commande de mousse dans le sens des aiguilles d'une montre jusqu'à la position de nettoyage, puis appuyez et maintenez le bouton latte / nettoyage pendant 3 secondes et relâchez pour activer la fonction de nettoyage. Laissez l'unité distribuer l'eau à travers le tube pendant environ 30 secondes, puis appuyez une fois sur le bouton Latte / Clean pour arrêter le processus.
 - Ne pas placer sur ou à proximité d'un brûleur à gaz ou électrique chaud, ou dans un four chauffé.
 - N'utilisez pas l'appareil à d'autres fins que celles pour lesquelles il a été conçu.
 - Ne laissez pas l'appareil sans surveillance.
 - Cet appareil est destiné à être utilisé dans des applications domestiques et similaires telles que: les cuisines du personnel dans les magasins, bureaux et autres environnements de travail; maisons de ferme; par les clients des hôtels, motels et autres environnements de type résidentiel; et les environnements de type bed and breakfast.
 - Ne plongez jamais l'appareil dans l'eau ou dans d'autres liquides. Il existe un risque de choc électrique.
 - Pression: Afin d'éviter d'éventuelles brûlures aux parties du corps et / ou d'autres blessures causées par la vapeur chaude et l'eau ou des dommages à l'appareil, ne retirez jamais le réservoir d'eau ou le porta-filtre pendant que votre machine à espresso / cappuccino prépare du café ou

mousse. Assurez-vous que les trois voyants sont allumés avant de pouvoir retirer le porte-filtre pour préparer des tasses de café supplémentaires. Si vous avez besoin d'ajouter plus d'eau ou de lait dans les réservoirs, veuillez vous assurer que les trois voyants sont allumés et assurez-vous d'éteindre l'appareil en appuyant sur le bouton rouge sur le côté de l'appareil en position d'arrêt «O».

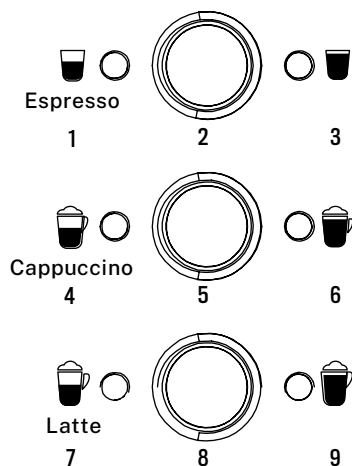
LISTE DES PIÈCES



1. Couvrele du réservoir d'eau
2. Réservoir d'eau
3. Couvrele du réservoir de lait
4. Commutateur
5. Buse à mousse
6. Réservoir à lait
7. Décoration de la couverture supérieure
8. Porte-filtre

9. Support pour petites tasses
10. Bouton
11. Plaque d'égouttement
12. Bac de récupération
13. Filtre 1 tasse
14. Filtre 2 tasse
15. Cuillère à café et pilon

PANNEAU DE CONFIGURATION



1. Petite tasse à café et lampe à café manuelle
2. Bouton d'infusion manuelle
3. Grande tasse de café et lumière de café manuelle
4. Petite tasse de cappuccino et mousse de lait légère
5. Bouton mousse de lait
6. Grande tasse de cappuccino et mousse de lait légère
7. Petite tasse de café avec du lait et de la lumière de nettoyage
8. Bouton de nettoyage
9. Grande tasse de café latte et lampe de nettoyage

AVANT LA PREMIÈRE UTILISATION

- Nettoyez et amorcez l'appareil avant la première utilisation.
- Veuillez vous référer à la section «Liste des pièces» pour vous familiariser avec le produit et identifier toutes les pièces.
- Veuillez vous assurer que l'appareil est éteint «O» en appuyant sur l'interrupteur situé sur le côté de l'appareil. Assurez-vous qu'il est débranché de la prise électrique.
- Retirez les autocollants et les étiquettes de l'appareil.
- Retirez d'abord puis lavez le réservoir d'eau, le réservoir de lait, les deux filtres, le porte-filtre et la cuillère à café dans un mélange de détergent doux et d'eau. Rincez-les soigneusement et remettez-les dans l'appareil.
- Reportez-vous aux instructions de la section «Insertion du filtre» avant de placer ou de retirer le porte-filtre et le filtre de l'unité.
- Pour nettoyer l'intérieur de l'appareil, suivez les étapes indiquées dans les sections de nettoyage en utilisant de l'eau dans les deux réservoirs et pas de café dans le filtre. N'immergez pas l'appareil dans l'eau et n'essayez pas d'atteindre l'une de ses parties internes.
- **IMPORTANT :** Avant d'utiliser ce produit, n'oubliez pas de retirer la pièce de protection située au fond du réservoir d'eau, comme indiqué par l'autocollant d'information.

REMARQUE: Pour que votre appareil fonctionne correctement à chaque fois, nettoyez-le après chaque utilisation. Pour amorcer l'unité, exécutez le cycle de vapeur pendant 90 secondes en suivant les étapes ci-dessous:

1. Remplissez le réservoir d'eau entre les niveaux «Min» et «Max».
 2. Remplissez le réservoir de lait avec de l'eau entre les niveaux «Min» et «Max».
 3. Sélectionnez l'un des filtres et placez-le sur le porte-filtre. Placez le bras d'entonnoir sous pression dans l'unité en vous assurant qu'il est correctement verrouillé et placez une tasse en dessous. Assurez-vous également que l'extrémité du tube de distribution de lait moussé se trouve à l'intérieur de la tasse.
 4. Branchez l'appareil dans la prise appropriée.
 5. Mettez l'interrupteur sur «I».
 6. Les six voyants du panneau de commande commenceront à clignoter. Une fois que ces voyants deviennent fixes, appuyez deux fois sur le bouton Cappuccino.
 7. Une fois ce processus terminé, les six voyants du panneau de commande s'allumeront en continu.
- Maintenant, votre appareil a été amorcé et est prêt à être utilisé.

SÉLECTIONNEZ LA BONNE TASSE

Avant de préparer votre boisson, assurez-vous de sélectionner la bonne taille de tasse en fonction au tableau suivant:

RAPPORT DE TYPE DE BOISSON		
Espresso	Une tasse ☕	60 ml
	Double ☕	119 ml
Cappuccino	Une tasse ☕	178 ml
	Double ☕	355 ml
Latté	Une tasse ☕	296 ml
	Double ☕	474 ml

SÉLECTIONNEZ LE BON CAFÉ

• Le café:

Le café doit être fraîchement moulu et torréfié à l'obscurité. Vous voudrez peut-être essayer une torréfaction française ou italienne pour l'espresso. Le café prémoulu ne conservera sa saveur que pendant 7 à 8 jours, à condition qu'il soit conservé dans un récipient hermétique et dans un endroit frais et sombre. Ne pas conserver au réfrigérateur ou au congélateur. Il est recommandé de hacher les haricots entiers juste avant l'utilisation. Les grains de café conservés dans un contenant hermétique conserveront leur saveur jusqu'à 4 semaines.

• La mouture

Il s'agit d'une étape vitale dans le processus de fabrication de l'espresso si vous moulez votre propre café et que vous prenez de la pratique. Le café doit être d'une mouture fine.

La mouture correcte devrait ressembler à du sel.

Si la mouture est trop fine, l'eau ne coulera pas à travers le café, même sous pression. Ces moutures ressemblent à de la poudre et ressemblent à de la farine lorsqu'elles sont frottées entre les doigts.

Si la mouture est trop grossière, l'eau coule à travers le café trop rapidement, empêchant une extraction pleine de saveur.

Assurez-vous d'utiliser un moulin de qualité pour une cohérence uniforme.

• Espresso:

Une méthode unique de préparation du café dans laquelle l'eau chaude est forcée à travers du café finement moulu. Populaire en Europe, c'est une infusion beaucoup plus riche et corsée que le café goutte à goutte ordinaire. En raison de sa richesse, l'espresso est généralement servi dans des tasses de 44 à 59 ml (1,5 à 2 oz).

• Cappuccino:

Une boisson composée d'environ 1/3 d'espresso, 1/3 de lait cuit à la vapeur et 1/3 de lait moussé.

• Latté:

Une boisson à base d'environ 1/4 d'espresso et 3/4 de lait vapeur.

MODE D'EMPLOI

• Remplissez le réservoir d'eau:

1. Remplissez le réservoir d'eau avec de l'eau, vous pouvez soit utiliser un bocal pour le remplir, soit le retirer de l'appareil et le remplir sous le robinet. Si vous l'avez retiré de l'appareil pour le remplir d'eau, assurez-vous de le remettre fermement à sa place. Remplissez le réservoir avec la quantité d'eau désirée en vous assurant qu'elle se situe entre les marques «MIN» et «MAX» sur le réservoir. N'utilisez jamais d'eau tiède ou chaude pour remplir le réservoir d'eau.
2. Fermez le couvercle du réservoir d'eau et remplacez-le dans l'unité en vous assurant qu'il est bien ajusté.

• Remplissez le tank à lait:

1. Si vous prévoyez de préparer un cappuccino ou un café au lait, retirez le réservoir de lait de l'appareil. Ouvrez le couvercle et versez la quantité de lait froid dont vous estimez avoir besoin entre les niveaux «MIN» et «MAX».
2. Une fois terminé, remplacez le réservoir de lait dans l'unité en vous assurant qu'il est bien ajusté.

Remarque: Vous pouvez utiliser le type de lait de votre choix, c'est-à-dire du lait entier, du lait faible en gras, du lait biologique ou du lait de soja.

• Choisissez le filtre:

Sélectionnez le filtre à utiliser comme suit:

1. Pour une seule tasse: Utilisez le filtre pour une seule tasse d'espresso si vous utilisez du café moulu.
2. Pour une tasse double ou deux tasses: Utilisez le filtre pour une tasse double.

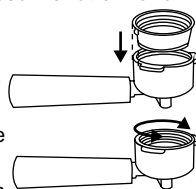
REMARQUE: Le filtre à dosettes inclus avec votre appareil a été conçu pour fonctionner uniquement avec les dosettes ESE (45 mm).

• Insérez le filtre:

1. Pour insérer le filtre sélectionné dans le porte-filtre, assurez-vous d'aligner l'encoche du filtre avec la rainure à l'intérieur du porte-filtre.
2. Tournez le filtre vers la gauche ou vers la droite pour le verrouiller, ce qui aidera à sécuriser le filtre dans le porte-filtre.

REMARQUE: Pour retirer et nettoyer le filtre, tournez le filtre vers la gauche ou vers la droite pour aligner l'encoche du filtre avec la rainure à l'intérieur du bras d'entonnoir sous pression.

ATTENTION: Assurez-vous que le filtre a refroidi avant d'essayer de le retirer.



- **Tasse de café:**

Placez le filtre sélectionné sur le porte-filtre comme suit:

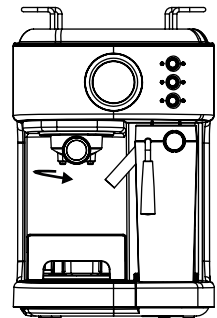
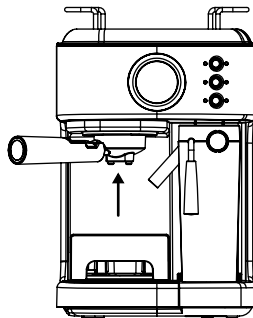
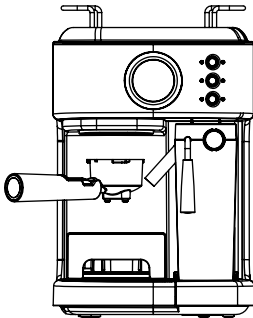
1. Remplissez le filtre de café expresso frais et finement moulu (ne pas trop remplir).

Remarque: La quantité de café moulu ne peut pas dépasser la marque MAX.

2. Tassez et compressez fermement et uniformément le café moulu.
3. Nettoyez tout excès de café du bord pour assurer un bon ajustement sous la tête d'infusion.

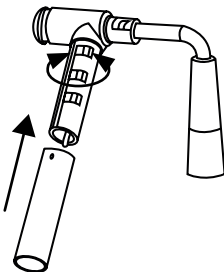
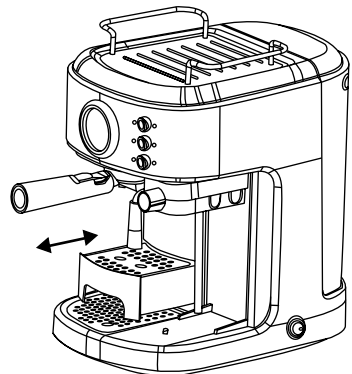
- **Placez le bras d'entonnoir sous pression:**

1. Placez le porte-filtre sous la tête d'infusion, fixez le porte-filtre en déplaçant d'abord le clip de retenue vers l'arrière.
2. Placez la poignée de façon à ce qu'elle soit alignée avec l'icône de verrouillage ouvert sur l'unité et s'insère dans la rainure.
3. Ensuite, tournez-le lentement vers la droite jusqu'à ce que le clip de retenue soit aligné avec le symbole de verrouillage fermé sur l'unité.



- **Placez la (les) tasse (s):**

- Retirez le support du plateau d'égouttement si vous utilisez une petite tasse pour préparer un expresso.
- Gardez le support du bac d'égouttement à l'intérieur de son compartiment si vous utilisez une tasse plus grande pour préparer le cappuccino.
- Gardez le support du plateau d'égouttement à l'intérieur de son compartiment si vous utilisez une tasse plus grande pour préparer du café au lait.



MISE EN GARDE: Lors de la préparation d'un cappuccino ou d'un café au lait, assurez-vous d'ajuster le levier du tube de mousse afin de positionner le tube de distribution de mousse de lait à l'intérieur de la tasse à utiliser. En outre, vous pouvez également ajuster la longueur du tube de distribution de lait moussé en le verrouillant sur un autre position du levier du tube de moussage pour s'adapter à différentes tailles de tasses. Et vous pouvez le nettoyer en le faisant pivoter, puis le réparer.

• **Allumez l'appareil:**

4. Assurez-vous que l'appareil est branché.

5. Mettez l'appareil en position «I». Les six voyants du panneau de commande commenceront à clignoter pendant le chauffage et jusqu'à ce que l'eau atteigne la température parfaite. Une fois que les six voyants deviennent solides, l'appareil est prêt à être utilisé.

Remarque: Le tube à mousser est très chaud, veuillez faire attention.

SÉLECTIONNEZ LA FONCTION

• **Espresso:**

1. Appuyez une fois sur le bouton café (☺ s'allume) pour préparer une seule tasse de café.
 2. Appuyez deux fois sur le bouton café (☺☺ s'allume) pour préparer une double tasse de café.
 3. Appuyez sur le bouton café et maintenez-le enfoncé pendant 3 secondes (☺☺ allumé en même temps) pour préparer une grande tasse de café. Lorsque la quantité de café atteint votre besoin, vous pouvez appuyer sur n'importe quel bouton pour arrêter de travailler.
- L'unité peut préparer un espresso en fonction de votre réglage et s'arrêter automatiquement. Lorsqu'il ☺☺ est allumé en continu, cela signifie qu'il a terminé le brassage et que vous pouvez profiter de votre espresso.

Attention: Une fois la machine à café terminée, veuillez ne pas retirer le filtre immédiatement, attendez simplement 10 secondes de plus ou moins.

• **Cappuccino:**

Avant de préparer le cappuccino, tournez le bouton de commande de la mousse en position médiane, vous pouvez ajuster la quantité de mousse de lait selon vos préférences en tournant le bouton de commande de mousse vers la droite pour plus de mousse et vers la gauche pour moins de mousse.

Remarque: L'intensité de la mousse peut être ajustée pendant le cycle d'infusion.

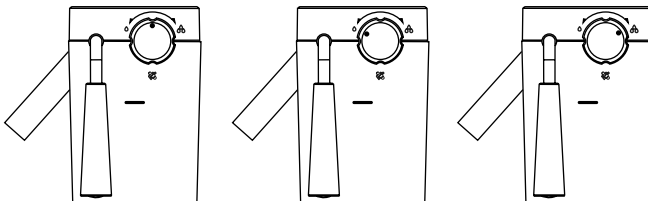
1. Appuyez une fois sur le bouton Cappuccino pour préparer une petite tasse de cappuccino.
2. Appuyez deux fois sur le bouton Cappuccino pour préparer une grande tasse de cappuccino.

L'appareil commencera à préparer le cappuccino selon votre sélection. Après cela, votre délicieux cappuccino est prêt à être dégusté.

• **Latté:**

Avant de préparer votre café au lait, ajustez la quantité de mousse de lait selon vos préférences en tournant le bouton de contrôle de la mousse vers la droite pour plus de mousse et vers la gauche pour moins de mousse.

1. Appuyez une fois sur le bouton Latte pour préparer une petite tasse de café au lait.
2. Appuyez deux fois sur le bouton Latte pour préparer une grande tasse de café au lait.



- **Lait moussé:**

L'appareil vous permet également de préparer uniquement de la mousse de lait.

1. Appuyez sur le bouton Cappuccino et maintenez-le enfoncé pendant 3 secondes si vous souhaitez ajouter plus de mousse à votre boisson ou préparer une mousse de lait pour toute autre boisson, par exemple macchiato, chocolat chaud, thé au lait, etc.
 2. Une fois terminé, appuyez à nouveau sur le bouton Cappuccino pour l'arrêter.
- Après avoir préparé vos boissons avec du lait: Une fois que vous avez terminé de préparer votre boisson avec du lait, vous pouvez soit stocker le réservoir de lait de l'unité directement dans le réfrigérateur (prêt à être utilisé pour la prochaine fois), soit jeter les restes de lait.
 - S'il n'y a aucune opération dans les 15 minutes, l'unité entrera en mode veille, vous pouvez appuyer sur n'importe quel bouton pour réveiller l'unité.

NETTOYAGE ET ENTRETIEN

Veillez lire attentivement TOUTES les instructions, mises en garde, notes et avertissements inclus dans ce manuel d'instructions avant de commencer à utiliser cet appareil. Lorsque cet appareil est utilisé, certaines pièces et accessoires deviennent chauds et doivent refroidir. Des soins et un entretien appropriés assureront la longue durée de vie de la machine à espresso, cappuccino et latte automatique et son fonctionnement sans problème. Conservez ces instructions et consultez-les souvent pour obtenir des conseils de nettoyage et d'entretien.

UTILISATION CORRECTE DU CAFÉ MOULU POUR LES MACHINES À EXPRESSO

N'utilisez pas de café moulu torréfié au sucre ou de grains de café torréfié au sucre car ils obstrueraient le filtre et endommageraient l'appareil. Si du café torréfié au sucre est utilisé accidentellement, cessez d'utiliser l'appareil et apportez-le au centre de service le plus proche pour l'entretien. Nous vous recommandons de détartrer périodiquement la machine pour la maintenir en bon état de fonctionnement. Contactez nos centres de service pour en savoir plus sur ce processus.

DÉTARTRAGE

Avec le réservoir de lait en place, l'appareil rappellera à l'utilisateur d'effectuer le détartrage en faisant clignoter rapidement les six voyants en alternance. À ce moment-là, l'utilisateur doit remplir le réservoir d'eau avec 600 ml d'eau propre et un détartrant dédié, puis appuyer simultanément sur les boutons Espresso et Latte, puis l'appareil entre automatiquement en état de détartrage.

Ensuite, les six indicateurs clignotent lentement en alternance, après environ une demi-heure de travail, les six indicateurs clignotent rapidement en alternance, puis l'utilisateur doit vider le réservoir d'eau et le remplir avec 600 ml d'eau propre.

Après cela, appuyez à nouveau simultanément sur les boutons Espresso et Latte et l'appareil continuera à effectuer le détartrage. Les six voyants clignoteront lentement en alternance, après environ une demi-heure de travail, l'appareil cessera de fonctionner et retournera à l'état de veille.

REMARQUE:

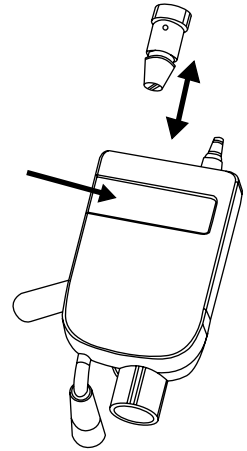
- Vous pouvez appuyer sur n'importe quelle touche fonctionnelle pour exécuter la fonction correspondante lorsque l'appareil vous rappelle d'effectuer le détartrage. Et l'appareil continuera à vous rappeler d'effectuer le détartrage après avoir terminé l'exécution de la fonction correspondante.
- Le processus de détartrage peut être arrêté à tout moment en appuyant sur n'importe quel bouton, puis l'appareil continuera à rappeler à l'utilisateur d'effectuer le détartrage. Et l'appareil ne passera en mode veille normal qu'après avoir terminé tout le processus de détartrage.

NETTOYAGE DU RÉSERVOIR DE LAIT ET DU TUBE DE MOUSSAGE

Même si vous pouvez stocker le réservoir de lait avec les restes de lait dans le réfrigérateur, il est important de nettoyer le réservoir et le tube de moussage régulièrement pour éviter le colmatage et la formation de résidus. Pour nettoyer le réservoir de lait, veuillez suivre les instructions ci-dessous:

1. Retirez le réservoir de lait de l'unité.
2. Retirez le couvercle du réservoir.
3. Le connecteur du tube de vapeur peut être détaché en le faisant tourner. Vous pouvez le nettoyer à l'eau du robinet. Après le nettoyage, veuillez le fixer dans le couvercle du réservoir de lait en le tournant à nouveau.
4. Lors du nettoyage du réservoir de lait, vous pouvez ouvrir la feuille de silicone (ne pas la retirer), la laver à l'eau du robinet. Après le nettoyage, remplacez la feuille de silicone.
5. Versez le lait restant et rincez et lavez soigneusement le réservoir de lait et son couvercle avec de l'eau chaude savonneuse. Rincez et séchez bien. N'utilisez pas de nettoyeurs abrasifs ni de tampons à recurer, car ils rayeraient la finition. Le réservoir de lait est également lavable au lave-vaisselle (panier supérieur). Ne placez pas le couvercle du réservoir de lait sur le lave-vaisselle.
6. Placez une grande tasse vide sous le tube à mousser.
7. Tournez le bouton de commande de la mousse dans le sens des aiguilles d'une montre jusqu'à la position de nettoyage, puis appuyez et maintenez le bouton latte / nettoyage pendant 3 secondes et relâchez pour activer la fonction de nettoyage. L'appareil commencera à libérer de la vapeur à travers le tube de moussage, laissez-le fonctionner pendant quelques secondes jusqu'à ce que vous ne voyiez plus de lait dans la tasse. Une fois terminé, appuyez une fois sur le bouton Latte / Clean pour arrêter le processus.
8. Jetez l'eau restée sur le réservoir de lait et remettez-la dans l'unité.

Remarque: Pour démonter le réservoir de lait, vous devez le soulever un peu, puis le retirer.



NETTOYAGE DE LA TÊTE D'INFUSION, DU PORTA-FILTRE ET DU FILTRE

1. Mettez le bouton d'alimentation sur le côté de l'appareil en position d'arrêt «O» et débranchez le cordon d'alimentation de la prise électrique.
2. Certaines pièces métalliques peuvent être encore chaudes. Ne les touchez pas avec vos mains tant qu'elles n'ont pas refroidi.
3. Retirez le porte-filtre et jetez le marc de café ou la dosette usagée. Lavez le porte-filtre et le filtre à l'eau tiède savonneuse et rincez-les bien. Ne lavez pas le porte-filtre et les filtres au lave-vaisselle.
4. Essuyez la partie inférieure de la tête de percolation dans l'unité avec un chiffon humide ou une serviette en papier pour éliminer tout marc de café qui aurait pu rester.
5. Remettez le porte-filtre (sans filtre) dans la tête d'infusion de l'unité.
6. Placez une grande tasse vide sous le porte-filtre.
7. Appuyez une fois sur le bouton espresso et laissez l'unité infuser avec de l'eau jusqu'à ce qu'elle s'arrête automatiquement.

NETTOYAGE DU RÉSERVOIR D'EAU

Jetez l'eau restante en retirant le réservoir et en le retournant au-dessus de l'évier. Il est recommandé de vider le réservoir d'eau entre les utilisations. Lavez le réservoir d'eau avec de l'eau savonneuse, rincez-le bien et essuyez-le. Le réservoir d'eau va aussi au lave-vaisselle.

NETTOYAGE DE L'UNITÉ

1. Essuyez le boîtier avec un chiffon doux et humide. N'utilisez pas de nettoyeurs abrasifs ou de tampons à récurer, car ils rayeraient le fini.
2. Ne rangez pas le porte-filtre dans la tête d'infusion. Cela peut nuire à l'étanchéité entre la tête d'infusion et le porta-filtre lors de la préparation de l'espresso.

Mise en garde: Ne plongez pas l'appareil dans l'eau.

DÉTARTRAGE DE L'UNITÉ

Les dépôts minéraux accumulés dans l'appareil affecteront le fonctionnement de l'appareil. Votre appareil doit être détaré lorsque vous commencez à remarquer une augmentation du temps nécessaire pour préparer un espresso ou lorsque la vapeur est excessive. De plus, vous remarquerez peut-être une accumulation de dépôts blancs sur la surface de la tête d'infusion.

La fréquence de nettoyage dépend de la dureté de l'eau utilisée. Si vous utilisez de l'eau douce (eau filtrée), la fréquence de nettoyage doit être tous les 80 cycles d'infusion; si vous utilisez de l'eau dure (eau du robinet), la fréquence de nettoyage doit être tous les 40 cycles d'infusion.

• Délimitez le réservoir d'eau:

1. Remplissez le réservoir de vinaigre domestique blanc frais et non dilué.
2. Laissez l'appareil reposer toute la nuit avec la solution de vinaigre dans le réservoir d'eau.
3. Jetez le vinaigre en retirant le réservoir et en le retournant au-dessus de l'évier.
4. Rincez soigneusement le réservoir d'eau avec de l'eau du robinet en remplissant le réservoir à moitié avec de l'eau, puis en versant l'eau dans l'évier, en répétant cette étape deux fois.

• Délimiter les pièces internes:

1. Assurez-vous de décoller d'abord l'intérieur du réservoir d'eau en suivant les étapes de «Décollage» ci-dessus.
2. Assurez-vous de mettre le bouton d'alimentation en position «0» et le cordon d'alimentation est débranché de la prise électrique. Remplissez le réservoir de vinaigre blanc au-dessus du niveau minimum.
3. Insérez le porte-filtre (avec filtre et sans café) et placez un bocal ou une tasse ordinaire sur le dessus du plateau d'égouttement et sous le porte-filtre.
4. Branchez le cordon d'alimentation dans la prise électrique.
5. Appuyez sur le bouton d'alimentation pour mettre l'appareil sur «I». Une fois que les six voyants du panneau de commande deviennent bleus fixes, appuyez deux fois sur le bouton Espresso. Le vinaigre commencera à circuler dans l'appareil et s'arrêtera automatiquement.
6. Placez un pot ou une grande tasse (d'une capacité d'au moins 325 ml / 11 onces) sous le tube. Remplissez le réservoir de lait d'eau et remplacez-le sur l'appareil. Tournez le bouton de commande de la mousse dans le sens des aiguilles d'une montre jusqu'à la position de nettoyage, puis appuyez sur le bouton Latte et maintenez-le enfoncé pendant 3 secondes pour activer la fonction de nettoyage. Laissez l'unité distribuer l'eau à travers le tube pendant environ 30 secondes, puis appuyez une fois sur le bouton Double Latte pour arrêter le processus.

7. Répétez les étapes 1 à 6 si nécessaire en utilisant uniquement de l'eau du robinet pour rincer toute trace de vinaigre restante hors de la machine.

• **Mode détartrage manuel:**

Une fois que l'unité a fonctionné pendant 500 cycles, elle entre en alarme de détartrage. Les voyants Cappuccino et Latte clignotent tour à tour. Si vous ne détartrez pas à temps, le système des voies navigables peut se bloquer.

Remarque: Si vous souhaitez détartre avant 500 cycles, vous pouvez détartre manuellement en suivant les étapes suivantes:

1. Assurez-vous que l'interrupteur d'alimentation est sur la position «O» et que le cordon d'alimentation est débranché. Versez 400 ml de vinaigre blanc et 600 ml d'eau dans le réservoir d'eau. Assemblez le réservoir de lait dans l'unité, tournez le bouton de commande de moussage dans le sens des aiguilles d'une montre jusqu'à la position de nettoyage.
2. Appuyez sur l'interrupteur d'alimentation en position «I», les voyants Cappuccino et Latte clignotent à tour de rôle. Appuyez sur le bouton Espresso et le bouton Latte en même temps, l'appareil passera automatiquement en mode de détartrage. Les 6 voyants lumineux clignotent en tournant un cercle dans le sens des aiguilles d'une montre, le tube de distribution de lait moussé sortira de l'eau chaude et de la vapeur. Après 10 minutes, l'appareil passera en mode veille et les 6 voyants lumineux s'allumeront.
3. Jetez la solution de détartrage résiduelle et nettoyez le réservoir d'eau, remplissez la quantité appropriée d'eau pure, préparez deux tasses d'Espresso en continu, puis préparez deux tasses de Latte en continu. Le nettoyage sera terminé et les 6 voyants lumineux s'allumeront. L'unité retournera en mode veille et une fois que l'unité aura à nouveau fonctionné pendant 500 cycles, l'unité rappellera le détartrage.

Remarque: Sous l'état de rappel de détartrage, vous pouvez toujours faire fonctionner l'appareil normalement, et après l'opération, il reviendra à l'état de rappel de détartrage.

DÉPANNAGE

PROBLÈME	CAUSE	SOLUTION
Le café ne sort pas.	<ol style="list-style-type: none"> 1. Pas d'eau dans le réservoir. 2. La mouture du café est trop fine. 3. Trop de café dans le filtre. 4. L'appareil n'était pas allumé ou branché. 5. Le café a été trop tassé / compressé. 	<ol style="list-style-type: none"> 1. Ajoutez de l'eau 2. Moudre du café moulu moyen. 3. Remplissez le filtre avec moins de café. 4. Branchez l'appareil dans une prise électrique et allumez-le. 5. Remplissez le panier-filtre avec du café, ne pas trop tasser.
Le café sort sur le bord du porte-filtre.	<ol style="list-style-type: none"> 1. Porta-filtre non tourné en position de verrouillage complet. 2. Du marc de café autour du bord du panier-filtre. 3. Trop de café dans le filtre. 	<ol style="list-style-type: none"> 1. Faites pivoter le porte-filtre en position de verrouillage complet. 2. Essuyez la jante. 3. Remplissez avec moins de café.
Le lait n'est pas mousseux après le moussage ou il ne sort pas du tube de moussage.	<ol style="list-style-type: none"> 1. Il s'est essoufflé. 2. Le lait n'est pas assez froid. 3. Le tube de moussage est bloqué. 	<ol style="list-style-type: none"> 1. Assurez-vous qu'il y a suffisamment d'eau dans le réservoir. 2. Refroidir le lait et faire mousser le pichet avant de préparer le cappuccino. 3. Suivez les instructions pour nettoyer les réservoirs de lait et le tube de moussage.
Le café sort trop vite.	<ol style="list-style-type: none"> 1. Le café moulu est trop grossier. 2. Pas assez de café dans le filtre. 	<ol style="list-style-type: none"> 1. Utilisez une mouture plus fine. 2. Utilisez plus de café.
Le café est trop faible.	<ol style="list-style-type: none"> 1. Vous utilisez le petit filtre pour un double espresso. 2. Le café moulu est trop grossier. 	<ol style="list-style-type: none"> 1. Utilisez un grand filtre pour un double espresso. 2. Utilisez une mouture plus fine.
Les trois voyants du panneau de commande clignotent en alternance.	Le réservoir d'eau est hors d'eau.	Ajoutez de l'eau dans le réservoir.



Conformément aux directives: 2012/19 / UE et 2015/863 / UE sur la limitation de l'utilisation de substances dangereuses dans les équipements électriques et électroniques, ainsi que leur élimination des déchets. Le symbole avec la poubelle croisée indiqué sur l'emballage indique que le produit à la fin de sa durée de vie sera collecté en tant que déchet séparé. Par conséquent, tout produit ayant atteint la fin de sa durée de vie doit être livré dans des centres d'élimination des déchets spécialisés pour la collecte sélective des déchets d'équipements électriques et électroniques, ou retourné au détaillant lors de l'achat de nouveaux équipements similaires, en un seul pour une base. Une collecte séparée appropriée pour la mise en service ultérieure des équipements expédiés pour être recyclés, traités et éliminés d'une manière respectueuse de l'environnement aide à prévenir les effets négatifs potentiels sur l'environnement et la santé et optimise le recyclage et la réutilisation des les composants qui composent l'appareil. L'élimination abusive du produit par l'utilisateur implique l'application de sanctions administratives conformément aux lois.

Grazie per aver scelto la nostra macchina da caffè. Prima di utilizzare l'elettrodomestico e per garantire il miglior utilizzo, leggere attentamente queste istruzioni.

Le precauzioni di sicurezza qui accluse riducono il rischio di morte, lesioni e scosse elettriche se rispettate correttamente. Conservare il manuale in un luogo sicuro per riferimento futuro, insieme alla scheda di garanzia compilata, alla ricevuta di acquisto e alla confezione. Se applicabile, passare queste istruzioni al prossimo proprietario dell'apparecchio. Seguire sempre le precauzioni di sicurezza di base e le misure di prevenzione degli incidenti quando si utilizza un apparecchio elettrico. Non ci assumiamo alcuna responsabilità per il mancato rispetto di questi requisiti da parte del cliente.

AVVISI DI SICUREZZA

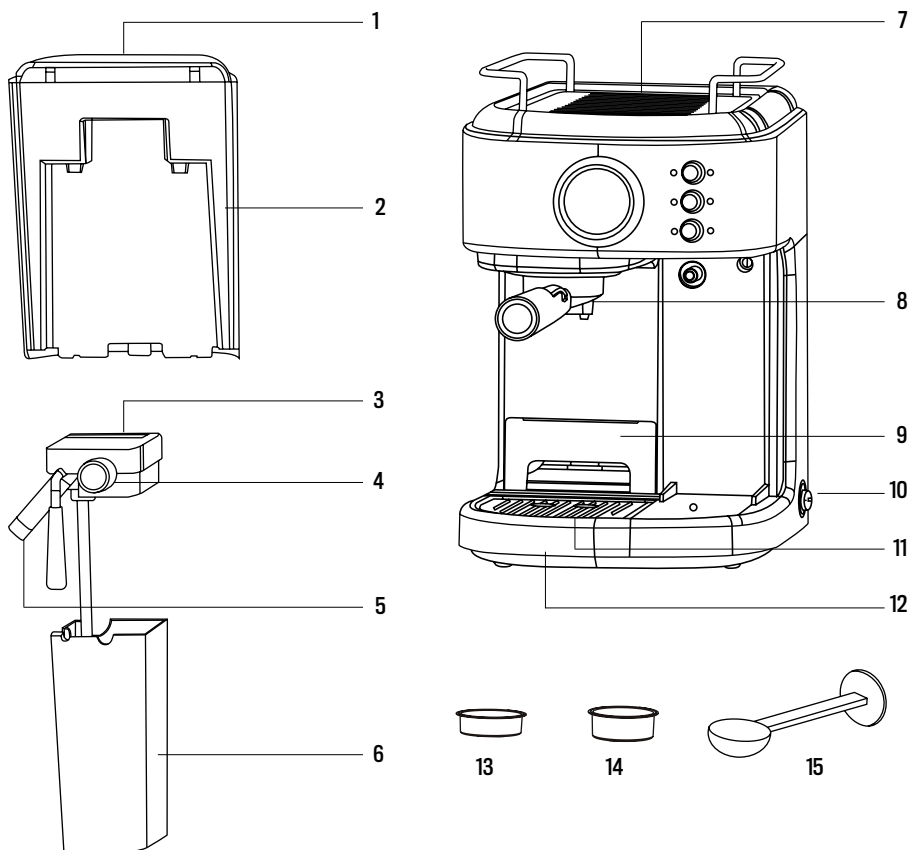
Quando si utilizza qualsiasi apparecchio elettrico, è sempre necessario osservare le precauzioni di sicurezza di base.

- Leggere tutte le istruzioni e salvarle per riferimento futuro.
- Assicurati che il voltaggio della tua presa corrisponda al voltaggio indicato sull'etichetta della macchina da caffè.
- Per proteggersi da incendi, scosse elettriche e lesioni alle persone non immergere il cavo, la spina o l'unità in acqua o altri liquidi.
- È necessaria un'attenta supervisione quando qualsiasi apparecchio viene utilizzato da o vicino a bambini.
- Scollegare dalla presa quando non è in uso e prima della pulizia. Lasciar raffreddare prima di inserire o togliere componenti e prima di pulire l'apparecchio.
- Non azionare alcun apparecchio con un cavo o una spina danneggiati o dopo che l'apparecchio non funziona correttamente o è stato danneggiato in qualsiasi modo. Restituire l'elettrodomestico a un centro di assistenza autorizzato per l'esame, la riparazione o la regolazione.
- L'utilizzo di accessori non consigliati dal produttore dell'apparecchio può provocare incendi, scosse elettriche o lesioni alle persone.
- Per scollegare, ruotare qualsiasi comando in posizione di spegnimento, quindi rimuovere la spina dalla presa a muro.
- Non toccare le superfici calde, non utilizzare maniglie o manopole.
- Non utilizzare all'aperto o per scopi commerciali.
- Non lasciare che il cavo penda dal bordo di tavoli o banconi o che tocchi superfici calde.
- Utilizzare solo su una superficie rigida e piana, per evitare l'interruzione del flusso d'aria sotto l'apparecchio.
- Assicurarsi sempre di riposizionare saldamente il serbatoio dell'acqua nell'unità con il coperchio chiuso e di riempirlo con acqua al minimo o al di sopra del minimo prima di accendere l'apparecchio.
- Non rimuovere il portafiltro durante l'erogazione del caffè. Assicurati che le tre luci siano accese prima di rimuovere il portafiltro per preparare ulteriore caffè. Prestare attenzione anche durante la rimozione del porta-

- filtro poiché le parti metalliche saranno calde. Assicurati di tenerlo per la maniglia e di utilizzare la clip di ritenzione del filtro per smaltire i motivi. Prestare attenzione quando si sposta l'unità con liquidi caldi.
- Non rimuovere il serbatoio dell'acqua finché l'unità non è spenta.
 - Questo apparecchio non è concepito per essere azionato mediante un timer esterno o un sistema di comando a distanza separato.
 - L'apparecchio può essere utilizzato da bambini di età pari o superiore a 8 anni e da persone con capacità fisiche, sensoriali o mentali ridotte o con mancanza di esperienza e conoscenza se sono state supervisionate o istruite sull'uso dell'apparecchio in modo sicuro e comprendono i pericoli coinvolti. I bambini non devono giocare con l'apparecchio. La pulizia e la manutenzione dell'utente non devono essere eseguite da bambini a meno che non abbiano più di 8 anni e siano supervisionati.
 - Tenere l'apparecchio e il suo cavo fuori dalla portata dei bambini di età inferiore a 8 anni.
 - Prima di rimuovere qualsiasi parte e accessorio, assicurarsi che le tre spie siano accese, premere il pulsante di alimentazione in posizione di spegnimento "0" e scollegare l'apparecchio.
 - Non rimuovere mai il portafiltro durante il processo di preparazione.
 - Prestare attenzione durante la rimozione del porta-filtro. Le parti metalliche potrebbero essere ancora molto calde. Inoltre, potrebbe esserci acqua calda che galleggia sulla parte superiore del filtro. Afferrarlo solo per il manico e getta il caffè macinato utilizzando la clip di ritenzione del filtro.
 - Se il caffè non gocciola, il filtro è bloccato. Spegnerlo l'apparecchio e lasciarlo raffreddare. Il blocco può essere causato da un caffè macinato troppo finemente. Vedere la sezione "Risoluzione dei problemi".
 - Quando si pulisce il tubo di erogazione del latte con schiuma: Metti una tazza grande sotto il tubo. Riempire il serbatoio del latte con acqua e rimetterlo sull'unità. Ruotare la manopola di controllo della schiuma in senso orario sulla posizione di pulizia, quindi premere e tenere premuto il pulsante latte / clean per 3 secondi e rilasciarlo per attivare la funzione di pulizia. Lascia che l'unità eroghi l'acqua attraverso il tubo per circa 30 secondi, quindi premi una volta il pulsante Latte / Clean per interrompere il processo.
 - Non collocare sopra o vicino a fornelli a gas o elettrici caldi o in un forno caldo.
 - Non utilizzare l'apparecchio per usi diversi da quelli previsti.
 - Non lasciare l'apparecchio acceso incustodito.
 - Questo apparecchio è destinato all'uso in applicazioni domestiche e simili come: cucine per il personale in negozi, uffici e altri ambienti di lavoro; case coloniche; da clienti in hotel, motel e altri ambienti di tipo residenziale; e ambienti tipo bed and breakfast.
 - Non immergere mai l'apparecchio in acqua o altri liquidi. C'è pericolo di scossa elettrica.

- **Pressione:** Per evitare possibili ustioni a parti del corpo e / o altre lesioni dovute a vapore caldo e acqua o danni all'unità, non rimuovere mai il serbatoio dell'acqua o il portafiltro mentre il tuo espresso / cappuccino sta preparando caffè o schiumando. Assicurati che le tre spie siano accese prima di rimuovere il portafiltro per preparare altre tazze di caffè. Se è necessario aggiungere più acqua o latte ai serbatoi, assicurarsi che le tre luci siano accese e assicurarsi di spegnere l'unità premendo il pulsante rosso sul lato dell'unità in posizione di spegnimento "0".

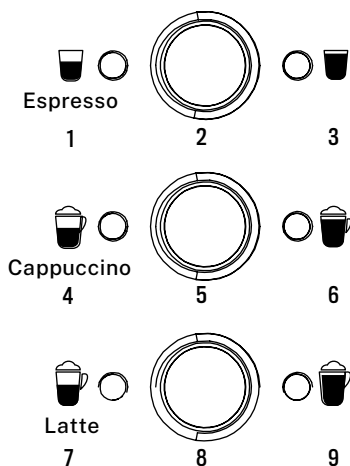
ELENCO DELLE PARTI



1. Coperchio del serbatoio dell'acqua
2. Serbatoio d'acqua
3. Coperchio serbatoio latte
4. Interruttore
5. Ugello per schiuma
6. Serbatoio del latte
7. Decorazione della copertina superiore
8. Portafiltro

9. Supporto per tazzine
10. Pomello
11. Piatto antigoccia
12. Vassoio raccogli gocce
13. Filtro da 1 tazza
14. Filtro da 2 tazze
15. Cucchiaino da caffè e pressino

PANNELLO DI CONTROLLO



1. Tazza da caffè piccola e luce caffè manuale
2. Pulsante erogazione manuale
3. Grande tazza di caffè e luce caffè manuale
4. Tazza piccola di cappuccino e schiuma di latte leggera
5. Pulsante schiuma di latte
6. Tazza grande di cappuccino e schiuma di latte leggera
7. Piccola tazza di caffè con latte e luce di pulizia
8. Pulsante di pulizia
9. Grande tazza di caffè latte e luce di pulizia

PRIMA DEL PRIMO UTILIZZO

- Pulire e adescare l'unità prima del primo utilizzo.
- Fare riferimento alla sezione "Elenco delle parti" per familiarizzare con il prodotto e identificare tutte le parti.
- Assicurarci che l'unità sia spenta "O" premendo l'interruttore situato sul lato dell'unità. Assicurarsi che sia scollegato dalla presa elettrica.
- Rimuovere adesivi ed etichette dall'unità.
- Prima rimuovere e poi lavare il serbatoio dell'acqua, il serbatoio del latte, i due filtri, il portafiltra e il cucchiaino da caffè in una miscela di detergente delicato e acqua. Sciacquarli accuratamente e rimetterli nell'unità.
- Fare riferimento alle istruzioni nella sezione "Inserimento del filtro" prima di posizionare o rimuovere il portafiltra e il filtro dall'unità.
- Per pulire l'interno dell'apparecchio, seguire i passaggi elencati nelle sezioni di pulizia utilizzando acqua in entrambi i serbatoi e senza caffè nel filtro. Non immergere l'apparecchio in acqua né tentare di raggiungere le sue parti interne.
- **IMPORTANTE:** prima di utilizzare questo prodotto, ricordarsi di rimuovere il pezzo protettivo situato nella parte inferiore del serbatoio dell'acqua, come ordinato dall'adesivo informativo.

NOTA: Affinché l'unità funzioni correttamente di volta in volta, pulirla dopo ogni utilizzo.

Per adescare l'unità, eseguire il ciclo del vapore per 90 secondi seguendo i passaggi seguenti:

1. Riempire il serbatoio dell'acqua tra i livelli "Min" e "Max".
 2. Riempire il serbatoio del latte con acqua tra i livelli "Min" e "Max".
 3. Seleziona uno dei filtri e posizionalo sul portafiltro. Posizionare il portafiltro nell'unità assicurandosi che sia bloccato correttamente e posizionare una tazza sotto di esso. Inoltre, assicurarsi che la punta del tubo di erogazione del latte schiumato sia all'interno della tazza.
 4. Collegare l'elettrodomestico alla presa appropriata.
 5. Posizionare l'interruttore su "I".
 6. Le sei spie del pannello di controllo inizieranno a lampeggiare. Quando queste spie diventano fisse, premere due volte il pulsante del cappuccino.
 7. Una volta completato questo processo, le sei spie del pannello di controllo si accenderanno fisse.
- Ora la tua unità è stata caricata ed è pronta per essere utilizzata.

SELEZIONA LA TAZZA GIUSTA

Prima di preparare la bevanda, assicurati di selezionare la giusta dimensione della tazza in base alla seguente tabella:

TIPO DI BEVANDA RAPPORTO		
Caffè espresso	Una tazza ☕	60 ml
	Doppio ☕	119 ml
Cappuccino	Una tazza ☕	178 ml
	Doppio ☕	355 ml
Latte macchiato	Una tazza ☕	296 ml
	Doppio ☕	474 ml

SCEGLI IL CAFFÈ GIUSTO

• Il caffè:

Il caffè dovrebbe essere appena macinato e tostato scuro. Potresti provare una macinata francese o italiana per l'espresso. Il caffè pre-macinato manterrà il suo sapore solo per 7-8 giorni, a condizione che sia conservato in un contenitore ermetico e in un'area fresca e buia. Non conservare in frigorifero o congelatore. Si consiglia di macinare i fagioli interi appena prima dell'uso. I chicchi di caffè conservati in un contenitore ermetico manterranno il loro sapore fino a 4 settimane.

• La macinatura

Questo è un passaggio fondamentale nel processo di preparazione dell'espresso se stai macinando il tuo caffè e richiede pratica. Il caffè deve essere di una macinatura fine.

La macinatura corretta dovrebbe assomigliare al sale.

Se la macinatura è troppo fine, l'acqua non scorrerà attraverso il caffè anche sotto pressione. Queste macine sembrano polvere e si sentono come farina se strofinate tra le dita.

Se la macinatura è troppo grossa, l'acqua scorre attraverso il caffè troppo velocemente, impedendo un'estrazione di gusto pieno.

Assicurati di utilizzare una smerigliatrice di qualità per una consistenza uniforme.

BEVANDE AL CAFFÈ

• Caffè espresso:

Un metodo unico di preparazione del caffè in cui l'acqua calda viene forzata attraverso il caffè macinato finemente. Popolare in Europa, è una bevanda molto più ricca e corposa del normale caffè a goccia. A causa della sua ricchezza, l'espresso viene solitamente servito in tazze da 44 a 59 ml (da 1,5 a 2 once).

• Cappuccino:

Una bevanda a base di circa 1/3 di caffè espresso, 1/3 di latte al vapore e 1/3 di latte montato.

• Latte macchiato:

Una bevanda a base di circa 1/4 di caffè espresso e 3/4 di latte cotto a vapore.

ISTRUZIONI PER L'USO

• Riempi il serbatoio dell'acqua:

1. Riempi d'acqua il serbatoio dell'acqua, puoi usare un barattolo per riempirlo o rimuoverlo dall'unità e poi riempirlo sotto il rubinetto. Se l'hai rimosso dall'unità per riempirlo d'acqua, assicurati di rimetterlo saldamente al suo posto. Riempire il serbatoio con la quantità d'acqua desiderata assicurandosi che rientri nei segni "MIN" e "MAX" sul serbatoio. Non usare mai acqua calda o calda per riempire il serbatoio dell'acqua.
2. Chiudere il coperchio del serbatoio dell'acqua e rimetterlo nell'unità assicurandosi che sia ben saldo.

• Riempi il serbatoio del latte:

1. Se si prevede di preparare cappuccino o latte, rimuovere il serbatoio del latte dall'unità. Aprire il coperchio e poi versare la quantità di latte freddo che si stima sarà necessaria tra i livelli "MIN" e "MAX".
2. Al termine, rimetti il serbatoio del latte nell'unità assicurandoti che sia ben saldo.

Nota: Puoi utilizzare il tipo di latte che preferisci, ovvero latte intero, latte magro, biologico o di soia.

• Scegli il filtro:

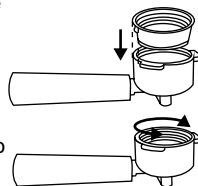
Selezionare il filtro da utilizzare come segue:

1. Per una singola tazza: Utilizzare il filtro per una singola tazza di espresso se si utilizza caffè macinato.
2. Per una doppia tazza o due tazze: Usa il filtro per una doppia tazza.

NOTA: Il filtro pod incluso con l'unità è stato progettato per funzionare solo con pod ESE (45 mm).

• Inserisci il filtro:

1. Per inserire il filtro selezionato nel portafiltro, assicurarsi di allineare la tacca sul filtro con la scanalatura all'interno del portafiltro.
2. Ruota il filtro verso sinistra o verso destra per bloccarlo in posizione. Ciò contribuirà a fissarlo nel portafiltro.



NOTA: Per rimuovere e pulire il filtro, ruotare il filtro a sinistra o a destra per allineare la tacca del filtro con la scanalatura all'interno del portafiltro.

AVVERTIMENTO: Assicurarsi che il filtro si sia raffreddato prima di tentare di rimuoverlo.

• Riempi con caffè:

Posizionare il filtro selezionato sul portafiltro come segue:

1. Riempire il filtro con caffè espresso fresco e finemente macinato (non riempire eccessivamente).

Nota: La quantità di caffè macinato non può superare il segno MAX.

2. Tamponare e comprimere in modo deciso e uniforme il caffè macinato.

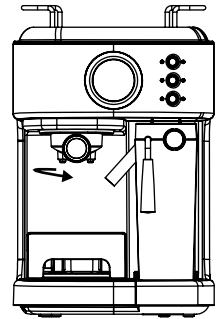
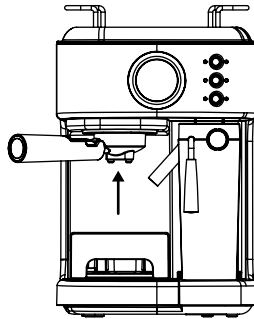
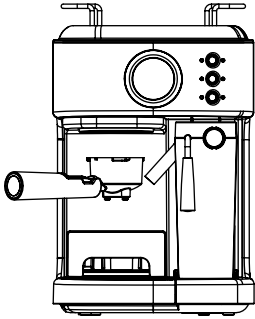
3. Pulire il caffè in eccesso dal bordo per garantire un corretto adattamento sotto la testa di infusione.

• **Posizionare il portafiltro:**

1. Posizionare il portafiltro sotto la testa di infusione, collegare il portafiltro spostando prima indietro la clip di fermo.

2. Posizionare la maniglia in modo che sia allineata con l'icona del lucchetto aperto sull'unità e si inserisca nella scanalatura.

3. Quindi, ruotarlo lentamente verso destra fino a quando la clip di ritenzione è allineata con il simbolo del lucchetto chiuso sull'unità.

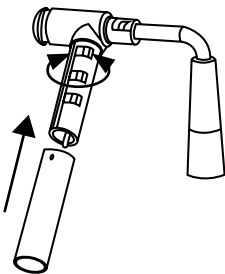
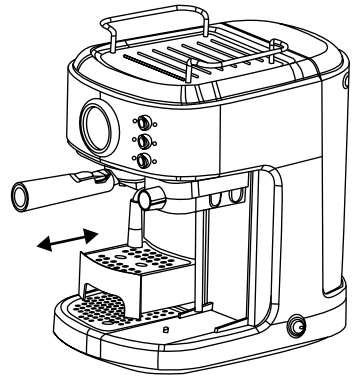


• **Posizionare la / e tazza / e:**

• Estrarre la staffa della vaschetta raccogliogocce se si utilizza una tazza piccola per preparare l'espresso.

• Tenere la staffa della vaschetta raccogliogocce all'interno del suo vano se si utilizza una tazza più grande per preparare il cappuccino.

• Tieni la staffa del vassoio raccogliogocce all'interno del suo vano se stai usando una tazza più grande per preparare il latte.



ATTENZIONE: Quando si prepara il cappuccino o il latte, assicurarsi di regolare la leva del tubo di schiumatura in modo da posizionare il tubo di erogazione del latte schiumoso all'interno della tazza da utilizzare, inoltre è possibile regolare la lunghezza del tubo di erogazione del latte schiumato bloccandolo su un altro posizione della leva del tubo schiumogeno per adattarsi alle diverse dimensioni di tazze. E puoi pulirlo ruotandolo verso l'esterno, quindi aggiustarlo.

• **Accendi l'unità:**

4. Assicurati che l'unità sia collegata.

5. Accendere l'unità in posizione "I". Le sei spie del pannello di controllo inizieranno a lampeggiare durante il riscaldamento e fino a quando l'acqua non raggiunge la temperatura perfetta. Quando le sei spie diventano fisse, l'unità è pronta per l'uso.

Nota: Il tubo per schiumare è molto caldo, fare attenzione.

SELEZIONA LA FUNZIONE

• **Caffè espresso:**

1. Premere una volta il pulsante caffè (☺ si illumina) per erogare una singola tazza di caffè.
2. Premere due volte il pulsante caffè (☺ si accende) per erogare una doppia tazza di caffè.
3. Tenere premuto il pulsante caffè per 3 secondi (☺ ☺ si accendono contemporaneamente) per preparare una tazza di caffè grande. Quando la quantità di caffè raggiunge il tuo bisogno, puoi premere qualsiasi pulsante per interrompere il funzionamento.

• L'unità può erogare l'espresso in base alle impostazioni e può arrestarsi automaticamente. Quando la luce ☺ ☺ è fissa, significa che ha finito di erogare e puoi goderti il tuo espresso.

avvertimento: Dopo che la macchina da caffè ha terminato l'erogazione, non estrarre immediatamente il filtro, ma attendere 10 secondi in più o in meno.

• **Cappuccino:**

Prima di erogare il cappuccino, ruotare la manopola di regolazione della schiuma in posizione centrale, è possibile regolare la quantità di latte montato in base alle proprie preferenze ruotando la manopola di controllo della schiuma verso destra per più schiuma e verso sinistra per meno schiuma.

Nota: L'intensità della schiuma può essere regolata durante il ciclo di erogazione.

1. Premere una volta il pulsante Cappuccino per preparare una tazza piccola di cappuccino.
2. Premere due volte il pulsante Cappuccino per preparare una tazza grande di cappuccino.

L'unità inizierà a erogare il cappuccino in base alla selezione. Dopodiché, il tuo delizioso cappuccino è pronto per essere gustato.

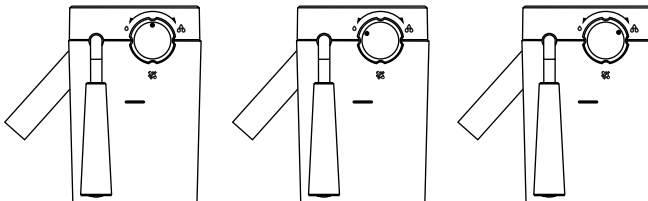
• **Latte macchiato:**

Prima di preparare il latte, regolare la quantità di latte emulsionato in base alle proprie preferenze ruotando la manopola di controllo della schiuma verso destra per più schiuma e verso sinistra per meno schiuma.

1. Premere una volta il pulsante Latte per preparare una tazza piccola di latte.
2. Premere due volte il pulsante Latte per preparare una tazza grande di latte.

• **Latte con schiuma:**

L'unità consente anche di preparare solo latte con schiuma.



1. Tenere premuto il pulsante Cappuccino per 3 secondi se si desidera aggiungere altra schiuma alla bevanda o preparare la schiuma di latte per qualsiasi altra bevanda, ad esempio macchiato, cioccolata calda, tea latte, ecc
 2. Al termine, premere nuovamente il pulsante Cappuccino per interromperlo.
- Dopo aver preparato le bevande con il latte: Una volta che hai finito di preparare la tua bevanda con il latte, puoi conservare il serbatoio del latte dell'unità direttamente nel frigorifero (pronto per essere utilizzato per la prossima volta) o gettare il latte rimanente.
 - Se non viene eseguita alcuna operazione entro 15 minuti, l'unità entrerà in modalità di sospensione, è possibile premere qualsiasi pulsante per riattivare l'unità.

PULIZIA E MANUTENZIONE

Leggere attentamente TUTTE le istruzioni, precauzioni, note e avvertenze incluse in questo manuale di istruzioni prima di iniziare a utilizzare questo apparecchio. Quando si utilizza questa unità, alcune parti e accessori si surriscaldano e devono raffreddarsi. Una cura e una manutenzione adeguate garantiranno la lunga durata della macchina automatica per caffè espresso, cappuccino e latte e il suo funzionamento senza problemi. Conservate queste istruzioni e consultatele spesso per suggerimenti sulla pulizia e la cura.

USO CORRETTO DEL CAFFÈ MACINATO PER MACCHINE ESPRESSO

Non utilizzare caffè macinato tostato con zucchero o chicchi di caffè tostati con zucchero poiché intasano il filtro e danneggiano l'apparecchio. Se si utilizza accidentalmente caffè tostato con zucchero, interrompere l'utilizzo dell'unità e portarlo al centro di assistenza più vicino per la manutenzione. Si consiglia di decalcificare periodicamente la macchina per mantenerla in buone condizioni di funzionamento. Contatta i nostri centri di assistenza per conoscere questo processo.

DECALCIFICAZIONE

Con il serbatoio del latte in posizione, l'apparecchio ricorderà all'utente di eseguire la decalcificazione facendo lampeggiare velocemente i sei indicatori alternati. A quel punto, l'utente deve riempire il serbatoio dell'acqua con 600 ml di acqua pulita e anticalcare dedicato, quindi premere contemporaneamente i pulsanti Espresso e Latte e quindi l'apparecchio entra automaticamente in condizione di decalcificazione.

Quindi, i sei indicatori lampeggeranno alternativamente lentamente, dopo aver lavorato per circa mezz'ora, i sei indicatori lampeggeranno rapidamente alternativamente, quindi l'utente dovrà svuotare il serbatoio dell'acqua e riempirlo con 600 ml di acqua pulita.

Dopodiché, premere di nuovo contemporaneamente i pulsanti Espresso e Latte e la macchina continuerà a eseguire la decalcificazione. Le sei spie lampeggeranno alternativamente lentamente, dopo aver lavorato per circa mezz'ora l'apparecchio smetterà di funzionare e tornerà in condizione di standby.

NOTA:

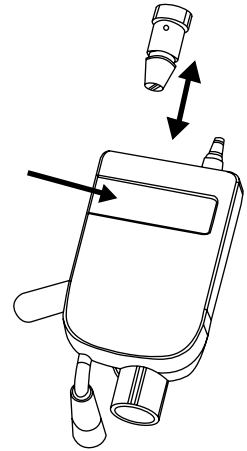
- È possibile premere qualsiasi pulsante funzionale per eseguire la funzione corrispondente quando l'apparecchiatura ricorda di eseguire la decalcificazione. L'apparecchio continuerà a ricordarvi di eseguire la decalcificazione dopo aver terminato di eseguire la funzione corrispondente.
- Il processo di decalcificazione può essere interrotto in qualsiasi momento premendo un pulsante qualsiasi, quindi l'apparecchiatura continuerà a ricordare all'utente di eseguire la decalcificazione. L'apparecchio entrerà in modalità standby normale solo dopo aver terminato l'intero processo di rimozione del calcare.

PULIZIA DEL SERBATOIO DEL LATTE E DEL TUBO PER SCHIUMARE

Anche se è possibile conservare il serbatoio del latte con il latte avanzato nel frigorifero, è importante pulire regolarmente il serbatoio e il tubo di schiumatura per evitare ostruzioni e residui di costruzione. Per pulire il serbatoio del latte, seguire le istruzioni elencate di seguito:

1. Rimuovere il serbatoio del latte dall'unità.
2. Rimuovere il coperchio del serbatoio.
3. Il connettore del tubo del vapore può essere staccato ruotandolo. Puoi pulirlo con l'acqua del rubinetto. Dopo la pulizia, fissarlo nel coperchio del serbatoio del latte ruotandolo di nuovo.
4. Quando si pulisce il serbatoio del latte, è possibile aprire il foglio di silicone (non estrarlo), lavarlo con acqua di rubinetto. Dopo la pulizia, riposizionare il foglio di silicone.
5. Versare il latte rimasto e sciacquare e lavare accuratamente il serbatoio del latte e il suo coperchio con acqua calda e sapone. Risciacquare e asciugare bene. Non utilizzare detergenti abrasivi e spugnette abrasive, poiché graffieranno la finitura. Il serbatoio del latte è anche lavabile in lavastoviglie (cestello superiore). Non mettere il coperchio del serbatoio del latte sulla lavastoviglie.
6. Posizionare una tazza grande vuota sotto il tubo per schiumare.
7. Ruotare la manopola di controllo della schiuma in senso orario sulla posizione di pulizia, quindi premere e tenere premuto il pulsante latte / clean per 3 secondi e rilasciarlo per attivare la funzione di pulizia. L'unità inizierà a rilasciare vapore attraverso il tubo schiumogeno, lasciarlo scorrere per alcuni secondi fino a quando non vedrai più latte nella tazza. Al termine, premere una volta il pulsante Latte / clean per interrompere il processo.
8. Smaltire l'acqua rimasta nel serbatoio del latte e rimetterla nell'unità.

Nota: Per smontare il serbatoio del latte, dovresti sollevarlo leggermente, quindi estrarlo.



PULIZIA DELLA TESTA DI INFUSIONE, DEL PORTAFILTRO E DEL FILTRO

1. Portare il pulsante di alimentazione sul lato dell'unità in posizione di spegnimento "O" e scollegare il cavo di alimentazione dalla presa elettrica.
2. Alcune delle parti metalliche potrebbero essere ancora calde. Non toccarli con le mani finché non si sono raffreddati.
3. Rimuovere il portafiltro e gettare i fondi di caffè o la cialda usata. Lavare sia il porta-filtro che il filtro con acqua calda e sapone e sciacquarli bene. Non lavare il portafiltro e i filtri in lavastoviglie.
4. Pulire la parte inferiore della testa di infusione nell'unità con un panno umido o un tovagliolo di carta per rimuovere eventuali fondi di caffè che potrebbero essere rimasti.
5. Riposizionare il porta-filtro (senza alcun filtro) nella testina di infusione dell'unità.
6. Posizionare una tazza grande vuota sotto il porta-filtro.
7. Premere una volta il pulsante espresso e lasciare che l'unità eroghi solo acqua finché non si ferma automaticamente.

PULIZIA DEL SERBATOIO DELL'ACQUA

Gettare l'acqua rimanente rimuovendo il serbatoio e capovolgendolo sopra il lavandino. Si consiglia di svuotare il serbatoio dell'acqua tra un utilizzo e l'altro. Lavare il serbatoio dell'acqua con acqua saponosa, sciacquarlo bene e asciugarlo. Il serbatoio dell'acqua è anche lavabile in lavastoviglie.

PULIZIA DELL'UNITÀ

1. Pulire l'alloggiamento con un panno morbido umido. Non utilizzare detergenti abrasivi o spugnette abrasive, poiché graffieranno la finitura.
2. Non conservare il portafiltro nella testa di infusione. Ciò può influire negativamente sulla tenuta tra la testa di infusione e il portafiltro durante l'erogazione dell'espresso.

Attenzione: Non immergere l'apparecchio in acqua.

DECALCIFICAZIONE DELL'UNITÀ

I depositi di minerali accumulati nell'unità influenzano il funzionamento dell'apparecchio. Il tuo apparecchio deve essere decalcificato quando inizi a notare un aumento del tempo necessario per preparare l'espresso, o quando c'è un'eccessiva cottura a vapore. Inoltre, potresti notare un accumulo di depositi bianchi sulla superficie della testa di infusione.

La frequenza della pulizia dipende dalla durezza dell'acqua utilizzata. Se si utilizza acqua dolce (acqua filtrata), la frequenza di pulizia dovrebbe essere ogni 80 cicli di erogazione; se si utilizza acqua dura (acqua di rubinetto), la frequenza di pulizia dovrebbe essere ogni 40 cicli di erogazione.

• Decalcificazione del serbatoio dell'acqua:

1. Riempi il serbatoio con aceto domestico bianco fresco e non diluito.
2. Lasciare riposare l'apparecchio per una notte con la soluzione di aceto nel serbatoio dell'acqua.
3. Gettare l'aceto rimuovendo il serbatoio e capovolgendolo sopra il lavandino.
4. Risciacquare accuratamente il serbatoio dell'acqua con acqua del rubinetto riempiendolo a metà con acqua e quindi versando nuovamente l'acqua nel lavandino, ripetendo questo passaggio due volte.

• Decalcificazione degli parti interne:

1. Assicurati di delimitare prima l'interno del serbatoio dell'acqua seguendo i passaggi di "Decalcificazione" sopra.
2. Assicurarsi di portare il pulsante di alimentazione in posizione "O" e il cavo di alimentazione è scollegato dalla presa elettrica. Riempi il serbatoio con aceto bianco sopra il livello minimo.
3. Inserire il porta-filtro (con filtro e senza caffè) e posizionare un barattolo o una tazza normale sopra la leccarda e sotto il porta-filtro.
4. Collegare il cavo di alimentazione alla presa elettrica.
5. Premere il pulsante di accensione per accendere l'unità "I". Quando le sei spie del pannello di controllo diventano blu fisse, premere due volte il pulsante Espresso. L'aceto inizierà a fluire attraverso l'unità e si fermerà automaticamente.
6. Posizionare un barattolo o una tazza grande (con una capacità di almeno 325 ml) sotto il tubo. Riempire il serbatoio del latte con acqua e rimetterlo sull'unità. Ruotare la manopola di controllo della schiuma in senso orario sulla posizione di pulizia, quindi premere e tenere premuto il pulsante Latte per 3 secondi per attivare la funzione di pulizia. Lascia che l'unità eroghi l'acqua attraverso il tubo per circa 30 secondi, quindi premi il pulsante Double Latte una volta per interrompere il processo.

7. Ripetere i passaggi da 1 a 6, se necessario, utilizzando solo acqua di rubinetto per sciacquare eventuali tracce di aceto rimanenti dalla macchina.

• **Modalità di decalcificazione manuale:**

Dopo che l'unità ha funzionato per 500 cicli, entrerà in allarme per la rimozione del calcare. Le spie Cappuccino e Latte lampeggiano a turno. Se non si decalcifica in tempo, il sistema delle vie d'acqua potrebbe bloccarsi.

Nota: Se si desidera eseguire la decalcificazione prima di 500 cicli, è possibile eseguire la decalcificazione manualmente come segue:

1. Assicurarsi che l'interruttore di alimentazione sia nella posizione "0" e che il cavo di alimentazione sia scollegato. Versare 400 ml di aceto bianco e 600 ml di acqua nel serbatoio dell'acqua. Montare il serbatoio del latte nell'unità, ruotare la manopola di controllo della montatura in senso orario in posizione di pulizia.
2. Portare l'interruttore di alimentazione in posizione "I", le spie Cappuccino e Latte lampeggiano a turno. Premere il pulsante Espresso e il pulsante Latte contemporaneamente, l'unità entrerà automaticamente in modalità decalcificazione. Le 6 spie lampeggiano ruotando un cerchio in senso orario, dal tubo di erogazione del latte emulsionato usciranno acqua calda e vapore. Dopo 10 minuti, l'unità entrerà in modalità standby e le 6 spie luminose si illumineranno.
3. Eliminare la soluzione decalcificante residua e pulire il serbatoio dell'acqua, riempire la quantità appropriata di acqua pura, erogare due tazze di Espresso continuamente e quindi erogare due tazze di Latte continuamente. La pulizia sarà terminata e le 6 spie luminose si accenderanno. L'unità tornerà alla modalità standby e dopo che l'unità ha funzionato di nuovo per 500 cicli, l'unità ricorderà di nuovo la rimozione del calcare.

Nota: In stato di promemoria rimozione del calcare, è ancora possibile far funzionare l'unità normalmente e, dopo l'operazione, tornerà allo stato di promemoria della rimozione del calcare.

RISOLUZIONE DEI PROBLEMI

PROBLEMA	CAUSA	SOLUZIONE
Il caffè non esce.	<ol style="list-style-type: none"> 1. Niente acqua nel serbatoio. 2. La macinatura del caffè è troppo fine. 3. Troppo caffè nel filtro. 4. L'apparecchio non è stato acceso o collegato. 5. Il caffè è stato pressato / compresso troppo. 	<ol style="list-style-type: none"> 1. Aggiungere acqua 2. Macina caffè macinato medio. 3. Riempi il filtro con meno caffè. 4. Collegare l'unità alla presa elettrica e accenderla. 5. Riempire il cestello del filtro con il caffè, non tamponare troppo.
Il caffè esce dal bordo del portafiltro.	<ol style="list-style-type: none"> 1. Porta-filtro non ruotato in posizione di blocco completo. 2. Fondi di caffè attorno al bordo del cestello del filtro. 3. Troppo caffè nel filtro. 	<ol style="list-style-type: none"> 1. Ruotare il supporto del filtro nella posizione di blocco completo. 2. Pulisci il bordo. 3. Riempi con meno caffè.
Il latte non è schiumoso dopo la montatura o non esce dal tubo di montatura.	<ol style="list-style-type: none"> 1. Ha finito il vapore. 2. Il latte non è abbastanza freddo. 3. Il tubo per schiumare è ostruito. 	<ol style="list-style-type: none"> 1. Assicurarsi che ci sia abbastanza acqua nel serbatoio. 2. Raffreddare il latte e la brocca per schiumare prima di preparare il cappuccino. 3. Seguire le istruzioni per pulire i serbatoi del latte e il tubo per schiumare.
Il caffè esce troppo velocemente.	<ol style="list-style-type: none"> 1. Il caffè macinato è troppo grosso. 2. Caffè insufficiente nel filtro. 	<ol style="list-style-type: none"> 1. Usa una macinatura più fine. 2. Usa più caffè.
Il caffè è troppo debole.	<ol style="list-style-type: none"> 1. Stai usando il filtro piccolo per il doppio espresso. 2. Il caffè macinato è troppo grosso. 	<ol style="list-style-type: none"> 1. Usa un filtro grande per il doppio espresso. 2. Usa una macinatura più fine.
Le tre spie del pannello di controllo lampeggiano alternativamente.	Il serbatoio dell'acqua è fuori dall'acqua.	Aggiungere l'acqua al serbatoio.



In conformità con le direttive: 2012/19 / UE e 2015/863 / UE sulla restrizione dell'uso di sostanze pericolose nelle apparecchiature elettriche ed elettroniche, nonché sul loro smaltimento dei rifiuti. Il simbolo con la pattumiera incrociata mostrato sulla confezione indica che il prodotto al termine della sua vita utile verrà raccolto come rifiuto separato. Pertanto, qualsiasi prodotto che ha raggiunto la fine della sua vita utile deve essere consegnato a centri specializzati di smaltimento dei rifiuti per la raccolta selettiva di rifiuti di apparecchiature elettriche ed elettroniche o restituito al rivenditore al momento dell'acquisto di nuove apparecchiature simili, in un'unica per una base. Una corretta raccolta separata per la successiva messa in servizio di apparecchiature spedite per essere riciclate, trattate e smaltite in modo ecologico aiuta a prevenire potenziali effetti negativi sull'ambiente e sulla salute e ottimizza il riciclaggio e il riutilizzo di i componenti che compongono il dispositivo. L'eliminazione abusiva del prodotto da parte dell'utente implica l'applicazione di sanzioni amministrative in conformità con le leggi.

Vielen Dank, dass Sie sich für unsere Kaffeemaschine entschieden haben. Lesen Sie diese Anweisungen sorgfältig durch, bevor Sie das Gerät verwenden und die bestmögliche Verwendung sicherstellen.

Die hierin enthaltenen Sicherheitsvorkehrungen verringern das Risiko von Tod, Verletzung und Stromschlag, wenn sie ordnungsgemäß eingehalten werden. Bewahren Sie das Handbuch zusammen mit der ausgefüllten Garantiekarte, dem Kaufbeleg und dem Paket an einem sicheren Ort auf, damit Sie später darauf zurückgreifen können. Geben Sie diese Anweisungen gegebenenfalls an den nächsten Besitzer des Geräts weiter. Befolgen Sie bei der Verwendung eines Elektrogeräts immer die grundlegenden Sicherheitsvorkehrungen und Unfallverhütungsmaßnahmen. Wir übernehmen keine Haftung für Kunden, die diese Anforderungen nicht erfüllen.

SICHERHEITSWARNUNGEN

Bei der Verwendung von Elektrogeräten sollten immer die grundlegenden Sicherheitsvorkehrungen beachtet werden.

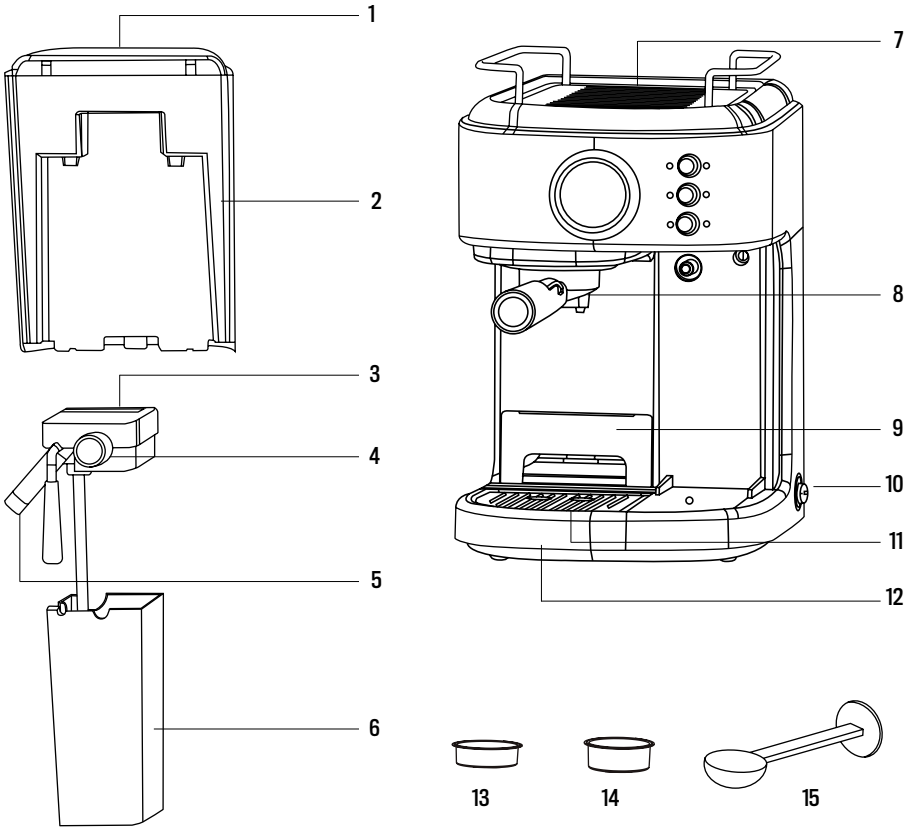
- Lesen Sie alle Anweisungen und bewahren Sie sie zum späteren Nachschlagen auf.
- Stellen Sie sicher, dass Ihre Ausgangsspannung der auf dem Typenschild der Kaffeemaschine angegebenen Spannung entspricht.
- Zum Schutz vor Feuer, Stromschlag und Verletzungen von Personen Kabel, Stecker oder Gerät nicht in Wasser oder andere Flüssigkeiten eintauchen.
- Eine enge Überwachung ist erforderlich, wenn ein Gerät von oder in der Nähe von Kindern verwendet wird.
- Ziehen Sie den Stecker aus der Steckdose, wenn Sie ihn nicht verwenden und bevor Sie ihn reinigen. Lassen Sie es abkühlen, bevor Sie Teile an- oder abnehmen und das Gerät reinigen.
- Betreiben Sie kein Gerät mit einem beschädigten Kabel oder Stecker oder nachdem das Gerät eine Fehlfunktion aufweist oder auf irgendeine Weise beschädigt wurde. Senden Sie das Gerät zur Prüfung, Reparatur oder Einstellung an eine autorisierte Serviceeinrichtung.
- Die Verwendung von Zubehör, das nicht vom Gerätehersteller empfohlen wird, kann zu Feuer, Stromschlag oder Verletzungen von Personen führen.
- Drehen Sie zum Trennen die Steuerung in die Aus-Position und ziehen Sie den Stecker aus der Steckdose.
- Berühren Sie keine heißen Oberflächen, verwenden Sie keine Griffe oder Knöpfe.
- Nicht im Freien oder für kommerzielle Zwecke verwenden.
- Lassen Sie das Kabel nicht über die Kante eines Tisches oder einer Theke hängen und berühren Sie keine heiße Oberfläche.
- Nur auf einer harten, ebenen Fläche verwenden, um eine Unterbrechung des Luftstroms unter dem Gerät zu vermeiden.
- Stellen Sie den Wasserbehälter immer mit geschlossenem Deckel wieder fest in das Gerät und füllen Sie ihn mit Wasser auf oder über dem Minimum, bevor Sie das Gerät einschalten.
- Entfernen Sie den Porta-Filter nicht, während Sie Kaffee kochen. Bitte stellen Sie sicher, dass die drei Lichter an sind, bevor Sie den Porta-Filter entfernen, um zusätzlichen Kaffee zuzubereiten. Vorsicht ist auch beim Entfernen des Portafilters geboten, da die Metallteile heiß sind. Stellen

Sie sicher, dass Sie es am Griff halten und den Filter mit dem Filterhalteclip entsorgen. Beim Bewegen des Geräts mit heißen Flüssigkeiten ist Vorsicht geboten.

- Entfernen Sie den Wasserbehälter erst, wenn das Gerät ausgeschaltet ist.
- Dieses Gerät darf nicht mit einem externen Timer oder einer separaten Fernbedienung betrieben werden.
- Das Gerät kann von Kindern ab 8 Jahren und Personen mit eingeschränkter körperlicher, sensorischer oder geistiger Leistungsfähigkeit oder mangelnder Erfahrung und Kenntnis verwendet werden, wenn sie eine Aufsicht oder Anleitung zur sicheren Verwendung des Geräts erhalten haben und die Gefahren verstehen beteiligt. Kinder dürfen nicht mit dem Gerät spielen. Reinigung und Wartung durch den Benutzer dürfen nur von Kindern durchgeführt werden, die älter als 8 Jahre sind und beaufsichtigt werden.
- Bewahren Sie das Gerät und sein Kabel außerhalb der Reichweite von Kindern unter 8 Jahren auf.
- Vergewissern Sie sich vor dem Entfernen von Teilen und Zubehör, dass die drei Lichter leuchten, drücken Sie den Netzschalter in die Aus-Position „0“ und ziehen Sie den Netzstecker aus der Steckdose.
- Entfernen Sie den Porta-Filter zu keinem Zeitpunkt während des Brühvorgangs.
- Seien Sie vorsichtig, wenn Sie den Porta-Filter entfernen. Die Metallteile können noch sehr heiß sein. Es kann auch heißes Wasser auf der Oberseite des Filters schwimmen. Halten Sie es nur am Griff und entsorgen Sie den gebrühten Kaffee mit dem Filterhalteclip.
- Wenn kein Kaffee tropft, ist der Filter verstopft. Schalten Sie das Gerät aus und lassen Sie es abkühlen. Die Verstopfung kann dadurch verursacht werden, dass der Kaffee zu fein gemahlen ist. Siehe den Abschnitt „Fehlerbehebung“.
- Beim Reinigen des Milchschaum-Ausgaberohrs: Stellen Sie eine große Tasse unter das Röhrchen. Füllen Sie den Milchbehälter mit Wasser und setzen Sie ihn wieder auf das Gerät. Drehen Sie den Schaumregler im Uhrzeigersinn in die Reinigungsposition und halten Sie dann die Latte / Clean-Taste 3 Sekunden lang gedrückt und lassen Sie sie los, um die Reinigungsfunktion zu aktivieren. Lassen Sie das Gerät das Wasser ca. 30 Sekunden lang durch das Röhrchen ablassen und drücken Sie dann einmal die Latte / Clean-Taste, um den Vorgang zu stoppen.
- Stellen Sie das Gerät nicht auf oder in der Nähe eines heißen Gas- oder Elektrobrenners oder in einen beheizten Ofen.
- Verwenden Sie das Gerät nur zur bestimmungsgemäßen Verwendung.
- Lassen Sie das Gerät nicht unbeaufsichtigt.
- Dieses Gerät ist für den Einsatz in Haushalten und ähnlichen Anwendungen vorgesehen, z. B.: Personalküchenbereiche in Geschäften, Büros und anderen Arbeitsumgebungen; Bauernhäuser; von Kunden in Hotels, Motels und anderen Wohnumgebungen; und Bed & Breakfast-Umgebungen.
- Tauchen Sie das Gerät niemals in Wasser oder andere Flüssigkeiten. Es besteht die Gefahr eines Stromschlags.
- Druck: Um mögliche Verbrennungen an Körperteilen und / oder andere Verletzungen durch heißen Dampf und Wasser oder Schäden am Gerät zu vermeiden, entfernen Sie niemals den Wasserbehälter oder den Por-

ta-Filter, während Ihre Espresso / Cappuccino-Maschine Kaffee kocht oder aufschäumt. Stellen Sie sicher, dass die drei Lichter an sind, bevor Sie den Porta-Filter entfernen können, um zusätzliche Tassen Kaffee zuzubereiten. Wenn Sie mehr Wasser oder Milch in die Vorratsbehälter geben müssen, stellen Sie bitte sicher, dass die drei Lichter an sind und schalten Sie das Gerät aus, indem Sie den roten Knopf an der Seite des Geräts in die Aus-Position „0“ drücken.

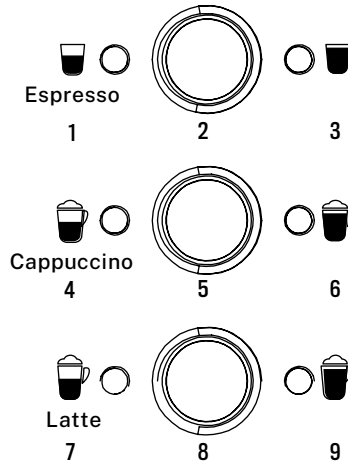
LISTE DER EINZELTEILE



- 1. Wassertankdeckel
- 2. Wassertank
- 3. Milchtankdeckel
- 4. Der Reglerknopf
- 5. Dampfdüse
- 6. Milchtank
- 7. Oberdeckdekoration
- 8. Filterhalter

- 9. Unterstützung für kleine Tassen
- 10. Schalter
- 11. Tropfplatte
- 12. Tropfschale
- 13. Filter für 1 Tasse
- 14. Filter für 2 Tassen
- 15. Kaffeemesslöffel und Presser

SCHALTТАFEL



1. Kleine Kaffeetasse und manuelles Kaffeelicht
2. Manueller Brühknopf
3. Große Tasse Kaffee und manuelles Kaffeelicht
4. Kleine Tasse Cappuccino und Milchschaum leicht
5. Milchschaumknopf
6. Große Tasse Cappuccino und Milchschaum leicht
7. Kleine Tasse Kaffee mit Milch und Reinigungslicht
8. Reinigungstaste
9. Große Tasse Latte Kaffee und Reinigungslicht

VOR DEM ERSTEN GEBRAUCH

- Reinigen und grundieren Sie das Gerät vor dem ersten Gebrauch.
- Weitere Informationen zum Produkt und zur Identifizierung aller Teile finden Sie im Abschnitt „Teilleiste“.
- Stellen Sie sicher, dass das Gerät ausgeschaltet ist, indem Sie den Schalter an der Seite des Geräts drücken. Stellen Sie sicher, dass der Netzstecker gezogen ist.
- Entfernen Sie Aufkleber und Etiketten vom Gerät.
- Entfernen und waschen Sie zuerst den Wassertank, den Milchtank, die beiden Filter, den Filterhalter und den Kaffeeöffel in einer Mischung aus mildem Reinigungsmittel und Wasser. Spülen Sie sie gründlich aus und setzen Sie sie wieder in das Gerät ein.
- Lesen Sie die Anweisungen im Abschnitt „Einsetzen des Filters“, bevor Sie den unter Druck stehenden Filterhalter und den Filter vom Gerät einsetzen oder entfernen.
- Befolgen Sie zum Reinigen des Geräteinneren die in den Reinigungsabschnitten aufgeführten Schritte mit Wasser in beiden Behältern und ohne Kaffee im Filter. Tauchen Sie das Gerät nicht in Wasser und versuchen Sie nicht, einen seiner Innenteile zu erreichen.
- **WICHTIG:** Denken Sie vor der Verwendung dieses Produkts daran, das Schutzstück am Boden des Wassertanks zu entfernen, wie auf dem Informationsaufkleber angeordnet.

HINWEIS: Reinigen Sie Ihr Gerät nach jedem Gebrauch, damit es immer wieder ordnungsgemäß funktioniert.

Führen Sie zum Entlüften des Geräts den Dampfzyklus 90 Sekunden lang aus, indem Sie die folgenden Schritte ausführen:

1. Füllen Sie den Wassertank zwischen den Füllständen „Min“ und „Max“.
 2. Füllen Sie den Milchtank mit Wasser zwischen den Füllständen „Min“ und „Max“.
 3. Wählen Sie einen der Filter aus und setzen Sie ihn auf den unter Filterhalter. Stellen Sie den unter Filterhalter in das Gerät, stellen Sie sicher, dass er ordnungsgemäß verriegelt ist, und stellen Sie eine Tasse darunter. Stellen Sie außerdem sicher, dass sich die Spitze des aufgeschäumten Milchausgaberohrs in der Tasse befindet.
 4. Stecken Sie das Gerät in die entsprechende Steckdose.
 5. Schalten Sie den Schalter auf „I“.
 6. Die sechs Bedienfeldleuchten beginnen zu blinken. Sobald diese Lichter durchgehend leuchten, drücken Sie zweimal die Cappuccino-Taste.
 7. Sobald dieser Vorgang abgeschlossen ist, leuchten die sechs Bedienfeldleuchten dauerhaft.
- Jetzt wurde Ihr Gerät vorbereitet und kann verwendet werden.

WÄHLEN SIE DIE RICHTIGE TASSE

Stellen Sie vor der Zubereitung Ihres Getränks sicher, dass Sie die richtige Körbchengröße auswählen zur folgenden Tabelle:

GETRÄNKETYP-VERHÄLTNIS		
Espresso	Eine Tasse ☕	60 ml
	Doppelt ☕	119 ml
Cappuccino	Eine Tasse ☕	178 ml
	Doppelt ☕	355 ml
Latté	Eine Tasse ☕	296 ml
	Doppelt ☕	474 ml

WÄHLEN SIE DEN RICHTIGEN KAFFEE

• Der Kaffee:

Der Kaffee sollte frisch gemahlen und dunkel geröstet sein. Vielleicht möchten Sie einen französischen oder italienischen Braten für Espresso probieren. Vorgemahlener Kaffee behält seinen Geschmack nur 7 bis 8 Tage lang, sofern er in einem luftdichten Behälter und an einem kühlen, dunklen Ort gelagert wird. Nicht im Kühlschrank oder Gefrierschrank aufbewahren. Es wird empfohlen, ganze Bohnen kurz vor dem Gebrauch zu mahlen. In einem luftdichten Behälter gelagerte Kaffeebohnen behalten ihren Geschmack bis zu 4 Wochen.

• Das Zermahlen

Dies ist ein wichtiger Schritt bei der Herstellung von Espresso, wenn Sie Ihren eigenen Kaffee mahlen und üben. Der Kaffee muss fein gemahlen sein.

Das richtige Mahl sollte wie Salz aussehen.

Wenn die Mahlung zu fein ist, fließt das Wasser auch unter Druck nicht durch den Kaffee. Diese Mühlen sehen aus wie Pulver und fühlen sich wie Mehl an, wenn sie zwischen den Fingern gerieben werden.

Wenn die Mahlung zu grob ist, fließt das Wasser zu schnell durch den Kaffee, wodurch eine vollmundige Extraktion verhindert wird.

Verwenden Sie für eine gleichmäßige Konsistenz unbedingt eine Qualitätsmühle.

KAFFEEGETRÄNKE

• Espresso:

Eine einzigartige Methode der Kaffeezubereitung, bei der heißes Wasser durch fein gemahlene Kaffee gepresst wird. In Europa beliebt, ist es ein weitaus reichhaltigeres und vollmundigeres Getränk als normaler Filterkaffee. Aufgrund seines Reichtums wird Espresso normalerweise in Tassen von 44 bis 59 ml serviert.

• Cappuccino:

Ein Getränk aus etwa 1/3 Espresso, 1/3 Dampfmilch und 1/3 Schaummilch.

• Latté:

Ein Getränk aus ca. 1/4 Espresso und 3/4 Dampfmilch.

BEDIENUNGSANLEITUNG

• Füllen Sie den Wassertank:

1. Füllen Sie den Wassertank mit Wasser. Sie können ihn entweder mit einem Gefäß auffüllen oder aus dem Gerät nehmen und dann unter dem Wasserhahn auffüllen. Wenn Sie es aus dem Gerät entfernt haben, um es mit Wasser aufzufüllen, stellen Sie es bitte wieder fest an seinen Platz. Füllen Sie den Behälter mit der gewünschten Menge Wasser, und achten Sie darauf, dass er innerhalb der Markierungen „MIN“ und „MAX“ am Tank liegt. Verwenden Sie niemals warmes oder heißes Wasser, um den Wasserbehälter zu füllen.
2. Schließen Sie den Deckel des Wasserbehälters und setzen Sie ihn wieder in das Gerät ein, um sicherzustellen, dass er fest sitzt.

• Füllen Sie den Milchtank:

1. Wenn Sie Cappuccino oder Latte zubereiten möchten, nehmen Sie den Milchtank aus dem Gerät. Öffnen Sie den Deckel und gießen Sie dann die Menge an kalter Milch ein, die Sie voraussichtlich zwischen den Werten „MIN“ und „MAX“ benötigen.
2. Wenn Sie fertig sind, setzen Sie den Milchtank wieder in das Gerät ein und achten Sie darauf, dass er fest sitzt.

Hinweis: Sie können die Milchart Ihrer Wahl verwenden, dh Vollmilch, fettarme Milch, Bio- oder Sojamilch.

• Wählen Sie den Filter:

Wählen Sie den zu verwendenden Filter wie folgt aus:

1. Für eine einzelne Tasse: Verwenden Sie den Filter für eine einzelne Tasse Espresso, wenn Sie gemahlene Kaffee verwenden.
2. Für eine doppelte Tasse oder zwei Tassen: Verwenden Sie den Filter für eine doppelte Tasse.

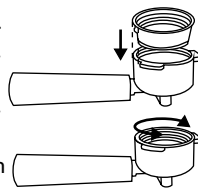
HINWEIS: Der im Lieferumfang Ihres Geräts enthaltene Pod-Filter funktioniert nur mit ESE-Pods (45 mm).

• Setzen Sie den Filter ein:

1. Stellen Sie zum Einsetzen des ausgewählten Filters in den Filterhalter sicher, dass die Kerbe am Filter mit der Nut im Filterhalter ausgerichtet ist.
2. Drehen Sie den Filter nach links oder rechts, um ihn zu arretieren. Dadurch wird der Filter im unter Filterhalter gesichert.

HINWEIS: Um den Filter zu entfernen und zu reinigen, drehen Sie den Filter nach links oder rechts, um die Filterkerbe an der Nut im Filterhalter auszurichten.

WARNUNG: Stellen Sie sicher, dass der Filter abgekühlt ist, bevor Sie versuchen, ihn zu entfernen.



• **Mit Kaffee füllen:**

Setzen Sie den ausgewählten Filter wie folgt auf den unter Filterhalter:

1. Füllen Sie den Filter mit frischem, fein gemahlenem Espresso (nicht überfüllen).

Hinweis: Die gemahlene Kaffeemenge darf die MAX-Marke nicht überschreiten.

2. Den gemahlene Kaffee fest und gleichmäßig eindringen und zusammendrücken.

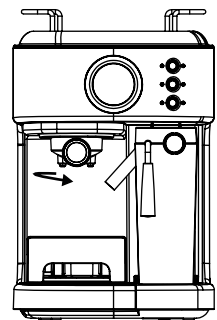
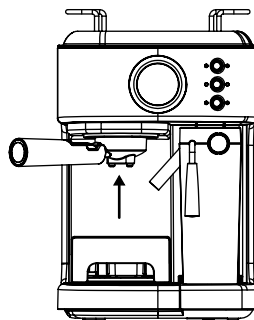
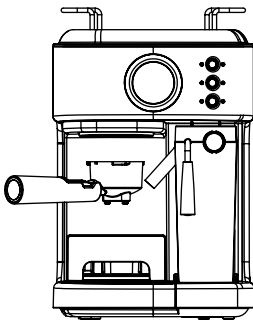
3. Reinigen Sie den Rand von überschüssigem Kaffee, um sicherzustellen, dass er richtig unter dem Brühkopf sitzt.

• **Platzieren Sie den unter Filterhalter:**

1. Platzieren Sie den unter Filterhalter unter dem Brühkopf und befestigen Sie den unter Filterhalter, indem Sie zuerst den Halteclip nach hinten bewegen.

2. Platzieren Sie den Griff so, dass der Griff mit dem Symbol für das offene Schloss am Gerät übereinstimmt und in die Nut passt.

3. Drehen Sie ihn dann langsam nach rechts, bis der Halteclip mit dem Symbol für geschlossenes Schloss am Gerät ausgerichtet ist.

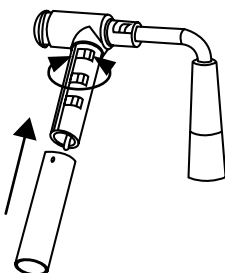
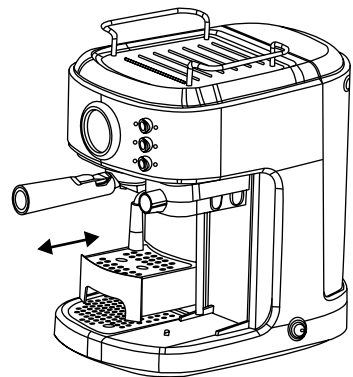


• **Stellen Sie die Tasse(n) auf:**

• Ziehen Sie die Tropfschalenhalterung heraus, wenn Sie zum Brühen von Espresso eine kleine Tasse verwenden.

• Bewahren Sie die Tropfschalenhalterung in ihrem Fach auf, wenn Sie zum Brühen von Cappuccino eine größere Tasse verwenden.

• Bewahren Sie die Tropfschalenhalterung in ihrem Fach auf, wenn Sie zum Brühen von Latte eine größere Tasse verwenden.



VORSICHT: Achten Sie beim Brauen von Cappuccino oder Latte darauf, den Hebel des Schaumrohrs einzustellen, um das Schaummilch-Abgaberohr in der zu verwendenden Tasse zu positionieren. Sie können auch die Länge des Schaummilch-Abgaberohrs einstellen, indem Sie es an einem anderen verriegelten Position des Schaumrohrhebels zur Anpassung an verschiedene Fassengrößen. Und Sie können es reinigen, indem Sie es herausdrehen und dann reparieren.

• **Schalten Sie das Gerät ein:**

4. Stellen Sie sicher, dass das Gerät angeschlossen ist.
5. Schalten Sie das Gerät in die Position „I“. Die sechs Bedienfeldleuchten beginnen während des Erhitzens zu blinken und bis das Wasser die perfekte Temperatur erreicht hat. Sobald die sechs Lichter durchgehend leuchten, ist das Gerät betriebsbereit.

Hinweis: Der Schaumschlauch ist sehr heiß, bitte Vorsicht.

WÄHLEN SIE DIE FUNKTION

• **Espresso:**

1. Drücken Sie die Kaffeetaste einmal (☐ leuchtet auf), um eine einzelne Tasse Kaffee zuzubereiten.
2. Drücken Sie die Kaffeetaste zweimal (☐ leuchtet auf), um eine doppelte Tasse Kaffee zuzubereiten.
3. Halten Sie die Kaffeetaste 3 Sekunden lang gedrückt (☐☐ leuchten Sie gleichzeitig auf), um eine große Tasse Kaffee zuzubereiten. Wenn die Kaffeemenge Ihren Bedarf erreicht, können Sie eine beliebige Taste drücken, um die Arbeit zu beenden.

• Das Gerät kann Espresso gemäß Ihrer Einstellung zubereiten und automatisch anhalten. Wenn ☐☐ es fest ist, bedeutet dies, dass das Brühen beendet ist und Sie Ihren Espresso genießen können.

Warnung: Nehmen Sie den Filter nach dem Aufbrühen der Kaffeemaschine nicht sofort heraus, sondern warten Sie mehr oder weniger 10 Sekunden.

• **Cappuccino:**

Drehen Sie vor dem Aufbrühen von Cappuccino den Schaumregler in die mittlere Position. Sie können die Menge der Milchschaum nach Ihren Wünschen einstellen, indem Sie den Schaumregler für mehr Schaum nach rechts und für weniger Schaum nach links drehen.

Hinweis: Die Schaumintensität kann während des Brühzyklus eingestellt werden.

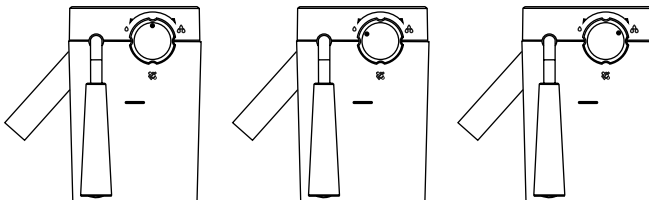
1. Drücken Sie einmal die Cappuccino-Taste, um eine kleine Tasse Cappuccino zuzubereiten.
2. Drücken Sie zweimal auf die Cappuccino-Taste, um eine große Tasse Cappuccino zuzubereiten.

Das Gerät beginnt mit dem Aufbrühen des Cappuccinos gemäß Ihrer Auswahl. Danach können Sie Ihren köstlichen Cappuccino genießen.

• **Latté:**

Stellen Sie vor der Zubereitung Ihres Latte die Menge der aufgeschäumten Milch nach Ihren Wünschen ein, indem Sie den Schaumregler für mehr Schaum nach rechts und für weniger Schaum nach links drehen.

1. Drücken Sie die Latte-Taste einmal, um eine kleine Tasse Latte zuzubereiten.
2. Drücken Sie die Latte-Taste zweimal, um eine große Tasse Latte zuzubereiten.



• **Schaummilch:**

Mit dem Gerät können Sie auch nur Schaummilch zubereiten.

1. Halten Sie die Cappuccino-Taste 3 Sekunden lang gedrückt, wenn Sie Ihrem Getränk mehr Schaum hinzufügen oder Schaummilch für ein anderes Getränk wie Macchiato, heiße Schokolade, Tee Latte usw. zubereiten möchten.
 2. Wenn Sie fertig sind, drücken Sie die Cappuccino-Taste erneut, um sie zu stoppen.
- Nach der Zubereitung Ihrer Getränke mit Milch: Sobald Sie Ihr Getränk mit Milch zubereitet haben, können Sie entweder den Milchbehälter des Geräts direkt im Kühlschrank aufbewahren (bereit für das nächste Mal) oder die übrig gebliebene Milch entsorgen.
 - Wenn innerhalb von 15 Minuten keine Operation ausgeführt wird, wechselt das Gerät in den Ruhemodus. Sie können eine beliebige Taste drücken, um das Gerät zu aktivieren.

REINIGUNG UND INSTANDHALTUNG

Bitte lesen Sie ALLE Anweisungen, Vorsichtsmaßnahmen, Hinweise und Warnungen in dieser Bedienungsanleitung sorgfältig durch, bevor Sie dieses Gerät verwenden. Wenn dieses Gerät verwendet wird, werden einige Teile und Zubehörteile heiß und müssen abkühlen. Durch die richtige Pflege und Wartung wird die lange Lebensdauer der automatischen Espresso-, Cappuccino- und Latte-Maschine sowie deren störungsfreier Betrieb gewährleistet. Speichern Sie diese Anweisungen und lesen Sie häufig die Reinigungs- und Pflegetipps.

RICHTIGE VERWENDUNG VON GEMAHLENEM KAFFEE FÜR ESPRESSOMASCHINEN

Verwenden Sie keinen zuckergerösteten gemahlene Kaffeebohnen oder zuckergeröstete Kaffeebohnen, da diese den Filter verstopfen und das Gerät beschädigen. Wenn versehentlich gerösteter Zuckerkaffee verwendet wird, verwenden Sie das Gerät nicht mehr und bringen Sie es zur Wartung zum nächstgelegenen Servicecenter. Wir empfehlen, die Maschine regelmäßig zu entkalken, um einen einwandfreien Zustand zu gewährleisten. Wenden Sie sich an unsere Service-Center, um mehr über diesen Prozess zu erfahren.

ENTKALKUNG

Wenn der Milchbehälter in Position gebracht ist, erinnert das Gerät den Benutzer daran, die Entkalkung durchzuführen, indem die sechs Anzeigen abwechselnd schnell blinken. Zu diesem Zeitpunkt muss der Benutzer den Wassertank mit 600 ml sauberem Wasser und einem speziellen Entkalker füllen, dann gleichzeitig die Tasten Espresso und Latte drücken und das Gerät wird automatisch entkalkt.

Dann blinken die sechs Anzeigen langsam abwechselnd, nach etwa einer halben Stunde Arbeit blinken die sechs Anzeigen schnell abwechselnd, und dann muss der Benutzer den Wassertank leeren und ihn mit 600 ml sauberem Wasser auffüllen.

Drücken Sie danach gleichzeitig erneut die Tasten Espresso und Latte, und das Gerät führt die Entkalkung weiter durch. Die sechs Anzeigen blinken langsam abwechselnd. Nach etwa einer halben Stunde Arbeit hört das Gerät auf zu arbeiten und kehrt in den Standby-Zustand zurück.

HINWEIS:

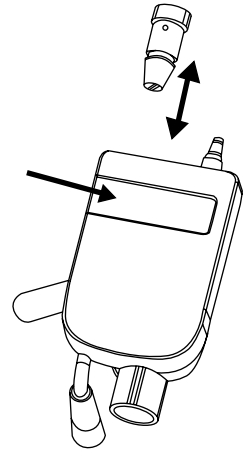
- Sie können beliebige Funktionstasten drücken, um die entsprechende Funktion auszuführen, wenn die Appliance Sie an die Entkalkung erinnert. Das Gerät erinnert Sie weiterhin daran, nach Abschluss der entsprechenden Funktion eine Entkalkung durchzuführen.
- Der Entkalkungsvorgang kann jederzeit durch Drücken einer beliebigen Taste gestoppt werden. Die Appliance erinnert den Benutzer dann weiterhin daran, die Entkalkung durchzuführen. Das Gerät wechselt erst nach Abschluss des gesamten Entkalkungsvorgangs in den normalen Standby-Modus.

MILCHBEHÄLTER UND SCHAUMSCHLAUCH REINIGEN

Obwohl Sie den Milchbehälter mit Milchresten im Kühlschrank aufbewahren können, ist es wichtig, den Behälter und den Schaumschlauch regelmäßig zu reinigen, um Verstopfungen und Rückstände zu vermeiden. Befolgen Sie zum Reinigen des Milchbehälters die folgenden Anweisungen:

1. Entfernen Sie den Milchbehälter vom Gerät.
2. Entfernen Sie den Deckel des Vorratsbehälters.
3. Der Dampfrohranschluss kann durch Drehen gelöst werden. Sie können es mit Leitungswasser reinigen. Nach der Reinigung befestigen Sie es bitte im Milchbehälterdeckel, indem Sie es erneut drehen.
4. Wenn Sie den Milchbehälter reinigen, können Sie die Silikonfolie öffnen (nicht herausziehen) und mit Leitungswasser waschen. Legen Sie nach der Reinigung die Silikonfolie wieder ein.
5. Gießen Sie die verbleibende Milch ein und spülen Sie den Milchbehälter und seinen Deckel aus und waschen Sie ihn gründlich mit warmem Seifenwasser. Gut abspülen und trocknen. Verwenden Sie keine Scheuermittel und Scheuerschwämme, da diese das Finish zerkratzen. Der Milchbehälter ist auch spülmaschinenfest (oberes Gestell). Setzen Sie den Deckel des Milchbehälters nicht auf die Spülmaschine.
6. Stellen Sie eine große leere Tasse unter das Schaumrohr.
7. Drehen Sie den Schaumregler im Uhrzeigersinn in die Reinigungsposition, halten Sie die Latte / Clean-Taste 3 Sekunden lang gedrückt und lassen Sie sie los, um die Reinigungsfunktion zu aktivieren. Das Gerät setzt Dampf durch das Schaumrohr frei und lässt es einige Sekunden lang laufen, bis sich keine Milch mehr in der Tasse befindet. Wenn Sie fertig sind, drücken Sie einmal die Latte / Clean-Taste, um den Vorgang zu stoppen.
8. Entsorgen Sie das auf dem Milchbehälter verbleibende Wasser und stellen Sie es wieder in das Gerät.

Hinweis: Zum Zerlegen des Milchbehälters sollten Sie ihn ein wenig anheben und dann herausziehen.



REINIGEN DES BRÜHKOPFES, DES PORTAFILTERS UND DES FILTERS

1. Schalten Sie den Netzschalter an der Seite des Geräts in die Aus-Position „O“ und ziehen Sie das Netzkabel aus der Steckdose.
2. Einige der Metallteile sind möglicherweise noch heiß. Berühren Sie sie nicht mit Ihren Händen, bis sie abgekühlt sind.
3. Entfernen Sie den Porta-Filter und entsorgen Sie den Kaffeesatz oder die gebrauchte Schote. Waschen Sie sowohl den Porta-Filter als auch den Filter mit warmem Seifenwasser und spülen Sie sie gut aus. Waschen Sie den Porta-Filter und die Filter nicht in der Spülmaschine.
4. Wischen Sie den unteren Teil des Brühkopfs im Gerät mit einem feuchten Tuch oder Papiertuch ab, um eventuell zurückgebliebenen Kaffeesatz zu entfernen.
5. Setzen Sie den Porta-Filter (ohne Filter) wieder in den Brühkopf des Geräts ein.
6. Stellen Sie eine leere große Tasse unter den Portafilter.
7. Drücken Sie die Espressotaste einmal und lassen Sie das Gerät nur mit Wasser brühen, bis es automatisch stoppt.

WASSERBEHÄLTER REINIGEN

Entsorgen Sie das restliche Wasser, indem Sie den Behälter entfernen und ihn über der Spüle auf den Kopf stellen. Es wird empfohlen, den Wasserbehälter zwischen den Einsätzen zu leeren. Waschen Sie den Wasserbehälter mit Seifenwasser, spülen Sie ihn gut aus und wischen Sie ihn trocken. Der Wasserbehälter ist auch spülmaschinenfest.

GERÄT REINIGEN

1. Wischen Sie das Gehäuse mit einem weichen, feuchten Tuch ab. Verwenden Sie keine Scheuermittel oder Scheuerschwämme, da diese das Finish zerkratzen.
2. Bewahren Sie den Porta-Filter nicht im Brühkopf auf. Dies kann die Dichtung zwischen Brühkopf und Porta-Filter beim Brühen von Espresso beeinträchtigen.

Vorsicht: Tauchen Sie das Gerät nicht in Wasser.

GERÄT ABGRENZEN

Im Gerät angesammelte Mineralablagerungen beeinträchtigen den Betrieb des Geräts. Ihr Gerät muss abgegrenzt werden, wenn Sie feststellen, dass sich die zum Aufbrühen von Espresso erforderliche Zeit verlängert oder wenn zu viel gedämpft wird. Möglicherweise stellen Sie auch fest, dass sich auf der Oberfläche des Brühkopfs weiße Ablagerungen ansammeln.

Die Häufigkeit der Reinigung hängt von der Härte des verwendeten Wassers ab. Wenn Sie weiches Wasser (gefiltertes Wasser) verwenden, sollte die Reinigungsfrequenz alle 80 Brühzyklen betragen. Wenn Sie hartes Wasser (Leitungswasser) verwenden, sollte die Reinigungsfrequenz alle 40 Brühzyklen betragen.

• Den Wasserbehälter verzögern:

1. Füllen Sie den Behälter mit frischem, unverdünntem weißem Haushaltsessig.
2. Lassen Sie das Gerät über Nacht mit der Essiglösung im Wasserbehälter stehen.
3. Werfen Sie den Essig weg, indem Sie das Reservoir entfernen und es über der Spüle auf den Kopf stellen.
4. Spülen Sie den Wasserbehälter gründlich mit Leitungswasser aus, indem Sie den Tank zur Hälfte mit Wasser füllen und dann das Wasser wieder in die Spüle gießen. Wiederholen Sie diesen Schritt zweimal.

• Interne Teile verzögern:

1. Stellen Sie sicher, dass Sie zuerst das Innere des Wasserbehälters entkalken, indem Sie die obigen Schritte unter „Entkalkung“ ausführen.
2. Stellen Sie sicher, dass der Netzschalter auf „0“ steht und das Netzkabel aus der Steckdose gezogen ist. Füllen Sie den Behälter mit weißem Essig über dem Mindeststand.
3. Setzen Sie den Porta-Filter (mit Filter und ohne Kaffee) ein und stellen Sie ein Glas oder eine normale Tasse auf die Tropfschale und unter den Porta-Filter.
4. Stecken Sie das Netzkabel in die Steckdose.
5. Drücken Sie den Netzschalter, um das Gerät auf „I“ zu stellen. Sobald die sechs Kontrollleuchten blau leuchten, drücken Sie zweimal die Espressotaste. Der Essig fließt durch das Gerät und stoppt automatisch.
6. Stellen Sie ein Glas oder eine große Tasse (mit einem Fassungsvermögen von mindestens 325 ml) unter das Röhrchen. Füllen Sie den Milchbehälter mit Wasser und setzen Sie ihn wieder auf das Gerät. Drehen Sie den Schaumregler im Uhrzeigersinn in die Reinigungsposition und halten Sie die Latte-Taste 3 Sekunden lang gedrückt, um die Reinigungsfunktion zu aktivieren. Lassen Sie das Gerät das Wasser ca. 30 Sekunden lang durch das Röhrchen ablassen und drücken Sie dann einmal die Double Latte-Taste, um den Vorgang zu stoppen.

7. Wiederholen Sie die Schritte 1 bis 6 nach Bedarf, indem Sie nur Leitungswasser verwenden, um alle verbleibenden Essigspuren aus der Maschine zu entfernen.

• **Manueller Entkalkungsmodus:**

Nachdem das Gerät 500 Zyklen lang gearbeitet hat, wird ein Alarm zur Entkalkung ausgelöst. Cappuccino- und Latte-Anzeige blinken nacheinander. Wenn Sie nicht rechtzeitig entkalken, kann das Wasserstraßensystem blockieren.

Hinweis: Wenn Sie vor 500 Zyklen entkalken möchten, können Sie die folgenden Schritte manuell entkalken:

1. Stellen Sie sicher, dass sich der Netzschalter auf „0“ befindet und das Netzkabel abgezogen ist. Füllen Sie 400 ml weißen Essig und 600 ml Wasser in den Wassertank. Bauen Sie den Milchtank in das Gerät ein und drehen Sie den Schaumregler im Uhrzeigersinn, um die Position zu reinigen.
2. Drücken Sie den Netzschalter in die Position „I“. Die Cappuccino- und Latte-Anzeige blinken nacheinander. Drücken Sie gleichzeitig die Espresso-Taste und die Latte-Taste. Das Gerät wechselt automatisch in den Entkalkungsmodus. Die 6 Anzeigelampen blinken, indem Sie einen Kreis im Uhrzeigersinn drehen. Das aufgeschäumte Milchausgaberohr lässt heißes Wasser und Dampf ab. Nach 10 Minuten wechselt das Gerät in den Standby-Modus und die 6 Anzeigelampen leuchten auf.
3. Entsorgen Sie die restliche Entkalkungslösung und reinigen Sie den Wassertank, füllen Sie eine angemessene Menge reines Wasser ein, brauen Sie kontinuierlich zwei Tassen Espresso und dann kontinuierlich zwei Tassen Latte. Die Reinigung ist abgeschlossen und die 6 Anzeigelampen leuchten auf. Das Gerät kehrt in den Standby-Modus zurück und nachdem das Gerät wieder 500 Zyklen lang gearbeitet hat, erinnert es erneut an das Entkalken.

Hinweis: Unter dem Entkalkungserinnerungsstatus können Sie das Gerät weiterhin normal betreiben. Nach dem Betrieb kehrt es zum Entkalkungserinnerungsstatus zurück.

FEHLERBEHEBUNG

PROBLEM	URSACHE	LÖSUNG
Kaffee kommt nicht heraus.	<ol style="list-style-type: none"> 1. Kein Wasser im Reservoir. 2. Kaffeemühle ist zu fein. 3. Zu viel Kaffee im Filter. 4. Das Gerät war nicht eingeschaltet oder angeschlossen. 5. Kaffee wurde zu stark gestampft / komprimiert. 	<ol style="list-style-type: none"> 1. Wasser hinzufügen 2. Mahlen Sie mittel gemahlene Kaffee. 3. Füllen Sie den Filter mit weniger Kaffee. 4. Stecken Sie das Gerät in eine Steckdose und schalten Sie es ein. 5. Füllen Sie den Filterkorb mit Kaffee, stopfen Sie nicht zu viel.
Kaffee tritt am Rand des Portafilters aus.	<ol style="list-style-type: none"> 1. Porta-Filter nicht in Vollverriegelungsposition gedreht. 2. Kaffeesatz um den Rand des Filterkorbs. 3. Zu viel Kaffee im Filter. 	<ol style="list-style-type: none"> 1. Drehen Sie den Filterhalter in die volle Verriegelungsposition. 2. Felge abwischen. 3. Mit weniger Kaffee füllen.
Milch ist nach dem Aufschäumen nicht schaumig oder kommt nicht aus dem Aufschäumrohr.	<ol style="list-style-type: none"> 1. Es ging der Dampf aus. 2. Milch ist nicht kalt genug. 3. Schaumschlauch ist verstopft. 	<ol style="list-style-type: none"> 1. Stellen Sie sicher, dass sich genügend Wasser im Behälter befindet. 2. Kühlen Sie Milch und Schaumkrug, bevor Sie Cappuccino machen. 3. Befolgen Sie die Anweisungen zum Reinigen der Milchbehälter und des Schaumrohrs.
Kaffee kommt zu schnell heraus.	<ol style="list-style-type: none"> 1. Gemahlener Kaffee ist zu grob. 2. Nicht genug Kaffee im Filter. 	<ol style="list-style-type: none"> 1. Verwenden Sie einen feineren Mahlgrad. 2. Verwenden Sie mehr Kaffee.
Kaffee ist zu schwach.	<ol style="list-style-type: none"> 1. Sie verwenden den kleinen Filter für doppelten Espresso. 2. Gemahlener Kaffee ist zu grob. 	<ol style="list-style-type: none"> 1. Verwenden Sie einen großen Filter für doppelten Espresso. 2. Verwenden Sie einen feineren Mahlgrad.
Die drei Bedienfeldleuchten blinken alternativ.	Der Wassertank hat kein Wasser mehr.	Wasser in den Vorratsbehälter geben.



In Übereinstimmung mit den Richtlinien: 2012/19 / EU und 2015/863 / EU über die Beschränkung der Verwendung gefährlicher Stoffe in elektrischen und elektronischen Geräten sowie deren Abfallentsorgung. Das Symbol mit der gekreuzten Mülltonne auf der Verpackung zeigt an, dass das Produkt am Ende seiner Nutzungsdauer als separater Abfall gesammelt wird. Daher muss jedes Produkt, das das Ende seiner Nutzungsdauer erreicht hat, an spezialisierte Abfallentsorgungszentren zur selektiven Sammlung von elektrischen und elektronischen Abfallgeräten geliefert oder beim Kauf ähnlicher neuer Geräte an den Einzelhändler zurückgegeben werden für eine Basis. Die ordnungsgemäße getrennte Sammlung für die spätere Inbetriebnahme von Geräten, die zum umweltfreundlichen Recycling, zur Behandlung und Entsorgung versandt werden, trägt dazu bei, mögliche negative Auswirkungen auf Umwelt und Gesundheit zu vermeiden und das Recycling und die Wiederverwendung zu optimieren die Komponenten, aus denen das Gerät besteht. Die missbräuchliche Beseitigung des Produkts durch den Benutzer impliziert die Anwendung von Verwaltungsanktionen in Übereinstimmung mit den Gesetzen.

Bedankt voor het kiezen van ons koffiezetapparaat. Lees de instructies aandachtig door voordat u dit apparaat gebruikt en om er zeker van te zijn dat het optimaal gebruikt wordt.

De veiligheidsmaatregelen die hier worden vermeld, verminderen het risico op brand, elektrische schokken en letsel als ze correct worden opgevolgd. Bewaar de handleiding op een veilige plaats voor toekomstig gebruik, evenals de garantie, aankoopbon en doos. Geef deze handleiding eventueel door aan de toekomstige eigenaar van het apparaat. Volg altijd de basisveiligheidsinstructies en risicopreventie-maatregelen bij het gebruik van een elektrisch apparaat. De fabrikant is niet aansprakelijk voor enige schade die het gevolg is van het niet naleven van deze instructies door de gebruiker.

VEILIGHEIDSWAARSCHUWINGEN

Het gebruik van elektrische apparaten vereist elementaire veiligheidsmaatregelen. Lees alle instructies zorgvuldig door.

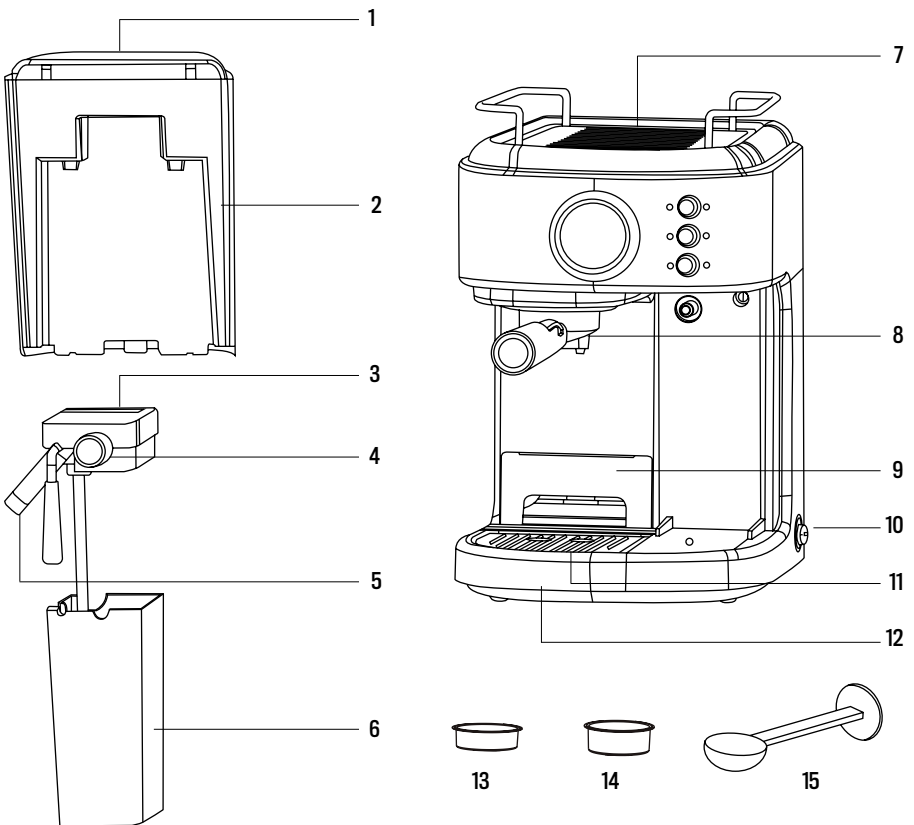
- Lees alle instructies en bewaar ze voor toekomstig gebruik.
- Zorg ervoor dat het voltage bij uw stopcontact overeenkomt met het voltage dat is aangegeven op het typeplaatje van het koffiezetapparaat.
- Dompel het snoer, de stekker of het apparaat niet onder in water of andere vloeistoffen om u te beschermen tegen brand, elektrische schokken en persoonlijk letsel.
- Nauw toezicht is noodzakelijk wanneer een apparaat wordt gebruikt door of in de buurt van kinderen.
- Haal de stekker van het koffiezetapparaat uit het stopcontact wanneer u het niet gebruikt en voordat u het schoonmaakt. Laat het afkoelen voordat u onderdelen aanbrengt of verwijdert en voordat u het schoonmaakt.
- Gebruik geen apparaat met een beschadigd snoer of stekker of na schade. Breng het apparaat naar een erkend servicecentrum voor onderzoek, reparatie of afstelling.
- Het gebruik van accessoires die niet worden aanbevolen door de fabrikant van de koffiemachine, kan leiden tot brand, elektrische schokken of persoonlijk letsel.
- Om de verbinding te verbreken, draait u een willekeurige knop naar de uit-stand en haalt u de stekker uit het stopcontact.
- Raak geen hete oppervlakken aan, gebruik de meegeleverde handvatten of knoppen.
- Gebruik het niet buitenshuis of voor commerciële doeleinden.
- Laat het snoer niet over de rand van een tafel of aanrecht hangen en mag geen heet oppervlak raken.
- Gebruik het apparaat alleen op een vlak, hard oppervlak om te voorkomen dat de luchtstroom onder het apparaat wordt onderbroken.
- Zorg er altijd voor dat u het waterreservoir stevig in het apparaat plaatst met het deksel gesloten en vul het met water tot boven het minimum voordat u het koffiezetapparaat inschakelt.
- Verwijder de filterhouder niet tijdens het zetten van koffie. Zorg ervoor dat alle drie de lampjes branden voordat u de filterhouder verwijdert om

meer koffie te zetten. Wees ook voorzichtig bij het verwijderen van de filterhouder, aangezien de metalen onderdelen heet zullen zijn. Houd het bij het handvat vast en gebruik de filterklem om het koffiedik te verwijderen. Wees voorzichtig bij het verplaatsen van het apparaat met hete vloeistoffen.

- Verwijder het waterreservoir pas als het apparaat is uitgeschakeld.
- Dit apparaat is niet ontworpen om te worden gebruikt door middel van een externe timer of een afzonderlijk afstandsbedieningssysteem.
- Het apparaat kan worden gebruikt door kinderen vanaf 8 jaar en mensen met verminderde fysieke, sensorische of mentale capaciteiten of gebrek aan ervaring en kennis, mits ze onder toezicht staan of instructies hebben gekregen over hoe het apparaat veilig te gebruiken en de gevaren begrijpen. Kinderen mogen niet met het apparaat spelen. Kinderen mogen niet door de gebruiker schoonmaken en onderhouden, tenzij ze ouder zijn dan 8 jaar en onder toezicht staan.
- Houd het apparaat en het snoer buiten het bereik van kinderen jonger dan 8 jaar.
- Voordat u onderdelen en accessoires verwijdert, moet u ervoor zorgen dat alle drie de lampjes branden, de aan / uit-knop in de uit-stand "O" zetten en de stekker uit het stopcontact halen.
- Verwijder de filterhouder op geen enkel moment tijdens het bereidingsproces.
- Wees voorzichtig bij het verwijderen van de filterhouder. Metalen onderdelen kunnen nog erg heet zijn. Er kan ook heet water naar de bovenkant van het filter drijven. Houd het alleen bij het handvat vast en gooi de gemalen koffie weg met behulp van de filterklem.
- Als de koffie niet druppelt, is het filter verstopt. Schakel het apparaat uit en laat het afkoelen. De blokkering kan worden veroorzaakt doordat de koffie te fijn is gemalen. Zie het gedeelte "Probleemoplossing".
- Reinig het stoompijpje: Plaats een grote beker onder de buis. Vul de melktank met water en plaats deze terug in het apparaat. Draai de schuimregelknop rechtsom naar de reinigingspositie en houd vervolgens de latte / clean-knop 3 seconden ingedrukt en laat los om de reinigingsfunctie te activeren. Laat het apparaat het water ongeveer 30 seconden door het mondstuk afgeven en druk vervolgens eenmaal op de latte / clean-knop om het proces te stoppen.
- Niet op of naast een hete gas-of elektrische brander of in een hete oven plaatsen.
- Gebruik het koffiezetapparaat niet voor een ander gebruik dan aangegeven.
- Laat het koffiezetapparaat niet onbeheerd achter.
- Dit apparaat is ontworpen voor gebruik in huishoudelijke en soortgelijke installaties, zoals: keukens voor personeel in winkels, kantoren en andere werkomgevingen; landhuizen; door klanten in hotels, motels en andere residentiële instellingen; en accommodatie van het type "bed and breakfast".
- Dompel het apparaat nooit onder in water of andere vloeistoffen. Er bestaat gevaar voor elektrische schokken.

- **Druk:** Om mogelijke brandwonden aan lichaamsdelen of ander letsel door stoom en heet water of schade aan het apparaat te voorkomen, mag u het waterreservoir of de filterhouder nooit verwijderen terwijl uw koffiezetapparaat koffie zet of melk opschuimt. Zorg ervoor dat alle drie de lampjes branden voordat u de filterhouder verwijdert om extra kopjes koffie te zetten. Als u meer water of melk aan de tanks moet toevoegen, zorg er dan voor dat alle drie de lampjes branden en schakel het apparaat uit door de rode knop aan de zijkant van het apparaat in de "0" uitstand te drukken.

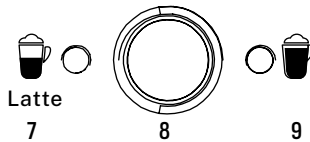
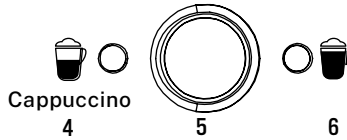
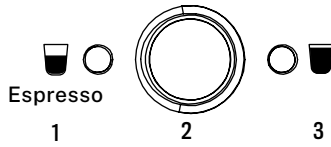
LIJST MET ONDERDELEN



1. Watertank dop
2. Watertank
3. Melk tank dop
4. Bedieningsknop
5. Stoommondstuk
6. Melk tank
7. Bovendek decoratie

8. Ondersteuning voor kleine kopjes
9. Lekbakje houder
10. schakelaar
11. Lekplaat
12. Afdruiprek
13. Filter voor 1 kopje
14. Filter voor 2 kopjes
15. Koffie maatlepel en Presser

CONTROLEPANEEL



1. Klein koffiekopje en handmatig koffielicht
2. Handmatige koffiezetknop
3. Grote kop koffie en handmatig koffielicht
4. Klein kopje cappuccino en melkschuimlampje
5. Melkschuimknop
6. Grote kop cappuccino en melkschuim licht
7. Klein kopje koffie met melk en schoonmaaklampje
8. Schoonmaak knop
9. Grote kop latte koffie en schoonmaaklampje

VOOR HET EERSTE GEBRUIK

- Maak het apparaat schoon en bereid het voor op het eerste gebruik.
- Zie het gedeelte "Onderdelenlijst" om vertrouwd te raken met het product en alle onderdelen te identificeren.
- Zorg ervoor dat het apparaat is uitgeschakeld in de "O"-stand door op de schakelaar aan de zijkant van het apparaat te drukken. Zorg ervoor dat de stekker uit het stopcontact is gehaald.
- Verwijder de stickers en labels van het apparaat.
- Verwijder en was eerst het waterreservoir, de melktank, de twee filters, het handvat van de filterhouder en de koffiemaatlepel in een mengsel van mild afwasmiddel en water. Spoel ze allemaal goed af en plaats ze terug in het apparaat.
- Raadpleeg de instructies in het gedeelte "Het filter plaatsen" voordat u de filterhouder en het filter uit het apparaat plaatst of verwijdert.
- Om de binnenkant van het apparaat schoon te maken, volgt u de stappen die worden vermeld in de hoofdstukken over schoonmaken met water in beide tanks en zonder koffie in het filter. Dompel het apparaat niet onder in water en probeer geen toegang te krijgen tot de interne onderdelen.
- **BELANGRIJK:** Het gebruik van het product, het terugwinnen van de bescherming van de situatie en het deel van het inferieure depot van de agua, het verkrijgen van informatie over de adhesieve informatie.

NOTITIE: Om ervoor te zorgen dat uw koffiezetapparaat steeds weer goed blijft werken, moet u het na elk gebruik schoonmaken. Om het koffiezetapparaat goed voor te bereiden, voert u de stoomcyclus 90 seconden uit door de onderstaande stappen te volgen:

1. Vul het waterreservoir tussen de niveaus "MIN" en "MAX".
 2. Vul de melktank met water tussen de niveaus "MIN" en "MAX".
 3. Kies een van de filters en plaats deze in de filterhouder. Plaats de filterhouder in het apparaat en zorg ervoor dat deze goed vergrendeld is en plaats er een kopje onder. Zorg er ook voor dat de punt van het stoompijpe zich in de mok bevindt.
 4. Sluit het apparaat aan op een geschikt stopcontact.
 5. Draai de schakelaar naar de "I" -stand.
 6. Alle zes lampjes op het bedieningspaneel beginnen te knipperen. Zodra deze lampjes continu branden, drukt u tweemaal op de cappuccino-knop.
 7. Zodra dit proces is voltooid, gaan alle zes lampjes op het bedieningspaneel continu branden.
- Op deze manier is je koffiezetapparaat al voorbereid en klaar voor gebruik.

KIES DE JUISTE MOK

Zorg ervoor dat u, voordat u uw drankje klaarmaakt, de juiste kopmaat uit onderstaande tabel kiest:

TYPE DRANKRELATIE		
Koffie express	Een kopje ☕	60 ml
	Dubbele ☕	119 ml
Cappuccino	Een kopje ☕	178 ml
	Dubbele ☕	355 ml
Koffie met melk	Een kopje ☕	296 ml
	Dubbele ☕	474 ml

KIES DE JUISTE KOFFIE

• De koffie:

De koffie moet versgemalen en donker gebrand zijn. Misschien wilt u een Franse of Italiaanse gebraden grond proberen voor de espresso. Voorgemalen koffie behoudt zijn smaak slechts ongeveer 7 tot 8 dagen, zolang het in een luchtdichte verpakking en op een koele, donkere plaats wordt bewaard. Bewaar het niet in de koelkast of vriezer. Het wordt aanbevolen om vlak voor gebruik hele granen te malen. Koffiebonen die in een luchtdichte verpakking worden bewaard, behouden hun smaak tot 4 weken.

• De maling:

Dit is een essentiële stap in het proces van het maken van espresso als u uw eigen koffie wilt malen en het vergt oefening. De koffie moet fijngemalen zijn.

De juiste maling moet op zout lijken. Als de maling te fijn is, zal het water zelfs onder druk niet door de koffie stromen. Deze maling ziet eruit als poeder en voelt aan als bloem als je ze tussen je vingers wrijft. Als de maling te grof is, stroomt het water te snel door de koffie, waardoor smaakextractie wordt voorkomen.

Zorg ervoor dat u een kwaliteitsmolen gebruikt om een uniforme consistentie te verkrijgen.

KOFFIE DRANKJES

• Koffie Express:

Een unieke koffiemethode waarbij heet water door de fijngemalen koffie stroomt. Populair in Europa, het is een veel rijkere en vollere drank dan gewone dripkoffie. Vanwege zijn rijkdom wordt espresso over het algemeen geserveerd in kopjes van 44-59 ml.

• Cappuccino:

Een drankje gemaakt met ongeveer 1/3 espresso, 1/3 warme melk en 1/3 melkschuim.

• Koffie met melk:

Een drankje gemaakt met ongeveer 1/4 espresso en 3/4 hete melk.

GEBRUIKSAANWIJZING

• Het waterreservoir vullen:

1. Vul het waterreservoir. U kunt een kan gebruiken om hem te vullen of hem uit het apparaat halen en vervolgens onder de kraan vullen. Als u het uit het apparaat heeft gehaald om het met water te vullen, zorg er dan voor dat u het stevig terug op zijn plaats klikt. Vul het reservoir met de gewenste hoeveelheid water en zorg ervoor dat het binnen de markeringen "MIN" en "MAX" valt. Gebruik nooit warm of heet water om het waterreservoir te vullen.
2. Sluit het deksel van het waterreservoir en plaats het terug op het apparaat, zorg ervoor dat het goed past.

• De melktank vullen:

1. Als je een cappuccino of koffie met melk wilt zetten, verwijder dan het melkreservoir van het apparaat. Open het deksel en giet de hoeveelheid koude melk in die u nodig denkt te hebben tussen de niveaus "MIN" en "MAX".
2. Als u klaar bent, plaatst u de melkcontainer terug in het apparaat en zorgt u ervoor dat deze stevig vastzit.

Notitie: U kunt het type melk gebruiken dat u verkiest, dat wil zeggen volle melk, magere melk, biologische melk of sojamelk.

• Filterkeuze:

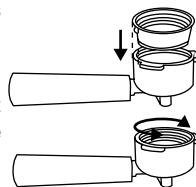
Selecteer het filter dat u wilt gebruiken, afhankelijk van de volgende kenmerken:

1. Voor een enkele kop: Gebruik het filter voor een enkele kop espresso als je gemalen koffie gebruikt.
2. Voor een dubbele kop of twee kopjes: Gebruik het filter voor een dubbele kop.

NOTITIE: Het filter met 1 kopje dat bij uw apparaat wordt geleverd, is ook ontworpen om te werken met ESE-capsules (45 mm).

• Filter plaatsen:

1. Om het geselecteerde filter in de filterhouder te plaatsen, moet u de inkeping op het filter uitlijnen met de binnenste sleuf op de filterhouder.
2. Draai het filter naar links of rechts om het op zijn plaats te vergrendelen. Dit zal helpen om het filter in de filterhouder te bevestigen.



NOTITIE: Om het filter te verwijderen en te reinigen, draait u het filter naar links of rechts om de inkeping in het filter uit te lijnen met de binnenste groef in de filterhouder.

WAARSCHUWING: Zorg ervoor dat het filter is afgekoeld voordat u het probeert te verwijderen.

• **Vul het filter met koffie:**

Plaats het geselecteerde filter als volgt in de filterhouder:

1. Vul het filter met versgemalen fijne espresso (niet te vol).

Notitie: De hoeveelheid gemalen koffie mag de markering "MAX" niet overschrijden.

2. Druk de gemalen koffie stevig en gelijkmatig aan.

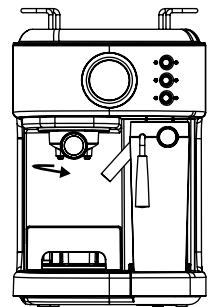
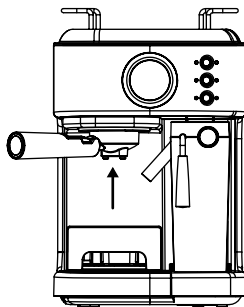
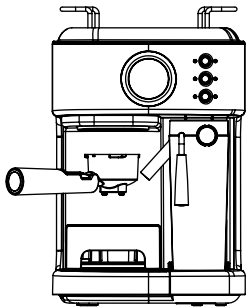
3. Veeg overtollige koffie van de rand af om ervoor te zorgen dat deze goed in de zetkop past.

• **De filterhouder monteren:**

1. Plaats de filterhouder onder de zetkop. Verplaats eerst de borgclip terug.

2. Plaats de filterhouderhandgreep zo dat deze is uitgelijnd met het open slotpictogram op de unit en in de sleuf klikt.

3. Draai het vervolgens langzaam met de klok mee tot de borgklem op één lijn staat met het gesloten hangslotsymbool op het apparaat.

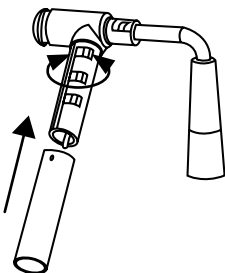
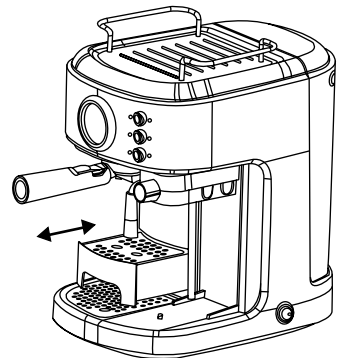


• **Plaatsing van de beker (s):**

• Verwijder de lekbakhouder als u een klein espressokopje gebruikt.

• Bewaar de lekbakhouder in het vak als u een grotere kop gebruikt voor het maken van cappuccino.

• Bewaar de lekbakhouder in het vak als u een grotere kop gebruikt om latte te maken.



VOORZICHTIGHEID: Zorg ervoor dat u bij het bereiden van cappuccino of latte de hendel op het stoompijpe verinstelt om het in het te gebruiken kopje te plaatsen. Bovendien kunt u de lengte van het stoompijpe ook aanpassen door het in een andere stand van de hendel te vergrendelen voor verschillende maten kopjes. En u kunt het schoonmaken door het naar buiten te draaien en vervolgens te repareren.

• **Schakel het apparaat in:**

4. Zorg ervoor dat het apparaat is aangesloten.

5. Zet het apparaat aan in de "I" -stand. Alle zes lampjes op het bedieningspaneel beginnen te knipperen tijdens het verwarmen en totdat het water de perfecte temperatuur heeft bereikt. Zodra alle zes de lampjes branden, is het apparaat klaar voor gebruik.

Notitie: Het stoompijpje is erg heet, wees voorzichtig.

SELECTEER FUNCTIE

• **Espresso:**

1. Druk eenmaal op de koffieknop (☐ brandt) om een kopje koffie te zetten.

2. Druk tweemaal op de koffieknop (☐ brandt) om een dubbele kop koffie te zetten.

3. Houd de koffieknop 3 seconden ingedrukt (☐☐ tegelijkertijd branden) om een grote kop koffie te zetten. Als u de gewenste hoeveelheid koffie heeft, kunt u op een willekeurige knop drukken om deze functie te stoppen.

• Het apparaat kan espresso zetten zoals je wilt en het kan automatisch stoppen. Wanneer ☐☐ ze blijven stevig branden, dit betekent dat u klaar bent met de bereiding en dat u kunt genieten van uw espresso.

Waarschuwing: Als de koffie klaar is met zetten, verwijder het filter dan niet meteen, maar wacht 10 seconden of zo.

• **Cappuccino:**

Voordat u een cappuccino gaat bereiden, draait u de schuimregelknop naar de middelste stand, u kunt de hoeveelheid melkschuim aanpassen aan uw voorkeur door de schuimregelknop met de klok mee te draaien voor meer schuim en tegen de klok in voor minder schuim.

Notitie: De intensiteit van het schuim kan tijdens de zetcyclus worden aangepast.

1. Druk eenmaal op de cappuccino-knop om een klein kopje cappuccino te zetten.

2. Druk twee keer op de cappuccinoknop om een grote kop cappuccino te zetten.

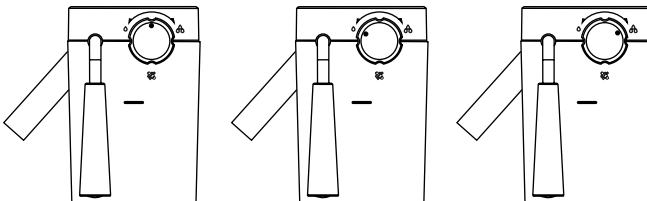
Het apparaat begint de cappuccino te bereiden op basis van uw selectie. Daarna is uw heerlijke cappuccino klaar om van te genieten.

• **Koffie met melk:**

Pas voordat je je latte gaat maken de hoeveelheid melkschuim naar wens aan door de schuimregelknop met de klok mee te draaien voor meer schuim en tegen de klok in voor minder schuim.

1. Druk eenmaal op de latte-knop om een klein kopje latte te zetten.

2. Druk twee keer op de latte-knop om een grote kop latte te zetten.



• Melkschuim:

Met het apparaat kunt u ook alleen melkschuim bereiden.

1. Houd de knop voor cappuccino 3 seconden ingedrukt als je meer schuim aan je drankje wilt toevoegen of melkschuim wilt maken voor een andere drank, bijvoorbeeld koffie macchiato, warme chocolademelk, thee met melk, etc.
 2. Als u klaar bent, drukt u nog een keer op de cappuccino-knop om deze te stoppen.
- Na het maken van uw drankjes met melk: Als u klaar bent met het bereiden van uw melkdrink, kunt u het melkreservoir van het apparaat direct in de koelkast bewaren (klaar voor de volgende keer) of overtollige melk weggooien.
 - Als er binnen 15 minuten geen actie wordt ondernomen, gaat het apparaat in de slaapstand. U kunt op een willekeurige knop drukken om het apparaat weer uit de slaapstand te halen.

REINIGING EN ONDERHOUD

Lees ALLE instructies, voorzorgsmaatregelen, opmerkingen en waarschuwingen in deze handleiding zorgvuldig door voordat u deze brewer gebruikt. Bij gebruik van dit apparaat worden sommige onderdelen en accessoires heet en moeten ze afkoelen. De juiste zorg en onderhoud zorgen voor een lange levensduur van uw espresso-, cappuccino- en latte-machine en voor een probleemloze werking. Bewaar deze instructies en raadpleeg ze regelmatig voor tips voor reiniging en onderhoud.

CORRECT GEBRUIK VAN GEMALEN KOFFIE VOOR ESPRESSOMACHINES

Gebruik geen met suiker gebrande gemalen koffie of met suiker gebrande koffiebonen, aangezien deze het filter verstoppen en het apparaat beschadigen. Als u per ongeluk gebrande koffie met suiker gebruikt, gebruik het apparaat dan niet meer en breng het voor onderhoud naar het dichtstbijzijnde servicecentrum. We raden aan om de machine regelmatig te ontkalken om hem in goede staat te houden. Neem contact op met onze servicecentra voor meer informatie over dit proces.

ONTKALKT

Met de melkcontainer op zijn plaats herinnert het apparaat de gebruiker eraan om te ontkalken door de zes indicatielampjes afwisselend snel te laten knipperen. Op dat moment moet de gebruiker het waterreservoir vullen met 600 ml schoon water en een specifiek ontkalkingsproduct. Druk vervolgens tegelijkertijd op de knoppen voor espresso en latte zodat het apparaat automatisch begint te ontkalken.

Alle zes indicatoren zullen afwisselend langzaam knipperen. Na ongeveer een half uur te hebben gewerkt, knipperen alle zes indicatielampjes weer snel afwisselend, waarna de gebruiker het waterreservoir moet legen en opnieuw moet vullen met 600 ml schoon water.

Druk nogmaals tegelijkertijd op de knoppen voor espresso en koffie met melk en het apparaat gaat verder met ontkalken. De zes indicatielampjes zullen afwisselend langzaam knipperen en na ongeveer een half uur te hebben gewerkt, stopt het apparaat en keert het terug naar stand-by.

NOTITIE:

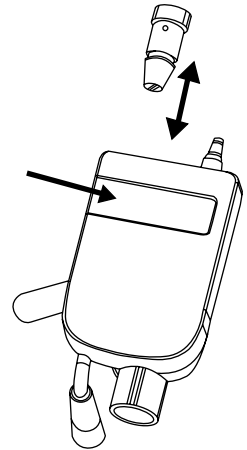
- U kunt op een willekeurige functieknoop drukken om de overeenkomstige functie uit te voeren terwijl het apparaat u eraan herinnert om te ontkalken. En het apparaat zal u eraan blijven herinneren om het ontkalken uit te voeren na het beëindigen van de bijbehorende functie.

- Het ontkalkingsproces kan op elk moment worden gestopt door op een willekeurige knop te drukken, waarna het apparaat de gebruiker eraan blijft herinneren om te ontkalken. Het koffiezetapparaat gaat pas in de normale stand-bymodus nadat het volledige ontkalkingsproces is voltooid.

REINIGING VAN DE MELKTANK EN HET STOOMPIJPJE

Hoewel u het melkreservoir met de overgebleven melk in de koelkast kunt bewaren, is het belangrijk om het melkreservoir en het stoompijpje regelmatig schoon te maken om verstopping en residuvorming te voorkomen. Volg de onderstaande instructies om het melkreservoir te reinigen:

1. Verwijder het melkreservoir uit het apparaat.
2. Verwijder de dop van het reservoir.
3. De aansluiting van het stoompijpje kan worden losgekoppeld door eraan te draaien. Je kunt hem schoonmaken met kraanwater. Na het reinigen bevestigt u deze op de dop van het melkreservoir door deze opnieuw te draaien.
4. Bij het schoonmaken van het melkreservoir kunt u het siliconen lipje openen (niet verwijderen) en afwassen met kraanwater. Plaats na het reinigen het siliconen lipje terug.
5. Giet de resterende melk erbij en spoel de melkcontainer en het deksel grondig af met warm zeepsop. Goed afspoelen en afdrogen. Gebruik geen schuurmiddelen of schuursponsjes, omdat deze de afwerking bekrassen. De melktank kan ook in de vaatwasser worden gewassen (in de bovenste bak). Plaats het deksel van het melkreservoir niet in de vaatwasser.
6. Plaats een grote lege mok onder het stoompijpje.
7. Draai de schuimregelknop rechtersom naar de reinigungsstand, houd vervolgens de latte / clean-knop 3 seconden ingedrukt en laat deze los om de reinigungsfunctie te activeren. Het apparaat begint stoom af te geven via het stoompijpje, laat het een paar seconden lopen totdat je geen melk in het kopje ziet. Als u klaar bent, drukt u eenmaal op de latte / clean-knop om het proces te stoppen.
8. Gooi het resterende water in het melkreservoir weg en plaats het terug in het apparaat.



Notitie: Om het melkreservoir te demonteren, moet u het een stukje optillen en vervolgens verwijderen.

VOORBEREIDINGSKOP, FILTERHOUDER EN FILTER REINIGEN

1. Schakel de aan / uit-knop aan de zijkant van het apparaat in de "0" -stand en haal de stekker uit het stopcontact.
2. Sommige metalen onderdelen kunnen nog heet zijn. Raak ze pas met uw handen aan als ze zijn afgekoeld.
3. Verwijder de filterhouder en gooi het koffiedik of de gebruikte capsule weg. Was zowel de filterhouder als het filter in warm zeepsop en spoel ze grondig af. Was de filterhouder of filters niet in de vaatwasser.
4. Veeg de onderkant van de zetkop van het apparaat schoon met een vochtige doek of papieren servet om eventuele koffieresten te verwijderen.
5. Plaats de filterhouder (zonder filter) terug in de zetkop van het apparaat.
6. Plaats een grote lege beker onder de filterhouder.
7. Druk eenmaal op de espressoknop en laat het apparaat alleen met water brouwen totdat het automatisch stopt.

HET WATERRESERVOIR SCHOONMAKEN

Gooi het resterende water weg door het reservoir te verwijderen en boven de gootsteen te draaien. Het wordt aanbevolen om de watertank tussendoor te legen. Was het waterreservoir met zeepachtig water, spoel het goed af en droog het af. Het waterreservoir is ook vaatwasmachinebestendig.

HET APPARAAT SCHOONMAKEN

1. Maak de behuizing schoon met een zachte, vochtige doek. Gebruik geen schuurmiddelen of schuursponsjes, omdat deze de afwerking bekrassen.
2. Bewaar de filterhouder niet in de bereidingskop. Dit kan de afdichting tussen de zetkop en de filterhouder tijdens het zetten van de espresso negatief beïnvloeden.

Voorzichtigheid: Dompel het apparaat niet onder in water.

ONTKALKEN VAN HET APPARAAT

Opgehoopte minerale afzettingen in het apparaat zullen de werking van het apparaat beïnvloeden. Uw apparaat moet worden ontkalkt wanneer u merkt dat de tijd die nodig is om espresso te zetten langer wordt of wanneer er teveel stoom is. U kunt ook een opeenhoping van witte afzettingen op het oppervlak van de voorbereidingskop opmerken.

De reinigingsfrequentie is afhankelijk van de hardheid van het gebruikte water. Als u zacht water (gefilterd water) gebruikt, moet de reinigingsfrequentie elke 80 zetbeurten zijn; Als u hard water (kraanwater) gebruikt, moet de reinigingsfrequentie elke 40 zetbeurten zijn.

• Ontkalken van het waterreservoir:

1. Vul het reservoir met onverdunde witte huishoudazijn.
2. Laat het apparaat een nacht staan met de azijnoplossing in het waterreservoir.
3. Gooi de azijn weg door het reservoir te verwijderen en het ondersteboven boven de gootsteen te draaien.
4. Spoel het waterreservoir goed uit met kraanwater door het voor de helft met water te vullen en het water dan weer in de gootsteen te gieten, waarbij je deze stap twee keer herhaalt.

• Ontkalken van interne onderdelen:

1. Zorg ervoor dat u eerst de binnenkant van het waterreservoir ontkalkt door de bovenstaande stappen voor "Ontkalken" te volgen.
2. Zorg ervoor dat u de aan / uit-knop in de "O" -stand zet en dat het netsnoer uit het stopcontact is gehaald. Vul het reservoir met witte azijn tot boven het minimumniveau.
3. Plaats de filterhouder (met filter en zonder koffie) en plaats een gewone kan of beker op de lekbak en onder de filterhouder.
4. Steek de stekker in het stopcontact.
5. Druk op de aan / uit-knop om het apparaat op "I" te zetten. Zodra alle zes lampjes op het bedieningspaneel blauw worden, drukt u tweemaal op de express-knop. De azijn gaat door het apparaat stromen en stopt automatisch.
6. Plaats een grote kom of beker (met een inhoud van minimaal 325 ml) onder de tuit. Vul de melktank met water en plaats deze terug in het apparaat. Draai de schuimregelknop rechtsom naar de reinigingsstand en houd vervolgens de latte-knop 3 seconden ingedrukt om de reinigingsfunctie te activeren. Laat het apparaat het water ongeveer 30 seconden door het mondstuk afgeven en druk vervolgens eenmaal op de dubbele latte-knop om het proces te stoppen.
7. Herhaal stap 1 tot en met 6 indien nodig met gewoon kraanwater om de resterende azijn uit de machine te spoelen.

• **Handmatige ontkalkingsmodus:**

Nadat het apparaat 500 cycli heeft gedraaid, gaat het in een ontkalkingsalarm. De indicatielampjes cappuccino en latte knipperen achtereenvolgens. Als het niet op tijd wordt ontkalkt, kan het interne voorbereidingssysteem verstopt raken.

Notitie: Als u wilt ontkalken vóór 500 cycli, kunt u handmatig ontkalken door de onderstaande stappen te volgen:

1. Zorg ervoor dat de stroomschakelaar in de "O" -stand staat en dat het netsnoer is losgekoppeld. Giet 400 ml witte azijn en 600 ml water in het waterreservoir. Monteer het melkreservoir op het apparaat, draai de schuimregelknop rechtsom naar de reinigingspositie.
2. Druk de aan / uit-schakelaar in de "I" -stand, de cappuccino- en latte-indicator zullen achtereenvolgens knipperen. Druk tegelijkertijd op de espresso- en latte-knop, het apparaat start automatisch de ontkalkingsmodus. De 6 indicatielampjes knipperen met de klok mee, het stoompijpje produceert heet water en stoom. Na 10 minuten gaat het apparaat in de stand-bymodus en gaan alle 6 indicatielampjes branden.
3. Gooi de resterende ontkalkingsoplossing weg en maak het waterreservoir schoon, vul de juiste hoeveelheid schoon water bij, zet twee kopjes espresso achter elkaar en zet dan twee kopjes latte achter elkaar. Het reinigen is voltooid en alle 6 indicatielampjes gaan branden. Het apparaat keert terug naar de stand-bymodus en nadat het apparaat weer 500 cycli heeft gedraaid, onthoudt het apparaat de ontkalking opnieuw.

Notitie: In de ontkalkingsherinneringstoestand kunt u het apparaat nog steeds normaal gebruiken, en na gebruik keert het terug naar de ontkalkingsherinnering.

PROBLEEMOPLOSSING

KWESTIE	OORZAAK	OPLOSSING
De koffie komt niet naar buiten.	<ol style="list-style-type: none"> 1. Er zit geen water in de tank. 2. De gemalen koffie is te fijn. 3. Te veel koffie in het filter. 4. Het apparaat was niet ingeschakeld of de stekker was niet in het stopcontact gestoken. 5. De koffie is te veel geperst / gecompriemd. 	<ol style="list-style-type: none"> 1. Voeg water toe 2. Maal halfgemalen koffie. 3. Vul het filter met minder koffie. 4. Sluit het apparaat aan op een stopcontact en schakel het in. 5. Vul het filter opnieuw met koffie, druk er niet te veel op.
De koffie komt uit de rand van de filterhouder.	<ol style="list-style-type: none"> 1. De filterhouder is niet volledig vergrendeld. 2. Gemalen koffie langs de rand van het filter. 3. Te veel koffie in het filter. 	<ol style="list-style-type: none"> 1. Draai de filterhouder naar de volledig vergrendelde positie. 2. Maak de rand schoon. 3. Vul met minder koffie.
De melk is na het opschuimen niet schuimig of komt niet uit het stoompijpje.	<ol style="list-style-type: none"> 1. Liep uit stoom. 2. De melk is niet koud genoeg. 3. Het stoompijpje is verstopt. 	<ol style="list-style-type: none"> 1. Zorg ervoor dat er voldoende water in de tank zit. 2. Koel de melk en het opschuimkannetje voordat u de cappuccino zet. 3. Volg de instructies om de melktanks en het stoompijpje te reinigen.
De koffie komt te snel naar buiten.	<ol style="list-style-type: none"> 1. De gemalen koffie is te dik. 2. Er zit niet genoeg koffie in het filter. 	<ol style="list-style-type: none"> 1. Gebruik een fijnere maling. 2. Gebruik meer koffie.
De koffie is te zwak.	<ol style="list-style-type: none"> 1. Je gebruikt het kleine filter voor dubbele espresso. 2. De gemalen koffie is te dik. 	<ol style="list-style-type: none"> 1. Gebruik een groot filter voor dubbele espresso. 2. Gebruik een fijnere maling.
De drie lampjes op het bedieningspaneel knipperen afwisselend.	Het waterreservoir is leeg.	Voeg water toe aan het reservoir.



In overeenstemming met de richtlijnen: 2012/19 / EU en 2015/863 / EU betreffende de beperking van het gebruik van gevaarlijke stoffen in elektrische en elektronische apparatuur, evenals hun afvalverwerking. Het symbool met de gekruiste vuilnisbak op de verpakking geeft aan dat het product aan het einde van zijn levensduur als gescheiden afval wordt ingezameld. Daarom moet elk product dat het einde van zijn levensduur heeft bereikt, worden afgeleverd bij gespecialiseerde afvalverwijderingscentra voor de selectieve inzameling van afgedankte elektrische en elektronische apparatuur, of bij de aankoop van soortgelijke nieuwe apparatuur in één keer aan de detailhandelaar worden geretourneerd. Voor één basis. Een juiste gescheiden inzameling voor latere inbedrijfstelling van apparatuur die wordt verzonden om te worden gerecycled, behandeld en op milieuvriendelijke wijze afgevoerd, helpt mogelijke negatieve effecten op het milieu en de gezondheid te voorkomen en optimaliseert recycling en hergebruik van de componenten waaruit het apparaat bestaat. De onrechtmatige eliminatie van het product door de gebruiker impliceert de toepassing van administratieve sancties in overeenstemming met de wetten.

Dziękujemy za wybranie naszego ekspresu do kawy. Przed rozpoczęciem korzystania z tego urządzenia i aby zapewnić jego najlepsze wykorzystanie, należy uważnie przeczytać instrukcję.

Wymienione tutaj środki bezpieczeństwa zmniejszają ryzyko pożaru, porażenia prądem elektrycznym i obrażeń, jeśli są właściwie przestrzegane. Instrukcję należy przechowywać w bezpiecznym miejscu do wykorzystania w przyszłości, jak również gwarancję, dowód zakupu i opakowanie. Jeśli ma to zastosowanie, należy przekazać tę instrukcję przyszłemu właścicielowi urządzenia. Podczas korzystania z urządzenia elektrycznego należy zawsze przestrzegać podstawowych instrukcji bezpieczeństwa i środków zapobiegających ryzyku. Producent nie ponosi odpowiedzialności za jakiegokolwiek szkody wynikające z nieprzestrzegania niniejszej instrukcji przez użytkownika.

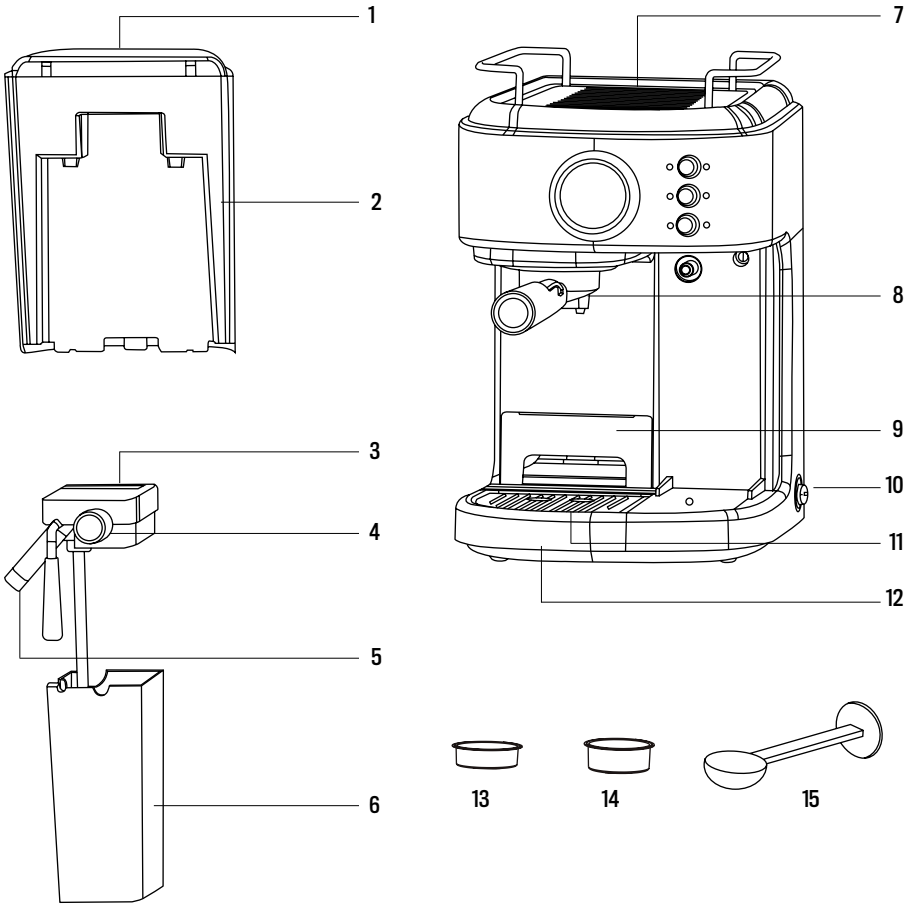
OSTRZEŻENIA DOTYCZĄCE BEZPIECZEŃSTWA

Korzystanie z urządzeń elektrycznych wymaga podstawowych środków ostrożności. Przeczytaj uważnie wszystkie instrukcje.

- Przeczytaj wszystkie instrukcje i zachowaj je na przyszłość.
- Upewnij się, że napięcie w gniazdku elektrycznym odpowiada napięciu wskazanemu na tabliczce znamionowej ekspresu do kawy.
- Aby uchronić się przed pożarem, porażeniem prądem elektrycznym i obrażeniami osób, nie zanurzaj przewodu, wtyczki ani urządzenia w wodzie lub innym płynie.
- Jeśli urządzenie jest używane przez dzieci lub w ich pobliżu, konieczny jest ścisły nadzór.
- Odłącz zaparzacz od gniazdka elektrycznego, gdy nie jest używany i przed czyszczeniem. Pozostaw do ostygnięcia przed założeniem lub zdjęciem części i przed czyszczeniem.
- Nie używaj żadnego urządzenia z uszkodzonym przewodem lub wtyczką lub po uszkodzeniu. Zwróć urządzenie do autoryzowanego serwisu w celu sprawdzenia, naprawy lub regulacji.
- Stosowanie akcesoriów niezalecanych przez producenta ekspresu do kawy może spowodować pożar, porażenie prądem lub obrażenia osób.
- Aby odłączyć, obróć dowolny element sterujący do pozycji wyłączenia, a następnie wyjmij wtyczkę z gniazdka.
- Nie dotykaj żadnej gorącej powierzchni, używaj dostarczonych uchwytów lub pokręteł.
- Nie używaj go na zewnątrz ani do celów komercyjnych.
- Nie pozwól, aby przewód zwisał z krawędzi stołu lub blatu ani dotykał gorącej powierzchni.
- Używaj tylko na płaskiej, twardej powierzchni, aby uniknąć przerwania przepływu powietrza pod urządzeniem.
- Przed włączeniem zaparzacza zawsze upewnij się, że zbiornik na wodę jest stabilnie umieszczony w urządzeniu z zamkniętą pokrywą i napełnij go wodą powyżej minimum.
- Nie wyjmuj kolby podczas przygotowywania kawy. Przed wyjęciem dźwigni, aby zaparzyć więcej kawy, upewnij się, że wszystkie trzy kontrolki są włączone. Należy również zachować ostrożność podczas wyjmowania kolby, ponieważ metalowe części będą gorące. Pamiętaj, aby trzymać go za

- uchwyt i użyć zacisku mocującego filtr, aby usunąć fusy. Należy zachować ostrożność podczas przenoszenia urządzenia z gorącymi płynami.
- Nie wyjmuj zbiornika na wodę, dopóki urządzenie nie zostanie wyłączone.
 - To urządzenie nie jest przeznaczone do korzystania z zewnętrznego timera lub oddzielnego systemu zdalnego sterowania.
 - Urządzenie może być używane przez dzieci od 8 roku życia i osoby o ograniczonych zdolnościach fizycznych, sensorycznych lub umysłowych lub bez doświadczenia i wiedzy, jeśli są one pod nadzorem lub zostały poinstruowane, jak bezpiecznie używać urządzenia i rozumieją związane z tym niebezpieczeństwa. Dzieci nie mogą bawić się urządzeniem. Dzieci nie powinny wykonywać czyszczenia i konserwacji przez użytkownika, chyba że mają powyżej 8 lat i są nadzorowane.
 - Przechowuj urządzenie i jego przewód poza zasięgiem dzieci poniżej 8 roku życia.
 - Przed wyjęciem jakichkolwiek części i akcesoriów upewnij się, że wszystkie trzy kontrolki są włączone, ustaw przycisk zasilania w pozycji wyłączonej „O” i odłącz urządzenie.
 - Nie wyjmuj kolby na żadnym etapie przygotowania.
 - Zachowaj ostrożność podczas wyjmowania uchwyty filtra. Części metalowe mogą być nadal bardzo gorące. Ponadto na gorze filtra może unosić się gorąca woda. Trzymaj go wyłącznie za uchwyt i wyrzuć fusy z kawy za pomocą zacisku mocującego filtr.
 - Jeśli kawa nie kapie, filtr jest zatkany. Wyłącz urządzenie i pozwól mu ostygnąć. Zablokowanie może być spowodowane zbyt drobnym zmieleniem kawy. Zobacz sekcję „Rozwiązywanie problemów”.
 - Wyczyść dyszę parową: Podstaw dużą filiżankę pod rurkę. Napełnij zbiornik na mleko wodą i włóż go z powrotem do urządzenia. Obróć pokrętko regulacji pianki w prawo do pozycji czyszczenia, a następnie naciśnij i przytrzymaj przycisk latte / clean przez 3 sekundy i zwolnij, aby aktywować funkcję czyszczenia. Pozwól urządzeniu wylewać wodę przez dyszę przez około 30 sekund, a następnie naciśnij raz przycisk latte / clean, aby zatrzymać proces.
 - Nie umieszczaj na lub w pobliżu gorącego palnika gazowego lub elektrycznego ani w gorącym piekarniku.
 - Nie używaj ekspresu do kawy do innych celów niż wskazane.
 - Nie zostawiaj ekspresu do kawy bez nadzoru.
 - To urządzenie jest przeznaczone do użytku w instalacjach domowych i podobnych, takich jak: kuchnie dla personelu w sklepach, biurach i innych miejscach pracy; wiejskie domy; przez klientów w hotelach, motelach i innych miejscach o charakterze mieszkalnym; i zakwaterowanie typu "bed and breakfast".
 - Nigdy nie zanurzaj urządzenia w wodzie ani innych płynach. Istnieje niebezpieczeństwo porażenia prądem.
 - Ciśnienie: Aby uniknąć ewentualnych oparzeń części ciała lub innych obrażeń spowodowanych parą i gorącą wodą lub uszkodzenia urządzenia, nigdy nie wyjmuj zbiornika na wodę ani uchwyty filtra, gdy ekspres parzy kawę lub spienia mleko. Przed wyjęciem dźwigni w celu zaparzenia dodatkowych filiżanek kawy upewnij się, że wszystkie trzy lampki świecą. Jeśli chcesz dodać więcej wody lub mleka do zbiorników, upewnij się, że wszystkie trzy lampki są włączone i wyłącz urządzenie, naciskając czerwony przycisk z boku urządzenia do pozycji „O” wyłączonej.

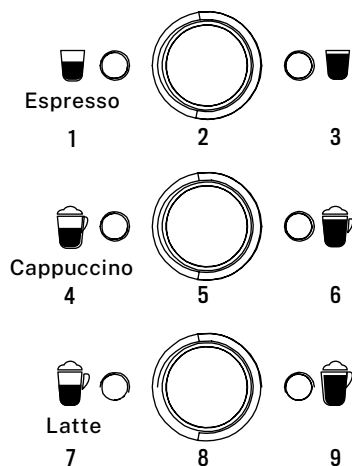
LISTA CZĘŚCI



1. Korek zbiornika wody
2. Zbiornik wodny
3. Korek zbiornika na mleko
4. Pokrętko sterujące
5. Dysza parowa
6. Zbiornik na mleko
7. Dekoracja górnego pokładu

8. Podstawka pod małe filiżanki
9. Uchwyt na tackę ociekową
10. przełącznik
11. Płyta ściekowa
12. Taca ociekowa
13. Filtruj na 1 filiżankę
14. Filtruj na 2 filiżanki
15. Miarka do kawy i dociskacz

PANEL STEROWANIA



1. Mała filiżanka i ręczna lampka do kawy
2. Przycisk parzenia ręcznego
3. Duży kubek kawy i ręczna lampka do kawy
4. Mała filiżanka cappuccino i lekka pianka mleczna
5. Przycisk pianki mlecznej
6. Duży kubek cappuccino i lekka pianka mleczna
7. Mała filiżanka kawy z mlekiem i lampką do czyszczenia
8. Przycisk czyszczenia
9. Duży kubek kawy latte i lampka do czyszczenia

PRZED PIERWSZYM UŻYCIEM

- Wyczyść i przygotuj urządzenie przed pierwszym użyciem.
- Zapoznaj się z sekcją „Lista części”, aby zapoznać się z produktem i zidentyfikować wszystkie części.
- Upewnij się, że urządzenie jest wyłączone w pozycji „0”, naciskając przełącznik znajdujący się z boku urządzenia. Upewnij się, że jest odłączony od gniazdka.
- Usuń naklejki i etykiety z urządzenia.
- Najpierw wyjmij, a następnie umyj zbiornik na wodę, zbiornik na mleko, dwa filtry, uchwyt filtra i miarkę do kawy w mieszaninie łagodnego detergentu i wody. Wypłucz dobrze i włóż z powrotem do urządzenia.
- Przed włożeniem lub wyjęciem uchwytu filtra i filtra z urządzenia należy zapoznać się z instrukcjami zawartymi w części „Wkładanie filtra”.
- Aby wyczyścić wnętrze urządzenia, postępuj zgodnie z instrukcjami podanymi w rozdziałach dotyczących czyszczenia, używając wody w obu zbiornikach i bez kawy w filtrze. Nie zanurzaj urządzenia w wodzie ani nie próbuj dostać się do jego wewnętrznych części.
- **WAŻNE:** Przed użyciem tego produktu pamiętaj o usunięciu elementu ochronnego znajdującego się na dnie zbiornika wody, zgodnie z naklejką informacyjną.

UWAGA: Aby Twój ekspres do kawy działał prawidłowo, czyść go po każdym użyciu.

Aby prawidłowo przygotować ekspres do kawy, uruchom cykl parowy na 90 sekund, wykonując następujące czynności:

1. Napełnij zbiornik na wodę między poziomami „MIN” i „MAKS”.
 2. Napełnij pojemnik na mleko wodą między poziomami „MIN” i „MAKS”.
 3. Wybierz jeden z filtrów i umieść go w uchwycie filtra. Umieść uchwyt filtra w urządzeniu, upewniając się, że jest prawidłowo zablokowany i umieść pod nim kubek. Upewnij się również, że końcówka dyszy pary znajduje się wewnątrz kubka.
 4. Podłącz urządzenie do odpowiedniego gniazdka.
 5. Ustaw przełącznik w pozycji „I”.
 6. Wszystkie sześć lampek na panelu sterowania zaczną migać. Gdy te kontrolki zaczną świecić, naciśnij dwukrotnie przycisk cappuccino.
 7. Po zakończeniu tego procesu wszystkie sześć lampek na panelu sterowania zaświeci się na stałe.
- W ten sposób Twój ekspres do kawy jest już przygotowany i gotowy do użycia.

WYBIERZ ODPOWIEDNI KUBEK

Przed przygotowaniem napoju upewnij się, że wybrałeś właściwy rozmiar filiżanki z poniższej tabeli:

RODZAJ STOSUNKU NAPOJU		
Ekspres do kawy	Puchar 	60 ml
	Podwójnie 	119 ml
Cappuccino	Puchar 	178 ml
	Podwójnie 	355 ml
Kawa z mlekiem	Puchar 	296 ml
	Podwójnie 	474 ml

WYBIERZ ODPOWIEDNIĄ KAWĘ

• Kawa:

Kawa powinna być świeżo zmielona i palona na ciemny kolor. Możesz spróbować francuskiej lub włoskiej palonej mielonej kawy do espresso. Kawa mielona zachowuje swój smak tylko przez około 7-8 dni, o ile jest przechowywana w szczelnym pojemniku w chłodnym, ciemnym miejscu. Nie przechowuj go w lodówce ani zamrażarce. Zaleca się zmielić całe ziarna tuż przed użyciem. Kawa ziarnista przechowywana w szczelnym pojemniku zachowa swój smak do 4 tygodni.

• Grind:

Jest to ważny krok w procesie parzenia espresso, jeśli chcesz zmielić własną kawę i wymaga praktyki. Kawa musi być drobno zmielona.

Prawidłowy mielenie powinno wyglądać jak sól.

Jeśli mielenie jest zbyt drobne, woda nie przepłynie przez kawę nawet pod ciśnieniem. Te zmielone ziarna wyglądają jak proszek i dają wrażenie mąki po wcieraniu między palcami.

Jeśli mielenie jest zbyt grube, woda przepływa przez kawę zbyt szybko, uniemożliwiając aromatyczną ekstrakcję.

Upewnij się, że używasz wysokiej jakości młynka, aby uzyskać jednolitą konsystencję.

NAPOJE KAWOWE

• Ekspres do kawy:

Unikalna metoda parzenia kawy, w której gorąca woda przepływa przez drobno zmieloną kawę. Popularna w Europie, jest dużo bogatszym i bardziej treściwym napojem niż zwykła kawa kroplowa. Ze względu na swoje bogactwo espresso zazwyczaj podaje się w filiżankach 44-59ml.

• Cappuccino:

Napój sporządzony z około 1/3 espresso, 1/3 gorącego mleka i 1/3 mlecznej pianki.

• Kawa z mlekiem:

Napój sporządzony z około 1/4 espresso i 3/4 gorącego mleka.

INSTRUKCJA UŻYCIA

• Napełnianie zbiornika na wodę:

1. Napełnij zbiornik na wodę. Możesz użyć dzbanka, aby go napełnić lub wyjąć go z urządzenia, a następnie napełnić pod bieżącą wodą. Jeśli wyjąłeś go z urządzenia, aby napełnić go wodą, pamiętaj, aby mocno zatrzaskać go z powrotem na miejscu. Napełnij zbiornik żądaną ilością wody, upewniając się, że mieści się w granicach „MIN” i „MAX”. Nigdy nie używaj ciepłej ani gorącej wody do napełniania zbiornika na wodę.
2. Zamknij pokrywę zbiornika na wodę i umieść go z powrotem na urządzeniu, upewniając się, że jest dobrze dopasowany.

• Napełnianie zbiornika na mleko:

1. Jeśli chcesz zrobić cappuccino lub kawę z mlekiem, wyjmij pojemnik na mleko z urządzenia. Otwórz pokrywkę i wlej taką ilość zimnego mleka, jaka Twoim zdaniem będzie potrzebna, między „MIN” a „MAKS”.
2. Po zakończeniu włóż pojemnik na mleko z powrotem do urządzenia, upewniając się, że jest dobrze dopasowany.

Uwaga: Możesz użyć preferowanego rodzaju mleka, czyli mleka pełnego, niskotłuszczowego, ekologicznego lub sojowego.

• Wybór filtra:

Wybierz filtr do użycia w zależności od następujących cech:

1. Na jedną filiżankę: Jeśli używasz kawy mielonej, użyj filtra na jedną filiżankę espresso.
2. Na podwójną filiżankę lub dwie filiżanki: Użyj filtra do podwójnej filiżanki.

UWAGA: Filtr na 1 filiżankę dołączony do urządzenia jest przeznaczony do pracy z kapsułkami ESE (45 mm).

• Wstaw filtr:

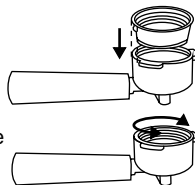
1. Aby włożyć wybrany filtr do uchwytu filtra, upewnij się, że wycięcie na filtrze jest wyrównane z wewnętrzną szczeliną w uchwycie filtra.
2. Obróć filtr w lewo lub w prawo, aby zablokować go na miejscu. Pomoże to zabezpieczyć filtr w uchwycie filtra.

UWAGA: Aby wyjąć i wyczyścić filtr, obróć go w lewo lub w prawo, aby wyrównać wycięcie w filtrze z wewnętrznym rowkiem w uchwycie filtra.

OSTRZEŻENIE: Przed wyjęciem filtra upewnij się, że ostygł.

• Napełnij filtr kawą:

Umieść wybrany filtr w uchwycie filtra w następujący sposób:



1. Napełnij filtr świeżo zmieloną drobną kawą (nie przepelniaj).

Uwaga: Ilość mielonej kawy nie może przekroczyć znaku „MAX”.

2. Mocno i równomiernie docisnąć zmieloną kawę.

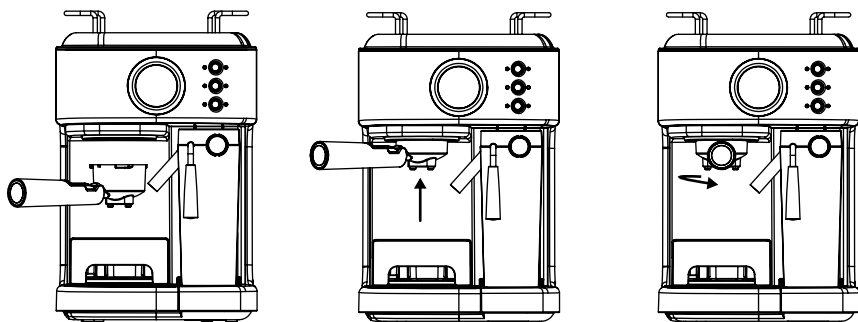
3. Zetrzyj nadmiar kawy z krawędzi, aby zapewnić prawidłowe dopasowanie do głowicy zaparzającej.

• **Montaż uchwytu filtra:**

1. Umieść uchwyt filtra pod głowicą zaparzającą. Najpierw cofnij zacisk mocujący.

2. Ustaw uchwyt uchwytu filtra tak, aby wyrównał się z ikoną otwartej kłódki na urządzeniu i zatrzasnął się w szczelinie.

3. Następnie powoli obracaj w prawo, aż zacisk ustalający zrówna się z symbolem zamkniętej kłódki na urządzeniu.

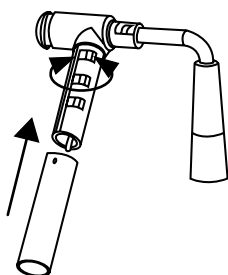
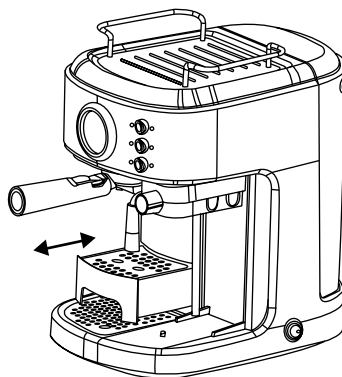


• **Umieszczenie kubka (-ek):**

• Jeśli używasz małej filiżanki do espresso, wyjmij tacę ociekową.

• Jeśli do przygotowania cappuccino używasz większej filiżanki, trzymaj tackę ociekową w komorze.

• Trzymaj tackę ociekową w jej komorze, jeśli używasz większej filiżanki do robienia latte.



UWAGA: Przygotowując cappuccino lub latte, wyreguluj dźwignię dyszy pary, aby umieścić ją w filiżance, która ma być używana. Ponadto można również regulować długość dyszy parowej, blokując ją w innym położeniu dźwigni, aby dopasować ją do różnych rozmiarów filiżanek. Możesz go wyczyścić, obracając go na zewnątrz, a następnie mocując.

• **Włącz urządzenie:**

4. Upewnij się, że urządzenie jest podłączone.
5. Włącz urządzenie do pozycji „I”. Wszystkie sześć lampek na panelu sterowania zacznie migać podczas podgrzewania, aż woda osiągnie idealną temperaturę. Gdy wszystkie sześć lampek zaświeci się, urządzenie jest gotowe do użycia.

Uwaga: Dysza parowa jest bardzo gorąca, uważaj.

WYBIERZ FUNKCJĘ

• **Espresso:**

1. Naciśnij raz przycisk kawy (☐ zapala się), aby przygotować filiżankę kawy.
2. Naciśnij dwukrotnie przycisk kawy (☐ zapala się), aby przygotować podwójną filiżankę kawy.
3. Naciśnij i przytrzymaj przycisk kawy przez 3 sekundy (☐☐ zapalają się w tym samym czasie), aby przygotować dużą filiżankę kawy. Kiedy ilość kawy jest taka, jak chcesz, możesz nacisnąć dowolny przycisk, aby zatrzymać tę funkcję.

• Urządzenie może parzyć espresso, jak chcesz i zatrzymuje się automatycznie. Gdy ☐☐ pozostają stałe, oznacza to, że skończyłeś przygotowywać i możesz cieszyć się espresso.

Ostrzeżenie: Po zakończeniu parzenia kawy nie wyjmuj od razu filtra, po prostu odczekaj około 10 sekund.

• **Cappuccino:**

Przed przygotowaniem cappuccino obróć pokrętko regulacji pianki do pozycji środkowej, możesz ustawić ilość pianki mlecznej zgodnie z własnymi preferencjami, obracając pokrętko regulacji piany w prawo, aby uzyskać więcej pianki, lub w lewo, aby zmniejszyć ilość pianki. piana.

Uwaga: Intensywność piany można regulować podczas cyklu parzenia.

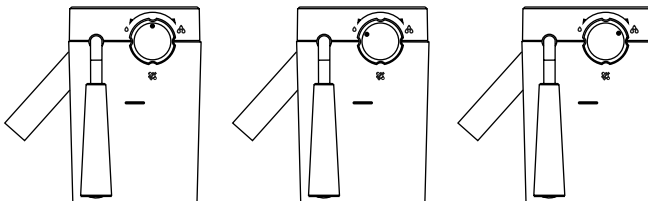
1. Naciśnij jeden raz przycisk cappuccino, aby przygotować małą filiżankę cappuccino.
2. Naciśnij dwukrotnie przycisk cappuccino, aby przygotować dużą filiżankę cappuccino.

Urządzenie rozpocznie przygotowywanie cappuccino na podstawie dokonanego wyboru. Następnie możesz cieszyć się pysznym cappuccino.

• **Kawa z mlekiem:**

Przed przygotowaniem latte dostosuj ilość pianki mlecznej do swoich preferencji, obracając pokrętko regulacji piany w prawo, aby uzyskać więcej piany, lub w lewo, aby uzyskać mniej piany.

1. Naciśnij raz przycisk latte, aby zaparzyć małą filiżankę latte.
2. Naciśnij dwukrotnie przycisk latte, aby zaparzyć dużą filiżankę latte.



- **Pianka mleczna:**

Urządzenie umożliwia również przygotowanie samej pianki mlecznej.

1. Naciśnij i przytrzymaj przycisk cappuccino przez 3 sekundy, jeśli chcesz dodać więcej piany do swojego napoju lub przygotować mleczną piankę do dowolnego innego napoju, na przykład kawy macchiato, gorącej czekolady, herbaty z mlekiem itp.
 2. Po zakończeniu naciśnij przycisk cappuccino jeszcze raz, aby go zatrzymać.
- Po przygotowaniu napojów z mlekiem: Po zakończeniu przygotowywania napoju mlecznego można albo przechowywać pojemnik na mleko urządzenia bezpośrednio w lodówce (gotowy do użycia następnym razem), albo usunąć nadmiar mleka.
 - Jeśli w ciągu 15 minut nie zostanie podjęte żadne działanie, urządzenie przejdzie w tryb uśpienia, możesz nacisnąć dowolny przycisk, aby ponownie obudzić urządzenie.

CZYSZCZENIE I KONSERWACJA

Prosimy o dokładne przeczytanie WSZYSTKICH instrukcji, ostrzeżeń, uwag i ostrzeżeń zawartych w niniejszej instrukcji obsługi przed użyciem tego zaparzacza. Podczas używania tego urządzenia niektóre części i akcesoria nagrzewają się i muszą ostygnąć. Właściwa pielęgnacja i konserwacja zapewni długą żywotność ekspresu do espresso, cappuccino i latte oraz jego bezawaryjną pracę. Zachowaj te instrukcje i korzystaj z nich często, aby uzyskać wskazówki dotyczące czyszczenia i pielęgnacji.

PRAWDŁOWE UŻYCIE KAWY MIELONEJ W EKSPRESACH DO KAWY

Nie używaj mielonej kawy palonej cukrem ani ziaren kawy palonej cukrem, ponieważ mogą zatkać filtr i uszkodzić urządzenie. Jeśli przypadkowo użyjesz kawy palonej z cukrem, zaprzestań używania urządzenia i zanieś je do najbliższego serwisu w celu konserwacji. Zalecamy okresowe odkamienianie urządzenia, aby utrzymać je w dobrym stanie. Skontaktuj się z naszymi centrami serwisowymi, aby dowiedzieć się o tym procesie.

ODWAPNIONY

Po założeniu pojemnika na mleko urządzenie przypomni użytkownikowi o konieczności odkamieniania, powodując szybkie naprzemiennie miganie sześciu wskaźników. W tym momencie użytkownik musi napełnić zbiornik na wodę 600 ml czystej wody i specjalnym środkiem do usuwania kamienia. Następnie naciśnij jednocześnie przyciski espresso i latte, aby urządzenie automatycznie rozpoczęło odkamienianie.

Wszystkie sześć wskaźników będzie migać na przemian powoli. Po około pół godzinie pracy wszystkie sześć wskaźników będzie ponownie szybko migać naprzemiennie, a następnie użytkownik będzie musiał opróżnić zbiornik na wodę i napełnić go 600 ml czystej wody.

Ponownie wcisnąć jednocześnie przyciski espresso i kawy z mlekiem, a urządzenie będzie kontynuować usuwanie kamienia. Sześć wskaźników będzie migać na przemian powoli, a po około pół godzinie pracy urządzenie zatrzyma się i powróci do trybu czuwania.

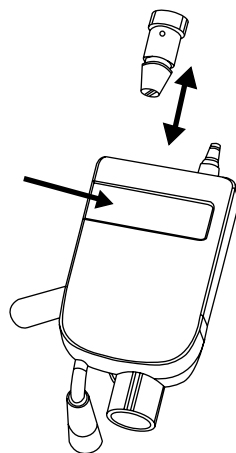
UWAGA:

- Można nacisnąć dowolny przycisk funkcyjny, aby wykonać odpowiednią funkcję, gdy urządzenie przypomina o konieczności odkamieniania. Urządzenie będzie przypominać o konieczności odkamieniania po zakończeniu odpowiedniej funkcji.
- Proces odkamieniania można przerwać w dowolnym momencie, naciskając dowolny przycisk, a następnie urządzenie będzie nadal przypominać użytkownikowi o konieczności usunięcia kamienia. Ekspres przejdzie do normalnego trybu czuwania dopiero po zakończeniu całego procesu odkamieniania.

CZYSZCZENIE POJEMNIKA NA MLEKO I DYSZY PARY

Chociaż możesz przechowywać pojemnik na mleko z resztkami mleka w lodówce, ważne jest, aby regularnie czyścić pojemnik na mleko i dyszę parową, aby uniknąć zatykania i tworzenia się pozostałości. Aby wyczyścić pojemnik na mleko, postępuj zgodnie z poniższymi instrukcjami:

1. Wyjąć pojemnik na mleko z urządzenia.
 2. Zdjąć korek ze zbiornika.
 3. Złącze dyszy parowej można odłączyć, obracając je. Możesz go wyczyścić wodą z kranu. Po oczyszczeniu zamocuj go na korku pojemnika na mleko, obracając go ponownie.
 4. Podczas czyszczenia pojemnika na mleko można otworzyć silikonowy pasek (nie zdejmować go) i umyć go wodą z kranu. Po wyczyszczeniu załóż silikonową końcówkę.
 5. Wlej pozostałe mleko, opłucz i dokładnie umyj pojemnik na mleko i jego pokrywę ciepłą wodą z mydłem. Dobrze wypłucz i wysusz. Nie używaj ściernych środków czyszczących ani myjek do szorowania, ponieważ mogą porysować wykończenie. Zbiornik na mleko można również myć w zmywarce (na górnej tacy). Nie wkładaj pokrywki pojemnika na mleko do zmywarki.
 6. Ustaw duży pusty kubek pod dyszą parową.
 7. Obróć pokrętło regulacji pianki w prawo do pozycji czyszczenia, a następnie naciśnij i przytrzymaj przycisk latte / clean przez 3 sekundy i zwolnij, aby aktywować funkcję czyszczenia. Urządzenie zacznie wypuszczać parę przez dyszę pary, pozwól jej pracować przez kilka sekund, aż w filiżance nie będzie widać mleka. Po zakończeniu naciśnij raz przycisk latte / clean, aby zatrzymać proces.
 8. Wylej pozostałą wodę z pojemnika na mleko i włóż go z powrotem do urządzenia.
- Uwaga:** Aby zdemontować pojemnik na mleko, należy go nieco unieść, a następnie wyjąć.



CZYSZCZENIE GŁOWICY PRZYGOTOWAWCZEJ, UCHWYTU FILTRA I FILTRA

1. Przełącz przycisk zasilania z boku urządzenia do pozycji „0” i odłącz przewód zasilający z gniazda elektrycznego.
2. Niektóre metalowe części mogą nadal być gorące. Nie dotykaj ich rękami, dopóki nie ostygną.
3. Wyjmij uchwyt filtra i wyrzuć fusy z kawy lub zużyłą kapsułkę. Umyj uchwyt filtra i filtr w ciepłej wodzie z mydłem i dokładnie wypłucz. Nie myj uchwytu filtra ani filtrów w zmywarce.
4. Przetrzyj spód głowicy zaparzającej urządzenie wilgotną szmatką lub papierową serwetką, aby usunąć wszelkie pozostałości kawy.
5. Umieść uchwyt filtra (bez żadnego filtra) z powrotem w głowicy zaparzającej urządzenia.
6. Umieść dużą pustą filiżankę pod uchwytem filtra.
7. Naciśnij raz przycisk espresso i pozwól urządzeniu parzyć tylko wodą, aż zatrzyma się automatycznie.

CZYSZCZENIE ZBIORNIKA NA WODĘ

Pozbądź się pozostałej wody, wyjmując zbiornik i obracając go nad zlewem. Zaleca się opróżnianie zbiornika na wodę między użyciami. Umyj zbiornik na wodę wodą z mydłem, dobrze wypłucz i wysusz. Zbiornik na wodę można również myć w zmywarce.

CZYSZCZENIE URZĄDZENIA

1. Wyczyść obudowę miękką, wilgotną szmatką. Nie używaj ściernych środków czyszczących ani myjek do szorowania, ponieważ mogą porysować wykończenie.
2. Nie przechowuj kolby w głowicy przygotowawczej. Może to negatywnie wpłynąć na uszczelnienie między głowicą zaparzącą a kolbą podczas parzenia espresso.

Uwaga: Nie zanurzaj urządzenia w wodzie.

ODKAMNIENIANIE URZĄDZENIA

Nagromadzone osady mineralne w urządzeniu wpłyną na działanie urządzenia. Urządzenie należy odkamienić, gdy zaczniesz zauważać wydłużenie czasu zaparzenia espresso lub gdy pojawi się nadmiar pary. Można również zauważyć nagromadzenie się białych osadów na powierzchni głowicy przygotowawczej.

Częstotliwość czyszczenia zależy od twardości używanej wody. Jeśli używasz miękkiej wody (woda filtrowana), częstotliwość czyszczenia powinna wynosić co 80 cykli parzenia; Jeśli używasz twardej wody (woda z kranu), częstotliwość czyszczenia powinna wynosić co 40 cykli parzenia.

• Odkamienianie zbiornika na wodę:

1. Napełnij zbiornik nierozcieńczonym białym octem domowym.
2. Pozostaw urządzenie na noc z roztworem octu w zbiorniku na wodę.
3. Wyrzuc ocet, wyjmując zbiornik i obracając go do góry nogami nad zlewem.
4. Dobrze wypłucz zbiornik na wodę wodą z kranu, napełniając go do połowy wodą, a następnie wlewając wodę z powrotem do zlewu, powtarzając ten krok dwukrotnie.

• Odkamienianie części wewnętrznych:

1. Pamiętaj, aby najpierw usunąć kamień z wnętrza zbiornika na wodę, postępując zgodnie z powyższymi krokami „Usuwanie kamienia”.
2. Upewnij się, że przycisk zasilania został przełączony do pozycji „0”, a przewód zasilający jest odłączony od gniazdka elektrycznego. Napełnij zbiornik octem białym powyżej minimalnego poziomu.
3. Włożyć uchwyt filtra (z filtrem i bez kawy) i umieścić zwykły dzbanek lub filiżankę na tacce ociekowej i pod uchwytem filtra.
4. Podłącz przewód zasilający do gniazdka.
5. Naciśnij przycisk zasilania, aby włączyć urządzenie w pozycję „I”. Gdy wszystkie sześć lampek na panelu sterowania zmieni kolor na niebieski, naciśnij dwukrotnie przycisk Express. Ocet zacznie przepływać przez urządzenie i zatrzyma się automatycznie.
6. Podstaw duży pojemnik lub filiżankę (o pojemności co najmniej 325 ml) pod wylewką. Napełnij zbiornik na mleko wodą i włącz go z powrotem do urządzenia. Obróć pokrętko regulacji pianki w prawo do pozycji czyszczenia, a następnie naciśnij i przytrzymaj przycisk latte przez 3 sekundy, aby aktywować funkcję czyszczenia. Pozwól urządzeniu wypuszczać wodę przez dyszę przez około 30 sekund, a następnie naciśnij raz podwójny przycisk latte, aby zatrzymać proces.

7. W razie potrzeby powtórz kroki od 1 do 6, używając tylko wody z kranu do wyptukania pozostałego octu z urządzenia.

• **Ręczny tryb odkamieniania:**

Gdy urządzenie działało przez 500 cykli, włączy się alarm usuwania kamienia. Wskaźniki cappuccino i latte migają po kolei. Jeśli nie zostanie na czas odkamieniany, wewnętrzny system przygotowania może zostać zablokowany.

Uwaga: Jeśli chcesz usunąć kamień przed upływem 500 cykli, możesz ręcznie usunąć kamień, wykonując następujące czynności:

1. Upewnij się, że wyłącznik zasilania znajduje się w pozycji „0”, a przewód zasilający jest odłączony. Wlej 400 ml białego octu i 600 ml wody do zbiornika na wodę. Zamontuj pojemnik na mleko na urządzeniu, obróć pokrętło regulacji pianki zgodnie z ruchem wskazówek zegara do pozycji czyszczenia.
2. Wciśnij włącznik do pozycji „I”, wskaźnik cappuccino i latte zaczną migać kolejno. Naciśnij jednocześnie przyciski espresso i latte, urządzenie automatycznie uruchomi tryb usuwania kamienia. 6 lampek kontrolnych miga zgodnie z ruchem wskazówek zegara, dysza pary będzie wytwarzać gorącą wodę i parę. Po 10 minutach urządzenie przejdzie w tryb gotowości i zaświeci się wszystkie 6 lampek kontrolnych.
3. Usuń resztki roztworu odkamieniającego i wyczyść zbiornik na wodę, wlej odpowiednią ilość czystej wody, zaparz dwie filiżanki espresso z rzędu, a następnie dwie filiżanki latte z rzędu. Czyszczenie zakończy się i zaświeci się wszystkie 6 lampek kontrolnych. Urządzenie powróci do trybu gotowości i po ponownym uruchomieniu przez 500 cykli urządzenie ponownie zapamięta odkamienianie.

Uwaga: W stanie przypomnienia o odkamienianiu można nadal normalnie korzystać z urządzenia, a po pracy powróci ono do stanu przypomnienia o odkamienianiu.

ROZWIĄZYWANIE PROBLEMÓW

KWESTIA	PRZYCZYNA	ROZWIĄZANIE
Kawa nie wypływa.	<ol style="list-style-type: none"> 1. W zbiorniku nie ma wody. 2. Mielona kawa jest zbyt drobna. 3. Za dużo kawy w filtrze. 4. Urządzenie nie było włączone lub podłączone. 5. Kawa została zbyt mocno sprasowana / sprasowana. 	<ol style="list-style-type: none"> 1. Dodaj wodę 2. Zmiel średnio mieloną kawę. 3. Napełnij filtr mniejszą ilością kawy. 4. Podłącz urządzenie do gniazdka i włącz je. 5. Napełnij filtr kawą, nie naciskaj go zbyt mocno.
Kawa wypływa z krawędzi uchwytu filtra.	<ol style="list-style-type: none"> 1. Uchwyt filtra nie został obrócony do pozycji całkowicie zablokowanej. 2. Kawa mielona wokół krawędzi filtra. 3. Za dużo kawy w filtrze. 	<ol style="list-style-type: none"> 1. Obróć uchwyt filtra do pozycji całkowicie zablokowanej. 2. Oczyść krawędź. 3. Wypełnij mniejszą ilością kawy.
Mleko nie pieni się po spienieniu lub nie wypływa z dyszy pary.	<ol style="list-style-type: none"> 1. Skończyła się para. 2. Mleko nie jest wystarczająco zimne. 3. Dysza parowa jest zablokowana. 	<ol style="list-style-type: none"> 1. Upewnij się, że w zbiorniku jest wystarczająca ilość wody. 2. Przed przygotowaniem cappuccino schłódź mleko i dzbanek do spieniania. 3. Postępuj zgodnie z instrukcjami, aby wyczyścić zbiorniki na mleko i dyszę parową.
Kawa wypływa zbyt szybko.	<ol style="list-style-type: none"> 1. Mielona kawa jest zbyt gruba. 2. W filtrze jest za mało kawy. 	<ol style="list-style-type: none"> 1. Użyj drobniejszego mielenia. 2. Użyj więcej kawy.
Kawa jest za słaba.	<ol style="list-style-type: none"> 1. Używasz małego filtra do podwójnego espresso. 2. Mielona kawa jest zbyt gruba. 	<ol style="list-style-type: none"> 1. Użyj dużego filtra do podwójnego espresso. 2. Użyj drobniejszego mielenia.
Trzy lampki na panelu sterowania migają naprzemiennie.	Zbiornik na wodę jest pusty.	Dodaj wodę do zbiornika.



Zgodnie z dyrektywami: 2012/19 / UE i 2015/863 / UE w sprawie ograniczenia stosowania niebezpiecznych substancji w sprzęcie elektrycznym i elektronicznym, a także ich usuwania. Symbol z przekreślonym pojemnikiem na śmieci pokazany na opakowaniu oznacza, że produkt pod koniec okresu użytkowania będzie zbierany jako osobny odpad. Dlatego każdy produkt, który osiągnął koniec okresu użytkowania, musi zostać dostarczony do wyspecjalizowanych centrów usuwania odpadów w celu selektywnej zbiórki zużytego sprzętu elektrycznego i elektronicznego lub zwrócony do sprzedawcy przy zakupie podobnego nowego sprzętu, w jednym dla jednej bazy. Właściwa selektywna zbiórka w celu późniejszego uruchomienia sprzętu przeznaczonego do recyklingu, obróbki i utylizacji w sposób przyjazny dla środowiska pomaga zapobiegać potencjalnym negatywnym skutkom dla środowiska i zdrowia oraz optymalizuje recykling i ponowne użycie elementy składające się na urządzenie. Niewłaściwe usunięcie produktu przez użytkownika oznacza nałożenie sankcji administracyjnych zgodnie z prawem.

CREATE



FR

Cet appareil
se recycle

À DÉPOSER
EN MAGASIN



OU

À DÉPOSER
EN DÉCHÈTERIE



Points de collecte sur www.quefairedemesdechets.fr
Privilégiez la réparation ou le don de votre appareil !



RoHS



/ Made in P.R.C.