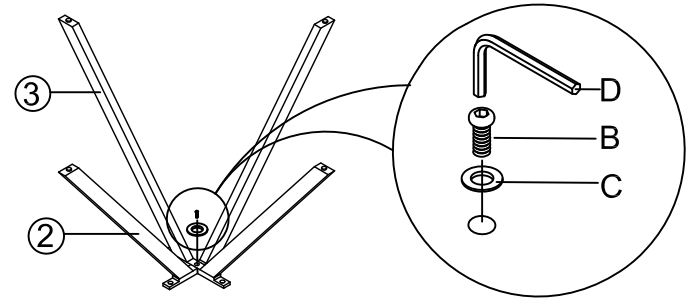
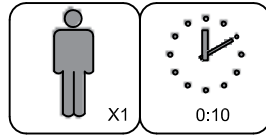




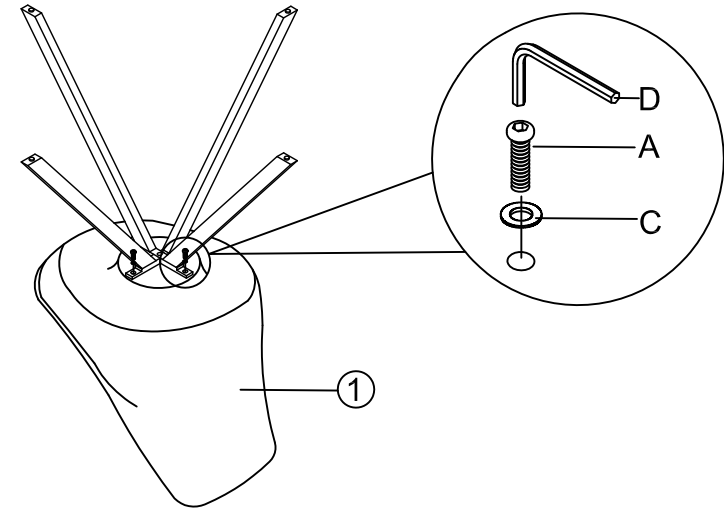
①



when the chair has wobble problem, please adjust
the two caps of the opposite corner for 2~3 circles



②



① X1	② X1	③ X1		
A M6x20 x 4	B M6x16 x 1	C x 5	D x 1	