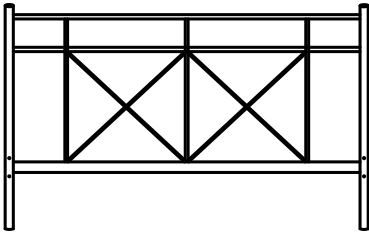
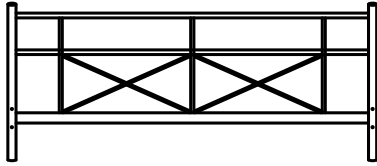


# ASSEMBLY INSTRUCTION

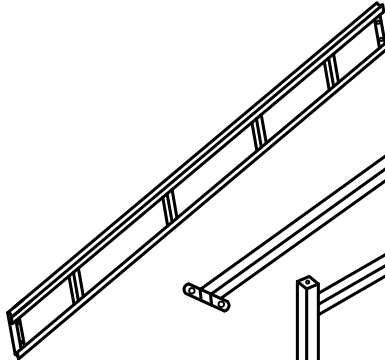
**PART LIST**



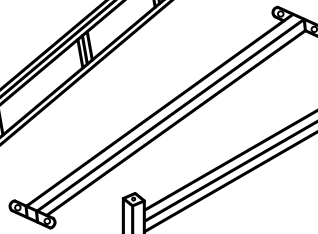
(A) X1



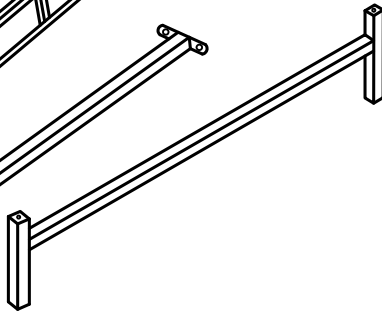
(B) X1



(C) X2



(D) X2



(E) X1

**HARDWARE LIST**



(F) M8\*19mm BOLT  
18PCS



(G) M8 NUT  
8PCS

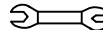


(H)  $\Phi$ 50 DECORATIVE BALL  
4PCS

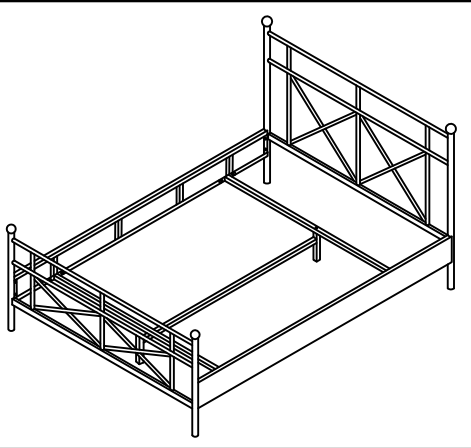
**TOOL:**



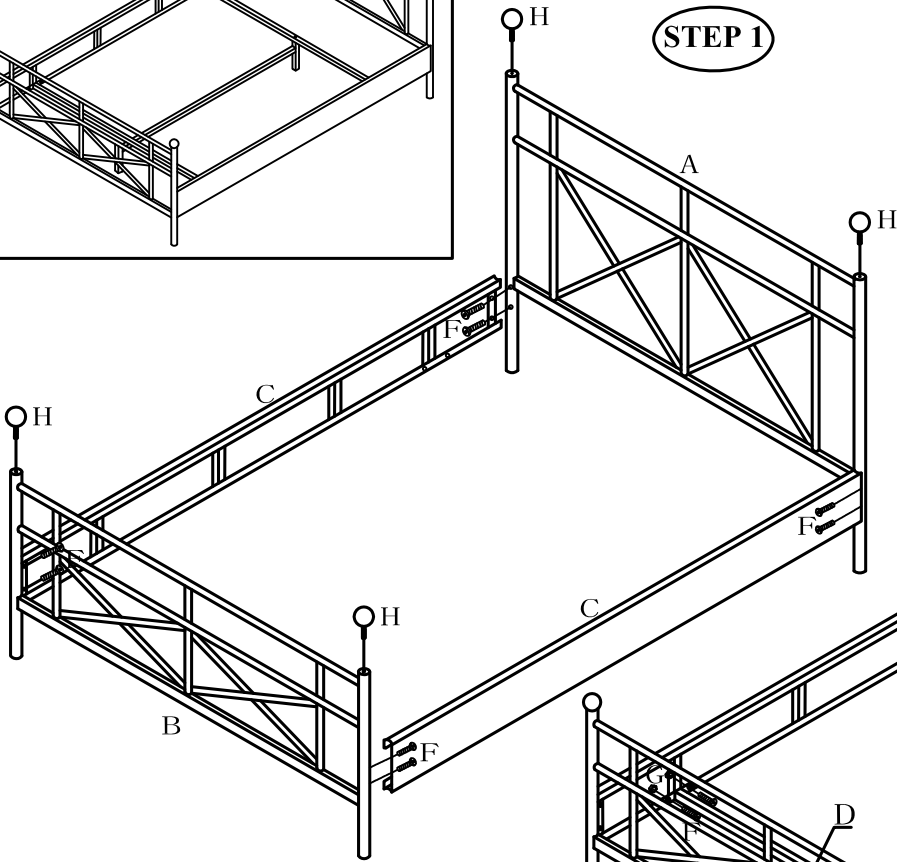
M4  
1PC



1PC



**STEP 1**



**STEP 2**

