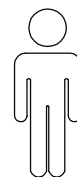
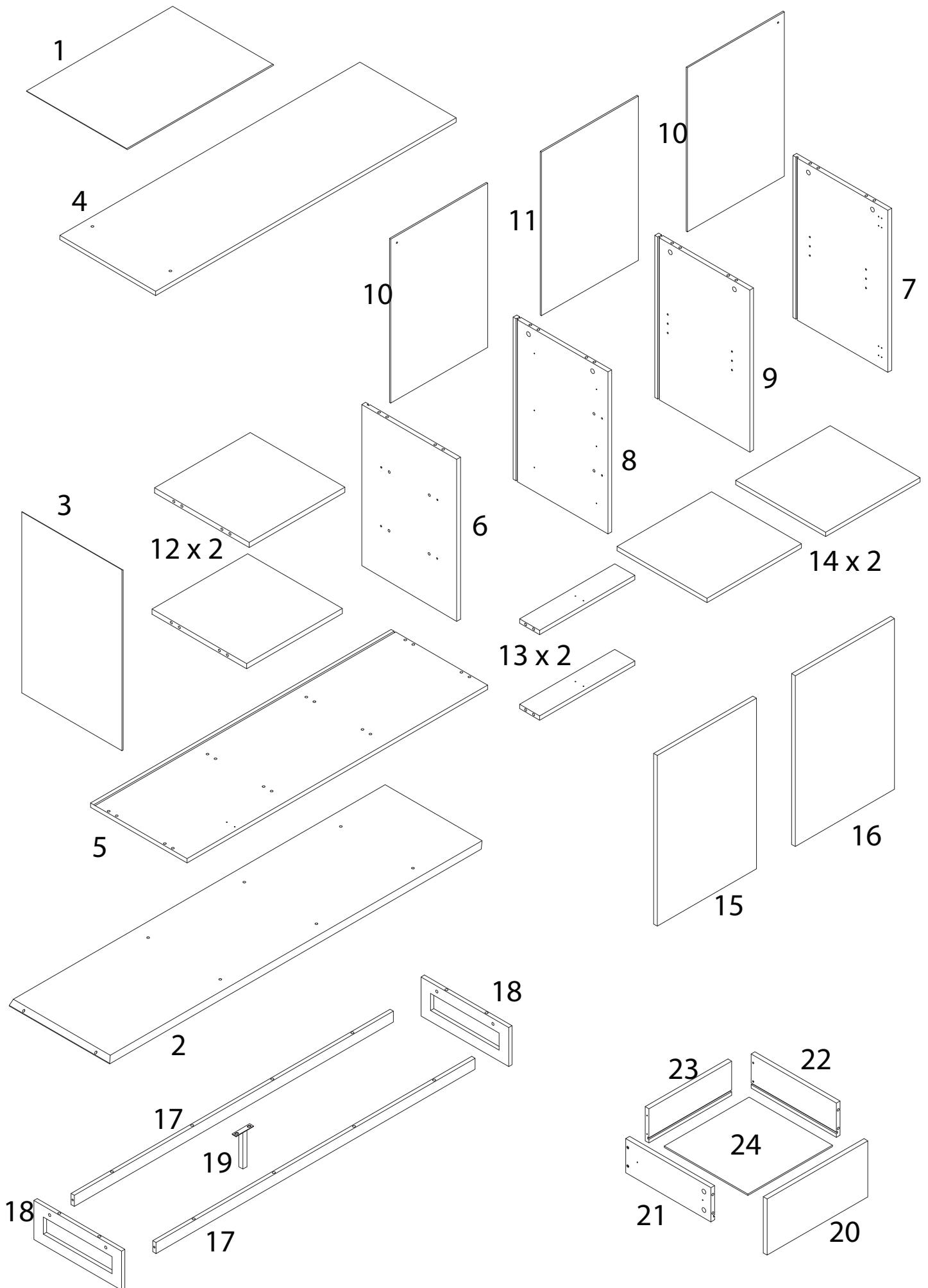
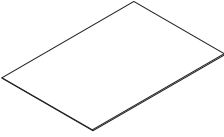
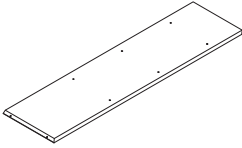

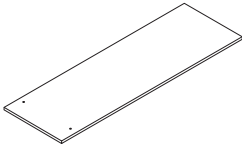
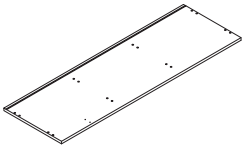
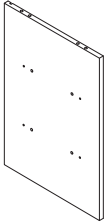
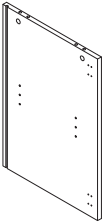
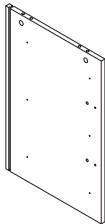
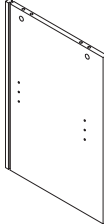


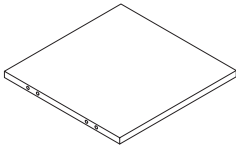
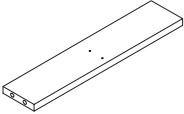
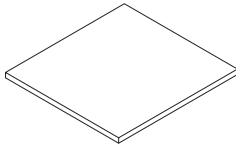

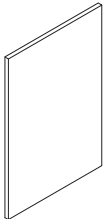
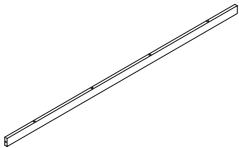
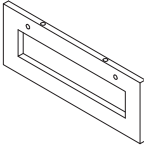
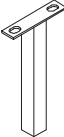
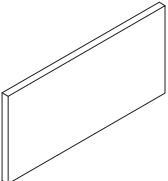
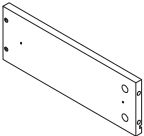
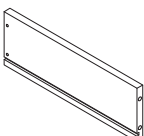
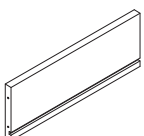
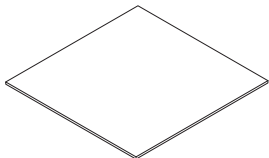


60'



2



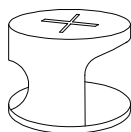
1  x 1	2  x 1	3  x 1	4  x 1	5  x 1
6  x 1	7  x 1	8  x 1	9  x 1	10  x 2
11  x 1	12  x 2	13  x 2	14  x 2	15  x 1
16  x 1	17  x 2	18  x 2	19  x 1	20  x 3
21  x 3	22  x 3	23  x 3	24  x 3	

A



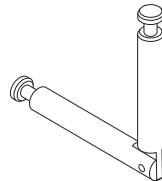
x 32

B



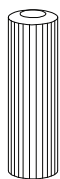
x 40

C



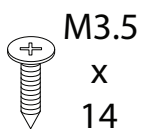
x 4

D



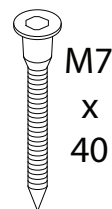
x 28

E



x 75

F



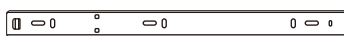
x 8

G



x 12

H



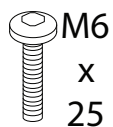
x 6

I



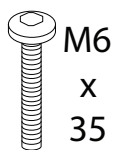
x 6

J



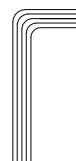
x 8

K



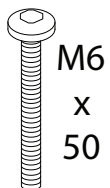
x 4

L



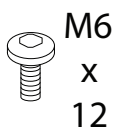
x 1

M



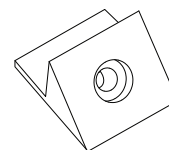
x 12

N



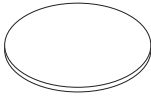
x 2

O



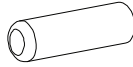
x 12

P



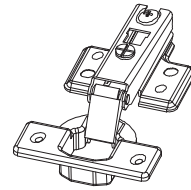
x 20

Q



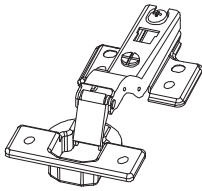
x 8

R



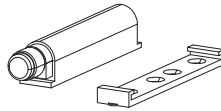
x 2

S



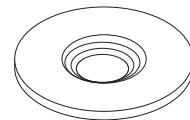
x 2

T



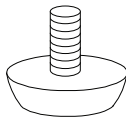
x 5

U



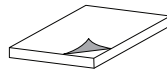
x 5

V



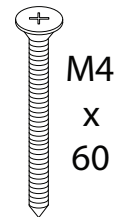
x 1

W



x 4

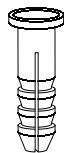
X



M4
x
60

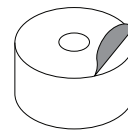
x 2

Y



x 2

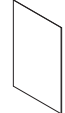
Z



x 2

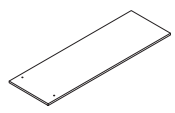
1

3



x 1

4



x 1

A

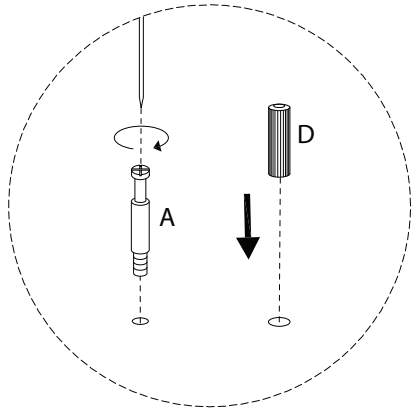
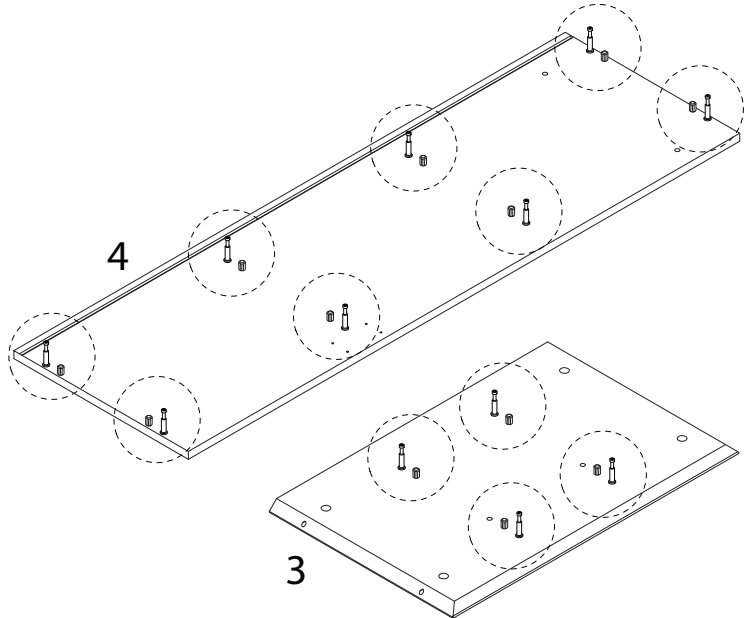


x 12

D

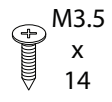


x 8



2

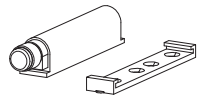
E



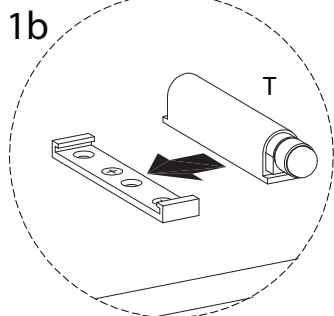
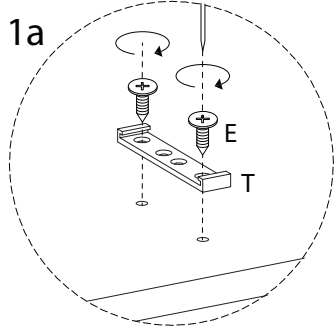
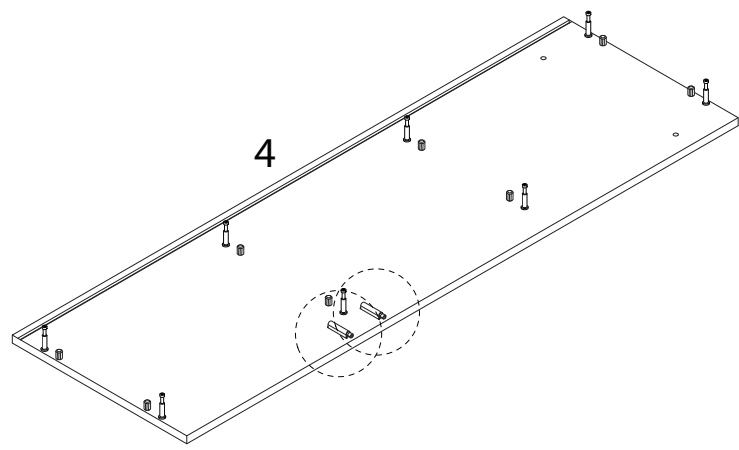
M3.5
x
14

x 4

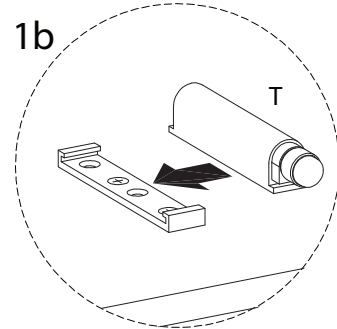
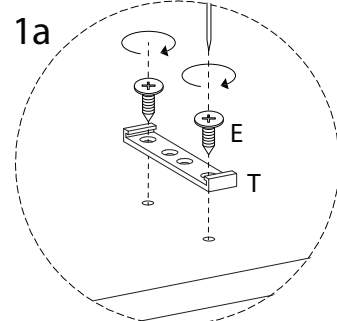
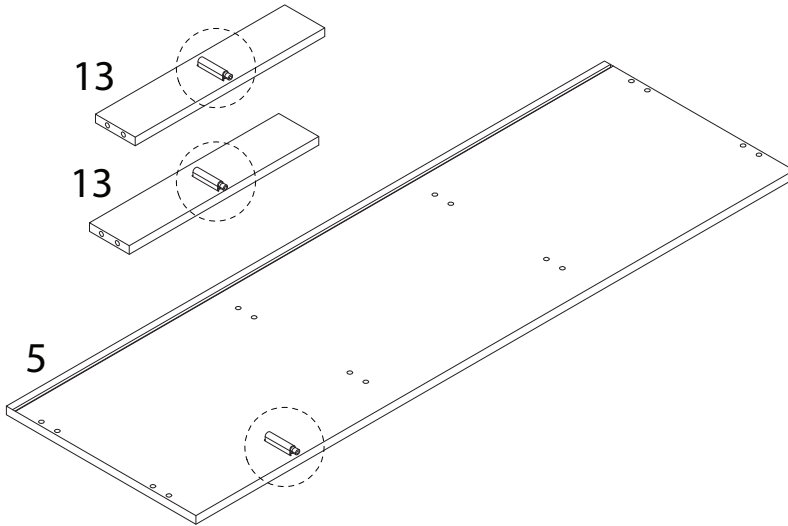
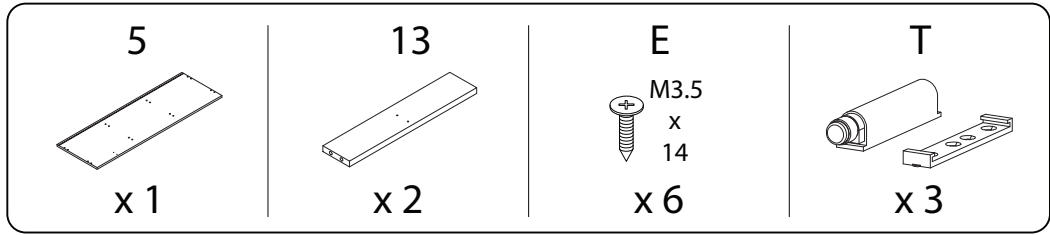
T



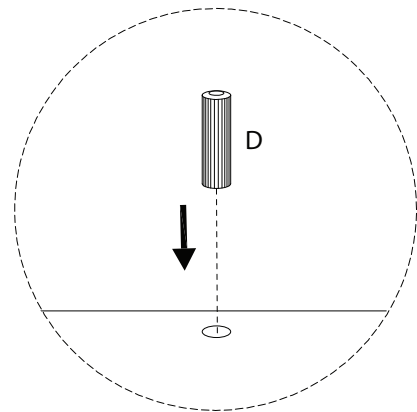
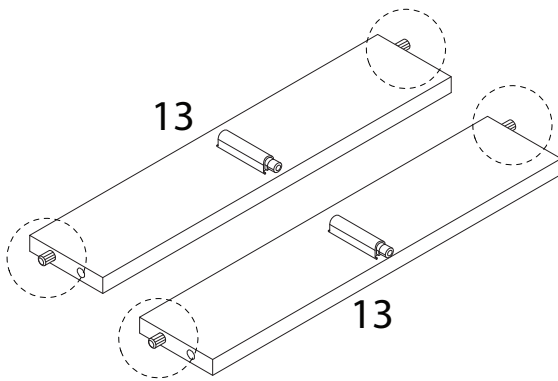
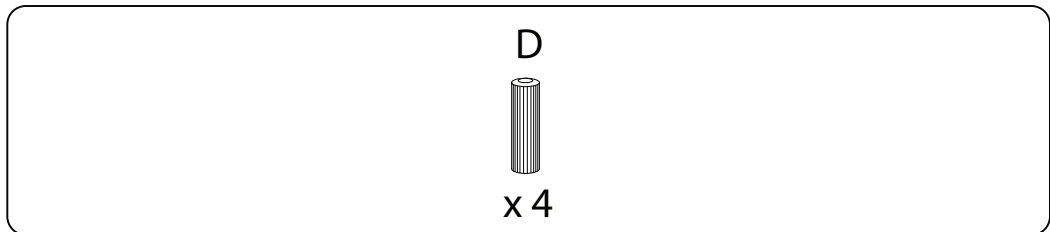
x 2



3



4



5

6



x 1

8

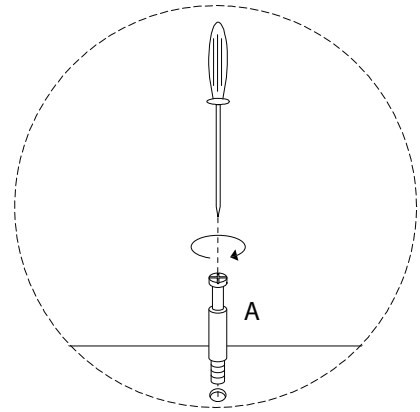
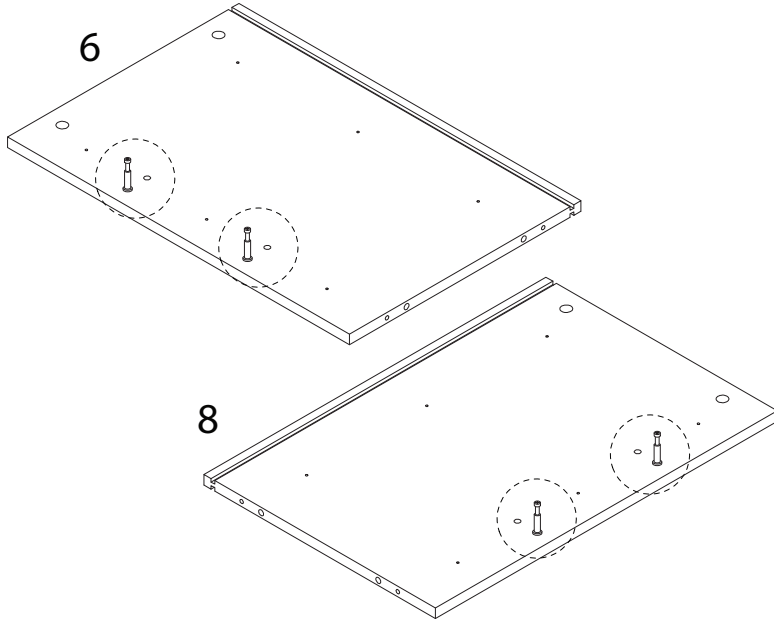


x 1

A



x 4



6

A

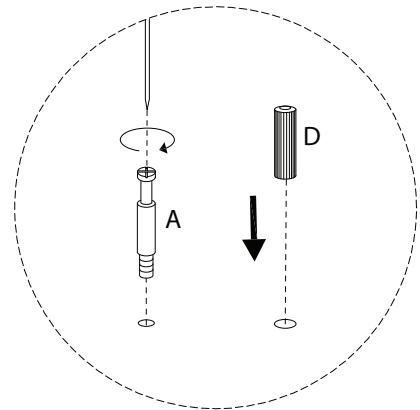
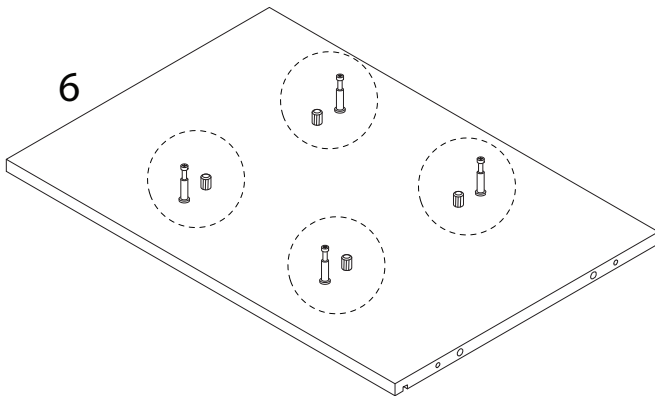


x 4

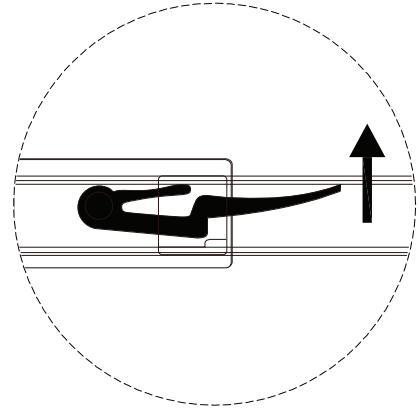
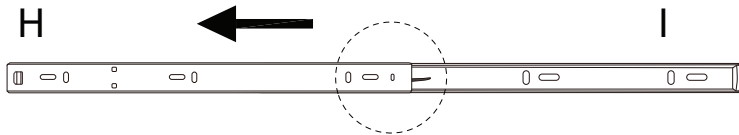
D



x 4



!

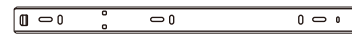


7

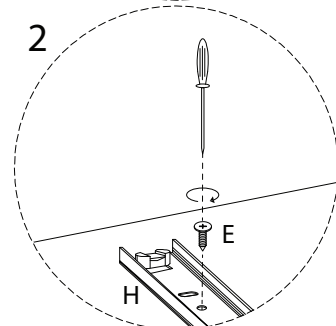
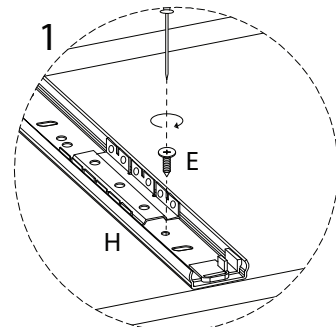
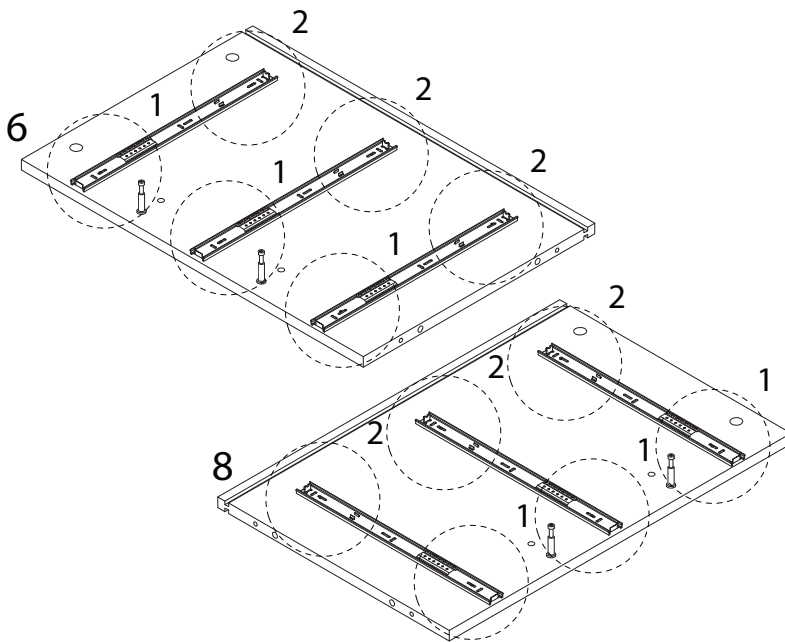
E

M3.5
x
14
x 12

H



x 6

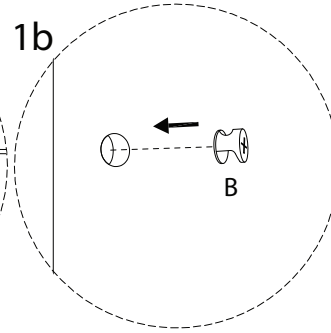
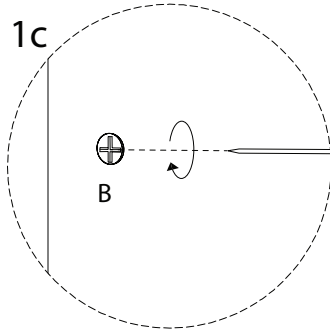
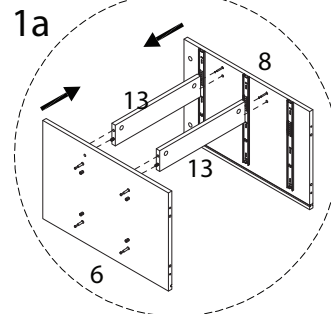
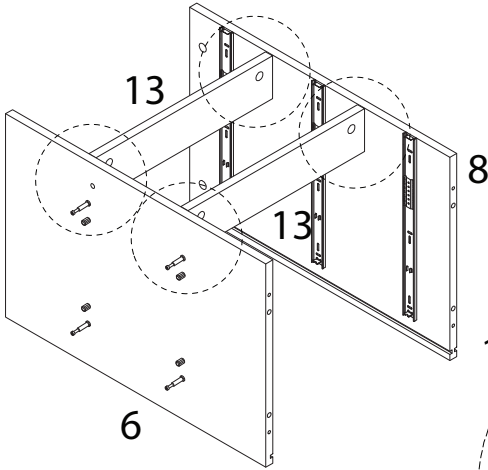


8

B



x 4



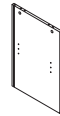
9

7



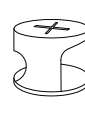
x 1

9

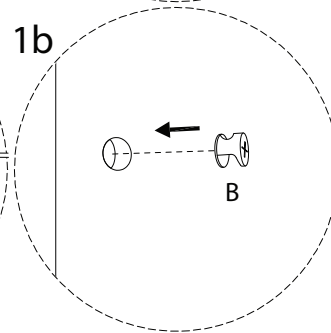
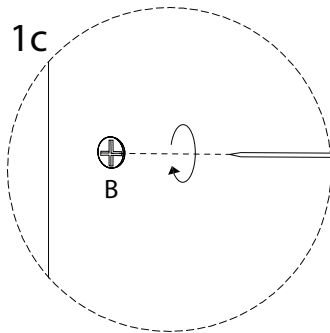
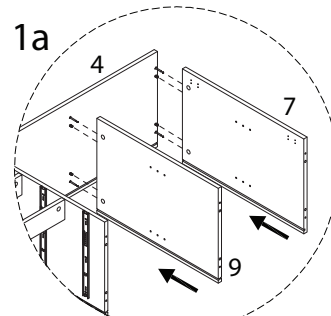
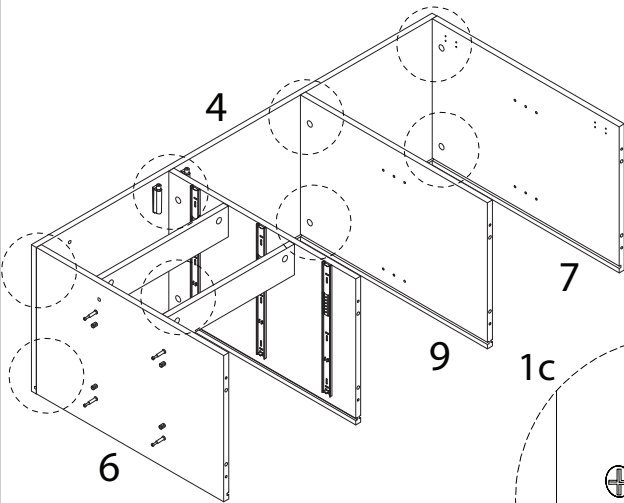


x 1

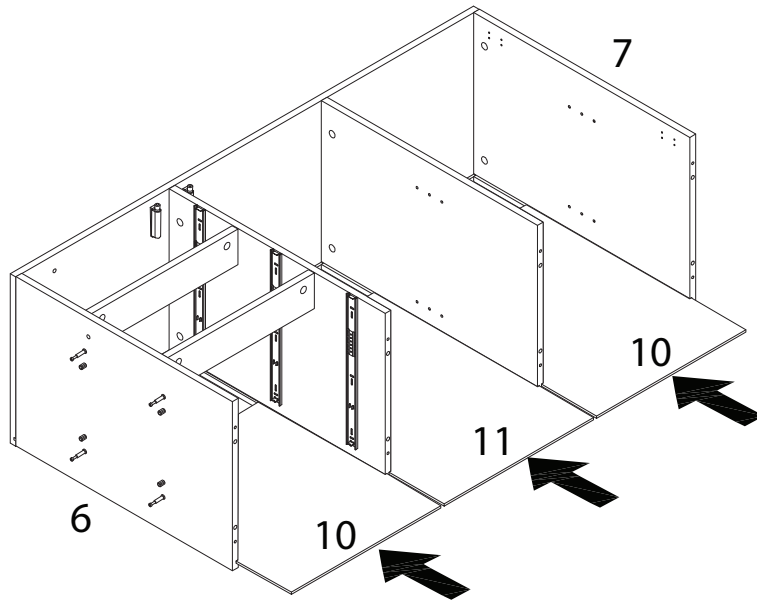
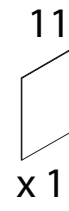
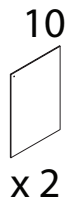
B



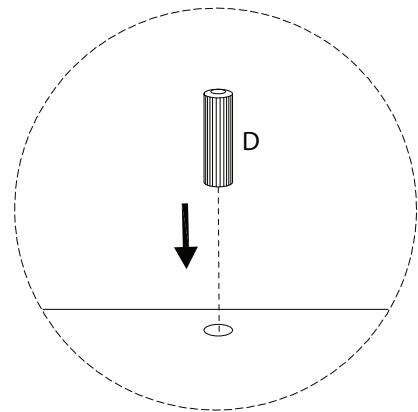
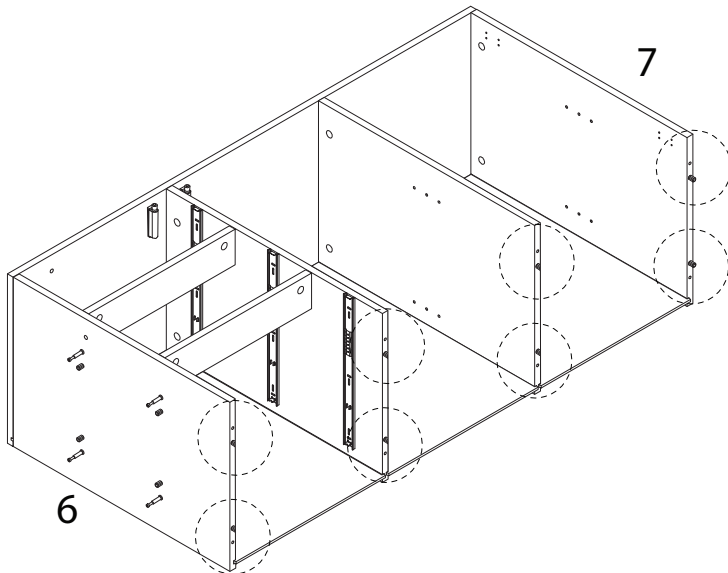
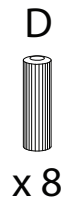
x 8



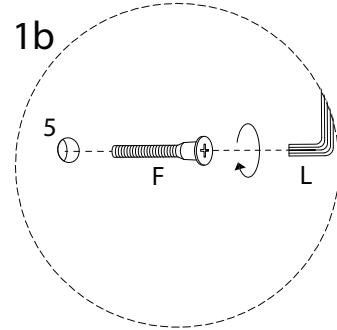
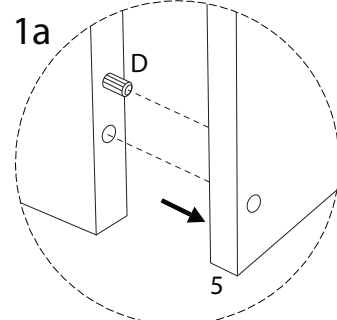
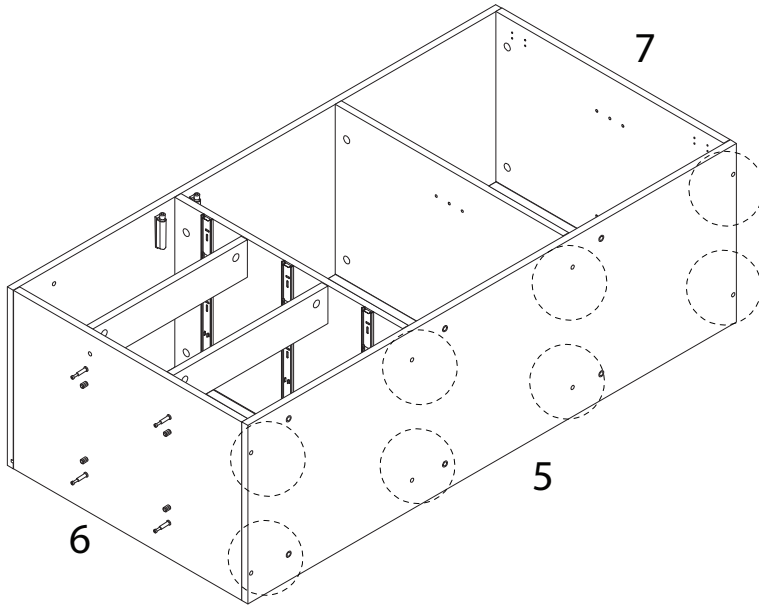
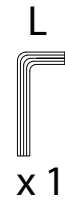
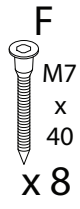
10



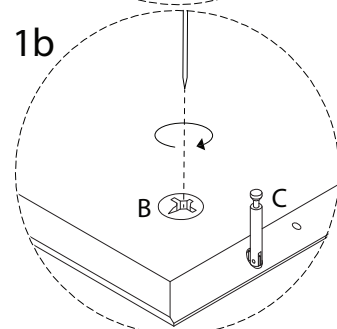
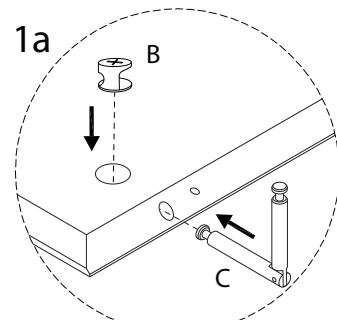
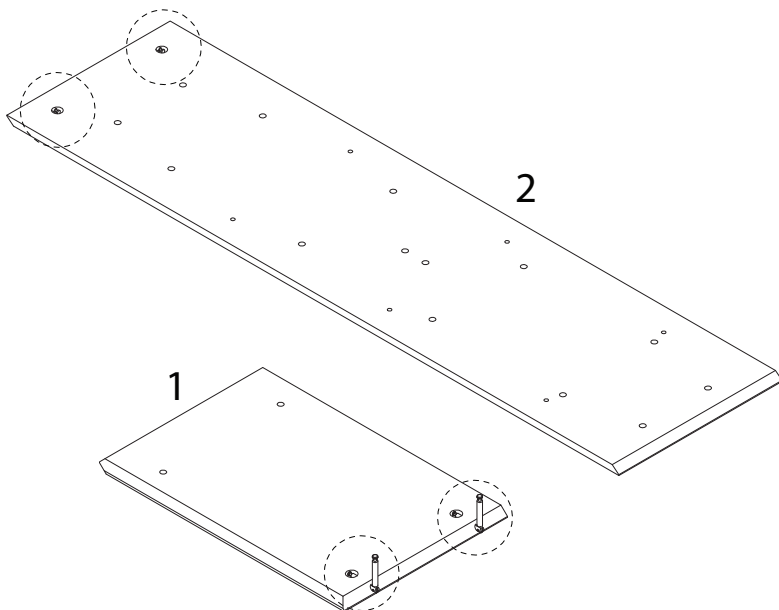
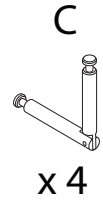
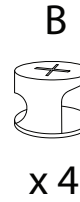
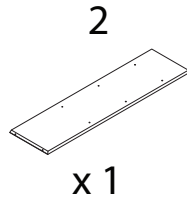
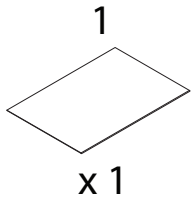
11



12



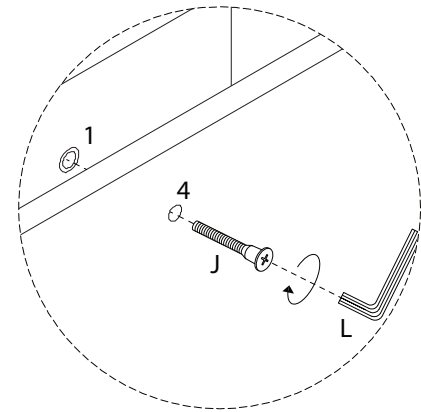
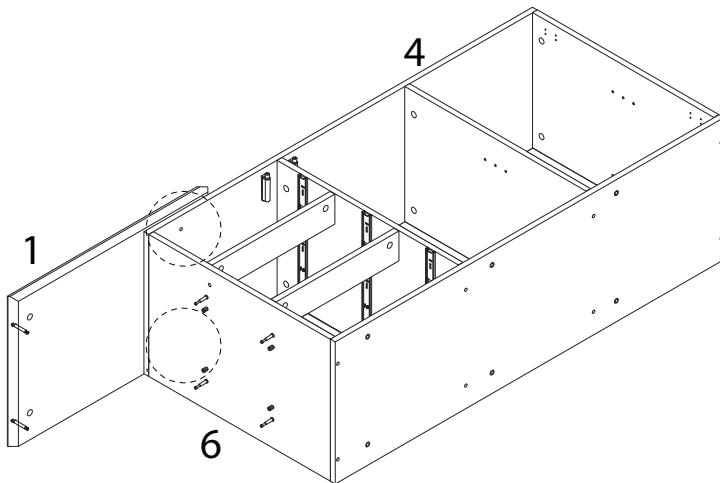
13



14

J
M6
x
25
x 2

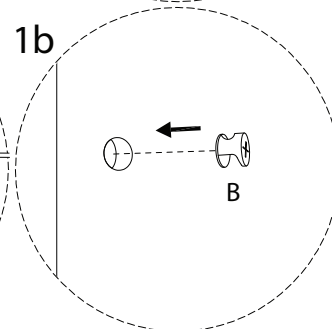
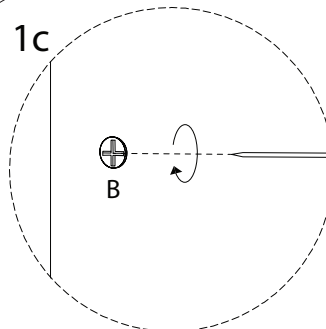
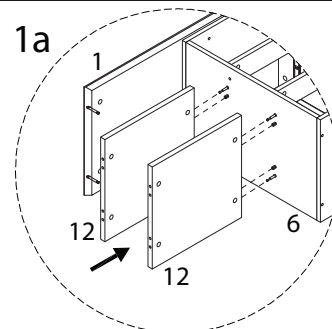
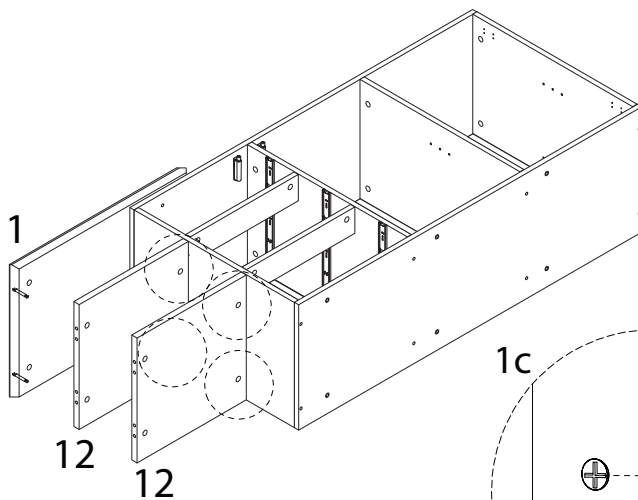
L
x 1



15

12
x 2

B
x 4

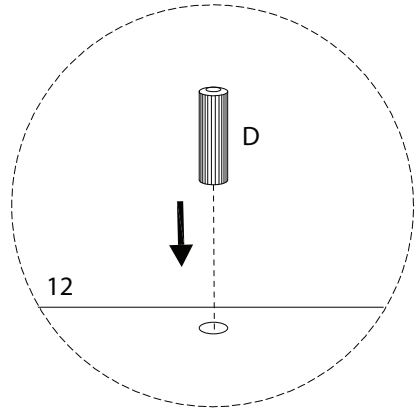
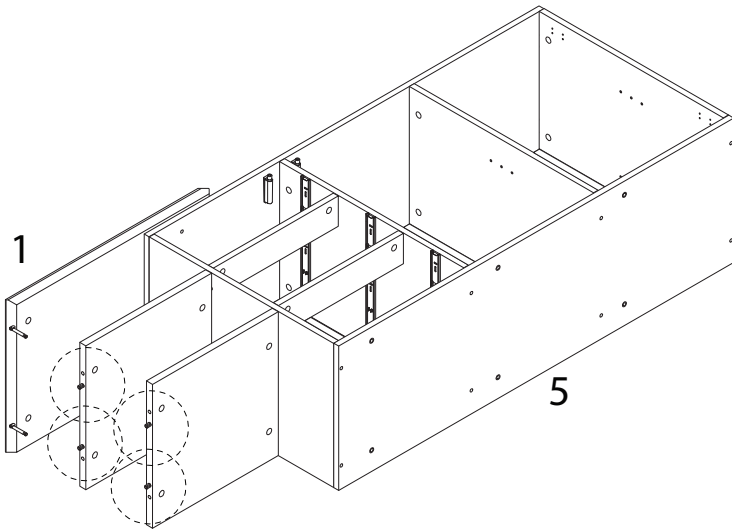


16

D



x 4

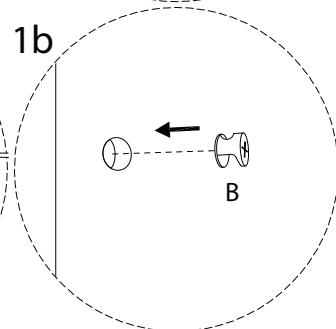
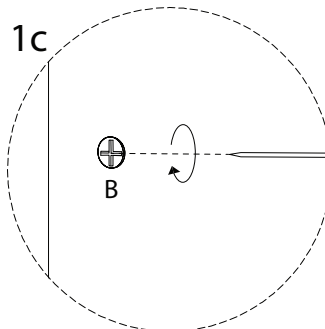
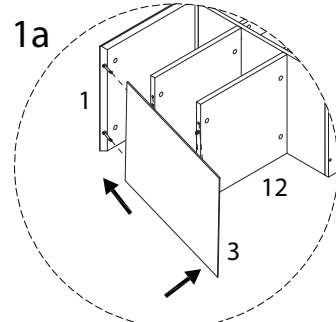
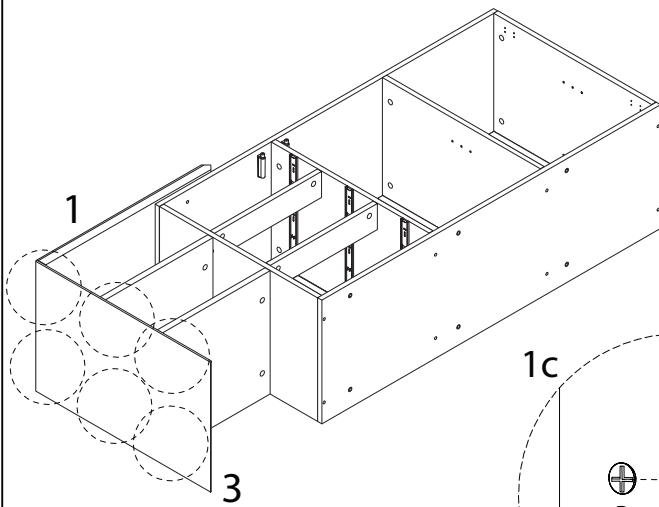


17

B



x 6

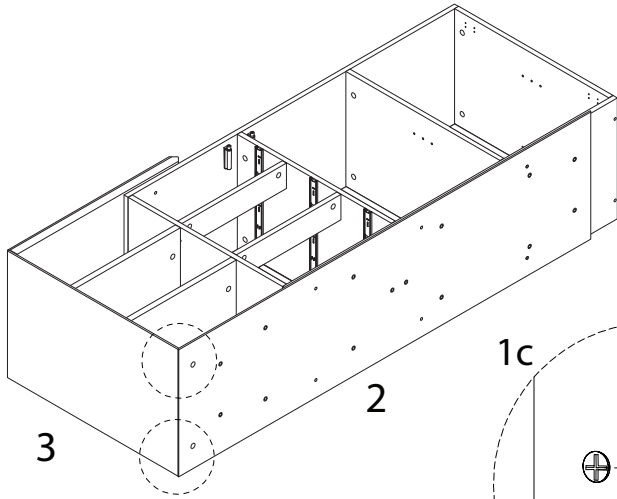


18

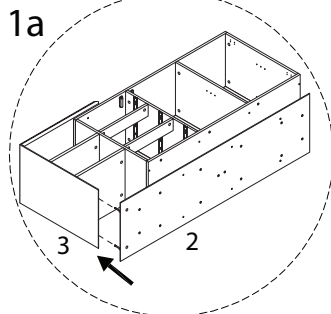
B



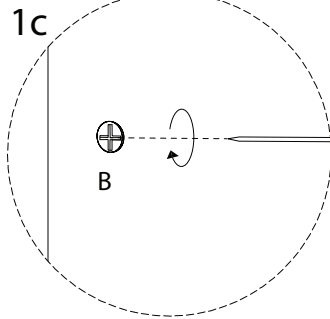
x 2



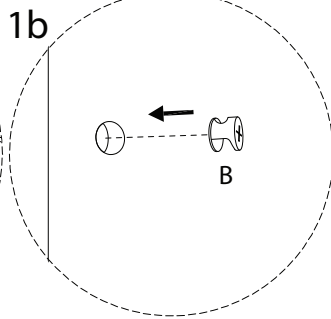
1a



1c



1b



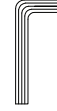
19

J

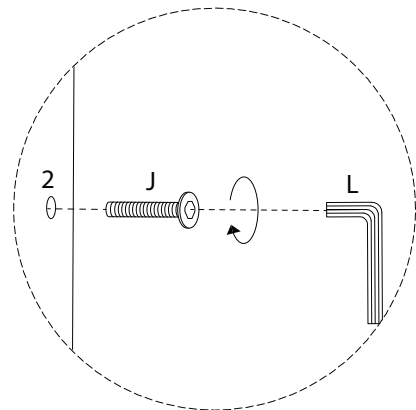
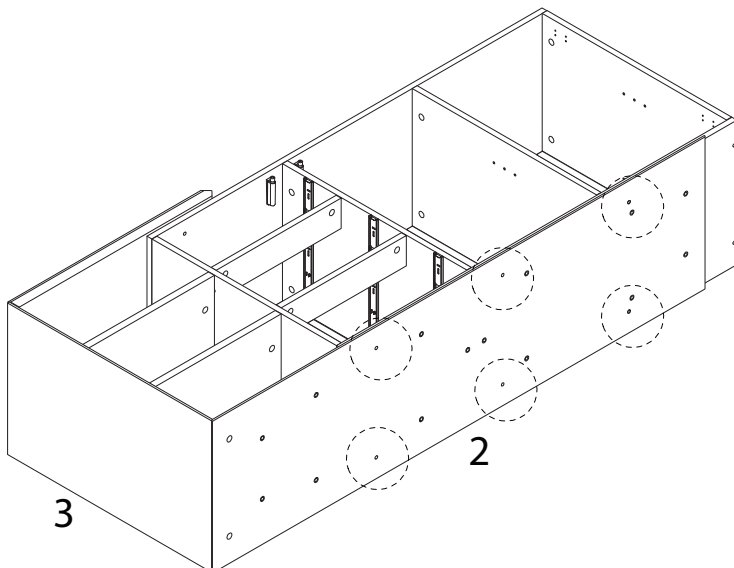


x 6

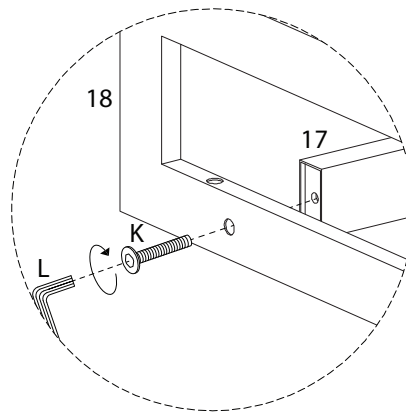
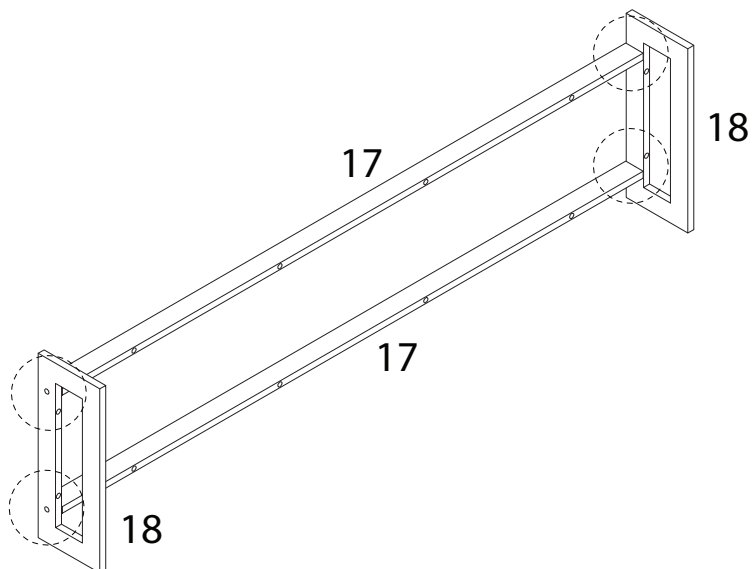
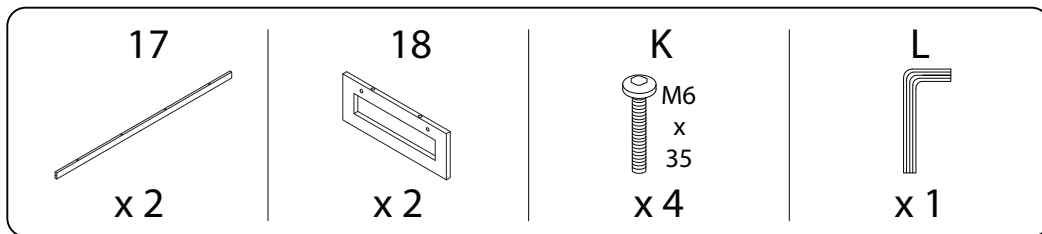
L



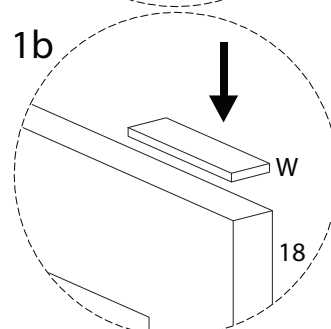
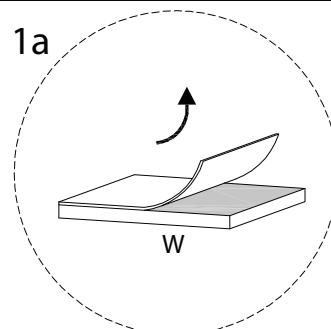
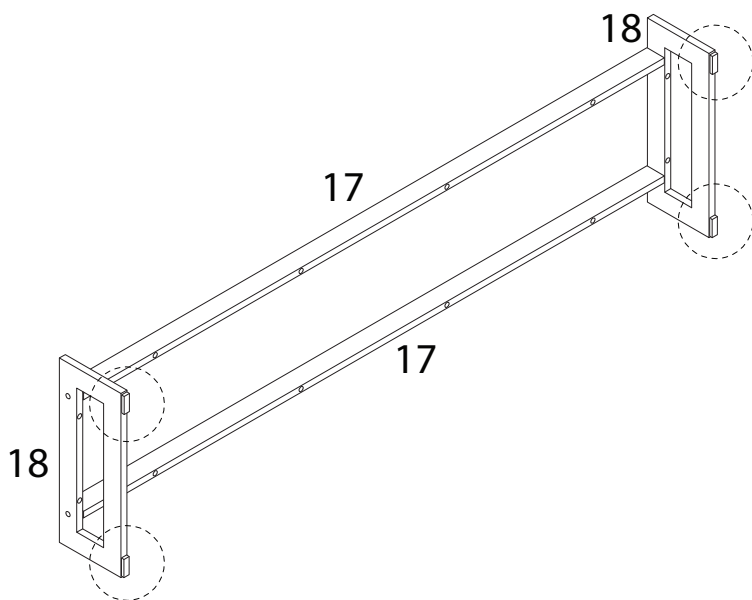
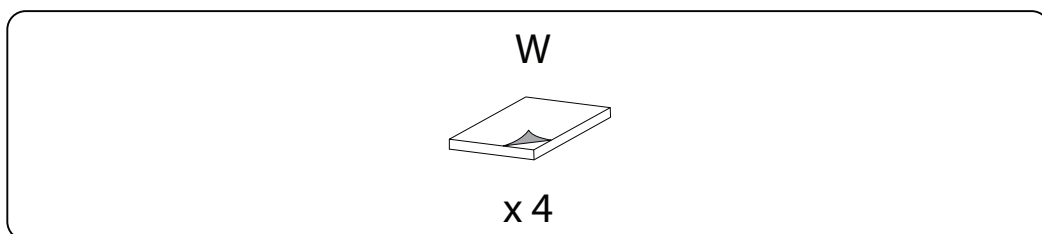
x 1



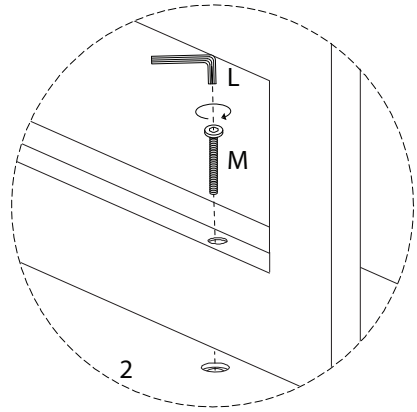
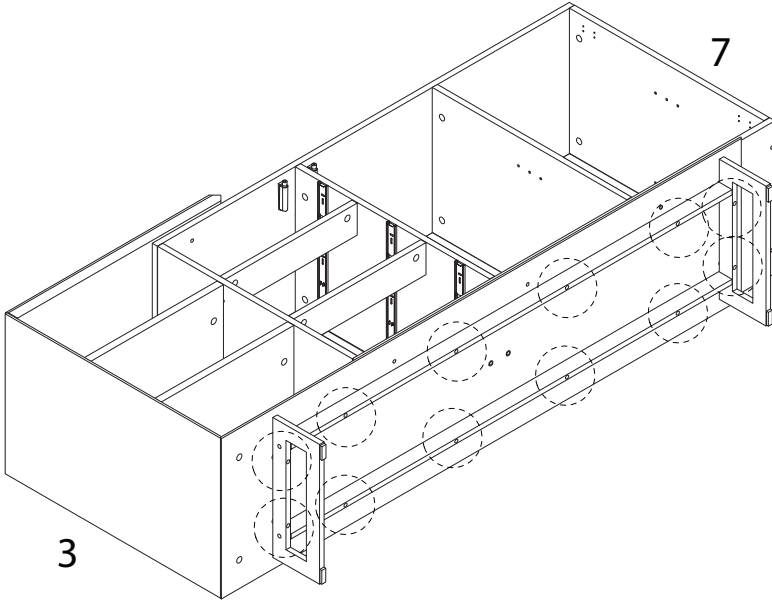
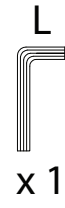
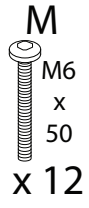
20



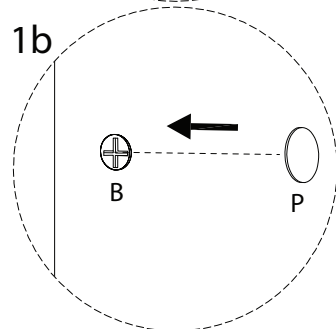
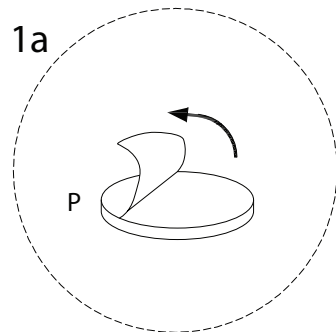
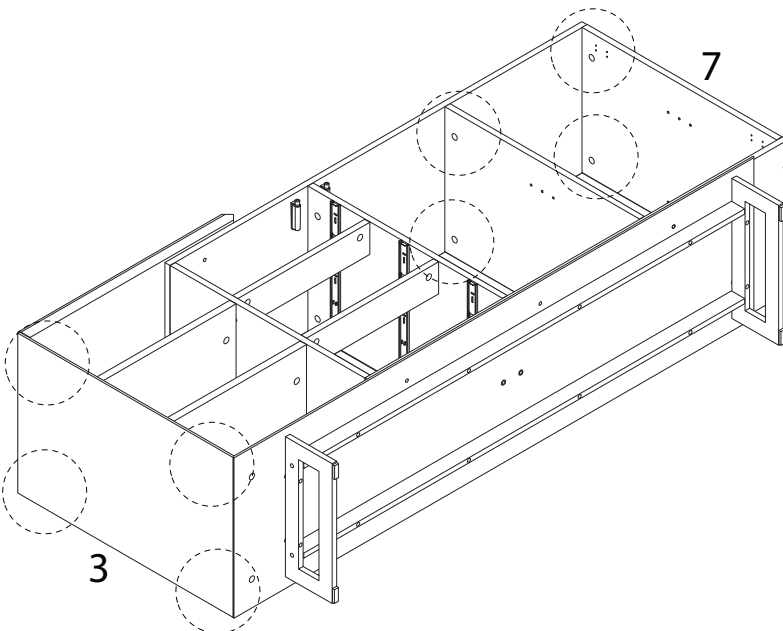
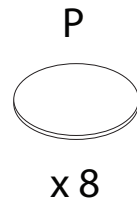
21



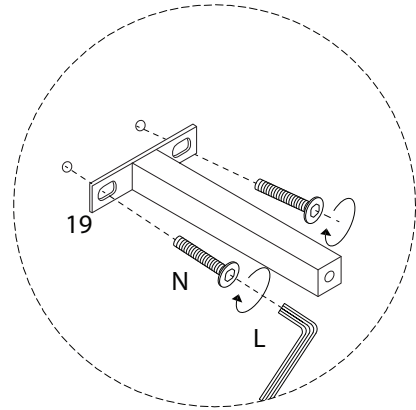
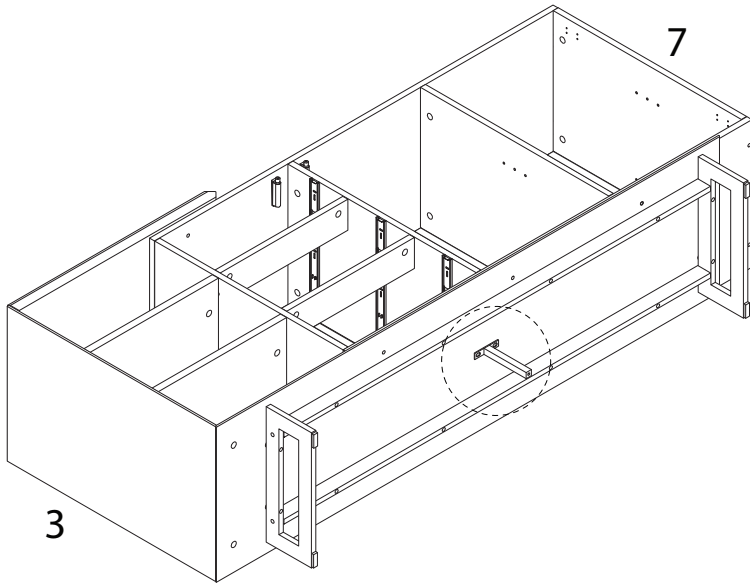
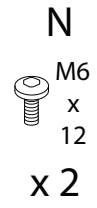
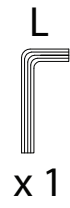
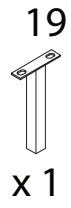
22



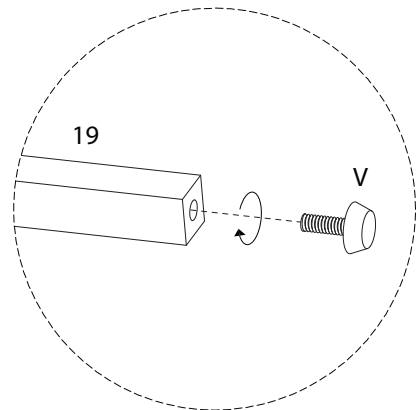
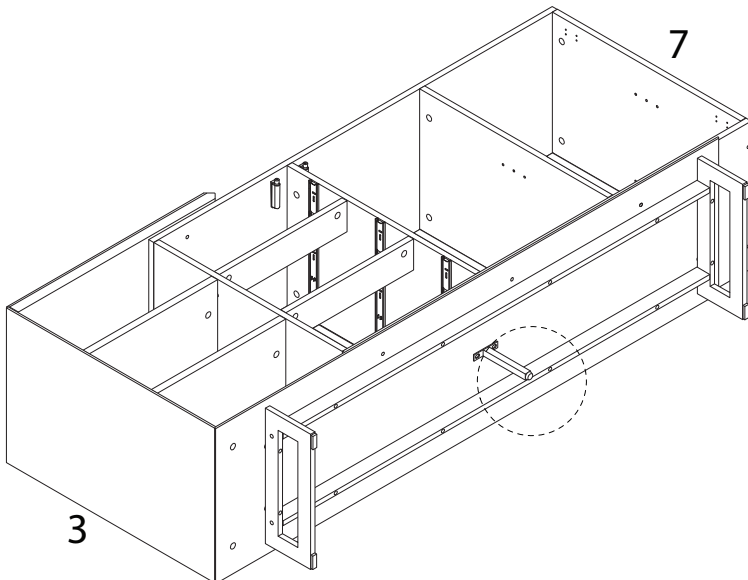
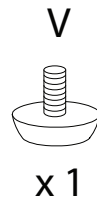
23



24



25

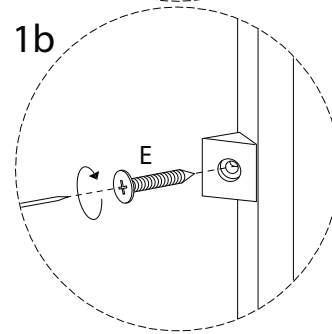
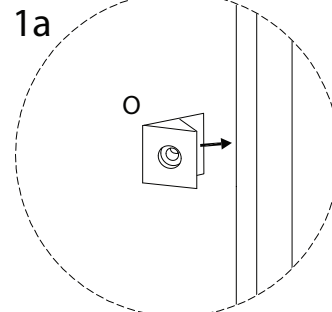
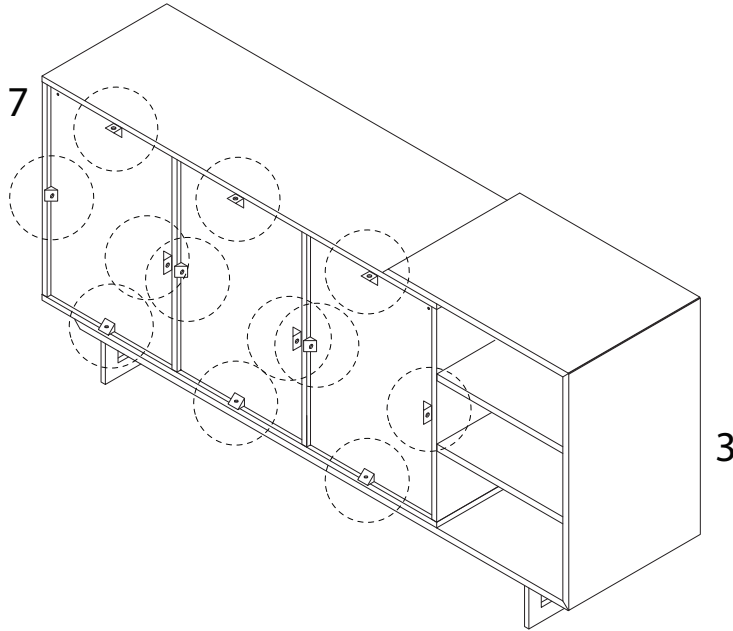


26

E

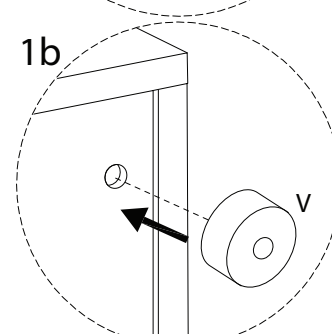
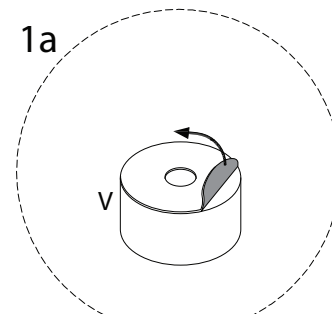
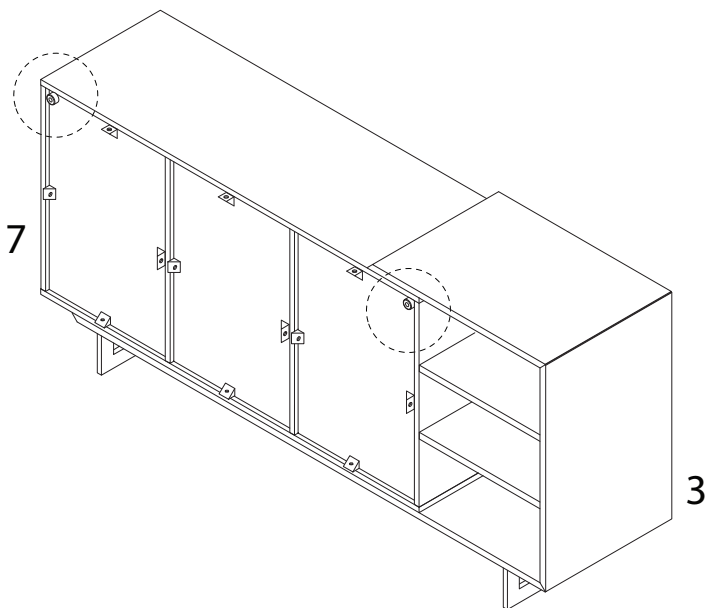


O

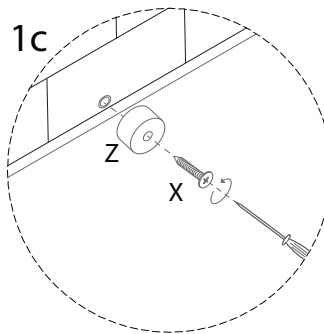
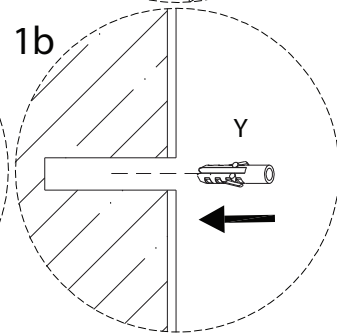
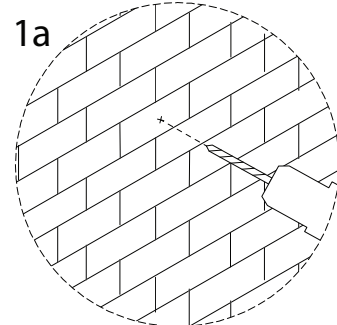
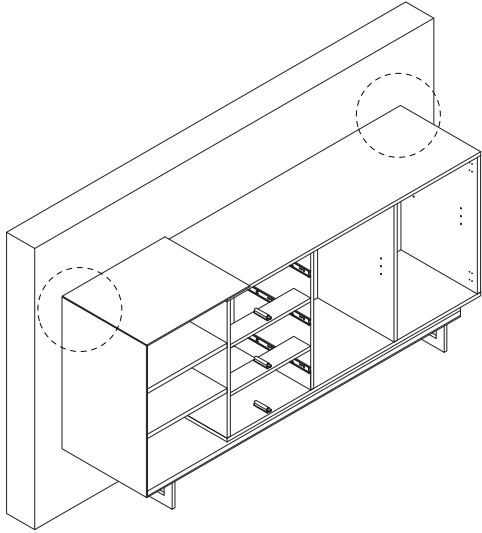
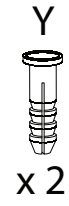
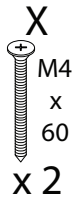


27

Z

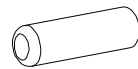


28

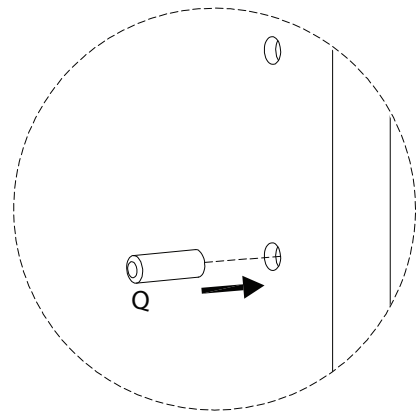
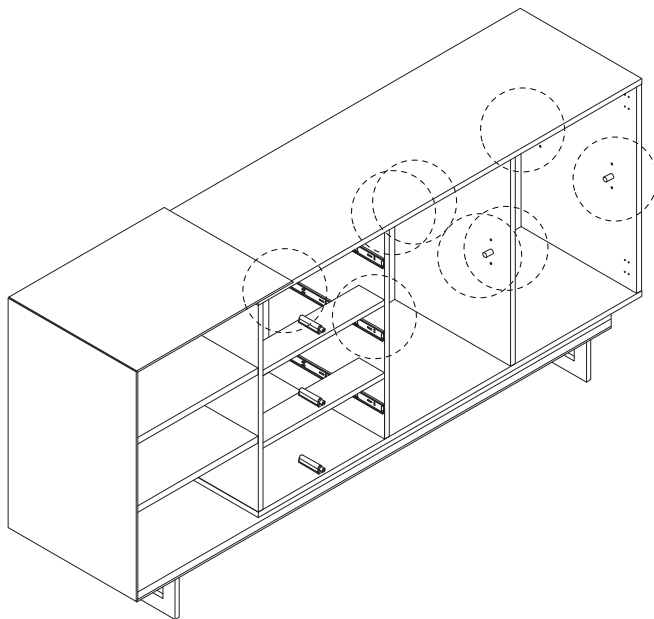


29

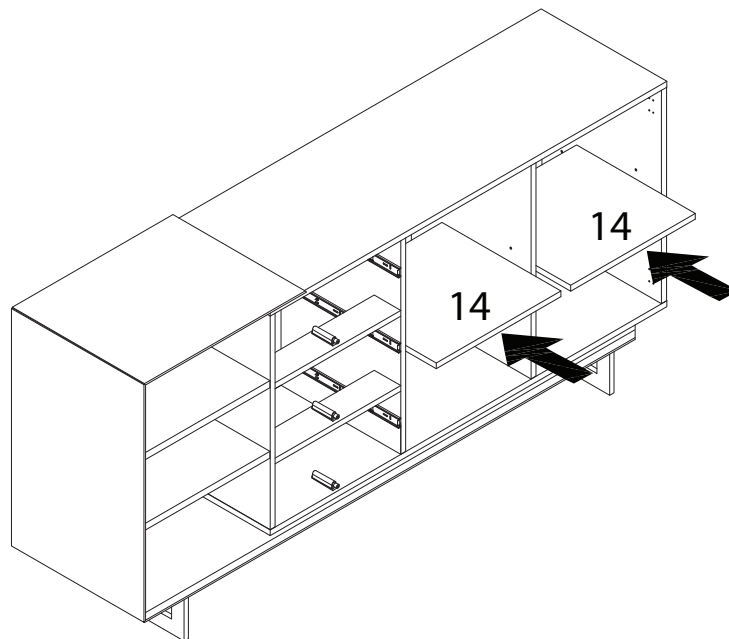
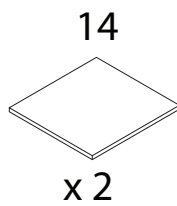
Q



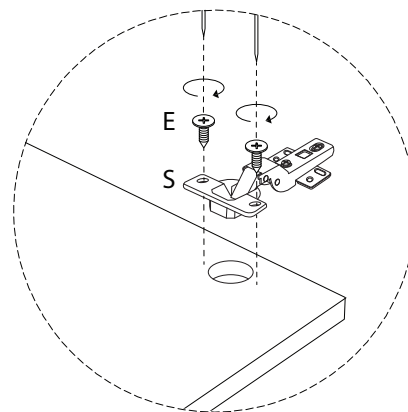
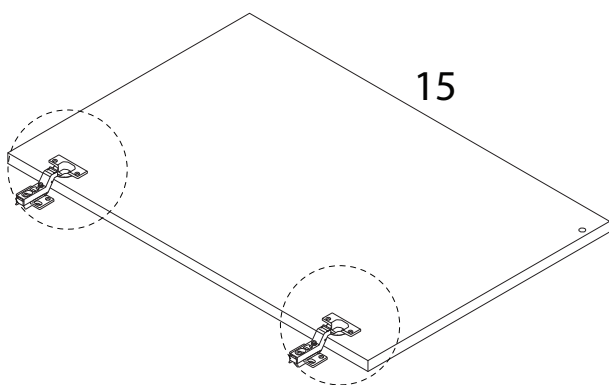
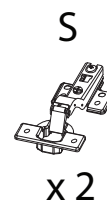
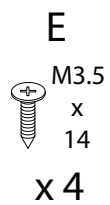
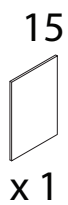
x 8



30

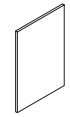


31



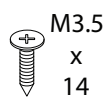
32

16



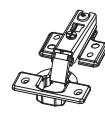
x 1

E

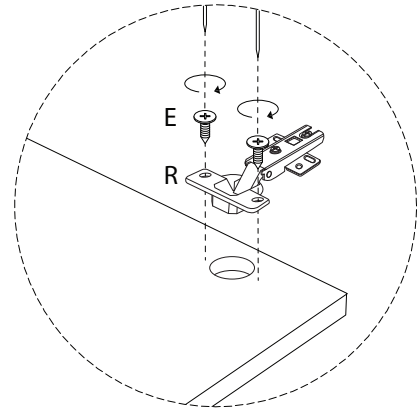
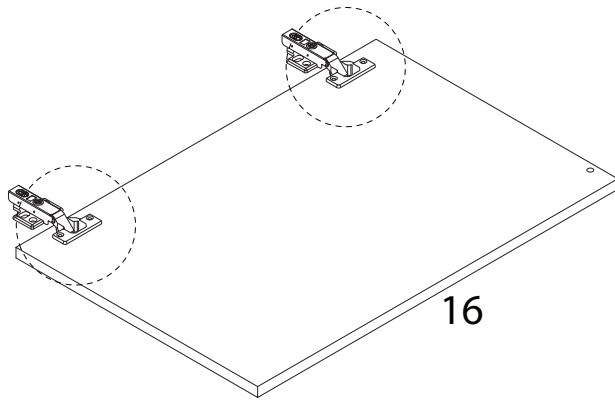


x 4

R

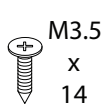


x 2



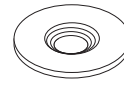
33

E

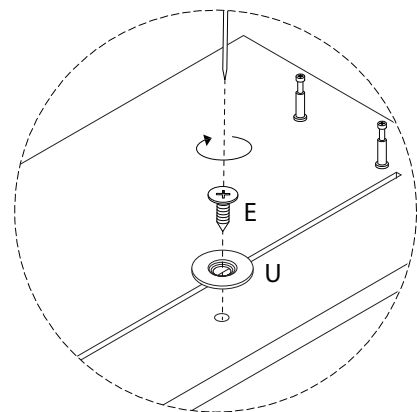
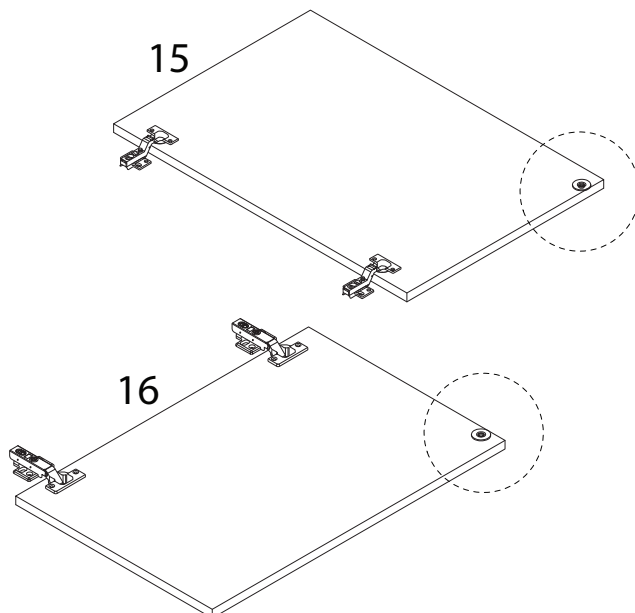


x 2

U

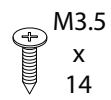


x 2

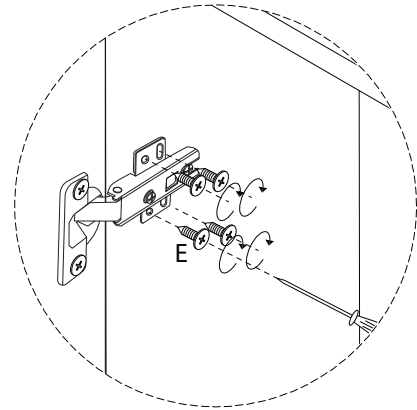
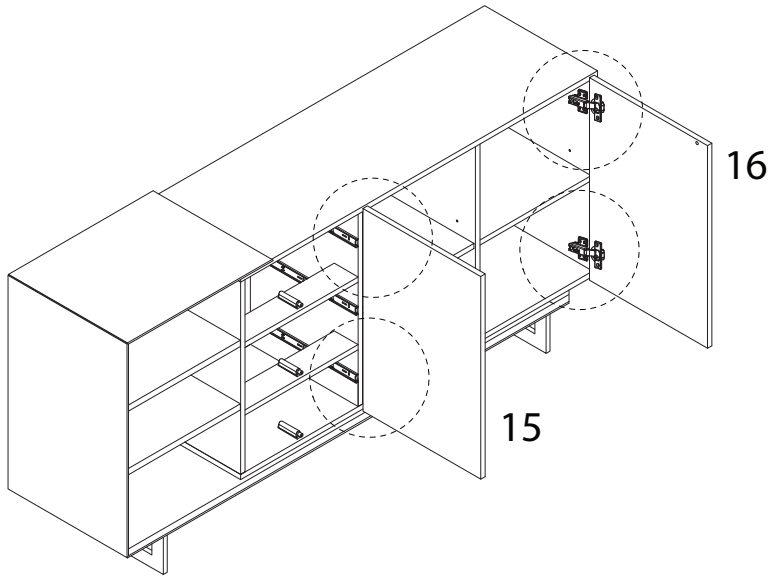


34

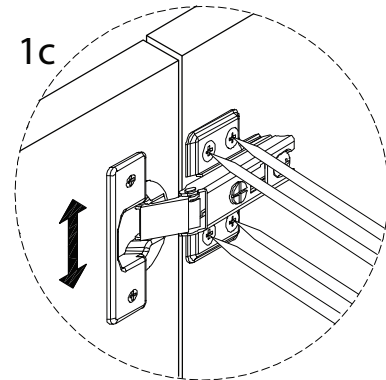
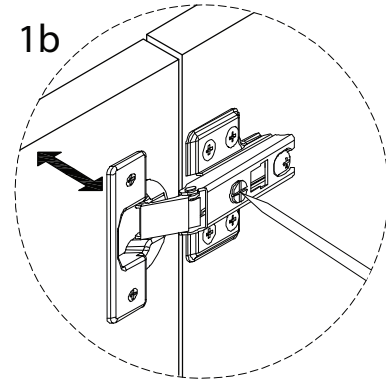
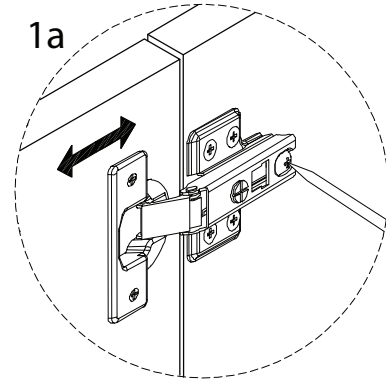
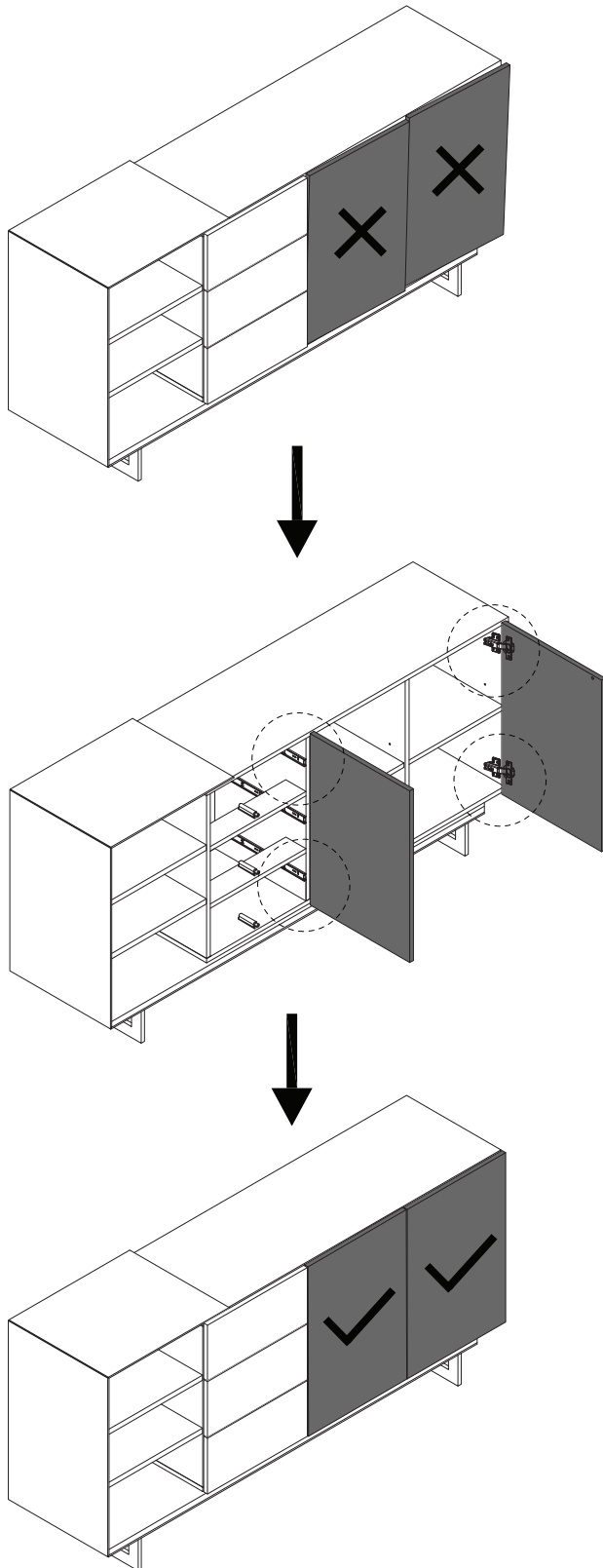
E



x 16

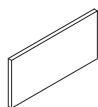


35



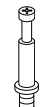
36 x 3

20

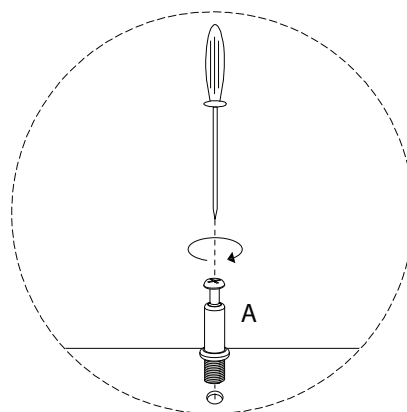
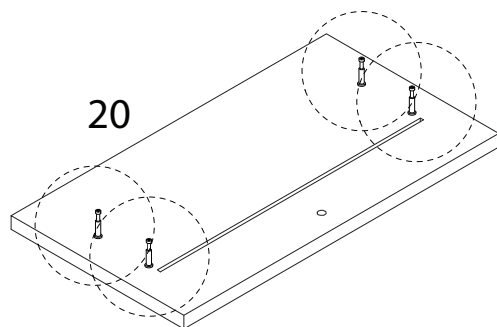


x 1

A

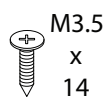


x 4



37 x 3

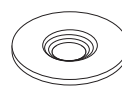
E



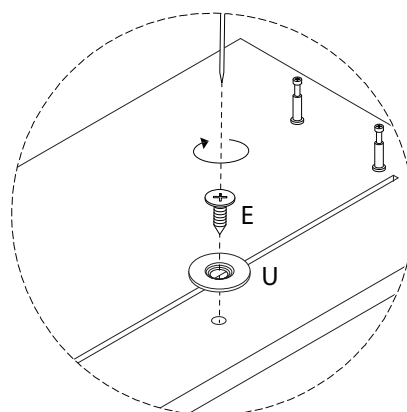
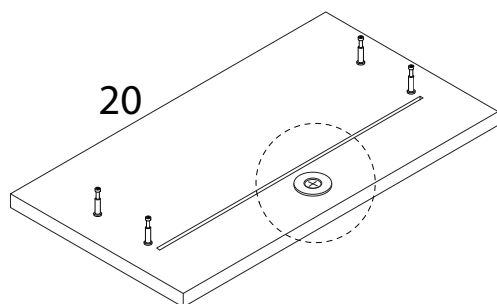
x 14

x 1

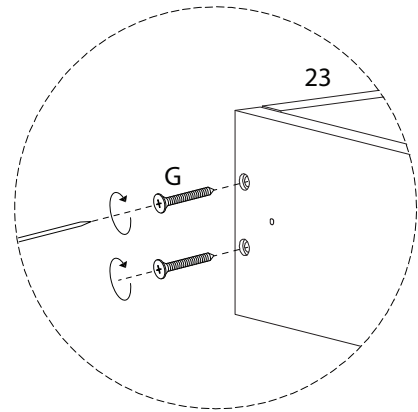
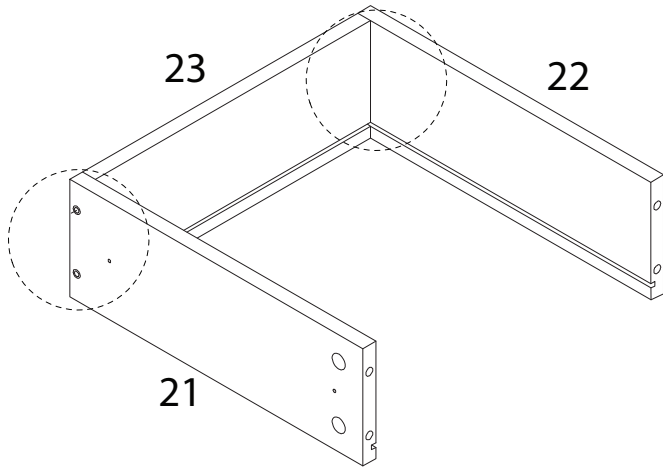
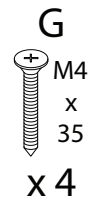
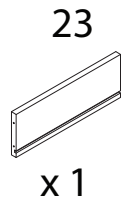
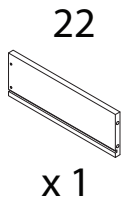
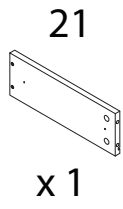
U



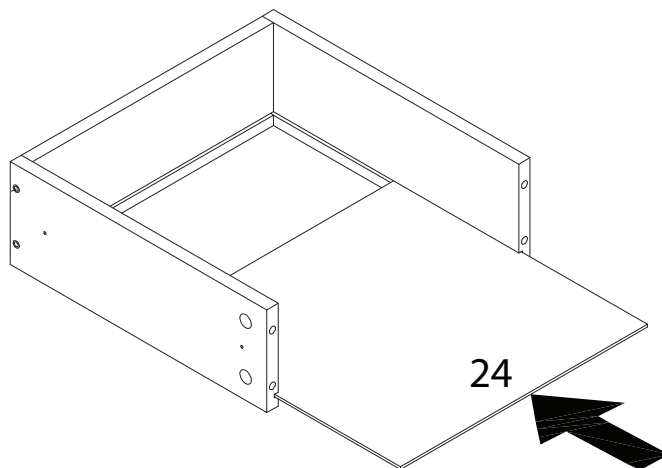
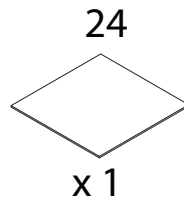
x 1



38 x 3



39 x 3

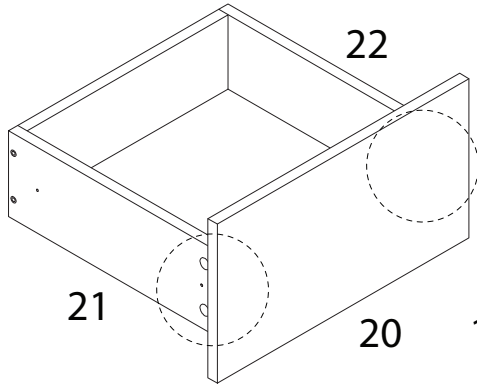


40 x 3

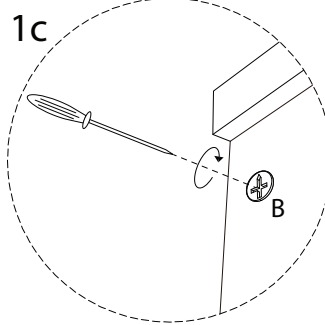
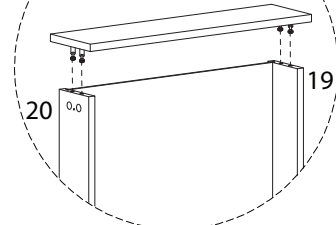
B



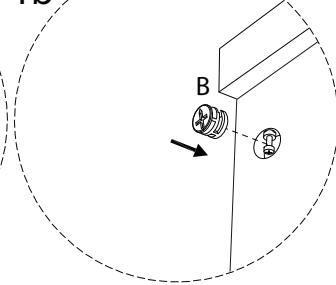
x 4



1a



1b

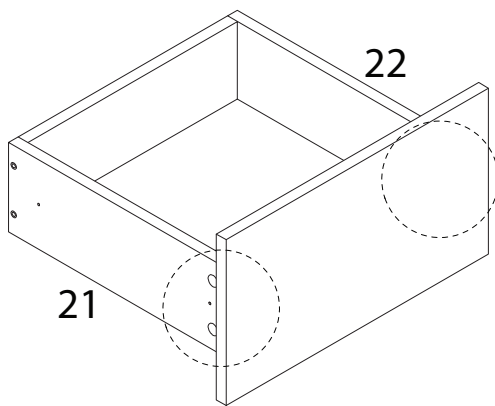


41 x 3

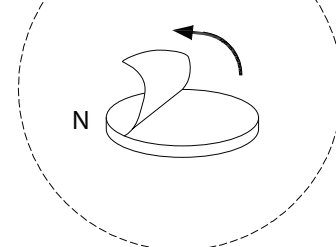
P



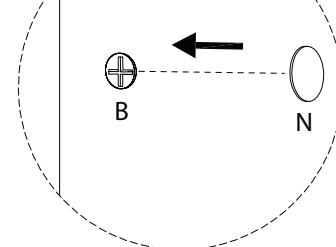
x 4



1a

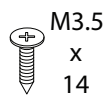


1b



42 x 3

E

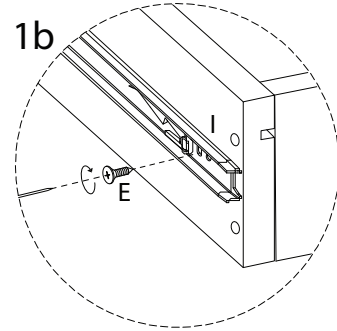
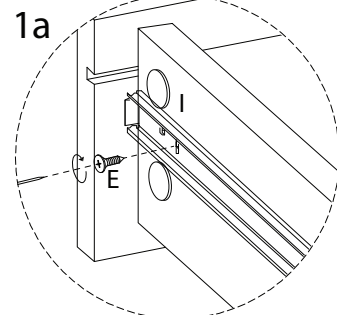
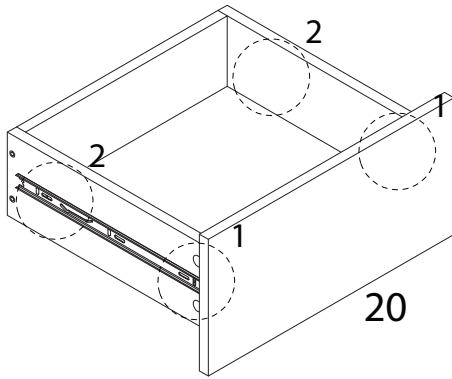


x 4

I



x 2



43

