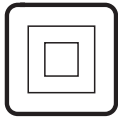
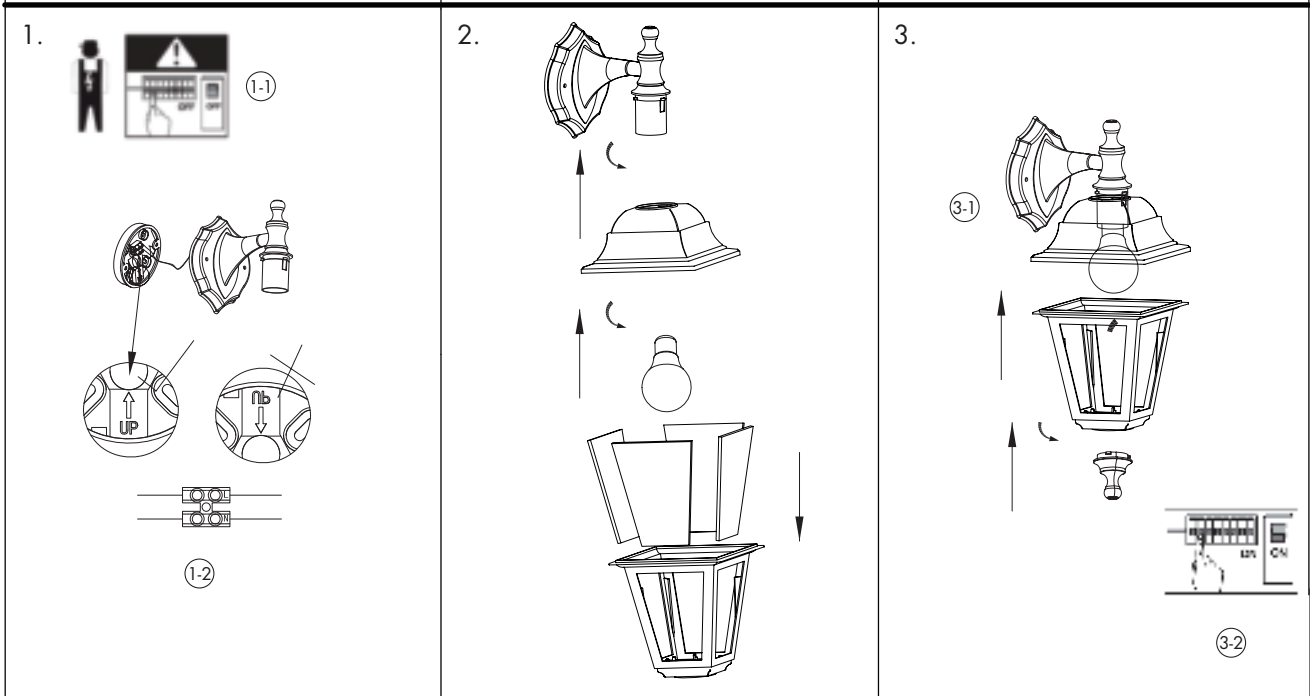
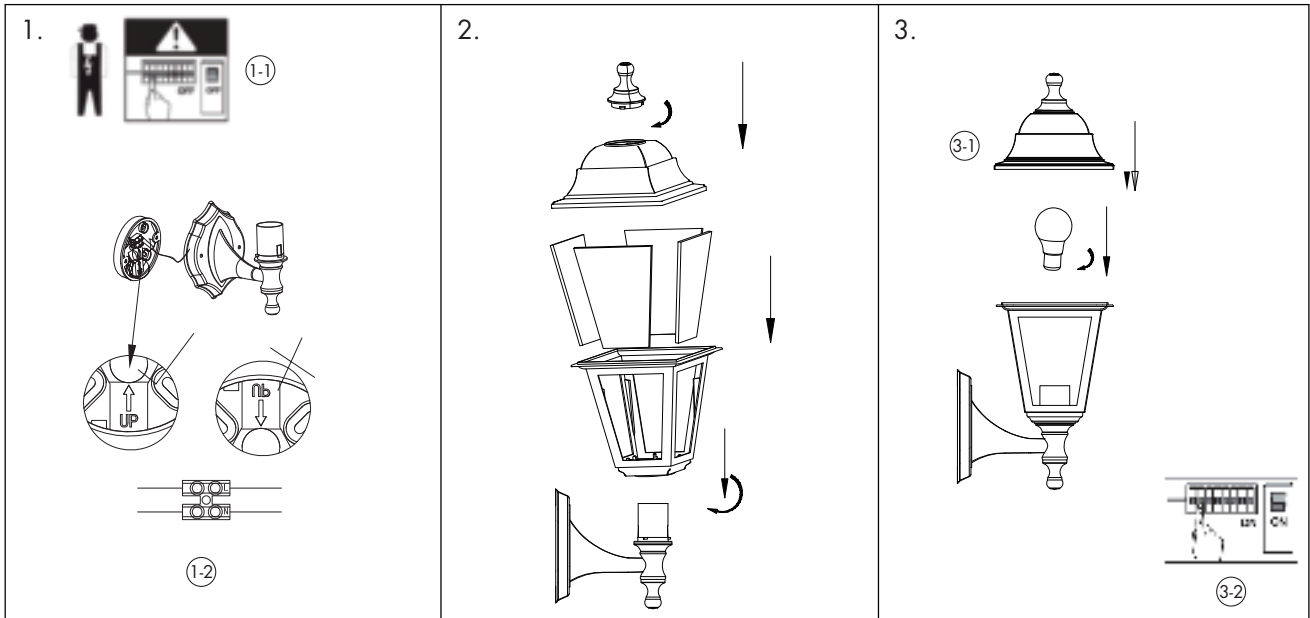


# INSTRUCTION MANUAL



Capital WL  
103208 / 103209



Overall Size:

