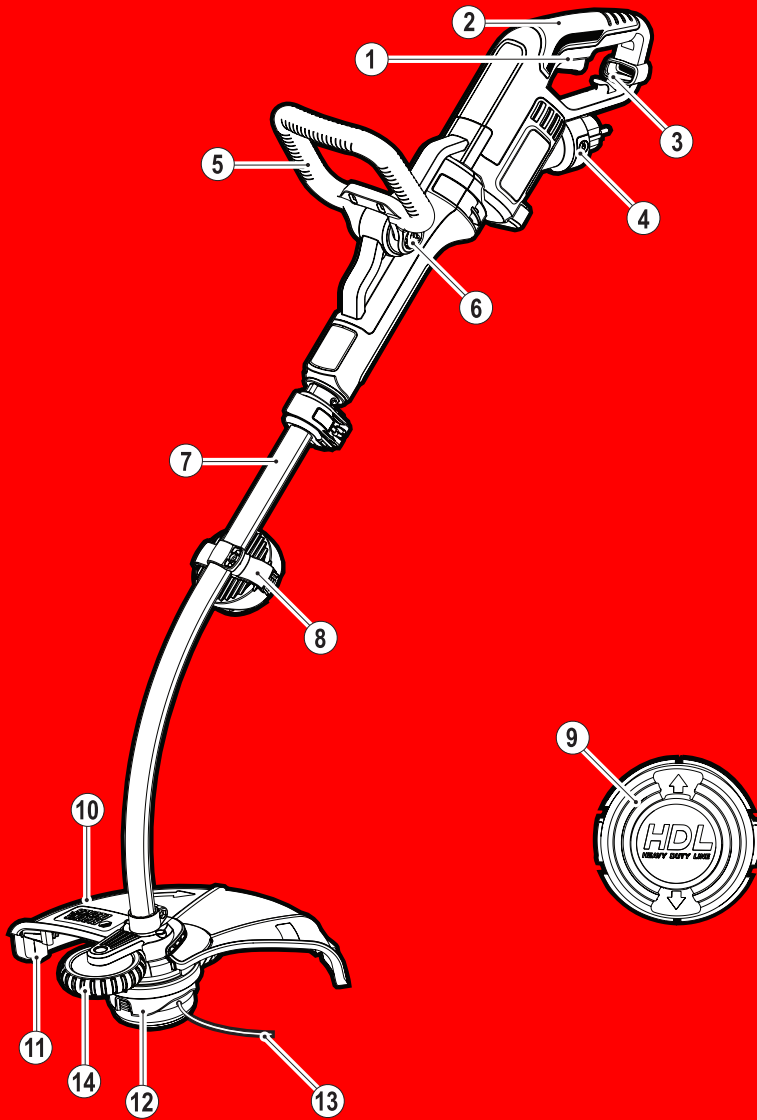


# BLACK & DECKER®



[www.blackanddecker.eu](http://www.blackanddecker.eu)

GL7033  
GL8033  
GL9035

EN

DE

FR

IT

NL

ES

PT

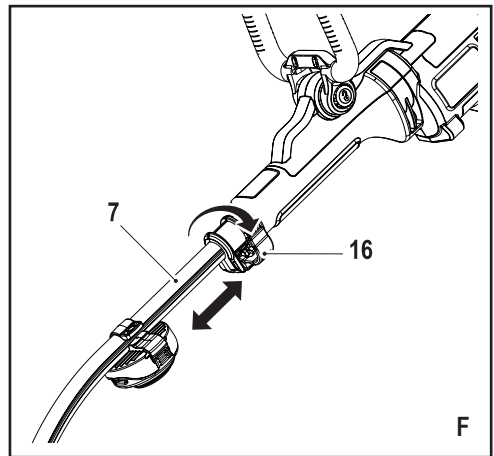
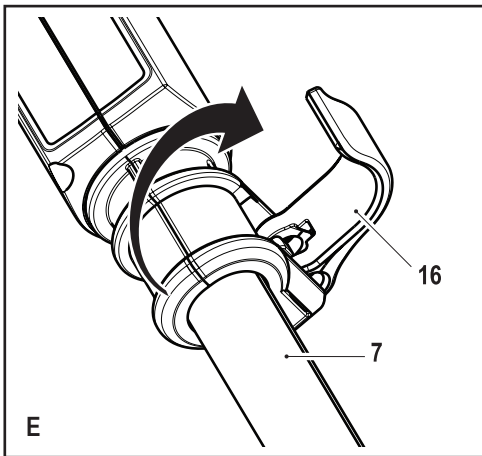
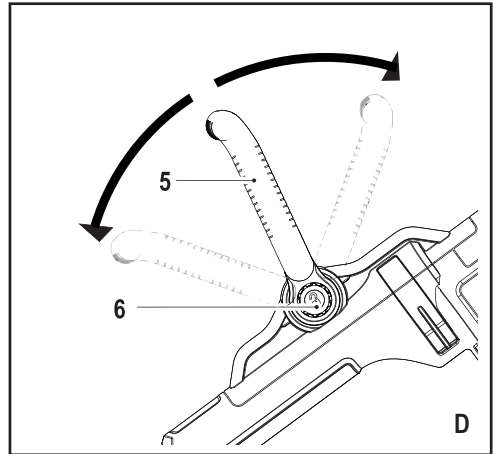
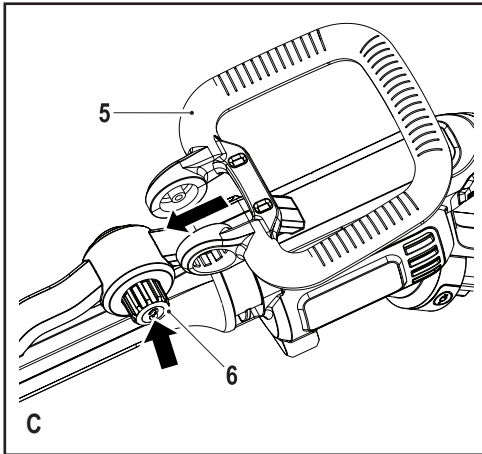
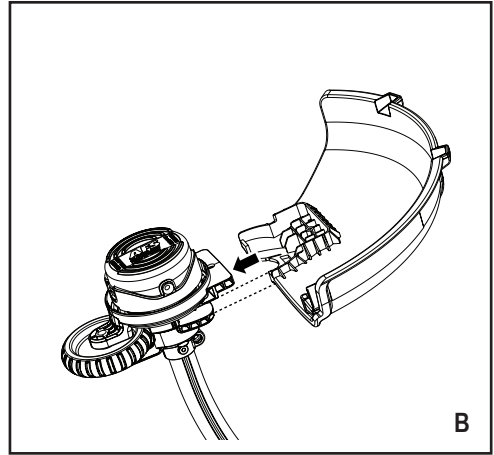
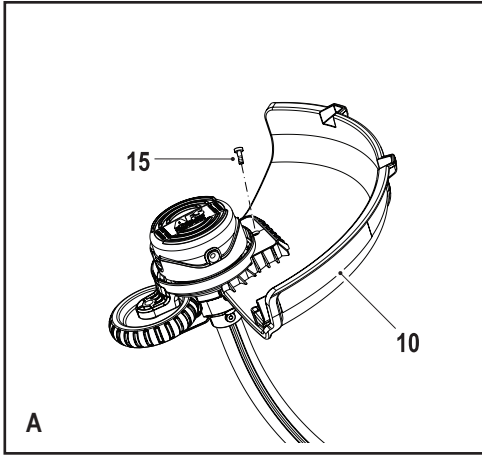
SV

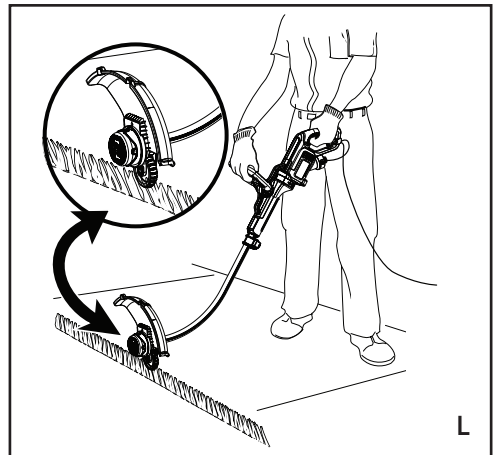
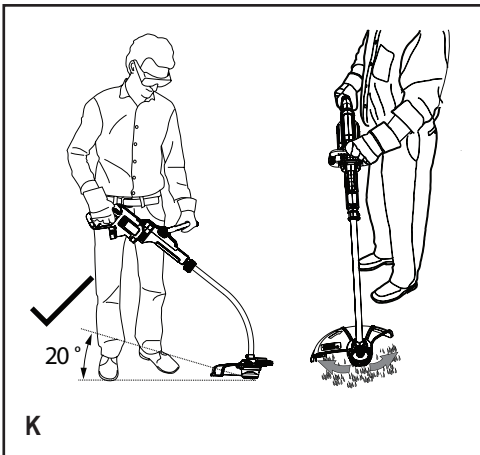
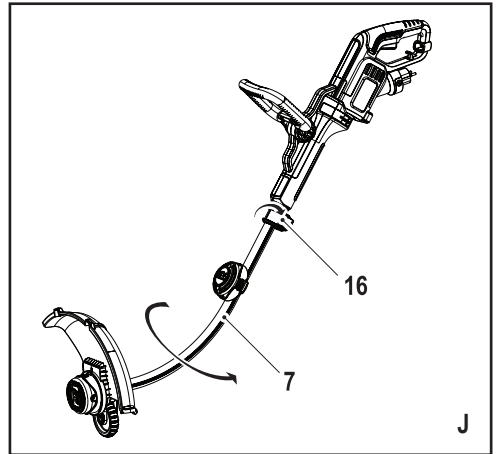
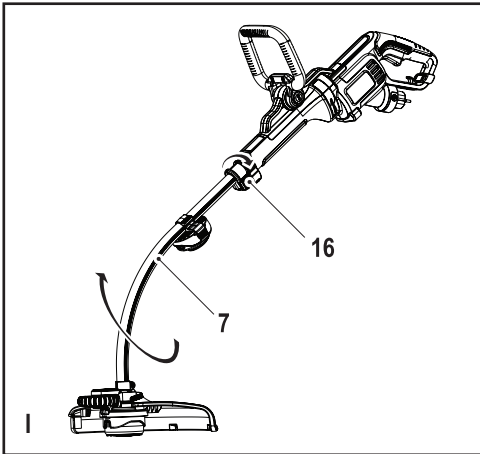
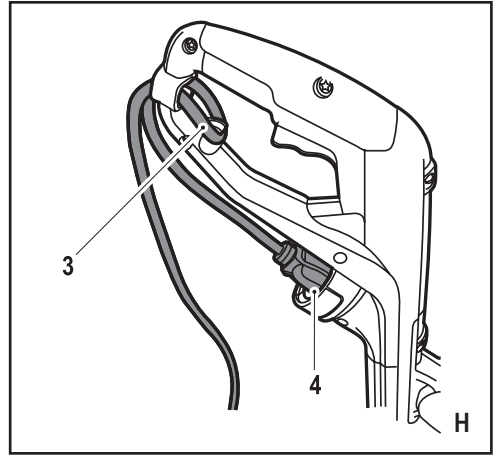
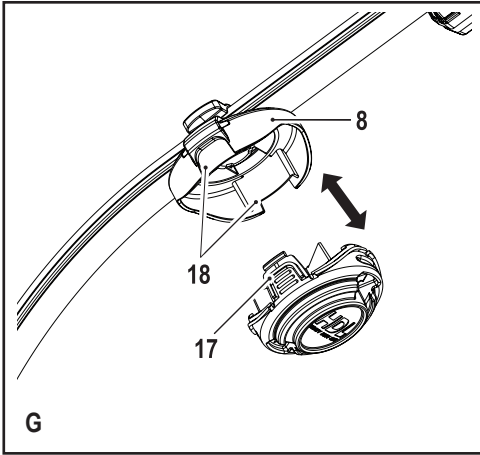
NO

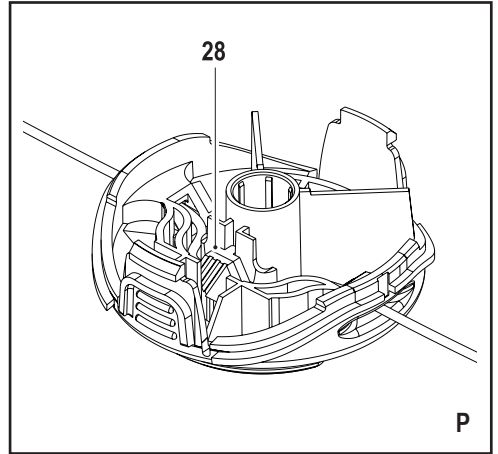
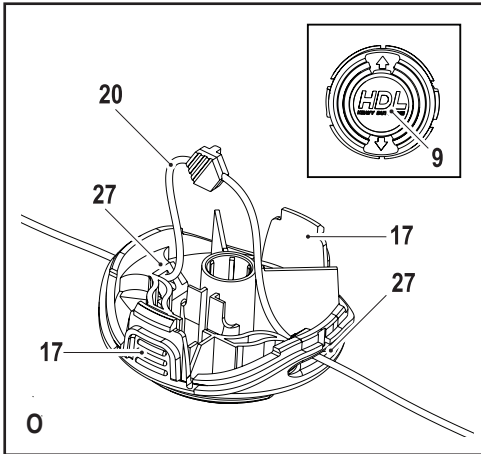
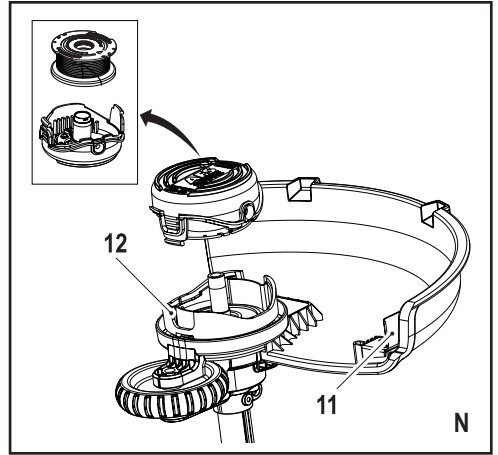
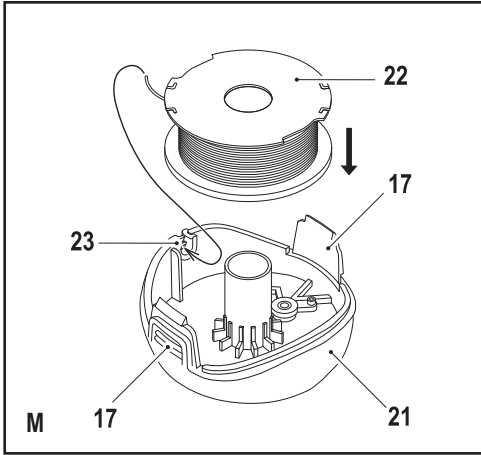
DK

FI

EL







## Intended use

Your Black & Decker trimmer has been designed for trimming and finishing lawn edges and to cut grass in confined spaces. This appliance is intended for consumer use only.

## Safety instructions

**Warning!** When using mains-powered appliances, basic safety precautions, including the following, should always be followed to reduce the risk of fire, electric shock, personal injury and material damage.

**Warning!** When using the machine the safety rules must be followed. For your own safety and bystanders please read these instructions before operating the machine. Please keep the instructions safe for later use.

- ◆ Read all of this manual carefully before operating the appliance.
- ◆ The intended use is described in this manual. The use of any accessory or attachment or the performance of any operation with this appliance other than those recommended in this instruction manual may present a risk of personal injury.
- ◆ Retain this manual for future reference.

## Using your appliance

Always take care when using the appliance.

- ◆ Always use safety glasses or goggles.
- ◆ Never allow children or people unfamiliar with the instructions to use the appliance.
- ◆ Do not allow children or animals to come near the work area or to touch the appliance or power supply cord.
- ◆ Close supervision is necessary when the appliance is used near children.
- ◆ This appliance is not intended for use by young or infirm persons without supervision.
- ◆ This appliance is not to be used as a toy.
- ◆ Only use the appliance in daylight or good artificial light.
- ◆ Use in a dry location only. Do not allow the appliance to become wet.
- ◆ Do not immerse the appliance in water.
- ◆ Do not open the body casing. There are not user-serviceable parts inside.
- ◆ Do not operate the appliance in explosive atmospheres, such as in the presence of flammable liquids, gases or dust.
- ◆ To reduce the risk of damage to plugs or cords, never pull the cable to remove the plug from a socket.

## Safety of others

- ◆ This appliance is not intended for use by persons (including children) with reduced physical, sensory or mental capabilities, or lack of experience and knowledge, unless they have been given supervision or instruction concerning use of the appliance by a person responsible for their safety.
- ◆ Children must be supervised to ensure that they do not play with the appliance.
- ◆ Stop using the machine while people, especially children, or pets are nearby.

## Residual risks.

Additional residual risks may arise when using the tool which may not be included in the enclosed safety warnings. These risks can arise from misuse, prolonged use etc.

Even with the application of the relevant safety regulations and the implementation of safety devices, certain residual risks can not be avoided. These include:

- ◆ Injuries caused by touching any rotating/moving parts.
- ◆ Injuries caused when changing any parts, blades or accessories.
- ◆ Injuries caused by prolonged use of a tool. When using any tool for prolonged periods ensure you take regular breaks.
- ◆ Impairment of hearing.
- ◆ Health hazards caused by breathing dust developed when using your tool (example:- working with wood, especially oak, beech and MDF.)

## After use

- ◆ When not in use, the appliance should be stored in a dry, well ventilated place out of reach of children.
- ◆ Children should not have access to stored appliances.
- ◆ When the appliance is stored or transported in a vehicle it should be placed in the boot or restrained to prevent movement following sudden changes in speed or direction.

## Inspection and repairs

- ◆ Disconnect the machine from the mains before checking, cleaning or working on the machine and when it is in use.
- ◆ Before use, check the appliance for damaged or defective parts. Check for breakage of parts and any other conditions that may affect its operation.
- ◆ Do not use the appliance if any part is damaged or defective.
- ◆ Have any damaged or defective parts repaired or replaced by an authorised repair agent.
- ◆ Never attempt to remove or replace any parts other than those specified in this manual.

## Using an extension cable

Always use an approved extension cable suitable for the power input of this appliance (see technical data). The extension cable must be suitable for outdoor use and marked accordingly. Up to 30 m of 1.5 mm<sup>2</sup> HO5VV-F extension cable can be used without loss of product performance. Before use, inspect the extension cable for signs of damage, wear and ageing. Replace the extension cable if damaged or defective. When using a cable reel, always unwind the cable completely.

## Additional safety instructions for grass trimmers

**Warning!** Cutting elements continue to rotate after the motor is switched off.

- ◆ Be familiar with the controls and the proper use of the appliance.
- ◆ Before use, check the power supply cord and extension cord for signs of damage, ageing and wear. If a cord becomes damaged during use, disconnect the cord from the mains supply immediately. **DO NOT TOUCH THE CORD BEFORE DISCONNECTING THE SUPPLY.**
- ◆ Do not use the appliance if the cords are damaged or worn.
- ◆ Wear stout shoes or boots to protect your feet.
- ◆ Wear long trousers to protect your legs.
- ◆ Before using the appliance, check that your cutting path is free from sticks, stones, wire and any other obstacles.
- ◆ Only use the appliance in the upright position, with the cutting line near the ground. Never switch the appliance on in any other position.
- ◆ Move slowly when using the appliance. Be aware that freshly cut grass is damp and slippery.
- ◆ Do not work on steep slopes. Work across the face of slopes, not up and down.
- ◆ Never cross gravel paths or roads while the appliance is running.
- ◆ Never touch the cutting line while the appliance is running.
- ◆ Do not put the appliance down until the cutting line has come to a complete standstill.
- ◆ Use only the appropriate type of cutting line. Never use metal cutting line or fishing line.
- ◆ Be careful not to touch the line trimming blade.
- ◆ Take care to keep the mains cable away from the cutting line. Always be aware of the position of the cable.
- ◆ Keep hands and feet away from the cutting line at all times, especially when switching on the motor.
- ◆ Before using the appliance and after any impact, check for signs of wear or damage and repair as necessary.
- ◆ Never operate the appliance with damaged guards or without guards in place.
- ◆ Take care against injury from any device fitted for trimming the filament line length. After extending new cutter line always return the machine to its normal operating position before switching on.

- ◆ Always ensure that the ventilation slots are kept clear of debris.
- ◆ Do not use the lawn trimmer (edge trimmer), if the cords are damaged or worn.
- ◆ Keep extension cords away from cutting elements.

## Labels on appliance

The following warning symbols are found on the appliance:



Read the manual prior to operation.



Wear safety glasses or goggles when operating this appliance.



Wear suitable ear protectors when operating this appliance.



Always remove the plug from the socket before inspecting a damaged cable. Do not use your strimmer if the cable is damaged.



Beware of flying objects. Keep bystanders away from the cutting area.



Do not expose the appliance to rain or high humidity.



Directive 2000/14/EC guaranteed sound power.

## Electrical safety



This appliance is double insulated; therefore no earth wire is required. Always check that the power supply corresponds to the voltage on the rating plate.

- ◆ If the supply cord is damaged, it must be replaced by the manufacturer or an authorised Black & Decker Service Centre in order to avoid a hazard.
- ◆ Electric safety can be further improved by using a high-sensitivity 30 mA Residual Current Device (RCD).

## Features

This appliance includes some or all of the following features.

1. On/Off switch
2. Handle
3. Cable restraint
4. Power inlet
5. Secondary handle
6. Adjustment button
7. Tube
8. Spare spool storage
9. HDL cap
10. Guard
11. Line trimming blade
12. Spool housing
13. Cutting line
14. Edge wheel

## Assembly

**Warning!** Before assembly, make sure that the tool is switched off and unplugged.

### Fitting the guard (fig. A & B)

- ◆ Remove the screw (15) from the guard (10).
- ◆ Place the guard (10) onto the tool as shown.
- ◆ Firmly press the guard until it snaps into place.
- ◆ Secure the guard with the screw.
- ◆ Tighten the screw.

**Warning!** Never use the tool unless the guard is properly fitted.

### Attaching the secondary handle (fig. C)

- ◆ Press in and hold the adjustment button (6) on the side of the main body.
- ◆ Slide the secondary handle (5) in place over the adjustment button (6).

**Warning!** Ensure that the teeth on the button are correctly aligned in slots in the handle and that the handle is secure.

### Adjusting the position of the secondary handle (fig. D)

The secondary handle (5) can be adjusted to provide optimum balance and comfort.

- ◆ Press in the adjustment button (6) on the left side of the handle.
- ◆ Rotate the second handle (5) into the required position.
- ◆ Release the adjustment button (6).

**Warning!** Ensure that the teeth on the button are correctly aligned in slots in the handle and that the handle is secure.

## Adjusting the height of the tool (fig. E & F)

This tool has a telescopic mechanism, allowing you to set it to a comfortable height. There are multiple height settings.

To adjust the height setting, proceed as follows:

- ◆ Release the height adjust locking clamp (16).
- ◆ Gently pull the tube (7) up or down to the desired height.
- ◆ Close the height adjust locking clamp (16).

## Releasing the cutting line

In transit, the cutting line is taped to the spool housing.

- ◆ Remove the tape holding the cutting line to the spool housing (12).

## Storing the spool not in use (fig. G)

The tool has two cutting systems:

- ◆ **AFS:** Single line autofeed for light trimming and edging.
- ◆ **HDL:** Heavy Duty Dual Line cutting system for more overgrown areas.

**Note:** The HDL spool may be used in trimming mode only.

The cutting system not in use can be stored in the spare spool storage (GL8033 & GL9035 Only).

- ◆ Align the tabs (17) on the spool cover with the cut outs (18) in the spare spool storage (8).
- ◆ Push the cover onto the spare spool storage until it snaps securely into place.

## Connecting the tool to the mains (fig. H)

- ◆ Connect the female plug of a suitable extension cable to the power inlet (4).
- ◆ Loop the cable through the cable restraint (3).
- ◆ Insert the mains plug into a mains outlet.

For wired in cable units: Make sure the cable is looped through the cable restraint prior to connecting the plug to the mains outlet.

**Warning!** The extension cable must be suitable for outdoor use.

## Use

**Warning!** Let the tool work at its own pace. Do not overload.

## Setting the tool to trimming or edging mode (fig. I & J)

The tool can be used in trimming mode as shown in fig. I or in edging mode to trim overhanging grass along lawn edges and flower beds as shown in fig. J.

### Trimming mode (fig. I)

For trimming, the trimmer head should be in the position shown in fig. I. If it is not:

- ◆ Release the height adjust locking clamp (16).
- ◆ Rotate the tube (7) clockwise.

- ◆ When the head is in position, close the height adjust locking clamp (16).

**Note:** The tube will only rotate in one direction.

**Note:** The HDL spool may be used in trimming mode.

### Edging mode (fig. J)

For edging, the trimmer head should be in the position shown in fig. J. If it is not:

- ◆ Release the height adjust locking clamp (16).
- ◆ Rotate the tube (7) anti-clockwise.
- ◆ When the head is in position, close the height adjust locking clamp (16).

**Note:** The tube will only rotate in one direction.

### Switching on and off

- ◆ To switch the tool on, squeeze the on/off switch (1).
- ◆ To switch the tool off, release the trigger lever.

**Warning!** Never attempt to lock the trigger lever in the on position.

### Hints for optimum use

#### General

- ◆ In order to achieve optimum cutting results, only cut dry grass.

#### Trimming

- ◆ Hold the tool as shown in fig. K.
- ◆ Gently swing the trimmer from side to side.
- ◆ When cutting long grass, work in stages from the top. Take small cuts.
- ◆ Keep the tool away from hard objects and delicate plants.
- ◆ Cutting line will wear faster and require more feeding if the cutting is done along pavements or other abrasive surfaces or heavier weeds are being cut.
- ◆ If the tool starts running slowly, reduce the load.

#### Edging

Optimum cutting results are achieved on edges deeper than 50 mm.

- ◆ Do not use the tool to create edges. To create edges, use an edging spade.
- ◆ Guide the tool on its wheel as shown in fig. L.
- ◆ To make a closer cut, slightly tilt the tool.

### Fitting a new spool of cutting line (fig. M & N)

Replacement spools of cutting line are available from your Black & Decker dealer (cat. no. A6482). Packs containing 3 spools of cutting line are also available (cat. no. A6486).

- ◆ Unplug the tool.
- ◆ Keep the tabs (17) depressed and remove the spool cover (21) from the housing (12) (fig. M).

- ◆ Remove the empty spool (22) from the spool cover.
- ◆ Remove any dirt and grass from the spool cover and housing.
- ◆ Unclip the end of the cutting line and guide the line into the eyelet (23) (fig. M). The line should protrude approx. 11 cm from the spool cover.

**Note:** Take care not to allow the the line on the spool to unravel. Hold it firmly with one hand at all times..

- ◆ Take the new spool and push it onto the boss in the spool cover. Rotate the spool slightly until it is seated.
- ◆ Align the tabs (17) on the spool cover with the cut outs (24) in the housing (12).
- ◆ Push the cover onto the housing until it snaps securely into place.

**Warning!** If the cutting lines protrude beyond the trimming blade (11), cut it off so that it just reaches the blade.

### Fitting a new piece of heavy duty cutting line (fig. O & P)

Replacement packs of 10 heavy duty cutting lines are available from your Black & Decker dealer (cat. no. A6489). To fit a new piece of cutting line, proceed as follows..

- ◆ Unplug the tool.
- ◆ Keep the tabs (17) depressed and remove the HDL cap (9) from the housing (12).
- ◆ Remove any dirt and grass from the HDL cap (9) and housing.
- ◆ Remove the used piece of line from the HDL cap (9).
- ◆ Thread a new piece of line (20) through the eyelets (27) in either side of the HDL cap.
- ◆ Put the central ferrule (28) in the indicated position (Fig. P).
- ◆ Re-fit the HDL cap.

**Warning!** Only use the appropriate type of Black & Decker cutting line.

### Mains plug replacement (U.K. & Ireland only)

If a new mains plug needs to be fitted:

- ◆ Safely dispose of the old plug.
- ◆ Connect the brown lead to the live terminal in the new plug.
- ◆ Connect the blue lead to the neutral terminal.

**Warning!** No connection is to be made to the earth terminal. Follow the fitting instructions supplied with good quality plugs. Recommended fuse: 5 A.



## Troubleshooting

If your tool seems not to operate properly, follow the instructions below. If this does not solve the problem, please contact your local Black & Decker repair agent.

**Warning!** Before proceeding, unplug the tool.

### Tool runs slowly

- ◆ Check that the spool housing can rotate freely. Carefully clean it if necessary.
- ◆ Check that the cutting line does not protrude more than 11 cm from the spool housing. If it does, cut it off so that it just reaches the line trimming blade.

### Automatic line feed does not work

- ◆ Keep the tabs depressed and remove the spool cover from the housing.
- ◆ Pull the cutting line until it protrudes 11 cm from the housing. If insufficient cutting line is left on the spool, install a new spool of cutting line as instructed above.
- ◆ Align the tabs on the spool cover with the cut outs in the housing.
- ◆ Push the cover onto the housing until it snaps securely into place.
- ◆ If the cutting line protrudes beyond the trimming blade, cut it off so that it just reaches the blade.

If the automatic line feed still does not work or the spool is jammed, try the following suggestions:

- ◆ Carefully clean the spool cover and housing.
- ◆ Remove the spool and check if the lever can move freely.
- ◆ Remove the spool and unwind the cutting line, then wind it on neatly again as described above. Replace the spool as instructed.

## Protecting the environment



Separate collection. This product must not be disposed of with normal household waste.

Should you find one day that your Black & Decker product needs replacement, or if it is of no further use to you, do not dispose of it with household waste. Make this product available for separate collection.



Separate collection of used products and packaging allows materials to be recycled and used again. Re-use of recycled materials helps prevent environmental pollution and reduces the demand for raw materials.

Local regulations may provide for separate collection of electrical products from the household, at municipal waste sites or by the retailer when you purchase a new product.

Black & Decker provides a facility for the collection and recycling of Black & Decker products once they have reached the end of their working life. To take advantage of this service please return your product to any authorised repair agent who will collect them on our behalf.

You can check the location of your nearest authorised repair agent by contacting your local Black & Decker office at the address indicated in this manual. Alternatively, a list of authorised Black & Decker repair agents and full details of our after-sales service and contacts are available on the Internet at: [www.2helpU.com](http://www.2helpU.com)

## Technical data

		GL7033 (Type 1)	GL8033 (Type 1)	GL9035 (Type 1)
Voltage	$V_{AC}$	230	230	230
Power input	W	700	800	900
No-load speed	$\text{min}^{-1}$	7000	7000	7000
Weight	kg	3.2	3.2	3.2

### Level of sound pressure:

Sound pressure ( $L_{pA}$ ) 80 dB(A), uncertainty (K) 2 dB(A)

Sound power ( $L_{WA}$ ) 94 dB(A), uncertainty (K) 2 dB(A)

### Vibration total values (triax vector sum) according to EN 786:

Vibration emission value ( $a_{hv}$ ) 8.2  $\text{m/s}^2$ , uncertainty (K) 1.5  $\text{m/s}^2$

**EC declaration of conformity**

MACHINERY DIRECTIVE  
OUTDOOR NOISE DIRECTIVE



GL7033/GL8033/GL9035

Black & Decker declares that these products described under "technical data" are in compliance with:

2006/42/EC, EN 60335-1, EN 60335-2-91

2000/14/EC, Lawn Trimmer,  $L \leq 50$  cm, Annex VIII

KEMA Quality B.V., Utrechtseweg 310, 6802 ED Arnhem,  
The Netherlands

Notified Body ID No.: 0344

Level of sound power according to 2000/14/EC

(Article 12, Annex III,  $L \leq 50$  cm):

LWA (measured sound power) 94 dB(A)

uncertainty (K) = 2 dB(A)

LWA (guaranteed sound power) 96 dB(A)

uncertainty (K) = 2 dB(A)

These products also comply with directive 2004/108/EC and 2011/65/EU.

For more information, please contact Black & Decker at the following address or refer to the back of the manual.

The undersigned is responsible for compilation of the technical file and makes this declaration on behalf of Black & Decker.

Kevin Hewitt

Vice-President Global Engineering

Black & Decker Europe, 210 Bath Road, Slough,  
Berkshire, SL1 3YD

United Kingdom

17/10/2012

**Guarantee**

Black & Decker is confident of the quality of its products and offers an outstanding guarantee. This guarantee statement is in addition to and in no way prejudices your statutory rights. The guarantee is valid within the territories of the Member States of the European Union and the European Free Trade Area.

If a Black & Decker product becomes defective due to faulty materials, workmanship or lack of conformity, within 24 months from the date of purchase, Black & Decker guarantees to replace defective parts, repair products subjected to fair wear and tear or replace such products to ensure minimum inconvenience to the customer unless:

- ◆ The product has been used for trade, professional or hire purposes;
- ◆ The product has been subjected to misuse or neglect;
- ◆ The product has sustained damage through foreign objects, substances or accidents;
- ◆ Repairs have been attempted by persons other than authorised repair agents or Black & Decker service staff.

To claim on the guarantee, you will need to submit proof of purchase to the seller or an authorised repair agent. You can check the location of your nearest authorised repair agent by contacting your local Black & Decker office at the address indicated in this manual. Alternatively, a list of authorised Black & Decker repair agents and full details of our after-sales service and contacts are available on the Internet at: [www.2helpU.com](http://www.2helpU.com)

Please visit our website [www.blackanddecker.co.uk](http://www.blackanddecker.co.uk) to register your new Black & Decker product and to be kept up to date on new products and special offers. Further information on the Black & Decker brand and our range of products is available at [www.blackanddecker.co.uk](http://www.blackanddecker.co.uk)

## Bestimmungsgemäße Verwendung

Ihr Black & Decker Rasentrimmer wurde für das Trimmen und Zuschneiden von Rasenkanten sowie für das Schneiden von Gras in beengten Platzverhältnissen entwickelt. Dieses Gerät ist nicht für den gewerblichen Einsatz vorgesehen.

## Sicherheitshinweise

**Achtung!** Beachten Sie beim Umgang mit netzstrombetriebenen Geräten stets die grundlegenden Sicherheitshinweise, die im Folgenden beschrieben werden. Dadurch verhindern Sie Brände, Stromschläge sowie Sach- und Personenschäden.

**Achtung!** Beachten Sie beim Verwenden des Geräts unbedingt die Sicherheitsregeln. Lesen Sie zu Ihrer eigenen Sicherheit und zum Schutz in der Nähe befindlicher Personen vor Gebrauch des Geräts die folgende Bedienungsanleitung. Heben Sie diese Anleitung zur späteren Verwendung gut auf.

- ◆ Lesen Sie diese Anleitung vollständig und aufmerksam durch, bevor Sie das Gerät verwenden.
- ◆ Der vorgesehene Verwendungszweck ist in dieser Anleitung beschrieben. Bei Verwendung von Zubehör oder Umbauteilen, die nicht in dieser Anleitung empfohlen werden, sowie bei der Verwendung des Geräts in Abweichung von den in dieser Anleitung beschriebenen Verfahren besteht Verletzungsgefahr.
- ◆ Bewahren Sie diese Anleitung auf.

## Verwendung des Geräts

Verwenden Sie das Gerät stets mit Umsicht.

- ◆ Tragen Sie stets eine Schutzbrille.
- ◆ Das Gerät darf nicht von Kindern und Personen genutzt werden, die die vorliegenden Anleitungen nicht gelesen haben.
- ◆ Achten Sie darauf, dass sich im Arbeitsbereich keine Kinder oder Tiere aufhalten. Verhindern Sie, dass Kinder das Gerät oder das Netzkabel berühren.
- ◆ Seien Sie besonders vorsichtig, wenn Sie das Gerät in der Nähe von Kindern verwenden.
- ◆ Das Gerät ist nicht für die unbeaufsichtigte Verwendung durch Kinder oder gebrechliche Personen vorgesehen.
- ◆ Das Gerät ist kein Spielzeug.
- ◆ Betreiben Sie das Gerät nur bei Tageslicht oder bei ausreichender Beleuchtung.
- ◆ Verwenden Sie das Gerät nur in trockener Umgebung. Achten Sie darauf, dass das Gerät nicht nass wird.
- ◆ Tauchen Sie das Gerät nicht in Wasser.
- ◆ Versuchen Sie nicht, das Gehäuse zu öffnen. Im Inneren befinden sich keine zu wartenden Teile.
- ◆ Betreiben Sie das Gerät nicht in explosionsgefährdeter Umgebung, in der sich brennbare Flüssigkeiten, Gase oder Staub befinden.

- ◆ Ziehen Sie niemals am Kabel, wenn Sie den Stecker aus der Steckdose ziehen möchten. Kabel und Stecker könnten sonst beschädigt werden.

## Sicherheit anderer Personen

- ◆ Dieses Gerät darf nicht von Personen (einschließlich Kindern) mit eingeschränkten körperlichen, sensorischen oder geistigen Fähigkeiten sowie mangelnder Erfahrung und Kenntnissen bedient werden, es sei denn, sie werden bei der Verwendung des Geräts von einer erfahrenen Person beaufsichtigt oder angeleitet.
- ◆ Kinder müssen beaufsichtigt werden, um sicherzustellen, dass sie nicht mit dem Gerät spielen.
- ◆ Stoppen Sie die Maschine, während die Menschen, insbesondere Kinder, oder Haustiere in der Nähe sind.

## Restrisiken.

Für den Gebrauch dieses Geräts verbleiben zusätzliche Restrisiken, die möglicherweise nicht in den Sicherheitswarnungen genannt werden. Diese Risiken bestehen beispielsweise bei Missbrauch oder längerem Gebrauch.

Auch bei der Einhaltung der entsprechenden Sicherheitsvorschriften und der Verwendung aller Sicherheitsgeräte bestehen weiterhin bestimmte Restrisiken. Diese werden im Folgenden aufgeführt:

- ◆ Das Berühren von sich drehenden/bewegenden Teilen kann Verletzungen zur Folge haben.
- ◆ Der Austausch von Teilen, Messern oder Zubehör kann Verletzungen zur Folge haben.
- ◆ Der längere Gebrauch eines Geräts kann Verletzungen zur Folge haben. Legen Sie bei längerem Gebrauch regelmäßige Pausen ein.
- ◆ Beeinträchtigung des Gehörs.
- ◆ Gesundheitsrisiken durch das Einatmen von Staub beim Verwenden des Geräts (beispielsweise bei Holzarbeiten, insbesondere Eiche, Buche und Pressspan).

## Nach dem Gebrauch

- ◆ Bewahren Sie das Gerät bei Nichtgebrauch an einem trockenen, gut belüfteten Ort außerhalb der Reichweite von Kindern auf.
- ◆ Kinder sollten keinen Zugang zu aufbewahrten Geräten haben.
- ◆ Wenn das Gerät in einem Fahrzeug transportiert oder gelagert wird, bewahren Sie es im Kofferraum oder einer geeigneten Ablage auf, damit es bei plötzlichen Geschwindigkeits- oder Richtungsänderungen nicht in Bewegung geraten kann.

## Inspektion und Reparaturen

- ◆ Trennen Sie das Gerät vom Netz, bevor überprüfen, reinigen oder Arbeiten an der Maschine, und wenn es in Gebrauch ist.

- ◆ Prüfen Sie das Gerät vor der Verwendung auf beschädigte oder defekte Teile. Prüfen Sie, ob Teile beschädigt sind oder andere Bedingungen vorliegen, die die Funktion beeinträchtigen können.
- ◆ Betreiben Sie das Gerät nicht, wenn ein Teil beschädigt oder defekt ist.
- ◆ Lassen Sie beschädigte oder defekte Teile in einer Werkstatt reparieren oder austauschen.
- ◆ Ersetzen oder entfernen Sie keine Teile, für die in dieser Anleitung keine entsprechende Beschreibung enthalten ist.

### Verwenden eines Verlängerungskabels

Verwenden Sie ausschließlich geprüfte Verlängerungskabel, die für die Leistungsaufnahme dieses Geräts ausgelegt sind (siehe "Technische Daten"). Das Verlängerungskabel muss für die Verwendung im Außenbereich geeignet und entsprechend markiert sein. Es kann ein 1,5 mm<sup>2</sup>-H05VV-F-Verlängerungskabel mit einer Länge von bis zu 30 m verwendet werden, ohne dass die Leistung des Geräts beeinträchtigt wird. Prüfen Sie vor der Inbetriebnahme das Netzkabel auf Verschleiß und Beschädigungen. Wechseln Sie beschädigte oder fehlerhafte Verlängerungskabel aus. Beim Verwenden einer Kabeltrommel muss das Kabel stets vollständig abgewickelt sein.

### Zusätzliche Sicherheitshinweise für Rasentrimmer

**Achtung!** Die Schneidevorrichtung rotiert nach Abschalten des Geräts einige Sekunden lang weiter.

- ◆ Machen Sie sich mit den Bedienelementen und dem ordnungsgemäßen Gebrauch des Geräts vertraut.
- ◆ Prüfen Sie vor der Inbetriebnahme Netz- und Verlängerungskabel auf Beschädigungen und Verschleiß. Trennen Sie das Gerät sofort vom Stromnetz, wenn ein Kabel während des Betriebs beschädigt wird. **BERÜHREN SIE DAS KABEL NICHT, SOLANGE DER STECKER NOCH IN DER NETZSTECKDOSE STECKT.**
- ◆ Verwenden Sie das Gerät nicht, wenn die Kabel beschädigt oder abgenutzt sind.
- ◆ Tragen Sie stabile Schuhe oder Stiefel, um Ihre Füße zu schützen.
- ◆ Tragen Sie lange Hosen, um Ihre Beine zu schützen.
- ◆ Vergewissern Sie sich vor Verwenden des Geräts, dass die zu beschneidende Fläche frei von Ästen, Steinen, Draht und anderen Objekten ist.
- ◆ Verwenden Sie das Gerät ausschließlich in aufrechter Stellung und mit Schneidfaden in Bodennähe. Schalten Sie das Gerät keinesfalls in einer anderen Stellung ein.
- ◆ Achten Sie bei Verwendung des Geräts auf langsame Bewegungen. Bedenken Sie, dass frisch gemähtes Gras feucht und rutschig sein kann.

- ◆ Arbeiten Sie nie an steilen Hängen. Schieben Sie das Gerät immer parallel zum Hang, nie den Hang hinauf oder hinunter.
- ◆ Schalten Sie das Gerät vor dem Überqueren von Kieswegen und Straßen aus.
- ◆ Berühren Sie niemals den Schneidfaden, während sich das Gerät in Betrieb befindet.
- ◆ Warten Sie stets, bis der Schneidfaden vollständig zum Stillstand gekommen ist, bevor Sie das Gerät absetzen.
- ◆ Verwenden Sie ausschließlich geeignete Schneidfäden. Verwenden Sie keinesfalls Schneidfäden aus Metall oder Angelschnur.
- ◆ Berühren Sie auf keinen Fall das Fadenschneidmesser.
- ◆ Achten Sie darauf, dass das Stromkabel nicht in die Nähe des Schneidfadens gerät. Achten Sie stets auf die Lage des Stromkabels.
- ◆ Halten Sie Hände und Füße stets vom Schneidfaden fern, insbesondere beim Einschalten des Geräts.
- ◆ Überprüfen Sie das Gerät vor Gebrauch und nach Stößen auf Beschädigungen und Verschleiß, und veranlassen Sie notwendige Reparaturmaßnahmen.
- ◆ Betreiben Sie keinesfalls das Gerät, wenn die Schutzeinrichtungen beschädigt oder nicht ordnungsgemäß angebracht sind.
- ◆ Schützen Sie sich vor Verletzungen beim Verwenden von Geräten zum Verkürzen des Schneidfadens. Bringen Sie nach Herausziehen des neuen Schneidfadens das Gerät vor dem Einschalten in die normale Betriebsposition.
- ◆ Stellen Sie stets sicher, dass die Lüftungsschlitze frei von Verschmutzungen sind.
- ◆ Verwenden Sie den Rasentrimmer (Kantentrimmer) nicht, wenn die Kabel beschädigt oder abgenutzt sind.
- ◆ Halten Sie Verlängerungskabel von der Schneidevorrichtung fern.

### Warnsymbole am Gerät

Am Gerät sind die folgenden Warnsymbole angebracht:



Lesen Sie vor Inbetriebnahme die Bedienungsanleitung.



Tragen Sie eine Schutzbrille, wenn Sie mit dem Gerät arbeiten.



Tragen Sie einen geeigneten Gehörschutz, wenn Sie mit dem Gerät arbeiten.



Ziehen Sie stets den Stecker aus der Netzsteckdose, bevor Sie das Kabel auf Schäden überprüfen. Verwenden Sie den Rasentrimmer auf keinen Fall, wenn das Kabel beschädigt ist.



Achten Sie auf Gegenstände, die eventuell umhergeschleudert werden. Halten Sie andere Personen vom Arbeitsbereich fern.



Schützen Sie das Gerät vor Feuchtigkeit und Regen.



Garantierter Schalldruckpegel, gemessen nach Richtlinie 2000/14/EG.

## Elektrische Sicherheit



Dieses Gerät ist schutzisoliert, daher ist keine Masseleitung erforderlich. Überprüfen Sie stets, ob die Netzspannung der auf dem Typenschild des Geräts angegebenen Spannung entspricht.

- ◆ Ist das Netzkabel beschädigt, muss es durch den Hersteller oder eine Black & Decker Vertragswerkstatt ausgetauscht werden, um eine mögliche Gefährdung zu vermeiden.
- ◆ Die Verwendung eines Fehlerstromschutzschalters (30 mA) erhöht die elektrische Sicherheit.

## Merkmale

Dieses Gerät verfügt über einige oder alle der folgenden Merkmale:

1. Ein-/Ausschalter
2. Griff
3. Kabelhalterung
4. Netzanschluss
5. Zusatzgriff
6. Einstelltaste
7. Rohr
8. Ersatzspulenhalterung
9. HDL-Schneidfadenspule
10. Schutzvorrichtung
11. Fadenschneidemesser
12. Spulengehäuse
13. Schneidfaden
14. Kantenrad

## Montage

**Achtung!** Vergewissern Sie sich vor der Montage, dass das Gerät ausgeschaltet ist und der Netzstecker gezogen wurde.

### Anbringen der Schutzvorrichtung (Abb. A und B)

- ◆ Entfernen Sie die Schraube (15) von der Schutzvorrichtung (10).
- ◆ Bringen Sie die Schutzvorrichtung (10) wie dargestellt am Gerät an.
- ◆ Drücken Sie die Schutzvorrichtung in ihre Position, bis sie einrastet.
- ◆ Fixieren Sie die Schutzvorrichtung mit der Schraube.
- ◆ Ziehen Sie die Schraube fest.

**Achtung!** Verwenden Sie das Gerät ausschließlich mit ordnungsgemäß angebrachter Schutzvorrichtung.

### Anbringen des Zusatzgriffs (Abb. C)

- ◆ Drücken und halten Sie die Einstelltaste (6) an der Seite des Gerätegehäuses.
- ◆ Schieben Sie den Zusatzgriff (5) über die Einstelltaste (6) in Position.

**Achtung!** Achten Sie darauf, dass die Zähne an der Taste entsprechend den Schlitzern am Griff ausgerichtet sind und dass der Griff sicher angebracht ist.

### Einstellen der Position des Zusatzgriffs

#### (Abb. D)

Der Zusatzgriff (5) lässt sich einstellen, um eine optimale Balance und ein Höchstmaß an Arbeitskomfort zu erzielen.

- ◆ Drücken Sie die Einstelltaste (6) an der linken Seite des Griffs.
- ◆ Drehen Sie den Zusatzgriff (5) in die gewünschte Position.
- ◆ Lassen Sie die Einstelltaste (6) los.

**Achtung!** Achten Sie darauf, dass die Zähne an der Taste entsprechend den Schlitzern am Griff ausgerichtet sind und dass der Griff sicher angebracht ist.

### Einstellen der Höhe des Geräts (Abb. E und F)

Dieses Gerät lässt sich mithilfe eines Teleskopauszugs auf eine bequeme Höhe einstellen. Es sind verschiedene Höheneinstellungen möglich.

So stellen Sie die Höhe ein:

- ◆ Lösen Sie die Sicherungsklemme (16) der Höheneinstellung.
- ◆ Schieben Sie das Rohr (7) vorsichtig nach oben bzw. nach unten, bis die gewünschte Höhe erreicht ist.
- ◆ Schließen Sie die Sicherungsklemme (16) der Höheneinstellung.

## Freigeben des Schneidfadens

Während des Transports ist der Schneidfaden mit Klebeband am Spulengehäuse befestigt.

- ◆ Entfernen Sie das Klebeband, mit dem der Schneidfaden am Spulengehäuse (12) befestigt ist.

## Aufbewahrung der nicht verwendeten Spule (Abb. G)

Das Gerät verfügt über zwei Schneidsysteme:

- ◆ **AFS:** Automatische Einzelfadenzuführung für leichtes Trimmen und Kantentrimmen.
- ◆ **HDL:** Hochleistungsdoppelfaden-Schneidsystem für stärker zugewachsene Bereiche.

**Hinweis:** Die HDL-Spule darf ausschließlich im Trimmmodus verwendet werden.

Das jeweils nicht verwendete Schneidsystem kann in der Ersatzspulenhalterung aufbewahrt werden (nur GL8033 und GL9035).

- ◆ Richten Sie die Laschen (17) des Spulendeckels an den Aussparungen (18) der Ersatzspulenhalterung (8) aus.
- ◆ Drücken Sie den Deckel auf die Ersatzspulenhalterung, bis dieser sicher einrastet.

## Anschließen des Geräts an die Stromversorgung (Abb. H)

- ◆ Verbinden Sie die Steckerbuchse eines geeigneten Verlängerungskabels mit dem Netzanschluss (4).
- ◆ Führen Sie das Kabel schlaufenförmig durch die Kabelhalterung (3).
- ◆ Stecken Sie den Netzstecker in die Steckdose.

Bei der Verwendung von Kabelaufrollvorrichtungen: Stellen Sie sicher, dass das Kabel in der Kabelhalterung befestigt ist, bevor Sie den Netzstecker in die Steckdose stecken.

**Achtung!** Das Verlängerungskabel muss für die Verwendung im Freien geeignet sein.

## Gebrauch

**Achtung!** Beschleunigen Sie den Arbeitsvorgang nicht mit Gewalt. Vermeiden Sie eine Überlastung des Geräts.

## Einstellen des Trimm- bzw. Kantenmodus (Abb. I und J)

Das Gerät verfügt über einen Trimm- (Abb. I) und einen Kantenmodus (Abb. J) zum Schneiden von überhängenden Gräsern an Rasenkanten und Blumenbeeten.

### Trimmmodus (Abb. I)

Zum Trimmen muss sich der Kopf des Trimmers in der in Abb. I dargestellten Position befinden. Gehen Sie folgendermaßen vor, wenn dies nicht der Fall ist:

- ◆ Lösen Sie die Sicherungsklemme (16) der Höheneinstellung.

- ◆ Drehen Sie das Rohr (7) im Uhrzeigersinn.
- ◆ Schließen Sie die Sicherungsklemme (16) der Höheneinstellung, wenn sich der Kopf in der richtigen Position befindet.

**Hinweis:** Das Rohr lässt sich nur in eine Richtung drehen.

**Hinweis:** Die HDL-Spule darf im Trimmmodus verwendet werden.

### Kantenmodus (Abb. J)

Zum Trimmen von Kanten muss sich der Kopf in der in Abb. J dargestellten Position befinden. Gehen Sie folgendermaßen vor, wenn dies nicht der Fall ist:

- ◆ Lösen Sie die Sicherungsklemme (16) der Höheneinstellung.
- ◆ Drehen Sie das Rohr (7) gegen den Uhrzeigersinn.
- ◆ Schließen Sie die Sicherungsklemme (16) der Höheneinstellung, wenn sich der Kopf in der richtigen Position befindet.

**Hinweis:** Das Rohr lässt sich nur in eine Richtung drehen.

### Ein- und Ausschalten

- ◆ Drücken Sie zum Einschalten des Geräts den Ein-/Ausschalter (1).
- ◆ Zum Ausschalten des Geräts lassen Sie den Ein-/Ausschalter wieder los.

**Achtung!** Versuchen Sie niemals, den Ein-/Ausschalter in der Einschaltstellung zu arretieren.

## Hinweise für optimale Arbeitsergebnisse

### Allgemeine Hinweise

- ◆ Um optimale Schneideergebnisse zu erzielen, sollten Sie nur trockenen Rasen beschneiden.

### Trimmen

- ◆ Halten Sie das Gerät wie in Abb. K dargestellt.
- ◆ Führen Sie den Trimmer mit langsamen Schwenkbewegungen hin und her.
- ◆ Schneiden Sie hohes Gras in Zwischenschritten bis zur gewünschten Länge. Schneiden Sie stets nur geringe Längen.
- ◆ Halten Sie das Gerät von harten Gegenständen und empfindlichen Pflanzen fern.
- ◆ Der Schneidfaden nutzt sich schneller ab und muss häufiger erneuert werden, wenn Schneidarbeiten entlang Gehwegen oder anderen rauen Untergründen ausgeführt werden oder dichtes Unkraut geschnitten wird.
- ◆ Verringern Sie die Belastung, wenn das Gerät sich verlangsamt.

### Kanten

Optimale Ergebnisse werden bei Kanten erzielt, die tiefer als 50 mm sind.

- ◆ Dieses Gerät ist nicht zum Stechen von Kanten geeignet. Verwenden Sie zu diesem Zweck einen Kantenspaten.
- ◆ Führen Sie das Gerät auf dem Rad wie in Abb. L dargestellt.
- ◆ Neigen Sie das Gerät leicht, um einen kürzeren Beschnitt zu erzielen.

### Einsetzen einer neuen Schneidfadenspule (Abb. M und N)

Neue Schneidfadenspulen erhalten Sie im Black & Decker Fachhandel (Katalognr. A6482). Schneidfadenspulen sind auch im Dreierpack erhältlich (Katalognr. A6486).

- ◆ Ziehen Sie den Netzstecker des Geräts.
- ◆ Nehmen Sie bei heruntergedrückten Laschen (17) den Spulendeckel (21) vom Gehäuse (12) ab (Abb. M).
- ◆ Entfernen Sie die leere Spule (22) aus dem Spulendeckel.
- ◆ Entfernen Sie Verschmutzungen und Gras von dem Spulendeckel und dem -gehäuse.
- ◆ Lösen Sie das Ende des Schneidfadens und führen Sie ihn durch die Öse (23) (Abb. M). Der Faden sollte etwa 11 cm aus dem Spulendeckel herausragen.

**Hinweis:** Achten Sie darauf, dass sich der Faden nicht von der Spule abwickelt. Halten Sie ihn stets mit einer Hand fest.

- ◆ Stecken Sie eine neue Spule auf die Nabe im Spulendeckel. Drehen Sie die Spule leicht, bis sich diese in der richtigen Position befindet.
- ◆ Richten Sie die Laschen (17) der Spule an den Aussparungen (24) des Gehäuses (12) aus.
- ◆ Drücken Sie den Deckel auf das Gehäuse, bis dieser sicher einrastet.

**Achtung!** Wenn die Schneidfäden über das Fadenschneidmesser (11) hinausreichen, schneiden Sie sie entsprechend zu, sodass der Faden lediglich an das Messer heranreicht.

### Einsetzen einer neuen HDL-Schneidfadenspule (Abb. O und P)

Neue HDL-Schneidfadenspulen im Zehnerpack erhalten Sie im Black & Decker Fachhandel (Katalognr. A6489). Zum Einsetzen einer neuen HDL-Schneidfadenspule gehen Sie wie folgt vor:

- ◆ Ziehen Sie den Netzstecker des Geräts.
- ◆ Nehmen Sie bei heruntergedrückten Laschen (17) den Deckel der HDL-Spule (9) vom Gehäuse (12) ab.
- ◆ Entfernen Sie Verschmutzungen und Gras von dem Deckel und dem Gehäuse der HDL-Spule (9).
- ◆ Entfernen Sie den verbrauchten Fadenabschnitt aus dem Deckel der HDL-Spule (9).
- ◆ Führen Sie einen neuen Fadenabschnitt (20) durch die Ösen (27) auf beiden Seiten des Deckels der HDL-Spule.
- ◆ Setzen Sie die zentrale Klemmhülse (28) in der dargestellten Position ein (Abb. P).

- ◆ Setzen Sie den Deckel der HDL-Spule wieder auf.

**Achtung!** Verwenden Sie ausschließlich geeignete Black & Decker Schneidfäden.

### Austauschen des Netzsteckers (nur Großbritannien und Irland)

Gehen Sie folgendermaßen vor, wenn ein neuer Netzstecker angebracht werden muss:

- ◆ Entsorgen Sie den alten Stecker auf sachgerechte Weise.
- ◆ Verbinden Sie die braune Leitung mit dem spannungsführenden Anschluss des Steckers.
- ◆ Verbinden Sie die blaue Leitung mit dem neutralen Anschluss.

**Achtung!** Der Erdleiter wird nicht angeschlossen. Befolgen Sie die Anleitungen, die dem Stecker beiliegen. Empfohlene Sicherung: 5 A.

### Problembekämpfung

Beachten Sie folgende Hinweise, wenn das Gerät nicht richtig zu funktionieren scheint. Sollte sich das Problem nicht beheben lassen, wenden Sie sich an eine Black & Decker Vertragswerkstatt in Ihrer Nähe.

**Achtung!** Ziehen Sie den Netzstecker, bevor Sie fortfahren.

### Das Gerät läuft langsam

- ◆ Vergewissern Sie sich, dass sich das Spulengehäuse frei drehen kann. Reinigen Sie dieses ggf. sorgfältig.
- ◆ Stellen Sie sicher, dass der Schneidfaden nicht weiter als 11 cm aus dem Spulengehäuse herausragt. Schneiden Sie ggf. den Schneidfaden so zu, dass dieser lediglich bis an das Fadenschneidmesser reicht.

### Die automatische Zuführung funktioniert nicht.

- ◆ Nehmen Sie bei heruntergedrückten Laschen den Spulendeckel vom Gehäuse ab.
- ◆ Ziehen Sie den Schneidfaden heraus, bis dieser 11 cm aus dem Gehäuse herausragt. Bringen Sie eine neue Spule mit Schneidfaden wie oben angegeben an, wenn der Schneidfaden auf der Spule nicht mehr ausreicht.
- ◆ Richten Sie die Laschen der Spule an den Löchern des Gehäuses aus.
- ◆ Drücken Sie den Deckel auf das Gehäuse, bis dieser sicher einrastet.
- ◆ Schneiden Sie den Schneidfaden ggf. so zu, dass dieser lediglich bis an das Fadenschneidmesser heranreicht.

Versuchen Sie folgende Vorgehensweisen, wenn die automatische Zuführung weiterhin nicht funktioniert oder die Spule klemmt:

- ◆ Reinigen Sie sorgfältig Spulendeckel und Gehäuse.
- ◆ Entfernen Sie die Spule, und überprüfen Sie, ob sich der Hebel frei bewegen lässt.

- ◆ Entnehmen Sie die Spule, und wickeln Sie den Schneidfaden ab und anschließend sorgfältig, wie oben beschrieben, wieder auf. Ersetzen Sie die Spule gemäß dieser Anleitung.

## Umweltschutz



Getrennte Entsorgung. Dieses Produkt darf keinesfalls mit dem Hausmüll entsorgt werden.

Sollten Sie Ihr Black & Decker Produkt eines Tages ersetzen oder nicht mehr benötigen, entsorgen Sie es nicht mit dem Hausmüll. Führen Sie das Produkt einer getrennten Sammlung zu.



Durch die getrennte Sammlung von ausgedienten Produkten und Verpackungsmaterialien können Rohstoffe recycelt und wiederverwendet werden. Die Wiederverwendung aufbereiteter Materialien trägt zur Vermeidung der Umweltverschmutzung bei und senkt den Rohstoffbedarf.

Die Verordnung zur Abfallentsorgung Ihrer Gemeinde sieht möglicherweise vor, dass Elektrogeräte getrennt vom Hausmüll gesammelt, an der örtlichen Abfallentsorgungseinrichtung abgegeben oder beim Kauf eines neuen Produkts vom Fachhandel zur Entsorgung angenommen werden müssen.

Black & Decker nimmt Ihre ausgedienten Black & Decker Geräte gern zurück und sorgt für eine umweltfreundliche Entsorgung bzw. Wiederverwertung. Um diese Dienstleistung in Anspruch zu nehmen, geben Sie das Gerät bitte bei einer autorisierten Reparaturwerkstatt ab, die für uns die Einsammlung übernimmt.

Die Adresse der zuständigen Niederlassung von Black & Decker steht in dieser Anleitung. Dort teilt man Ihnen gerne die nächstgelegene Vertragswerkstatt mit. Eine Liste der Vertragswerkstätten und aller Kundendienststellen von Black & Decker sowie der zuständigen Ansprechpartner finden Sie auch im Internet unter: [www.2helpU.com](http://www.2helpU.com)

## Technische Daten

		GL7033 (Typ 1)	GL8033 (Typ 1)	GL9035 (Typ 1)
Spannung	$V_{AC}$	230	230	230
Leistungsaufnahme	W	700	800	900
Leerlaufdrehzahl	$\text{min}^{-1}$	7000	7000	7000
Gewicht	kg	3.2	3.2	3.2

<b>Schalldruckpegel:</b>
Schalldruck ( $L_{pA}$ ) 80 dB(A), Unsicherheitsfaktor (K) 2 dB(A)
Schalleistung ( $L_{WA}$ ) 94 dB(A), Unsicherheitsfaktor (K) 2 dB(A)

<b>Gesamtvibration (Triax-Vektorsumme) gemäß EN 786:</b>
Vibrationsemissionswert ( $a_{h1}$ ) 8.2 $\text{m/s}^2$ , Unsicherheitsfaktor (K) 1.5 $\text{m/s}^2$

## EG-Konformitätserklärung

MASCHINENRICHTLINIE  
AUSSENLAUTSTÄRKERICHTLINIE



GL7033/GL8033/GL9035

Black & Decker erklärt, dass die unter "Technische Daten" beschriebenen Geräte übereinstimmen mit:  
2006/42/EG, EN 60335-1, EN 60335-2-91  
2000/14/EG, Rasentrimmer,  $L \leq 50$  cm, Anhang VIII  
KEMA Quality B.V., Utrechtseweg 310, 6802 ED Arnhem,  
Niederlande  
Gemeldet unter ID Nr.: 0344

Schalleistungspegel gemäß 2000/14/EG  
(Artikel 12, Anhang III,  $L \leq 50$  cm):  
LWA (gemessene Schalleistung) 94 dB(A)  
Unsicherheitsfaktor (K) = 2 dB(A)  
LWA (garantierte Schalleistung) 96 dB(A)  
Unsicherheitsfaktor (K) = 2 dB(A)

Diese Produkte entsprechen außerdem den Richtlinien  
2004/108/EG und 2011/65/EU.

Weitere Informationen erhalten Sie von Black & Decker unter der folgenden Adresse. Diese befindet sich auch auf der Rückseite dieser Anleitung.

Der Unterzeichnete ist verantwortlich für die Zusammenstellung der technischen Daten und gibt diese Erklärung im Namen von Black & Decker ab.

Kevin Hewitt  
Vice-President Global Engineering  
Black & Decker Europe, 210 Bath Road, Slough,  
Berkshire, SL1 3YD  
Vereinigtes Königreich  
04/10/2012



## Garantie

Black & Decker vertraut auf die Qualität der eigenen Geräte und bietet dem Käufer eine außergewöhnliche Garantie. Diese Garantiezusage versteht sich unbeschadet der gesetzlichen Gewährleistungsansprüche und schränkt diese keinesfalls ein. Sie gilt in sämtlichen Mitgliedstaaten der Europäischen Union und der Europäischen Freihandelszone EFTA.

Tritt innerhalb von 24 Monaten ab Kaufdatum an einem Gerät von Black & Decker ein auf Material- oder Verarbeitungsfehler zurückzuführender Mangel auf, garantiert Black & Decker den Austausch defekter Teile, die Reparatur von Geräten mit üblichem Verschleiß bzw. den Austausch eines mangelhaften Gerätes, ohne den Kunden dabei mehr als unbedingt nötig in Anspruch zu nehmen, allerdings vorbehaltlich folgender Ausnahmen:

- ◆ wenn das Gerät gewerblich, beruflich oder im Verleihegeschäft benutzt wurde;
- ◆ wenn das Gerät missbräuchlich verwendet oder mit mangelnder Sorgfalt behandelt wurde;
- ◆ wenn das Gerät durch irgendwelche Fremdeinwirkung beschädigt wurde;
- ◆ wenn ein unbefugter Reparaturversuch durch anderes Personal als das einer Vertragswerkstatt oder des Black & Decker Kundendienstes unternommen wurde.

Zur Inanspruchnahme dieser Garantie ist dem Verkäufer bzw. der Vertragswerkstatt ein Kaufnachweis vorzulegen. Die Adresse der zuständigen Niederlassung von Black & Decker steht in dieser Anleitung. Dort teilt man Ihnen gerne die nächstgelegene Vertragswerkstatt mit. Eine Liste der Vertragswerkstätten und aller Kundendienststellen von Black & Decker sowie der zuständigen Ansprechpartner finden Sie auch im Internet unter: [www.2helpU.com](http://www.2helpU.com)

Bitte besuchen Sie unsere Website [www.blackanddecker.de](http://www.blackanddecker.de), um Ihr neues Black & Decker Produkt zu registrieren. Dort erhalten Sie auch Informationen über neue Produkte und Sonderangebote. Weitere Informationen über die Marke Black & Decker und unsere Produkte finden Sie unter [www.blackanddecker.de](http://www.blackanddecker.de).

## Utilisation

Votre taille-bordures Black & Decker est conçu pour la coupe et la finition des bordures de pelouse ainsi que pour couper l'herbe dans les espaces restreints. Cet outil est destiné à une utilisation exclusivement domestique.

## Consignes de sécurité

**Attention !** De simples précautions sont à prendre pour l'utilisation d'appareil branché à l'alimentation principale. Les conseils suivants doivent toujours être appliqués, ceci afin de réduire le risque d'incendie, les chocs électriques, les blessures et les dommages matériels.

**Attention !** Les consignes de sécurité doivent être respectées pendant l'utilisation. Pour votre propre sécurité et pour celle des personnes autour, lisez ces instructions avant d'utiliser l'outil. Veuillez conserver les instructions pour un usage ultérieur.

- ◆ Lisez attentivement et entièrement le manuel avant d'utiliser l'appareil.
- ◆ Ce manuel décrit la manière d'utiliser cet outil. L'utilisation d'un accessoire ou d'une fixation, ou bien l'utilisation de cet appareil à d'autres fins que celles recommandées dans ce manuel d'instruction peut présenter un risque de blessures.
- ◆ Gardez ce manuel pour référence ultérieure.

## Utilisation de votre appareil

Prenez toutes les précautions nécessaires pour l'utiliser.

- ◆ Portez toujours des lunettes de sécurité ou de protection.
- ◆ Ne laissez jamais les enfants ou toute autre personne ne connaissant pas ces instructions, utiliser l'appareil.
- ◆ Ne laissez pas les enfants ou les animaux s'approcher de la zone de travail ou toucher l'appareil ou le fil électrique.
- ◆ Les enfants doivent être surveillés avec attention s'ils se trouvent près de l'appareil pendant l'utilisation.
- ◆ Cet appareil n'est pas destiné à être utilisé par des personnes jeunes ou déficientes sans surveillance.
- ◆ Cet appareil ne doit pas être utilisé comme jouet.
- ◆ Utilisez cet appareil uniquement dans la journée ou avec un éclairage artificiel approprié.
- ◆ Il doit toujours être utilisé dans des endroits secs et en aucun cas être mouillé.
- ◆ Ne plongez pas l'appareil dans l'eau.
- ◆ N'ouvrez pas le boîtier. Les pièces à l'intérieur ne sont pas réparables par l'utilisateur.
- ◆ N'utilisez pas l'appareil dans un environnement présentant des risques d'explosion, ni en présence de liquides, gaz ou poussières inflammables.
- ◆ Pour limiter le risque d'endommagement des prises ou des fils électriques, ne débranchez jamais l'appareil en tirant sur le câble.

## Sécurité des personnes

- ◆ Cet appareil ne doit pas être utilisé par des personnes (y compris les enfants) ayant des déficiences physiques, mentales ou sensorielles. Cette consigne s'applique aussi aux personnes manquant d'expérience et de connaissance du matériel, à moins que celles-ci n'aient reçu les instructions appropriées ou qu'elles ne soient encadrées par une personne responsable de leur sécurité pour utiliser l'appareil.
- ◆ Pour éviter que les enfants ne jouent avec cet appareil, ne les laissez jamais sans surveillance.
- ◆ Cessez d'utiliser la machine lorsque des personnes, en particulier des enfants, ou des animaux se trouvent à proximité.

## Risques résiduels.

L'utilisation d'un outil non mentionné dans les consignes de sécurité données peut entraîner des risques résiduels supplémentaires. Ces risques peuvent survenir si la machine est mal utilisée, si l'utilisation est prolongée, etc.

Malgré l'application des normes de sécurité correspondantes et la présence de dispositifs de sécurité, les risques résiduels suivants ne peuvent être évités. Ceci comprend :

- ◆ Les blessures dues au contact avec une pièce mobile/en rotation.
- ◆ Les blessures causées en changeant des pièces, lames ou accessoires.
- ◆ Les blessures dues à l'utilisation prolongée d'un outil. Une utilisation prolongée de l'outil nécessite des pauses régulières.
- ◆ Déficience auditive.
- ◆ Risques pour la santé causés par l'inhalation de poussières produites pendant l'utilisation de l'outil (exemple : travail avec du bois, surtout le chêne, le hêtre et les panneaux en MDF).

## Après l'utilisation

- ◆ Quand il n'est pas utilisé, l'appareil doit être rangé dans un endroit suffisamment aéré, sec et hors de portée des enfants.
- ◆ Les enfants ne doivent pas avoir accès aux appareils rangés.
- ◆ Quand l'appareil est rangé ou transporté dans un véhicule, il doit être installé dans le coffre ou correctement calé pour éviter les mouvements dus aux changements de direction ou de vitesse.

## Vérification et réparations

- ◆ Débrancher la machine du secteur avant de contrôler, nettoyer ou travailler sur la machine et quand il est en cours d'utilisation.
- ◆ Avant l'utilisation, vérifiez si l'appareil est en bon état ou si aucune pièce ne manque. Recherchez des pièces cas-

sées et d'autres anomalies susceptibles de nuire au bon fonctionnement de l'appareil.

- ◆ N'utilisez pas l'appareil si une pièce est endommagée ou défectueuse.
- ◆ Faites réparer ou remplacer les pièces défectueuses ou endommagées par un réparateur agréé.
- ◆ Ne tentez jamais de retirer ou de remplacer des pièces autres que celles citées dans ce manuel.

### Utilisation d'une rallonge

La rallonge utilisée doit être conforme aux normes et doit s'adapter exactement à la prise de cet appareil (voir les caractéristiques techniques). La rallonge doit être adaptée à une utilisation à l'extérieur et signalée comme tel. Une rallonge Black & Decker HO5VV-F de 1.5 mm<sup>2</sup> allant jusqu'à 30 m peut être utilisée sans que les performances de l'appareil ne soient limitées. Avant d'utiliser la rallonge, assurez-vous qu'elle est en bon état et récente. Remplacez la rallonge si elle est en mauvais état. Si vous utilisez un dévidoir, le câble doit être complètement déroulé.

### Consignes de sécurité supplémentaires pour le taille-bordures

**Attention !** Les éléments de coupe continuent de tourner juste après la mise hors tension du moteur.

- ◆ Familiarisez-vous avec les commandes et la manière appropriée d'utiliser l'appareil.
- ◆ Avant l'utilisation, vérifiez l'état du fil électrique et de la rallonge (dommages, usures et vieillissement). Si un câble est endommagé pendant l'utilisation, débranchez immédiatement l'appareil. **NE TOUCHEZ SURTOUT PAS LE CÂBLE AVANT DE L'AVOIR DÉBRANCHÉ.**
- ◆ N'utilisez pas l'appareil si les câbles sont endommagés ou défectueux.
- ◆ Portez des chaussures épaisses pour protéger vos pieds.
- ◆ Portez un pantalon pour protéger vos jambes.
- ◆ Avant de commencer, retirez les bâtons, cailloux, câbles et autres corps étrangers de la zone à couper.
- ◆ N'utilisez l'appareil que verticalement avec le fil de coupe au niveau du sol. Ne démarrez jamais l'appareil dans une autre position.
- ◆ Déplacez-vous lentement pendant l'utilisation de l'appareil. N'oubliez pas que l'herbe fraîchement coupée est glissante.
- ◆ Ne travaillez pas sur des pentes trop raides. Ne travaillez jamais de haut en bas.
- ◆ Ne traversez jamais des passages recouvert de gravier quand l'appareil fonctionne.
- ◆ Ne touchez jamais le fil de coupe quand l'appareil fonctionne.
- ◆ Ne posez pas l'appareil avant l'arrêt complet du fil de coupe.
- ◆ N'utilisez que le type de fil de coupe approprié. N'utilisez

jamais un fil de coupe en métal ou un fil de pêche.

- ◆ Prenez les précautions nécessaires pour ne pas toucher la lame.
- ◆ Prenez les précautions nécessaires pour que le câble secteur soit éloigné du fil de coupe. Vérifiez toujours la position du câble.
- ◆ Gardez toujours les pieds et les mains éloignés du fil de coupe particulièrement au démarrage du moteur.
- ◆ Avant d'utiliser l'appareil et après un choc, recherchez des signes d'usure ou de dommages et réparez, le cas échéant.
- ◆ Ne faites jamais fonctionner l'appareil avec des protections endommagées ou sans protection.
- ◆ Prenez les précautions nécessaires pour éviter de vous blesser avec les dispositifs de réglage du fil. Une fois le nouveau fil de coupe tiré, avant de remettre l'appareil en marche, remplacez-le en position normale de fonctionnement.
- ◆ Aucun débris ne doit se trouver sur les aérations.
- ◆ N'utilisez pas le taille-bordures si les câbles sont endommagés ou défectueux.
- ◆ Éloignez les rallonges des zones de coupe.

### Étiquettes sur l'appareil

Les symboles d'avertissement suivants se trouvent sur l'outil :



Lisez le manuel avant la mise en marche.



Portez toujours des lunettes de sécurité pour utiliser cet appareil.



Portez toujours des protections auditives appropriées pour utiliser cet appareil.



Débranchez toujours la prise du courant avant de vérifier un câble endommagé. N'utilisez pas votre taille-bordures si le câble est endommagé.



Attention aux projections. Éloignez toute personne des zones de découpe.



N'exposez pas l'appareil à la pluie ni à l'humidité.



Normes 2000/14/CE, puissance sonore garantie.

## Sécurité électrique



Cet appareil est doublement isolé. Par conséquent, aucun câble de mise à la terre n'est nécessaire. Vérifiez si l'alimentation mentionnée sur la plaque signalétique de l'outil correspond bien à la tension présente sur le lieu.

- ◆ Si le câble d'alimentation est endommagé, il doit être remplacé par le fabricant ou par un Centre de réparation agréé Black & Decker pour éviter tout risque.
- ◆ Utilisez un dispositif de courant résiduel à grande sensibilité, 30 mA (RCD) pour améliorer la sécurité électrique.

## Caractéristiques

Cet appareil présente la totalité ou une partie des caractéristiques suivantes :

1. Bouton marche/arrêt (On/Off)
2. Manche
3. Fixation du câble
4. Prise
5. Poignée secondaire
6. Bouton de réglage
7. Tube
8. Dispositif de rangement de bobine de rechange
9. Bobine HDL
10. Protection
11. Lame de taille
12. Boîtier de bobine
13. Fil de coupe
14. Guide de bordure

## Assemblage

**Attention !** Avant l'assemblage, assurez-vous que l'outil est éteint et débranché.

### Fixation de la protection (figures A et B)

- ◆ Retirez la vis (15) de la protection (10).
- ◆ Placez la protection (10) sur l'outil comme indiqué.
- ◆ Appuyez fermement sur la protection jusqu'à l'enclenchement.
- ◆ Fixez la protection avec la vis.
- ◆ Serrez la vis.

**Attention !** N'utilisez jamais l'outil si la protection n'est pas correctement installée.

### Fixation de la deuxième poignée (figure C)

- ◆ Appuyez de manière prolongée sur le bouton de réglage (6) qui se trouve sur le côté du corps de l'appareil.
- ◆ Glissez la deuxième poignée (5) sur le bouton de réglage (6).

**Attention !** Assurez-vous que les dents sur le bouton sont correctement alignées dans les rainures de la poignée et que la poignée est bien fixée.

### Réglage de la position de la deuxième poignée (figure D)

La deuxième poignée (5) peut être réglée pour offrir un maximum de confort et d'équilibre.

- ◆ Appuyez sur le bouton de réglage (6) qui se trouve sur le côté gauche de la poignée.
- ◆ Tournez la deuxième poignée (5) dans la position requise.
- ◆ Relâchez le bouton de réglage (6).

**Attention !** Assurez-vous que les dents sur le bouton sont correctement alignées dans les rainures de la poignée et que la poignée est bien fixée.

### Réglage de la hauteur de l'outil (figures E et F)

Cet outil est doté d'un mécanisme télescopique qui permet de régler l'outil à une hauteur confortable. Il y a plusieurs hauteurs de réglage.

Pour régler la hauteur, effectuez ce qui suit :

- ◆ Relâchez la pince de verrouillage de réglage de hauteur (16)..
- ◆ Tirez le tube (7) vers le haut ou vers le bas et sans forcer pour atteindre la hauteur désirée.
- ◆ Fermez la pince de verrouillage de réglage de hauteur (16).

### Dégagement du fil de coupe

Pendant le transport, le fil de coupe est scotché sur le boîtier de la bobine.

- ◆ Retirez le scotch fixant le fil de coupe sur le boîtier de la bobine (12).

### Rangement de la bobine non utilisée (figure G)

L'outil a deux systèmes de coupe :

- ◆ **AFS** : Auto-alimentation d'un seul fil pour les petits travaux de taille.
- ◆ **HDL** : Système avec deux fils pour travaux difficiles dans les zones envahies de végétation.

**Remarque** : La bobine HDL ne peut être utilisée que pour tailler.

Le système de coupe non utilisé peut être placé dans le dispositif de rangement pour bobine de rechange (GL8033 et GL9035 uniquement).

- ◆ Alignez les pattes (17) sur le cache-bobine avec les trous (18) dans le dispositif de rangement de bobine de rechange (8).
- ◆ Enclenchez le cache sur le dispositif de rangement de la bobine de rechange.

## Branchement de l'outil au secteur (figure H)

- ◆ Branchez la rallonge à la prise (4).
- ◆ Entourez le câble dans le dispositif de fixation (3).
- ◆ Branchez la prise secteur.

Pour le branchement, vérifiez que le câble est entouré sur la fixation avant de brancher la prise au secteur.

**Attention !** La rallonge doit être compatible avec une utilisation à l'extérieur.

## Utilisation

**Attention !** Laissez l'outil fonctionner à sa propre vitesse. Ne le poussez pas au-delà de sa limite.

## Réglage en mode taille ou en mode bordure (figures I et J)

L'outil peut être utilisé en mode taille, comme indiqué figure I ou en mode bordure pour égaliser l'herbe qui dépasse le long des pelouses et des parterres de fleurs, comme indiqué figure J.

### Mode taille (figure I)

Pour tailler, le bloc doit être dans la position indiquée figure I. Si ce n'est pas le cas :

- ◆ Relâchez la pince de verrouillage de réglage de hauteur (16)..
- ◆ Tournez le tube (7) dans le sens des aiguilles d'une montre.
- ◆ Quand le bloc est en place, fermez la pince de verrouillage de réglage de hauteur (16).

**Remarque :** Le tube ne tourne que dans une direction.

**Remarque :** La bobine HDL peut être utilisée en mode de taille.

### Mode bordure (figure J)

Pour tailler les bordures, le bloc doit être dans la position indiquée figure J. Si ce n'est pas le cas :

- ◆ Relâchez la pince de verrouillage de réglage de hauteur (16)..
- ◆ Tournez le tube (7) dans le sens inverse des aiguilles d'une montre.
- ◆ Quand le bloc est en place, fermez la pince de verrouillage de réglage de hauteur (16).

**Remarque :** Le tube ne tourne que dans une direction.

## Mise en marche et arrêt

- ◆ Pour mettre l'outil en marche, appuyez sur le bouton marche/arrêt (1).
- ◆ Pour arrêter l'outil, relâchez le déclencheur.

**Attention !** N'essayez jamais de bloquer le déclencheur en position marche.

## Conseils pour une utilisation optimale

### Généralités

- ◆ Pour obtenir les meilleurs résultats, l'herbe doit être sèche.

### Taille

- ◆ Tenez l'outil comme indiqué, figure K.
- ◆ Balancez légèrement le taille-bordures d'un côté à l'autre.
- ◆ Pour l'herbe haute, coupez progressivement. Faites des petites coupes.
- ◆ Éloignez l'outil des plantes délicates et des objets durs.
- ◆ Le fil de coupe s'use rapidement et doit être changé plus souvent si la coupe est le long des trottoirs ou autres surfaces abrasives ainsi que pour la coupe de racines épaisses.
- ◆ Si l'outil commence à ralentir, réduisez la charge.

### Taille de bordures

Pour obtenir les meilleurs résultats, les bordures doivent avoir une profondeur supérieure à 50 mm.

- ◆ N'utilisez pas cet outil pour créer des bordures. Pour les bordures, utilisez une bêche.
- ◆ Guidez l'outil, comme indiqué figure L.
- ◆ Pour effectuer une coupe précise, inclinez légèrement l'outil.

## Installation d'une nouvelle bobine de fil de coupe (figures M et N)

Vous trouverez des bobines de fil de coupe chez votre revendeur Black & Decker (cat. n° A6482). Des packs de trois bobines de fil de coupe sont aussi disponibles (cat. n° A6486).

- ◆ Débranchez l'outil.
- ◆ Appuyez sur les pattes (17) et retirez le cache-bobine (21) du boîtier (12) (figure M).
- ◆ Retirez la bobine vide (22) du cache-bobine.
- ◆ Éliminez la poussière et l'herbe du cache-bobine et du boîtier.
- ◆ Détachez l'extrémité du fil de coupe et guidez le fil dans l'œillet (23) (figure M). Une longueur d'environ 11 cm de fil doit sortir du cache-bobine.

**Remarque :** Prenez les précautions nécessaires pour que le fil ne s'emmêle pas sur la bobine. Tenez-le en permanence fermement dans une main.

- ◆ Prenez une nouvelle bobine et poussez-la sur l'axe dans le cache-bobine. Tournez la bobine sans forcer jusqu'à ce qu'elle soit installée.
- ◆ Alignez les pattes (17) sur le cache-bobine avec les trous (24) sur le boîtier (12).
- ◆ Enclenchez le cache sur le boîtier.

**Attention !** Si les fils de coupe dépassent de la lame (11), coupez-les pour qu'il soient au niveau de la lame.

## Installation d'un nouveau morceau de fil de coupe pour travaux difficiles (figures O et P)

Les packs de recharge avec 10 fils de coupe pour travaux difficiles sont disponibles chez votre revendeur Black & Decker (cat. n° A6489). Pour placer un nouveau morceau de fil de coupe, effectuez ce qui suit :

- ◆ Débranchez l'outil.
- ◆ Appuyez sur les pattes (17) et retirez le cache HDL (9) du boîtier (12).
- ◆ Éliminez la poussière et l'herbe du cache HDL (9) et du boîtier.
- ◆ Retirez le morceau du fil usé sur le cache HDL (9).
- ◆ Passez un nouveau morceau de fil (20) dans les œillets (27) sur un des côtés du cache HDL.
- ◆ Mettez la virole (28) dans la position indiquée (figure P).
- ◆ Ré-installez le cache HDL.

**Attention !** Seul le type de fil de coupe Black & Decker approprié doit être utilisé.

## Remplacement des prises secteur (RU et Irlande uniquement)

Si une nouvelle prise secteur doit être installée :

- ◆ Mettez au rebut la vieille prise.
- ◆ Branchez le fil brun dans la borne de la nouvelle prise.
- ◆ Branchez le fil bleu à la borne neutre.

**Attention !** Aucune connexion ne doit être faite à la borne de terre. Suivez les instructions de montage fournies avec les prises de bonne qualité. Fusibles recommandés : 5 A.

## Dépannage

Si l'outil ne fonctionne pas, suivez les instructions ci-dessous.

Si le problème n'est pas résolu, veuillez contacter votre réparateur local Black & Decker.

**Attention !** Débranchez l'outil avant de commencer.

### Fonctionnement lent

- ◆ Vérifiez le mouvement de rotation du boîtier de bobine. Nettoyez-le, le cas échéant.
- ◆ Assurez-vous que le fil de coupe ne dépasse pas de plus de 11 cm du boîtier de la bobine. Si c'est le cas, coupez-le pour qu'il soit au niveau de la lame.

### Problème de déroulement automatique du fil

- ◆ Appuyez sur les pattes et retirez le cache-bobine du boîtier.
- ◆ Tirez sur le fil de coupe jusqu'à ce qu'il dépasse de 11 cm du boîtier. S'il n'y a pas assez de fil dans la bobine, installez une nouvelle bobine, en suivant le processus ci-dessus.
- ◆ Alignez les pattes sur le cache-bobine avec les trous sur le boîtier.
- ◆ Enclenchez le cache sur le boîtier.

- ◆ Si le fil de coupe dépasse de la lame, coupez-le pour qu'il soit au niveau de la lame.

Si le déroulement automatique du fil ne fonctionne pas ou si la bobine est emmêlée, effectuez ce qui suit :

- ◆ Nettoyez avec précaution le cache-bobine et le boîtier.
- ◆ Retirez la bobine et vérifiez le mouvement du levier.
- ◆ Retirez la bobine et déroulez le fil de coupe, puis rembobinez-le correctement, comme décrit ci-dessus. Remplacez la bobine, comme indiqué.

## Protection de l'environnement



Recyclage. Cet outil ne doit pas être jeté avec les déchets ménagers.

Si votre appareil/outil Black & Decker doit être remplacé ou si vous ne l'utilisez plus, ne le jetez pas avec les ordures ménagères. Songez à la protection de l'environnement et recyclez-le.



La collecte séparée des produits et des emballages usagés permet de recycler et de réutiliser des matériaux.

La réutilisation de matériaux recyclés évite la pollution de l'environnement et réduit la demande de matières premières.

Des réglementations locales peuvent stipuler la collecte séparée des produits électriques et des produits ménagers, dans des déchetteries municipales ou par le revendeur lorsque vous achetez un nouveau produit.

Black & Decker offre une solution permettant de recycler les produits Black & Decker lorsqu'ils ont atteint la fin de leur cycle de vie. Pour pouvoir profiter de ce service, veuillez retourner votre produit à un réparateur agréé qui se chargera de le collecter pour nous.

Pour connaître l'adresse du réparateur agréé le plus proche de chez vous, contactez le bureau Black & Decker à l'adresse indiquée dans ce manuel. Vous pourrez aussi trouver une liste de réparateurs agréés Black & Decker et de plus amples détails sur notre service après-vente sur le site Internet à l'adresse suivante : [www.2helpU.com](http://www.2helpU.com)

## Caractéristiques techniques

		GL7033 (Type 1)	GL8033 (Type 1)	GL9035 (Type 1)
Tension	V <sub>AC</sub>	230	230	230
Puissance	W	700	800	900
Vitesse à vide	min <sup>-1</sup>	7000	7000	7000
Poids	kg	3.2	3.2	3.2

### Niveau de pression sonore :

Pression sonore (L<sub>PA</sub>) 80 dB(A), incertitude (K) 2 dB(A)

Puissance sonore (L<sub>WA</sub>) 94 dB(A), incertitude (K) 2 dB(A)

### Valeurs totales des vibrations (somme vectorielle triaxiale) selon la norme

EN 786 :

Valeur d'émission de vibration (a<sub>v</sub>) 8.2 m/s<sup>2</sup>, incertitude (K) 1.5 m/s<sup>2</sup>

## Déclaration de conformité CE

CONSIGNES DE MACHINERIE  
CONSIGNES NUISANCES SONORES EXTÉRIEURES



GL7033/GL8033/GL9035

Black & Decker confirme que les produits décrits dans les  
« Données techniques » sont conformes aux normes :

2006/42/CE, EN 60335-1, EN 60335-2-91

2000/14/CE, Taille-bordures, L ≤ 50 cm, Annexe VIII

KEMA Quality B.V., Utrechtseweg 310, 6802 ED Arnhem,

The Netherlands

N° ID corps : 0344

Niveau de puissance sonore selon la norme 2000/14/CE

(Article 12, Annexe III, L ≤ 50 cm) :

LWA (puissance sonore mesurée) 94 dB(A)

Incertitude (K) = 2 dB(A)

LWA (puissance sonore garantie) 96 dB(A)

Incertitude (K) = 2 dB(A)

Ces produits sont conformes aux normes 2004/108/CE et  
2011/65/UE.

Pour plus de détails, veuillez contacter Black & Decker à  
l'adresse suivante ou reportez-vous au dos du manuel.  
Le soussigné est responsable des données de la fiche techni-  
que et fait cette déclaration au nom de Black & Decker.

Kevin Hewitt

Vice-Président - ingénierie internationale

Black & Decker Europe, 210 Bath Road, Slough,

Berkshire, SL1 3YD

Royaume-Uni

04/10/2012

## Garantie

Black & Decker vous offre une garantie très élargie ainsi que des produits de qualité. Ce certificat de garantie est un document supplémentaire et ne peut en aucun cas se substituer à vos droits légaux. La garantie est valable sur tout le territoire des États Membres de l'Union Européenne et de la Zone de Libre Échange Européenne.

Si un produit Black & Decker s'avère défectueux en raison de matériaux en mauvaises conditions, d'une erreur humaine, ou d'un manque de conformité dans les 24 mois suivant la date d'achat, Black & Decker garantit le remplacement des pièces défectueuses, la réparation des produits usés ou cassés ou remplace ces produits à la convenance du client, sauf dans les circonstances suivantes :

- ◆ Le produit a été utilisé dans un but commercial, professionnel, ou a été loué;
- ◆ Le produit a été mal utilisé ou utilisé avec négligence;
- ◆ Le produit a subi des dommages à cause d'objets étrangers, de substances ou à cause d'accidents;
- ◆ Des réparations ont été tentées par des techniciens ne faisant pas partie du service technique de Black & Decker.

Pour avoir recours à la garantie, il est nécessaire de fournir une preuve d'achat au vendeur ou à un réparateur agréé.

Pour connaître l'adresse du réparateur agréé le plus proche de chez vous, contactez le bureau Black & Decker à l'adresse indiquée dans ce manuel. Vous pourrez aussi trouver une liste de réparateurs agréés Black & Decker et de plus amples détails sur notre service après-vente sur le site Internet à l'adresse suivante : [www.2helpU.com](http://www.2helpU.com)

Visitez notre site Web [www.blackanddecker.fr](http://www.blackanddecker.fr) pour enregistrer votre nouveau produit Black & Decker et être informé des nouveaux produits et des offres spéciales. Pour plus d'informations concernant la marque Black & Decker et notre gamme de produits, consultez notre site [www.blackanddecker.fr](http://www.blackanddecker.fr)



## Uso previsto

Il decespugliatore tagliabordi Black & Decker è stato progettato per tagliare e rifinire i bordi dei prati e per tosare l'erba in spazi ristretti. Questo elettrostrumento è stato progettato solo per uso individuale.

## Istruzioni di sicurezza

**Avvertenza!** Quando si usano elettrostrumenti alimentati elettricamente, osservare sempre le normali precauzioni di sicurezza per ridurre il rischio di incendio, scosse elettriche, lesioni personali e danni materiali.

**Avvertenza!** Osservare i regolamenti di sicurezza quando si usa l'elettrostrumento. Per la propria incolumità e quella degli osservatori, leggere queste istruzioni prima di usare l'elettrostrumento. Conservare le istruzioni in un luogo sicuro per utilizzo futuro.

- ◆ Leggere attentamente il presente manuale prima di usare l'elettrostrumento.
- ◆ L'uso previsto è descritto nel presente manuale. Se questo elettrostrumento viene usato con accessori o per usi diversi da quelli raccomandati nel presente manuale d'uso, si potrebbero verificare lesioni personali.
- ◆ Conservare il presente manuale per futura consultazione.

## Utilizzo dell'elettrostrumento

Prestare sempre attenzione quando si usa l'elettrostrumento.

- ◆ Indossare sempre occhiali di sicurezza.
- ◆ Vietare l'uso dell'elettrostrumento a bambini e ad adulti che non abbiano letto il presente manuale.
- ◆ Vietare a bambini o ad animali di avvicinarsi all'area di lavoro o di toccare l'elettrostrumento o il filo di alimentazione.
- ◆ Prestare la massima attenzione quando si usa l'elettrostrumento vicino ai bambini.
- ◆ L'utilizzo di questo elettrostrumento non è destinato a ragazzi o persone inferme senza supervisione.
- ◆ Questo elettrostrumento non deve essere usato come un giocattolo.
- ◆ Usare l'elettrostrumento solo alla luce del giorno o con una buona luce artificiale.
- ◆ Usare solo in un luogo asciutto. Evitare che l'elettrostrumento si bagni.
- ◆ Non immergere l'elettrostrumento in acqua.
- ◆ Non aprire il corpo dell'elettrostrumento, dato che al suo interno non vi sono componenti riparabili.
- ◆ Evitare di impiegare questo elettrostrumento in ambienti esposti al rischio di esplosione, ad esempio in presenza di liquidi, gas o polveri infiammabili.
- ◆ Per ridurre il rischio di danni a spine o fili, non tirare mai il filo per scollegare la spina da una presa.

## Sicurezza altrui

- ◆ Questo elettrostrumento non è stato progettato per impiego da parte di persone (o bambini) portatrici di handicap fisici, psichici o sensoriali o che non abbiano la dovuta esperienza o conoscenza, a meno che non siano seguite o opportunamente istruite sul suo impiego da parte di una persona responsabile della loro sicurezza.
- ◆ Controllare che i bambini non giochino con l'elettrostrumento.
- ◆ Smettere di usare la macchina, mentre le persone, in particolare bambini, o animali nelle vicinanze.

## Rischi residui.

Quando si usa l'elettrostrumento, possono esservi altri rischi residui che possono non essere stati contemplati negli avvisi di sicurezza allegati. Tali rischi possono sorgere a seguito di un uso prolungato o improprio, ecc.

Perfino adottando gli appositi regolamenti di sicurezza e utilizzando i dispositivi di sicurezza, certi rischi residui non possono essere evitati. Essi comprendono:

- ◆ Lesioni causate o subite a seguito del contatto con parti rotanti/in movimento.
- ◆ Lesioni causate o subite durante la sostituzione di parti, lame o accessori.
- ◆ Lesioni causate dall'impiego prolungato di un elettrostrumento. Quando si usa qualsiasi elettrostrumento per lunghi periodi, accertarsi di fare regolarmente delle pause.
- ◆ Problemi di udito.
- ◆ Rischi per la salute causati dall'aspirazione di polvere generata dall'utilizzo dell'elettrostrumento (ad esempio quando si lavora con il legno, in modo particolare quello di quercia, faggio o l'MDF.)

## Dopo l'impiego

- ◆ Quando non viene usato, l'elettrostrumento deve essere conservato in un luogo asciutto e ben ventilato, fuori dalla portata dei bambini.
- ◆ Gli elettrostrumenti non devono essere riposti alla portata dei bambini.
- ◆ Se viene conservato o trasportato in un veicolo, l'elettrostrumento deve essere messo nel bagagliaio o legato per evitare che si sposti in caso di cambiamento repentino della velocità o della direzione di marcia.

## Ispezione e riparazioni

- ◆ Staccare la macchina dalla rete di alimentazione prima di controllare, pulire o lavorare sulla macchina e quando è in uso.
- ◆ Prima dell'impiego, controllare che l'elettrostrumento non sia danneggiato e non presenti parti difettose. Controllare che non vi siano parti rotte o altre condizioni che potrebbero avere ripercussioni sulle prestazioni.
- ◆ Non usare l'elettrostrumento se alcune parti sono dan-

neggiate o difettose.

- ◆ Far riparare o sostituire le parti danneggiate o difettose da un tecnico autorizzato.
- ◆ Non tentare di smontare o sostituire qualsiasi parte ad eccezione di quelle specificate nel presente manuale.

### Utilizzo di un cavo di prolunga

Usare sempre un cavo di prolunga di tipo omologato, idoneo all'assorbimento di corrente di questo elettroutensile (vedere i dati tecnici). Il cavo di prolunga deve essere idoneo per impiego all'esterno e deve essere opportunamente contrassegnato. È possibile usare un cavo di prolunga lungo fino a 30 m con diametro di 1.5 mm<sup>2</sup> HO5VV-F senza perdita alcuna delle prestazioni del prodotto. Prima dell'impiego, ispezionare il cavo di prolunga per accertarsi che non presenti segni di danni, usura o invecchiamento. Sostituire il cavo di prolunga se è danneggiato o difettoso. Se si usa un mulinello, svolgere sempre completamente il cavo.

### Altre precauzioni di sicurezza per i decespugliatori tagliabordi

**Avvertenza!** I fili da taglio continuano a girare dopo lo spegnimento del motore.

- ◆ Imparare bene i comandi e come usare in modo appropriato l'elettroutensile.
- ◆ Prima dell'uso, controllare che il filo di alimentazione e il cavo di prolunga non presentino segni di danni, invecchiamento e usura. Se il filo di alimentazione subisce danni durante l'uso, scollegarlo immediatamente dalla presa di corrente. Non toccare il filo di alimentazione prima di AVERLO scollegato dalla presa di corrente.
- ◆ Non usare l'elettroutensile se i fili di alimentazione sono danneggiati o usurati.
- ◆ Indossare scarpe o stivali robusti per proteggere i piedi.
- ◆ Indossare calzoncini lunghi per proteggere le gambe.
- ◆ Prima di iniziare a usare l'elettroutensile, controllare che lungo il percorso in cui si deve lavorare, non vi siano bastoncini, pietre, fili elettrici e altri ostacoli.
- ◆ Usare l'elettroutensile solo in posizione verticale e con il filo da taglio vicino a terra. Non spegnere mai l'elettroutensile in qualsiasi altra posizione.
- ◆ Spostarsi lentamente quando si usa l'elettroutensile. Ricordare che l'erba appena tagliata è umida e scivolosa.
- ◆ Non lavorare su pendii ripidi. Lavorare trasversalmente su di un pendio e mai procedendo verticalmente in su e in giù.
- ◆ Non attraversare mai strade o sentieri coperti di ghiaia con l'elettroutensile acceso.
- ◆ Non toccare mai il filo da taglio quando l'elettroutensile è acceso.
- ◆ Non appoggiare a terra l'elettroutensile fino a quando il filo da taglio non si è completamente fermato.

- ◆ Usare solo il corretto tipo di filo da taglio. Non usare mai filo da taglio in metallo o una lenza.
- ◆ Prestare attenzione a non toccare la lama di trancitura del filo.
- ◆ Prestare attenzione a tenere sempre lontano il filo di alimentazione da quello da taglio. Essere sempre consapevoli di dove si trova il filo di alimentazione.
- ◆ Tenere sempre mani e piedi lontani dal filo da taglio, in modo particolare quando si accende il motore.
- ◆ Prima di usare l'elettroutensile e dopo ogni impatto, controllare che non vi siano segni di usura o danni e riparare come richiesto.
- ◆ Non far mai funzionare l'elettroutensile con le protezioni danneggiate o smontate.
- ◆ Proteggersi da eventuali lesioni che potrebbero essere causate dai dispositivi montati per la trancitura di una lunghezza di filo da taglio. Dopo aver srotolato una nuova lunghezza di filo da taglio, riportare sempre l'elettroutensile nella normale posizione di funzionamento prima di accenderlo.
- ◆ Verificare sempre che le fessure di ventilazione siano mantenute pulite e prive di impurità.
- ◆ Non usare il decespugliatore (tagliabordi) se i fili di alimentazione sono danneggiati o usurati.
- ◆ Tenere i cavi di prolunga lontano dagli elementi da taglio.

### Etichette sull'elettroutensile

I seguenti simboli di avvertenza sono stampigliati sull'elettroutensile.



Leggere il manuale prima dell'utilizzo.



Indossare occhiali di sicurezza quando si usa l'elettroutensile.



Indossare otoprotezioni idonee quando si usa l'elettroutensile.



Estrarre sempre la spina dalla presa di corrente prima di ispezionare un filo di alimentazione danneggiato. Non usare il tagliabordi se il filo di alimentazione è danneggiato.



Fare attenzione agli oggetti lanciati in aria. Tenere gli osservatori lontani dalla zona di taglio.



Non esporre l'elettroutensile alla pioggia o a un'umidità intensa.



Pressione sonora garantita in base alla direttiva 2000/14/CE.

### Sicurezza elettrica



Il doppio isolamento di cui è provvisto l'elettrotensile rende superfluo il filo di terra. Controllare sempre che l'alimentazione corrisponda alla tensione indicata sulla targhetta dei dati tecnici.

- ◆ In caso di danneggiamento del filo di alimentazione, è necessario farlo riparare dal fabbricante o presso un centro assistenza Black & Decker autorizzato in modo da evitare eventuali pericoli.
- ◆ La sicurezza elettrica può essere ulteriormente aumentata utilizzando un dispositivo a corrente residua (RCD) ad alta sensibilità (30 mA).

### Caratteristiche

Si indicano di seguito le caratteristiche di cui è dotato questo elettrotensile.

1. Interruttore di accensione
2. Manico
3. Fermacavo
4. Spina
5. Impugnatura secondaria
6. Pulsante di regolazione
7. Tubo
8. Porta bobina di scorta
9. Bobina HDL
10. Protezione
11. Lama di tranciatura filo
12. Alloggiamento bobina
13. Filo da taglio
14. Rotella per bordo

### Montaggio

**Attenzione!** Prima di montare l'elettrotensile, assicurarsi che sia spento e scollegato dalla presa di corrente.

#### Montaggio della protezione (figg. A e B)

- ◆ Svitare la vite (15) dalla protezione (10).
- ◆ Posizionare la protezione (10) sull'elettrotensile come illustrato.
- ◆ Premere saldamente la protezione fino a quando si aggancia in sede.
- ◆ Fissare la protezione con la vite.
- ◆ Serrare la vite.

**Attenzione!** Non usare mai l'elettrotensile senza la protezione montata correttamente.

### Montaggio dell'impugnatura secondaria (fig. C)

- ◆ Premere e tenere premuto il pulsante di regolazione (6) sul lato del corpo principale.
- ◆ Far scorrere in sede l'impugnatura secondaria (5) sopra il pulsante di regolazione (6).

**Attenzione!** Accertarsi che i denti sul pulsante siano allineati correttamente nelle fessure dell'impugnatura e che l'impugnatura sia ben salda.

### Regolazione della posizione dell'impugnatura secondaria

#### (fig. D)

L'impugnatura secondaria (5) può essere regolata per fornire l'equilibrio ottimale e il massimo comfort.

- ◆ Premere il pulsante di regolazione (6) sul lato sinistro del manico.
- ◆ Ruotare la seconda impugnatura (5) nella posizione desiderata.
- ◆ Rilasciare il pulsante di regolazione (6).

**Attenzione!** Accertarsi che i denti sul pulsante siano allineati correttamente nelle fessure dell'impugnatura e che l'impugnatura sia ben salda.

### Regolazione dell'altezza dell'elettrotensile (figg. E e F)

Questo elettrotensile è dotato di meccanismo telescopico che ne consente la regolazione all'altezza più idonea. Sono possibili varie regolazioni dell'altezza.

Per regolare l'altezza, eseguire quanto descritto di seguito:

- ◆ Rilasciare il morsetto di serraggio per la regolazione dell'altezza (16)..
- ◆ Far scorrere con attenzione il tubo (7) in su o in giù, fino a ottenere l'altezza desiderata.
- ◆ Chiudere il morsetto di serraggio per la regolazione dell'altezza (16)..

### Rilascio del filo da taglio

Durante il transito, il filo da taglio è fissato sull'alloggiamento della bobina con del nastro adesivo.

- ◆ Staccare il nastro adesivo che fissa il filo da taglio sull'alloggiamento della bobina (12)..

### Come conservare la bobina non usata (fig. G)

L'elettrotensile è dotato di due sistemi di taglio:

- ◆ **AFS:** Filo unico autoalimentato per il taglio leggero e la bordatura.
- ◆ **HDL:** Sistema di taglio a doppio filo per servizio gravoso per aree con vegetazione rigogliosa.

**Nota:** La bobina HDL può essere usata solo nella modalità di taglio.

Il sistema di taglio non usato può essere riposto nel porta bobina di scorta (solo GL8033 e GL9035).

- ◆ Allineare le linguette (17) sul coperchio della bobina alle sfinesature (18) nel porta bobina di scorta (8).
- ◆ Premere il coperchio sul porta bobina di scorta fino a quando si aggancia saldamente in sede.

### Collegamento dell'elettrotensile alla presa di corrente (fig. H)

- ◆ Collegare la spina femmina di un cavo di prolunga idoneo alla presa di alimentazione (4).
- ◆ Far passare il cavo nel fermacavo (3).
- ◆ Inserire la spina in una presa di corrente.

Per elettrotensili dotati di filo di alimentazione: Accertarsi che il filo di alimentazione sia stato avvolto attorno al fermacavo prima di collegare la spina alla presa di corrente.

**Avvertenza!** Il cavo di prolunga deve essere idoneo all'impiego all'aperto.

### Utilizzo

**Attenzione!** Lasciare che l'elettrotensile funzioni al suo ritmo. Non sovraccaricarlo.

### Regolazione dell'elettrotensile sulla modalità di taglio o di bordatura (figg. I e J)

L'elettrotensile può essere usato nella modalità di taglio, come illustrato in fig. I, o in quella di bordatura, per tagliare l'erba sporgente lungo i bordi del prato o delle aiuole, come illustrato in fig. J.

#### Modalità di taglio (fig. I)

Per eseguire il taglio, la testa di taglio deve trovarsi nella posizione illustrata in fig. I. In caso contrario:

- ◆ Rilasciare il morsetto di serraggio per la regolazione dell'altezza (16)..
- ◆ Ruotare il tubo (7) in senso orario.
- ◆ Con la testa montata, chiudere il morsetto di serraggio per la regolazione dell'altezza (16)..

**Nota:** Il tubo può ruotare solo in una direzione.

**Nota:** La bobina HDL può essere usata nella modalità di taglio.

#### Modalità di bordatura (fig. J)

Per eseguire la bordatura, la testa di taglio deve trovarsi nella posizione illustrata in fig. J. In caso contrario:

- ◆ Rilasciare il morsetto di serraggio per la regolazione dell'altezza (16)..
- ◆ Ruotare il tubo (7) in senso antiorario.
- ◆ Con la testa montata, chiudere il morsetto di serraggio per la regolazione dell'altezza (16)..

**Nota:** Il tubo può ruotare solo in una direzione.

### Accensione e spegnimento

- ◆ Per accendere l'elettrotensile, premere l'interruttore di accensione (1).
- ◆ Per spegnere l'elettrotensile, rilasciare la leva a grilletto.

**Attenzione!** Non tentare mai di bloccare una leva a grilletto su acceso.

### Consigli per un utilizzo ottimale

#### In generale

- ◆ Per ottenere i migliori risultati di taglio, tosare l'erba solo quando è asciutta.

#### Taglio

- ◆ Tenere l'elettrotensile così come indicato in fig. K.
- ◆ Far oscillare con attenzione il decespugliatore tagliabordi da un lato all'altro.
- ◆ Quando si taglia l'erba lunga, procedere in stadi partendo dalle punte. Eseguire dei tagli di piccola entità.
- ◆ Tenere l'elettrotensile lontano da oggetti duri e da piante delicate.
- ◆ Il filo da taglio si usura più rapidamente e deve essere alimentato più di frequente se la tosatura è eseguita lungo marciapiedi o altre superfici abrasive oppure se si stanno tagliando erbacce folte.
- ◆ Se l'elettrotensile comincia a funzionare lentamente, ridurre il carico.

#### Bordatura

Si otterranno i migliori risultati quando si tagliano bordi con erba alta più di 50 mm.

- ◆ Non utilizzare l'elettrotensile per creare i bordi. Farlo usando una vanga per bordi.
- ◆ Manovrare l'elettrotensile sulle ruote così come indicato in fig. L.
- ◆ Per eseguire un taglio più ravvicinato, inclinare leggermente l'elettrotensile.

### Montaggio di una nuova bobina del filo da taglio (figg. M e N)

Le bobine del filo da taglio di ricambio sono reperibili presso il rivenditore Black & Decker (n. cat. A6482). Sono anche disponibili confezioni con 3 bobine di filo da taglio (n. cat. A6486).

- ◆ Scollegare l'elettrotensile dalla presa di corrente.
- ◆ Tenere premute le linguette (17) e staccare il coperchio della bobina (21) dall'alloggiamento (12) (fig. M).
- ◆ Estrarre la bobina vuota (22) dal relativo coperchio.
- ◆ Eliminare sporcizia ed erba dal coperchio e dall'alloggiamento della bobina.
- ◆ Sganciare l'estremità del filo da taglio e infilarla nell'occhiello (23) (fig. M). Il filo dovrebbe sporgere 11 cm circa dal coperchio della bobina.

**Nota:** Prestare attenzione a non lasciare che il filo sulla bobina si srotoli. Tenerlo sempre saldamente fermo con una mano.

- ◆ Prendere una nuova bobina e calzarla sul tronchetto nel coperchio della bobina. Ruotare leggermente la bobina fino a quando è insediata.
- ◆ Allineare le linguette (17) sul coperchio della bobina alle sfinestrature (24) nell'alloggiamento (12).
- ◆ Premere il coperchio sull'alloggiamento fino a quando si aggancia saldamente in sede.

**Attenzione!** Se i fili da taglio sporgono oltre la lama di trancitura (11), tagliarli in modo che raggiungano appena la lama.

### Montaggio di una nuova bobina del filo da taglio per servizio gravoso (figg. O e P)

Le confezioni di 10 fili da taglio per servizio gravoso di ricambio, sono reperibili presso il rivenditore Black & Decker (n. cat. A6489). Per montare una nuova bobina del filo da taglio, procedere come indicato di seguito.

- ◆ Scollegare l'elettrotensile dalla presa di corrente.
- ◆ Tenere premute le linguette (17) e staccare il coperchio della bobina HDL (9) dall'alloggiamento (12).
- ◆ Eliminare sporczia ed erba dal coperchio della bobina HDL (9) e dall'alloggiamento.
- ◆ Togliere il pezzo di filo usato dal coperchio della bobina HDL (9).
- ◆ Infilare un nuovo pezzo di filo (20) negli occhielli (27) da ambo i lati del coperchio della bobina HDL.
- ◆ Infilare la ghiera centrale (28) nella posizione indicata (fig. P).
- ◆ Rimontare il coperchio della bobina HDL.

**Attenzione!** Usare solo il corretto tipo di filo da taglio Black & Decker.

### Sostituzione della spina (solo Regno Unito e Irlanda)

Se è necessario montare una nuova spina:

- ◆ smaltire in tutta sicurezza quella vecchia.
- ◆ Collegare il filo marrone al morsetto sotto tensione della nuova spina.
- ◆ Collegare il filo blu al morsetto neutro.

**Avvertenza!** Non effettuare nessun collegamento sul morsetto di terra. Seguire le istruzioni fornite con le spine di buona qualità. Fusibile raccomandato: 5 A.

### Ricerca guasti

Se l'elettrotensile non dovesse funzionare correttamente, seguire le istruzioni riportate di seguito. Se non è comunque possibile risolvere il problema, rivolgersi al tecnico Black & Decker di zona.

**Attenzione!** Prima di continuare, scollegare l'elettrotensile dalla presa di corrente.

### L'elettrotensile funziona lentamente

- ◆ Controllare che l'alloggiamento della bobina possa ruotare liberamente. Pulirlo con attenzione se necessario.
- ◆ Controllare che il filo da taglio non sporga più di 11 cm dall'alloggiamento della bobina. In caso affermativo, tagliarlo in modo che raggiunga appena la lama di trancitura del filo da taglio.

### Se l'alimentazione automatica del filo non funziona

- ◆ Tenere premute le linguette e staccare il coperchio della bobina dall'alloggiamento.
- ◆ Tirare il filo da taglio fino a quando sporge 11 cm dall'alloggiamento. Se sulla bobina è rimasta una quantità insufficiente di filo da taglio, montarne una nuova come descritto in precedenza.
- ◆ Allineare le linguette sul coperchio della bobina alle sfinestrature nell'alloggiamento.
- ◆ Premere il coperchio sull'alloggiamento fino a quando si aggancia saldamente in sede.
- ◆ Se il filo da taglio sporge oltre la lama di trancitura, tagliarlo in modo che raggiunga appena la lama.

Se l'alimentazione automatica del filo continua a non funzionare, oppure se la bobina è inceppata, provare uno dei seguenti suggerimenti:

- ◆ Pulire con attenzione il coperchio e l'alloggiamento della bobina.
- ◆ Rimuovere la bobina e controllare che la leva possa muoversi liberamente.
- ◆ Rimuovere la bobina e srotolare il filo da taglio e quindi avvolgerlo in modo ordinato come descritto in precedenza. Sostituire la bobina come da istruzioni.

### Protezione dell'ambiente



Raccolta differenziata. Questo prodotto non deve essere smaltito con i normali rifiuti domestici.

Nel caso in cui l'elettrotensile Black & Decker debba essere sostituito o non sia più necessario, non smaltirlo con i normali rifiuti domestici. Metterlo da parte per la raccolta differenziata.



La raccolta differenziata dei prodotti e degli imballaggi utilizzati consente il riciclaggio dei materiali e il loro continuo utilizzo.

Il riutilizzo dei materiali riciclati favorisce la protezione dell'ambiente prevenendo l'inquinamento e riduce il fabbisogno di materie prime.

Seguire la regolamentazione locale per la raccolta differenziata dei prodotti elettrici che può prevedere punti di raccolta o la consegna dell'elettrotensile al rivenditore presso il quale viene acquistato un nuovo prodotto.

Black & Decker offre ai propri clienti la possibilità di riciclare i prodotti Black & Decker che hanno esaurito la loro vita di servizio. Per usufruire di tale servizio, è sufficiente restituire il prodotto a qualsiasi tecnico autorizzato, incaricato della raccolta per conto dell'azienda.

Per individuare il tecnico autorizzato più vicino, rivolgersi alla sede Black & Decker locale, presso il recapito indicato nel presente manuale. Altrimenti, un elenco completo di tutti i tecnici autorizzati Black & Decker e i dettagli completi sui contatti e i servizi post-vendita sono disponibili su Internet all'indirizzo: [www.2helpU.com](http://www.2helpU.com)

## Dati tecnici

		GL7033 (Tipo 1)	GL8033 (Tipo 1)	GL9035 (Tipo 1)
Tensione	V <sub>AC</sub>	230	230	230
Potenza assorbita	W	700	800	900
Regime a vuoto	min <sup>-1</sup>	7000	7000	7000
Peso	kg	3.2	3.2	3.2

### Livello di pressione sonora:

Pressione sonora (L<sub>pA</sub>) 80 dB(A), incertezza (K) 2 dB(A)

Potenza acustica (L<sub>WA</sub>) 94 dB(A), incertezza (K) 2 dB(A)

### Valori totali vibrazioni (somma vettoriale triassiale) in base a EN 786:

Valore emissioni vibrazioni (a<sub>v</sub>) 8.2 m/s<sup>2</sup>, incertezza (K) 1.5 m/s<sup>2</sup>

## Dichiarazione di conformità CE

DIRETTIVA SUI MACCHINARI  
DIRETTIVA SULLA RUMOROSITÀ ESTERNA



GL7033/GL8033/GL9035

Black & Decker dichiara che questi prodotti descritti al paragrafo "Dati tecnici" sono conformi a:  
2006/42/CE, EN 60335-1, EN 60335-2-91  
2000/14/CE, Decespugliatore tagliabordi, L ≤ 50 cm, Allegato VIII  
KEMA Quality B.V., Utrechtseweg 310, 6802 ED Arnhem,  
Paesi Bassi  
ID ente notificato n.: 0344

Livello di potenza acustica misurato in base a 2000/14/CE (Articolo 12, Allegato III, L ≤ 50 cm):  
LWA (pressione sonora misurata) 94 dB(A)  
incertezza (K) = 2 dB(A)  
LWA (pressione sonora garantita) 96 dB(A)  
incertezza (K) = 2 dB(A)

Questi prodotti sono conformi alla Direttiva 2004/108/CE e 2011/65/UE.

Per ulteriori informazioni contattare Black & Decker al seguente indirizzo oppure consultare l'ultima di copertina del manuale.

Il sottoscritto è responsabile della redazione di questo documento tecnico e rilascia questa dichiarazione per conto di Black & Decker.

Kevin Hewitt  
Vice-President Global Engineering  
Black & Decker Europe, 210 Bath Road, Slough,  
Berkshire, SL1 3YD  
Regno Unito  
04/10/2012

## Garanzia

Certa della qualità dei suoi prodotti, Black & Decker offre una garanzia eccezionale. Il presente certificato di garanzia è complementare ai diritti legali e non li pregiudica in alcun modo. La garanzia è valida entro il territorio degli Stati membri dell'Unione Europea e dell'EFTA (European Free Trade Area).

Se un prodotto Black & Decker risulta difettoso per qualità del materiale, della costruzione o per mancata conformità entro 24 mesi dalla data di acquisto, Black & Decker garantisce la sostituzione delle parti difettose, provvede alla riparazione dei prodotti se ragionevolmente usurati oppure alla loro sostituzione, in modo da ridurre al minimo il disagio del cliente a meno che:

- ◆ il prodotto non sia stato destinato a usi commerciali, professionali o al noleggio;
- ◆ il prodotto non sia stato usato in modo improprio o scorretto;
- ◆ il prodotto non abbia subito danni causati da oggetti o sostanze estranee oppure incidenti;
- ◆ il prodotto non abbia subito tentativi di riparazione non effettuati da tecnici autorizzati né dall'assistenza Black & Decker.

Per attivare la garanzia è necessario esibire la prova di acquisto al venditore o al tecnico autorizzato. Per individuare il tecnico autorizzato più vicino, rivolgersi alla sede Black & Decker locale, presso il recapito indicato nel presente manuale. Altrimenti, un elenco completo di tutti i tecnici autorizzati Black & Decker e i dettagli completi sui contatti e i servizi post-vendita sono disponibili su Internet all'indirizzo: [www.2helpU.com](http://www.2helpU.com)

I clienti che desiderano registrare il nuovo prodotto Black & Decker e ricevere gli aggiornamenti sui nuovi prodotti e le offerte speciali, sono invitati a visitare il sito Web [www.blackanddecker.it](http://www.blackanddecker.it). Ulteriori informazioni sul marchio e la gamma di prodotti Black & Decker sono disponibili all'indirizzo [www.blackanddecker.it](http://www.blackanddecker.it).

## Beoogd gebruik

Uw Black & Decker trimmer is ontworpen voor het trimmen en afwerken van gazonranden en om gras te maaien in beperkte ruimte. Dit apparaat is uitsluitend bestemd voor consumentengebruik.

## Veiligheidsinstructies

**Waarschuwing!** Bij apparaten voor gebruik op de netspanning moeten bepaalde elementaire voorzorgsmaatregelen, waaronder de navolgende, in acht worden genomen om het gevaar voor brand, elektrische schokken, persoonlijk letsel en materiële schade tot een minimum te beperken.

**Waarschuwing!** De veiligheidsregels moeten worden opgevolgd wanneer u het apparaat gebruikt. Lees voor uw eigen veiligheid en de veiligheid van omstanders deze instructies voordat u het apparaat gebruikt. Bewaar de instructies voor later gebruik.

- ◆ Lees deze handleiding zorgvuldig door voordat u het apparaat in gebruik neemt.
- ◆ In deze handleiding wordt ingegaan op het beoogde gebruik. Het gebruik van andere accessoires of hulpstukken dan wel de uitvoering van andere handelingen dan in deze gebruikershandleiding worden aanbevolen, kan tot persoonlijk letsel leiden.
- ◆ Bewaar deze handleiding zorgvuldig zodat u deze altijd nog eens kunt raadplegen.

## Gebruik van het apparaat

Ga bij gebruik van het apparaat altijd voorzichtig te werk.

- ◆ Gebruik altijd een veiligheidsbril of oogbescherming.
- ◆ Laat het apparaat nooit gebruiken door kinderen of door personen die onbekend zijn met de instructies voor het apparaat.
- ◆ Laat kinderen of dieren niet in de buurt van de werkomgeving komen, en evenmin het apparaat of netsnoer aanraken.
- ◆ Let extra goed op wanneer u het apparaat in de buurt van kinderen gebruikt.
- ◆ Dit apparaat mag niet zonder supervisie door jonge of lichamelijk zwakke mensen worden gebruikt.
- ◆ Dit apparaat mag niet als speelgoed worden gebruikt.
- ◆ Gebruik het apparaat alleen bij daglicht of goed kunstlicht.
- ◆ Gebruik het apparaat alleen in een droge locatie. Het apparaat mag niet nat worden.
- ◆ Dompel het apparaat niet onder in water.
- ◆ Open de behuizing niet. Het apparaat bevat geen onderdelen die door de gebruiker kunnen worden gerepareerd.
- ◆ Gebruik het apparaat niet in een omgeving met explosiegevaar, zoals in de nabijheid van brandbare vloeistoffen, gassen of stof.

- ◆ Haal de stekker nooit uit het stopcontact door aan de kabel te trekken. Zo voorkomt u beschadiging aan de stekker of de kabel.

## Veiligheid van anderen

- ◆ Dit apparaat mag niet worden gebruikt door personen (waaronder kinderen) met een lichamelijke of geestelijke beperking of die geen ervaring met of kennis van dit apparaat hebben, tenzij ze onder toezicht staan of instructies krijgen wat betreft het gebruik van het apparaat van een persoon die verantwoordelijk is voor hun veiligheid.
- ◆ Er moet toezicht worden gehouden op kinderen om ervoor te zorgen dat deze niet met het gereedschap spelen.
- ◆ Stop met het gebruik van de machine terwijl mensen, vooral kinderen, of huisdieren in de buurt.

## Overige risico's

Er kunnen zich tijdens het gebruik van het gereedschap ook andere risico's voordoen, die misschien niet in de bijgevoegde veiligheidswaarschuwingen worden vermeld. Deze risico's kunnen zich voordoen als gevolg van onoordeelkundig gebruik, langdurig gebruik, enz.

Zelfs als de veiligheidsvoorschriften in acht worden genomen en de veiligheidsvoorzieningen worden geïmplementeerd, kunnen bepaalde risico's niet worden vermeden. Deze omvatten:

- ◆ Verwondingen die worden veroorzaakt door het aanraken van draaiende of bewegende onderdelen.
- ◆ Verwondingen die worden veroorzaakt bij het vervangen van onderdelen, bladen of accessoires.
- ◆ Verwondingen die worden veroorzaakt door langdurig gebruik van het gereedschap. Als u langere periodes met het gereedschap werkt, is het raadzaam om regelmatig een pauze in te lassen.
- ◆ Gehoorbeschadiging.
- ◆ Gezondheidsrisico's als gevolg van het inademen van stof dat door gebruik van het gereedschap wordt veroorzaakt (bijvoorbeeld tijdens het werken met hout, vooral eiken, beuken en MDF.)

## Na gebruik

- ◆ Bewaar het apparaat na gebruik op een droge, goed geventileerde plaats, buiten het bereik van kinderen.
- ◆ Zorg dat het bewaarde apparaat niet toegankelijk is voor kinderen.
- ◆ Wanneer het apparaat in de auto ligt, moet u het apparaat in de kofferruimte plaatsen of goed vastzetten, zodat het apparaat niet kan wegschieten bij plotselinge veranderingen in snelheid of richting.

## Inspectie en reparaties

- ◆ Koppel de machine uit het stopcontact voor het controleren, schoonmaken of het werken aan de machine en



wanneer deze in gebruik is.

- ◆ Controleer het apparaat vóór gebruik op beschadigingen en defecten. Controleer het vooral op gebroken onderdelen en andere omstandigheden die de werking ervan kunnen beïnvloeden.
- ◆ Gebruik het apparaat niet in geval van een of meer beschadigde of defecte onderdelen.
- ◆ Laat beschadigde of defecte onderdelen door een van onze servicecentra repareren of vervangen.
- ◆ Probeer nooit andere onderdelen te verwijderen of vervangen dan in deze handleiding zijn vermeld.

## Een verlengsnoer gebruiken

Gebruik altijd een goedgekeurd verlengsnoer dat geschikt is voor het ingangsvermogen van dit apparaat (zie de technische gegevens). Het verlengsnoer moet geschikt zijn voor gebruik buitenshuis en dient als zodanig te zijn gemarkeerd. Er kan een H05VV-F verlengsnoer van 1,5 mm<sup>2</sup> van maximaal 30 m lang worden gebruikt zonder dat de prestaties van het apparaat afnemen. Controleer het verlengsnoer vóór gebruik op tekenen van beschadiging, slijtage of veroudering. Vervang het verlengsnoer indien het beschadigd of defect is. Als u een haspel gebruikt, rolt u het snoer altijd helemaal af.

## Aanvullende veiligheidsinstructies voor grastrimmers

**Waarschuwing!** Nadat u de motor hebt uitgeschakeld, blijven de maai-elementen draaien.

- ◆ Zorg ervoor dat u vertrouwd bent met de knoppen en met het juiste gebruik van het apparaat.
- ◆ Controleer het netsnoer en het verlengsnoer vóór gebruik op tekenen van beschadiging, veroudering en slijtage. Als het netsnoer tijdens het gebruik wordt beschadigd, moet u onmiddellijk de stekker uit het stopcontact halen. **RAAK HET NETSNOER IN DAT GEVAL PAS AAN WANNEER DE STEKKER UIT HET STOPCONTACT IS.**
- ◆ Gebruik het apparaat niet wanneer het netsnoer beschadigd of versleten is.
- ◆ Draag stevige schoenen of laarzen om uw voeten te beschermen.
- ◆ Draag een lange broek om uw benen te beschermen.
- ◆ Voordat u het apparaat gaat gebruiken, controleert u of het terrein dat u gaat maaien vrij van stokken, stenen, draad en andere obstakels is.
- ◆ Gebruik het apparaat alleen rechtop, met de snijdraad vlak bij de grond. Schakel het apparaat nooit in een andere stand in.
- ◆ Beweeg langzaam wanneer u het apparaat gebruikt. Let op: vers gemaaid gras is vochtig en glad.
- ◆ Werk niet op steile hellingen. Werk dwars over het vlak van een helling, niet omhoog en omlaag.
- ◆ Steek nooit grindpaden of wegen over wanneer het apparaat is ingeschakeld.

- ◆ Zorg ervoor dat u nooit de snijdraad aanraakt terwijl het apparaat in werking is.
- ◆ Leg het apparaat niet weg voordat de snijdraad helemaal tot stilstand is gekomen.
- ◆ Gebruik alleen het juiste type snijdraad. Gebruik nooit metalen snijdraad of visdraad.
- ◆ Zorg ervoor dat u de snijdraadkap niet aanraakt.
- ◆ Zorg ervoor dat het netsnoer uit de buurt van het snijdraad blijft. Zorg ervoor dat u altijd weet waar het snoer zich bevindt.
- ◆ Zorg ervoor dat u altijd uw handen en voeten uit de buurt van het snijdraad houdt, vooral wanneer u de motor inschakelt.
- ◆ Controleer het apparaat op tekenen van slijtage of schade en repareer deze indien nodig, voordat u het apparaat gebruikt en nadat het apparaat ergens tegenaan is gestoten.
- ◆ Gebruik het apparaat nooit met beschadigde beschermkappen of zonder beschermkappen.
- ◆ Zorg ervoor dat u geen verwondingen oploopt door apparaten die worden gebruikt om de snijlijn op lengte te snijden. Nadat u een nieuwe snijlijn hebt uitgetrokken, moet u het apparaat terugbrengen naar de normale gebruikspositie voordat u het apparaat inschakelt.
- ◆ Zorg er altijd voor dat de ventilatiesleuven niet verstopt raken.
- ◆ Gebruik de gazontrimmer (randtrimmer) niet wanneer de snoeren beschadigd of versleten zijn.
- ◆ Houd verlengsnoeren uit de buurt van maai-elementen.

## Labels op het apparaat

Het apparaat is voorzien van de volgende waarschuwingssymbolen:



Lees de handleiding voordat u met het apparaat gaat werken.



Draag een veiligheidsbril of een stofbril als u dit apparaat gebruikt.



Maak gebruik van goede gehoorbescherming wanneer u dit apparaat gebruikt.



Trek altijd de stekker uit het stopcontact voordat u een beschadigd snoer inspecteert. Gebruik de strimmer niet als de kabel is beschadigd.



Wees bedacht op rondvliegende voorwerpen. Houd omstanders uit de buurt van het snijgebied.



Stel de grasmaaier niet bloot aan regen of een hoge luchtvochtigheid.



Richtlijn 2000/14/EG gegarandeerd geluidsvermogen.

### Elektrische veiligheid



Dit apparaat is dubbel geïsoleerd; een aardaansluiting is daarom niet noodzakelijk. Controleer altijd of de netspanning overeenkomt met de waarde op het typeplaatje.

- ◆ Als het netsnoer is beschadigd, moet dit worden vervangen door de fabrikant of een Black & Decker-servicecentrum om gevaren te voorkomen.
- ◆ Met een zeer gevoelige reststromschakelaar (een RCD van 30 mA) wordt het risico van een elektrische schok verkleind.

### Onderdelen

Dit apparaat kan een of meer van de volgende onderdelen bevatten.

1. Aan/uit-schakelaar
2. Steel
3. Snoerhouder
4. Stekkerbus
5. Steungreep
6. Verstelknop
7. Buis
8. Houder voor extra spoel
9. HDL-spoel
10. Beschermkap
11. Snijdraadkap
12. Spoelbehuizing
13. Snijdraad
14. Randwiel

### Monteren

**Waarschuwing!** Zorg vóór aanvang van de montage dat het apparaat is uitgeschakeld en de netstekker is losgekoppeld van het lichtnet.

### Aanbrengen van de beschermkap (fig. A & B)

- ◆ Verwijder de schroef (15) van de beschermkap (10).
- ◆ Plaats de beschermkap (10) zoals aangegeven op het apparaat.
- ◆ Druk stevig op de beschermkap totdat deze vastklikt.
- ◆ Bevestig de beschermkap met de schroef.
- ◆ Draai de schroef aan.

**Waarschuwing!** Gebruik het apparaat nooit wanneer de beschermkap niet juist is bevestigd.

### De tweede greep bevestigen (fig. C)

- ◆ Druk op de verstelknop (6) aan de zijkant van de romp en houd de knop ingedrukt.
- ◆ Schuif de tweede greep (5) op zijn plaats boven de verstelknop (6).

**Waarschuwing!** Zorg dat de tanden op de knop juist zijn uitgelijnd met de sleuven in de greep en dat de greep goed vast zit.

### De stand van de tweede greep aanpassen

#### (fig. D)

De tweede greep (5) kan worden aangepast voor de beste balans en gebruiksgemak.

- ◆ Druk op de verstelknop (6) aan de linkerkant van de greep.
- ◆ Draai de tweede greep (5) in de vereiste stand.
- ◆ Laat de verstelknop (6) los.

**Waarschuwing!** Zorg dat de tanden op de knop juist zijn uitgelijnd met de sleuven in de greep en dat de greep goed vast zit.

### De hoogte van het gereedschap instellen (fig. E en F)

Dit gereedschap heeft een telescopisch mechanisme waarmee u het kunt instellen op een comfortabele werkhogte. Er zijn meerdere hoogte-instellingen.

Stel als volgt de hoogte in:

- ◆ Open de vergrendelinghendel voor hoogteafstelling (16).
- ◆ Schuif de buis (7) voorzichtig in en uit tot deze de gewenste lengte heeft.
- ◆ Sluit de vergrendelinghendel voor hoogteafstelling (16).

### De snijdraad losmaken

Tijdens transport is de snijdraad aan de spoelbehuizing bevestigd met tape.

- ◆ Verwijder de tape waarmee de snijdraad aan de spoelbehuizing (12) is bevestigd.

### De spoel niet wordt gebruikt opslaan (fig. G)

Het apparaat heeft twee snijsystemen:

- ◆ **AFS:** Automatisch verlangen van enkele draad voor licht bijsnijden en randen trimmen.
- ◆ **HDL:** Snijsysteem met dubbele lijn voor zwaar gebruik in overwoekerde gebieden.

**Opmerking:** De HDL-spoel mag uitsluitend worden gebruikt voor snoeien.

Het snijsysteem dat u niet gebruikt, kunt u deze in de houder voor extra spoel opbergen (alleen GL8033 en GL9035).

- ◆ Breng de lipjes (17) op de spoelkap op één lijn met de uitsparingen (18) in de houder voor een extra spoel (8).
- ◆ Druk de kap op de houder voor de extra spoel totdat deze stevig vastklikt.

### Aansluiting van het apparaat op de netspanning (fig. H)

- ◆ Sluit de contrastekker van een geschikt verlengsnoer aan op de stekkerbus (4).
- ◆ Steek het snoer door de snoerhouder (3).
- ◆ Sluit de netstekker aan op de netspanning.

Voor apparaten met een vaste kabel: Controleer of het snoer door de snoerklem is gestoken voordat u de stekker in het stopcontact steekt.

**Waarschuwing!** Het verlengsnoer moet geschikt zijn voor gebruik buitenshuis.

### Gebruik van het gereedschap

**Waarschuwing!** Laat het gereedschap in zijn eigen tempo werken. Niet overbelasten.

### Het gereedschap instellen op snoeien of randafwerking (fig. I en J)

Het gereedschap kan worden gebruikt voor snoeien, zoals weergegeven in fig. I, of voor randafwerking om overhangend gras te snoeien langs gazonranden en bloemperken, zoals weergegeven in fig. J.

#### Snoeien (fig. I)

Voor snoeien moet de snoeikop zich bevinden in de stand die wordt weergegeven in fig. I. Doe het volgende wanneer dit niet het geval is:

- ◆ Open de vergrendelinghendel voor hoogteafstelling (16).
- ◆ Draai de buis (7) rechtsom.
- ◆ Als de kop zich in de juiste positie bevindt, sluit u de vergrendelinghendel voor hoogteafstelling (16).

**Opmerking:** De buis draait slechts in één richting.

**Opmerking:** De HDL-spoel mag worden gebruikt voor snoeien.

#### Randafwerking (fig. J)

Voor randafwerking moet de snoeikop zich bevinden in de stand die wordt weergegeven in fig. J. Doe het volgende wanneer dit niet het geval is:

- ◆ Open de vergrendelinghendel voor hoogteafstelling (16).
- ◆ Draai de buis (7) linksom.
- ◆ Als de kop zich in de juiste positie bevindt, sluit u de vergrendelinghendel voor hoogteafstelling (16).

**Opmerking:** De buis draait slechts in één richting.

### In- en uitschakelen

- ◆ Druk de aan-uitschakelaar (1) in om het gereedschap in te schakelen.
- ◆ Laat de trekker los om het apparaat uit te schakelen.

**Waarschuwing!** Probeer nooit om een trekker in de ingeschakelde stand te vergrendelen.

### Tips voor optimaal gebruik

#### Algemeen

- ◆ U krijgt de beste maieresultaten wanneer u uitsluitend droog gras maait.

#### Trimmen

- ◆ Houd het gereedschap vast, zoals wordt aangegeven in fig. K.
- ◆ Beweeg de trimmer rustig van de ene naar de andere kant.
- ◆ Wanneer u lang gras maait, moet u in stappen van bovenaf maaien. Maai telkens een klein stuk.
- ◆ Houd het apparaat uit de buurt van harde voorwerpen en tere planten.
- ◆ De snijdraad slijt sneller en moet vaker verlengd worden wanneer u vaak langs stoepen of andere schurende oppervlakken maait, of wanneer u zwaar onkruid maait.
- ◆ Verlaag de belasting wanneer het apparaat langzamer draait.

#### Randafwerking

De beste snoeieresultaten worden verkregen op randen die dieper dan 50 mm zijn.

- ◆ Gebruik het gereedschap niet om randen te maken. Gebruik een spade om randen te maken.
- ◆ Beweeg het gereedschap via het wiel zoals wordt aangegeven in fig. L.
- ◆ Hef het gereedschap een beetje omhoog om korter te snoeien.

### Een nieuwe spoel met snijdraad plaatsen (fig. M en N)

Vervangende spoelen met snijdraad zijn verkrijgbaar via uw Black & Decker-leverancier (cat. nr. A6482). Pakketten met drie spoelen met snijdraad zijn ook verkrijgbaar (cat. nr. A6486).

- ◆ Haal de stekker uit het stopcontact.
- ◆ Houd de lipjes (17) ingedrukt en verwijder de spoelkap (21) van de behuizing (12) (fig. M).
- ◆ Verwijder de lege spoel (22) uit de spoelkap.
- ◆ Verwijder alle vuil en gras van de spoelkap en de behuizing.
- ◆ Maak het uiteinde van de snijdraad los en geleid de draad door de oogjes (23) (fig. M). De draad moet ongeveer 11 cm buiten de spoelkap steken.

**Opmerking:** Zorg dat de lijn op de spoel niet gaat rafelen. Houd het apparaat te allen tijde met minimaal één hand vast.

- ◆ Neem de nieuwe spoel en druk deze op de naaf in de spoelkap. Draai de spoel licht totdat deze stevig is geplaatst.
- ◆ Breng de lipjes (17) op de spoelkap op één lijn met de uitsparingen (24) in de behuizing (12).
- ◆ Druk de kap op de behuizing totdat deze stevig vastklikt.

**Waarschuwing!** Als de snijdraden verder uitsteken dan de snijdraadkap (11), moet u de draad afsnijden totdat deze niet verder dan de kap reikt.

### Een nieuwe spoel met snijdraad voor zwaar gebruik plaatsen (fig. O en P)

Vervangende verpakkingen met 10 snijdraden voor zwaar gebruik zijn verkrijgbaar via uw Black & Decker-leverancier (cat.nr. A6489). Een nieuwe spoel met snijdraad voor zwaar gebruik plaatsen:

- ◆ Haal de stekker uit het stopcontact.
- ◆ Houd de lipjes (17) ingedrukt en verwijder de HDL-kap (9) van de behuizing (12).
- ◆ Verwijder alle vuil en gras van de HDL-kap (9) en de behuizing.
- ◆ Verwijder het gebruikte deel van de lijn uit de HDL-kap (9).
- ◆ Haal een nieuw stuk lijn (20) door de oogjes (27) in de zijkanalen en de HDL-kap.
- ◆ Plaats het middelste draadoog (28) in de aangegeven positie (fig. P).
- ◆ Plaats de HDL-kap terug.

**Waarschuwing!** Gebruik alleen het juiste type Black & Decker snijdraad.

### Netstekker vervangen (alleen Verenigd Koninkrijk en Ierland)

Als er een nieuwe netstekker moet worden aangebracht:

- ◆ Gooi de oude stekker op verantwoorde wijze weg.
- ◆ Verbind de bruine draad met de spannings-/fasepool in de nieuwe stekker.
- ◆ Verbind de blauwe draad met de nul-/neutraalpool.

**Waarschuwing!** De aardepool hoeft niet te worden aangesloten. Volg de bevestigingsinstructies die met hoogwaardige stekkers worden meegeleverd. Aanbevolen zekering: 5 A.

### Problemen oplossen

Als het apparaat niet goed lijkt te werken, volgt u de onderstaande instructies op. Neem contact op met het dichtstbijzijnde Black & Decker-servicecentrum als u het probleem niet kunt verhelpen.

**Waarschuwing!** Haal de stekker van het gereedschap uit het stopcontact voordat u doorgaat.

### Het apparaat draait langzaam

- ◆ Controleer of de spoelbehuizing vrij kan draaien. Reinig de behuizing zorgvuldig, indien nodig.
- ◆ Controleer of de snijdraad niet meer dan 11 cm uit de spoelbehuizing steekt. Als de snijdraad verder uitsteekt dan 11 cm, moet u de draad afsnijden totdat deze niet verder dan de snijdraadkap reikt.

### Het automatisch langer maken van de draad werkt niet

- ◆ Houd de lipjes ingedrukt en verwijder de spoelkap van de behuizing.
- ◆ Trek aan de snijdraad, totdat deze 11 cm uit de behuizing steekt. Als de spoel onvoldoende snijdraad bevat, moet u een nieuwe spoel met snijdraad plaatsen, zoals hierboven aangegeven.
- ◆ Breng de lipjes op de spoelkap op één lijn met de uitsparingen in de behuizing.
- ◆ Druk de kap op de behuizing totdat deze stevig vastklikt.
- ◆ Als de snijdraad verder uitsteekt dan de snijdraadkap, moet u de draad afsnijden totdat deze niet verder dan de kap reikt.

Als het automatisch verlengen niet werkt, of wanneer de spoel is geblokkeerd, kunt u de volgende suggesties proberen:

- ◆ Reinig de spoelkap en de behuizing voorzichtig.
- ◆ Verwijder de spoel en controleer of de hendel vrij kan bewegen.
- ◆ Verwijder de spoel en wikkel de snijdraad af. Wikkel deze netjes weer op, zoals hierboven beschreven. Vervang de spoel zoals beschreven.

### Het milieu beschermen



Aparte inzameling. Dit product mag niet met normaal huishoudelijk afval worden weggegooid.

Mocht u op een dag constateren dat het Black & Decker-product aan vervanging toe is of dat u het apparaat niet meer nodig hebt, gooi het product dan niet bij het restafval. Het product valt onder de categorie voor elektrische apparaten.



Gescheiden inzameling van gebruikte producten en verpakkingsmaterialen maakt het mogelijk materialen te recyclen en opnieuw te gebruiken. Hergebruik van gerecycleerde materialen zorgt voor minder milieuvervuiling en dringt de vraag naar grondstoffen terug.

Plaatselijke verordeningen kunnen voorzien in gescheiden inzameling van huishoudelijke elektrische producten via gemeentelijke stortplaatsen of via de leverancier bij wie u een nieuw product aanschaft.

Black & Decker biedt de mogelijkheid tot het recyclen van afgedankte Black & Decker-producten. Om gebruik te maken van deze service, dient u het product naar een van onze servicecentra te sturen, die de inzameling voor ons verzorgen.

U kunt het adres van het dichtstbijzijnde Black & Decker-servicecentrum opvragen via de adressen op de achterzijde van deze handleiding. U kunt ook een lijst van Black & Decker-servicecentra en meer informatie m.b.t. onze klantenservice vinden op het volgende internetadres: [www.2helpU.com](http://www.2helpU.com)

## Technische gegevens

		GL7033 (Type 1)	GL8033 (Type 1)	GL9035 (Type 1)
Spanning	$V_{AC}$	230	230	230
Opgenomen vermogen	W	700	800	900
Onbelast toerental	$\text{min}^{-1}$	7000	7000	7000
Gewicht	kg	3.2	3.2	3.2

### Geluidsdrumniveau:

Geluidsdruk ( $L_{pA}$ ) 80 dB(A), meetonzekerheid (K) 2 dB(A)

Geluidsvermogen ( $L_{WA}$ ) 94 dB(A), meetonzekerheid (K) 2 dB(A)

### Totale trillingswaarden (som triaxvector) volgens EN 786:

Waarde trillingsemisatie ( $a_{wv}$ )  $8.2 \text{ m/s}^2$ , meetonzekerheid (K)  $1.5 \text{ m/s}^2$

## EG-conformiteitsverklaring

MACHINERICHTLIJN  
RICHTLIJN VOOR GELUID BUITENSHUIS



GL7033/GL8033/GL9035

Black & Decker verklaart dat deze producten, die zijn beschreven bij 'Technische gegevens', voldoen aan:  
2006/42/EG, EN 60335-1, EN 60335-2-91  
2000/14/EG, Gazontrimmer,  $L \leq 50 \text{ cm}$ , bijlage VIII  
KEMA Quality B.V., Utrechtseweg 310, 6802 ED Arnhem, Nederland  
Aangemelde instantie ID Nr.: 0344

Geluidsvermogen, volgens 2000/14/EG  
(Artikel 12, bijlage III,  $l \leq 50 \text{ cm}$ ):  
LWA (gemeten geluidsvermogen) 94 dB(A)  
onzekerheid (K) = 2 dB(A)  
LWA (gegarandeerd geluidsvermogen) 96 dB(A)  
onzekerheid (K) = 2 dB(A)

Deze producten voldoen tevens aan richtlijn 2004/108/EG en 2011/65/EU.

Neem voor meer informatie contact op met Black & Decker op het volgende adres of raadpleeg de achterzijde van de handleiding.

Ondergetekende is verantwoordelijk voor de compilatie van het technische bestand en geeft deze verklaring namens Black & Decker af.

Kevin Hewitt  
Vice-President Global Engineering  
Black & Decker Europe, 210 Bath Road, Slough,  
Berkshire, SL1 3YD  
Verenigd Koninkrijk  
04/10/2012

## Garantie

Black & Decker heeft vertrouwen in haar producten en biedt een uitstekende garantie. Deze garantiebepalingen vormen een aanvulling op uw wettelijke rechten en beperken deze niet. De garantie geldt in de lidstaten van de Europese Unie en de Europese Vrijhandelsassociatie.

Mocht uw Black & Decker product binnen 24 maanden na de datum van aankoop defect raken ten gevolge van materiaal- of constructiefouten, dan garanderen wij de kosteloze vervanging van defecte onderdelen, de reparatie van het product of de vervanging van het product, tenzij:

- ◆ Het product is gebruikt voor handelsdoeleinden, professionele toepassingen of verhuurdoeleinden.
- ◆ Het product onoordeelkundig is gebruikt.
- ◆ Het product is beschadigd door invloeden van buitenaf of door een ongeval.
- ◆ Reparaties zijn uitgevoerd door anderen dan onze servicecentra of Black & Decker-personeel.

Om een beroep te doen op de garantie, dient u een aankoopbewijs te overhandigen aan de verkoper of een van onze servicecentra. U kunt het adres van het dichtstbijzijnde Black & Decker-servicecentrum opvragen via de adressen op de achterzijde van deze handleiding. U kunt ook een lijst van Black & Decker-servicecentra en meer informatie m.b.t. onze klantenservice vinden op het volgende internetadres: [www.2helpU.com](http://www.2helpU.com)

Meld u aan op onze website [www.blackanddecker.nl](http://www.blackanddecker.nl) om te worden geïnformeerd over nieuwe producten en speciale aanbiedingen. Verdere informatie over het merk Black & Decker en onze producten vindt u op [www.blackanddecker.nl](http://www.blackanddecker.nl).

## Uso previsto

La cortadora de Black & Decker se ha diseñado para cortar y acabar bordes del césped y cortar césped en zonas difíciles. Este aparato se ha diseñado únicamente para uso doméstico.

## Instrucciones de seguridad

**¡Atención!** Si utiliza aparatos conectados a la red eléctrica, es necesario seguir las precauciones de seguridad básicas, incluidas las que se indican a continuación, para reducir el riesgo de incendios, descargas eléctricas, lesiones y daños materiales.

**¡Atención!** Cuando utilice el aparato se deben seguir las normas de seguridad. Por su propia seguridad y por la de otras personas, lea estas instrucciones antes de utilizar el aparato. Conserve estas instrucciones para consultarlas en un futuro.

- ◆ Lea todo el manual detenidamente antes de utilizar el aparato.
- ◆ En este manual se describe el uso para el que se ha diseñado el aparato. La utilización de accesorios o la realización de operaciones distintas de las recomendadas en este manual de instrucciones puede presentar un riesgo de lesiones.
- ◆ Conserve este manual para futuras consultas.

## Utilización del aparato

Tenga siempre mucho cuidado al utilizar el aparato.

- ◆ Utilice siempre gafas protectoras.
- ◆ Nunca permita que los niños ni las personas no familiarizadas con estas instrucciones utilicen el aparato.
- ◆ Evite que los niños y animales se acerquen a la zona de trabajo y toquen el aparato o el cable de alimentación.
- ◆ Procure tener cuidado si utiliza el aparato cerca de niños.
- ◆ Este aparato está pensado para utilizarse con la supervisión correspondiente en el caso de menores o personas que no cuentan con la fuerza necesaria.
- ◆ Este aparato no es un juguete.
- ◆ Utilice el aparato únicamente a la luz del día o con iluminación artificial adecuada.
- ◆ Utilícelo únicamente en lugares secos. Tenga cuidado de no mojar el aparato.
- ◆ No sumerja el aparato en agua.
- ◆ No abra la carcasa. Las piezas del interior del aparato no pueden ser reparadas por el usuario.
- ◆ No utilice el aparato en un entorno con peligro de explosión, en el que se encuentren líquidos, gases o materiales en polvo inflamables.
- ◆ Para evitar dañar las clavijas o los cables, no tire nunca del cable para extraer la clavija de la toma de corriente.

## Seguridad de terceros

- ◆ Ninguna persona (incluyendo niños) con capacidades físicas, sensoriales o mentales disminuidas, o que carezca de experiencia y conocimientos, debe utilizar este aparato, salvo que haya recibido supervisión o formación con respecto al uso del aparato por parte de una persona responsable de su seguridad.
- ◆ Los niños deben vigilarse en todo momento para garantizar que el aparato no se toma como elemento de juego.
- ◆ Deje de usar la máquina mientras que la gente, especialmente niños, o animales domésticos.

## Riesgos residuales.

El uso de esta herramienta puede producir riesgos residuales adicionales no incluidos en las advertencias de seguridad adjuntas. Estos riesgos se pueden generar por un uso incorrecto, demasiado prolongado, etc.

El cumplimiento de las normas de seguridad correspondientes y el uso de dispositivos de seguridad no evitan ciertos riesgos residuales. Estos riesgos incluyen:

- ◆ Lesiones producidas por el contacto con piezas móviles o giratorias.
- ◆ Lesiones producidas al cambiar cualquier pieza, cuchilla o accesorio.
- ◆ Lesiones producidas al usar una herramienta por un tiempo demasiado prolongado. Si utiliza una herramienta durante períodos de tiempo demasiado prolongados, asegúrese de realizar pausas con frecuencia.
- ◆ Discapacidad auditiva.
- ◆ Riesgos para la salud producidos al respirar el polvo que se genera al usar la herramienta (por ejemplo: en los trabajos con madera, especialmente de roble, haya y tableros de densidad mediana).

## Después de la utilización

- ◆ Cuando el aparato no esté en uso, deberá guardarse en un lugar seco, bien ventilado y lejos del alcance de los niños.
- ◆ Los niños no deben tener acceso a los aparatos guardados.
- ◆ Cuando se guarde o transporte el aparato en un vehículo, deberá colocarse en el maletero o asegurarse para evitar movimientos producidos por cambios repentinos en la velocidad o la dirección.

## Inspecciones y reparaciones

- ◆ Desconecte el aparato de la red eléctrica antes de inspeccionar, limpiar o trabajar en la máquina y cuando está en uso.
- ◆ Antes de utilizarlo, compruebe que el aparato no tiene piezas dañadas o defectuosas. Compruebe que no hay piezas rotas u otros defectos que puedan afectar al funcionamiento del aparato.

- ◆ No utilice el aparato si presenta alguna pieza dañada o defectuosa.
- ◆ Solicite a un agente de servicio técnico autorizado la reparación o sustitución de las piezas dañadas o defectuosas.
- ◆ Nunca intente extraer ni sustituir piezas no especificadas en este manual.

### Utilización de un cable de prolongación

Utilice siempre un cable de prolongación adecuado para la entrada de corriente de este aparato (consulte la ficha técnica). El cable de prolongación debe ser adecuado para su uso en exteriores y presentar las indicaciones oportunas. Se puede utilizar un cable de prolongación HO5VV-F de 1.5 mm<sup>2</sup> y de hasta 30 m sin pérdida de rendimiento del producto. Antes de utilizar el cable de prolongación, compruebe que no está dañado, gastado o deteriorado. Si está dañado o defectuoso, sustitúyalo. Cuando utilice una bobina de cable, desenrolle siempre todo el cable.

### Instrucciones de seguridad adicionales para cortadoras de césped

¡Atención! Una vez apagado el motor, los elementos que se están cortando continuarán girando.

- ◆ Familiarícese con los controles y el uso correcto del aparato.
- ◆ Antes de utilizar el cable de alimentación y el cable de extensión, compruebe que no están dañados, gastados o deteriorados. Si se daña un cable mientras utiliza el producto, desconecte el cable de la red eléctrica inmediatamente. **NO TOQUE EL CABLE SIN HABERLO DESCONECTADO PREVIAMENTE DE LA RED ELÉCTRICA.**
- ◆ No utilice el aparato si los cables están dañados o desgastados.
- ◆ Utilice calzado resistente para proteger los pies.
- ◆ Vista pantalones largos para proteger las piernas.
- ◆ Antes de utilizar el aparato, compruebe que la zona que vaya a cortar no tenga ramas, piedras, alambres o ningún otro obstáculo.
- ◆ Utilice el aparato solamente en posición vertical, con la línea de corte cerca del suelo. No conecte nunca el aparato en otra posición.
- ◆ Mueva lentamente el aparato cuando lo utilice. Tenga en cuenta que el césped recién cortado está húmedo y resbaladizo.
- ◆ No trabaje en pendientes pronunciadas. Trabaje en sentido transversal a la pendiente, no hacia arriba o abajo.
- ◆ Nunca cruce caminos de grava ni carreteras mientras el aparato está en funcionamiento.
- ◆ Nunca toque la línea de corte mientras el aparato está en funcionamiento.

- ◆ No deposite el aparato hasta que la línea de corte se detenga por completo.
- ◆ Utilice únicamente el tipo de línea de corte apropiado. Nunca utilice líneas de corte o sedales de metal.
- ◆ Tenga cuidado de no tocar la hoja de la línea de corte.
- ◆ Tenga sumo cuidado en mantener el cable de alimentación lejos de la línea de corte. Tenga cuidado con la posición del cable en todo momento.
- ◆ Mantenga las manos y los pies alejados de la línea de corte en todo momento, especialmente al encender el motor.
- ◆ Antes de utilizar el aparato y después de cualquier impacto, compruebe si hay señales de desgaste o daños y repárelos si fuera necesario.
- ◆ Nunca utilice el aparato con protectores dañados o que no estén colocados en su lugar.
- ◆ Tome precauciones contra las lesiones causadas por cualquier dispositivo colocado para cortar la línea de filamentos. Después de prolongar una nueva línea de corte, coloque de nuevo el aparato en su posición normal de funcionamiento antes de encenderlo.
- ◆ Asegúrese siempre de que las ranuras de ventilación no tengan restos.
- ◆ No utilice el cortacésped (cortasetos) si los cables están dañados o desgastados.
- ◆ Mantenga los cables de extensión alejados de los elementos de corte.

### Etiquetas del aparato

El aparato cuenta con los siguientes símbolos de advertencia:



Lea el manual antes de utilizar el aparato.



Cuando utilice el aparato, lleve siempre gafas protectoras.



Cuando maneje el aparato, utilice protectores para los oídos adecuados.



Antes de revisar un cable dañado, retire siempre la clavija del enchufe de corriente. No utilice la cortadora si el cable está estropeado.



Tenga cuidado con los objetos que salen volando. Mantenga a otras personas alejadas de la zona de corte.





No exponga el aparato a la lluvia ni a una humedad elevada.



Directiva 2000/14/CE sobre la potencia acústica garantizada.

### Seguridad eléctrica



El aparato lleva un doble aislamiento; por lo tanto no requiere una toma a tierra. Compruebe siempre que la tensión de la red corresponda con el valor indicado en la placa de datos de la herramienta.

- ◆ Si se dañara el cable de alimentación, deberá ser sustituido por el fabricante o por un centro de asistencia técnica autorizado de Black & Decker para evitar cualquier situación de riesgo.
- ◆ Se puede incrementar la seguridad eléctrica mediante dispositivos de corriente residual de 30 mA de alta sensibilidad.

### Características

Este aparato incluye una o más de las siguientes características.

1. Interruptor de encendido/apagado
2. Mango
3. Fijación para el cable
4. Entrada de alimentación
5. Empuñadura secundaria
6. Botón de ajuste
7. Tubo
8. Almacenamiento de bobinas de repuesto
9. Bobina HDL
10. Protector
11. Hoja de línea de corte
12. Compartimento para la bobina
13. Línea de corte
14. Disco de corte

### Montaje

¡Atención! Antes de proceder al montaje, compruebe que la herramienta está apagada y desenchufada.

#### Ajuste del protector (figs. A y B)

- ◆ Retire el tornillo (15) del protector (10).
- ◆ Coloque el protector (10) en la herramienta tal como se muestra.
- ◆ Presione firmemente el protector hasta que encaje en su sitio.

- ◆ Fije el protector con el tornillo.
- ◆ Apriete el tornillo.

¡Atención! Nunca utilice la herramienta a menos que el protector esté colocado correctamente.

#### Colocación del mango secundario (fig. C)

- ◆ Mantenga pulsado el botón de ajuste (6) que hay en el lateral del cuerpo principal.
- ◆ Deslice el mango secundario (5) hasta que quede colocado en su sitio, por encima del botón de ajuste (6).

¡Atención! Asegúrese de que los dientes del botón queden correctamente alineados en las ranuras del mango y de que dicho mango esté colocado firmemente.

#### Ajuste de la posición del mango secundario

##### (fig. D)

Puede ajustar el mango secundario (5) para obtener el máximo equilibrio y comodidad.

- ◆ Pulse el botón de ajuste (6) que hay en lateral izquierdo del mango.
- ◆ Gire el mango secundario (5) hasta que quede en la posición deseada.
- ◆ Pulse el botón de ajuste (6).

¡Atención! Asegúrese de que los dientes del botón queden correctamente alineados en las ranuras del mango y de que dicho mango esté colocado firmemente.

#### Ajuste de la altura de la herramienta (figs. E y F)

Esta herramienta dispone de un mecanismo telescópico que permite regular la altura para su comodidad. El aparato puede colocarse a muchas alturas.

Para ajustar la altura, siga los pasos siguientes:

- ◆ Suelte la palanca de bloqueo de ajuste de altura (16).
- ◆ Deslice suavemente el tubo (7) hacia arriba o hacia abajo hasta que quede a la altura deseada.
- ◆ Cierre la palanca de bloqueo de ajuste de altura (16).

#### Extracción de la línea de corte

Mientras se encuentra en tránsito, la línea de corte está sujeta con una cinta al compartimento para la bobina.

- ◆ Extraiga la cinta que sujeta la línea de corte al compartimento para la bobina (12).

#### Almacenamiento de la bobina que no se utilice (fig. G)

La herramienta tiene dos sistemas de corte:

- ◆ **AFS (Bobina de alimentación automática):** alimentación automática de hilo único para cortes y orillados suaves.
- ◆ **Hilo de alto rendimiento (HDL, por sus siglas en inglés):** sistema de corte con doble hilo de alto rendimiento (HDL) para zonas más crecidas.

**Nota:** la bobina HDL solo se debe utilizar en modo de corte. El sistema de corte que no se utilice puede guardarse en el almacenaje de bobinas de repuesto (solo los modelos GL8033 y GL9035).

- ◆ Alinee las lengüetas (17) de la cubierta de la bobina con los cortes (18) en el almacenamiento de bobinas de repuesto (8).
- ◆ Empuje la cubierta en el almacenamiento de bobinas de repuesto hasta que quede bien colocada.

### Conexión de la herramienta a la corriente (fig. H)

- ◆ Conecte el enchufe hembra de un cable de prolongación adecuado a la toma eléctrica de la herramienta (4).
- ◆ Enrolle el cable a través de la fijación del cable (3).
- ◆ Introduzca el enchufe en una toma de corriente.

Para conectarse en unidades de cable: asegúrese de que el cable está enrollado en la fijación antes de conectar el enchufe a la toma de corriente.

**¡Atención!** El cable de prolongación debe ser adecuado para el uso en exteriores.

### Uso

**¡Atención!** Deje que la herramienta funcione a su ritmo. No la sobrecargue.

### Configuración de la herramienta en modo de corte o de orillado (figs. I y J)

La herramienta puede utilizarse en modo de corte (fig. I) o de orillado, para cortar la hierba que sobresale por encima de los bordes del césped y los parterres (fig. J).

#### Modo de corte (fig. I)

Para cortar, la cabeza de la cortadora debería estar en la posición que se muestra en la fig. I. Si no es así:

- ◆ Suelte la palanca de bloqueo de ajuste de altura (16).
- ◆ Gire el tubo (7) en el sentido de las agujas del reloj.
- ◆ Cuando la cabeza esté en posición, cierre la palanca de bloqueo de ajuste de altura (16).

**Nota:** el tubo solamente girará en un sentido.

**Nota:** la bobina HDL se debe utilizar en modo de corte.

#### Modo de orillado (fig. J)

Para orillar, la cabeza de la cortadora debería estar en la posición que se muestra en la fig. J. Si no es así:

- ◆ Suelte la palanca de bloqueo de ajuste de altura (16).
- ◆ Gire el tubo (7) en sentido opuesto al de las agujas del reloj.
- ◆ Cuando la cabeza esté en posición, cierre la palanca de bloqueo de ajuste de altura (16).

**Nota:** el tubo solamente girará en un sentido.

### Encendido y apagado

- ◆ Para encender la herramienta, pulse el botón de encendido/apagado (1).
- ◆ Para apagar la herramienta, suelte el gatillo.

**¡Atención!** No intente nunca trabar un gatillo en la posición de encendido.

### Consejos para un uso óptimo

#### General

- ◆ Para obtener unos resultados de corte óptimos, corte únicamente hierba seca.

#### Corte

- ◆ Sujete la herramienta como se muestra en la fig. K.
- ◆ Balancee suavemente la cortadora de un lado a otro.
- ◆ Cuando corte césped largo, trabaje por fases desde arriba. Realice cortes pequeños.
- ◆ Mantenga la herramienta alejada de objetos duros y plantas delicadas.
- ◆ La línea de corte se desgastará con más rapidez y necesitará más alimentación si el corte se realiza junto a pavimentos u otras superficies abrasivas, o si se cortan malas hierbas resistentes.
- ◆ Si la herramienta comienza a funcionar lentamente, reduzca la carga.

#### Orillado

Los mejores resultados de corte se obtienen en los bordes de más de 50 mm de profundidad.

- ◆ No utilice la herramienta para crear bordes. Para crear bordes, utilice una pala de orillado.
- ◆ Guíe la herramienta sobre su disco como se muestra en la fig. L.
- ◆ Para realizar un corte más cercano, incline ligeramente la herramienta.

### Colocación de una nueva bobina de línea de corte (figs. M y N)

Encontrará bobinas de línea de corte de repuesto en el distribuidor de Black & Decker más cercano (n.º de cat. A6482). También podrá encontrar paquetes de tres bobinas de línea de corte (n.º de cat. A6486).

- ◆ Desenchufe la herramienta.
- ◆ Mantenga las lengüetas (17) presionadas y extraiga la cubierta de la bobina (21) del compartimento (12) (fig. M).
- ◆ Retire la bobina vacía (22) de su cubierta.
- ◆ Elimine la suciedad y los restos de césped de la cubierta y el compartimento de la bobina.
- ◆ Libere el extremo de la línea de corte y guíe la línea hasta el interior de la abertura (23) (fig. M). La línea debería sobresalir unos 11 cm de la cubierta de la bobina.

**Nota:** Tenga cuidado de que el hilo de la bobina no se enrede. Sosténgalo bien con una mano en todo momento.

- ◆ Sujete la bobina nueva y empújela por el interior del eje central situado en la cubierta de la bobina. Gire ligeramente la bobina hasta que quede perfectamente encajada.
- ◆ Alinee las lengüetas (17) de la cubierta de la bobina con los cortes (24) del compartimento (12).
- ◆ Empuje la cubierta en el compartimento hasta que se coloque en su lugar correctamente.

**¡Atención!** Si la línea de corte sobresale más allá de la hoja de corte (11), córtela de modo que llegue hasta la hoja.

### Colocación de una nueva pieza de línea de corte de alto rendimiento (figs. O y P)

Encontrará paquetes de 10 líneas de corte de alto rendimiento en el distribuidor de Black & Decker más cercano (n.º cat. A6489). Para colocar una nueva pieza de línea de corte, hágalo de este modo:

- ◆ Desenchufe la herramienta.
- ◆ Mantenga las lengüetas (17) presionadas y extraiga la cubierta de la bobina HDL (9) del compartimento (12).
- ◆ Elimine la suciedad y los restos de césped de la cubierta HDL (9) y del compartimento.
- ◆ Extraiga la pieza usada de línea de la cubierta HDL (9).
- ◆ Pase un trozo nuevo de hilo (20) por las aberturas (27) que hay en cada uno de los lados de la cubierta HDL.
- ◆ Coloque la anilla central (28) en la posición que se indica (fig. P).
- ◆ Ajuste la cubierta HDL.

**¡Atención!** Utilice únicamente el tipo de línea de corte apropiado de Black & Decker.

### Sustitución del enchufe de la red eléctrica (sólo para el Reino Unido e Irlanda)

Si es necesario colocar un nuevo enchufe para la red eléctrica:

- ◆ Deseche el enchufe anterior según las normas de seguridad.
- ◆ Conecte el cable marrón al terminal conductor del nuevo enchufe.
- ◆ Conecte el cable azul al terminal neutro.

**¡Atención!** No se debe realizar ninguna conexión al terminal de conexión a tierra. Siga las instrucciones de montaje que se suministran con los enchufes de buena calidad. Fusible recomendado: 5 A.

### Solución de problemas

Si le parece que la herramienta no funciona de forma adecuada siga las instrucciones que se indican a continuación. Si no se resuelve el problema, póngase en contacto con un técnico autorizado de Black & Decker.

**¡Atención!** Antes de hacerlo, desconecte la herramienta.

### La herramienta funciona lentamente

- ◆ Compruebe que el compartimento para la bobina puede girar sin problemas. Límpiolo con cuidado si fuera necesario.
- ◆ Compruebe que la línea de corte no sobresale más de 11 cm del compartimento para la bobina. Si sobresale, córtela de modo que sólo llegue hasta la altura de la hoja de la línea de corte.

### La alimentación automática de la línea no funciona

- ◆ Mantenga las lengüetas presionadas y extraiga la cubierta de la bobina del compartimento.
- ◆ Empuje la línea de corte hasta que sobresalga 11 cm del compartimento. Si se deja una línea de corte insuficiente en el bobina, instale una nueva bobina de línea de corte como se indica anteriormente.
- ◆ Alinee las lengüetas de la cubierta de la bobina con los cortes del compartimento.
- ◆ Empuje la cubierta en el compartimento hasta que se coloque en su lugar correctamente.
- ◆ Si la línea de corte sobresale más allá de la hoja de corte, córtela de modo que llegue justo hasta la altura de la hoja.

Si la alimentación automática de la línea no funciona o la bobina está atascada, pruebe a hacer lo siguiente:

- ◆ Limpie con cuidado la cubierta de la bobina y su compartimento.
- ◆ Extraiga la bobina y compruebe si la palanca puede moverse libremente.
- ◆ Retire la bobina, desenrolle la línea de corte y, a continuación, enróllela otra vez sin que cuelgue, como se describe anteriormente. Sustituya la bobina como se ha indicado.

### Protección del medio ambiente



Recogida selectiva. No se debe desechar este producto con el resto de residuos domésticos.

Si llegase el momento en que fuese necesario sustituir su producto Black & Decker o si este dejase de tener utilidad para usted, no lo deseche junto con los residuos domésticos. Sepárelo para su recogida selectiva.



La recogida selectiva de productos y embalajes usados permite el reciclaje de materiales y su reutilización.

La reutilización de materiales reciclados contribuye a evitar la contaminación medioambiental y reduce la demanda de materias primas.

Las normativas municipales deben ofrecer la recogida selectiva de productos eléctricos del hogar, en puntos municipales previstos para tal fin o a través del distribuidor cuando adquiera un nuevo producto.

Black & Decker proporciona facilidades para la recogida y reciclado de los productos Black & Decker que han llegado al final de su vida útil. Para poder utilizar este servicio, le rogamos que entregue el producto a cualquier agente de servicio técnico autorizado para que se haga cargo de él en nuestro nombre.

Puede consultar la dirección de su agente de servicio técnico más cercano si se pone en contacto con la oficina local de Black & Decker en la dirección que se indica en este manual. Como opción alternativa, puede consultar la lista de los agentes de servicio técnico autorizados de Black & Decker y obtener la información completa de nuestros servicios de posventa y los contactos disponibles en la siguiente dirección de Internet: [www.2helpU.com](http://www.2helpU.com)

### Ficha técnica

		GL7033 (Tipo 1)	GL8033 (Tipo 1)	GL9035 (Tipo 1)
Voltaje	$V_{AC}$	230	230	230
Potencia de entrada	W	700	800	900
Velocidad sin carga	$\text{min}^{-1}$	7000	7000	7000
Peso	kg	3.2	3.2	3.2

<b>Nivel de presión acústica:</b>	
Presión acústica ( $L_{pA}$ )	80 dB (A), incertidumbre (K) 2 dB (A)
Potencia acústica ( $L_{WA}$ )	94 dB(A), incertidumbre (K) 2 dB(A)

<b>Valores totales de vibración (suma vectorial triaxial) de acuerdo con la directiva EN 786:</b>	
Valor de emisión de vibraciones ( $a_w$ )	8.2 $\text{m/s}^2$ , incertidumbre (K) 1.5 $\text{m/s}^2$

## Declaración de conformidad de la CE

DIRECTIVA DE MAQUINARIAS  
DIRECTIVA SOBRE LA EMISIÓN DE RUIDO EN EXTERIORES



GL7033/GL8033/GL9035

Black & Decker declara que los productos descritos en la "ficha técnica" cumplen con las siguientes directrices:  
2006/42/CE, EN 60335-1, EN 60335-2-91  
2000/14/CE, Cortacésped,  $L \leq 50$  cm, Anexo VIII  
KEMA Quality B.V., Utrechtseweg 310, 6802 ED Arnhem,  
Países Bajos  
N.º de ID del departamento notificado: 0344

Nivel de potencia acústica de acuerdo con 2000/14/CE  
(Artículo 12, Anexo III,  $L \leq 50$  cm):  
LWA (potencia acústica medida) 94 dB(A)  
incertidumbre (K) = 2 dB(A)  
LWA (potencia acústica garantizada) 96 dB(A)  
incertidumbre (K) = 2 dB(A)

Estos productos también cumplen con las Directivas  
2004/108/CE y 2011/65/UE.

Si desea obtener más información, póngase en contacto con Black & Decker a través de la siguiente dirección o consulte el dorso del manual.

La persona que firma a continuación es responsable de la elaboración del archivo técnico y realiza esta declaración en nombre de Black & Decker.

Kevin Hewitt  
Vicepresidente de Ingeniería global  
Black & Decker Europe, 210 Bath Road, Slough,  
Berkshire, SL1 3YD  
Reino Unido  
04/10/2012

## Garantía

Black & Decker confía plenamente en la calidad de sus productos y ofrece una garantía extraordinaria. Esta declaración de garantía es un añadido, y en ningún caso un perjuicio para sus derechos legales. La garantía es válida dentro de los territorios de los Estados miembros de la Unión Europea y de los de la Zona Europea de Libre Comercio.

Si un producto Black & Decker resultara defectuoso debido a materiales o mano de obra defectuosos o a la falta de conformidad, Black & Decker garantiza, dentro de los 24 meses de la fecha de compra, la sustitución de las piezas defectuosas, la reparación de los productos sujetos a un desgaste y rotura razonables o la sustitución de tales productos para garantizar al cliente el mínimo de inconvenientes, a menos que:

- ◆ El producto se haya utilizado con propósitos comerciales, profesionales o de alquiler.
- ◆ El producto se haya sometido a un uso inadecuado o negligente.
- ◆ El producto haya sufrido daños causados por objetos o sustancias extrañas o accidentes.
- ◆ Se hayan realizado reparaciones por parte de personas que no sean del servicio técnico autorizado o personal de servicios de Black & Decker.

Para reclamar en garantía, será necesario que presente la prueba de compra al vendedor o al agente de servicio técnico autorizado. Puede consultar la dirección de su agente de servicio técnico más cercano si se pone en contacto con la oficina local de Black & Decker en la dirección que se indica en este manual. Como opción alternativa, puede consultar la lista de los agentes de servicio técnico autorizados de Black & Decker y obtener la información completa de nuestros servicios de posventa y los contactos disponibles en la siguiente dirección de Internet: [www.2helpU.com](http://www.2helpU.com)

Visite el sitio web [www.blackanddecker.es](http://www.blackanddecker.es) para registrar su nuevo producto Black & Decker y estar al día sobre productos y ofertas especiales. Encontrará información adicional sobre la marca Black & Decker y nuestra gama de productos en [www.blackanddecker.es](http://www.blackanddecker.es).

## Utilização prevista

O seu cortador Black & Decker foi concebido para aparar as extremidades dos relvados e para cortar relva em espaços exíguos. Este aparelho destina-se apenas a utilização doméstica.

## Instruções de segurança

**Atenção!** Ao utilizar aparelhos eléctricos, deve sempre cumprir medidas de segurança básicas, incluindo as que se seguem, de modo a reduzir os riscos de incêndio, choque eléctrico e ferimentos.

**Atenção!** Ao utilizar a máquina, terá de seguir as regras de segurança. Para sua segurança e das outras pessoas, leia estas instruções antes de utilizar a máquina. Mantenha as instruções em local seguro para futuras consultas.

- ◆ Leia com atenção todo o manual antes de utilizar o aparelho.
- ◆ A utilização prevista para este aparelho está descrita no manual. A utilização de qualquer acessório ou a realização de qualquer operação com este aparelho que não se inclua no presente manual de instruções poderá representar um risco de ferimentos pessoais.
- ◆ Conserve este manual para referência futura.

## Utilização do aparelho

Tenha sempre cuidado quando utilizar este aparelho.

- ◆ Utilize sempre óculos ou viseiras de protecção.
- ◆ Nunca deixe crianças ou pessoas que não estejam familiarizadas com estas instruções utilizar este aparelho.
- ◆ Não deixe crianças ou animais aproximarem-se da área de trabalho ou tocarem no aparelho ou no cabo de alimentação.
- ◆ É necessária uma supervisão atenta quando o aparelho está a ser utilizado próximo de crianças.
- ◆ Este aparelho não deve ser utilizado por jovens ou pessoas doentes sem supervisão.
- ◆ Este aparelho não deve ser utilizado como um brinquedo.
- ◆ Utilize apenas o aparelho à luz do dia ou com uma boa luz artificial.
- ◆ Utilize-o apenas num local seco. Não deixe molhar o aparelho.
- ◆ Não mergulhe o aparelho em água.
- ◆ Não abra a estrutura do aparelho. Não existem peças para manipulação pelo utilizador no interior.
- ◆ Não utilize o equipamento em áreas com risco de explosão, nas quais se encontrem líquidos, gases ou poeiras inflamáveis.
- ◆ Para reduzir o risco de danos nas fichas e cabos, nunca puxe o cabo para remover a ficha de uma tomada.

## Segurança de terceiros

- ◆ Este aparelho não deve ser utilizado por pessoas (incluindo crianças) que apresentem capacidades físicas, sensoriais ou mentais reduzidas ou que não possuam os conhecimentos e a experiência necessários, excepto se forem vigiadas e instruídas acerca da utilização do aparelho por uma pessoa responsável pela sua segurança.
- ◆ Esteja atento às crianças para que não brinquem com o aparelho.
- ◆ Pare de usar a máquina, enquanto as pessoas, especialmente crianças, ou animais de estimação estão próximas.

## Riscos residuais.

Podem surgir riscos residuais adicionais durante a utilização da ferramenta que poderão não constar nos avisos de segurança incluídos. Estes riscos podem resultar de má utilização, uso prolongado, etc.

Mesmo com a aplicação dos regulamentos de segurança relevantes e com a implementação de dispositivos de segurança, alguns riscos residuais não podem ser evitados. Incluem:

- ◆ ferimentos causados pelo contacto com peças em rotação/movimento.
- ◆ ferimentos causados durante a troca de peças, lâminas ou acessórios.
- ◆ ferimentos causados pela utilização prolongada de uma ferramenta. Quando utilizar uma ferramenta por períodos prolongados, faça intervalos regulares.
- ◆ Diminuição da audição.
- ◆ Problemas de saúde causados pela inalação de poeiras resultantes da utilização da ferramenta (exemplo: trabalhos em madeira, especialmente carvalho, faia e MDF).

## Após a utilização

- ◆ Quando não for utilizado, o aparelho deve ser guardado num local seco e com boa ventilação, fora do alcance das crianças.
- ◆ As crianças não devem ter acesso a aparelhos armazenados.
- ◆ Quando o aparelho for guardado ou transportado num veículo, deverá ser colocado na bagageira ou fixo de forma a evitar o movimento devido a alterações súbitas na velocidade ou direcção.

## Inspecção e reparações

- ◆ Desligue o aparelho da rede eléctrica antes de verificar, limpar ou trabalhar na máquina e quando ele está em uso.
- ◆ Antes da utilização, verifique a existência de peças danificadas ou avariadas no aparelho. Verifique se existem peças partidas e quaisquer outras situações que possam afectar o bom funcionamento.
- ◆ Não utilize este aparelho se alguma das suas peças estiver danificada ou avariada.

- ◆ Mande reparar ou substituir quaisquer peças danificadas ou avariadas por um agente de reparação autorizado.
- ◆ Nunca tente retirar ou substituir quaisquer peças que não as especificadas neste manual.

### Utilizar um cabo de extensão

Utilize sempre um cabo de extensão aprovado e adequado para a potência deste aparelho (ver dados técnicos). O cabo de extensão deve ser adequado para utilização ao ar livre e marcado em conformidade. Poderá utilizar um cabo de extensão HO5VV-F de 1.5 mm<sup>2</sup> com uma extensão máxima 30 m, sem redução do desempenho do aparelho. Antes da utilização, verifique se o cabo de extensão apresenta sinais de envelhecimento, danos ou desgaste. Substitua o cabo de extensão se este se encontrar danificado ou avariado. Quando utilizar um enrolador de cabo, desenrole sempre o cabo completo.

### Instruções de segurança adicionais para cortadores de relva

**Atenção!** Os elementos de corte continuarão a rodar após o motor ter sido desligado.

- ◆ Familiarize-se com os controlos e a utilização adequada da máquina.
- ◆ Antes da utilização, verifique se o cabo de alimentação e a extensão eléctrica apresentam sinais de corrosão, danos ou desgaste. Se um cabo se danificar durante a utilização, desligue de imediato o aparelho da fonte de alimentação eléctrica. **NÃO TOQUE NO CABO DE ALIMENTAÇÃO ANTES DE DESLIGAR A FONTE DE ALIMENTAÇÃO ELÉCTRICA.**
- ◆ Não utilize o aparelho se os cabos se encontrarem danificados ou apresentarem desgaste.
- ◆ Use botas ou sapatos reforçados para proteger os pés.
- ◆ Use calças compridas para proteger as pernas.
- ◆ Antes de utilizar o aparelho, verifique se o percurso de corte não tem paus, pedras, cabos e outros obstáculos.
- ◆ Utilize sempre o aparelho na posição vertical, com a linha de corte junto ao chão. Nunca ligue o aparelho noutra posição.
- ◆ Ao utilizar o aparelho, desloque-se lentamente. A relva acabada de cortar está molhada e escorregadia.
- ◆ Não trabalhe em declives. Trabalhe ao longo dos declives, e nunca em sentido ascendente ou descendente.
- ◆ Nunca atravesse caminhos de gravilha ou estradas com o aparelho em funcionamento.
- ◆ Nunca toque na linha de corte com o aparelho em funcionamento.
- ◆ Não pose o aparelho até a linha de corte parar completamente.
- ◆ Utilize sempre o tipo adequado de linha de corte. Nunca utilize linhas de corte metálicas nem linha de pesca.
- ◆ Tenha cuidado para não tocar na lâmina da linha de corte.

- ◆ Certifique-se sempre de que o cabo de alimentação se encontra afastado da linha de corte. Tenha sempre presente a posição do cabo.
- ◆ Mantenha sempre as mãos e os pés afastados da linha de corte, especialmente ao ligar o motor.
- ◆ Antes de utilizar o aparelho e depois de qualquer impacto, procure sinais de desgaste ou peças danificadas e repare-as conforme necessário.
- ◆ Nunca utilize o aparelho com protecções danificadas ou sem protecções.
- ◆ Tenha cuidado para que nenhum dispositivo montado no aparelho corte o filamento da linha. Depois de estender uma nova linha de corte, volte sempre a colocar a máquina na posição normal de funcionamento antes de a ligar.
- ◆ Certifique-se sempre de que as ranhuras de ventilação se encontram livres de detritos.
- ◆ Não utilize o cortador de relvados (cortador de extremidades) se os cabos se encontrarem danificados ou apresentarem sinais de desgaste.
- ◆ Mantenha os cabos de extensão afastados dos elementos de corte.

### Rótulos do aparelho

O aparelho apresenta os seguintes símbolos de aviso:



Antes de utilizar o aparelho, leia o manual.



Utilize óculos ou viseiras de protecção quando utilizar este aparelho.



Utilize protecções auditivas adequadas ao utilizar o aparelho.



Remova sempre a ficha da tomada antes de inspecionar o cabo danificado. Tenha o cuidado de não utilizar o cortador caso o cabo se encontre danificado.



Esteja atento à projecção de objectos. Mantenha as pessoas afastadas da área de corte.



Não exponha o aparelho à chuva ou humidade elevada.



Potência sonora garantida pela Directiva 2000/14/CE.

### Segurança eléctrica



Este aparelho tem um isolamento duplo e, por isso, não é necessário um fio de terra. Verifique sempre se a fonte de alimentação corresponde à tensão indicada na placa de especificações.

- ◆ Se o cabo de alimentação estiver danificado, terá de ser substituído pelo fabricante ou por um centro de assistência autorizado Black & Decker para evitar acidentes.
- ◆ A segurança eléctrica pode ser melhorada mediante a utilização de um Dispositivo de Corrente Residual (RCD) de alta sensibilidade (30 mA).

### Características

Este aparelho inclui algumas ou todas as seguintes características.

1. Interruptor para ligar/desligar
2. Pega
3. Grampo de cabo
4. Entrada de potência
5. Cabo secundário
6. Botão de ajuste
7. Tubo
8. Acondicionamento de cilindro sobresselente
9. Cilindro HDL
10. Protecção
11. Lâmina da linha de corte
12. Compartimento do cilindro
13. Linha de corte
14. Roda da extremidade

### Montagem

**Atenção!** Antes da montagem, certifique-se de que a ferramenta está desligada e que não está ligada à corrente eléctrica.

#### Fixação da protecção (fig. A e B)

- ◆ Remova o parafuso (15) da protecção (10).
- ◆ Coloque a protecção (10) na ferramenta, conforme mostrado.
- ◆ Prima a protecção com firmeza até encaixar na respectiva posição.
- ◆ Fixe a protecção com o parafuso.
- ◆ Aperte o parafuso.

**Atenção!** Nunca utilize a ferramenta sem que a protecção se encontre correctamente montada.

#### Montagem do manípulo secundário (fig. C)

- ◆ Pressione e mantenha premido o botão de ajuste (6) na parte lateral do corpo.
- ◆ Faça deslizar o manípulo secundário (5) para a posição sobre o botão de ajuste (6).

**Atenção!** Certifique-se de que os dentes do botão estão alinhados correctamente nas ranhuras do manípulo e de que o manípulo está bem preso.

#### Ajustar a posição do manípulo secundário

##### (fig. D)

O manípulo secundário (5) pode ser ajustado para fornecer maior equilíbrio e conforto.

- ◆ Prima o botão de ajuste (6) do lado esquerdo do manípulo.
- ◆ Rode o manípulo secundário (5) para a posição pretendida.
- ◆ Liberte o botão de ajuste (6).

**Atenção!** Certifique-se de que os dentes do botão estão alinhados correctamente nas ranhuras do manípulo e de que o manípulo está bem preso.

#### Ajustar a altura da ferramenta (fig. E e F)

Esta ferramenta possui um mecanismo telescópico que permite o ajustamento para uma altura confortável. Existem várias definições de altura.

Para ajustar a definição de altura, proceda da seguinte forma:

- ◆ Solte o grampo de bloqueio de ajuste de altura (16).
- ◆ Puxe suavemente o tubo (7) para cima ou para baixo até à altura pretendida.
- ◆ Feche o grampo de bloqueio de ajuste de altura (16).

#### Soltar a linha de corte

Durante o transporte, a linha de corte encontra-se colada com fita adesiva ao compartimento do cilindro.

- ◆ Remova a fita adesiva que prende a linha de corte ao compartimento do cilindro (12).

#### Armazenar o cilindro quando não estiver em utilização (fig. G)

A ferramenta possui dois sistemas de corte:

- ◆ **AFS:** Alimentação automática de linha única para poda e aparar ligeiro.
- ◆ **HDL:** Sistema de corte de linha dupla para trabalhos pesados, para zonas mais crescidas.

**Nota:** O cilindro HDL pode ser utilizado apenas no modo de poda.

Quando não estiver a ser utilizado, o sistema de corte pode ser armazenado no acondicionamento de cilindro sobresselente (apenas GL8033 e GL9035).



- ◆ Alinhe as patilhas (17) da tampa do cilindro com os recortes (18) do acondicionamento de cilindro sobresselente (8).
- ◆ Empurre a tampa em direcção ao acondicionamento de cilindro sobresselente, até encaixar firmemente na posição respectiva.

### Ligação da ferramenta à corrente eléctrica (fig. H)

- ◆ Ligue a ficha fêmea de um cabo de extensão adequado à entrada de potência (4).
- ◆ Enrole o cabo através do grampo do cabo (3).
- ◆ Introduza o cabo de alimentação numa tomada eléctrica.

Para unidades com cabo: Antes de ligar a ficha à tomada eléctrica, certifique-se de que o cabo está enrolado no grampo de cabo.

**Atenção!** O cabo de extensão deve ser adequado para utilização ao ar livre.

### Utilização

**Atenção!** Deixe a ferramenta funcionar ao seu próprio ritmo. Não a sobrecarregue.

### Configurar a ferramenta para podar ou aparar (fig. I e J)

A ferramenta pode ser utilizada para podar, como mostrado na fig. I, ou para aparar as extremidades dos relvados ou dos canteiros, como mostrado na fig. J.

#### Modo de poda (fig. I)

Para podar, a cabeça do cortador deve estar na posição indicada na fig. I. Se não estiver:

- ◆ Solte o grampo de bloqueio de ajuste de altura (16).
- ◆ Rode o tubo (7) no sentido dos ponteiros do relógio.
- ◆ Quando a cabeça estiver em posição, feche o grampo de bloqueio de ajuste de altura (16).

**Nota:** O tubo só rodará numa direcção.

**Nota:** O cilindro HDL pode ser utilizado no modo de poda.

#### Modo de aparar (fig. J)

Para aparar, a cabeça do cortador deve estar na posição indicada na fig. J. Se não estiver:

- ◆ Solte o grampo de bloqueio de ajuste de altura (16).
- ◆ Rode o tubo (7) no sentido contrário ao dos ponteiros do relógio.
- ◆ Quando a cabeça estiver em posição, feche o grampo de bloqueio de ajuste de altura (16).

**Nota:** O tubo só rodará numa direcção.

### Ligar e desligar

- ◆ Para ligar a ferramenta, pressione o interruptor ligar/desligar (1).
- ◆ Para desligar o aparelho, solte a alavanca do gatilho.

**Atenção!** Nunca tente bloquear a alavanca do gatilho na posição de ligado.

### Sugestões para uma utilização ideal

#### Generais

- ◆ Para obter os melhores resultados de corte, corte apenas relva seca.

#### Podar

- ◆ Segure na ferramenta conforme indicado na fig. K.
- ◆ Faça oscilar suavemente o cortador de um lado para o outro.
- ◆ Ao cortar relva crescida, trabalhe por fases a partir do topo. Efectue pequenos cortes.
- ◆ Mantenha a ferramenta afastada dos objectos duros e plantas delicadas.
- ◆ A linha de corte apresentará um desgaste mais rápido e necessitará de ser substituída se o corte for efectuado ao longo de passeios ou outras superfícies abrasivas ou se cortar ervas mais resistentes.
- ◆ Se a ferramenta perder velocidade, reduza a carga.

#### Aparar

Os melhores resultados de corte são obtidos em extremidades com mais de 50 mm.

- ◆ Não utilize a ferramenta para criar sebes. Para criar sebes, use um corta-sebes.
- ◆ Oriente a ferramenta na roda, conforme indicado na fig. L.
- ◆ Para cortes mais próximos, incline ligeiramente a ferramenta.

### Montagem de um novo cilindro de linha de corte (fig. M e N)

Os cilindros de linha de corte sobresselentes encontram-se disponíveis no seu revendedor Black & Decker (cat. n.º A6482). Também estão disponíveis pacotes com 3 cilindros de linha de corte (cat. n.º A6486).

- ◆ Desligue a ferramenta.
- ◆ Mantenha as patilhas (17) premidas e remova a tampa do cilindro (21) do compartimento (12) (fig. M).
- ◆ Remova o cilindro vazio (22) da tampa do cilindro.
- ◆ Remova a erva e poeiras da tampa do cilindro e do compartimento.
- ◆ Retire a extremidade da linha de corte e coloque a linha no ilhó (23) (fig. M). A linha deverá sair aproximadamente 11 cm da tampa do cilindro.

**Nota:** Tenha cuidado para não permitir que a linha do cilindro se desenrede. Segure-a sempre com firmeza com uma das mãos.

- ◆ Coloque o novo cilindro no cubo da tampa do cilindro. Rode ligeiramente o cilindro até encaixar.

- ◆ Alinhe as patilhas (17) da tampa do cilindro com os recortes (24) do compartimento (12).
- ◆ Empurre a tampa em direcção ao compartimento até encaixar de forma firme na posição respectiva.

**Atenção!** Se as linhas de corte ultrapassarem a lâmina de corte (11), corte-as para que cheguem apenas até à lâmina.

### Montagem de uma nova peça de linha de corte para trabalhos pesados (fig. O e P)

Encontram-se disponíveis pacotes sobresselentes de 10 linhas de corte para trabalhos pesados no seu revendedor Black & Decker (cat. n.º A6489). Para montar uma nova peça de linha de corte, proceda da seguinte forma:

- ◆ Desligue a ferramenta.
- ◆ Mantenha as patilhas (17) premidas e remova a tampa do HDL (9) do compartimento (12).
- ◆ Remova a erva e poeiras da tampa do HDL (9) e do compartimento.
- ◆ Remova a linha usada da tampa do HDL (9).
- ◆ Enrole uma nova linha (20) através dos inhós (27) de ambos os lados da tampa do HDL.
- ◆ Coloque a virola central (28) na posição indicada (Fig. P).
- ◆ Volte a colocar a tampa do HDL.

**Atenção!** Utilize sempre o tipo de linha de corte Black & Decker adequado.

### Substituição da ficha de alimentação (apenas Reino Unido e Irlanda)

Se for necessário encaixar uma nova ficha de alimentação:

- ◆ Elimine com segurança a ficha antiga.
- ◆ Ligue o cabo castanho ao terminal electricificado na nova ficha.
- ◆ Ligue o cabo azul ao terminal neutro.

**Atenção!** Não é necessário efectuar qualquer ligação ao terminal de terra. Siga as instruções de montagem fornecidas com fichas de boa qualidade. Fusível recomendado: 5 A.

### Resolução de problemas

Se achar que a sua ferramenta não está a funcionar correctamente, siga as instruções abaixo. Se não conseguir resolver o problema, contacte o agente local de reparação Black & Decker.

**Atenção!** Antes de continuar, desligue a ferramenta.

#### A ferramenta está lenta

- ◆ Verifique se o compartimento do cilindro pode rodar livremente. Se necessário, limpe-o cuidadosamente.
- ◆ Certifique-se de que não saem mais de 11 cm de linha de corte do compartimento do cilindro. Caso contrário, corte-a para que chegue apenas até à lâmina da linha de corte.

#### A alimentação automática de linha não funciona

- ◆ Mantenha as patilhas premidas e remova a tampa do cilindro do compartimento.
- ◆ Puxe a linha de corte até que saiam 11 cm do compartimento. Se a linha de corte restante no cilindro for insuficiente, instale um novo cilindro de linha de corte conforme explicado acima.
- ◆ Alinhe as patilhas da tampa do cilindro com os recortes do compartimento.
- ◆ Empurre a tampa em direcção ao compartimento até encaixar de forma firme na posição respectiva.
- ◆ Se a linha de corte ultrapassar a lâmina de corte, corte-a para que chegue apenas até à lâmina.

Se a alimentação automática de linha continuar a não funcionar ou o cilindro estiver encravado, experimente as seguintes sugestões:

- ◆ Limpe cuidadosamente a tampa do cilindro e o compartimento.
- ◆ Remova o cilindro e verifique se a alavanca se pode movimentar sem restrições.
- ◆ Remova o cilindro e desenrole a linha de corte. Em seguida volte a enrolá-la de forma ordenada, conforme descrito acima. Substitua o cilindro seguindo as instruções.

### Protecção do ambiente



Recolha separada. Este produto não pode ser eliminado juntamente com os resíduos domésticos normais.

Se, em algum momento, for necessário substituir este produto Black & Decker ou se este deixar de ter utilidade, não elimine o produto num caixote do lixo. Este produto pode ser separado para reciclagem.



A recolha separada de produtos e embalagens usados permite que os materiais sejam reciclados e reutilizados.

A reutilização de materiais reciclados ajuda a evitar a poluição ambiental e reduz a procura de matérias-primas.

A legislação local poderá prever a recolha separada de produtos domésticos eléctricos, seja em lixeiras municipais ou através do revendedor quando adquire um produto novo.

A Black & Decker dispõe de instalações para recolha e reciclagem de produtos Black & Decker quando estes atingem o fim da vida útil. Para usufruir deste serviço, devolva o produto em qualquer agente de reparação autorizado, que os recolherá em seu nome.

Pode verificar a localização do agente de reparação autorizado mais perto de si, contactando os escritórios locais da Black & Decker através do endereço indicado neste manual. Se preferir, está disponível na Internet uma lista de agentes de reparação autorizados Black & Decker, com os contactos e detalhes completos do serviço pós-venda, no endereço: [www.2helpU.com](http://www.2helpU.com)

## Declaração de conformidade CE

DIRECTIVA PARA MÁQUINAS  
DIRECTIVA DE RUIDO AMBIENTE



GL7033/GL8033/GL9035

A Black & Decker declara que os produtos descritos em "dados técnicos" estão em conformidade com as seguintes normas:

2006/42/CE, EN 60335-1, EN 60335-2-91  
2000/14/CE, Cortador de Relvados, L ≤ 50 cm, Anexo VIII  
KEMA Quality B.V., Utrechtseweg 310, 6802 ED Arnhem,  
Países Baixos  
Notified Body ID No.: 0344

Nível de potência acústica, em conformidade com a norma 2000/14/CE

(Artigo 12, Anexo III, L ≤ 50 cm):  
LWA (potência sonora medida) 94 dB(A)  
imprecisão (K) = 2 dB(A)  
LWA (potência sonora garantida) 96 dB(A)  
imprecisão (K) = 2 dB(A)

Estes produtos estão também em conformidade com as Directivas 2004/108/CE e 2011/65/UE.

Para obter mais informações, contacte a Black & Decker no endereço indicado em seguida ou consulte a parte posterior do manual.

O signatário é responsável pela compilação do ficheiro técnico e efectua esta declaração em nome da Black & Decker.

Kevin Hewitt  
Vice-Presidente, Engenharia Global  
Black & Decker Europe, 210 Bath Road, Slough,  
Berkshire, SL1 3YD  
Reino Unido  
04/10/2012

## Dados técnicos

		GL7033 (Tipo 1)	GL8033 (Tipo 1)	GL9035 (Tipo 1)
Tensão	V <sub>AC</sub>	230	230	230
Potência utilizada	W	700	800	900
Velocidade sem carga	min <sup>-1</sup>	7000	7000	7000
Peso	kg	3.2	3.2	3.2

### Nível de pressão acústica:

Pressão acústica (L<sub>PA</sub>) 80 dB(A), imprecisão (K) 2 dB(A)

Potência acústica (L<sub>WA</sub>) 94 dB(A), imprecisão (K) 2 dB(A)

### Valores totais de vibração (soma de vectores triax), em conformidade com a norma EN 786:

Valor de emissão de vibrações (a<sub>v</sub>) 8.2 m/s<sup>2</sup>, imprecisão (K) 1.5 m/s<sup>2</sup>

## Garantia

A Black & Decker confia na qualidade dos seus produtos e oferece uma garantia excelente. Esta declaração de garantia é um complemento dos seus direitos estabelecidos por lei, não os prejudicando de forma alguma. A garantia é válida nos territórios dos Estados Membros da União Europeia e da Associação Europeia de Comércio Livre.

Se um produto Black & Decker avariar devido a defeitos de material, fabrico ou não conformidade, num período de 24 meses após a data da compra, a Black & Decker garante a substituição das peças defeituosas, a reparação de produtos sujeitos a um desgaste aceitável ou a substituição dos mesmos para garantir o mínimo de inconvenientes ao cliente, excepto se:

- ◆ o produto tiver sido utilizado para fins comerciais, profissionais ou de aluguer;
- ◆ o produto tiver sido submetido a utilização indevida ou negligência;
- ◆ o produto tiver sido danificado por objectos ou substâncias estranhas, bem como acidentes;
- ◆ tiverem sido tentadas reparações por pessoas que não sejam agentes de reparação autorizados ou técnicos de manutenção da Black & Decker.

Para accionar a garantia, terá de apresentar comprovativos de compra ao vendedor ou a um agente de reparação autorizado. Pode verificar a localização do agente de reparação autorizado mais perto de si, contactando os escritórios locais da Black & Decker através do endereço indicado neste manual. Se preferir, está disponível na Internet uma lista de agentes de reparação autorizados Black & Decker, com os contactos e detalhes completos do serviço pós-venda, no endereço: [www.2helpU.com](http://www.2helpU.com)

Visite o nosso website [www.blackanddecker.pt](http://www.blackanddecker.pt) para registar o novo produto Black & Decker e manter-se actualizado relativamente a novos produtos e ofertas especiais. Pode encontrar mais informações sobre a marca Black & Decker e sobre a nossa gama de produtos em [www.blackanddecker.pt](http://www.blackanddecker.pt)

## Användningsområde

Din trimmer från Black & Decker är avsedd för trimning av gräsmattans kanter och för klippning av gräs på begränsade områden. Redskapet är endast avsedd för konsumentbruk.

## Säkerhetsföreskrifter

**Varning!** Vid användning av nätdrivna redskap ska grundläggande säkerhetsföreskrifter, inklusive följande föreskrifter, alltid följas. Detta för att förhindra brand, stötar, personskador och materialskador.

**Varning!** Vid användning av maskinen ska säkerhetsföreskrifterna följas. För din egen och närvarande personers säkerhet bör du läsa dessa instruktioner innan du använder maskinen. Spara instruktionerna för senare bruk.

- ◆ Läs hela den här bruksanvisningen noggrant innan du börjar använda redskapet.
- ◆ Användningsområdet beskrivs i den här bruksanvisningen. Använd inte apparaten med andra tillbehör än de som rekommenderas i den här bruksanvisningen och inte heller till andra användningsområden eftersom det kan leda till personskador.
- ◆ Behåll den här bruksanvisningen för framtida referens.

## Använda redskapet

Var alltid försiktig när du använder redskapet.

- ◆ Använd alltid säkerhetsglasögon eller skyddsglasögon.
- ◆ Låt aldrig barn eller personer som inte har läst instruktionerna använda redskapet.
- ◆ Låt inte barn eller djur komma i närheten av arbetsområdet. Låt dem inte heller röra vid redskapet eller elsladden.
- ◆ Om det finns barn i närheten när du använder redskapet ska du övervaka dem noga.
- ◆ Redskapet är inte avsett att användas av unga eller oerfarna personer utan övervakning.
- ◆ Detta redskap ska inte användas som leksak.
- ◆ Använd endast redskapet i dagsljus eller i tillräcklig artificiell belysning.
- ◆ Använd den endast på torra ställen. Skydda redskapet från väta.
- ◆ Doppa aldrig redskapet i vatten.
- ◆ Öppna inte höljet. Det finns inga delar inuti som kan repareras.
- ◆ För att undvika explosionsrisk bör du inte använda redskapet i omgivningar med brandfarliga vätskor, gaser eller damm.
- ◆ Dra aldrig i sladden när du vill ta ut kontakten ur uttaget. Detta för att minska risken för skador på kontakter och sladdar.

## Säkerhet för andra

- ◆ Redskapet ska inte användas av personer (inklusive barn) med nedsatt fysisk eller psykisk förmåga eller bristande erfarenhet och kunskap, om de inte får vägledning och övervakas av en person som ansvarar för deras säkerhet.
- ◆ Barn måste hållas under uppsikt så att de inte leker med redskapet.
- ◆ Sluta använda maskinen medan människor, speciellt barn, eller husdjur finns i närheten.

## Övriga risker.

Ytterligare risker som inte finns med i de bifogade säkerhetsanvisningarna kan uppstå när verktyget används. Dessa risker kan uppstå vid felaktig användning, långvarig användning, o.s.v.

Även om alla relevanta säkerhetsanvisningar följs och säkerhetsanordningar används kan vissa ytterligare risker inte undvikas. Dessa innefattar:

- ◆ Skador orsakade av att roterande/rörliga delar vidrörs.
- ◆ Skador som uppstår vid byte av delar, blad eller tillbehör.
- ◆ Skador som orsakas av långvarig användning av ett verktyg. Se till att ta regelbundna raster när du använder ett verktyg under en längre period.
- ◆ Skador på hörseln.
- ◆ Hälsorisker orsakade av inandning av damm när redskapet används (exempel: arbete med trä, särskilt ek, bok och MDF).

## Efter användning

- ◆ När det inte används bör redskapet förvaras utom räckhåll för barn på en torr plats med god ventilation.
- ◆ Placera redskapet på ett ställe där barn inte kan komma åt det.
- ◆ När redskapet förvaras eller transporteras i en bil ska det placeras i bagageutrymmet eller spännas fast så att det inte rör sig vid plötsliga ändringar av hastighet eller riktning.

## Kontroll och reparationer

- ◆ Koppla bort maskinen från elnätet innan du kontrollerar, rengör eller arbetar på maskinen och när den är i bruk.
- ◆ Kontrollera att redskapet är hel och att den inte innehåller några skadade delar innan du använder den. Kontrollera att inga delar är trasiga och att inget annat föreligger som kan påverka redskapets funktion.
- ◆ Använd inte redskapet om någon del har skadats eller gått sönder.
- ◆ Reparera eller byt ut skadade eller trasiga delar på en auktoriserad verkstad.
- ◆ Försök aldrig ta bort eller byta ut andra delar än de som anges i den här bruksanvisningen.

## Använda förlängningssladd

Använd alltid en godkänd förlängningssladd som klarar redskapets ineffekt (se Tekniska data). Förlängningssladden måste vara lämplig för utomhusbruk och märkt därefter. Det går att använda en 1.5 mm<sup>2</sup> HO5VV-F-förlängningssladd som är upp till 30 m lång utan spänningsförlust. Innan du använder sladden kontrollerar du att den inte är skadad, sliten eller nött. Byt ut förlängningssladden om den är skadad eller defekt. När du använder en sladdvinda ska du alltid dra ut hela sladden.

## Ytterligare säkerhetsanvisningar för grästrimmer

**Varning!** Skärande delar fortsätter att rotera en kort stund efter att du har stängt av motorn.

- ◆ Bekanta dig med reglagen och ta reda på hur redskapet ska användas.
- ◆ Före användning kontrollerar du om elsladden och förlängningssladden visar tecken på skador, åldrande eller slitage. Om en sladd skadas när du använder redskapet kopplar du omedelbart bort sladden från elnätet. RÖR INTE VID SLADDEN FÖRE DU DRAGIT UT DEN UR UTTAGET.
- ◆ Använd inte redskapet om sladdarna är skadade eller utslitna.
- ◆ Bär kraftiga skor eller stövlar för att skydda dina fötter.
- ◆ Bär långbyxor för att skydda dina ben.
- ◆ Innan du använder redskapet ska du se till att det område som ska trimmas är fritt från grenar, stenar, ledningar och andra hinder.
- ◆ Använd endast redskapet i upprätt position med skärlinan nära marken. Slå aldrig på redskapets strömbrytare i något annat läge.
- ◆ Rör dig långsamt när du använder redskapet. Tänk på att nyklippt gräs är fuktigt och halt.
- ◆ Använd inte redskapet på branta sluttningar. Arbeta tvärs över sluttningar, inte upp och ner.
- ◆ Kors inte grusgångar eller vägar medan redskapet är i drift.
- ◆ Vidrör aldrig skärlinan när redskapet används.
- ◆ Sätt inte ner redskapet förrän skärlinan har slutat rotera helt.
- ◆ Använd endast rätt sorts skärlina. Använd aldrig skärlina i metall eller fiskelina.
- ◆ Var noggrann med att aldrig röra vid skärbladet.
- ◆ Var noga med att hålla sladden borta från skärlinan. Håll hela tiden reda på var sladden befinner sig.
- ◆ Håll alltid händer och fötter borta från skärlinan, särskilt då motorn startas.
- ◆ Innan du använder redskapet, och efter alla sorters stötar, bör du undersöka den efter tecken på slitage eller skada och reparera på lämpligt vis.
- ◆ Använd inte redskapet med skadade skydd eller utan skydden på plats.

- ◆ Var försiktig så att du inte skadas av anordningar för justering av fiberlinans längd. Efter att ha dragit ut ny skärlina ska du alltid placera maskinen i normalt driftsläge innan den startas.
- ◆ Kontrollera alltid att ventilationsöppningarna hålls fria från skräp.
- ◆ Använd inte grästrimmern (kanttrimmern) om sladdarna är skadade eller utslitna.
- ◆ Håll förlängningssladdar borta från skärande delar.

## Etiketter på redskapet

Redskapet är märkt med följande varningssymboler:



Läs bruksanvisningen innan du använder redskapet.



Bär alltid skyddsglasögon när du använder redskapet.



Bär lämpliga hörselskydd när du använder redskapet.



Dra alltid ur kontakten ur eluttaget innan du undersöker en skadad sladd. Använd aldrig trimmern om sladden är skadad.



Se upp för flygande föremål. Håll andra personer borta från trimmerns arbetsområde.



Låt inte apparaten komma i kontakt med regn eller hög luftfuktighet.



Garanterad ljudnivå enligt direktiv 2000/14/EG.

## Elektrisk säkerhet



Eftersom redskapet är dubbelisolerad behövs ingen jordledare. Kontrollera alltid att nätspänningen överensstämmer med värdet på typskylten.

- ◆ Om nätsladden är skadad måste den bytas ut av tillverkaren eller en auktoriserad Black & Decker-verkstad för att undvika farliga situationer.
- ◆ Elsäkerheten kan förbättras ytterligare genom att man använder en jordfelsbrytare med hög känslighet (30 mA).

## Funktioner

Den här apparaten har några eller samtliga av följande funktioner.

1. Strömbrytare
2. Handtag
3. Sladdhållare
4. Eluttag
5. Extrahandtag
6. Justeringsknapp
7. Skaft
8. Förvaring för reservspole
9. HDL-spole
10. Skydd
11. Skärblad
12. Spolhölje
13. Skärlina
14. Kanthjul

## Montering

**Varning!** Se till att verktyget är avstängt och urkopplat innan montering.

### Montera skyddet (fig. A och B)

- ◆ Ta bort skruven (15) från skyddet (10).
- ◆ Montera skyddet (10) på verktyget enligt bilden.
- ◆ Tryck på skyddet tills det klickar på plats.
- ◆ Fäst skyddet med skruven.
- ◆ Dra åt skruven.

**Varning!** Använd aldrig verktyget om inte skyddet är ordentligt monterat.

### Sätta fast extrahandtaget (fig. C)

- ◆ Tryck in och håll ned justeringsknappen (6) på sidan av huvudenheten.
- ◆ Skjut extrahandtaget (5) på plats över justeringsknappen (6).

**Varning!** Se till att tändarna på knappen är rätt inpassade i handtagets öppningar samt att handtaget sitter fast ordentligt.

### Justera extrahandtagets läge

#### (fig. D)

Extrahandtaget (5) kan justeras för att ge optimal balans och komfort.

- ◆ Tryck in justeringsknappen (6) på handtagets vänstra sida.
- ◆ Roter extrahandtaget (5) till önskat läge.
- ◆ Släpp justeringsknappen (6).

**Varning!** Se till att tändarna på knappen är rätt inpassade i handtagets öppningar samt att handtaget sitter fast ordentligt.

### Justera höjden på verktyget (fig. E och F)

Verktyget har ett teleskopskafst som gör att du kan justera det till komfortabel arbetshöjd. Det finns flera höjdställningar.

Gör så här för att justera höjdställningen:

- ◆ Lossa låsklämman för höjjusteringen (16).
- ◆ Dra försiktigt skafstet (7) uppåt eller nedåt till önskad höjd.
- ◆ Stäng låsklämman för höjjusteringen (16).

### Lossa skärlinan

Under transport är skärlinan fäst vid spolhöljet.

- ◆ Lossa på tejen över skärlinan på spolhöljet (12).

### Förvara spolen som inte används (fig. G)

Verktyget har två skärssystem:

- ◆ **AFS:** En enda automatisk linmatning för enklare trimning och kantning.
- ◆ **HDL:** Heavy Duty Dual Line-skärssystem för områden med långt gräs.

**Obs!** HDL-spolen är endast avsedd för användning i trimningsläge.

Det skärssystem som inte används kan förvaras i förvaringsfacket för reservspolen (endast GL8033 och GL9035).

- ◆ Placera låsspärrarna (17) på spolkåpan i linje med hålen (18) i förvaringsfacket för extraspole (8).
- ◆ Tryck fast kåpan på förvaringsfacket för reservspolen tills den klickar på plats ordentligt.

### Ansluta redskapet till elnätet (fig. H)

- ◆ Anslut honkontakten på en lämplig förlängningskabel till eluttaget (4).
- ◆ Dra sladden genom sladdhållaren (3).
- ◆ Anslut nätsladden till eluttaget.

För trådbundna kabelsatser: Kontrollera att sladden är dragen genom sladdhållaren innan du ansluter kontakten till eluttaget.

**Varning!** Förlängningssladden måste vara lämpad för utomhusbruk.

### Användning

**Varning!** Låt redskapet arbeta i sin egen takt. Överbelasta inte redskapet.

### Ställa in verktyget för trimning eller kantningsläge (fig. I och J)

Verktyget kan användas i trimningsläge enligt fig. I eller i kantningsläge när du behöver trimma gräs som hänger över gräsmattans kanter och rabatter enligt fig. J.

#### Trimningsläge (fig. I)

För trimning bör trimmerhuvudet vara i läget enligt fig. I. Om det inte är det:

- ◆ Lossa låsklämman för höjjusteringen (16).
- ◆ Vrid skafstet (7) medurs.

- ◆ Stäng låsklämman för höjdjusteringen (16) när huvudet är i rätt läge.

**Obs!** Skaffet roterar bara i en riktning.

**Obs!** HDL-spolen är avsedd för användning i trimningsläge.

### Kantningsläge (fig. J)

För kantning bör trimmerhuvudet vara i läget enligt fig. J. Om det inte är det:

- ◆ Lossa låsklämman för höjdjusteringen (16).
- ◆ Vrid skaffet (7) moturs.
- ◆ Stäng låsklämman för höjdjusteringen (16) när huvudet är i rätt läge.

**Obs!** Skaffet roterar bara i en riktning.

### Slå på och av

- ◆ Starta verktyget genom att trycka in strömbrytaren (1).
- ◆ Stäng av redskapet genom att släppa upp handtaget.

**Varning!** Försök aldrig låsa strömbrytarhandtaget i påslaget läge.

### Råd för optimal användning

#### Allmänt

- ◆ Resultatet blir bäst om gräset är torrt vid klipptillfället.

#### Trimning

- ◆ Håll redskapet som bilden visar (fig. K).
- ◆ Pendla försiktigt med redskapet från sida till sida.
- ◆ När långt gräs ska trimmas, arbeta i etapper uppifrån och ned. Klipp lite åt gången.
- ◆ Undvik att gå nära hårda föremål och känsliga växter.
- ◆ Skärlinan slits fortare och kräver mer utmatning om trimningen sker längs stenläggningar eller andra sträva ytor eller om kraftiga växter trimmas.
- ◆ Om redskapet börjar gå långsamt, minska belastningen.

#### Kantning

Optimalt resultat uppnås på kanter som är högre än 50 mm.

- ◆ Använd inte verktyget för att skapa kanter. Använd en kantspade för att skapa kanter.
- ◆ Styr redskapet med hjulet som bilden visar (fig. L).
- ◆ Om du vill ha kortare gräs lutar du verktyget lite.

### Montera en ny spole med skärlina (fig. M och N)

Spolar med skärlina finns att köpa hos din Black & Decker-återförsäljare (katalognr A6482). Paket med tre spolar skärlina finns också att köpa (katalognr A6486).

- ◆ Dra ur kontakten till verktyget.
- ◆ Håll låsspärrarna (17) nedtryckta och ta bort spolkåpan (21) från höljet (12) (fig. M).
- ◆ Ta bort den tomma spolen (22) från spolkåpan.
- ◆ Avlägsna smuts och gräs från spolkåpan och höljet.

- ◆ Lossa änden för skärlinan och styr linan genom öppningen (23) (fig. M). Linan bör sticka ut ungefär 11 cm från spolkåpan.

**Obs!** Se till att linan på spolen inte trasslar ihop sig. Håll fast den med en hand hela tiden.

- ◆ Ta den nya spolen och tryck fast den på centrumdelen i spolkåpan. Roter spolen lätt tills den sitter fast.
- ◆ Placera låsspärrarna (17) på spolkåpan i linje med hålen (24) i höljet (12).
- ◆ Tryck fast kåpan på höljet tills den klickar på plats ordentligt.

**Varning!** Om skärlinorna sticker ut längre än skärbladet (11) klipper du av den så att den bara når till bladet.

### Montera en ny kraftig skärlina (fig. O och P)

Förpackningar med 10 kraftiga skärlinor finns att köpa hos din Black & Decker-återförsäljare (katalognr A6489). Du monterar en ny skärlina på följande sätt:

- ◆ Dra ur kontakten till verktyget.
- ◆ Håll låsspärrarna (17) nedtryckta och avlägsna HDL-kåpan (9) från höljet (12).
- ◆ Avlägsna all smuts och gräs från hdl-kåpan (9) och höljet.
- ◆ Ta bort den gamla linan från HDL-kåpan (9).
- ◆ Träd den nya linan (20) genom ögonen (27) på båda sidorna av HDL-kåpan.
- ◆ Placera centerbeslaget (28) enligt bilden (Fig. P).
- ◆ Sätt tillbaka HDL-kåpan igen.

**Varning!** Använd endast rätt sorts skärlina från Black & Decker.

### Byte av nätkontakt (endast Storbritannien och Irland)

Byt kontakten på följande sätt:

- ◆ Gör dig av med den gamla kontakten på lämpligt sätt.
- ◆ Anslut den bruna ledningen till den strömförande anslutningen i den nya kontakten.
- ◆ Anslut den blå ledningen till den icke strömförande anslutningen.

**Varning!** Anslut inte till jordanslutningen. Följ monteringsanvisningarna som medföljer kontakter av god kvalitet. Rekommenderad säkring: 5 A.

### Felsökning

Om produkten inte fungerar som den ska följer du instruktionerna nedan. Om det inte löser problemet kontaktar du närmaste Black & Decker-verkstad.

**Varning!** Dra ur kontakten till verktyget innan du fortsätter.

#### Verktyget går långsamt

- ◆ Kontrollera att spolhöljet kan rotera fritt. Rengör det med försiktighet om nödvändigt.



- ◆ Kontrollera att skärlinan inte sticker ut mer än 11 cm från spolhöljet. Om den gör det skär du av den så att den bara når till skärbladet.

#### Om den automatiska linmataren inte fungerar

- ◆ Håll låsspärrarna nedtryckta och avlägsna spolkåpan från höljet.
- ◆ Dra ut skärlinan tills den sticker ut 11 cm från höljet. Om spolen inte innehåller tillräckligt lång lina, installera en ny spole skärlina enligt ovanstående instruktioner.
- ◆ Placera låsspärrarna på spolkåpan i linje med hålen i höljet.
- ◆ Tryck fast kåpan på höljet tills den klickar på plats ordentligt.
- ◆ Om skärlinan sticker ut längre än skärbladet klipper du av den så att den bara når till bladet.

Om den automatiska linmataren fortfarande inte fungerar eller spolen sitter fast, prova följande:

- ◆ Rengör spolkåpan och höljet noggrant.
- ◆ Avlägsna spolen och kontrollera att spaken kan röra sig fritt.
- ◆ Ta loss spolen och linda upp skärlinan. Linda sedan på den ordentligt igen som beskrivet ovan. Ersätt spolen enligt instruktionerna.

## Miljö



Separat insamling. Produkten får inte kastas i hushållssoporna.

Tänk på miljön när du slänger denna Black & Decker-produkt. Släng den inte tillsammans med hushållsavfallet. Lämna produkten för separat insamling.



Insamling av uttjänta produkter och förpackningsmaterial gör att material kan återanvändas. Användning av återvunnet material minskar föreningar av miljön och behovet av råmaterial.

Lokala föreskrifter kan kräva separat insamling av elprodukter från hushållen, vid kommunala samlingsplatser eller hos återförsäljaren när du köper en ny produkt.

Black & Decker samlar in och återvinner uttjänta Black & Decker-produkter. Om du vill utnyttja denna tjänst återlämnar du produkten till en auktoriserad verkstad, som samlar in den för vår räkning.

För information om närmaste auktoriserade verkstad, kontakta det lokala Black & Decker-kontoret på den adress som är angiven i bruksanvisningen. En lista över alla auktoriserade Black & Decker-verkstäder samt servicevillkor finns på Internet: [www.2helpU.com](http://www.2helpU.com)

## Tekniska data

		GL7033 (Typ 1)	GL8033 (Typ 1)	GL9035 (Typ 1)
Spänning	$V_{AC}$	230	230	230
Ineffekt	W	700	800	900
Tomgångshastighet	$\text{min}^{-1}$	7000	7000	7000
Vikt	kg	3.2	3.2	3.2

#### Ljudnivå:

Ljudnivå ( $L_{pA}$ ) 80 dB(A), osäkerhet (K) 2 dB(A)

Ljudeffekt ( $L_{WA}$ ) 94 dB(A), osäkerhet (K) 2 dB(A)

#### Totala vibrationsvärden (vektorsumman av tre axlar) enligt EN 786:

Vibrationsvärde ( $a_{ij}$ ) 8.2  $\text{m/s}^2$ , osäkerhet (K) 1.5  $\text{m/s}^2$

**EG-deklaration om överensstämmelse**MASKINDIREKTIV  
BULLERFÖRESKRIFTER, UTMOMHUS

GL7033/GL8033/GL9035

Black &amp; Decker garanterar att produkterna som beskrivs under

"Tekniska data" uppfyller:

2006/42/EG, EN 60335-1, EN 60335-2-91

2000/14/EG, Grästrimmer, L ≤ 50cm, Annex VIII,

KEMA Quality B.V., Utrechtseweg 310, 6802 ED Arnhem,  
Nederländerna

Anmält organ, ID-nr: 0344

Ljudnivå enligt 2000/14/EG

(Artikel 12, Annex III, L ≤ 50 cm):

LWA (uppmätt ljudnivå) 94 dB(A)

osäkerhet (K) = 2 dB(A)

LWA (garanterad ljudnivå) 96 dB(A)

osäkerhet (K) = 2 dB(A)

De här produkterna överensstämmer även med direktiven  
2004/108/EG och 2011/65/EU.Mer information får du genom att kontakta Black & Decker på  
följande adress eller titta i slutet av bruksanvisningen.Undertecknad är ansvarig för sammanställningen av tekniska  
data och gör denna försäkran för Black & Decker.

Kevin Hewitt

Vice-President Global Engineering

Black & Decker Europe, 210 Bath Road, Slough,  
Berkshire, SL1 3YD

Storbritannien

04/10/2012

**Garanti**Black & Decker garanterar att produkten är fri från material-  
och/eller fabriktionsfel vid leverans till kund. Garantin gäller  
utöver konsumentens rättigheter enligt lag och påverkar inte  
dessa. Garantin gäller inom medlemsstaterna i Europeiska  
Unionen och i det Europeiska Frihandelsområdet.Om en Black & Decker-produkt går sönder på grund av  
material- och/eller fabriktionsfel eller brister i överensstämmelse  
med specifikationen, inom 24 månader från köpet, åtar  
sig Black & Decker att reparera eller byta ut produkten med  
minsta besvär för kunden, förutom om:

- ◆ Produkten har använts i kommersiellt eller yrkesmässigt syfte eller i uthyringssyfte.
- ◆ Produkten har utsatts för felaktig användning eller skötsel.
- ◆ Produkten har skadats av främmande föremål, ämnen eller genom olyckshändelse.
- ◆ Reparation har utförts av någon annan än en auktoriserad Black & Decker-verkstad.

Vid garantianspråk ska produkten och inköpskvittot lämnas  
till återförsäljaren eller till en auktoriserad verkstad. För  
information om närmaste auktoriserade verkstad, kontakta det  
lokala Black & Decker-kontoret på den adress som är angiven  
i bruksanvisningen. En lista över alla auktoriserade Black  
& Decker-verkstäder samt servicevillkor finns på Internet:  
[www.2helpU.com](http://www.2helpU.com)Besök vår webbplats [www.blackanddecker.se](http://www.blackanddecker.se) för att registrera  
din nya Black & Decker-produkt samt för att erhålla informa-  
tion om nya produkter och specialerbjudanden. Vidare infor-  
mation om märket Black & Decker och vårt produktsortiment  
återfinns på [www.blackanddecker.se](http://www.blackanddecker.se)

## Bruksområde

Black & Decker-trimmeren er konstruert for å trimme og pynte plenkanter og slå gress på trange steder. Verktøyet er beregnet bare som konsumentverktøy.

## Sikkerhetsinstruksjoner

**Advarsel!** Ved bruk av nettdrevne apparater må grunnleggende sikkerhetsforholdsregler (inkludert punktene som er beskrevet nedenfor) alltid følges for å redusere risikoen for brann, elektrisk støt, personskade og skade på materiell.

**Advarsel!** Når du bruker maskinen, må du følge sikkerhetsreglene. Les disse instruksjonene før du bruker maskinen, for å ivareta sikkerheten for deg selv og personer i nærheten. Ta vare på instruksjonene for senere bruk.

- ◆ Les hele denne håndboken nøye før du bruker produktet.
- ◆ Beregnet bruk er beskrevet i denne håndboken. Hvis du bruker annet tilbehør, kobler til annet utstyr eller bruker dette apparatet til andre oppgaver enn det som er anbefalt i denne håndboken, kan det føre til fare for personskade.
- ◆ Oppbevar denne håndboken for fremtidig bruk.

## Bruke verktøyet

Vær alltid forsiktig når du bruker verktøyet.

- ◆ Bruk alltid vernebriller.
- ◆ La aldri barn eller personer som ikke kjenner instruksjonene, bruke verktøyet.
- ◆ Pass på at barn og dyr ikke kommer i nærheten av arbeidsområdet, og at de ikke berører verktøyet eller strømledningen.
- ◆ Pass godt på, og vær forsiktig når verktøyet brukes i nærheten av barn.
- ◆ Det er ikke meningen at denne maskinen skal brukes av unge eller svakelige personer uten tilsyn.
- ◆ Dette verktøyet skal ikke brukes som leketøy.
- ◆ Bruk verktøyet bare i dagslys eller godt kunstig lys.
- ◆ Brukes bare i tørre omgivelser. Ikke la maskinen bli våt.
- ◆ Ikke senk verktøyet ned i vann.
- ◆ Ikke åpne huset til verktøyet. Det er ingen deler inni som brukere skal håndtere.
- ◆ Ikke arbeid med produktet i eksplosjonsfarlige omgivelser, som for eksempel der det befinner seg brennbare væsker, gass eller støv.
- ◆ Dra aldri i kabelen når du skal ta støpselet ut av stikkontakten. Dermed reduserer du risikoen for skade på støpsel og kabel.

## Andre personers sikkerhet

- ◆ Det er ikke meningen at dette produktet skal brukes av personer (inkludert barn) med reduserte fysiske, sansemessige eller mentale evner, eller som mangler erfaring og kunnskap, med mindre de har fått oppfølging eller instruksjon når det gjelder bruken av produktet, fra en person som er ansvarlig for deres sikkerhet.
- ◆ Barn må ha tilsyn så man sikrer at de ikke leker med verktøyet.
- ◆ Slutte å bruke maskinen mens folk, spesielt barn, eller kjæledyr i nærheten.

## Andre risikoer

Ved bruk av produktet kan det oppstå ytterligere risikoer som kanskje ikke er inkludert i sikkerhetsadvarslene som følger med. Disse risikoene kan bli forårsaket av feil bruk, langvarig bruk osv.

Selv om de relevante sikkerhetsbestemmelsene blir fulgt, og sikkerhetstiltakene blir gjennomført, kan visse gjenværende risikoer ikke unngås. Disse omfatter:

- ◆ Personskader som forårsakes av berøring av en roterende/bevegelig del.
- ◆ Personskader som forårsakes av at en del, et blad eller tilbehør endres.
- ◆ Personskader som forårsakes av langvarig bruk av et verktøy. Når du bruker et verktøy i lange perioder, må du sørge for å ta regelmessige pauser.
- ◆ Svekket hørsel.
- ◆ Helsefarer som forårsakes av innånding av støv som dannes når du bruker verktøyet (eksempel: arbeid med tre, spesielt eik, bøk og MDF).

## Etter bruk

- ◆ Når produktet ikke er i bruk, skal det oppbevares på et tørt og godt ventilert sted utilgjengelig for barn.
- ◆ Barn skal ikke ha tilgang til produkter som oppbevares.
- ◆ Når produktet oppbevares eller transporteres i et kjøretøy, bør det plasseres i bagasjerommet eller festes, slik at det ikke påvirkes av raske farts- eller retningsendringer.

## Kontroll og reparasjon

- ◆ Afbryd maskinen fra strømforsyningen, før du checker, rengjør eller arbejder på maskinen, og når den er i bruk.
- ◆ Kontroller at verktøyet ikke er skadet eller har defekte deler før du bruker det. Kontroller om noen av delene er skadet, eller om det er andre forhold som kan påvirke bruken.
- ◆ Ikke bruk verktøyet hvis noen del er skadet eller defekt.
- ◆ Overlat reparasjon eller utskifting av skadde eller defekte deler til et autorisert serviceverksted.
- ◆ Forsøk aldri å fjerne eller skifte ut andre deler enn dem som er oppgitt i denne håndboken.

## Bruke skjøteledning

Bruk alltid en godkjent skjøteledning som passer til inngangseffekten for dette verktøyet (se tekniske data). Skjøteledningen må passe for utendørs bruk og skal være merket i samsvar med dette. Opptil 30 m 1.5 mm<sup>2</sup> HO5VV V-F-skjøteledning kan brukes uten tap av ytelse for produktet. Før bruk må du undersøke skjøteledningen for tegn på skade, slitasje og aldring. Bytt skjøteledningen hvis den er skadet eller defekt. Når du bruker kabelsnelle, må du alltid rulle ut kabelen helt.

## Ytterligere sikkerhetsinstruksjoner gresstrimmere

**Advarsel!** Skjærelementene vil fortsette å rotere etter at motoren er slått av.

- ◆ Gjør deg kjent med betjeningen og riktig bruk av produktet.
- ◆ Før bruk må du kontrollere strømledning og skjøteledning for tegn på skade, aldring og slitasje. Hvis en ledning blir skadet under bruk, må du øyeblikkelig koble produktet fra strømmettet. Ikke ta på strømledningen før den er koblet fra stikkkontakten.
- ◆ Ikke bruk apparatet hvis ledninger er skadet eller slitte.
- ◆ Bruk solide sko eller støvler for å beskytte føttene.
- ◆ Bruk lange bukser for å beskytte bena.
- ◆ Før du bruker verktøyet, må du kontrollere at det ikke er pinner, steiner, tråd eller andre gjenstander i skjærebanen.
- ◆ Bruk apparatet bare i opprett stilling med skjærelinjen nær bakken. Ikke slå verktøyet på i noen annen stilling.
- ◆ Beveg deg sakte når du bruker verktøyet. Husk at nylig kuttet gress er fuktig og glatt.
- ◆ Ikke arbeid i bratte skråninger. Arbeid på langs av skråninger, ikke opp og ned.
- ◆ Kryss aldri stier med grus mens verktøyet går.
- ◆ Berør aldri skjæretråden mens verktøyet er i gang.
- ◆ Ikke sett verktøyet ned før skjæretråden har stanset helt.
- ◆ Bruk bare riktig type skjæretråd. Bruk aldri skjæretråd av metall eller fiskesnøre.
- ◆ Pass på st du ikke berører trådtrimmebladet.
- ◆ Pass på å holde strømledningen unna skjæretråden. Vær alltid klar over hvor kabelen er.
- ◆ Hold alltid hender og føtter borte fra skjæretråden, særlig når du slår på motoren.
- ◆ Før du bruker verktøyet, og etter et støt, må du undersøke om det er tegn på slitasje eller skade og få verktøyet reparert etter behov.
- ◆ Bruk aldri verktøyet med skadet vern eller uten vern på plass.
- ◆ Vær varsom så du unngår personskade på grunn av utstyr som er montert for å trimme lengden på filamenttråden. Når ny skjæretråd er matet ut, må du alltid sette verktøyet tilbake i normal bruksstilling før du slår det på.
- ◆ Pass alltid på at ventilasjonsåpningene er fri for rusk.

- ◆ Ikke bruk plentrimmeren (kanttrimmer) hvis ledningene er skadet eller slitte.
- ◆ Hold skjøteledninger unna skjærelementer.

## Merking på verktøyet

Maskinen er merket med følgende advarselssymboler:



Les håndboken før bruk.



Benytt vernebriller når du bruker dette produktet.



Benytt passende hørselvern når du bruker dette produktet.



Trekk alltid støpselet ut av kontakten før du in-spiserer en ødelagt ledning. Bruk aldri trimmeren hvis ledningen er skadet.



Se opp for gjenstander som kastes rundt. Hold personer i nærheten borte fra skjæreområdet.



Ikke utsett maskinen for regn eller høy fuktighet.



Garantert lydeffekt i henhold til direktiv 2000/14/EF.

## Elektrisk sikkerhet



Dette produktet er dobbeltisolert. Jording er derfor ikke nødvendig. Kontroller alltid at strømforsyningen er i overensstemmelse med spenningen på typeskiltet.

- ◆ Hvis strømledningen blir skadet, må den skiftes av produsenten eller et autorisert Black & Decker-service-senter så man unngår fare.
- ◆ Strømsikkerheten kan forbedres ytterligere ved bruk av jordfeilbryter på 30 mA med høy følsomhet (RCD).

## Funksjoner

Dette produktet har noen av eller alle funksjonene nedenfor:

1. Strømbryter
2. Håndtak
3. Kabelfeste
4. Strøminngang
5. Hjelpéhåndtak
6. Justeringsknapp
7. Rør
8. Rom for reservespole
9. HDL-spole
10. Beskyttelsesskjerm
11. Trådtrimmeblad
12. Spolehus
13. Skjæretråd
14. Kanthjul

## Montering

**Advarsel!** Før monteringen må du passe på at verktøyet er slått av, og at støpselet er trukket ut.

### Feste beskyttelsesskjermen (figur A og B)

- ◆ Fjern skruen (15) fra beskyttelsesskjermen (10).
- ◆ Plasser beskyttelsesskjermen (10) på verktøyet som vist.
- ◆ Trykk bestemt på beskyttelsesskjermen til den smetter på plass.
- ◆ Sikre beskyttelsesskjermen med skruen.
- ◆ Stram skruen.

**Advarsel!** Bruk aldri verktøyet uten riktig montert beskyttelsesskjerm.

### Feste ekstrahåndtaket (figur C).

- ◆ Trykk inn justeringsknappen (6) på siden av hoveddelen og hold den inne.
- ◆ Skyv ekstrahåndtaket (5) på plass over justeringsknappen (6).

**Advarsel!** Pass på at tennene på knappen sitter korrekt i sporene på håndtaket, og at håndtaket sitter fast.

### Justere stillingen til ekstrahåndtaket (figur D)

Ekstrahåndtaket (5) kan justeres for å gi best mulig balanse og komfort.

- ◆ Trykk inn justeringsknappen (6) på venstre side av håndtaket.
- ◆ Vri ekstrahåndtaket (5) til riktig posisjon.
- ◆ Slipp justeringsknappen (6).

**Advarsel!** Pass på at tennene på knappen sitter korrekt i sporene på håndtaket, og at håndtaket sitter fast.

### Justere høyden til verktøyet (figur E og F)

Dette verktøyet har en teleskopmekanisme, slik at du kan stille inn en komfortabel høyde. Det er flere høydeinnstillinger.

Slik stiller du inn høyden:

- ◆ Løsne låseklemmen for høydejustering (16).
- ◆ Trekk røret (7) forsiktig opp eller ned til ønsket høyde.
- ◆ Lukk låseklemmen for høydejustering (16).

### Løsne skjæretråden

Under transport er skjæretråden tapet til spolehuset.

- ◆ Fjern tapen som fester skjæretråden til spolehuset (12)..

### Lagre spolen når den ikke er i bruk (figur G)

Verktøyet har to kuttssystemer:

- ◆ **AFS:** Automatisk mating av enkelttråd for lett trimming og kantklipp.
  - ◆ **HDL:** Kraftig trådkuttssystem for mer gjengroddede områder.
- Merknad:** HDL-spolen skal bare brukes i trimmingsmodus.

Når kuttssystemet ikke er i bruk, kan det oppbevares i rommet til reservespolen (gjelder GL8033 og GL9035).

- ◆ Plasser tappene (17) på spoledেকেসেটet i forhold til utsnittene (18) i rommet til reservespolen (8).
- ◆ Skyv deकेসেটet over på rommet til reservespolen til det smetter ordentlig på plass.

### Koble verktøyet til strømmettet (figur H)

- ◆ Koble hunnkontakten på en passende skjøteledning til strøminngangen (4).
- ◆ Legg kablen i en løkke gjennom kabelfestet (3).
- ◆ Sett støpselet i en stikkontakt.

For opprullede kabelenheter: Pass på at kablen er lagt gjennom kabelfestet før du setter støpselet i stikkontakten.

**Advarsel!** Skjøteledningen må være godkjent for utendørs bruk.

## Bruk

**Advarsel!** La verktøyet arbeide med sin egen hastighet. Ikke overbelast det.

### Sette verktøyet i trimmings- eller kant-skjæringsmodus (figur I og J)

Verktøyet kan brukes i trimmingsmodus som vist i figur I, eller i kantskjæringsmodus for å trimme gress som henger over kanten av en plen eller et blomsterbed, som vist i figur J.

#### Trimmingsmodus (figur I)

Ved trimming skal trimmehodet være i stillingen som er vist i figur I. Hvis ikke, gjør du følgende:

- ◆ Løsne låseklemmen for høydejustering (16).
- ◆ Drei røret (7) med klokken.
- ◆ Lukk låseklemmen for høydejustering (16) når hodet er på plass.

**Merknad:** Røret roterer bare i én retning.

**Merknad:** HDL-spolen skal brukes i trimmingsmodus.

**Kantmodus (figur J)**

Ved kantskjæring skal trimmehodet være i stillingen som er vist i figur J. Hvis ikke, gjør du følgende:

- ◆ Løsne låseklemmen for høydejustering (16).
- ◆ Drei røret (7) mot klokken.
- ◆ Lukk låseklemmen for høydejustering (16) når hodet er på plass.

**Merknad:** Røret roterer bare i én retning.

**Slå på og av**

- ◆ Trykk på strømknappen (1) for å slå verktøyet på.
- ◆ Slipp utløseren for å slå verktøyet av.

**Advarsel!** Ikke prøv å låse utløseren i på-stilling.

**Råd for optimal bruk****Generelt**

- ◆ Klipp bare tørt gress for å få best mulig resultat.

**Trimming**

- ◆ Hold verktøyet som vist i figur K.
- ◆ Sving trimmeren rolig fra side til side.
- ◆ Når du klipper langt gress, arbeider du i trinn fra toppen. Kutt litt av gangen.
- ◆ Hold verktøyet unna harde gjenstander og sårbare planter.
- ◆ Skjæretråden slites fortere og trenger påfyll hvis du klipper langs fortau eller andre slipende overflater eller kutter kraftig ugress.
- ◆ Hvis verktøyet begynner å gå langsomt, reduserer du belastningen langsomt.

**Kantskjæring**

Du oppnår best mulig resultat på kanter som er dypere enn 50 mm.

- ◆ Ikke bruk verktøyet til å lage kanter. Bruk en kantspade til å lage kanter.
- ◆ Før verktøyet på hjulene som vist i figur L.
- ◆ Hold verktøyet litt på skrå for å skjære tettere.

**Feste en ny spole med skjæretråd (figur M og N)**

Ekstra spoler med skjæretråd får du hos din Black & Decker-forhandler (katalognummer A6482). Du kan også få pakker å tre spoler med skjæretråd (katalognummer A6486).

- ◆ Koble verktøyet fra strømmen.
- ◆ Hold tappene (17) inne og ta spoledekeselet (21) ut av huset (12) (figur M).
- ◆ Ta den tomme spolen (22) ut av spoledekeselet.
- ◆ Fjern eventuelt smuss og gress fra spoledekeselet og -huset.
- ◆ Løsne enden av skjæretråden og før tråden inn i hullet (23) (figur M). Tråden skal stikke frem ca. 11 cm fra spoledekeselet.

**Merknad:** Pass på at spoletråden ikke løsner. Hold den alltid fast med én hånd.

- ◆ Trykk den nye spolen inn på tappen i spoledekeselet. Drei litt på spolen til den sitter på plass.
- ◆ Plasser tappene (17) på spoledekeselet i forhold til utsnittene (24) i huset (12).
- ◆ Skyv dekeselet på huset til det klikker på plass.

**Advarsel!** Hvis skjæretråden rekker lenger ut enn trimmebladet (11), kutter du den av, slik at den akkurat når frem til bladet.

**Feste en ny kraftig skjæretråd (figur O og P)**

Ekstra pakker med 10 kraftige skjæretråder får du hos din Black & Decker-forhandler (katalognummer A6489). Slik fester du en ny skjæretråd:

- ◆ Koble verktøyet fra strømmen.
- ◆ Hold tappene (17) inne og ta HDL-lokket (9) ut av huset (12).
- ◆ Fjern eventuelt smuss og gress fra HDL-lokket (9) og huset.
- ◆ Fjern den brukte trådbiten fra HDL-lokket (9).
- ◆ Tre et nytt trådstykke (20) gjennom hullene (27) på en av sidene av HDL-lokket.
- ◆ Plasser den midtre klemringen (28) i den angitte posisjonen (Fig. P).
- ◆ Sett på HDL-lokket igjen.

**Advarsel!** Bruk bare riktig type skjæretråd fra Black & Decker.

**Bytte nettstøpsel (gjelder bare Storbritannia og Irland)**

Hvis det må settes på nytt nettstøpsel:

- ◆ Kast det gamle støpselet på en trygg måte.
- ◆ Koble den brune ledningen til den strømførende terminalen i det nye støpselet.
- ◆ Koble den blå ledningen til nullterminalen.

**Advarsel!** Du skal ikke koble til jordterminalen. Følg monteringsinstruksjonene som følger med støpsler av god kvalitet. Anbefalt sikring: 5 A.

**Problemløsning**

Hvis det ikke virker som verktøyet fungerer riktig, følger du instruksjonene nedenfor. Hvis problemet ikke løses, kontakter du ditt lokale Black & Decker-serviceverksted.

**Advarsel!** Koble verktøyet fra strømmen før du fortsetter.

**Verktøyet går tregt**

- ◆ Kontroller at spolehuset kan dreies fritt. Rengjør det omhyggelig etter behov.
- ◆ Kontroller at skjæretråden ikke stikker ut mer enn 11 cm fra spolehuset. Hvis den gjør det, kutter du den av slik at den akkurat når trimmebladet for tråden.

**Automatisk mating av tråd virker ikke**

- ◆ Hold tappene inne, og ta spoledektelet av huset.
- ◆ Trekk i skjæretråden til den stikker ut 11 cm fra spolehuset. Hvis det ikke er nok tråd igjen på spolen, monterer du en ny spole med skjæretråd som forklart ovenfor.
- ◆ Plasser tappene på spoledektelet i forhold til hullene i huset.
- ◆ Skyv dektelet på huset til det klikker på plass.
- ◆ Hvis skjæretråden rekker lenger enn trimmebladet, kutter du den av, så den når bladet akkurat.

Hvis den automatiske matingen av tråd fremdeles ikke virker, eller hvis spolen sitter fast, kan du prøve følgende forslag:

- ◆ Rengjør spoledektelet og -huset godt.
- ◆ Ta ut spolen, og kontroller at hendelen kan bevege seg fritt.
- ◆ Ta ut spolen og rull ut skjæretråden. Snurr den på ordentlig igjen som beskrevet ovenfor. Sett spolen på plass igjen som forklart.

**Miljøvern**

Separat avfallshåndtering. Dette produktet må ikke kastes sammen med vanlig husholdningsavfall.

Hvis du synes Black & Decker-produktet bør skiftes ut, eller du ikke har bruk for det lenger, må du ikke kaste det sammen med husholdningsavfall. Sørg for separat avfallshåndtering for dette produktet.



Hvis brukte produkter og emballasje leveres atskilt, kan materialer resirkuleres og brukes på nytt. Gjenbruk av resirkulerte materialer bidrar til redusert miljøforurensing og reduserer behovet for råmaterialer.

Det kan være lokale bestemmelser for separat avfallshåndtering for elektriske produkter fra husstander på kommunale avfallsplasser eller hos forhandleren, når du kjøper et nytt produkt.

Black & Decker har en ordning for innsamling og resirkulering av Black & Decker-produkter som ikke skal brukes lenger. Du kan benytte denne tjenesten ved å levere produktet til et hvilket som helst autorisert serviceverksted.

Du kan finne ut hvor nærmeste autoriserte serviceverksted er, ved å kontakte din lokale Black & Decker-avdeling på adressen som er oppgitt i denne håndboken. En oversikt over autoriserte Black & Decker-serviceverksteder og alle opplysninger om ettersalgsservice og kontakter er også tilgjengelig på Internett: [www.2helpU.com](http://www.2helpU.com)

**Tekniske data**

		GL7033 (Type 1)	GL8033 (Type 1)	GL9035 (Type 1)
Spenning	$V_{AC}$	230	230	230
Inngangseffekt	W	700	800	900
Hastighet ubelastet	$\text{min}^{-1}$	7000	7000	7000
Vekt	kg	3.2	3.2	3.2

**Lydtrykknivå:**

Lydtrykk ( $L_{pA}$ ) 80 dB(A), usikkerhet (K) 2 dB(A)

Lydeffekt ( $L_{WA}$ ) 94 dB(A), usikkerhet (K) 2 dB(A)

**Totale vibrasjonsverdier (vektorsum fra tre retninger) i henhold til EN 786:**

Vibrasjonsemissionsverdi ( $a_{h1}$ ) 8.2  $\text{m/s}^2$ , usikkerhet (K) 1.5  $\text{m/s}^2$

**EF-samsvarserklæring**  
 MASKINDIREKTIV  
 DIREKTIV FOR UTENDØRSSTØY



GL7033/GL8033/GL9035

Black & Decker erklærer at disse produktene, som er beskrevet under "Tekniske data", er i samsvar med:

2006/42/EF, EN 60335-1, EN 60335-2-91

2000/14/EF, plentrimmer, L ≤ 50 cm, vedlegg VIII

KEMA Quality B.V., Utrechtseweg 310, 6802 ED Arnhem, Nederland

ID-nummer for varslet organ: 0344

Lydeffektnivå i henhold til 2000/14/EF

(artikkel 12, vedlegg III, L ≤ 50 cm):

LWA (målt lydeffekt) 94 dB(A)

usikkerhet (K) = 2 dB(A)

LWA (garantert lydeffekt) 96 dB(A)

usikkerhet (K) = 2 dB(A)

Disse produktene er også i samsvar med direktiv 2004/108/EF og 2011/65/EU.

Hvis du ønsker mer informasjon, kontakt Black & Decker på følgende adresse eller se på baksiden av bruksanvisningen.

Undertegnede er ansvarlig for utarbeidelsen av den tekniske dokumentasjonen og gir denne erklæringen på vegne av Black & Decker.

Kevin Hewitt

Vice-President Global Engineering

Black & Decker Europe, 210 Bath Road, Slough

Berkshire, SL1 3YD

Storbritannia

04/10/2012

## Garanti

Black & Decker er trygg på kvaliteten på sine produkter og tilbyr en enestående garanti. Denne garantierklæringen kommer i tillegg til dine lovbestemte rettigheter og er ikke i konflikt med disse. Garantien er gyldig i EU- og EFTA-medlemsstatene.

Hvis et Black & Decker-produkt går i stykker på grunn av material- og/eller fabrikkasjonsfeil eller har mangler i forhold til spesifikasjonene innen 24 måneder fra kjøpet, påtar Black & Decker seg å skifte ut defekte deler, reparere produkter som har vært utsatt for alminnelig slitasje, eller bytte ut slike produkter med minst mulig vanskelighet for kunden, med mindre:

- ◆ Produktet har vært brukt i yrkes-/næringsvirksomhet eller til utleie.
- ◆ Produktet har vært utsatt for feilaktig bruk eller dårlig vedlikehold.
- ◆ Produktet har blitt skadet av fremmede gjenstander eller stoffer eller ved et uhell.
- ◆ Andre enn autoriserte serviceverksteder eller Black & Deckers serviceteknikere har forsøk å reparere produktet.

For å ta garantien i bruk må du vise kjøpskvittering til forhandleren eller til et autorisert serviceverksted. Du kan finne ut hvor nærmeste autoriserte serviceverksted er, ved å kontakte din lokale Black & Decker-avdeling på adressen som er oppgitt i denne håndboken. En oversikt over autoriserte Black & Decker-serviceverksteder og alle opplysninger om ettersalgsservice og kontakter er også tilgjengelig på Internett: [www.2helpU.com](http://www.2helpU.com)

Besøk vårt webområde [www.blackanddecker.no](http://www.blackanddecker.no) for å registrere ditt nye Black & Decker-produkt og for å holde deg oppdatert om nye produkter og spesialtilbud. Du finner mer informasjon om Black & Decker og produktutvalget vårt på [www.blackanddecker.no](http://www.blackanddecker.no).



## Anvendelsesområde

Din trimmer fra Black & Decker er beregnet til klipning af plænekanter og græsslåning på trange steder. Dette apparat er kun beregnet til privat brug.

## Sikkerhedsanvisninger

**Advarsel!** Ved brug af apparater, der strømforsynes fra forsyningsnettet, er det vigtigt, at grundlæggende sikkerhedsforholdsregler, herunder bl.a. nedenstående, altid følges for at mindske risikoen for brand, elektrisk stød, personskade og materiel skade.

**Advarsel!** Sikkerhedsreglerne skal følges ved brug af maskinen. Læs denne vejledning, før du bruger maskinen, af hensyn til din egen og omkringståendes sikkerhed. Gem vejledningen til senere brug.

- ◆ Læs hele vejledningen omhyggeligt, før du bruger apparatet.
- ◆ Den tilsigtede brug er beskrevet i denne vejledning. Bru- gen af ekstraudstyr eller tilbehør eller udførelse af andet arbejde med dette apparat end det, der anbefales i denne vejledning, kan udgøre en risiko for personskade.
- ◆ Opbevar denne vejledning til senere brug.

## Brug af apparatet

Vær altid opmærksom ved brugen af apparatet.

- ◆ Bær altid sikkerhedsbriller eller beskyttelsesbriller.
- ◆ Lad ikke børn eller personer, der ikke har læst denne vejledning, benytte apparatet.
- ◆ Lad ikke børn eller dyr komme i nærheden af arbejdsom- rådet eller røre ved apparatet eller strømforsyningslednin- gen.
- ◆ Vær meget opmærksom, når apparatet benyttes i nærh- eden af børn.
- ◆ Dette apparat må ikke bruges af børn eller svagelige personer uden opsyn.
- ◆ Apparatet må ikke bruges som legetøj.
- ◆ Brug kun apparatet i dagslys eller ved god kunstig belys- ning.
- ◆ Apparatet må kun bruges på tørre steder. Lad ikke ap- paratet blive vådt.
- ◆ Apparatet må ikke nedsænkes i vand.
- ◆ Kabinettet må ikke åbnes. Der er ingen dele inde i kabi- nettet, som kan serviceres af brugeren.
- ◆ Brug ikke apparatet i eksplosive omgivelser, f.eks. hvor der er brændbare væsker, gasser eller støv.
- ◆ For at reducere risikoen for beskadigelse af stik eller led- ninger må du aldrig trække i ledningen for at tage stikket ud af en stikkontakt.

## Andres sikkerhed

- ◆ Dette apparat må ikke bruges af personer (herunder børn) med nedsatte fysiske, sensoriske eller mentale evner eller manglende erfaring og viden, med mindre det sker under overvågning, eller der gives instruktion i brugen af ap- paratet af en person, der er ansvarlig for deres sikkerhed.
- ◆ Børn skal holdes under opsyn, så det sikres, at de ikke leger med apparatet.
- ◆ Stop med at bruge maskinen, mens folk, især børn, eller kæledyr er i nærheden.

## Restrisici.

Der kan opstå yderligere restrisici under brugen af værktøjet, som ikke kan medtages i vedlagte sikkerhedsadvarsler. Disse risici kan opstå pga. forkert anvendelse, langvarig brug etc. Selv ved overholdelse af relevante sikkerhedsforskrifter og anvendelse af sikkerhedsudstyr kan visse restrisici ikke undgås. Disse omfatter:

- ◆ Tilskadekomst forårsaget af berøring af roterende/bev- ægelige dele.
- ◆ Tilskadekomst forårsaget af udskiftning af dele, blade eller tilbehør.
- ◆ Tilskadekomst forårsaget af langvarig brug af et værktøj. Husk at holde pause jævnligt ved brug af et værktøj i længere tid.
- ◆ Høreskader.
- ◆ Sundhedsrisici forårsaget af indånding af støv, der gener- eres ved brug af værktøjet (eksempel: Arbejde med træ, især eg, bøg og MDF).

## Efter brug

- ◆ Opbevar apparatet på et tørt, godt ventileret sted uden for børns rækkevidde, når det ikke er i brug.
- ◆ Opbevar apparater utilgængeligt for børn.
- ◆ Når apparatet opbevares eller transporteres i et køretøj, skal det anbringes i bagagerummet eller fastgøres for at forhindre bevægelse som følge af pludselige ændringer i hastighed eller retning.

## Eftersyn og reparationer

- ◆ Afbryd maskinen fra strømforsyningen, før du checker, rengør eller arbejder på maskinen, og når den er i brug.
- ◆ Før brug skal apparatet kontrolleres for beskadigede eller defekte dele. Se efter knækkede dele og eventuelle andre forhold, der kan påvirke apparatets funktion.
- ◆ Brug ikke apparatet med beskadigede eller defekte dele.
- ◆ Få beskadigede eller defekte dele repareret eller udskiftet på et autoriseret værksted.
- ◆ Forsøg aldrig at fjerne eller udskifte dele ud over dem, der er beskrevet i denne vejledning.

## Brug af en forlængerledning

Brug altid en godkendt forlængerledning, der er egnet til dette apparats strømstik (se de tekniske data). Forlængerledningen skal være egnet til udendørs brug og mærket i overensstemmelse hermed. Der kan bruges en HO5VV V-F-forlængerledning på op til 30 m med et tværsnit på 1.5 mm<sup>2</sup>, uden at produktets ydeevne forringes. Før brug skal forlængerledningen inspiceres for tegn på beskadigelse, slid og ældning. Udskift forlængerledningen, hvis den er beskadiget eller defekt. Rul ledningen helt ud, hvis der anvendes en kabeltromle.

## Yderligere sikkerhedsvejledning for græstrimmere

**Advarsel!** Skærelementer fortsætter med at rotere, efter at motoren er stoppet.

- ◆ Sæt dig ind i betjeningsknapperne og korrekt brug af apparatet.
- ◆ Kontroller strømforsyningsledningen og forlængerledningen for tegn på beskadigelse, ældning og slid før brug. Hvis strømforsyningsledningen bliver beskadiget under brug, skal du omgående tage den ud af stikkontakten. RØR IKKE VED LEDNINGEN, FØR DU HAR TAGET DEN UD AF STIKKONTAKTEN.
- ◆ Brug ikke apparatet med beskadigede eller slidte ledninger.
- ◆ Bær solide sko eller støvler for at beskytte dine fødder.
- ◆ Bær lange bukser for at beskytte dine ben.
- ◆ Kontroller, at området er ryddet for grene, sten, ståltråd og andre forhindringer, før du bruger apparatet.
- ◆ Brug kun apparatet i lodret stilling med skæretråden i nærheden af jorden. Tænd ikke for apparatet i nogen anden position.
- ◆ Bevæg dig langsomt, når du bruger apparatet. Husk, at nyslået græs er fugtigt og glat.
- ◆ Undgå at arbejde på stejle skråninger. Arbejd på tværs af skråningen, ikke op og ned.
- ◆ Passer ikke grusstier eller veje, mens apparatet kører.
- ◆ Rør aldrig skæretråden, mens apparatet kører.
- ◆ Læg ikke apparatet ned, før skæretråden står helt stille.
- ◆ Brug altid den rigtige type skæretråd. Brug aldrig metaltråd eller fiskesnøre.
- ◆ Pas på ikke at røre trådkniven.
- ◆ Pas på, at ledningen ikke kommer i nærheden af skæretråden. Vær altid opmærksom på ledningens position.
- ◆ Hold altid hænder og fødder væk fra skæretråden, især når motoren startes.
- ◆ Kontroller apparatet før brug eller efter et evt. slag for tegn på slid eller beskadigelse, og reparer efter behov.
- ◆ Brug aldrig apparatet med beskadigede skærme eller uden skærme.

- ◆ Pas på ikke at komme til skade med enheden, der er monteret til afskæring af trådlængden. Når du har trukket ny skæretråd ud, skal du altid sætte maskinen tilbage i normal arbejdsstilling, før den startes.
- ◆ Hold altid ventilationsåbningerne fri for snavs.
- ◆ Brug ikke plæneklipperen (kanttrimmeren) med beskadigede eller slidte ledninger.
- ◆ Hold forlængerledninger væk fra skærelementer.

## Mærkater på apparatet

Følgende advarselssymboler findes på apparatet:



Læs vejledningen inden brug.



Bær beskyttelses- eller sikkerhedsbriller, når du bruger dette apparat.



Bær egnet hørevern, når du bruger dette apparat.



Tag altid stikket ud af kontakten, før du undersøger et beskadiget kabel. Brug ikke trimmeren, hvis kablet er beskadiget.



Pas på flyvende genstande. Hold omkringstående på afstand af klippeområdet.



Udsæt ikke apparatet for regn eller høj luftfugtighed.



Direktiv 2000/14/EF garanteret lydeffekt.

## Elektricitet og sikkerhed



Dette værktøj er dobbelt isoleret. Derfor er en jordledning ikke nødvendig. Kontroller altid, at strømforsyningen svarer til spændingen på typeskiltet.

- ◆ Hvis netledningen beskadiges, skal den udskiftes af producenten eller et autoriseret Black & Decker-værksted, så farlige situationer undgås.
- ◆ Den elektriske sikkerhed kan forbedres yderligere ved brug af en højfølsom 30 mA fejlstrømsafbryder (RCD).

## Funktioner

Dette apparat leveres med nogle af eller alle de følgende komponenter.

1. Tænd/sluk-kontakt
2. Håndtag
3. Ledningsholder
4. Strømindgang
5. Sekundært håndtag
6. Justeringsknap
7. Rør
8. Opbevaring af reservespole
9. HDL-spole
10. Skærm
11. Trådkniv
12. Spolehus
13. Skæretråd
14. Kanthjul

## Samling

**Advarsel!** Kontroller før montering, at værktøjet er slukket, og at stikket er taget ud af stikkontakten.

### Montering af skærm (fig. A og B)

- ◆ Fjern skruen (15) fra skærmen (10).
- ◆ Placer skærmen (10) på værktøjet som vist.
- ◆ Tryk fast på skærmen, til den klikker på plads.
- ◆ Fastgør skærmen med skruen.
- ◆ Tilspænd skruen.

**Advarsel!** Brug aldrig værktøjet uden korrekt monteret skærm.

### Montering af det sekundære håndtag (fig. C)

- ◆ Tryk på justeringsknappen (6) på siden af hovedkabinettet, og hold den nede.
- ◆ Skub det sekundære håndtag (5) på plads over justeringsknappen (6).

**Advarsel!** Sørg for, at tænderne på knappen sidder rigtigt i åbningerne i håndtaget, og at håndtaget er sikret.

### Justering af det sekundære håndtags stilling

#### (fig. D)

Det sekundære håndtag (5) kan justeres, så der opnås optimal balance og komfort.

- ◆ Tryk på justeringsknappen (6) på venstre side af håndtaget.
- ◆ Drej det andet håndtag (5) til den ønskede stilling.
- ◆ Slip justeringsknappen (6).

**Advarsel!** Sørg for, at tænderne på knappen sidder rigtigt i åbningerne i håndtaget, og at håndtaget er sikret.

### Justering af værktøjets højde (fig. E og F)

Dette værktøj har en teleskopmekanisme, så du kan indstille den til en behagelig arbejds højde. Der er flere højdeindstillinger.

Højden indstilles som følger:

- ◆ Frigør låsebøjlen til højdejustering (16).
- ◆ Skub forsigtigt røret (7) op eller ned til den ønskede højde.
- ◆ Luk låsebøjlen til højdejustering (16).

### Frigørelse af skæretråd

Under forsendelse er skæretråden tapet fast på spolehuset.

- ◆ Fjern tapen, der holder skæretråden fast på spolehuset (12).

### Opbevaring af spolen, der ikke bruges (fig. G)

Værktøjet har to klippesystemer.

- ◆ **AFS:** Automatisk fremføring med enkelt tråd til let trimning og kantklipping.
- ◆ **HDL:** Kraftigt klippesystem med dobbelt tråd til mere overgroede områder.

**Bemærk!** HDL-spolen må kun anvendes i trimningsindstilling.

Klippesystemet, der ikke bruges, kan opbevares i reservespoleopbevaringen (kun GL8033 og GL9035).

- ◆ Ret tappene (17) på spoledækslet ind efter udskæringerne (18) i reservespoleopbevaringen (8).
- ◆ Tryk på dækslet på reservespoleopbevaringen, til det låses på plads.

### Tilslutning af værktøjet til ledningsnettet (fig. H)

- ◆ Sæt hunstikket på en egnet forlængerledning i strømindsledningen (4).
- ◆ Før ledningen gennem ledningsholderen (3).
- ◆ Sæt stikket i stikkontakten.

For ledningsforbundne enheder: Kontroller, at ledningen er ført gennem ledningsholderen, inden stikket sættes i stikkontakten.

**Advarsel!** Forlængerkablet skal være egnet til udendørs brug.

### Anvendelse

**Advarsel!** Lad værktøjet arbejde i dets eget tempo. Det må ikke overbelastes.

### Indstilling af værktøjet til trimning eller kantklipping (fig. I og J)

Værktøjet kan indstilles til trimning som vist i fig. I eller kantklipping til fjernelse af uafhængende græs langs plænekanter og blomsterbede som vist i fig. J.

### Indstilling til trimning (fig. I)

Til trimning skal skærehovedet stilles som vist i fig. I. Hvis det ikke står i den stilling:

- ◆ Frigør låsebøjlen til højdejustering (16).
- ◆ Drej røret (7) med uret.
- ◆ Luk låsebøjlen til højdejustering (16), når hovedet er på plads.

**Bemærk!** Røret roterer kun i én retning.

**Bemærk!** HDL-spolen kan anvendes i trimningsindstilling.

### Indstilling til kantklipping (fig. J)

Til kantklipping skal skærehovedet stilles som vist i fig. J. Hvis det ikke står i den stilling:

- ◆ Frigør låsebøjlen til højdejustering (16).
- ◆ Drej røret (7) mod uret.
- ◆ Luk låsebøjlen til højdejustering (16), når hovedet er på plads.

**Bemærk!** Røret roterer kun i én retning.

### Tænd og sluk

- ◆ Tænd for værktøjet ved at trykke på tænd/sluk-kontakten (1).
- ◆ Stop værktøjet ved at slippe udløserarmen.

**Advarsel!** Forsøg aldrig at fastlåse udløserarmen i tændt position.

### Gode råd til optimal brug

#### Generelt

- ◆ Det bedste resultat opnås, hvis græsset er tørt.

#### Trimning

- ◆ Hold værktøjet som vist i fig. K.
- ◆ Sving forsigtigt trimmeren fra side til side.
- ◆ Arbejd trinvis fra toppen ved slåning af lang græs. Klip små områder ad gangen.
- ◆ Hold værktøjet væk fra hårde genstande og sarte planter.
- ◆ Skæretråden slides hurtigere og skal hyppigere føres frem, hvis der trimmes langs fortove eller andre slidende overflader, eller hvor der trimmes kraftigt ukrudt.
- ◆ Reducer belastningen, hvis værktøjet begynder at køre langsomt.

#### Kantklipping

Det bedste resultat opnås på kanter, der er dybere end 50 mm.

- ◆ Brug ikke dette værktøj til at lave kanter. Brug en kant-spade til at lave kanter.
- ◆ Før værktøjet frem på dets hjul som vist i fig. L.
- ◆ Vip værktøjet let for at skære tættere.

### Montering af en ny spole med skæretråd (fig. M og N)

Nye spoler med skæretråd fås hos Black & Decker-forhandleren (katalognr. A6482). Der kan også fås pakker med tre spoler med skæretråd (katalognr. A6486).

- ◆ Træk stikket ud af stikkontakten.
- ◆ Hold tappene (17) nede, og fjern spoledækslet (21) fra huset (12) (fig. M).
- ◆ Fjern den tomme spole (22) fra spolehuset.
- ◆ Fjern snavs og græs fra spoledækslet og huset.
- ◆ Frigør enden af skæretråden, og før tråden gennem øjet (23) (fig. M). Tråden skal hænge ca. 11 cm ud fra spoledækslet.

**Bemærk!** Vær omhyggelig med at sikre, at tråden på spolen ikke trævler op. Hold den konstant fast med en hånd.

- ◆ Tag den nye spole, og skub den op på navet i huset. Drej spolen let, indtil den er på plads.
- ◆ Ret tappene (17) på spoledækslet ind efter udskæringerne (24) i huset (12).
- ◆ Tryk dækslet på huset, til det låses på plads.

**Advarsel!** Hvis skæretrådene hænger længere ud end tråd-kniven (11), klippes den af, så den lige netop når kniven.

### Montering af et nyt stykke kraftig skæretråd (fig. O og P)

Nye pakker med 10 kraftige skæretråde fås hos Black & Decker-forhandleren (katalognr. A6489). Udfør følgende for at montere et nyt stykke skæretråd:

- ◆ Træk stikket ud af stikkontakten.
- ◆ Hold tappene (17) nede, og fjern HDL-dækslet (9) fra huset (12).
- ◆ Fjern snavs og græs fra HDL-dækslet (9) og huset.
- ◆ Fjern det brugte stykke tråd fra HDL-hætten (9).
- ◆ Før et nyt stykke tråd (20) gennem øjerne (27) på hver side af HDL-hætten.
- ◆ Anbring den midterste klemring (28) i den angivne position (fig. P).
- ◆ Monter HDL-hætten igen.

**Advarsel!** Brug altid den rigtige type skæretråd fra Black & Decker.

### Udsiftning af stik (kun Storbritannien og Irland)

Sådan monteres et nyt stik:

- ◆ Det gamle stik skal bortskaffes på en sikker måde.
- ◆ Slut den brune ledning til den strømførende klemme på det nye stik.
- ◆ Slut den blå ledning til den neutrale klemme.

**Advarsel!** Der skal ikke foretages nogen tilslutning til jordklemmen. Følg de monteringsanvisninger, der leveres sammen med kvalitetsstik. Anbefalet sikring: 5 A.

### Fejlfinding

Følg vejledningen nedenfor, hvis værktøjet ikke synes at fungere korrekt. Hvis dette ikke løser problemet, bedes du kontakte det lokale Black & Decker-værksted.

**Advarsel!** Træk stikket ud af stikkontakten, før du fortsætter.

**Værktøjet kører langsomt**

- ◆ Kontroller, at spolehuset kan rotere frit. Rengør det forsigtigt om nødvendigt.
- ◆ Kontroller, at skæretråden ikke hænger mere end 11 cm ud af spolehuset. Hvis den gør, skal den klippes af så den ligger netop når trådkniven.

**Hvis metoden med at slå enheden mod jorden ikke virker**

- ◆ Hold tappene nede, og fjern spoleafdækningen fra huset.
- ◆ Træk i skæretråden, til den hænger 11 cm ud af huset. Sæt en ny spole med skæretråd i, hvis der ikke er tilstrækkelig skæretråd tilbage på spolen.
- ◆ Ret tappene på spoleafdækningen ind efter udskæringerne i huset.
- ◆ Tryk dækslet på huset, til det låses på plads.
- ◆ Hvis skæretråden hænger længere ud end trådkniven, klippes den af, så den lige netop når kniven.

Prøv nedenstående forslag, hvis metoden med at slå enheden mod jorden stadig ikke virker, eller tråden er filtret:

- ◆ Rengør forsigtigt spoleafdækningen og huset.
- ◆ Tag spolen ud, og kontroller, at fjederen sidder korrekt.
- ◆ Tag spolen ud, vind skæretråden af, og vind den derefter ensartet på igen som beskrevet herover. Udskrift spolen som beskrevet i vejledningen.

**Miljøbeskyttelse**

Separat bortskaffelse. Dette produkt må ikke bortskaffes sammen med almindeligt husholdningsaffald.

Når dit Black & Decker-produkt en dag er udtjent, eller du ikke længere har brug for det, må du ikke smide det ud sammen med det almindelige affald. Produktet skal bortskaffes separat.



Ved separat bortskaffelse af brugte produkter og emballage bliver der mulighed for at genanvende forskellige materialer. Genanvendelse af materialer medvirker til at forebygge miljøforurening og mindsker behovet for råstoffer.

Lokal lovgivning kan kræve separat indsamling af elektriske husholdningsapparater på kommunale affaldsdepoter eller af den detailhandlende ved køb af et nyt produkt.

Black & Decker sørger for at indsamle og genanvende Black & Decker-produkter, når disse ikke længere kan bruges. Hvis du vil benytte dig af denne service, skal du returnere produktet til et autoriseret værksted, der indsamler produkterne for os.

Kontakt det lokale Black & Decker-kontor på den adresse, der er angivet i denne vejledning, for at få oplysninger om nærmeste autoriserede værksted. En liste over alle autoriserede Black & Decker-serviceværksteder samt servicevilkår og kontaktpersoner er tilgængelig på internettet på adressen: [www.2helpU.com](http://www.2helpU.com)

**Tekniske data**

		GL7033 (Type 1)	GL8033 (Type 1)	GL9035 (Type 1)
Spænding	$V_{AC}$	230	230	230
Indgangseffekt	W	700	800	900
Hastighed uden belastning	$\text{min}^{-1}$	7000	7000	7000
Vægt	kg	3.2	3.2	3.2

**Lydtrykniveau:**

Lydtryk ( $L_{pA}$ ) 80 dB(A), usikkerhed (K) 2 dB(A)

Lydeffekt ( $L_{WA}$ ) 94 dB(A), usikkerhed (K) 2 dB(A)

**Samlede værdier for vibration (triaksial vektorsum) i henhold til EN 786:**

Værdi for udsendelse af vibration ( $a_{Hv}$ ) 8.2  $\text{m/s}^2$ , usikkerhed (K) 1.5  $\text{m/s}^2$

**EU-overensstemmelseserklæring**MASKINDIREKTIV  
DIREKTIV VEDRØRENDE UDENDØRS STØJ

GL7033/GL8033/GL9035

Black & Decker erklærer, at produkterne beskrevet under "Tekniske data" er i overensstemmelse med:  
2006/42/EF, EN 60335-1, EN 60335-2-91  
2000/14/EF, plænetrimmer, L ≤ 50 cm, Annex VIII  
KEMA Quality B.V., Utrechtseweg 310, 6802 ED Arnhem,  
Holland  
Notified Body ID No.: 0344

Lydeffektniveau i henhold til 2000/14/EF  
(artikel 12, bilag III, L ≤ 50 cm):  
LWA (målt lydeffekt) 94 dB(A)  
usikkerhed (K) = 2 dB(A)  
LWA (garanteret lydeffekt) 96 dB (A)  
usikkerhed (K) = 2 dB(A)

Disse produkter er endvidere i overensstemmelse med direktiv 2004/108/EF og 2011/65/EU.

Kontakt Black & Decker på nedenstående adresse, eller se vejledningens bagside for at få flere oplysninger.

Undertegnede er ansvarlig for udarbejdelsen af de tekniske data og fremsætter denne erklæring på vegne af Black & Decker.

Kevin Hewitt  
Vice-President Global Engineering  
Black & Decker Europe, 210 Bath Road, Slough,  
Berkshire, SL1 3YD  
Storbritannien  
04/10/2012

**Garanti**

Black & Decker garanterer, at produktet er fri for skader og fejl og tilbyder en fremragende garanti. Garantien er et tillæg til forbrugers lovsikrede rettigheder og påvirker ikke disse. Garantien gælder inden for medlemsstaterne af den Europæiske Union og i det Europæiske Frihandelsområde.

Hvis et Black & Decker-produkt går i stykker på grund af materiel skade og/eller fabriktionsfejl eller på anden måde ikke fungerer i overensstemmelse med specifikationen inden for 24 måneder fra købsdatoen, påtager Black & Decker sig at reparere eller ombytte produktet med mindst mulig ulempe for kunden. Garantien gælder ikke for fejl og mangler, der er sket i forbindelse med:

- ◆ Produktet har været anvendt erhvervs-mæssigt eller til udlejning.
- ◆ Produktet har været anvendt forkert eller er ikke vedligeholdt.
- ◆ Produktet er beskadiget af fremmedlegemer, substanser eller pga. uheld.
- ◆ Garantien gælder ikke, hvis reparationer er udført af andre end et autoriseret Black & Decker-værksted.

For at udnytte garantien skal produktet og købskvitteringen indleveres til forhandleren eller til et autoriseret værksted. Kontakt det lokale Black & Decker-kontor på den adresse, der er opgivet i denne vejledning, for at få oplysninger om nærmeste autoriserede værksted. En liste over alle autoriserede Black & Decker-serviceværksteder samt servicevilkår og kontaktpersoner er tilgængelig på internettet på adressen: [www.2helpU.com](http://www.2helpU.com)

Gå venligst ind på vores website [www.blackanddecker.dk](http://www.blackanddecker.dk) for at registrere dit nye produkt og for at blive holdt ajour om nye produkter og specialtilbud. Der findes yderligere oplysninger om mærket Black & Decker og vores produktsortiment på adressen [www.blackanddecker.dk](http://www.blackanddecker.dk)

## Käyttötarkoitus

Black & Decker -trimmeri on suunniteltu nurmikon reunojen viimeistelyyn ja nurmikon leikkaukseen ahtaissa paikoissa. Laitte on tarkoitettu vain yksityiskäyttöön.

## Turvallisuusohjeet

**Varoitus!** Sähkölaitteita käytettäessä on aina noudatettava asianmukaisia turvaohjeita, jotta tulipalojen, sähköiskujen, henkilövahinkojen ja materiaalivaurioiden riski olisi mahdollisimman pieni.

**Varoitus!** Laitetta käytettäessä on noudatettava turvallisuusääntöjä. Lue tämä opas huolellisesti läpi ennen koneen käyttöä oman ja muiden turvallisuuden takia. Säilytä ohjeet myöhempiä tarvetta varten.

- ◆ Lue nämä ohjeet huolellisesti ennen laitteen käyttöä.
- ◆ Käyttötarkoitus kuvataan tässä käyttöohjeessa. Muiden kuin tässä käyttöohjeessa suositeltujen lisävarusteiden tai -osien käyttö sekä laitteen käyttö muuhun kuin käyttöohjeessa suositeltuun tarkoitukseen voi aiheuttaa henkilövahingon vaaran.
- ◆ Säilytä tämä käyttöohje tulevaa tarvetta varten.

## Laitteen käyttö

Ole aina huolellinen käyttäessäsi laitetta.

- ◆ Käytä aina suojalaseja.
- ◆ Älä koskaan anna lasten tai kenenkään, joka ei ole lue- nut käyttöohjetta, käyttää laitetta.
- ◆ Älä anna lasten tai eläinten tulla lähelle työskentelyaluetta tai koskea laitteeseen tai sähköjohtoon.
- ◆ Jos laitetta käytetään lasten läheisyydessä, on oltava tarkkaavainen.
- ◆ Tätä laitetta ei ole tarkoitettu nuorten tai lihasvoimaltaan heikkojen henkilöiden käyttöön ilman valvontaa.
- ◆ Laitetta ei tule käyttää leluna.
- ◆ Käytä laitetta vain päivänvalossa tai hyvin valaistulla alueella.
- ◆ Soveltuu vain kuivaan käyttöympäristöön. Älä anna laitteen kastua.
- ◆ Älä upota laitetta veteen.
- ◆ Älä avaa laitteen kotelo. Sen sisällä ei ole käyttäjän huollettavissa olevia osia.
- ◆ Älä käytä laitetta räjähdysalttiissa ympäristössä, jossa on syttyvää nestettä, kaasua tai pölyä.
- ◆ Älä koskaan irrota johtoa pistorasiasta johdosta vetäen. Pisto- ke ja johto voivat vahingoittua.

## Muiden turvallisuus

- ◆ Tätä laitetta ei ole tarkoitettu sellaisten henkilöiden käyttöön, joilla on fyysisiä tai älyllisiä rajoitteita tai aistirajoitteita eikä laitteen toimintaan perehtymättömien henkilöiden käyttöön (lapset mukaan luettuina), paitsi valvonnan alaisina tai jos he ovat saaneet laitteen käyttöön liittyvää opastusta heidän turvallisuudestaan vastaavalta henkilöltä.
- ◆ Lapsia on valvottava ja estettävä leikkimästä laitteella.
- ◆ Lopeta koneita ihmisiä, erityisesti lapsia, tai eläinten läheisyydessä.

## Muut riskit.

Myös muut kuin turvavaroituksissa mainitut riskit ovat mahdollisia työkalua käytettäessä. Nämä riskit voivat liittyä muun muassa virheelliseen tai pitkäaikaiseen käyttöön. Tiettyjä jäännösriskejä ei voi välttää, vaikka noudatetaan kaikkia turvamääräyksiä ja käytetään turvalaitteita. Näihin kuuluvat muun muassa

- ◆ pyörivien tai liikkuvien osien koskettamisen aiheuttamat vahingot
- ◆ osia, teriä tai lisävarusteita vaihdettaessa aiheutuneet vahingot
- ◆ työkalun pitkäaikaisen käytön aiheuttamat vahingot Kun käytät työkalua pitkään, varmista, että pidät säännöllisesti taukoja.
- ◆ kuulovauriot
- ◆ Työkalua käytettäessä (esimerkiksi puuta, erityisesti tammaa, pöykkiä ja MDF-levyjä käsitellessä) syntyneen pölyn sisäänhengityksen aiheuttamat terveysriskit.

## Käytön jälkeen

- ◆ Kun laitetta ei käytetä, säilytä sitä kuivassa, hyvin tuulettussa paikassa poissa lasten ulottuvilta.
- ◆ Pidä laite lasten ulottumattomissa.
- ◆ Kun laitetta säilytetään tai kuljetetaan ajoneuvossa, sijoita se tavaratilaan tai kiinnitä se kunnolla, ettei se matkan aikana pääse liikkumaan.

## Tarkastus ja korjaus

- ◆ Irrota laite sähköverkosta ennen kuin tarkistat tai puhdistat leikkuria tai työskentelet koneen ja kun se on käytössä.
- ◆ Tarkista ennen laitteen käyttöä, ettei laitteessa ole vahingoittuneita tai viallisia osia. Tarkista osien ja kytkimien kunto sekä muut seikat, jotka voivat vaikuttaa laitteen toimintaan.
- ◆ Älä käytä laitetta, jos jokin osa on vahingoittunut tai viallinen.
- ◆ Korjauta tai vaihdata vaurioituneet tai vialliset osat valtuutetussa huoltoliikkeessä.
- ◆ Älä yritä korjata tai vaihtaa muita kuin tässä käyttöohjeessa erikseen määriteltyjä osia.

## Jatkojohdon käyttäminen

Käytä aina oikeanlaista jatkojohtoa, joka sopii tämän laitteen virransyöttölitäntään (katso kohta Tekniset tiedot). Jatkojohdon on oltava ulkokäyttöön soveltuva ja siinä on oltava vastaava merkintä. Laitteen kanssa voidaan käyttää enintään 30 m pitkää 1.5 mm2:n HO5VV-F-jatkojohtoa ilman tehon heikkenemistä. Tarkista jatkojohdon kunto ennen sen käyttämistä. Vahingoittunut tai viallinen kaapeli on vaihdettava. Jos käytät jatkojohdokelaa, kelaa johto aina täysin auki.

## Ruohotrimmereiden lisäturvaohjeet

**Varoitus!** Leikkaavien osien pyöriminen jatkuu senkin jälkeen, kun moottori on sammutettu.

- Tutustu hallintalaitteisiin ja opettele laitteen oikea käyttö.
- Tarkista ennen käyttöä, että sähkö- ja jatkojohdot eivät ole vaurioituneet, vanhentuneet tai kuluneet. Jos johto vahingoittuu käytön aikana, irrota johto heti virtalähteestä. **ÄLÄ KOSKETA JOHTOA, ENNEN KUIN OLET IRROTTANUT SEN VIRTALÄHTEESTÄ.**
- Älä käytä laitetta, jos sen johdot ovat vahingoittuneet tai kuluneet.
- Suojaa jalat laitteen käytön aikana käyttämällä tukevia jalkineita.
- Suojaa sääret käyttämällä pitkiä housuja.
- Tarkista ennen laitteen käyttöä, ettei työskentelyalueella ole oksia, kiviä, metallilankaa tai muita esteitä.
- Käytä laitetta vain pystyasennossa, leikkulanka kuvan mukaisesti lähellä maata. Älä koskaan käynnistä laitetta missään muussa asennossa.
- Liiku hitaasti, kun käytät laitetta. Muista, että juuri leikattu ruoho on kosteaa ja liukasta.
- Älä työskentele jyrkissä rinteissä. Työskentele rinteen korkeussuuntaan nähden poikittain, älä ylhäältä alas tai päinvastoin.
- Älä koskaan kuljeta laitetta sora- tai hiekkateiden yli langan pyöriessä.
- Älä koskaan kosketa leikkulankaa laitteen ollessa käynnissä.
- Älä laita laitetta maahan, ennen kuin leikkulanka on täysin pysähtynyt.
- Käytä ainoastaan oikean tyyppistä leikkulankaa. Älä koskaan käytä metallista leikkulankaa tai ongensiimaa.
- Älä koske langan leikkuuteraan.
- Pidä verkkovirtajohto aina mahdollisimman kaukana leikkulangasta. Ota huomioon virtajohdon asento aina laitetta käytettäessä.
- Pidä kädet ja jalat poissa leikkulangan tieltä etenkin, kun moottori käynnistetään.
- Tarkista laite kulumisen tai vaurioiden varalta ennen työn aloittamista ja iskujen jälkeen. Korjaa puutteet ennen työn jatkamista.
- Älä koskaan käytä laitetta, jos jokin suoja on vaurioitunut tai ei ole paikallaan.

- Varo vahingoittamasta itseäsi leikkulangan lyhentämiseen varustetulla laitteella. Kun olet pidentänyt uutta leikkulankaa, aseta laite aina takaisin normaaliin käyttöasentoon ennen käynnistämistä.
- Varmista aina, että ilmanvaihtoaukot ovat puhtaita.
- Älä käytä nurmikkotrimmeriä (reunatrimmeriä), jos sen johdot ovat vahingoittuneet tai kuluneet.
- Pidä jatkojohdot poissa leikkaavien osien tieltä.

## Laitteessa olevat merkinnät

Laitteessa on seuraavat varoitusmerkinnät:



Lue käyttöohje ennen laitteen käyttöönottoa.



Käytä suojalaseja, kun käytät laitetta.



Käytä asianmukaisia kuulosuojaimia, kun käytät laitetta.



Irrota verkkojohto pistorasiasta aina ennen vaurioituneen johdon tarkistamista. Älä käytä trimmeriä, jos virtajohto on vahingoittunut.



Varo sinkoilevia esineitä. Pidä sivulliset poissa leikkausalueelta.



Älä käytä laitetta sateessa tai erittäin kosteissa olosuhteissa.



Direktiivin 2000/14/EY mukainen taattu ääniteho.

## Sähköturvallisuus



Tämä laite on kaksoiseristetty, joten erillistä maadoitusta ei tarvita. Tarkista aina, että virtalähde vastaa arvokilvessä ilmoitettua jännitettä.

- Jos virtajohto vahingoittuu, sen vaihtaminen on turvallisuussyistä jätettävä valmistajan tai valtuutetun Black & Decker -huollon tehtäväksi.
- Sähköturvallisuutta voi parantaa käyttämällä erittäin herkkää (30 mA) vikavirtasuojaa.



## Yleiskuvaus

Tässä laitteessa on kaikki tai joitakin seuraavista ominaisuuksista.

1. Virtakytkin
2. Kahva
3. Kaapelin pitosilmukka
4. Virransyöttöliitäntä
5. Lisäkahva
6. Säätöpainike
7. Putki
8. Varakelan säilytyslokero
9. HDL-kela
10. Suojus
11. Langan leikkuuterä
12. Kelakotelo
13. Leikkuusiima
14. Reunakiekko

## Kokoaminen

**Varoitus!** Varmista ennen kokoamista, että virta on katkaistu ja että virtajohto on irti pistorasiasta.

### Suojuksen kiinnittäminen (kuvat A ja B)

- ◆ Irrota ruuvi (15) suojuksesta (10).
- ◆ Aseta suojus (10) kuvan osoittamalla tavalla työkalun päälle.
- ◆ Paina suojusta voimakkaasti, kunnes se napsahtaa paikalleen.
- ◆ Kiinnitä suojus ruuvilla.
- ◆ Kiristä ruuvi.

**Varoitus!** Älä käytä työkalua, jos suojus ei ole kunnolla paikallaan.

### Lisäkahvan kiinnittäminen (kuva C)

- ◆ Paina rungon sivulla olevaa säätöpainiketta (6) ja pidä sitä painettuna.
- ◆ Paina lisäkahva (5) paikalleen säätöpainikkeen (6) yläpuolelle.

**Varoitus!** Varmista, että painikkeen hampaat ovat kahvan koloissa ja että kahva on kiinni.

### Lisäkahvan asennon säätäminen

#### (kuva D)

Säädä lisäkahvan (5) asento niin, että trimmeri pysyy tasapainossa ja sen käyttömukavuus on mahdollisimman hyvä.

- ◆ Paina kahvan vasemmalla puolella olevaa säätöpainiketta (6).
- ◆ Kierrä lisäkahva (5) haluttuun asentoon.
- ◆ Vapauta säätöpainike (6).

**Varoitus!** Varmista, että painikkeen hampaat ovat kahvan koloissa ja että kahva on kiinni.

## Työkalun korkeuden säätö (kuvat E ja F)

Työkalussa on teleskooppivarsi, jolla sen korkeus voidaan säätää halutuksi. Korkeusasetuksia on useita.

Säädä korkeusasetus seuraavasti:

- ◆ Avaa korkeudensäädön lukitusvipu (16)..
- ◆ Säädä trimmerin korkeus sopivaksi liu'uttamalla putkea (7) ylös tai alas.
- ◆ Sulje korkeudensäädön lukitusvipu (16).

## Leikkuusiiman vapauttaminen

Leikkuusiima on teipattu kiinni kelakoteloon kuljetuksen ajaksi.

- ◆ Irrota leikkuusiiman kelakoteloon (12) kiinnittävä teippi.

## Käyttämättömän kelan varastointi (kuva G)

Työkalussa on kaksi leikkuujärjestelmää:

- ◆ **AFS:** yhden siiman automaattinen syöttö kevyttä leikkausta ja reunojen käsittelyä varten.
- ◆ **HDL:** Heavy Duty Dual Line -leikkuujärjestelmä ylikasvaneita alueita varten.

**Huomautus:** HDL-kelaa voi käyttää vain leikkaustilassa. Käyttämättömät leikkuujärjestelmät voi säilyttää varakelan säilytyslokerossa (vain GL8033 ja GL9035).

- ◆ Kohdista kelan suojuksen kielekkeet (17) varakelan säilytyslokeron reikiin (18).
- ◆ Paina suojus varakelan säilytyslokeroon, kunnes se napsahtaa kiinni paikalleen.

## Työkalun kytkeminen verkkovirtaan (kuva H)

- ◆ Kiinnitä sopivan jatkojohdon naarasliitin virransyöttöliitäntään (4).
- ◆ Pujota kaapeli kaapelin pitosilmukan (3) läpi.
- ◆ Kytke verkkopistoke virtalähteeseen.

Langoitetuille johtoyksiköille: Varmista, että johto on kierretty johdon pidikkeen kautta, ennen kuin kiinnität johdon verkkovirtaan.

**Varoitus!** Jatkojohdon on oltava ulkokäyttöön sopiva.

## Käyttö

**Varoitus!** Anna työkalun käydä omaan tahtiinsa. Älä ylikuormita sitä.

## Työkalun asettaminen leikkaus- tai reunojenkäsittelytilaan (kuvat I ja J)

Työkalua voidaan käyttää kuvan I mukaisessa tilassa leikkaamiseen tai kuvan J mukaisesti nurmikon reunojen ja kukkapenkien reunusten siistimiseen.

## Leikkaaminen (kuva I)

Leikkaamista varten trimmerin pää asetetaan kuvan I osoittamaan asentoon. Jos se ei ole kuvan osoittamassa asennossa:

- ◆ Avaa korkeudensäädön lukitusvipu (16)..

- ◆ Kierrä putkea (7) myötäpäivään.
- ◆ Kun pää on paikallaan, sulje korkeudensäädön lukitusvipu (16).

**Huomautus:** Putki pyörii vain yhteen suuntaan.

**Huomautus:** HDL-kelaa voi käyttää vain leikkaustilassa.

### Reunojen käsittely (kuva J)

Reunojen käsittelyä varten trimmerin pää asetetaan kuvan J osoittamaan asentoon. Jos se ei ole kuvan osoittamassa asennossa:

- ◆ Avaa korkeudensäädön lukitusvipu (16)..
- ◆ Kierrä putkea (7) vastapäivään.
- ◆ Kun pää on paikallaan, sulje korkeudensäädön lukitusvipu (16).

**Huomautus:** Putki pyörii vain yhteen suuntaan.

### Käynnistäminen ja pysäyttäminen

- ◆ Käynnistä laite painamalla virtakytkintä (1).
- ◆ Sammuta laite vapauttamalla virrankatkaisija.

**Varoitus!** Älä koskaan yritä lukita virrankatkaisijaa käyttöasentoon.

### Vinkkejä parhaimman tuloksen saamiseksi

#### Yleistä

- ◆ Paras leikkuutulos saavutetaan leikkaamalla vain kuivaa nurmikkoa.

#### Trimmaus

- ◆ Pitele työkalua kuvan K osoittamalla tavalla.
- ◆ Käännä trimmeriä kevyesti puolelta toiselle.
- ◆ Leikkaa pitkää ruohoa asteittain ylhäältä lähtien. Leikkaa vain vähän kerrallaan.
- ◆ Vältä kovia esineitä tai hentoja kasveja.
- ◆ Leikkukulanka kuluu nopeammin ja vaatii useammin tapahtuvaa syöttöä, kun leikkaat jalkakäytävien tai muiden hiovien pintojen lähellä tai tavallista kovempia rikkaruohoja.
- ◆ Jos työkalu alkaa käydä hitaasti, vähennä kuormitusta.

### Reunojen käsittely

Paras leikkuutulos saavutetaan, kun reunuksen syvyys on yli 50 mm.

- ◆ Älä käytä työkalua reunojen tekemiseen. Tee reunat käyttämällä reunauslapiota.
- ◆ Ohjaa työkalua sen pyörän varassa kuvan L mukaisesti.
- ◆ Lyhennä leikkauksen jälkeen kallistamalla työkalua hieman.

### Uuden siimakelan kiinnittäminen (kuvat M ja N)

Uusia siimakelajoja myyvät Black & Decker -tuotteiden jälleenmyyjät (tuotenro A6482). Myös kolmen leikkuusiimarullan pakkauksia on saatavana (tuotenro A6486).

- ◆ Irrota työkalu pistorasiasta.

- ◆ Pidä kelan suojuksen kielekkeitä (17) painettuina ja poista kelan suojuos (21) kotelosta (12) (kuva M).
- ◆ Poista tyhjä kela (22) kelan suojuksesta.
- ◆ Poista kaikki lika ja ruoho kelan suojuksesta ja kotelosta.
- ◆ Irrota leikkuusiiman pää ja pujota siima reikään (23) (kuva M). Siiman on tultava ulos noin 11 cm kelan suojuksesta.

**Huomautus:** Varo, ettei kelassa oleva siima pääse purkautumaan. Pitele kelaa koko ajan yhdellä kädellä tukevasti.

- ◆ Työnnä uusi kela suojuksen napaan. Kierrä kelaa hieman niin, että se kiinnittyy.
- ◆ Kohdistu kelan suojuksen kielekkeet (17) kotelon (12) reikiin (24).
- ◆ Paina suojuos koteloon, kunnes se napsahtaa kiinni paikalleen.

**Varoitus!** Jos leikkuusiimat ylettyvät leikkuuterän (11) yli, leikkaa ne lyhyemmiksi niin, että ne ovat terän kohdalla.

### Uuden vaativaan käyttöön tarkoitetun leikkuusiiman kiinnittäminen (kuvat O ja P)

Kymmenen vaativaan käyttöön tarkoitetun leikkuusiiman vaihtopakauksia myyvät Black & Decker -tuotteiden jälleenmyyjät (tuotenro A6489). Kiinnitä uusi vaativaan käyttöön tarkoitettu leikkuusiima seuraavasti:

- ◆ Irrota työkalu pistorasiasta.
- ◆ Pidä kelan suojuksen kielekkeitä (17) painettuna ja poista HDL-kelan suojuos (9) kotelosta (12).
- ◆ Poista kaikki lika ja ruoho HDL-kelan suojuksesta (9) ja kotelosta.
- ◆ Irrota käytetty siima HDL-kelan suojuksesta (9).
- ◆ Pujota uusi siima (20) HDL-kelan suojuksessa olevien reikiin (27) läpi.
- ◆ Aseta keskellä oleva tukiholkki (28) kuvassa olevaan asentoon (kuva P).
- ◆ Aseta HDL-kelan suojuos paikalleen.

**Varoitus!** Käytä vain oikeaa Black & Deckerin suosittamaa leikkuusiimaa.

### Virtapistokkeen vaihto (vain Iso-Britannia ja Irlanti)

Jos joudut vaihtamaan virtapistokkeen:

- ◆ Hävitä vanha pistoke ympäristöstävällisesti.
- ◆ Liitä ruskea johto uuden pistokkeen jännitteeseen napaan.
- ◆ Liitä sininen johto tähtipisteliittimeen.

**Varoitus!** Maadoitusliittimeen ei liitetä johtoa. Noudata pistokkeen mukana toimitettuja kiinnitysohjeita. Suositeltava sulake: 5 A.

### Vianmääritys

Jos laite ei näytä toimivan oikein, noudata seuraavia ohjeita. Jos tämä ei auta, ota yhteys paikalliseen Black & Decker -huoltoiliikkeeseen.

**Varoitus!** Irrota työkalu pistorasiasta ennen jatkamista.

**Työkalu käy hitaasti**

- ◆ Tarkista, että kelan kotelo pääsee pyörimään esteettä. Puhdista se varovasti tarvittaessa.
- ◆ Tarkista, että leikkuusiimaa ei tule ulos kelan kotelosta yli 11 cm. Jos se tulee, katkaise siima niin, että se juuri ylettyy leikkuuterään.

**Automaattinen siimansyöttö ei toimi**

- ◆ Pidä kelan suojuksen kielekkeitä painettuna ja poista kelan suojus kotelosta.
- ◆ Vedä siimaa niin, että se tulee ulos kotelosta 11 cm. Jos kelalla ei ole tarpeeksi siimaa, asenna uusi siimakela aikaisempien ohjeiden mukaan.
- ◆ Kohdista kelan suojuksen kielekkeet kotelon reikiin.
- ◆ Paina suojus koteloon, kunnes se napsahtaa kiinni paikalleen.
- ◆ Jos leikkuusiima ylettyy leikkuuterän yli, leikkaa se lyhyemmäksi niin, että se juuri ylettyy terään.

Jos automaattinen siimansyöttö ei vielääkään toimi tai kela on jumissa, kokeile seuraavia toimenpiteitä:

- ◆ Puhdista kelan suojus ja kotelo huolellisesti.
- ◆ Irrota kela ja varmista, että vipu pääsee liikkumaan esteettä.
- ◆ Poista kela, pura siima kelalta ja kierrä se sitten tasaisesti takaisin aikaisempien ohjeiden mukaisesti. Laita kela takaisin aikaisempien ohjeiden mukaisesti.

**Ympäristönsuojelu**

Erillinen keräys. Tätä tuotetta ei saa hävittää normaalin kotitalousjätteen kanssa.

Kun Black & Decker -laitteesi aikanaan täytyy vaihtaa tai ei kelpaa enää käyttöön, älä hävitä laitetta kotitalousjätteen mukana. Toimita laite kierrätettäväksi.



Käytettyjen tuotteiden ja pakkausmateriaalien erilliskeruun avulla materiaalit voidaan kierrättää ja käyttää uudelleen. Kierrätysmateriaalien käyttö auttaa vähentämään ympäristön saastumista ja uusien raaka-aineiden tarvetta.

Paikallisissa säädöksissä voidaan määrätä, että kodin sähkötutteen keruu tapahtuu kaupunkien jätteidenkäsittelyasemilla tai laitteita myyvissä liikkeissä uuden tuotteen oston yhteydessä.

Kun laitteesi on käytetty loppuun, älä hävitä sitä tavallisten roskien mukana. Vie tuotteesi valtuutettuun huoltoliikkeeseen, joka kerää vanhat laitteet puolestamme.

Saat valtuutettujen huoltoliikkeiden yhteystiedot ottamalla yhteyden Black & Decker Oy:hyn tässä käyttöoppaassa ilmoitetussa osoitteessa. Valtuutettujen Black & Decker -huoltoliikkeiden yhteystiedot sekä lisätietoja palveluistamme ja takuuohjeista on myös Internetissä osoitteessa [www.2helpU.com](http://www.2helpU.com).

**Tekniset tiedot**

		GL7033 (Tyyppi 1)	GL8033 (Tyyppi 1)	GL9035 (Tyyppi 1)
Jännite	V <sub>AC</sub>	230	230	230
Ottoteho	W	700	800	900
Kuormittamaton nopeus	min <sup>-1</sup>	7000	7000	7000
Paino	kg	3.2	3.2	3.2

**Äänenpainetaso:**

Äänenpaine (L<sub>PA</sub>) 80 dB(A), epätarkkuus (K) 2 dB(A)

Äänitehotaso (L<sub>WA</sub>) 94 dB(A), epätarkkuus (K) 2 dB(A)

**Tärinän kokonaisarvo (vektorisumma) standardin EN 786 mukaisesti:**

Tärinäpäästöarvo (a<sub>h</sub>) 8.2 m/s<sup>2</sup>, epätarkkuus (K) 1.5 m/s<sup>2</sup>

**EY-vaatimustenmukaisuusvakuutus**

KONEDIREKTIIVI  
ULKOILMAMELUDIREKTIIVI



GL7033/GL8033/GL9035

Black & Decker ilmoittaa, että tuotteet, jotka on kuvattu kohdassa Tekniset tiedot, täyttävät seuraavien direktiivien vaatimukset:

2006/42/EY, EN 60335-1, EN 60335-2-91

2000/14/EY, Nurmikkotrimmeri, L ≤ 50 cm, Liite VIII  
KEMA Quality B.V., Utrechtseweg 310, 6802 ED Arnhem,  
Alankomaat

Ilmoitetun elimen tunnusnumero: 0344

Äänitehotaso mitattuna standardin 2000/14/EY mukaisesti  
(Artikla 12, liite III, L ≤ 50 cm):

LWA (mitattu ääniteho) 94 dB(A)

epätarkkuus (K) = 2 dB(A)

LWA (taattu ääniteho) 96 dB(A)

epätarkkuus (K) = 2 dB(A)

Nämä tuotteet täyttävät myös direktiivien 2004/108/EY ja  
2011/65/EU vaatimukset.

Lisätietoja saa ottamalla yhteyden Black & Deckeriin  
seuraavassa osoitteessa. Tiedot ovat myös käyttöoppaan  
takakannessa.

Allekirjoittanut vastaa teknisten tietojen kokoamisesta ja antaa  
tämän ilmoituksen Black & Deckerin puolesta.

Kevin Hewitt

Vice-President Global Engineering  
Black & Decker Europe, 210 Bath Road, Slough,  
Berkshire, SL1 3YD

Yhdistynyt kuningaskunta

04/10/2012

**Takuu**

Black & Decker takaa, ettei tuotteessa ole materiaali- ja/tai valmistusvikaa silloin, kun se toimitetaan ostajalle. Takuu on lisäyksen kuluttajan laillisiin oikeuksiin eikä vaikuta niihin. Takuu on voimassa Euroopan unionin jäsenmaissa ja Euroopan vapaakauppa-alueella (EFTA).

Mikäli Black & Decker -kone hajoaa materiaali- ja/tai valmistusvirheen tai teknisten tietojen epätarkkuuden vuoksi 24 kk:n kuluessa ostopäivästä, Black & Decker korjaa koneen ilman kustannuksia ostajalle tai vaihtaa sen Black & Decker Oy:n valinnan mukaan. Takuu ei kata vikoja, jotka johtuvat seuraavista:

- ◆ Tuotetta on käytetty kaupallisesti, ammattimaisesti tai vuokraukseen.
- ◆ Tuotetta on käytetty tai hoidettu virheellisesti.
- ◆ Tuotetta on vahingoitettu vieraalla esineellä tai aineella tai se on ollut onnettomuudessa.
- ◆ Jos korjauksia on yrittänyt joku muu kuin Black & Deckerin valtuuttama edustaja tai Black & Deckerin henkilökunta.

Edellytyksenä takuun saamiselle on, että ostaja jättää koneen ja ostokuitin jälleenmyyjälle tai valtuutetulle huoltoilikeelle. Saat valtuutettujen huoltoilikeiden yhteystiedot ottamalla yhteyden Black & Decker Oy:hyn tässä käyttöoppaassa ilmoitetussa osoitteessa. Valtuutettujen Black & Decker -huoltoilikeiden yhteystiedot sekä lisätietoja palveluistamme ja takuuehdoista on myös Internetissä osoitteessa [www.2helpU.com](http://www.2helpU.com)

Voit rekisteröidä uuden Black & Decker -tuotteesi ja tarkastella tietoja uusista tuotteista ja erikoistarjouksista verkkosivuillemme [www.blackanddecker.fi](http://www.blackanddecker.fi). Saat lisätietoja Black & Deckerin tavaramerkistä ja tuotevalikoimastamme osoitteesta [www.blackanddecker.fi](http://www.blackanddecker.fi).

## Ενδεδειγμένη χρήση

Το χορτοκοπτικό Black & Decker είναι σχεδιασμένο για κοπή και φινιρίσμα στις άκρες του γκαζόν και για κοπή χόρτων σε περιορισμένους χώρους. Αυτό το εργαλείο προορίζεται μόνο για ερασιτεχνική χρήση.

## Οδηγίες ασφαλείας

**Προειδοποίηση!** Κατά τη χρήση συσκευών που τροφοδοτούνται με ηλεκτρικό ρεύμα, θα πρέπει να λαμβάνονται πάντα οι βασικές προφυλάξεις ασφαλείας, συμπεριλαμβανομένων των παρακάτω, για τον περιορισμό του κινδύνου πυρκαγιάς, ηλεκτροπληξίας, τραυματισμού προσώπων και υλικών ζημιών.

**Προειδοποίηση!** Κατά τη χρήση του μηχανήματος, πρέπει να τηρούνται οι κανόνες ασφαλείας. Για τη δική σας ασφάλεια και των παρευρισκομένων, διαβάστε αυτές τις οδηγίες πριν να χρησιμοποιήσετε το εργαλείο. Φυλάξτε τις οδηγίες σε ασφαλές μέρος για μεταγενέστερη χρήση.

- ◆ Διαβάστε προσεκτικά όλο το περιεχόμενο αυτού του εγχειριδίου πριν χρησιμοποιήσετε τη συσκευή σας.
- ◆ Η ενδεδειγμένη χρήση περιγράφεται σε αυτό το εγχειρίδιο. Τόσο η χρήση εξαρτημάτων ή προσαρτημάτων όσο και η πραγματοποίηση εργασιών με τη συσκευή που δε συνιστώνται σε αυτό το εγχειρίδιο οδηγούν εγγυμονεί κίνδυνο τραυματισμού.
- ◆ Φυλάξτε αυτό το εγχειρίδιο για μελλοντική αναφορά.

## Χρήση του εργαλείου σας

Προσέχετε πάντα όταν χρησιμοποιείτε το εργαλείο.

- ◆ Φοράτε πάντα προστατευτικά γυαλιά ασφαλείας.
- ◆ Μην αφήνετε ποτέ μικρά παιδιά ή άτομα που δεν γνωρίζουν τις οδηγίες να χρησιμοποιήσουν τη συσκευή.
- ◆ Μην αφήνετε παιδιά ή ζώα να πλησιάσουν στο χώρο εργασίας ή να αγγίζουν τη συσκευή ή το καλώδιο τροφοδοσίας.
- ◆ Όταν η συσκευή χρησιμοποιείται κοντά σε παιδιά είναι απαραίτητη η στενή επίτηρηση.
- ◆ Αυτή η συσκευή δεν προορίζεται για χρήση από νεαρά ή αδύναμα άτομα χωρίς επίβλεψη.
- ◆ Η συσκευή αυτή δεν πρέπει να χρησιμοποιείται ως παιχνίδι.
- ◆ Χρησιμοποιείτε τη συσκευή μόνο στο φως της ημέρας ή σε καλό τεχνητό φωτισμό.
- ◆ Να χρησιμοποιείται μόνο σε χώρους χωρίς υγρασία. Μην αφήνετε να βραχεί η συσκευή.
- ◆ Μην βυθίζετε τη συσκευή μέσα σε νερό.
- ◆ Μην ανοίγετε το περίβλημα του σώματος της συσκευής. Δεν υπάρχουν εξαρτήματα στο εσωτερικό που να επιδέχονται επισκευή από το χρήστη.
- ◆ Μην χρησιμοποιείτε τη συσκευή σε περιβάλλον όπου υπάρχει κίνδυνος έκρηξης, π.χ. παρουσία εύφλεκτων υγρών, αερίων ή σκόνης.

- ◆ Για να βγάλετε το φως από την πρίζα, μην τραβάτε ποτέ το καλώδιο. Έτσι θα αποφύγετε τον κίνδυνο φθοράς του φως και του καλωδίου.

## Ασφάλεια τρίτων

- ◆ Αυτή η συσκευή δεν προορίζεται για χρήση από άτομα (στα οποία περιλαμβάνονται και τα παιδιά) με μειωμένες φυσικές, αντιληπτικές ή διανοητικές ικανότητες ή άτομα χωρίς εμπειρία και γνώσεις, παρά μόνο εφόσον επιτηρούνται ή τους έχουν δοθεί οδηγίες σχετικά με τη χρήση του εργαλείου από άτομο υπεύθυνο για την ασφάλειά τους.
- ◆ Τα παιδιά πρέπει να επιτηρούνται για να εξασφαλίζεται ότι δεν παίζουν με τη συσκευή.
- ◆ Σταματήστε να χρησιμοποιείτε το μηχανήμα, ενώ οι άνθρωποι, ειδικά παιδιά, ή τα κατοικίδια ζώα βρίσκονται σε κοντινή απόσταση.

## Αναπόφευκτοι κίνδυνοι.

Μπορεί να δημιουργηθούν επιπρόσθετοι αναπόφευκτοι κίνδυνοι όταν χρησιμοποιείτε το εργαλείο, οι οποίοι μπορεί να μην συμπεριλαμβάνονται στις προειδοποιήσεις ασφαλείας που εσωκλείονται. Αυτοί οι κίνδυνοι μπορεί να προκληθούν από κακή χρήση, παρατεταμένη χρήση κτλ.

Ακόμα και με την τήρηση των σχετικών κανονισμών ασφαλείας και της χρήσης μέσων προστασίας, ορισμένοι κίνδυνοι δεν είναι δυνατοί να εξαλειφθούν. Αυτοί περιλαμβάνουν:

- ◆ Τραυματισμούς από το άγγιγμα των περιστρεφόμενων/κινούμενων εξαρτημάτων.
- ◆ Τραυματισμούς από αλλαγή οποιωνδήποτε εξαρτημάτων, λεπίδων ή αξεσουάρ.
- ◆ Τραυματισμούς από παρατεταμένη χρήση του εργαλείου. Όταν χρησιμοποιείτε οποιοδήποτε εργαλείο για παρατεταμένες χρονικές περιόδους, βεβαιωθείτε ότι κάνετε τακτικά διαλείμματα.
- ◆ Προβλήματα ακοής.
- ◆ Κίνδυνοι για την υγεία που προκαλούνται από την εισπνοή σκόνης όταν χρησιμοποιείτε το εργαλείο (παράδειγμα: όταν ετεξεργάζεστε ξύλο, ειδικά δρυ, οξιά και MDF.)

## Μετά τη χρήση

- ◆ Όταν δεν χρησιμοποιείται, η συσκευή πρέπει να φυλάσσεται σε στεγνό, καλά αεριζόμενο χώρο, μακριά από παιδιά.
- ◆ Τα παιδιά δεν πρέπει να έχουν πρόσβαση σε αποθηκευμένες συσκευές.
- ◆ Όταν η συσκευή αποθηκεύεται ή μεταφέρεται μέσα σε όχημα πρέπει να τοποθετείται στο χώρο αποσκευών ή να στερεώνεται ώστε να μη μετακινείται σε περίπτωση απότομων μεταβολών της ταχύτητας ή της κατεύθυνσης του οχήματος.

## Έλεγχος και επισκευή

- ◆ Αποσυνδέστε τη συσκευή από την πρίζα πριν από τον έλεγχο, καθαρισμό ή εργάζονται στο μηχανήμα και όταν δεν είναι σε χρήση.
- ◆ Πριν από τη χρήση, ελέγξτε τη συσκευή σας για τυχόν χαλασμένα ή ελαττωματικά εξαρτήματα. Ελέγξτε αν υπάρχουν σπασμένα εξαρτήματα και οποιοσδήποτε άλλες συνθήκες που θα μπορούσαν να επηρεάσουν τη λειτουργία της.
- ◆ Μην χρησιμοποιείτε τη συσκευή, αν κάποιο εξάρτημά της έχει καταστραφεί ή παρουσιάζει ελάττωμα.
- ◆ Φροντίστε να γίνει η επισκευή ή η αντικατάσταση των τυχόν ελαττωματικών εξαρτημάτων από εξουσιοδοτημένο κέντρο επισκευών.
- ◆ Μην επιχειρήσετε ποτέ να αφαιρέσετε ή να αντικαταστήσετε οποιοδήποτε εξάρτημα, εκτός από αυτά που καθορίζονται σε αυτό το εγχειρίδιο.

## Χρήση καλωδίου προέκτασης

Χρησιμοποιείτε πάντα εγκεκριμένα καλώδια προέκτασης, κατάλληλα για την ισχύ εισόδου αυτής της συσκευής (δείτε τεχνικά χαρακτηριστικά). Το καλώδιο προέκτασης πρέπει να είναι κατάλληλο για χρήση σε εξωτερικούς χώρους και να φέρει την αντίστοιχη σήμανση. Μπορείτε να χρησιμοποιήσετε ένα καλώδιο προέκτασης 1,5 mm<sup>2</sup> H05VV-F μήκους έως 30 m, χωρίς απώλειες απόδοσης. Πριν από τη χρήση, ελέγξτε προσεκτικά το καλώδιο προέκτασης για σημάδια ζημιάς, φθοράς ή παλαιώσης. Αντικαταστήστε το καλώδιο προέκτασης αν παρουσιάζει ζημιά ή ελάττωμα. Όταν χρησιμοποιείτε καρούλι καλωδίου, πάντα να ξετυλίγετε το καλώδιο εντελώς.

## Συμπληρωματικές οδηγίες ασφαλείας για τα χορτοκοπτικά με μακριά λαβή

**Προειδοποίηση!** Τα εξαρτήματα κοπής συνεχίζουν να περιστρέφονται και μετά την απενεργοποίηση του μοτέρ.

- ◆ Εξοικειωθείτε με τα χειριστήρια και τη σωστή χρήση της συσκευής.
- ◆ Πριν από τη χρήση, ελέγξτε προσεκτικά το καλώδιο τροφοδοσίας και το καλώδιο προέκτασης για σημάδια ζημιάς, παλαιώσης ή φθοράς. Εάν κάποιο καλώδιο υποστεί ζημιά κατά τη χρήση, αποσυνδέστε το αμέσως από την πρίζα. ΜΗΝ ΑΓΓΙΞΕΤΕ ΤΟ ΚΑΛΩΔΙΟ ΤΡΟΦΟΔΟΣΙΑΣ ΠΡΙΝ ΤΟ ΑΠΟΣΥΝΔΕΣΕΤΕ ΑΠΟ ΤΗΝ ΠΡΙΖΑ.
- ◆ Μην χρησιμοποιείτε τη συσκευή εάν τα καλώδια είναι κατεστραμμένα ή φθαρμένα.
- ◆ Φοράτε γερά παπούτσια ή μπότες για να προστατέψετε τα πόδια σας.
- ◆ Φοράτε μακρύ παντελόνι για να προστατεύετε τα πόδια σας.

- ◆ Πριν χρησιμοποιείτε τη συσκευή, βεβαιωθείτε ότι στο γκαζόν που θα κόψετε δεν υπάρχουν ξύλα, πέτρες, σύρματα ή άλλα εμπόδια.
- ◆ Χρησιμοποιείτε τη συσκευή μόνο σε κατακόρυφη θέση, με το νήμα κοπής κοντά στο έδαφος. Ποτέ μην ενεργοποιήσετε τη συσκευή σε οποιαδήποτε άλλη θέση.
- ◆ Μετακινήθειτε αργά κατά τη χρήση της συσκευής. Έχετε υπόψη σας ότι το φρεσκοκομμένο γρασίδι είναι υγρό και ολισθηρό.
- ◆ Μην εργάζεστε σε απότομες κλίσεις. Σε εδάφη με κλίση, να εργάζεστε κατά το πλάτος της κλίσης, όχι προς τα πάνω και κάτω.
- ◆ Μην διασχίζετε ποτέ μονοπάτια ή δρόμους με χαλί με τη συσκευή σε λειτουργία.
- ◆ Μην αγγίζετε ποτέ το νήμα κοπής ενώ λειτουργεί η συσκευή.
- ◆ Μην ακουμπήσετε κάτω τη συσκευή προτού το νήμα κοπής ακινητοποιηθεί εντελώς.
- ◆ Χρησιμοποιείτε μόνο τον κατάλληλο τύπο νήματος κοπής. Μην χρησιμοποιείτε ποτέ μεταλλικό νήμα κοπής ή πετονιά για ψάρεμα.
- ◆ Προσέξτε να μην αγγίξετε ποτέ τη λεπίδα κοπής γραμμής.
- ◆ Προσέξτε ώστε το καλώδιο ρεύματος να παραμένει μακριά από το νήμα κοπής. Γνωρίζετε ανά πάσα στιγμή που βρίσκεται το καλώδιο.
- ◆ Κρατάτε πάντοτε τα χέρια και τα πόδια σας μακριά από το νήμα κοπής, ειδικά κατά την ενεργοποίηση του μοτέρ.
- ◆ Πριν χρησιμοποιήσετε τη συσκευή και μετά από οποιαδήποτε πρόσκρουση, ελέγχετε για σημάδια φθοράς ή ζημιάς και επισκευάστε εάν είναι απαραίτητο.
- ◆ Μην χρησιμοποιείτε ποτέ τη συσκευή με ελαττωματικά προστατευτικά ή χωρίς τα προστατευτικά στη θέση τους.
- ◆ Προσέξτε να μην τραυματιστείτε από οποιαδήποτε συσκευή έχει τοποθετηθεί για την κοπή της γραμμής νήματος. Μετά το τέντωμα του νέου νήματος κοπής, πάντοτε επαναφέρετε το μηχανήμα στην κανονική του θέση χειρισμού πριν το ενεργοποιήσετε.
- ◆ Εξασφαλίστε πάντοτε ότι οι εγκοπές εξερισμού διατηρούνται καθαρές από υπολείμματα.
- ◆ Μην χρησιμοποιήσετε το κοπτικό γκαζόν (κοπτικό άκρων), εάν τα καλώδια είναι κατεστραμμένα ή φθαρμένα.
- ◆ Κρατήστε το καλώδιο προέκτασης μακριά από τα εξαρτήματα κοπής.

## Ετικέτες στο εργαλείο

Επάνω στο εργαλείο υπάρχουν τα ακόλουθα προειδοποιητικά σύμβολα:



Διαβάστε το εγχειρίδιο οδηγιών πριν από τη λειτουργία.



Φοράτε προστατευτικά γυαλιά όταν χρησιμοποιείτε αυτό το εργαλείο.



Φοράτε ωασιπίδες κατά το χειρισμό του εργαλείου.



Να βγάζετε πάντα το βύσμα από την πρίζα πριν ελέγξετε ένα φθαρμένο καλώδιο. Μην χρησιμοποιείτε το χοροτοκπτικό αν το καλώδιο έχει φθαρεί ή καταστραφεί.



Προσέχετε για τυχόν αντικείμενα που εκσφενδονίζονται. Μην αφήνετε να πλησιάσουν άλλα άτομα στην περιοχή κοπής.



Μην εκθέτετε τη μηχανή στη βροχή ή σε υψηλή υγρασία.



Εγγυημένη ηχητική ισχύς κατά την Οδηγία 2000/14/ΕΚ.

### Ασφαλής χρήση ηλεκτρικού ρεύματος



Αυτή η συσκευή φέρει διπλή μόνωση, επομένως δεν απαιτείται σύρμα γείωσης. Ελέγχετε πάντοτε αν η τάση τροφοδοσίας αντιστοιχεί σε αυτήν που αναγράφεται στην πινακίδα τεχνικών χαρακτηριστικών.

- ◆ Αν το καλώδιο ρεύματος έχει υποστεί φθορά, η αντικατάστασή του πρέπει να γίνει από τον κατασκευαστή ή από ένα εξουσιοδοτημένο κέντρο της Black & Decker, ώστε να μην αποτελέσει κίνδυνο.
- ◆ Η ηλεκτρική ασφάλεια μπορεί να βελτιωθεί ακόμα περισσότερο με τη χρήση μιας Διάταξης Προστασίας Ρεύματος Διαρροής (RCD) 30 mA υψηλής ευαισθησίας.

### Χαρακτηριστικά

Αυτή η συσκευή διαθέτει ορισμένα ή όλα από τα παρακάτω χαρακτηριστικά.

1. Διακόπτης On/Off
2. Λαβή
3. Συγκρατητήρας καλωδίου
4. Υποδοχή τροφοδοσίας
5. Δευτερεύουσα λαβή
6. Κομπι ρύθμισης
7. Σωλήνας
8. Χώρος αποθήκευσης ανταλλακτικού καρουλιού

9. Καρούλι HDL
10. Προστατευτικό
11. Λεπίδα κοπής γραμμής
12. Περιβλήμα καρουλιού
13. Νήμα κοπής
14. Τροχός φινιρίσματος άκρου

### Συναρμολόγηση

**Προειδοποίηση!** Πριν από τη συναρμολόγηση, βεβαιωθείτε ότι το εργαλείο είναι απενεργοποιημένο και ότι το φως δεν είναι συνδεδεμένο στην πρίζα.

#### Τοποθέτηση του προστατευτικού (εικ. A & B)

- ◆ Αφαιρέστε τη βίδα (15) από το προστατευτικό (10).
- ◆ Τοποθετήστε το προστατευτικό (10) στο εργαλείο όπως εικονίζεται.
- ◆ Πιέστε γερά το προστατευτικό μέχρι να κουμπώσει στη θέση του.
- ◆ Ασφαλίστε το προστατευτικό με τη βίδα.
- ◆ Σφίξτε τη βίδα.

**Προειδοποίηση!** Ποτέ μην χρησιμοποιείτε το εργαλείο εάν δεν έχει τοποθετηθεί σωστά το προστατευτικό.

#### Τοποθέτηση της δευτερεύουσας λαβής (εικ. C)

- ◆ Πιέστε και κρατήστε πατημένο το κουμπί ρύθμισης (6) στα πλάγια του κύριου κορμού.
- ◆ Σύρτε τη δευτερεύουσα λαβή (5) στη θέση της πάνω από το κουμπί ρύθμισης (6).

**Προειδοποίηση!** Βεβαιωθείτε ότι τα δόντια στο κουμπί έχουν ευθυγραμμιστεί σωστά με τις εγκοπές στη λαβή και ότι η λαβή έχει ασφαλιστεί.

#### Ρύθμιση της θέσης της δευτερεύουσας λαβής

##### (εικ. D)

Η δευτερεύουσα λαβή (5) μπορεί να ρυθμιστεί για να εξασφαλιστεί άριστη ισορροπία και άνεση.

- ◆ Πιέστε το κουμπί ρύθμισης (6) στην αριστερή πλευρά της λαβής.
- ◆ Περιστρέψτε τη δευτερεύουσα λαβή (5) στην απαιτούμενη θέση.
- ◆ Απελευθερώστε το κουμπί ρύθμισης (6).

**Προειδοποίηση!** Βεβαιωθείτε ότι τα δόντια στο κουμπί έχουν ευθυγραμμιστεί σωστά με τις εγκοπές στη λαβή και ότι η λαβή έχει ασφαλιστεί.

#### Ρύθμιση του ύψους του εργαλείου (εικ. E & F)

Το εργαλείο αυτό έχει έναν τηλεσκοπικό μηχανισμό, που σας επιτρέπει να το ρυθμίσετε σε ένα άνετο ύψος. Υπάρχουν πολλαπλές ρυθμίσεις ύψους.

Για να ρυθμίσετε το ύψος, προχωρήστε ως εξής:

- ◆ Απελευθερώστε το σφιγκτήρα ασφάλισης ρύθμισης του ύψους (16).

- ♦ Τραβήξτε απαλά το σωλήνα (7) προς τα πάνω ή προς τα κάτω στο ύψος που επιθυμείτε.
- ♦ Κλείστε το σφινγκτήρα ασφάλισης ρύθμισης του ύψους (16).

### Απελευθέρωση του νήματος κοπής

Κατά τη μεταφορά, το νήμα κοπής είναι κολλημένο με ταινία στο περίβλημα του καρουλιού.

- ♦ Αφαιρέστε την ταινία που συγκρατεί το νήμα κοπής στο περίβλημα του καρουλιού (12).

### Φύλαξη του καρουλιού που δεν χρησιμοποιείται (εικ. G)

Το εργαλείο έχει δύο συστήματα κοπής:

- ♦ **AFS:** Αυτόματη τροφοδοσία μονής γραμμής για ελαφριά κοπή και φινιρίσμα άκρου.
- ♦ **HDL:** Σύστημα κοπής διπλής κοπής για απαιτητικές εργασίες για περιοχές με πιο ψηλό γκαζόν.

**Σημείωση:** Το καρούλι HDL μπορεί να χρησιμοποιηθεί μόνο στη λειτουργία κοπής.

Μπορείτε να αποθηκεύσετε το σύστημα κοπής που δεν χρησιμοποιείτε στο χώρο αποθήκευσης ανταλλακτικού καρουλιού (GL8033 & GL9035 μόνο).

- ♦ Ευθυγραμμίστε τις γλωπίδες (17) στο κάλυμμα του καρουλιού με τις εγκοπές (18) στο χώρο αποθήκευσης ανταλλακτικού καρουλιού (8).
- ♦ Πιέστε το κάλυμμα πάνω στο χώρο αποθήκευσης ανταλλακτικού καρουλιού μέχρι να κουμπώσει καλά στη θέση του.

### Σύνδεση του εργαλείου στο δίκτυο ηλεκτρικής τροφοδοσίας (εικ. H)

- ♦ Συνδέστε το θηλυκό βύσμα ενός κατάλληλου καλωδίου προέκτασης στην υποδοχή εισόδου τροφοδοσίας (4).
- ♦ Περάστε σε θηλιά το καλώδιο από το συγκρατητήρα καλωδίου (3).
- ♦ Συνδέστε το βύσμα ρεύματος στην πρίζα.

Για καλωδιωμένες μονάδες: Βεβαιωθείτε ότι το καλώδιο έχει περαστεί μέσα από το συγκρατητήρα καλωδίου πριν συνδέσετε το φις στην πρίζα του δικτύου ηλεκτρικής τροφοδοσίας.

**Προειδοποίηση!** Το καλώδιο προέκτασης πρέπει να είναι κατάλληλο για χρήση σε εξωτερικούς χώρους.

### Χρήση

**Προειδοποίηση!** Αφήστε το εργαλείο να λειτουργήσει με το δικό του ρυθμό. Μην το υπερφορτώνετε.

### Ρύθμιση του εργαλείου στη λειτουργία κοπής ή φινιρίσματος άκρου (εικ. I & J)

Το εργαλείο μπορεί να χρησιμοποιηθεί στη λειτουργία κοπής όπως φαίνεται στην εικ. I ή στη λειτουργία φινιρίσματος άκρου, για να κόψει χόρτα που κρέμονται από το άκρο του γκαζόν ή του παρτεριού όπως φαίνεται στην εικ. J.

### Λειτουργία κοπής (εικ. I)

Για την κοπή, η κεφαλή κοπής πρέπει να βρίσκεται στη θέση που φαίνεται στην εικ. I. Εάν δεν είναι:

- ♦ Απελευθερώστε το σφινγκτήρα ασφάλισης ρύθμισης του ύψους (16).
- ♦ Περιστρέψτε το σωλήνα (7) δεξιόστροφα.
- ♦ Όταν η κεφαλή έρθει στη θέση της, κλείστε το σφινγκτήρα ασφάλισης ρύθμισης του ύψους (16).

**Σημείωση:** Ο σωλήνας περιστρέφεται μόνο προς μία κατεύθυνση.

**Σημείωση:** Το καρούλι HDL μπορεί να χρησιμοποιηθεί στη λειτουργία κοπής.

### Λειτουργία φινιρίσματος άκρου (εικ. J)

Για φινιρίσμα άκρου, η κεφαλή κοπής πρέπει να βρίσκεται στη θέση που φαίνεται στην εικ. J. Εάν δεν είναι:

- ♦ Απελευθερώστε το σφινγκτήρα ασφάλισης ρύθμισης του ύψους (16).
- ♦ Περιστρέψτε το σωλήνα (7) αριστερόστροφα.
- ♦ Όταν η κεφαλή έρθει στη θέση της, κλείστε το σφινγκτήρα ασφάλισης ρύθμισης του ύψους (16).

**Σημείωση:** Ο σωλήνας περιστρέφεται μόνο προς μία κατεύθυνση.

### Ενεργοποίηση και απενεργοποίηση

- ♦ Για να ενεργοποιήσετε το εργαλείο, πιέστε το διακόπτη on/off (1).
- ♦ Για να απενεργοποιήσετε το εργαλείο, απελευθερώστε το μοχλό-σκανδάλη.

**Προειδοποίηση!** Μην επιχειρήσετε ποτέ να ασφαλίσετε το μοχλό-σκανδάλη στη θέση ενεργοποίησης (ON).

### Συμβουλές για άριστη χρήση

#### Γενικά

- ♦ Για καλύτερα αποτελέσματα κοπής, κόβετε μόνο στεγνό γρασίδι.



**Κόψιμο**

- ◆ Κρατάτε το εργαλείο όπως υποδεικνύεται στην εικ. Κ.
- ◆ Κινήστε το χορτοκοπτικό απαλά, παλινδρομικά από πλευρά σε πλευρά.
- ◆ Όταν κόβετε ψηλά χόρτα, εργαστείτε σταδιακά από την κορυφή προς τα κάτω. Πραγματοποιήστε μικρές κοπές.
- ◆ Κρατήστε το εργαλείο μακριά από σκληρά αντικείμενα και ευαίσθητα φυτά.
- ◆ Το νήμα κοπής θα φθίρειται ταχύτερα και θα χρειάζεται συχνότερη τροφοδοσία, εάν η κοπή γίνεται κατά μήκος πεζοδρομίων ή άλλων σκληρών επιφανειών ή εάν κόβονται μεγαλύτερα ζιζάνια.
- ◆ Εάν το εργαλείο αρχίσει να λειτουργεί πιο αργά, μειώστε το φορτίο.

**Φινίρισμα άκρου**

Άριστα αποτελέσματα κοπής επιτυγχάνονται σε άκρα μήκους άνω των 50 mm.

- ◆ Μη χρησιμοποιήσετε το εργαλείο για τη δημιουργία άκρων. Για τη δημιουργία άκρων, χρησιμοποιήστε ένα φυτάρι κατάλληλο για αυτό.
- ◆ Κατευθύνετε το εργαλείο στον τροχό του όπως υποδεικνύεται στην εικ. L.
- ◆ Για να πραγματοποιήσετε μια πλησιέστερη κοπή, γείρετε ελαφρά το εργαλείο.

**Τοποθέτηση νέου καρουλιού νήματος κοπής (εικ. M & N)**

Ανταλλακτικά καρούλια νήματος κοπής διατίθενται από τα εμπορικά σημεία πώλησης προϊόντων Black & Decker (κατ. αριθ. A6482). Διατίθενται επίσης συσκευασίες που περιέχουν 3 καρούλια νήματος κοπής (αρ. κατ. A6486).

- ◆ Αποσυνδέστε το εργαλείο από την πρίζα.
- ◆ Κρατήστε τις γλωττίδες (17) πιεσμένες και αφαιρέστε το κάλυμμα του καρουλιού (21) από το περίβλημα (12) (εικ. M).
- ◆ Αφαιρέστε το άδειο καρούλι (22) από το κάλυμμα του καρουλιού.
- ◆ Αφαιρέστε τυχόν βρωμιές και χόρτα από το κάλυμμα και από το περίβλημα του καρουλιού.
- ◆ Ξεκουμπώστε το άκρο του νήματος κοπής και περάστε το στην οπή (23) (εικ. M). Το νήμα πρέπει να προεξέχει περίπου 11 cm από το κάλυμμα του καρουλιού.

**Σημείωση:** Μην αφήσετε το νήμα μέσα στο καρούλι να ξετυλιχθεί. Κρατάτε το σταθερά συνεχώς με το ένα χέρι.

- ◆ Πάρτε το νέο καρούλι και πιέστε το πάνω στην πλήμνη μέσα στο περίβλημα καρουλιού. Περιστρέψτε το καρούλι ελαφρά μέχρι να ασφαλίσει στη θέση του.
- ◆ Ευθυγραμμίστε τις γλωττίδες (17) στο κάλυμμα του καρουλιού με τις εγκοπές (24) στο περίβλημα (12).
- ◆ Πιέστε το κάλυμμα μέσα στο περίβλημα μέχρι να κουμπώσει καλά στη θέση του.

**Προειδοποίηση!** Εάν τα νήματα κοπής προεξέχουν πέρα από τη λεπίδα κοπής (11), κόψτε τα ώστε μόλις να φτάνουν στη λεπίδα.

**Τοποθέτηση ενός νέου νήματος κοπής για απαιτητικές εργασίες (εικ. O & P)**

Ανταλλακτικές συσκευασίες 10 νημάτων κοπής για απαιτητικές εργασίες διατίθενται από τα εμπορικά σημεία πώλησης προϊόντων Black & Decker (κατ. αριθ. A6489). Για να τοποθετήσετε ένα νέο νήμα κοπής, κάντε τα εξής:

- ◆ Αποσυνδέστε το εργαλείο από την πρίζα.
- ◆ Κρατήστε τις γλωττίδες (17) πιεσμένες και αφαιρέστε την τάπα HDL (9) από το περίβλημα (12).
- ◆ Αφαιρέστε τυχόν βρωμιές και χόρτα από την τάπα HDL (9) και το περίβλημα.
- ◆ Αφαιρέστε το χρησιμοποιημένο κομμάτι νήματος από την τάπα HDL (9).
- ◆ Περάστε ένα νέο κομμάτι νήματος (20) μέσα από τις οπές (27) σε μία από τις πλευρές της τάπας HDL.
- ◆ Τοποθετήστε τον κεντρικό δακτύλιο (28) στη θέση που υποδεικνύεται (εικ. P).
- ◆ Επανατοποθετήστε την τάπα HDL.

**Προειδοποίηση!** Χρησιμοποιήστε μόνο τον κατάλληλο τύπο νήματος κοπής της Black & Decker.

**Αντικατάσταση του ρευματολήπτη (H.B. & Ιρλανδία μόνο)**

Αν χρειαστεί να εγκαταστήσετε ένα καινούριο ρευματολήπτη (φισ):

- ◆ Απορρίψτε με ασφαλή τρόπο το παλιό φισ.
- ◆ Συνδέστε τον καφέ αγωγό στον ηλεκτροφόρο ακροδέκτη του νέου ρευματολήπτη.
- ◆ Συνδέστε τον μπλε αγωγό στον ουδέτερο ακροδέκτη.

**Προειδοποίηση!** Δεν χρειάζεται καμία σύνδεση στον ακροδέκτη γείωσης. Ακολουθήστε τις οδηγίες τοποθέτησης που παρέχονται με τους καλής ποιότητας ρευματολήπτες (φισ). Προτεινόμενη ασφάλεια τήξης: 5 A.

**Αντιμετώπιση προβλημάτων**

Σε περίπτωση που το εργαλείο σας δεν φαίνεται να λειτουργεί σωστά, ακολουθήστε τις παρακάτω οδηγίες. Αν αυτό δεν σας βοηθήσει να επιλύσετε το πρόβλημα, επικοινωνήστε με το πλησιέστερο κέντρο επισκευών της Black & Decker.

**Προειδοποίηση!** Πριν προχωρήσετε, αποσυνδέστε το εργαλείο από την πρίζα.

**Το εργαλείο λειτουργεί αργά**

- ◆ Ελέγξτε ότι το περίβλημα του καρουλιού μπορεί να περιστρέφεται ελεύθερα. Καθαρίστε το προσεκτικά, εάν χρειάζεται.
- ◆ Ελέγξτε ότι το νήμα δεν προεξέχει περισσότερο από 11 cm από το περίβλημα του καρουλιού. Εάν προεξέχει, κόψτε το ώστε μόλις να φτάνει στη λεπίδα κοπής.

### Η αυτόματη τροφοδοσία νήματος δε λειτουργεί

- ◆ Κρατήστε τις γλωττίδες πιεσμένες και αφαιρέστε το κάλυμμα του καρουλιού από το περίβλημα.
- ◆ Τραβήξτε το νήμα κοπής μέχρι να προεξέχει 11 cm από το περίβλημα. Εάν έχει μείνει ανεπαρκές μήκος νήματος κοπής στο καρούλι, τοποθετήστε ένα νέο καρούλι νήματος κοπής σύμφωνα με τις παραπάνω οδηγίες.
- ◆ Ευθυγραμμίστε τις γλωττίδες στο κάλυμμα του καρουλιού με τις εγκοπές στο περίβλημα.
- ◆ Πιέστε το κάλυμμα μέσα στο περίβλημα μέχρι να κουμπώσει καλά στη θέση του.
- ◆ Εάν το νήμα προεξέχει πέρα από τη λεπίδα κοπής, κόψτε το έτσι ώστε μόλις να φτάνει στη λεπίδα.

Εάν η αυτόματη τροφοδοσία νήματος εξακολουθεί να μην λειτουργεί ή εάν το καρούλι έχει φρακάρει, δοκιμάστε τις παρακάτω υποδείξεις:

- ◆ Καθαρίστε προσεκτικά το κάλυμμα του καρουλιού και το περίβλημα.
- ◆ Αφαιρέστε το καρούλι και ελέγξτε εάν ο μοχλός μπορεί να κινηθεί ελεύθερα.
- ◆ Αφαιρέστε το καρούλι και ξετυλίξτε το νήμα κοπής και, στη συνέχεια, τυλίξτε το και πάλι με τάξη όπως περιγράφεται παραπάνω. Αντικαταστήστε το καρούλι σύμφωνα με τις οδηγίες.

### Προστασία του περιβάλλοντος



Ξεχωριστή περισυλλογή. Αυτό το προϊόν δεν πρέπει να απορρίπτεται μαζί με τα κοινά οικιακά απορρίμματα.

Εάν κάποια μέρα διαπιστώσετε ότι το προϊόν σας Black & Decker χρειάζεται αντικατάσταση ή ότι δεν το χρειάζεστε άλλο, μην το απορρίψετε μαζί με τα κοινά οικιακά απορρίμματα, αλλά διαθέστε αυτό το προϊόν για ξεχωριστή περισυλλογή.



Η ξεχωριστή περισυλλογή των μεταχειρισμένων προϊόντων και των υλικών συσκευασίας επιτρέπει την ανακύκλωση και επαναχρησιμοποίηση των υλικών.

Με την επαναχρησιμοποίηση των ανακυκλωμένων υλικών αποτρέπεται η μόλυνση του περιβάλλοντος και μειώνεται η ζήτηση πρώτων υλών.

Οι κανονισμοί που ισχύουν στην περιοχή σας ενδέχεται να προβλέπουν την ξεχωριστή περισυλλογή των ηλεκτρικών συσκευών που προέρχονται από νοικοκυριά σε δημοτικές εγκαταστάσεις ή από τον έμπορο όταν αγοράσετε ένα καινούργιο προϊόν.

Η Black & Decker δίνει τη δυνατότητα ανακύκλωσης των προϊόντων της που έχουν συμπληρώσει τη διάρκεια ζωής τους. Για να χρησιμοποιήσετε αυτήν την υπηρεσία, επιστρέψτε το προϊόν σας σε οποιοδήποτε εξουσιοδοτημένο κέντρο επισκευών, όπου θα το παραλάβουν εκ μέρους μας.

Ενημερωθείτε για το πλησιέστερο εξουσιοδοτημένο κέντρο επισκευών της περιοχής σας, επικοινωνώντας με τα γραφεία της Black & Decker στη διεύθυνση που αναγράφεται στο εγχειρίδιο. Επίσης, μια λίστα με τα εξουσιοδοτημένα κέντρα επισκευών της Black & Decker και πλήρεις λεπτομέρειες για τις υπηρεσίες που παρέχονται μετά την πώληση, καθώς και στοιχεία επικοινωνίας, υπάρχουν στο Διαδίκτυο, στη διεύθυνση: [www.2helpU.com](http://www.2helpU.com)

### Τεχνικά χαρακτηριστικά

		GL7033 (Τύπος 1)	GL8033 (Τύπος 1)	GL9035 (Τύπος 1)
Τάση	$V_{AC}$	230	230	230
Ισχύς εισόδου	W	700	800	900
Ταχύτητα χωρίς φορτίο	$\text{min}^{-1}$	7000	7000	7000
Βάρος	kg	3.2	3.2	3.2

#### Στάθμη ηχητικής πίεσης:

Ηχητική πίεση ( $L_{pA}$ ) 80 dB(A), αβεβαιότητα (K) 2 dB(A)

Ηχητική ισχύς ( $L_{WA}$ ) 94 dB(A), αβεβαιότητα (K) 2 dB(A)

#### Συνολικές τιμές δόνησης (διανυσματικό άθροισμα τριών αξόνων) κατά EN 786:

Τιμή εκπομπής δόνησης ( $a_{hv}$ ) 8.2  $\text{m/s}^2$ , αβεβαιότητα (K) 1.5  $\text{m/s}^2$

**Δήλωση συμμόρφωσης ΕΚ**

ΟΔΗΓΙΑ ΠΕΡΙ ΜΗΧΑΝΗΜΑΤΩΝ  
ΟΔΗΓΙΑ ΓΙΑ ΘΟΡΥΒΟΥΣ ΣΕ ΕΞΩΤΕΡΙΚΟΥΣ ΧΩΡΟΥΣ



GL7033/GL8033/GL9035

Η Black & Decker δηλώνει ότι τα προϊόντα αυτά που περιγράφονται στα "τεχνικά χαρακτηριστικά"

συμμορφώνονται με τα ακόλουθα:

2006/42/ΕΚ, EN 60335-1, EN 60335-2-91

2000/14/ΕΚ, Χορτοκοπτικό, L ≤ 50 cm, Παράρτημα VIII  
KEMA Quality B.V., Utrechtseweg 310, 6802 ED Arnhem,  
The Netherlands

Αρ. ID Διακοινωμένου Οργανισμού: 0344

Στάθμη ηχητικής ισχύος, μετρημένης σύμφωνα με την οδηγία  
2000/14/ΕΚ

(Άρθρο 12, Παράρτημα III, L ≤ 50 cm):

LWA (μετρημένη ηχητική ισχύς) 94 dB(A)

αβεβαιότητα (K) = 2 dB(A)

LWA (εγγυημένη ηχητική ισχύς) 96 dB(A)

αβεβαιότητα (K) = 2 dB(A)

Αυτά τα προϊόντα συμμορφώνονται επίσης με την Οδηγία  
2004/108/ΕΚ και 2011/65/ΕΕ.

Για περισσότερες πληροφορίες, επικοινωνήστε με την Black & Decker στην παρακάτω διεύθυνση ή να ανατρέξετε στο πίσω μέρος του εγχειριδίου.

Ο κάτωθι υπογεγραμμένος είναι υπεύθυνος για την κατάρτιση του τεχνικού φακέλου και δηλώνει τα παρόντα εκ μέρους της Black & Decker.

Kevin Hewitt

Αντιπρόεδρος παγκόσμιας μηχανικής  
Black & Decker Europe, 210 Bath Road, Slough,  
Berkshire, SL1 3YD  
United Kingdom  
04/10/2012

**Εγγύηση**

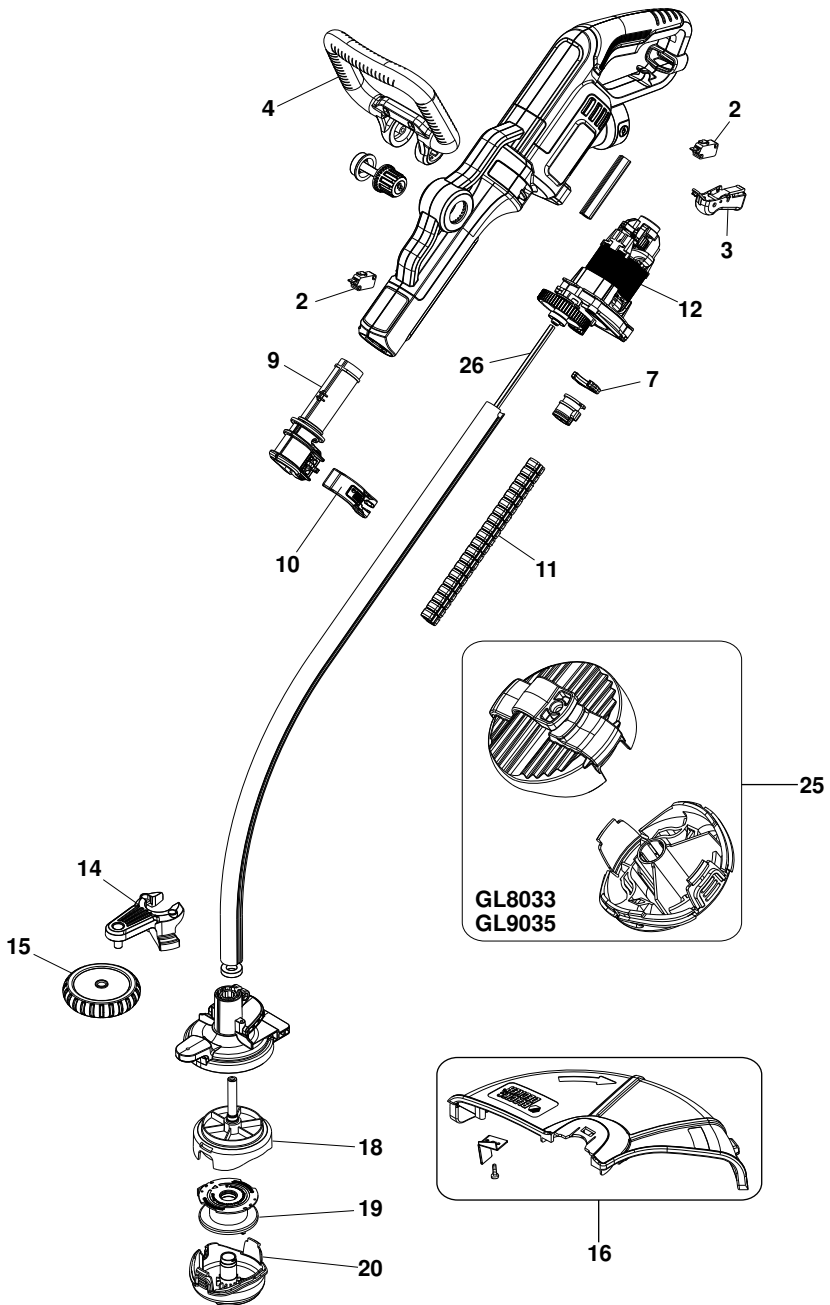
Η Black & Decker είναι σίγουρη για την ποιότητα των προϊόντων της και παρέχει εξαιρετική εγγύηση. Η παρούσα γραπτή εγγύηση αποτελεί πρόσθετο δικαίωμά σας και δεν ζημιώνει τα νόμιμα δικαιώματά σας. Η εγγύηση ισχύει εντός της επικράτειας των Κρατών Μελών της Ευρωπαϊκής Ένωσης και της Ευρωπαϊκής Ζώνης Ελευθέρων Συναλλαγών.

Σε περίπτωση που κάποιο προϊόν της Black & Decker παρουσιάσει βλάβη εξαιτίας ελαττωματικών υλικών, ποιότητας εργασίας ή έλλειψης συμφωνίας με τις προδιαγραφές εντός 24 μηνών από την ημερομηνία αγοράς, η Black & Decker εγγυάται την αντικατάσταση των ελαττωματικών τμημάτων, την επισκευή προϊόντων που έχουν υποστεί εύλογη φθορά λόγω χρήσης ή την αντικατάσταση των προϊόντων προκειμένου να εξασφαλίσει την ελάχιστη ενόχληση στους πελάτες της, εκτός εάν:

- ◆ Το προϊόν έχει χρησιμοποιηθεί σε εργασιακό, επαγγελματικό περιβάλλον ή έχει εννοικιαστεί.
- ◆ Έχει γίνει εσφαλμένη χρήση του προϊόντος ή έχει παραμεληθεί.
- ◆ Το προϊόν έχει υποστεί βλάβη από άλλα αντικείμενα, από ουσίες ή λόγω ατυχήματος.
- ◆ Έχει γίνει προσπάθεια επισκευής από μη εξουσιοδοτημένα κέντρα επισκευών ή από τεχνικούς που δεν ανήκουν στο προσωπικό της Black & Decker.

Για να ισχύσει η εγγύηση, πρέπει να υποβάλετε απόδειξη αγοράς στον πωλητή ή το εξουσιοδοτημένο κέντρο επισκευών. Ενημερωθείτε για το πλησιέστερο εξουσιοδοτημένο κέντρο επισκευών της περιοχής σας, επικοινωνώντας με τα γραφεία της Black & Decker στη διεύθυνση που αναγράφεται στο εγχειρίδιο. Επίσης, μια λίστα με τα εξουσιοδοτημένα κέντρα επισκευών της Black & Decker και πλήρεις λεπτομέρειες για τις υπηρεσίες που παρέχονται μετά την πώληση, καθώς και στοιχεία επικοινωνίας, υπάρχουν στο Διαδίκτυο, στη διεύθυνση: [www.2helpU.com](http://www.2helpU.com)

Επισκεφθείτε την ιστοσελίδα μας [www.blackanddecker.gr](http://www.blackanddecker.gr) για να καταχωρήσετε το νέο σας προϊόν Black & Decker και για να ενημερώνεστε για τα νέα προϊόντα και τις ειδικές προσφορές. Περισσότερες πληροφορίες σχετικά με τη μάρκα Black & Decker και τη σειρά των προϊόντων μας θα βρείτε στη διεύθυνση [www.blackanddecker.gr](http://www.blackanddecker.gr)







## ENGLISH

Do not forget to register your product!

[www.blackanddecker.co.uk/productregistration](http://www.blackanddecker.co.uk/productregistration)  
Register your product online at [www.blackanddecker.co.uk/productregistration](http://www.blackanddecker.co.uk/productregistration) or send your name, surname and product code to Black & Decker in your country

## DEUTSCH

Vergessen Sie nicht, Ihr Produkt registrieren zu lassen!

[www.blackanddecker.de/productregistration](http://www.blackanddecker.de/productregistration)  
Lassen Sie Ihr Produkt unter [www.blackanddecker.de/productregistration](http://www.blackanddecker.de/productregistration) online registrieren oder schicken Sie Ihren Nachnamen, Vornamen und den Produktcode an Black & Decker in Ihrem Land.

## FRANÇAIS

N'oubliez pas d'enregistrer votre produit !

[www.blackanddecker.fr/productregistration](http://www.blackanddecker.fr/productregistration)  
Enregistrez votre produit en ligne sur [www.blackanddecker.fr/productregistration](http://www.blackanddecker.fr/productregistration) ou envoyez vos nom, prénom et code produit à Black & Decker dans votre pays.

## ITALIANO

Non dimenticate di registrare il prodotto!

[www.blackanddecker.it/productregistration](http://www.blackanddecker.it/productregistration)  
Registrate il prodotto online su [www.blackanddecker.it/productregistration](http://www.blackanddecker.it/productregistration) o inviate nome, cognome e codice del prodotto al centro Black & Decker del vostro paese.

## NEDERLANDS

Vergeet niet uw product te registreren!

[www.blackanddecker.nl/productregistration](http://www.blackanddecker.nl/productregistration)  
U kunt uw product online registreren op [www.blackanddecker.nl/productregistration](http://www.blackanddecker.nl/productregistration) of u kunt uw voornaam, achternaam en productcode opsturen naar Black & Decker in uw land.

## ESPAÑOL

¡No olvide registrar su producto!

[www.blackanddecker.es/productregistration](http://www.blackanddecker.es/productregistration)  
Registre su producto on-line en [www.blackanddecker.es/productregistration](http://www.blackanddecker.es/productregistration) o envíe su nombre, apellidos y código de producto a Black & Decker en su país.

## PORTUGUÊS

Não se esqueça de registar o seu produto!

[www.blackanddecker.pt/productregistration](http://www.blackanddecker.pt/productregistration)  
Registe o seu produto online em [www.blackanddecker.pt/productregistration](http://www.blackanddecker.pt/productregistration) ou envie o seu nome, apelido e código do produto para a Black & Decker no seu país.

## SVENSKA

Glöm inte att registrera produkten!

[www.blackanddecker.se/productregistration](http://www.blackanddecker.se/productregistration)  
Registrera produkten online på [www.blackanddecker.se/productregistration](http://www.blackanddecker.se/productregistration) eller skicka namn och produktkod till Black & Decker i landet du bor i.

## NORSK

Ikke glem å registrere produktet ditt!

[www.blackanddecker.no/productregistration](http://www.blackanddecker.no/productregistration)  
Registrer produktet ditt online på [www.blackanddecker.no/productregistration](http://www.blackanddecker.no/productregistration), eller send ditt navn, etternavn og produktkode til Black & Decker i ditt eget land.

## DANSK

Glem ikke at registrere dit produkt!

[www.blackanddecker.dk/productregistration](http://www.blackanddecker.dk/productregistration)  
Registrer dit produkt på internettet på: [www.blackanddecker.dk/productregistration](http://www.blackanddecker.dk/productregistration) eller send dit navn, efternavn og produktkode til Black & Decker i dit eget land.

## SUOMI

Muistathan rekisteröidä tuotteesi!

[www.blackanddecker.fi/productregistration](http://www.blackanddecker.fi/productregistration)  
Rekisteröi tuotteesi verkossa osoitteessa [www.blackanddecker.fi/productregistration](http://www.blackanddecker.fi/productregistration) tai lähetä etunimesi, sukunimesi ja tuotekoodi oman maasi Black & Decker -edustajalle.

## ΕΛΛΗΝΙΚΑ

Μην ξεχάσετε να καταχωρίσετε το προϊόν σας!

[www.blackanddecker.gr/productregistration](http://www.blackanddecker.gr/productregistration)  
Καταχωρίστε το προϊόν σας σε σύνδεση στη σελίδα [www.blackanddecker.gr/productregistration](http://www.blackanddecker.gr/productregistration) ή στείλτε το όνομα, επίθετο σας και τον κωδικό προϊόντος στη Black & Decker στη χώρα σας.

<b>België/Belgique</b>	Black & Decker (Belgium) N.V. Nieuwlandlaan 7 I.Z. Aarschot B156 3200 Aarschot	Tel. Fax Tel. Fax	+32 70 220 065 +32 70 225 585 +32 70 220 064 +32 70 222 441
<b>Danmark</b>	Black & Decker Sluseholmen 2-4, 2450 København SV Internet: <a href="http://www.blackanddecker.dk">www.blackanddecker.dk</a>	Tel. Fax	70 20 15 10 70 22 49 10
<b>Deutschland</b>	Black & Decker GmbH Black & Decker Str. 40, D - 65510 Idstein	Tel. Fax	06126 21-0 06126 21-2980
<b>Ελλάδα</b>	Black & Decker (Ελλάς) Α.Ε. Στράβωνος 7 & Λεωφ. Βουλιαγμένης 159 166 74 Γλυφάδα - Αθήνα	Τηλ. Φαξ <a href="http://www.blackanddecker.com">www.blackanddecker.com</a>	210 8981-616 210 8983-570
<b>España</b>	Black & Decker Ibérica, S.C.A. Parc de Negocis "Mas Blau" Edificio Muntadas, c/Bergadá, 1, Of. A6 08820 El Prat de Llobregat (Barcelona)	Tel. Fax	934 797 400 934 797 419
<b>France</b>	Black & Decker (France) S.A.S. 5 allée des Hêtres B.P. 30084 69579 Limonest Cédex	Tel. Fax	04 72 20 39 20 04 72 20 39 00
<b>Helvetia</b>	ROFO AG Gewerbezone Seeblick 3213 Kleinbörsingen	Tel. Fax	026-6749391 026-6749394
<b>Italia</b>	Black & Decker Italia Srl Viale Elvezia 2 20052 Monza (MI)	Tel. Fax Numero verde	039-23871 039-2387592 800-213935
<b>Nederland</b>	Black & Decker Benelux Joulehof 12, 4622 RG Bergen op Zoom	Tel. Fax	+31 164 283 065 +31 164 283 200
<b>Norge</b>	Black&Decker Postboks 4613, Nydalen 0405 Oslo	Tlf. Fax <a href="http://www.blackanddecker.no">www.blackanddecker.no</a>	45 25 13 00 45 25 08 00
<b>Österreich</b>	Black & Decker Vertriebsges.m.b.H Oberlaaerstraße 248, A-1230 Wien	Tel. Fax	01 66116-0 01 66116-614
<b>Portugal</b>	Black & Decker Centro de Escritórios de Sintra Avenida Almirante Gago Coutinho, 132/134, Edifício 142710-418 Sintra 2710-418 Lisboa	Tel. Fax	214667500 214667580
<b>Suomi</b>	Black & Decker Oy Tekniikantie 12, 02150 Espoo Almirante Gago Coutinho, 132/134, Edifício 142710-418 Sintra 2710-418 Lisboa	Puh. Faksi	010 400 430 0800 411 340
<b>Sverige</b>	Black & Decker AB Box 94, 431 22 Mölndal	Tel. Fax	031-68 60 60 031-68 60 80
<b>United Kingdom</b>	Black & Decker 210 Bath Road Slough, Berkshire SL1 3YD	Tel. Fax	01753 511234 01753 551155
<b>Middle East &amp; Africa</b>	Black & Decker P.O.Box - 17164 Jebel Ali (South Zone), Dubai, UAE	Tel. Fax	+971 4 8863030 +971 4 8863333