
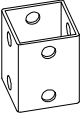
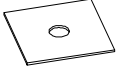
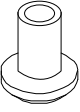
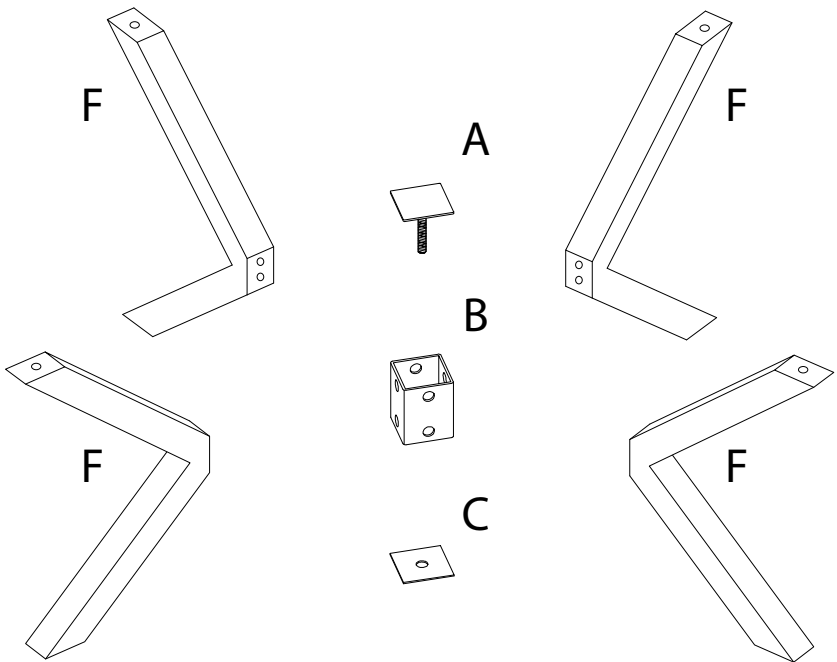
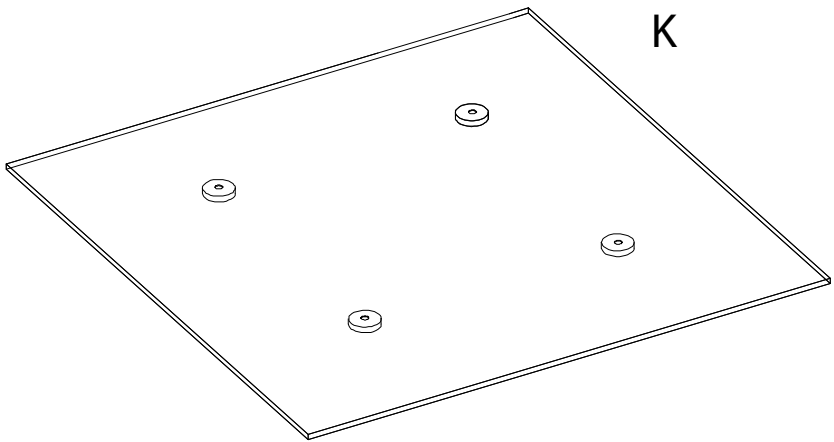


30'

1

A	B	C	D
			
x 1	x 1	x 1	x 1

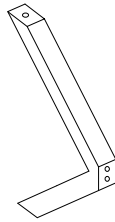


E



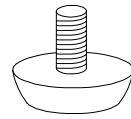
x 1

F



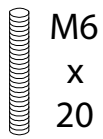
x 4

G



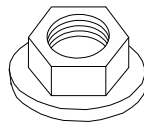
x 4

H



x 8

I



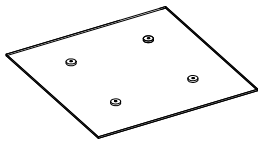
x 8

J



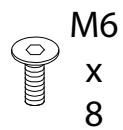
x 1

K



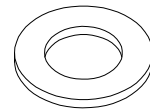
x 1

L



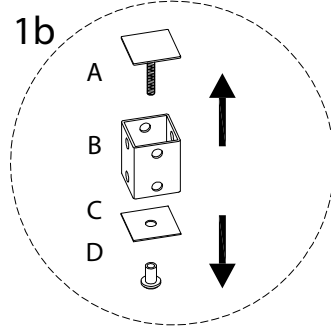
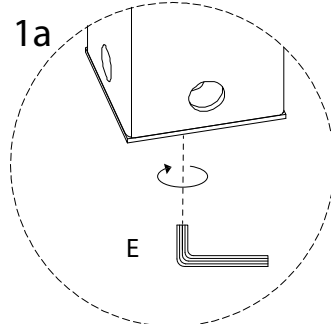
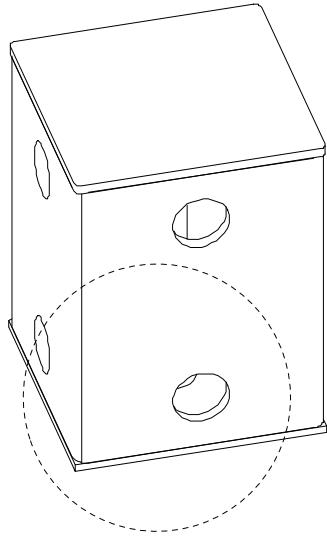
x 4

M

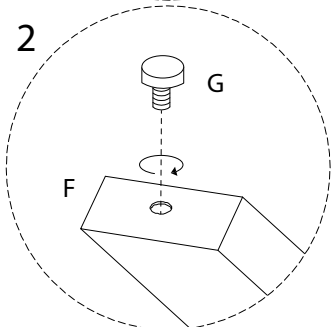
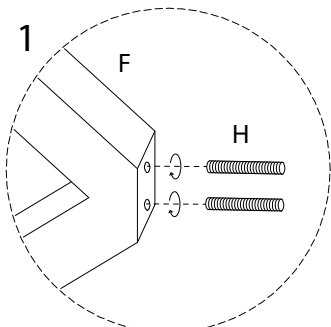
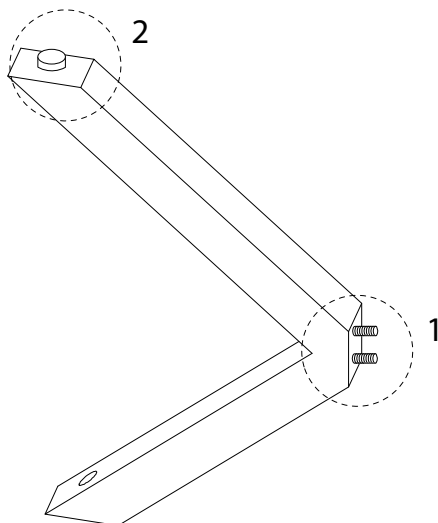
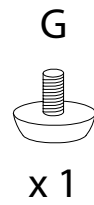


x 4

!



1 x 4



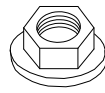
2

B



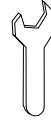
x1

I

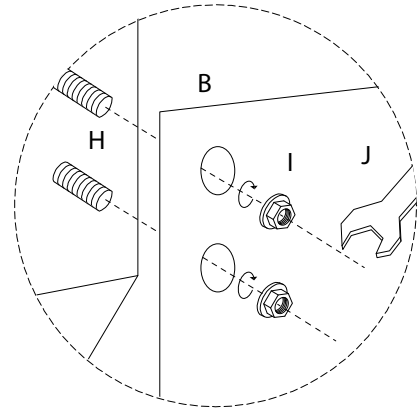
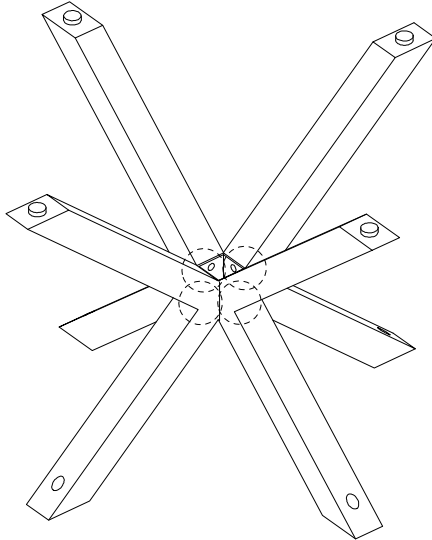


x8

J



x1



3

A



x1

C



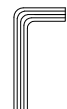
x1

D

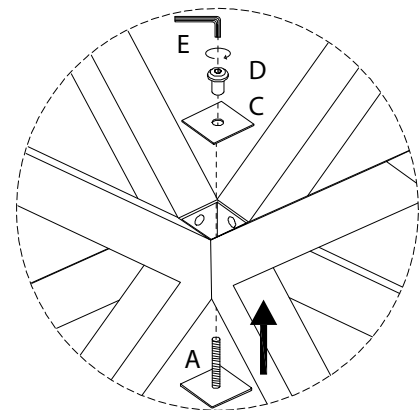
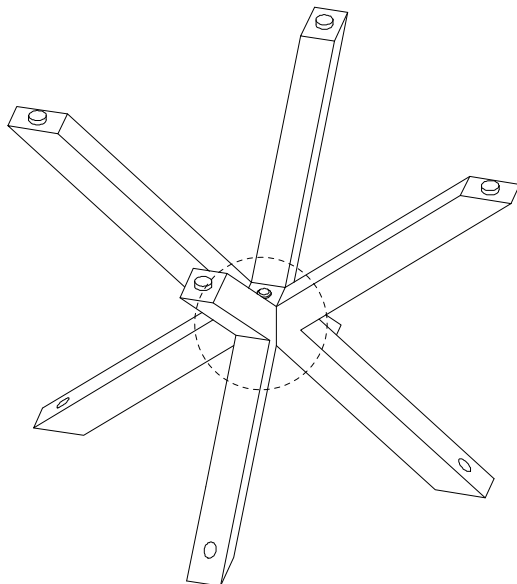


x1

E

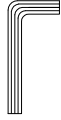


x1



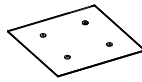
4

E



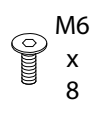
x 1

K



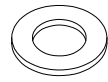
x 1

L



x 4

M



x 4

