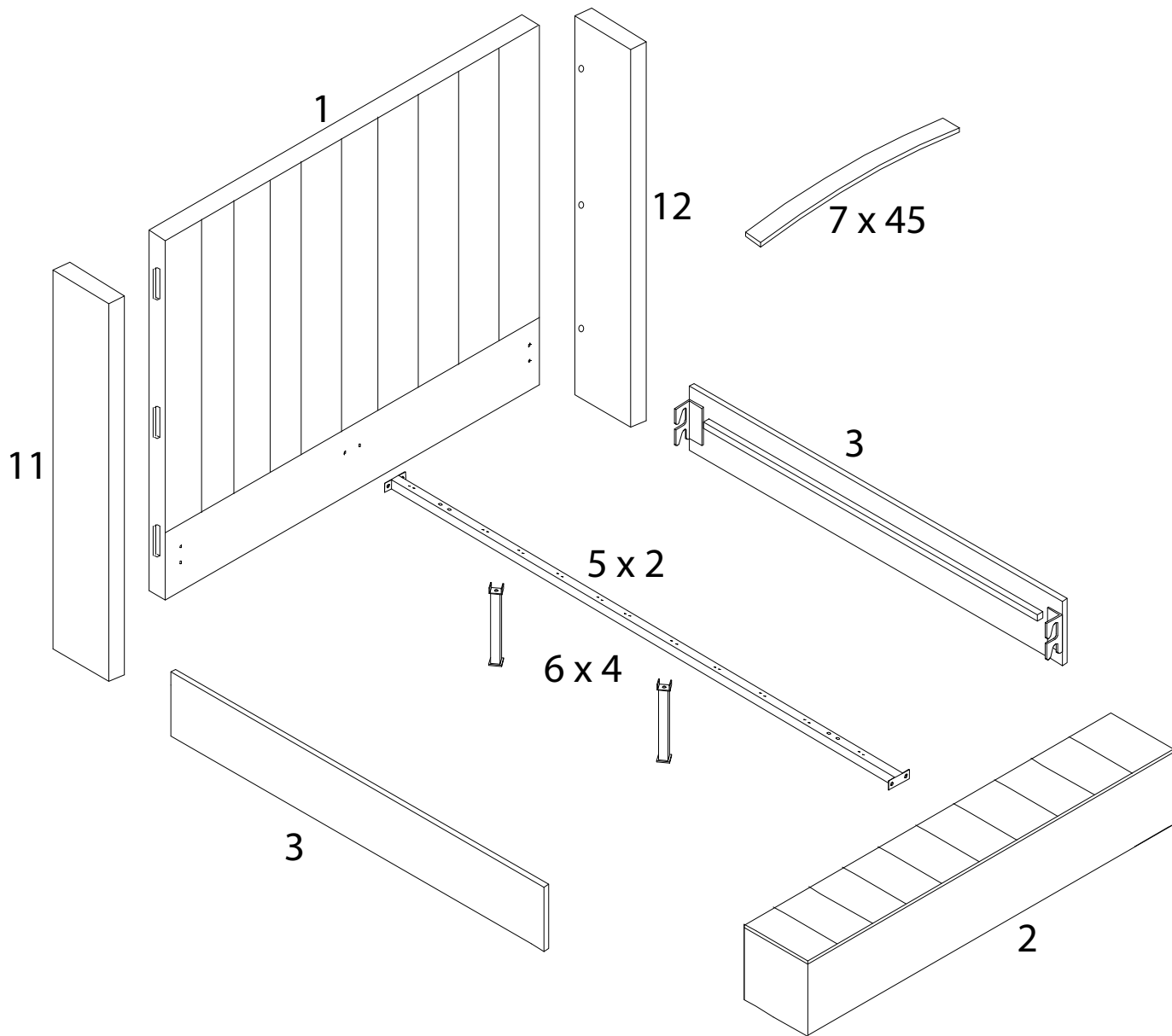
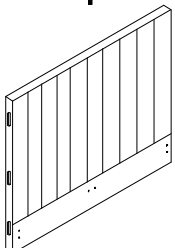
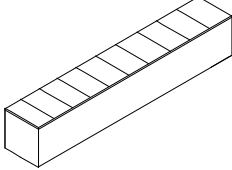
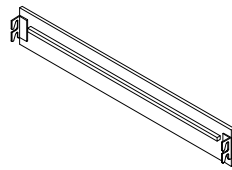
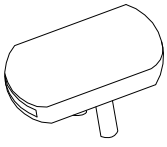
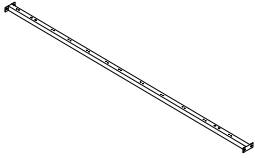

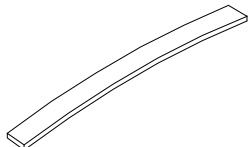
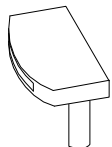
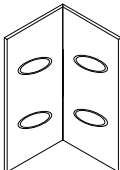
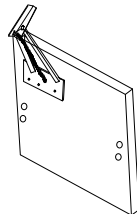

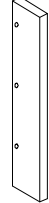
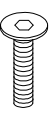

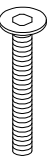
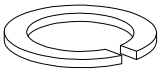
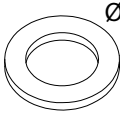

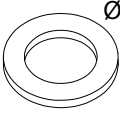
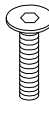




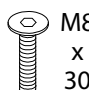

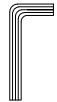
Diagram illustrating assembly steps and safety warnings:

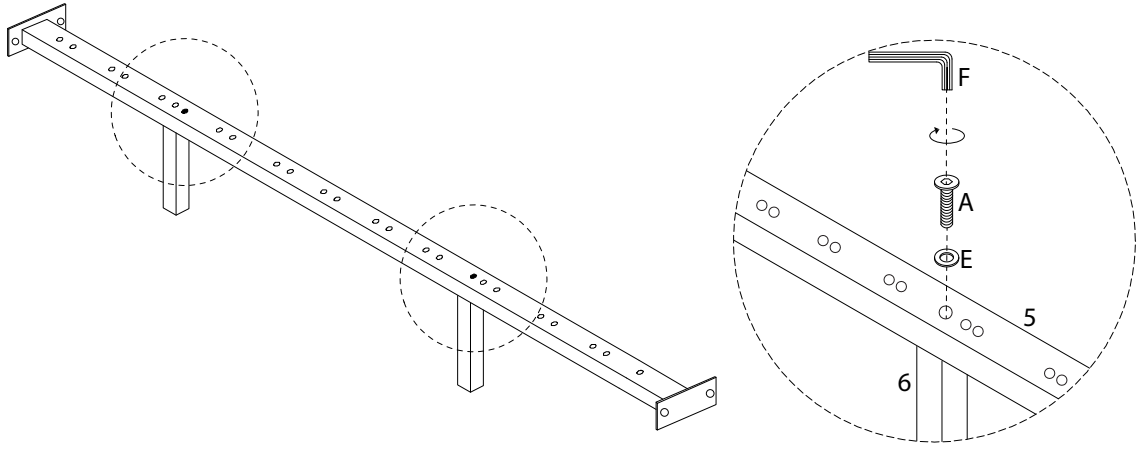
- Step 1:** Shows an L-shaped metal bracket being inserted into a hole in the frame. A power drill is shown with a diagonal line through it, indicating it should not be used for this step. A warning triangle with an exclamation mark is positioned above this step.
- Step 2:** Shows a rectangular block being placed on a surface. A diagonal line through the block indicates it should not be used. A warning triangle with an exclamation mark is positioned above this step.
- Time:** A clock icon is shown next to the text "40'", indicating the estimated assembly time.
- Personnel:** A person icon is shown next to the number "2", indicating that two people are required for assembly.




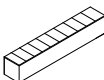
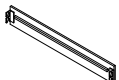
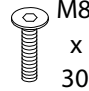

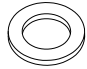
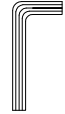
<p>1</p>  <p>x 1</p>	<p>2</p>  <p>x 1</p>	<p>3</p>  <p>x 2</p>	<p>4</p>  <p>x 30</p>
<p>5</p>  <p>x 2</p>	<p>6</p>  <p>x 4</p>	<p>7</p>  <p>x 45</p>	<p>8</p>  <p>x 30</p>
<p>9</p>  <p>x 2</p>	<p>10</p>  <p>x 1</p>	<p>11</p>  <p>x 1</p>	<p>12</p>  <p>x 1</p>
<p>A</p>  <p>M8 x 30</p> <p>x 12</p>	<p>B</p>  <p>M8 x 20</p> <p>x 10</p>	<p>C</p>  <p>M8 x 75</p> <p>x 6</p>	<p>D</p>  <p>x 8</p>
<p>E</p>  <p>Ø20</p> <p>x 22</p>	<p>F</p>  <p>x 1</p>	<p>G</p>  <p>Ø22</p> <p>x 6</p>	<p>H</p>  <p>M8 x 25</p> <p>x 8</p>

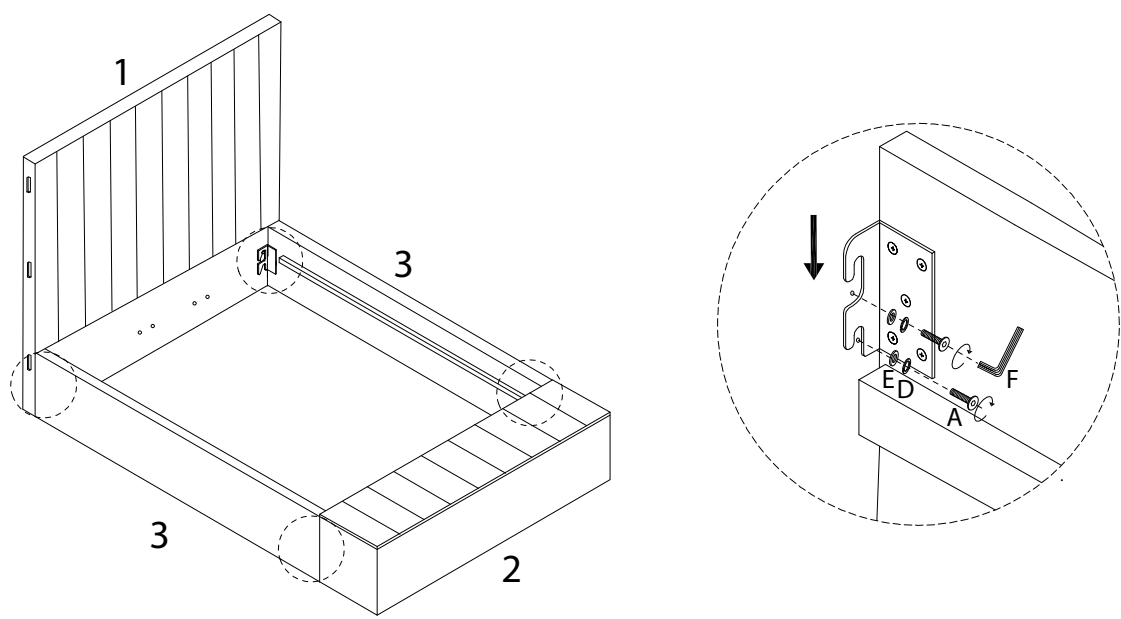
1 x 2

5  x 1	6  x 2	A  M8 x 30 x 2	E  Ø20 x 2	F  x 1
--	--	--	---	--

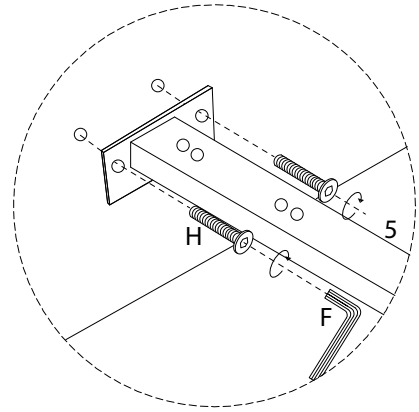
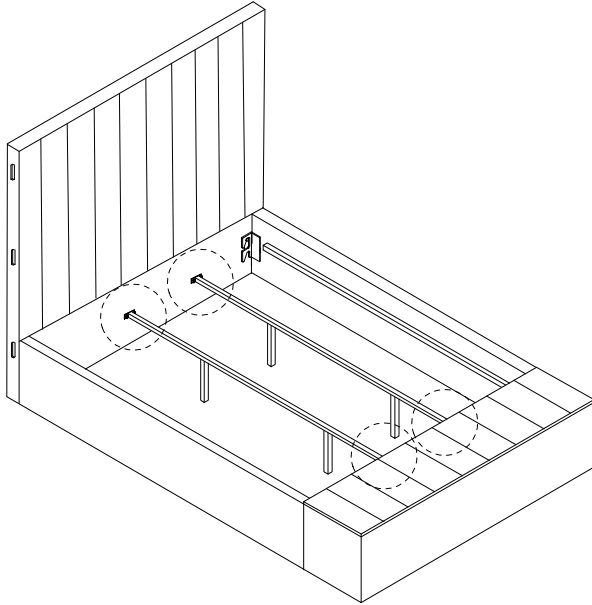
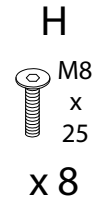
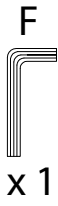


2

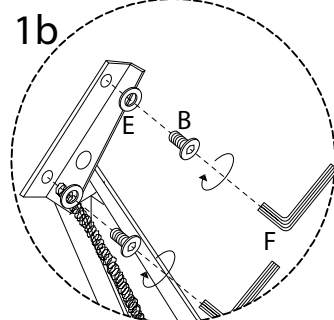
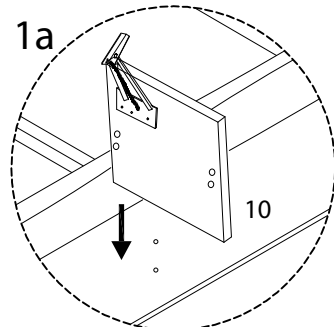
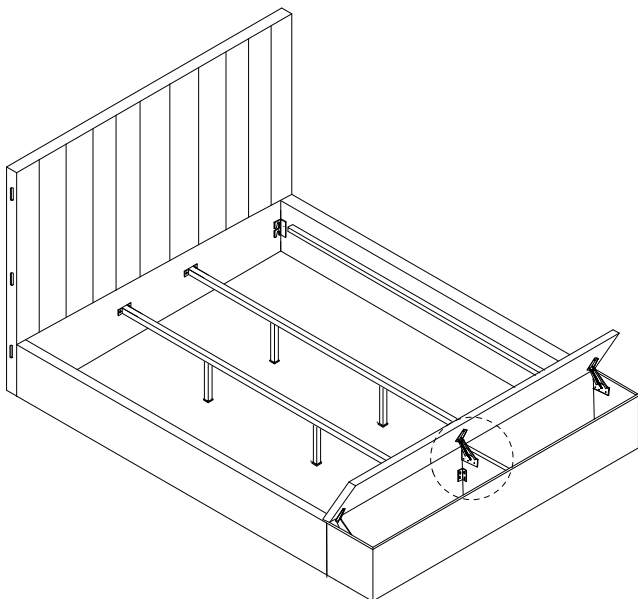
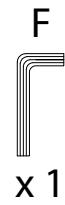
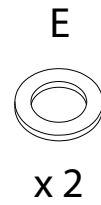
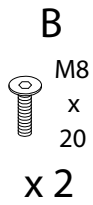
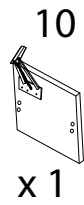
1  x 1	2  x 1	3  x 2	A  M8 x 30 x 8	D  x 8	E  x 8	F  x 1
--	--	--	--	---	--	--



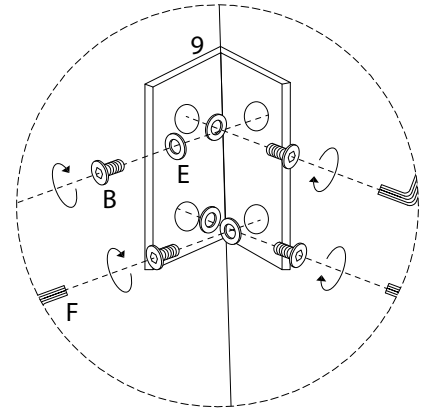
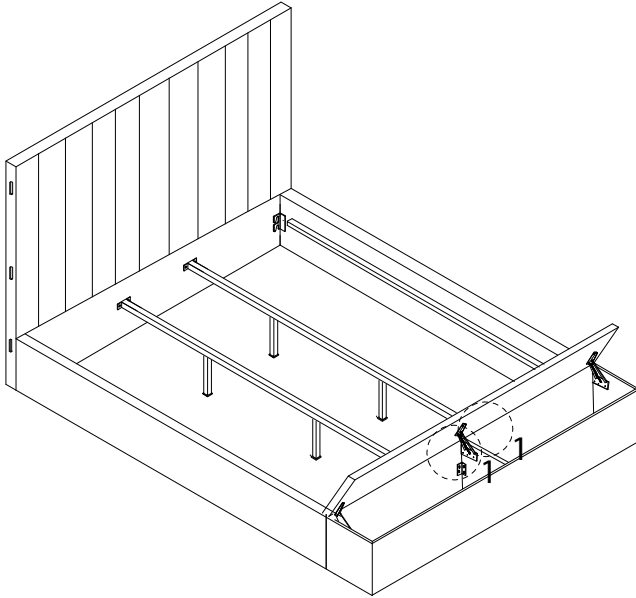
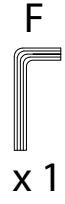
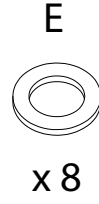
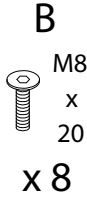
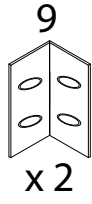
3



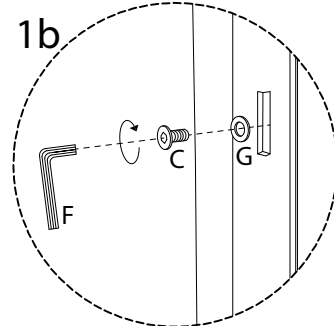
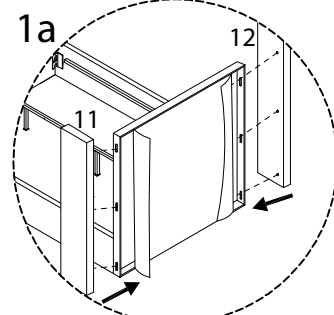
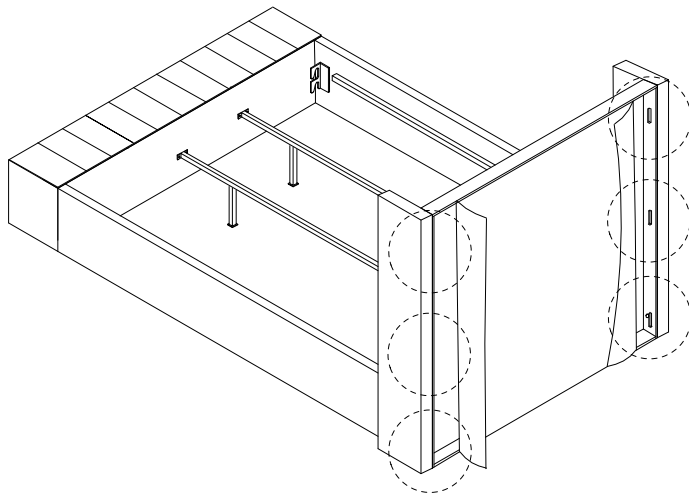
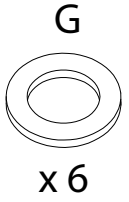
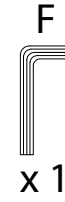
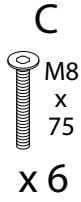
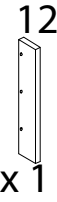
4



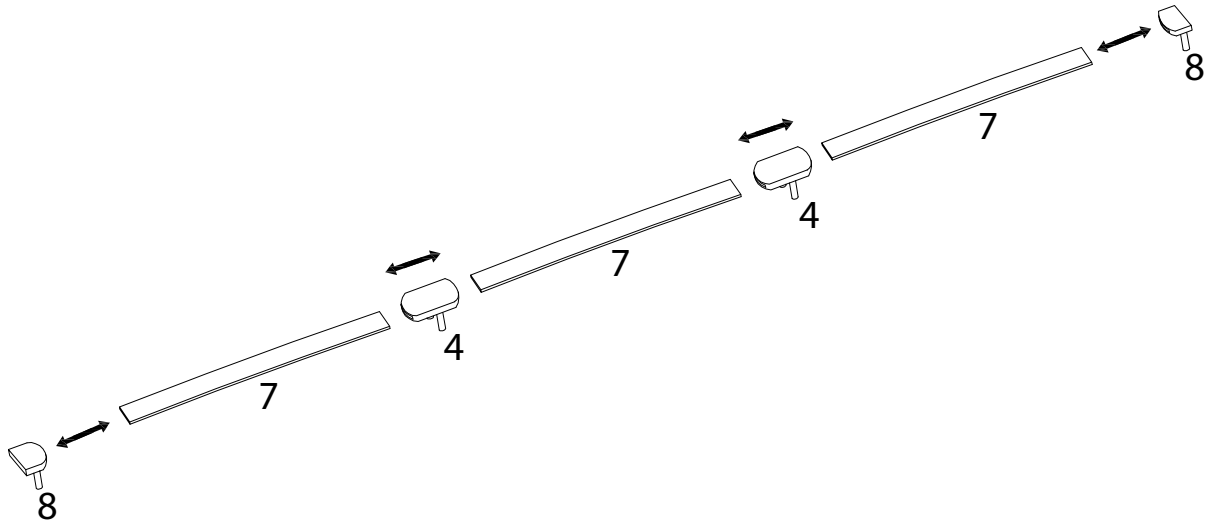
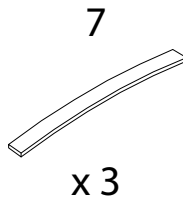
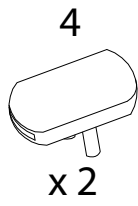
5



6



7 x 15



8 x 15

