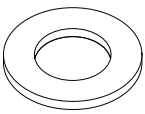
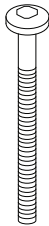
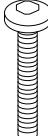
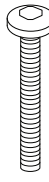

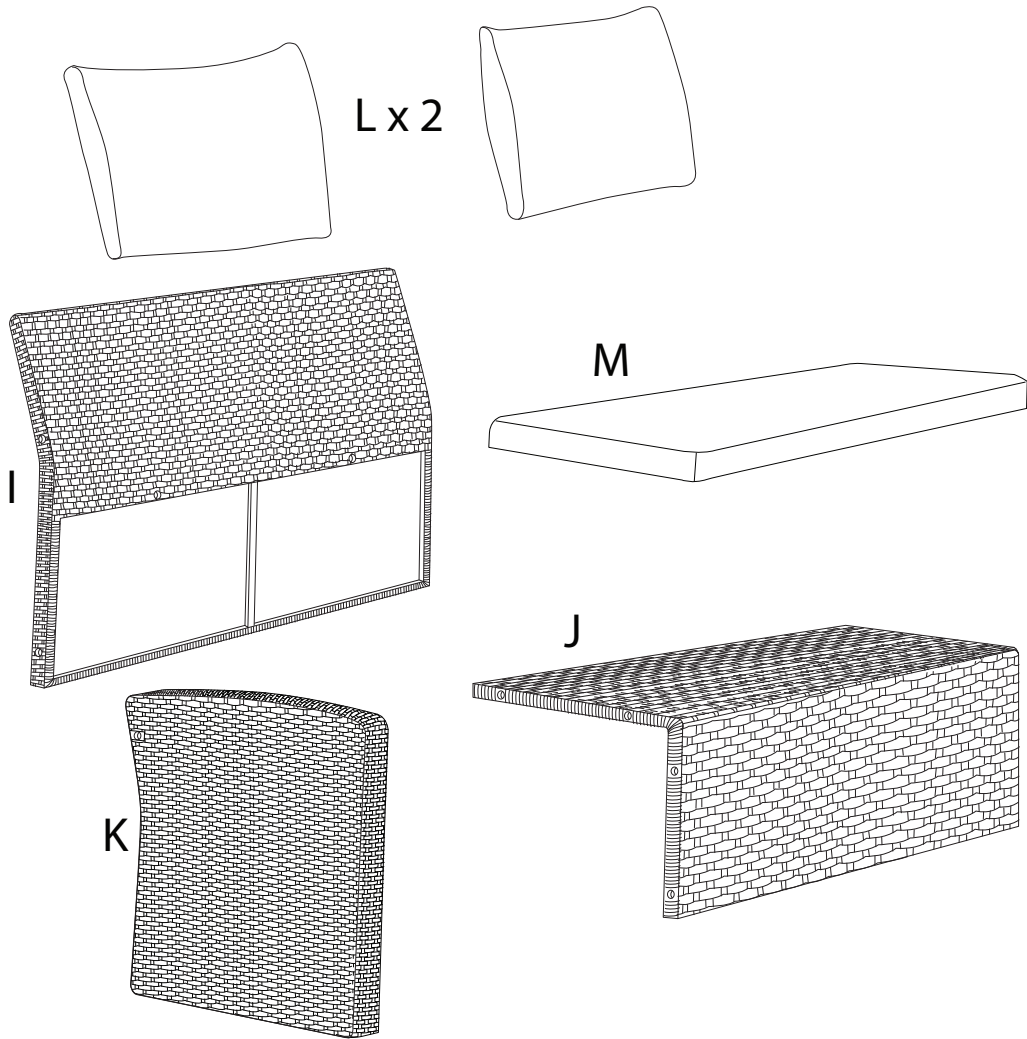
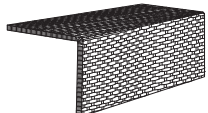
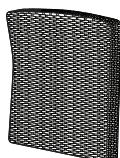
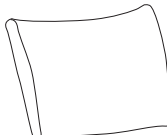
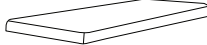
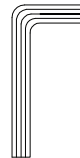


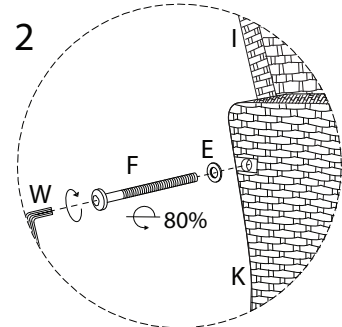
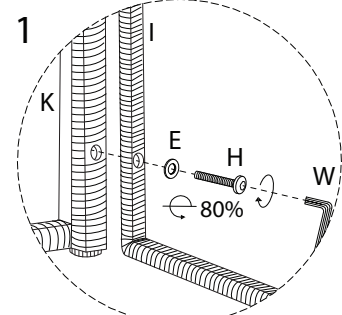
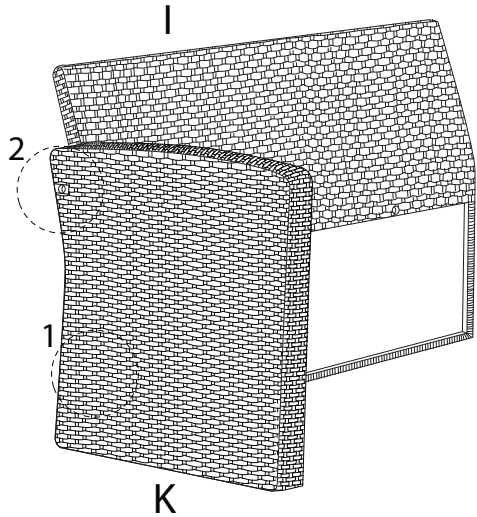
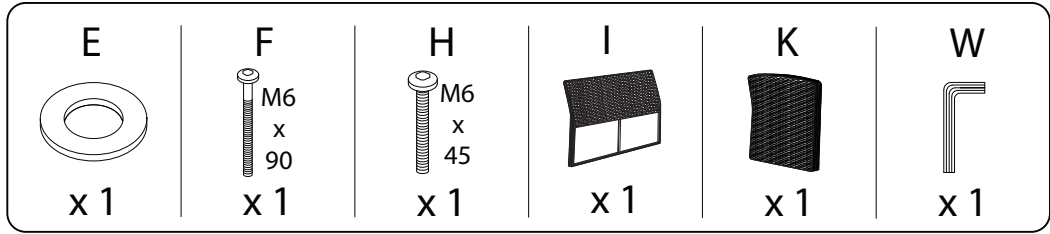
# A

<p><b>E</b></p>  <p><b>x 8</b></p>	<p><b>F</b></p>  <p>M6 x 90</p> <p><b>x 1</b></p>	<p><b>G</b></p>  <p>M6 x 35</p> <p><b>x 4</b></p>	<p><b>H</b></p>  <p>M6 x 45</p> <p><b>x 3</b></p>	<p><b>I</b></p>  <p><b>x 1</b></p>
---------------------------------------------------------------------------------------------------------------------	--------------------------------------------------------------------------------------------------------------------------------------------	--------------------------------------------------------------------------------------------------------------------------------------------	----------------------------------------------------------------------------------------------------------------------------------------------	-----------------------------------------------------------------------------------------------------------------------

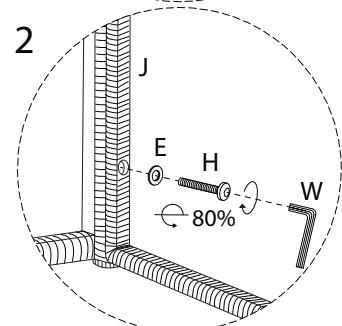
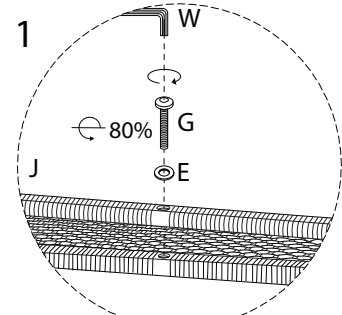
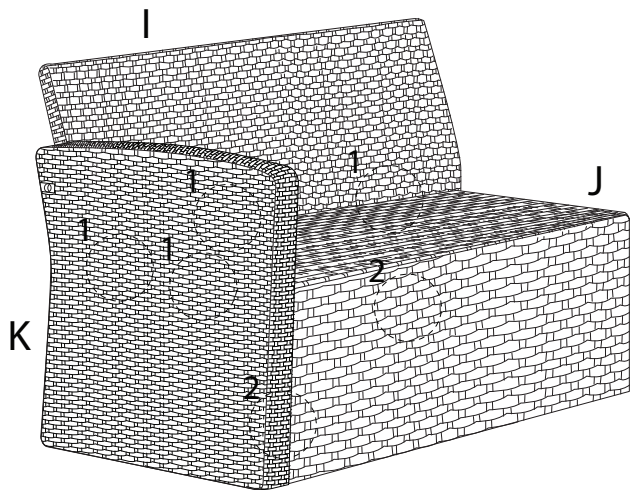
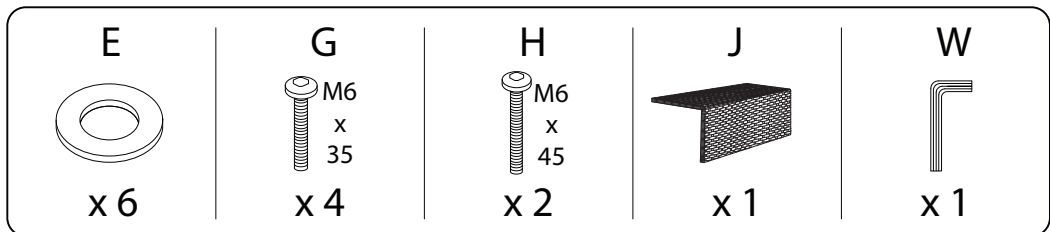


<p><b>J</b></p>  <p><b>x 1</b></p>	<p><b>K</b></p>  <p><b>x 1</b></p>	<p><b>L</b></p>  <p><b>x 2</b></p>	<p><b>M</b></p>  <p><b>x 1</b></p>	<p><b>W</b></p>  <p><b>x 1</b></p>
-----------------------------------------------------------------------------------------------------------------------	-----------------------------------------------------------------------------------------------------------------------	-----------------------------------------------------------------------------------------------------------------------	------------------------------------------------------------------------------------------------------------------------	-------------------------------------------------------------------------------------------------------------------------

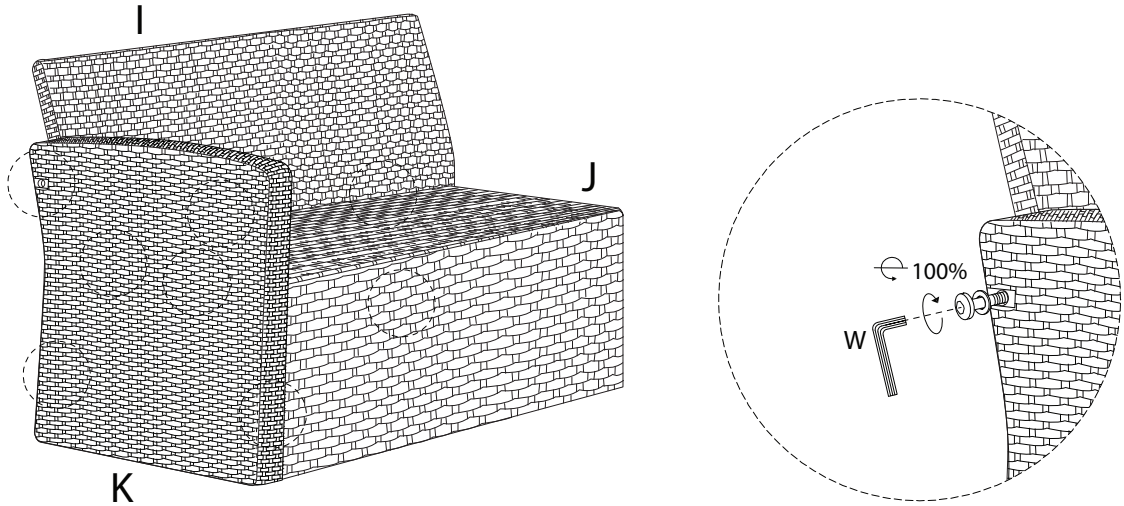
1



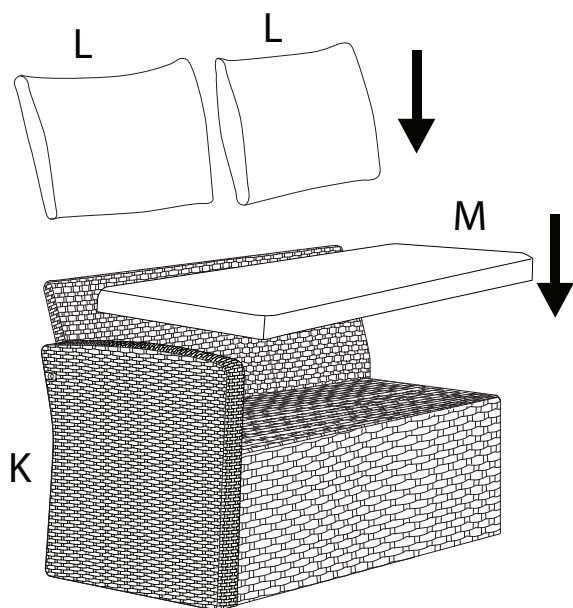
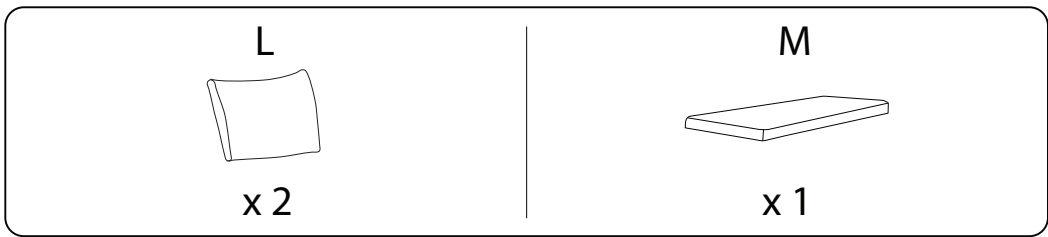
2



3

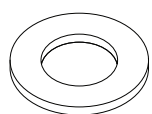
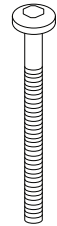
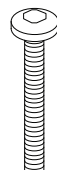
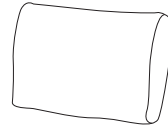




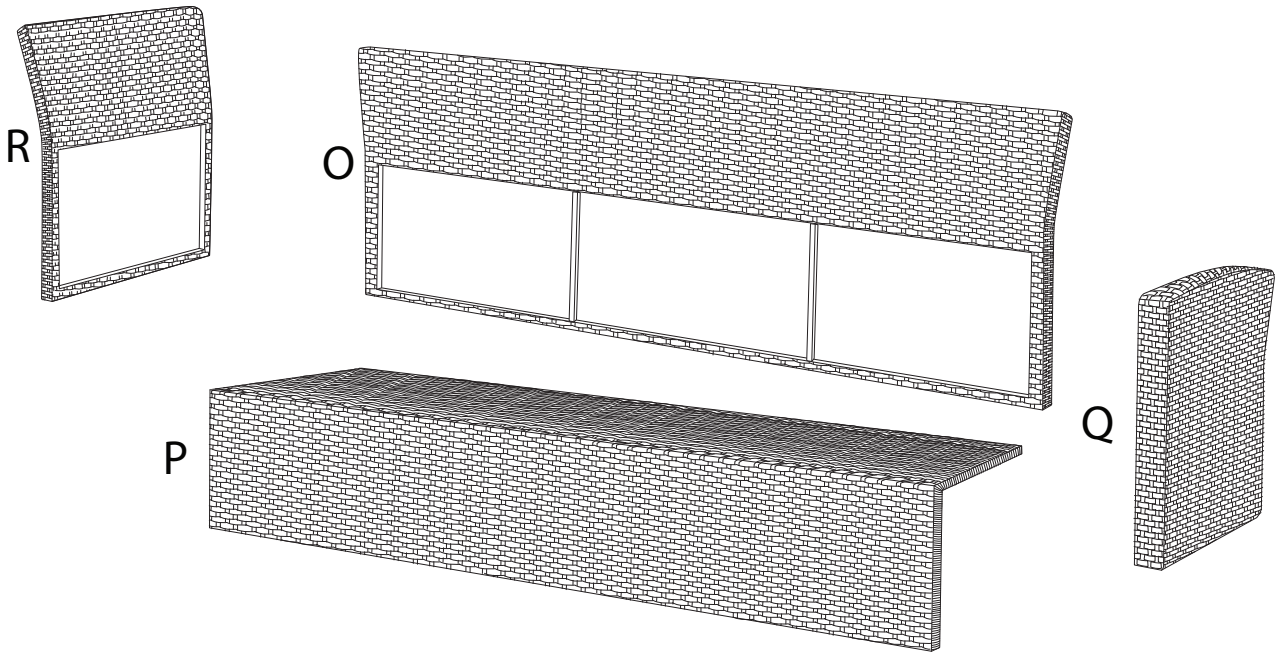
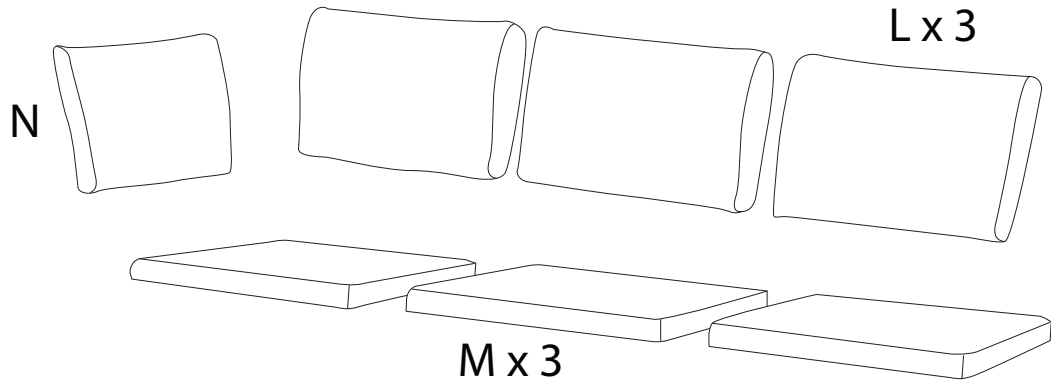
4




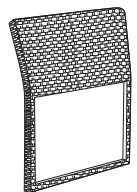
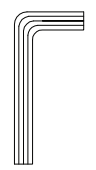
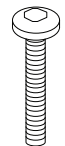




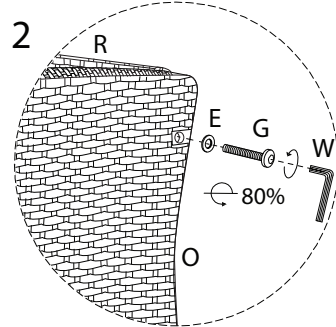
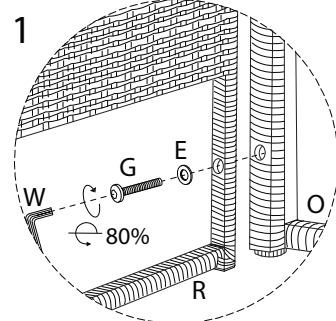
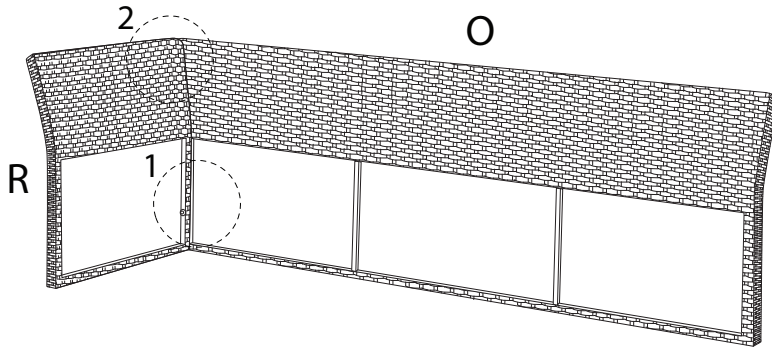
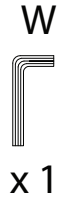
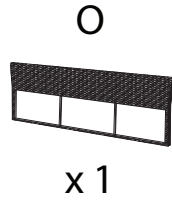
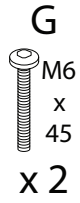
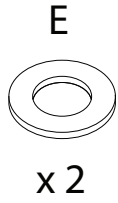
# B

<p><b>E</b></p>  <p>x 15</p>	<p><b>F</b></p>  <p>M6 x 90</p> <p>x 1</p>	<p><b>G</b></p>  <p>M6 x 45</p> <p>x 10</p>	<p><b>L</b></p>  <p>x 3</p>	<p><b>M</b></p>  <p>x 3</p>	<p><b>N</b></p>  <p>x 1</p>
---------------------------------------------------------------------------------------------------------------	-------------------------------------------------------------------------------------------------------------------------------------	--------------------------------------------------------------------------------------------------------------------------------------	--------------------------------------------------------------------------------------------------------------	----------------------------------------------------------------------------------------------------------------	----------------------------------------------------------------------------------------------------------------

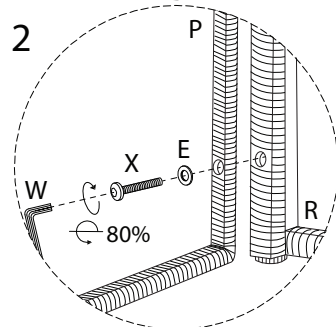
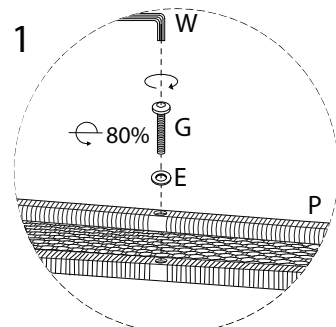
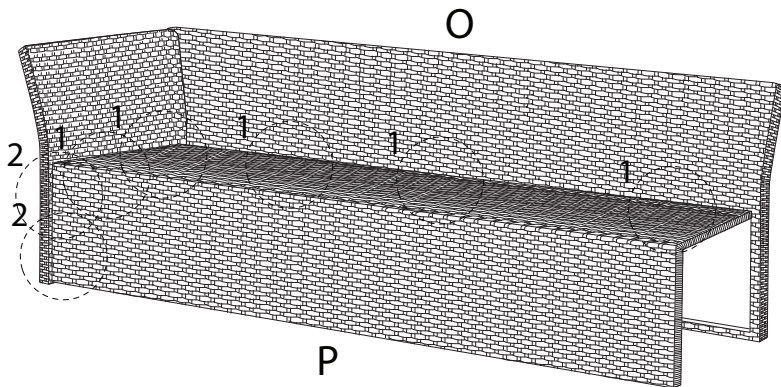
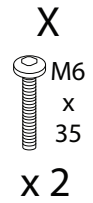
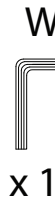
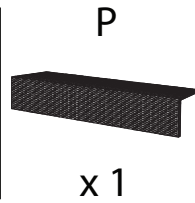
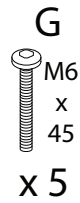
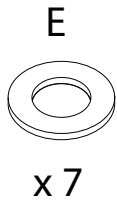


<p><b>O</b></p>  <p>x 1</p>	<p><b>P</b></p>  <p>x 1</p>	<p><b>Q</b></p>  <p>x 1</p>	<p><b>R</b></p>  <p>x 1</p>	<p><b>W</b></p>  <p>x 1</p>	<p><b>X</b></p>  <p>M6 x 35</p> <p>x 4</p>
----------------------------------------------------------------------------------------------------------------	----------------------------------------------------------------------------------------------------------------	----------------------------------------------------------------------------------------------------------------	----------------------------------------------------------------------------------------------------------------	------------------------------------------------------------------------------------------------------------------	-----------------------------------------------------------------------------------------------------------------------------------------

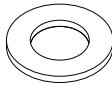
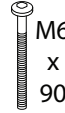
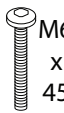

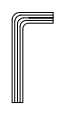

1

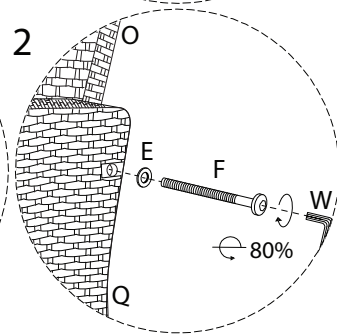
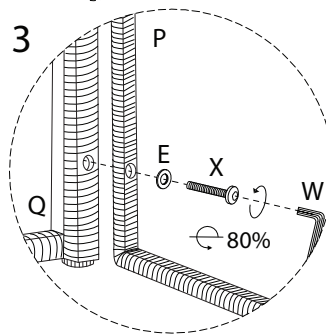
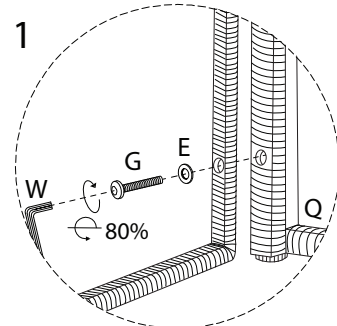
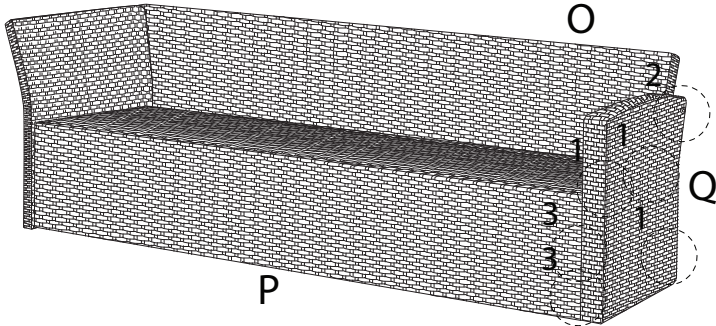


2

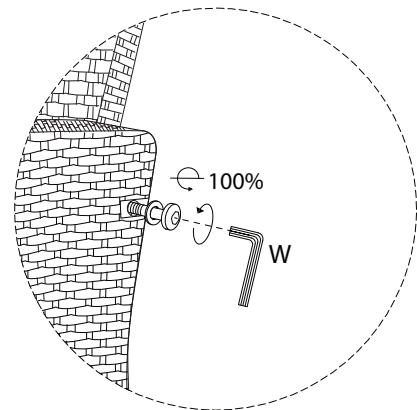
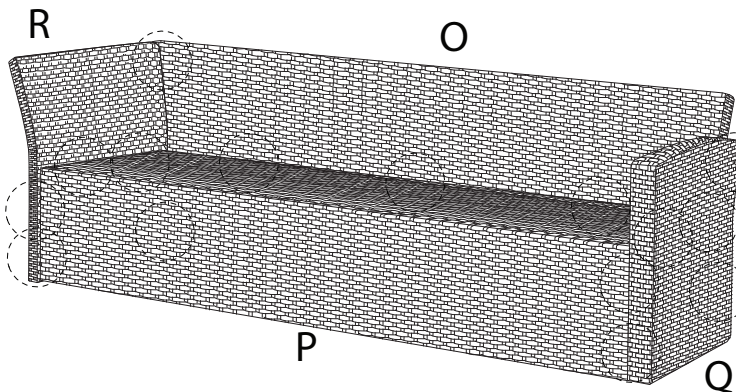


3

<b>E</b>  x 6	<b>F</b>  M6 x 90 x 1	<b>G</b>  M6 x 45 x 3	<b>Q</b>  x 1	<b>W</b>  x 1	<b>X</b>  M6 x 35 x 2
------------------------------------------------------------------------------------------------------	--------------------------------------------------------------------------------------------------------------------	--------------------------------------------------------------------------------------------------------------------	-------------------------------------------------------------------------------------------------------	--------------------------------------------------------------------------------------------------------	----------------------------------------------------------------------------------------------------------------------



4



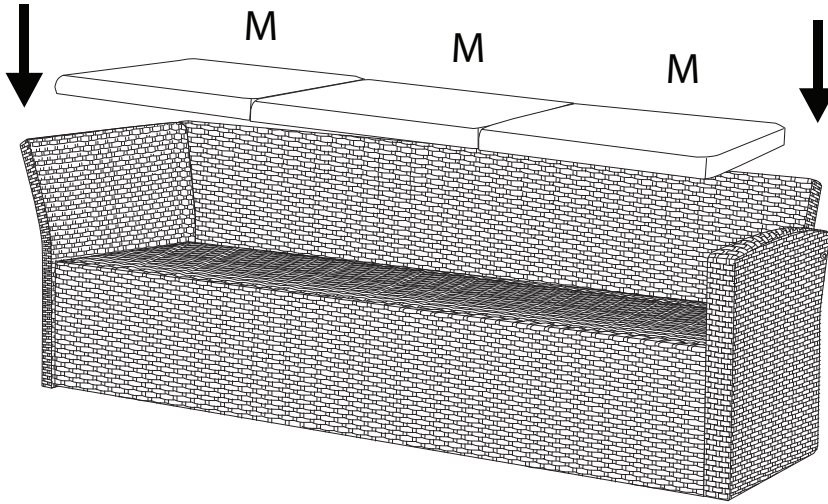


5

M

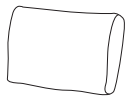


x 3



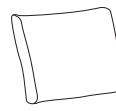
6

L

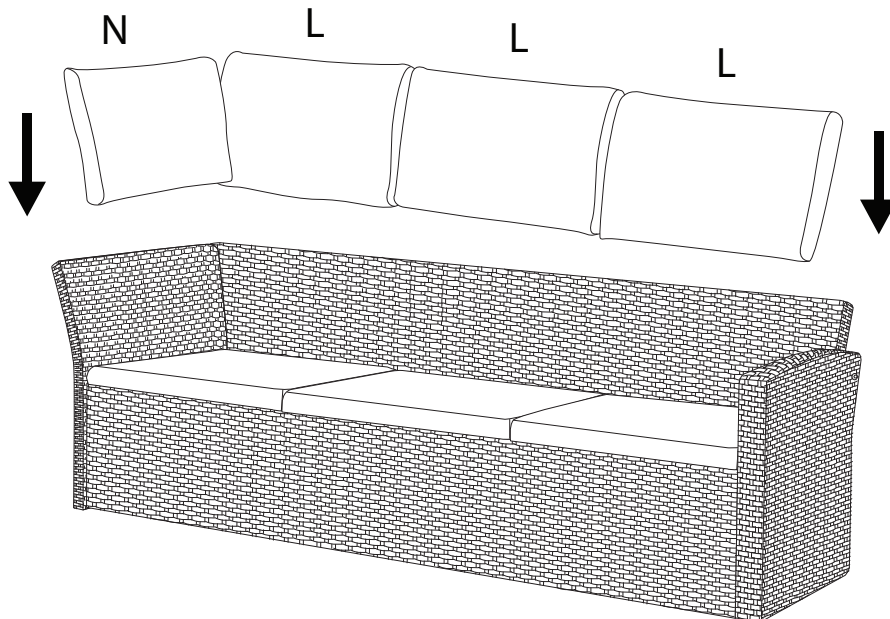


x 3

N



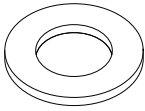
x 1





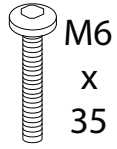
# C x 4

E



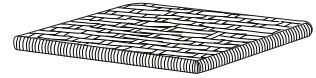
x 12

Q



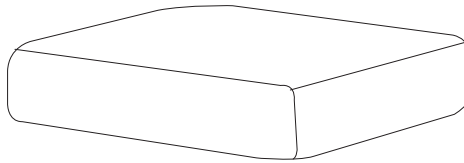
x 12

S

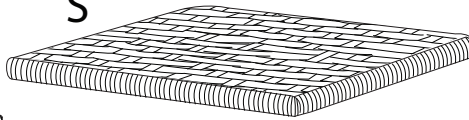


x 1

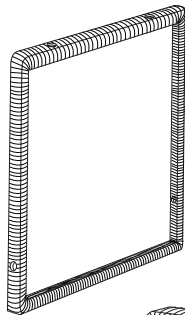
V



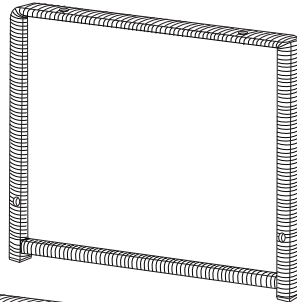
S



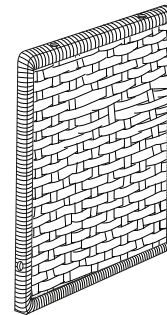
U



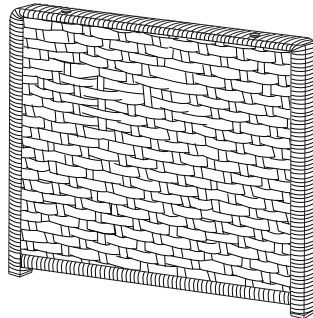
T



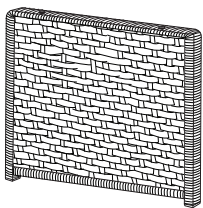
U



T

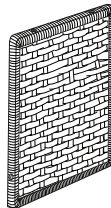


T



x 2

U



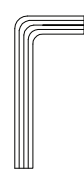
x 2

V



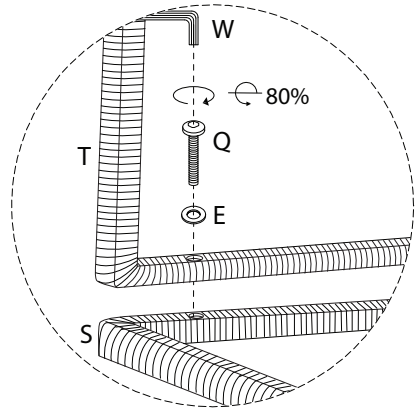
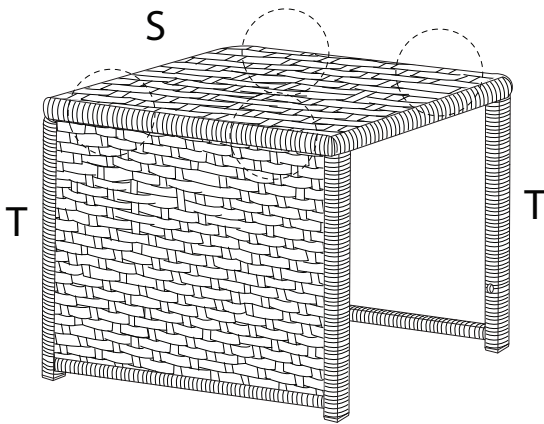
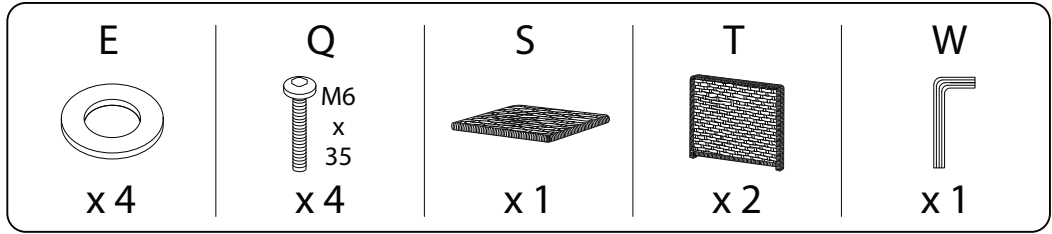
x 1

W

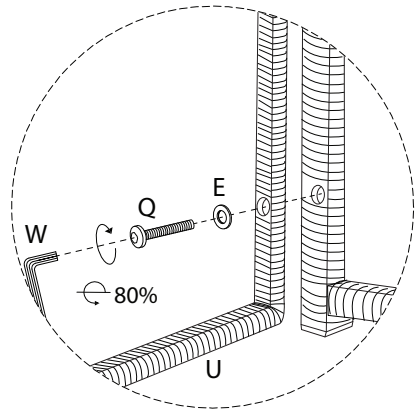
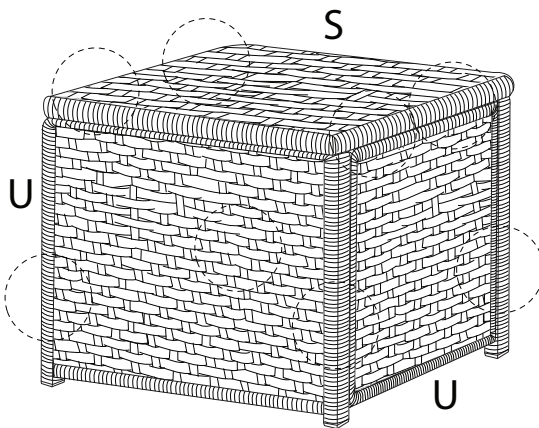
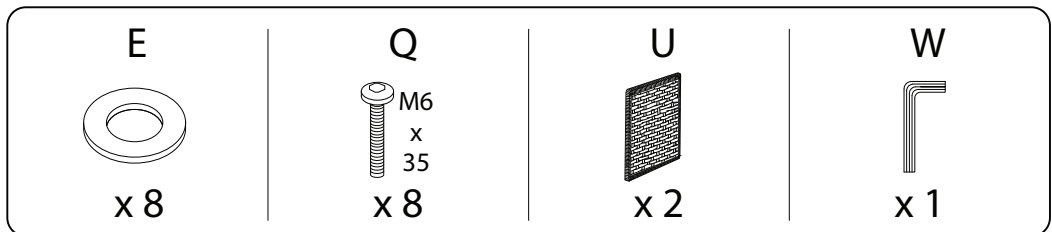


x 1

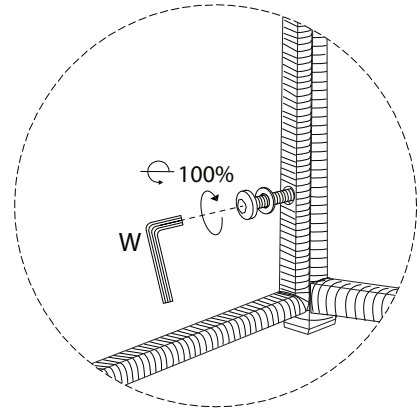
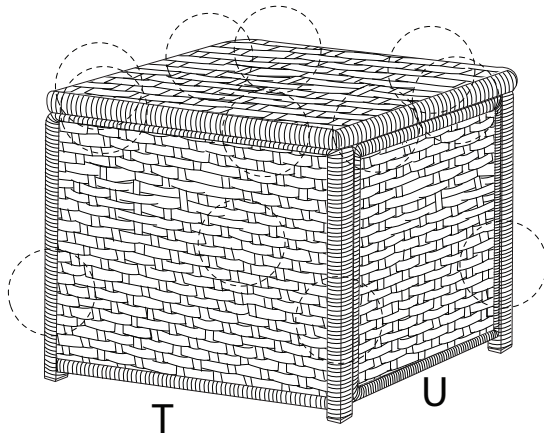
1



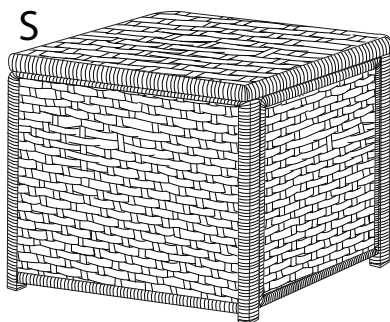
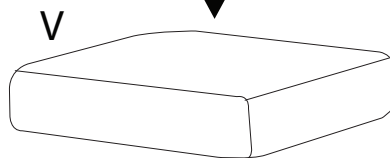
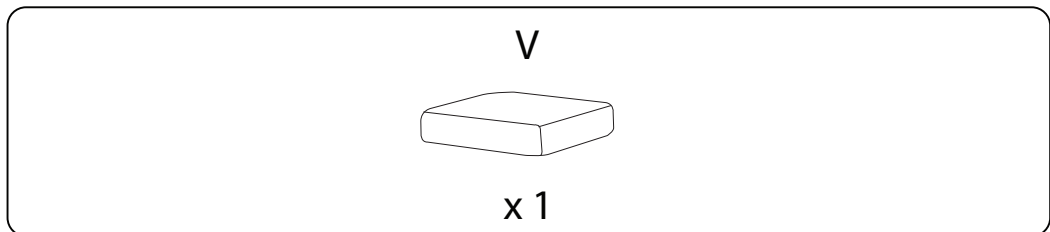
2



3



4



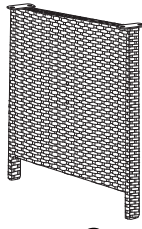
D

A



x 1

B



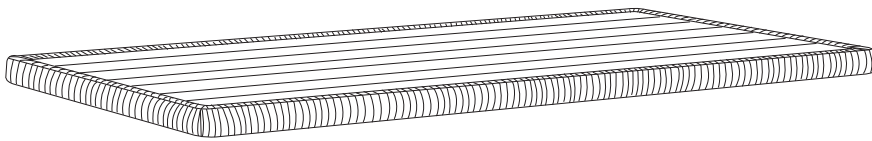
x 2

C



x 1

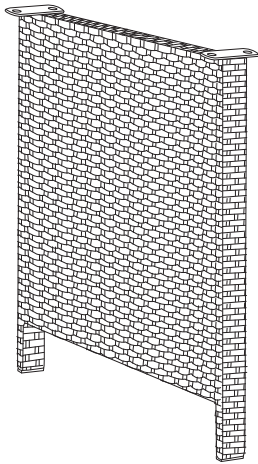
A



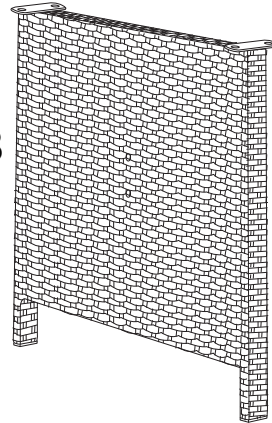
C



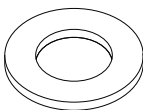
B



B

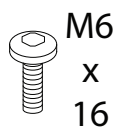


E



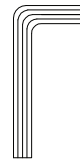
x 12

Q



x 12

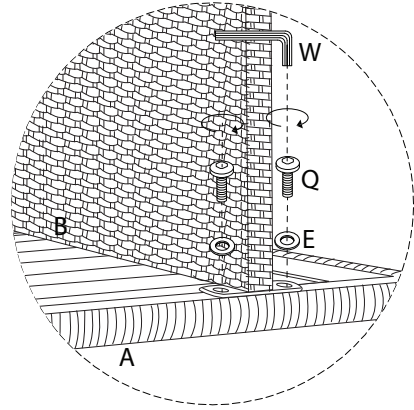
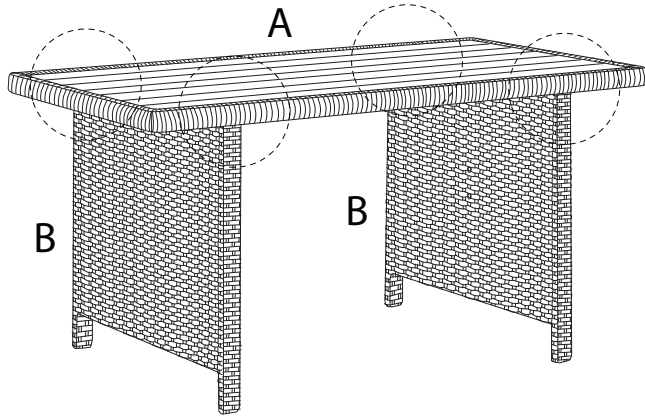
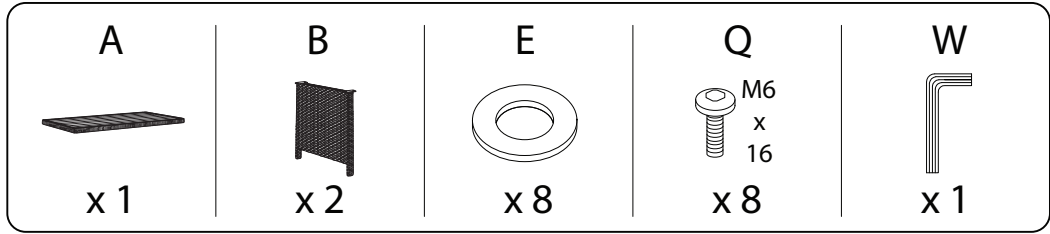
W



x 1



1



2

