

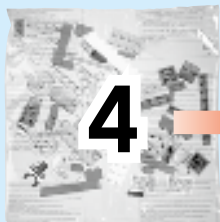
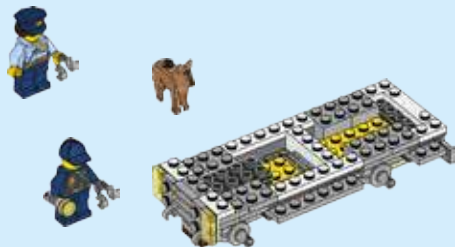
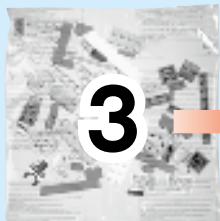


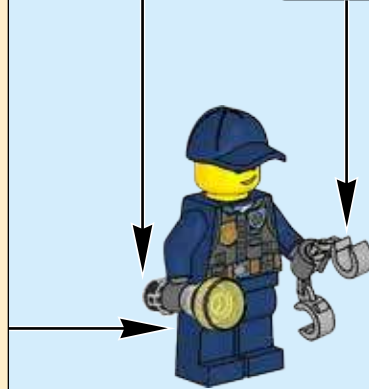
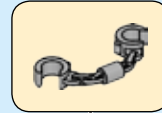
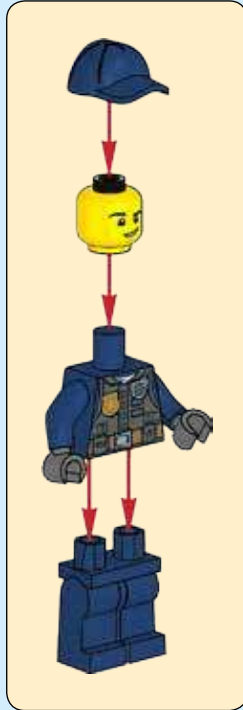
# CITY

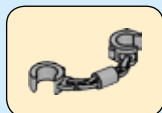
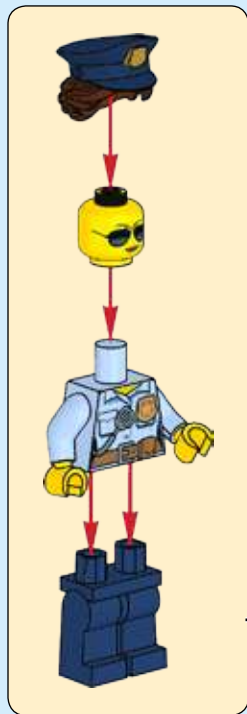


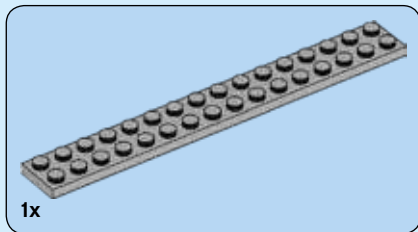
60140





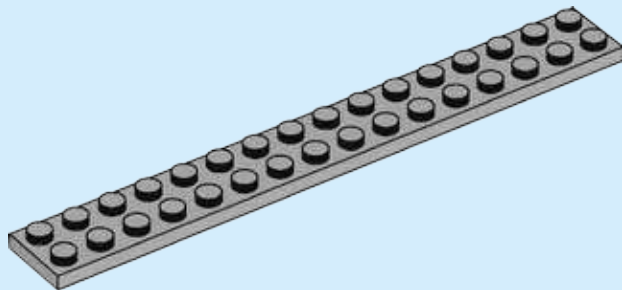


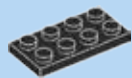




1x

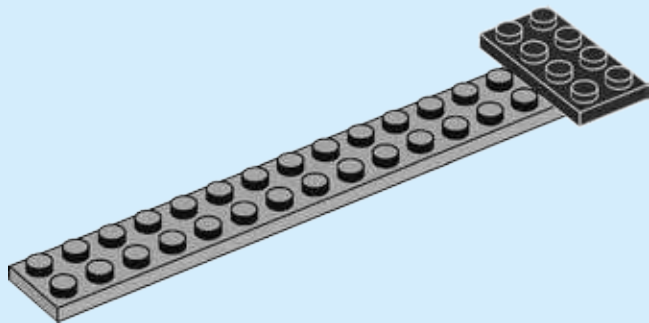
**1**



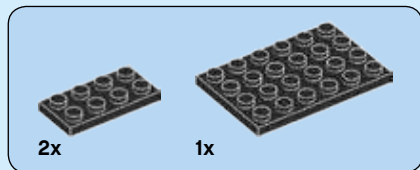


1x

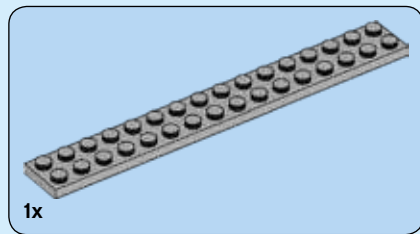
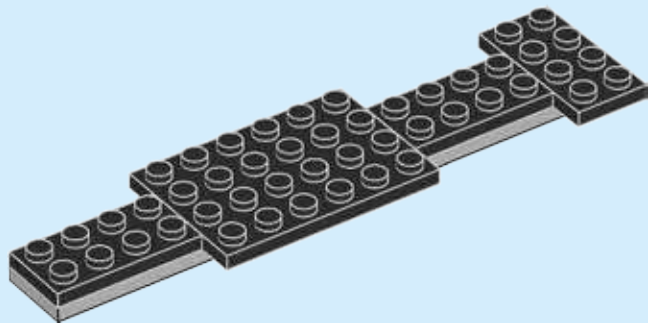
2



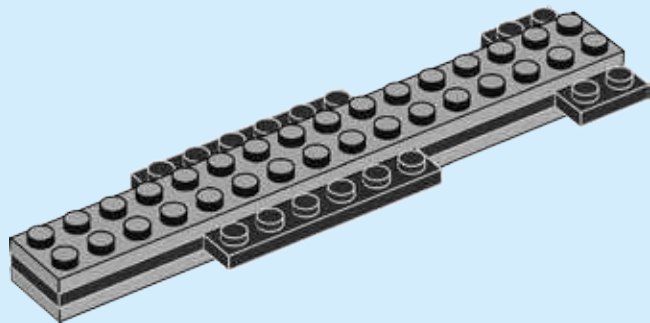
6



3



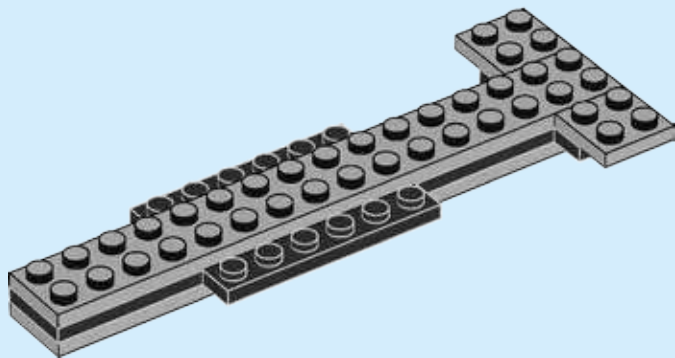
4





2x

5



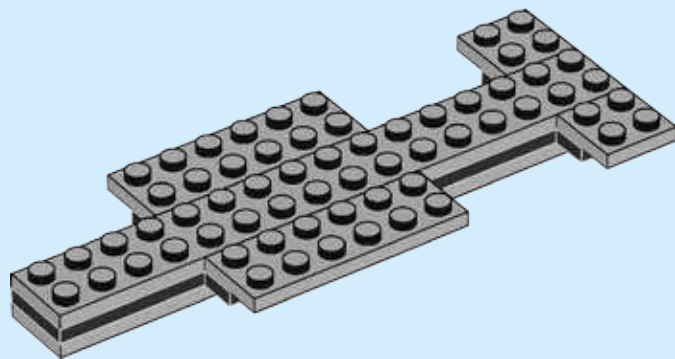
8





2x

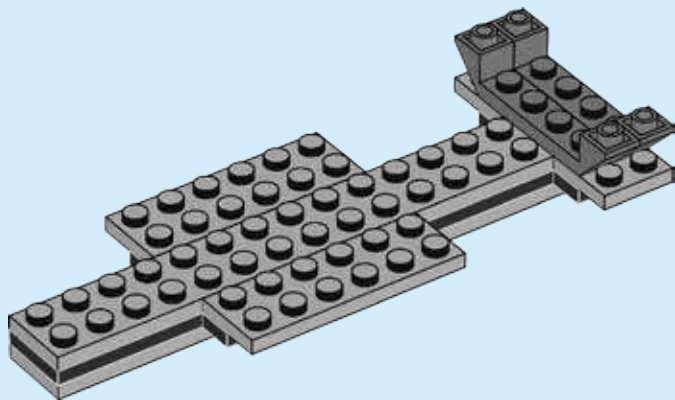
6





2x

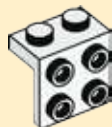
7



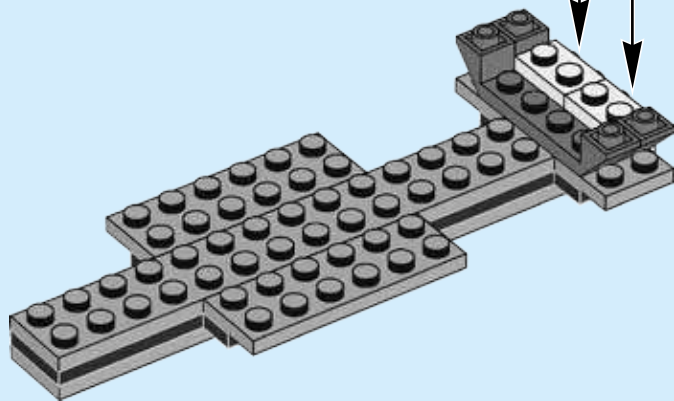


2x

8



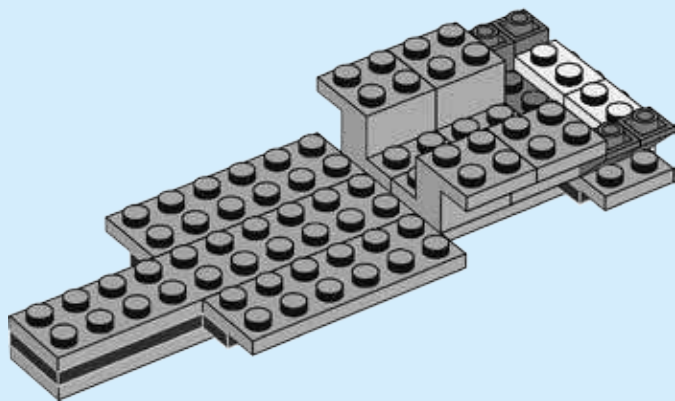
2x

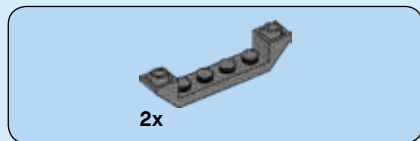




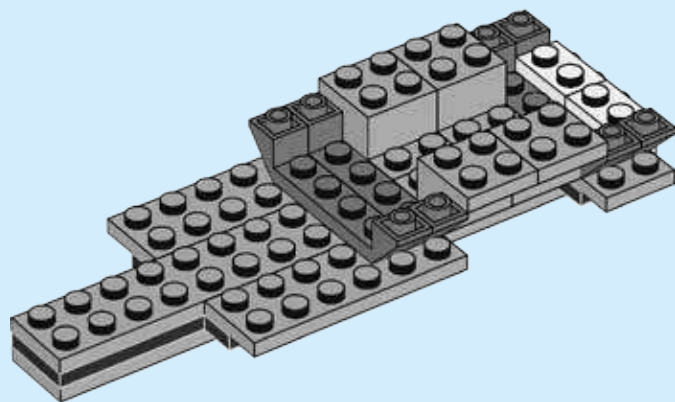
4x

9





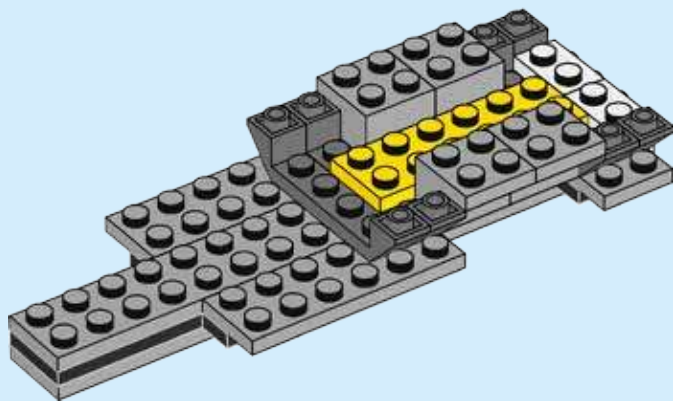
10





1x

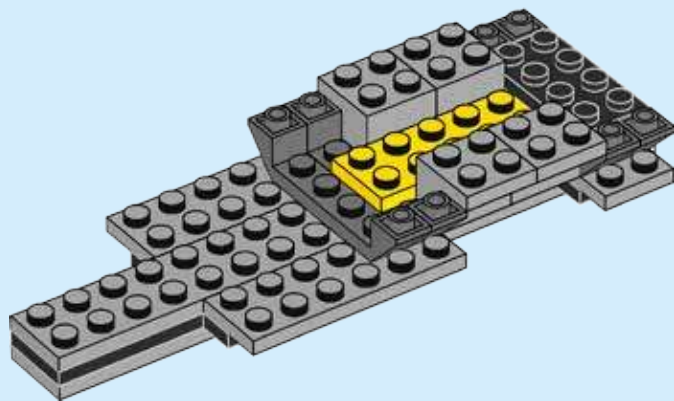
11





1x

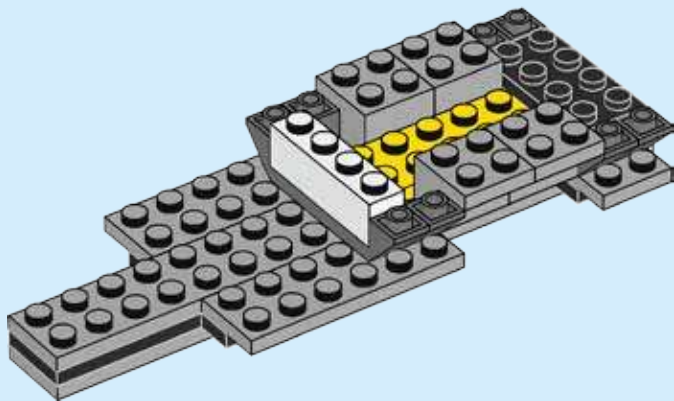
12



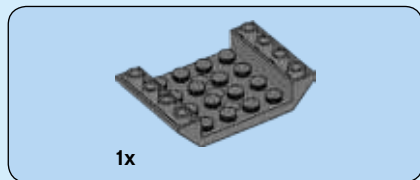


1x

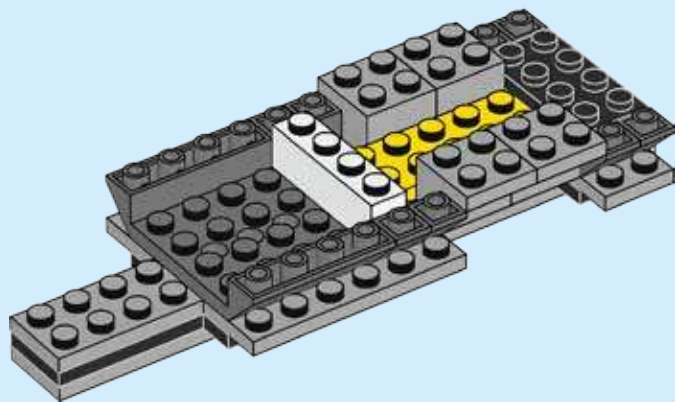
13







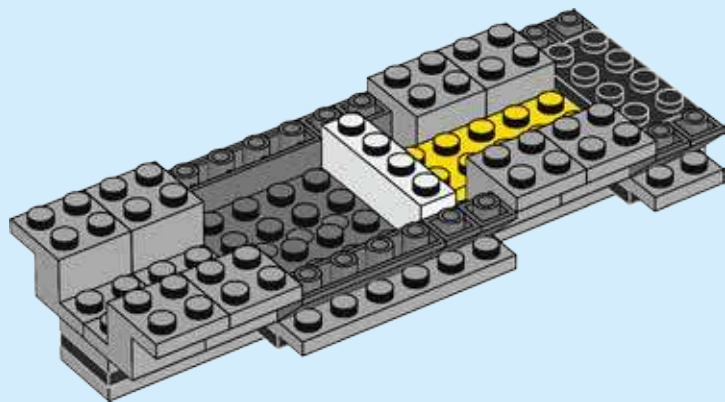
14





4x

15

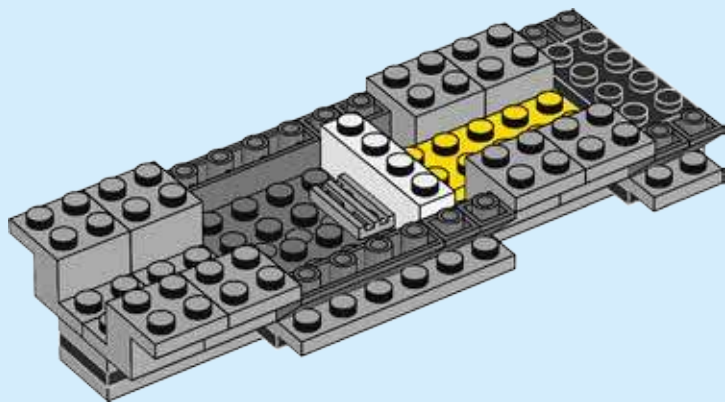


18



1x

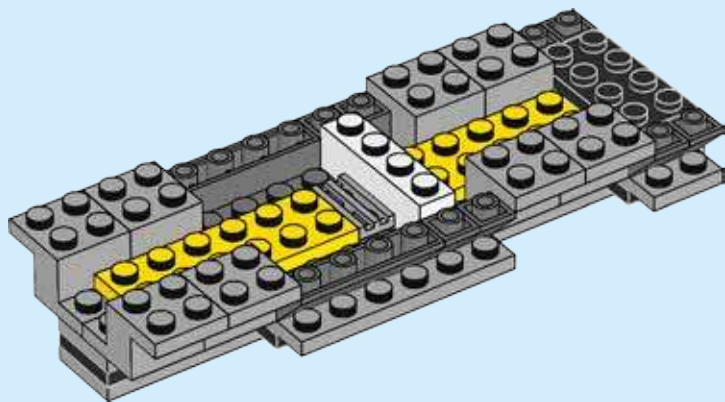
16





1x

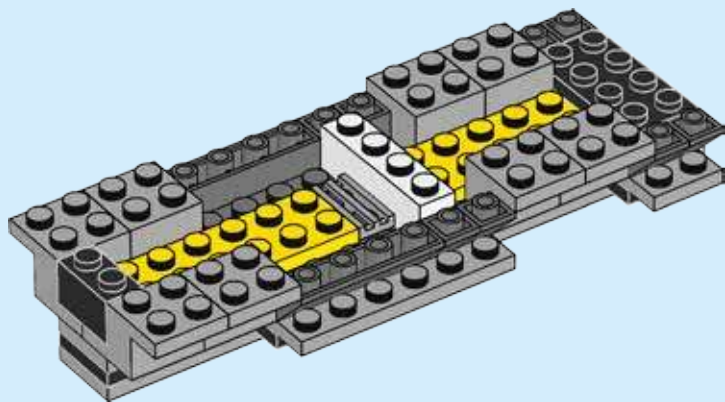
17

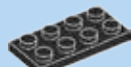




1x

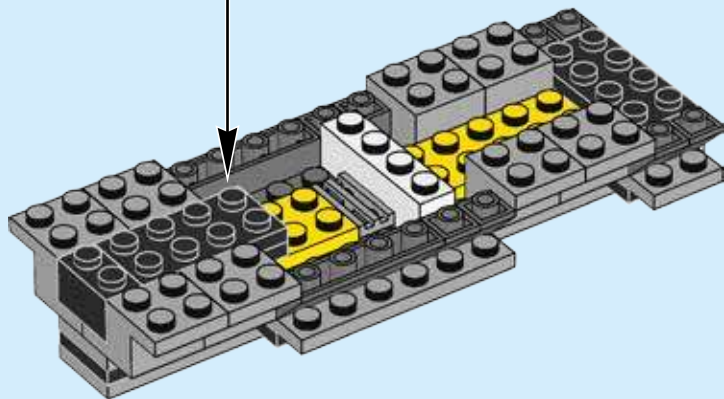
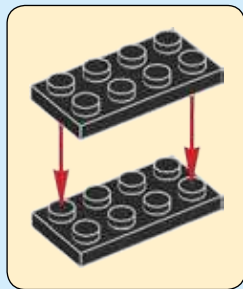
18





2x

19



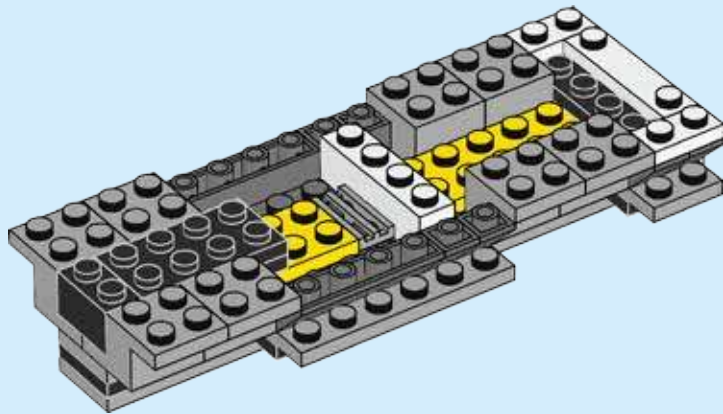


2x



1x

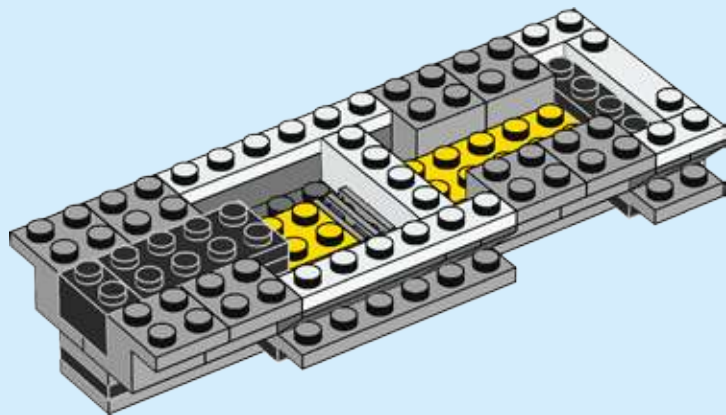
# 20





2x

21



24



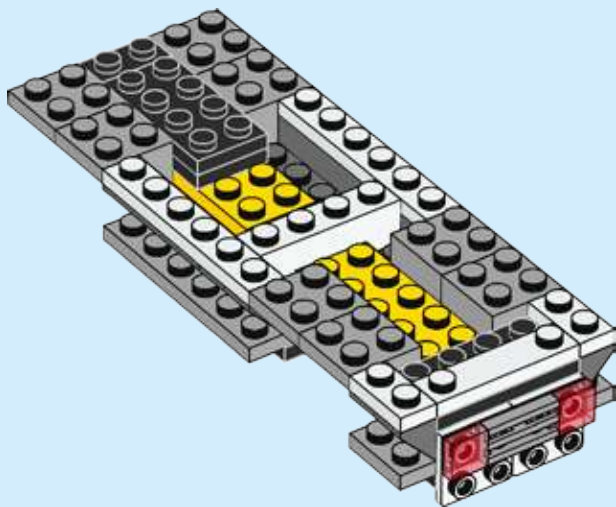


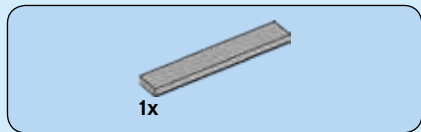
2x



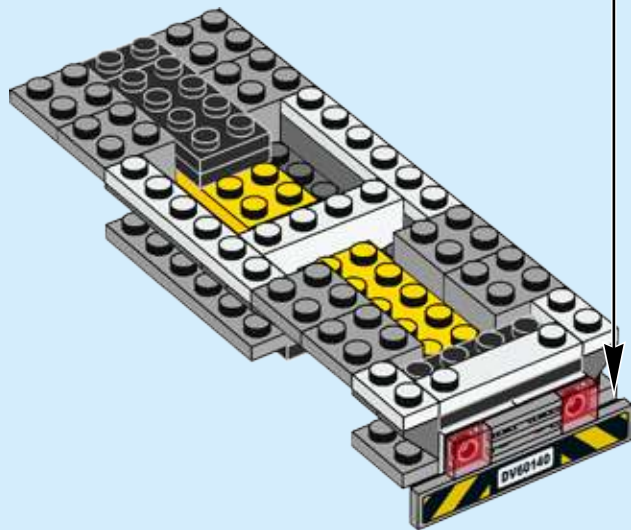
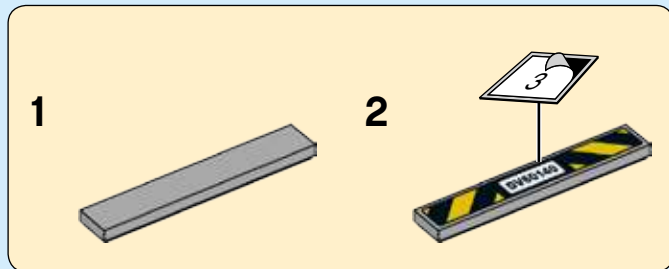
1x

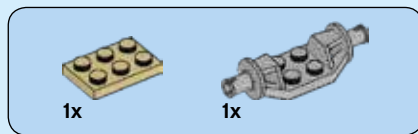
22



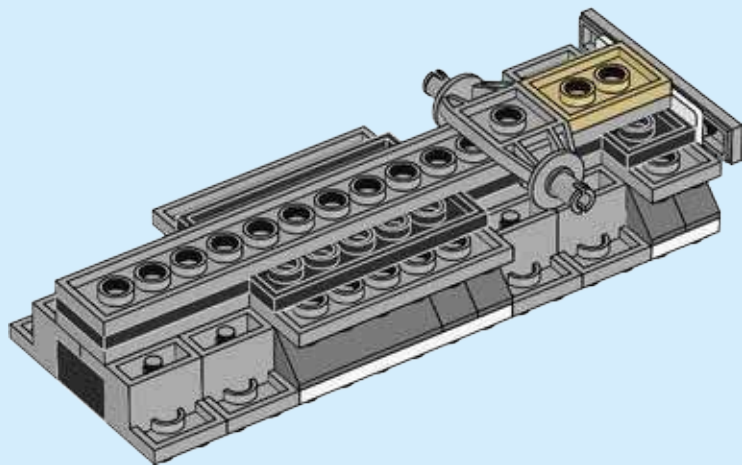
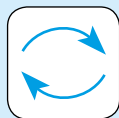


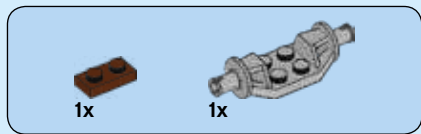
23



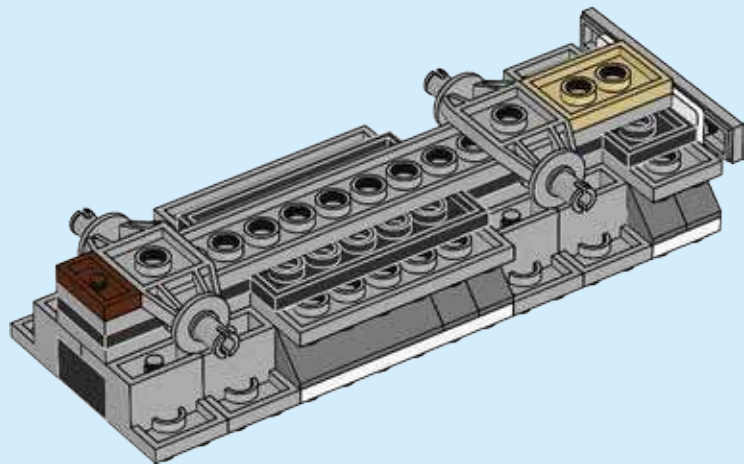


24





25



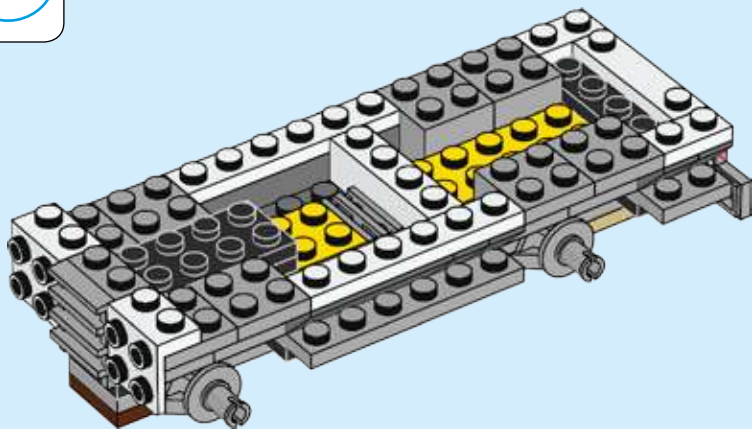
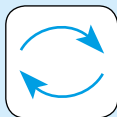


1x



2x

# 26



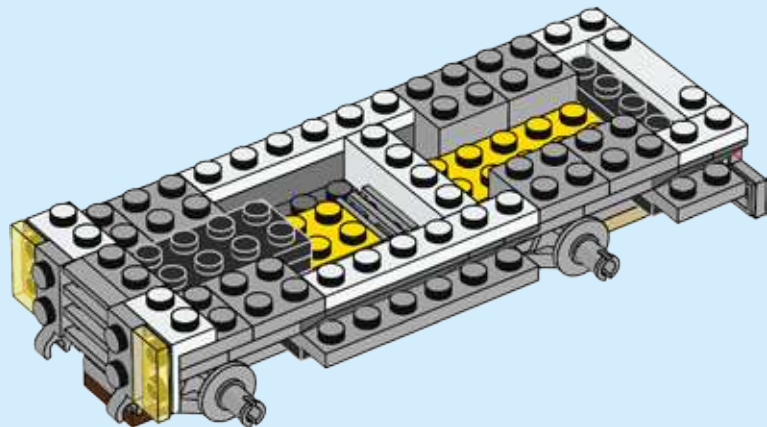


2x



2x

# 27



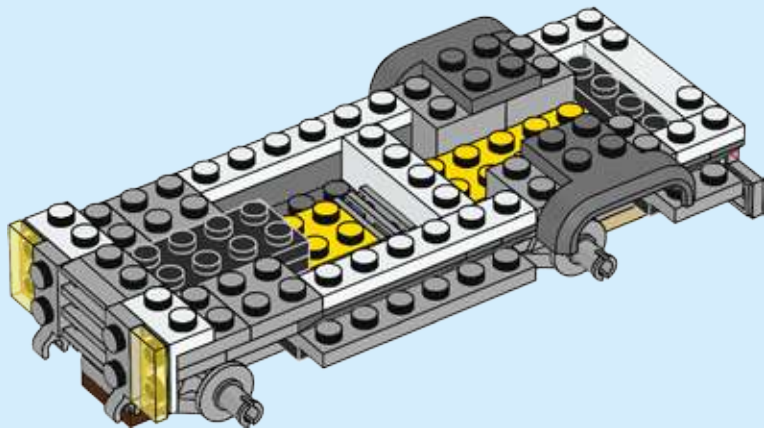


4



2x

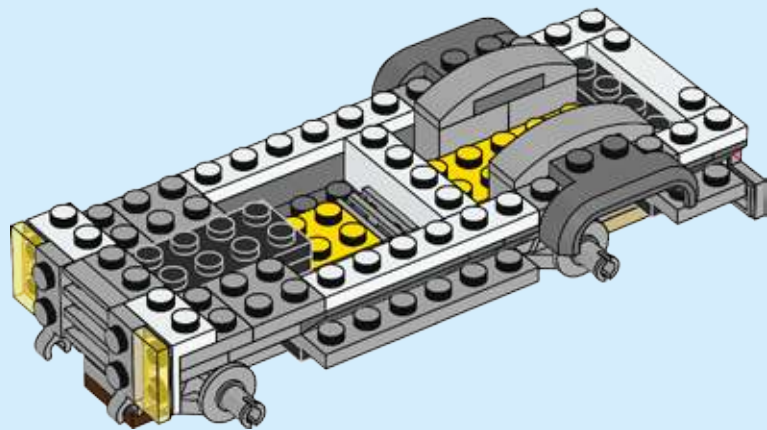
28





2x

29

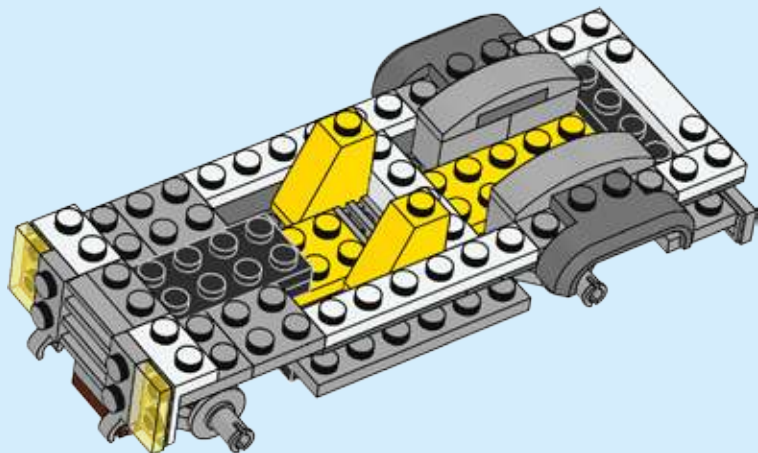






2x

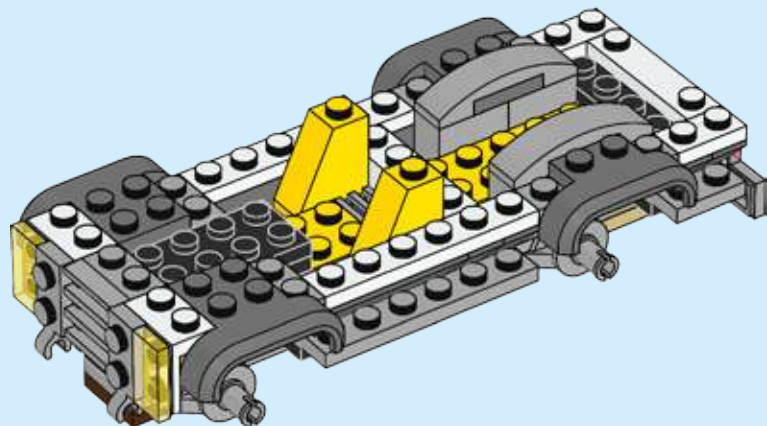
30





2x

31

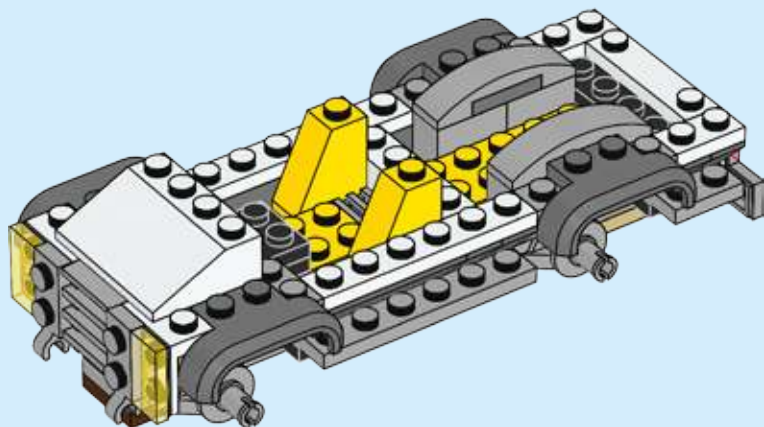


34



1x

32





2x

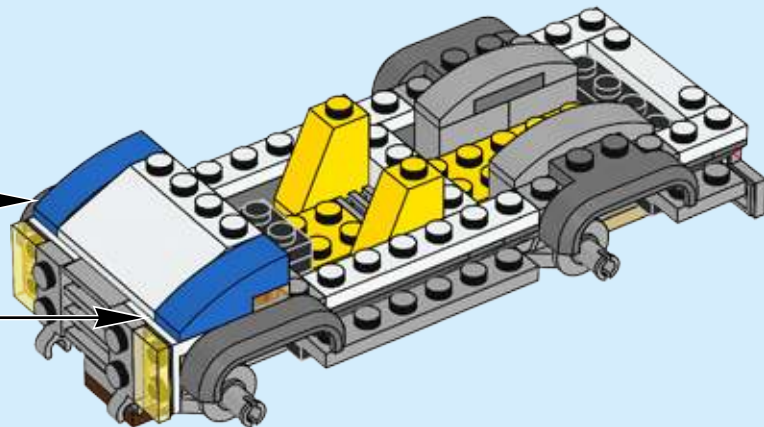


2x

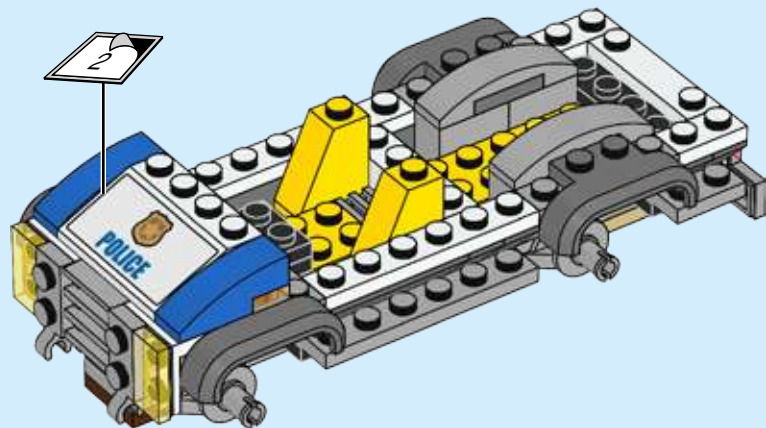
# 33

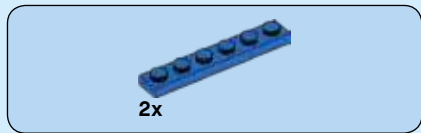


2x

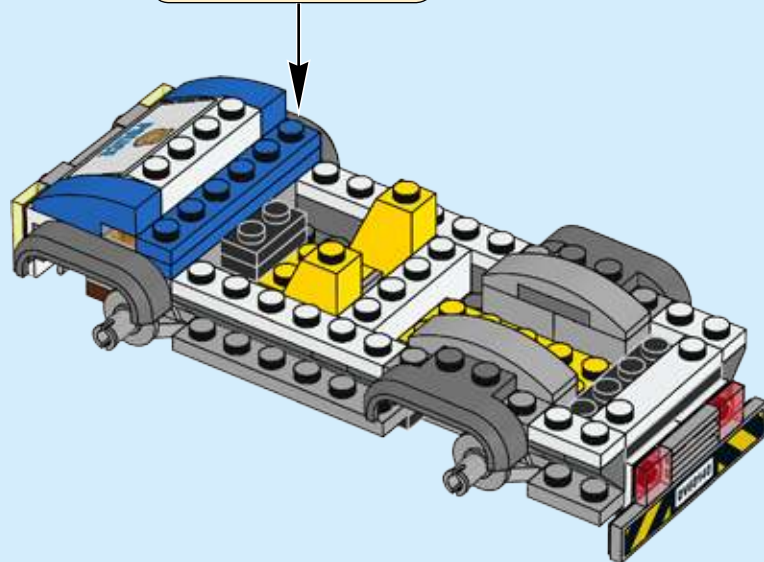
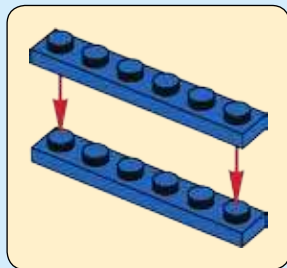


# 34





35



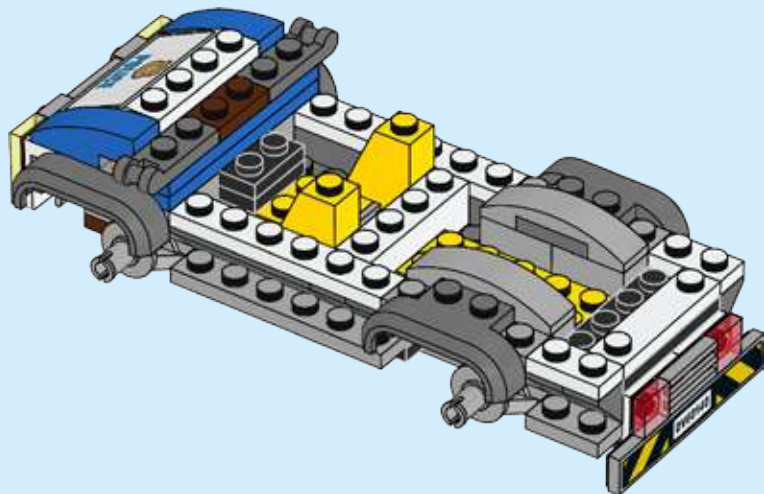


1x



2x

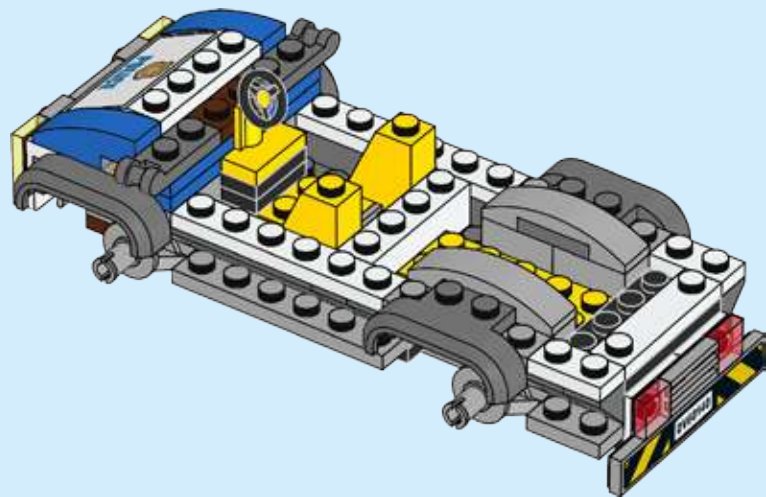
# 36





1x

37





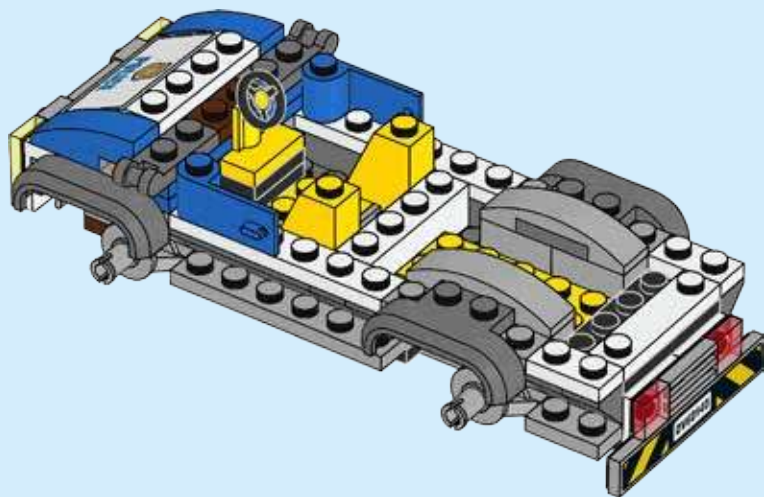


1x



1x

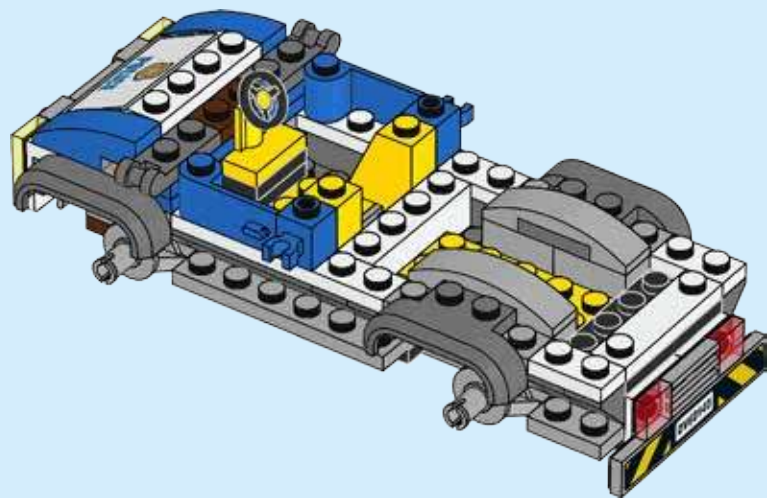
# 38





2x

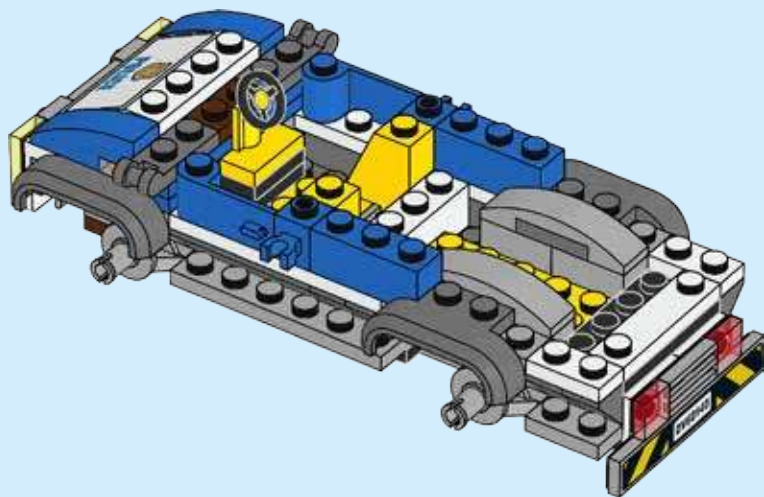
39





2x

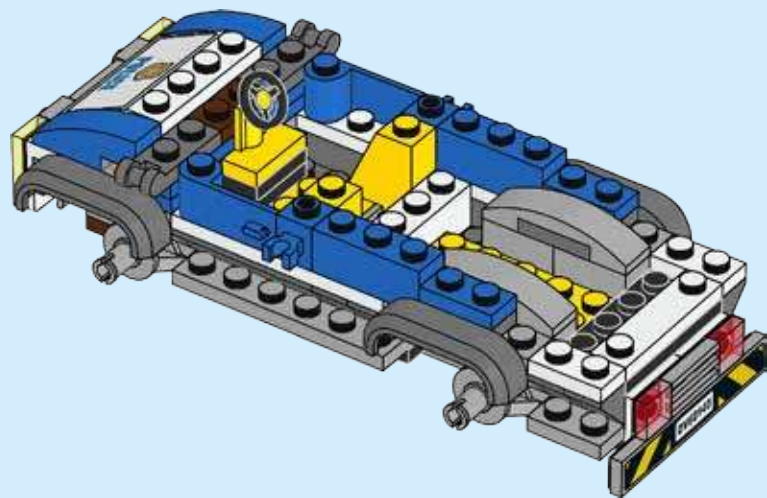
40





2x

41



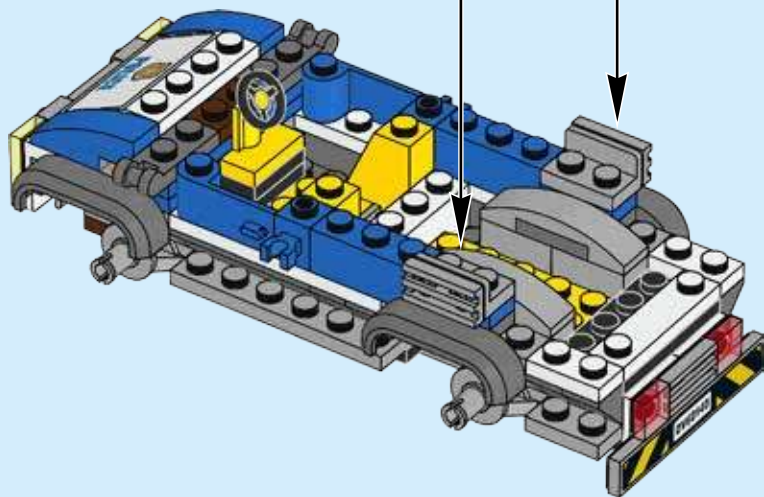


2x



2x

# 42

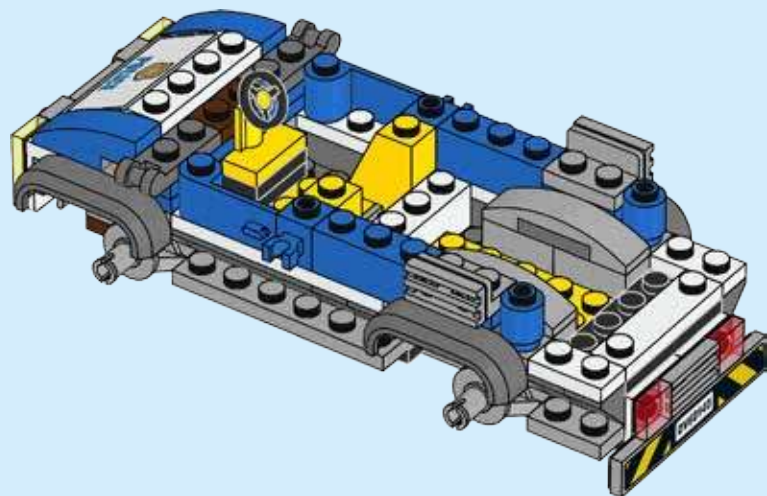


2x



2x

43

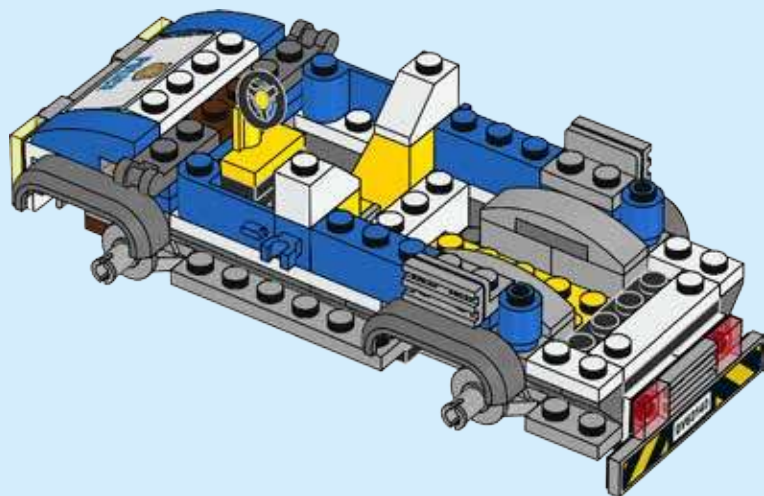


46



2x

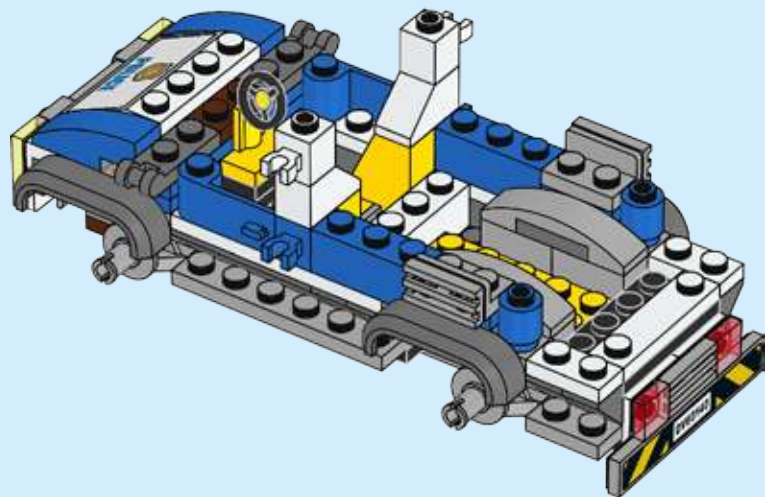
44





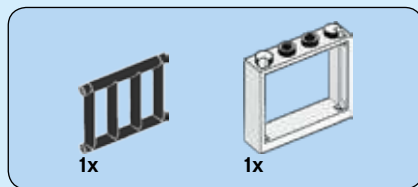
2x

45

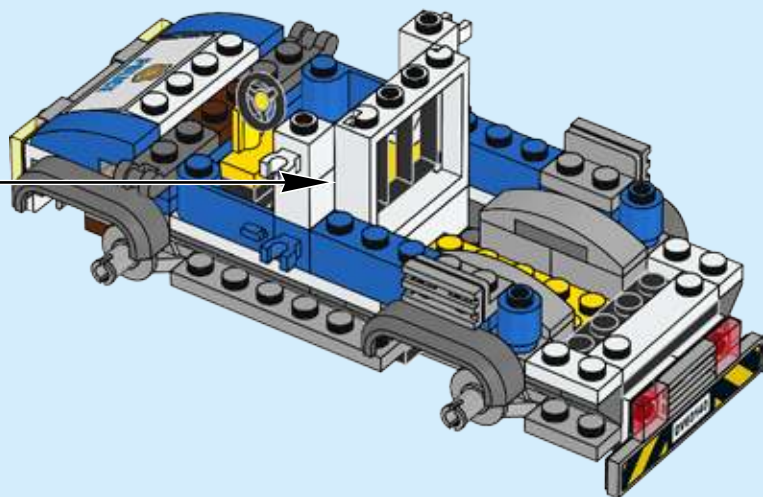
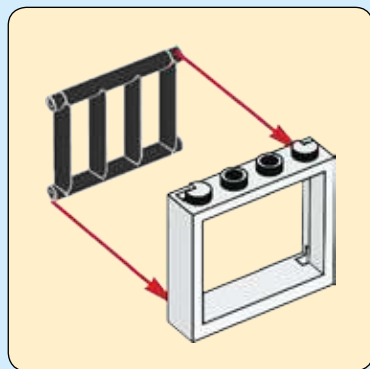


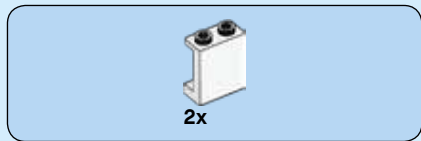
48



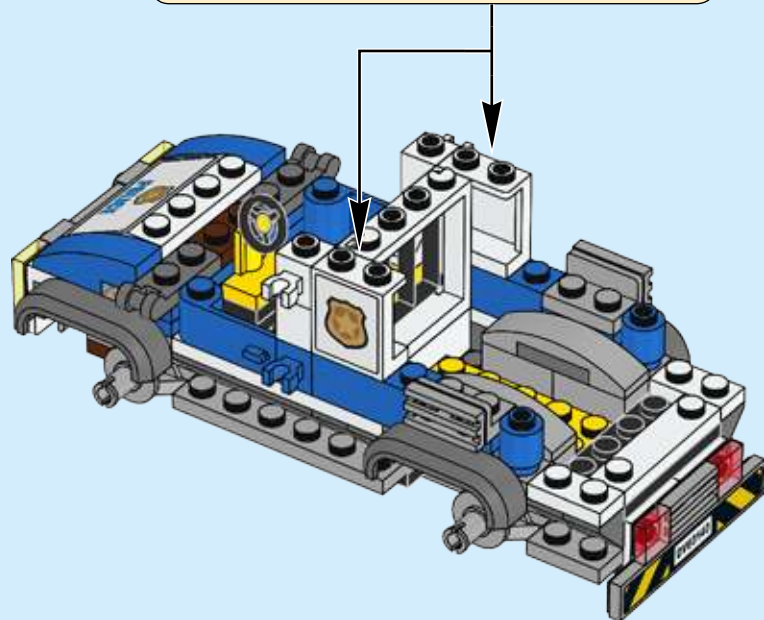


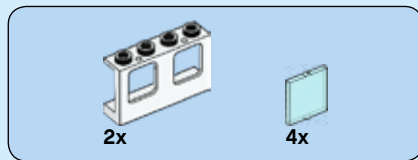
46



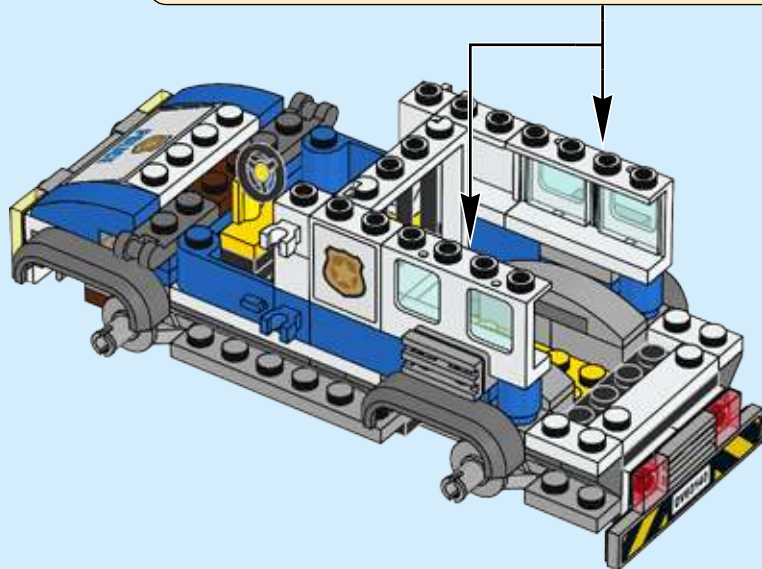
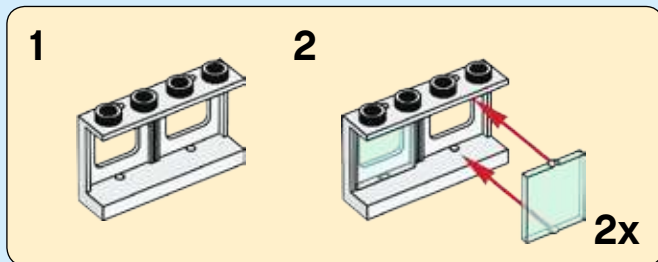


47





48





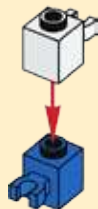
4x



2x

# 49

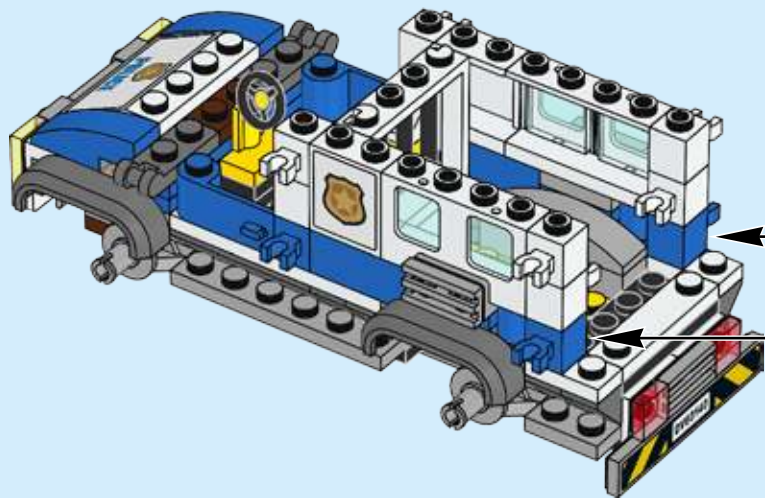
1



2



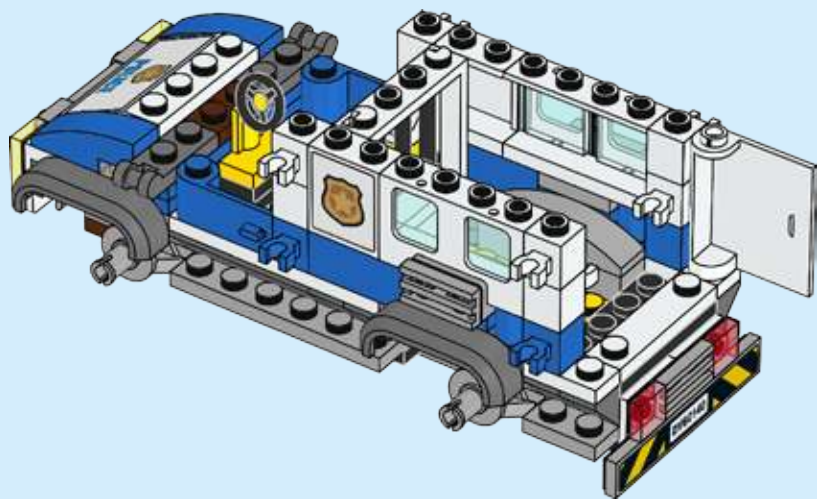
2x





1x

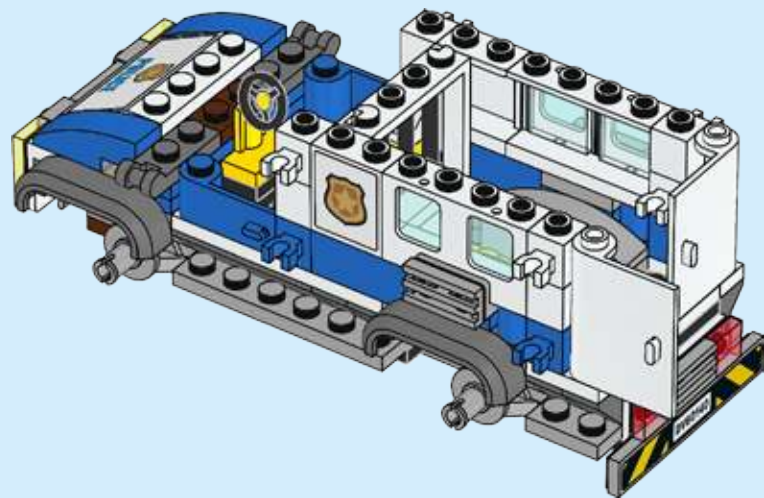
50



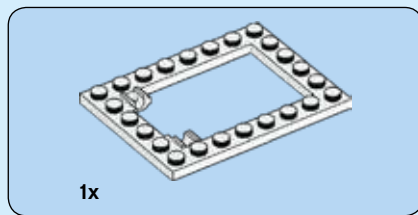


1x

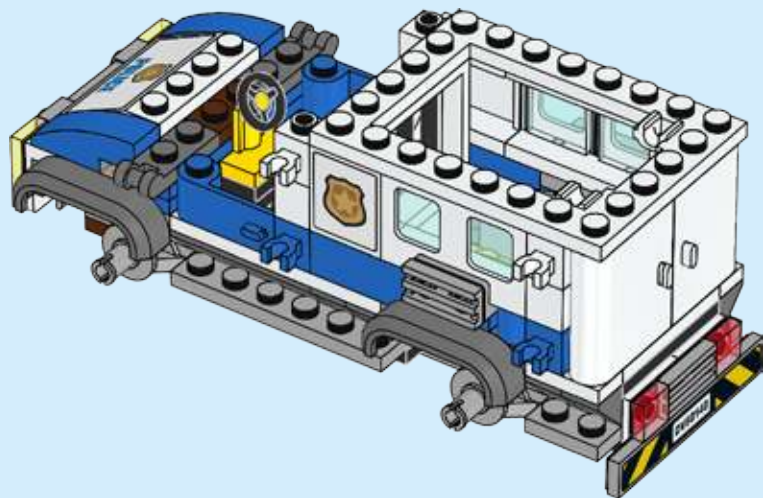
51



54



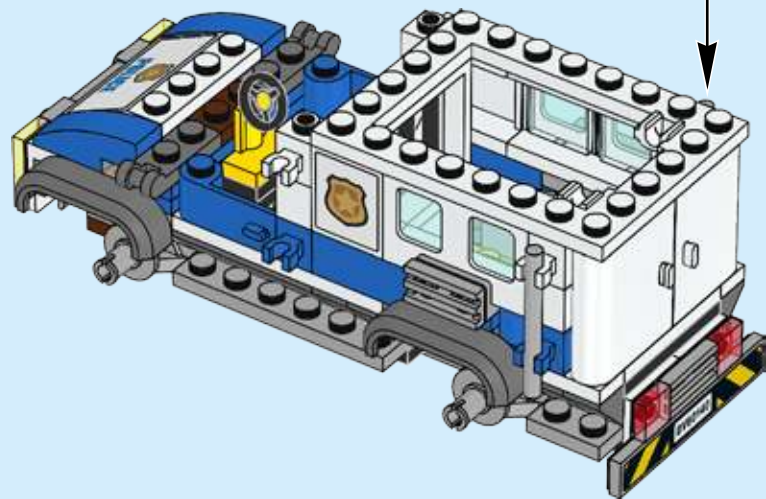
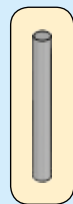
52





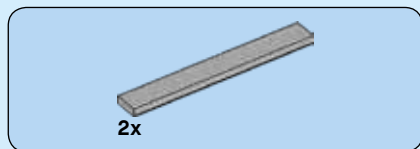
2x

53

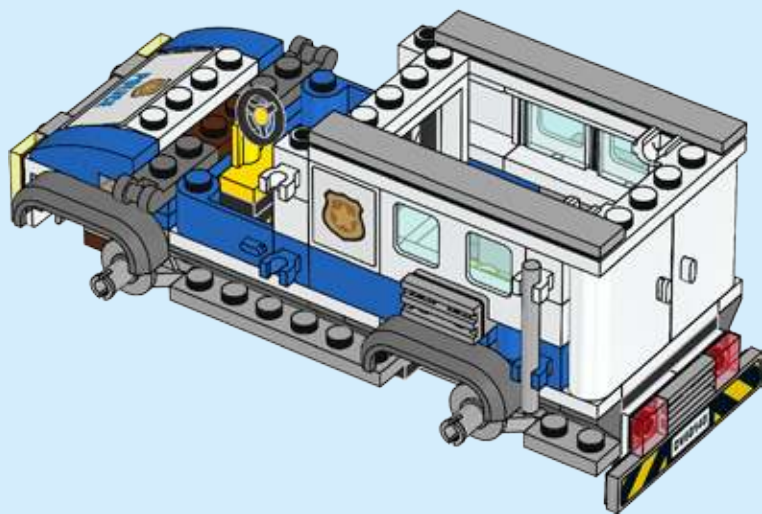


56





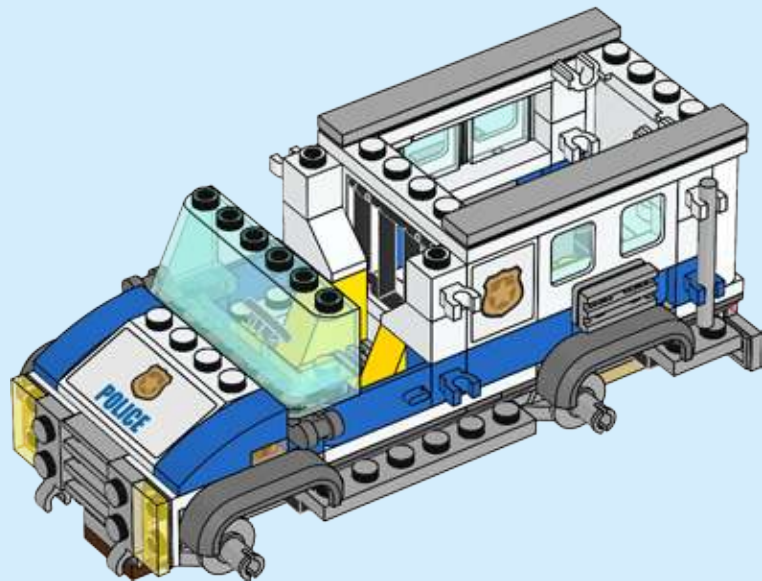
54





1x

55

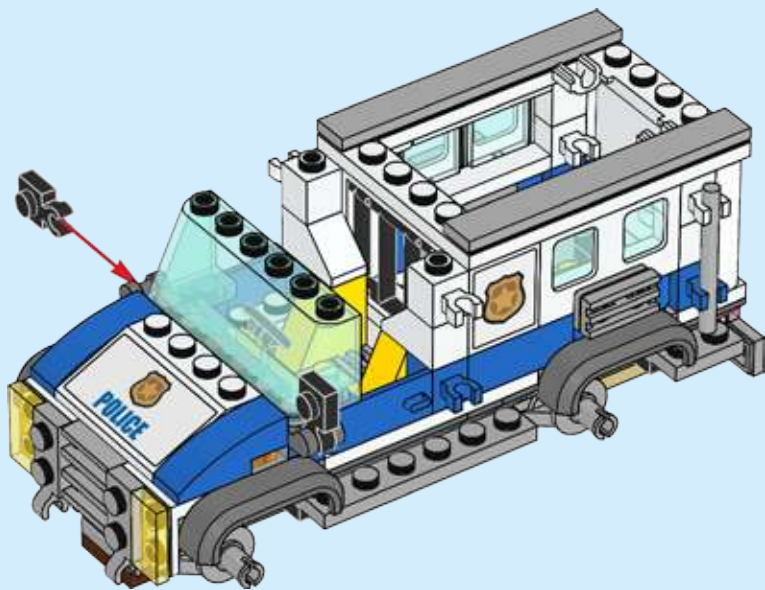


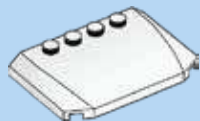
58



2x

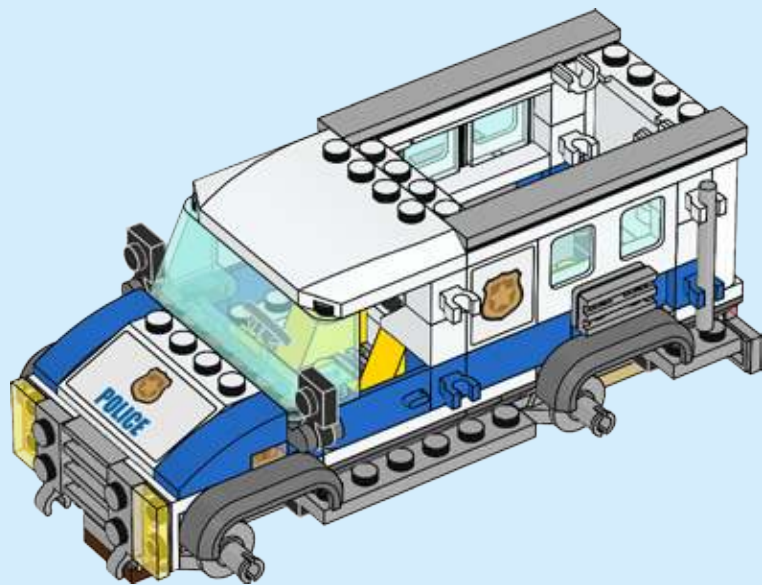
56





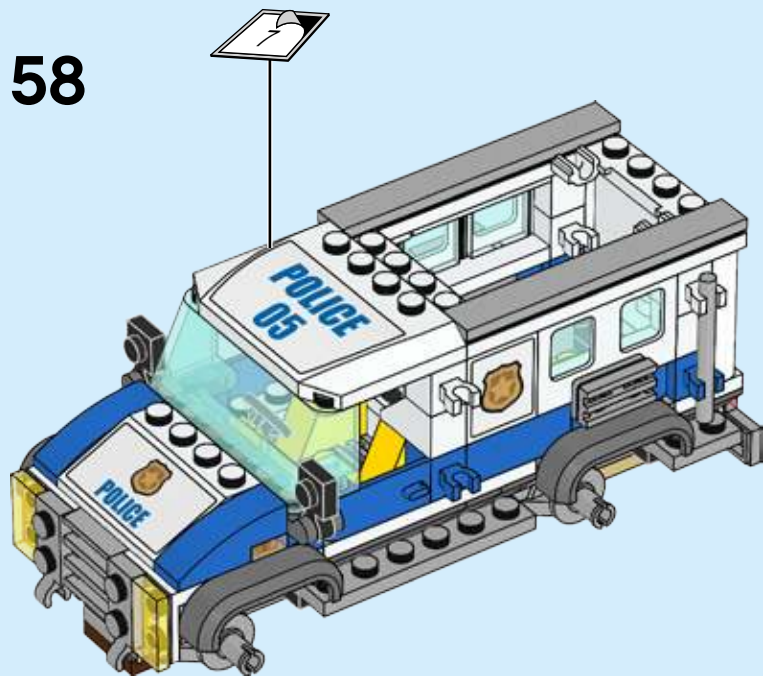
1x

57



60

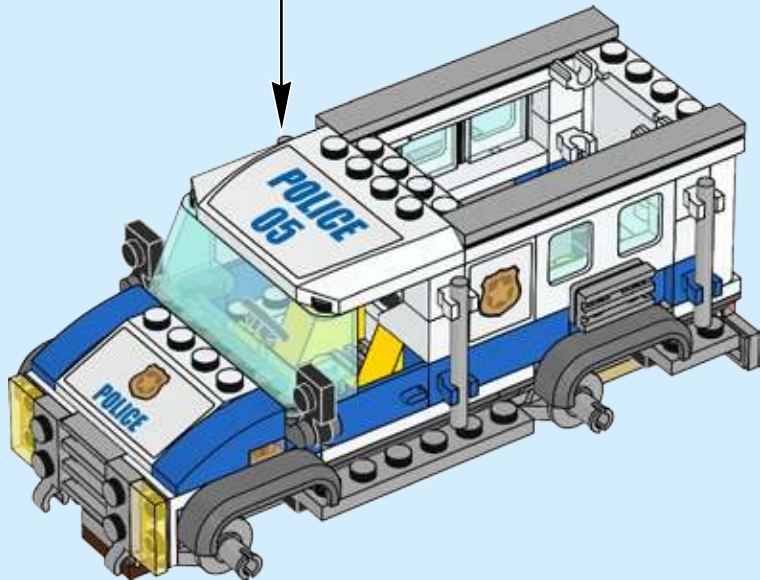
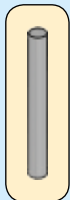
58





2x

59

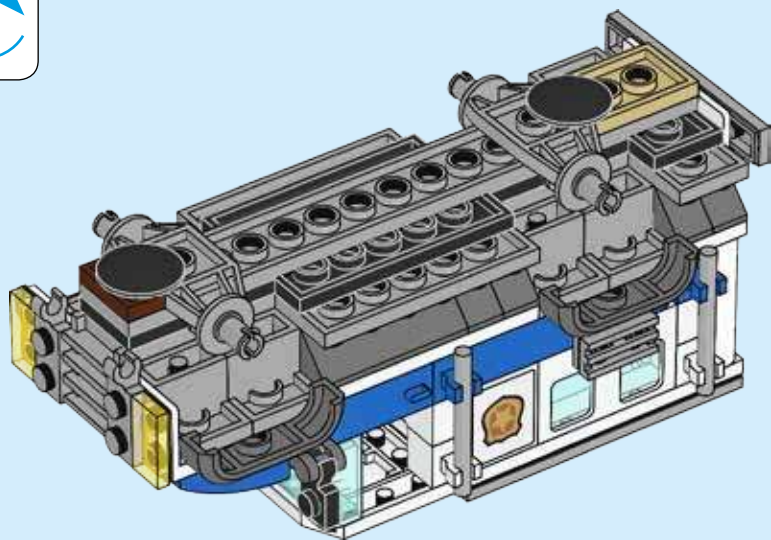
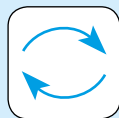


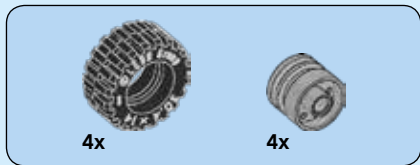
62



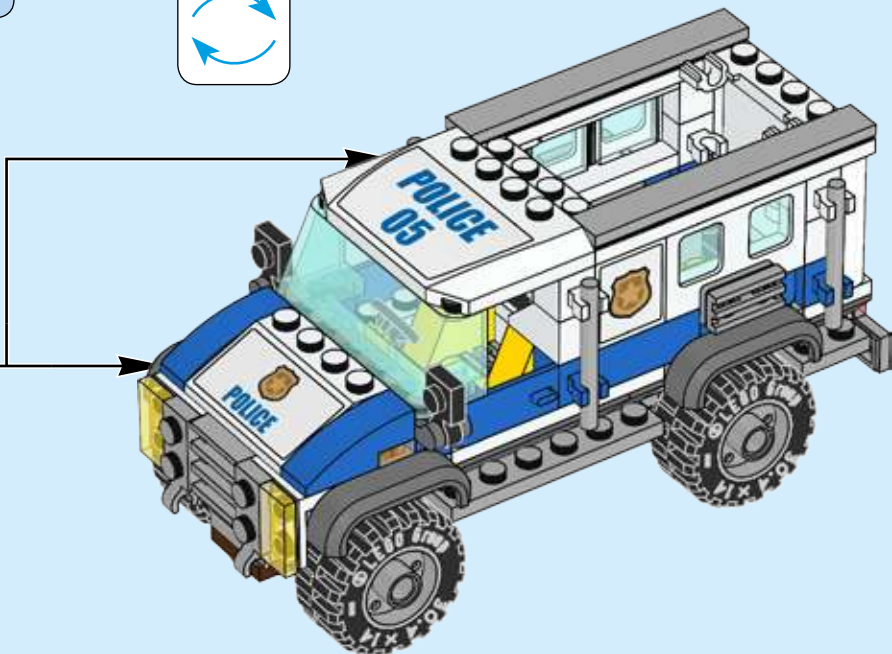
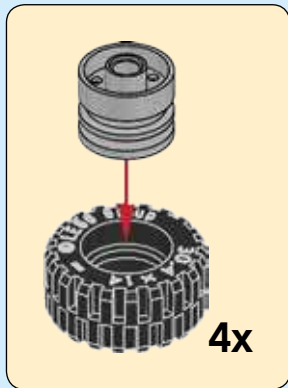
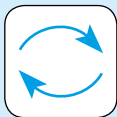
2x

60

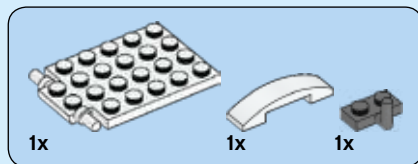




61

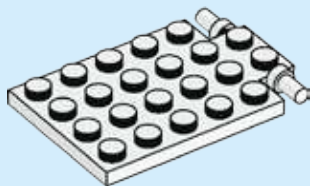






62

1

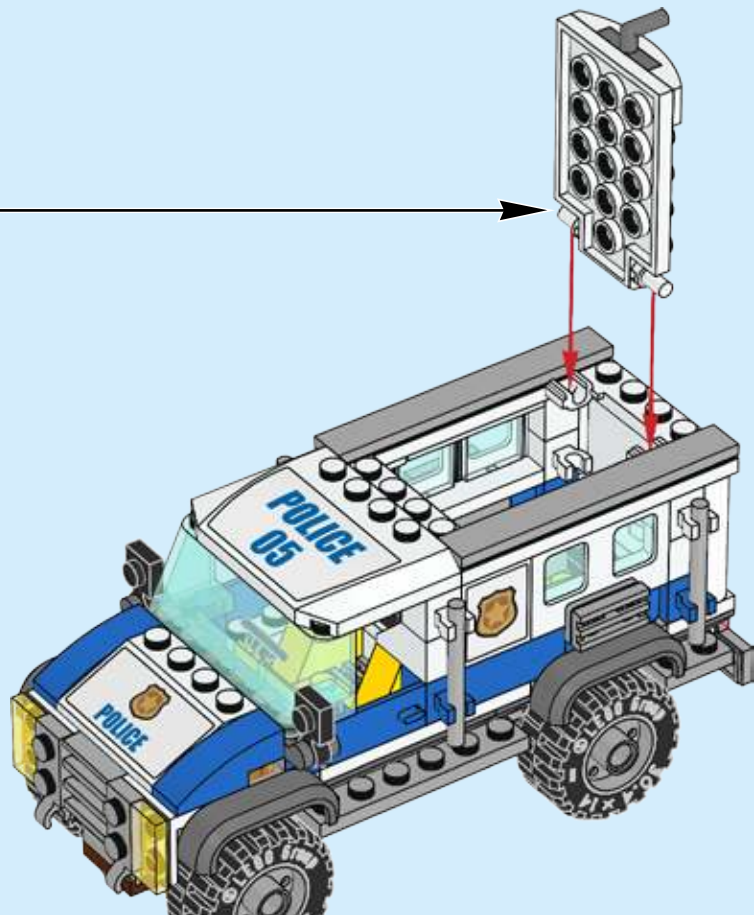


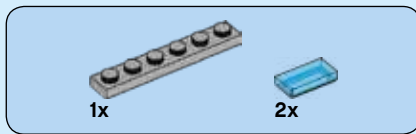
2



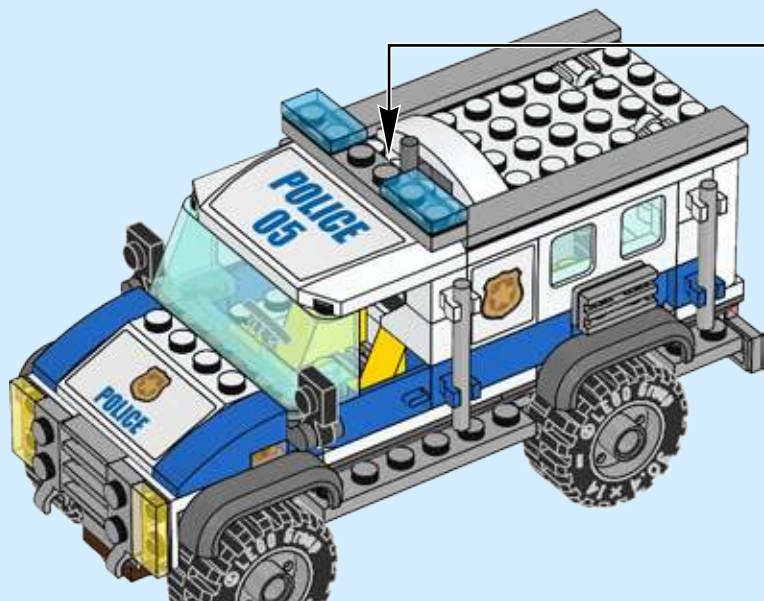
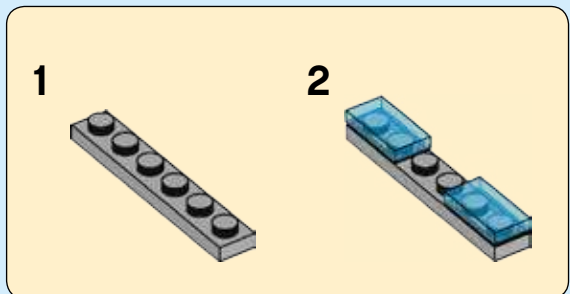
3





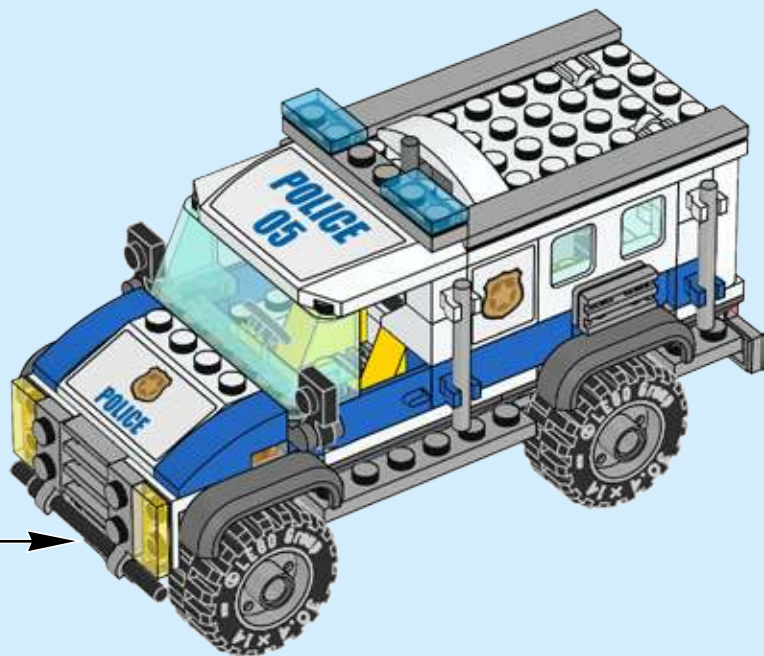


63



1x

64

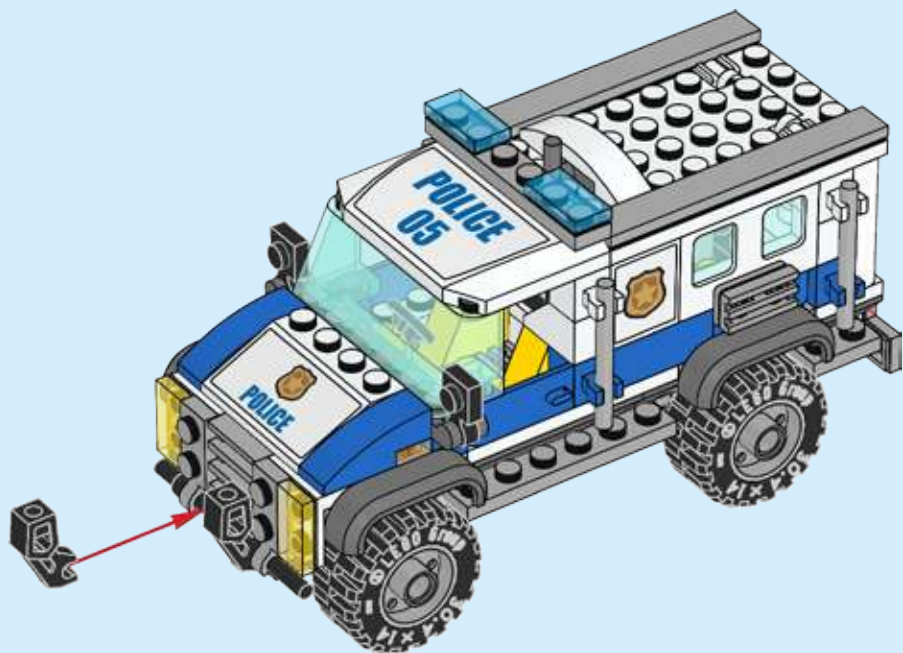


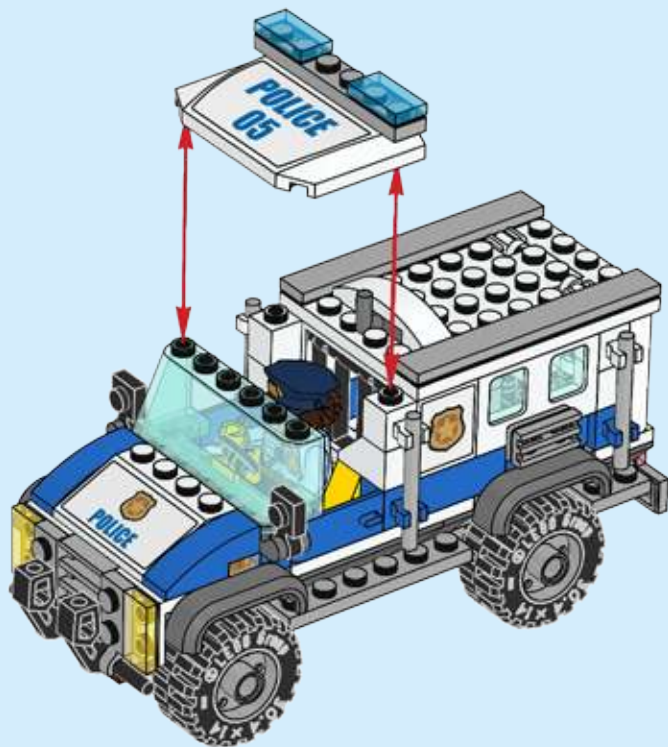
68



2x

65







All your LEGO® fun in one app



Minifigure yourself



Share



Create



LEGO, the LEGO logo, the Minifigure, the Brick and Knob configurations and the LIFE logo are trademarks of the LEGO Group. ©2017 The LEGO Group.

Check availability of LEGO LIFE in your country now on [LEGO.com/life](http://LEGO.com/life)  
Ask parents' permission first.

Consulta si LEGO LIFE está disponible en tu país en [LEGO.com/life](http://LEGO.com/life)  
Pide antes permiso a tus padres.

Auf [LEGO.com/life](http://LEGO.com/life) erfährst du jetzt, ob LEGO LIFE in deinem Land verfügbar ist  
Bitte frage erst deine Eltern um Erlaubnis.

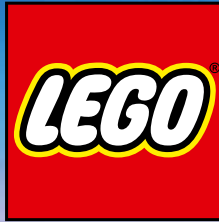
Verifica agora a disponibilidade de LEGO LIFE no teu país em [LEGO.com/life](http://LEGO.com/life)  
Pede primeiro permissão aos teus pais.

Vérifie la disponibilité de LEGO LIFE dans ton pays sur [LEGO.com/life](http://LEGO.com/life)  
Demande d'abord l'autorisation d'un parent.

Ellenőrizd a LEGO LIFE elérhetőségét a lakóhelyeden, most a [LEGO.com/life](http://LEGO.com/life) honlapon!  
Először kérj engedélyt a szüleidtől!

访问 [LEGO.com/life](http://LEGO.com/life) 网站, 查看乐高生活系列是否已在你所在国家上线。先请求家长的许可。

Apple and the Apple logo are trademarks of Apple Inc., registered in the U.S. and other countries.  
App Store is a service mark of Apple Inc. Google Play is a trademark of Google Inc.



# WORLDS

JANUARY 2017 / JANVIER 2017 / JANUAR 2017  
ENERO DE 2017 / JANEIRO DE 2017  
JANUÁR 2017 / 2017年1月



www.pegi.info

PROVISIONAL



6196331 [LEGO.com/worlds](http://LEGO.com/worlds)

LEGO WORLDS software © 2017 TT Games Ltd. Produced by TT Games under license from the LEGO Group. LEGO, the LEGO logo, the Brick and the Knob configurations and the Minifigure are trademarks of the LEGO Group. © 2017 The LEGO group. All other trademarks and copyrights are the property of their respective owners. All rights reserved. WB GAMES LOGO, WB SHIELD:™ & © Warner Bros. Entertainment Inc. (s17)