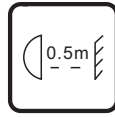
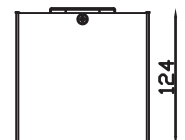
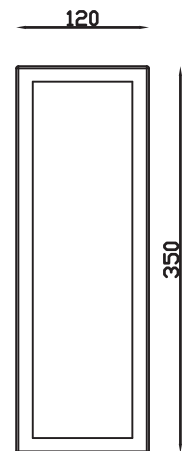
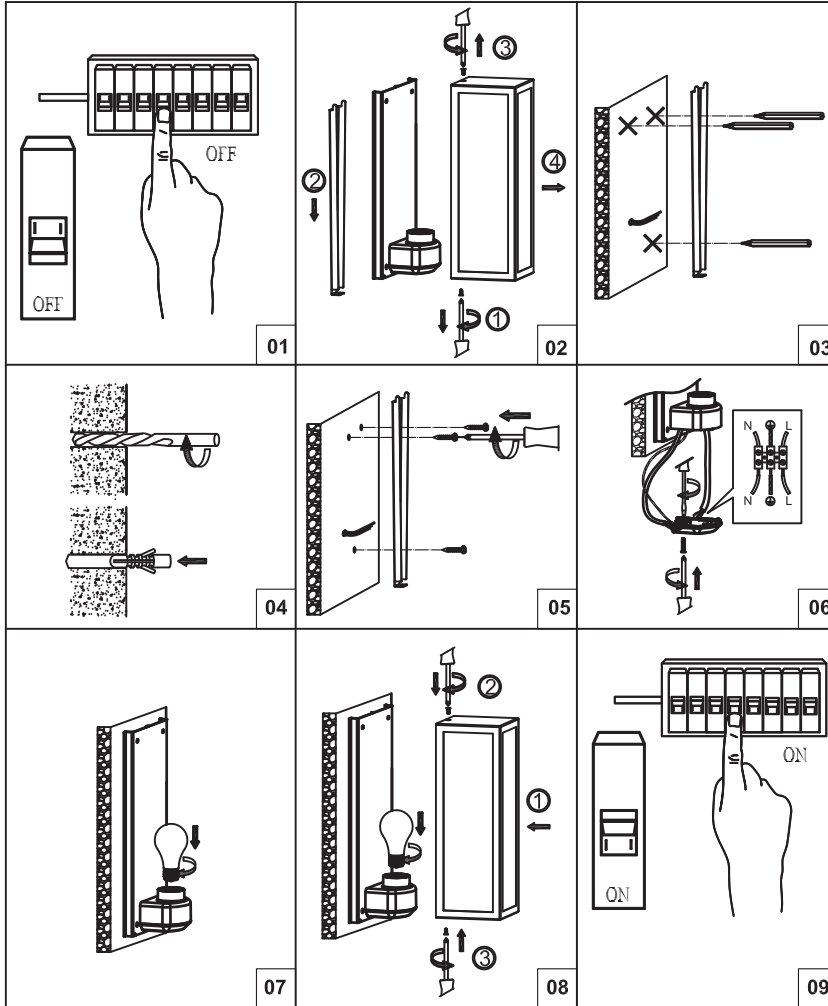


INSTRUCTION MANUAL



Rotterdam WL 3 Black
97210



QAZQA