

LIVOO
Feel good moments
Instruction manual

Built in Electric double cooking plate



Reference : DOC168
Version : 1.4
Language: English



Instruction manual

You have purchased a product LIVOO brand and we thank you. We take great care in design, ergonomics and ease of use of our products. We hope that this product will give you complete satisfaction.

This instruction manual is available too on our website www.livoo.fr

General Instructions

PLEASE, TAKE TIME TO READ WELL THE INSTRUCTIONS FOR USE PARTICULARLY BEFORE THE FIRST USE.

A misuse of the appliance can damage it or hurt the user. Assure that you use the appliance for the use for which it is designed; we refuse any responsibilities as for the damages by an incorrect use or a bad manipulation.

1. The appliance is intended for household use. All other using is forbidden. Don't use outdoor.
2. Before plugging in check that the voltage of your wall outlet correspond to the rated voltage manner.
3. The appliance should only be connected to an earthed socket.
4. This appliance can be used by children aged from 8 years and above and persons with reduced physical, sensory or mental capabilities or lack of experience and knowledge if they have been given supervision or instruction concerning use of the appliance in a safe way and understand the hazards involved.
5. Children shall not play with the appliance.
6. Cleaning and user maintenance shall not be made by children without supervision.

Instruction manual

7. Keep the appliance and its cord out of reach of children less than 8 years.
8. Never leave the appliance unsupervised when in use.
9. Appliance inlet must be dried before the appliance is used again.
10. Never used the appliance :
 - If the power cord is damaged
 - In case of bad operation
 - It has been damaged in any manner
 - It has been submerged in water
 - If you dropped it
11. If the supply cord is damaged, it must be replaced by the manufacturer, its service agent or similarly qualified persons (*) in order to avoid a hazard.
12. Never immerse the base of your appliance in water or any other liquid for any reason whatsoever. Never place it into the dishwasher.
13. To reduce the risk of electric shock, never operate this product with wet hands.
14. Never unplug the appliance by pulling the cord
15. Unwind the cord of its flat to avoid the superheating of the appliance.
16. Do not place an appliance on or near a hot gas or on a heated oven.
17. It is absolutely necessary to keep this appliance clean at all times as it comes into direct contact with food.
18. Regarding the instruction for cleaning surfaces in contact with food thanks to refer to the below paragraph “cleaning” in

Instruction manual

manual.

19. The appliance is not intended to be operated by means of external timer or separate remote control system.
20. **WARNING:** Unattended cooking on a hob with fat or oil can be dangerous and may result in fire
21. **NEVER** try to extinguish a fire with water, but switch off the appliance and then cover flame e.g, with a lid or a fire blanket
22. **CAUTION:** The cooking process has to be supervised, a short term cooking process has to be supervised continuously
23. **WARNING:** Danger of fire: do not store items on the cooking surfaces
24. **WARNING:** Use only hob guards designed by the manufacturer of the cooking appliance or indicated by the manufacturer of the appliance in the instructions for use as suitable or hob guards incorporated in the appliance, The use of inappropriate guards can cause accidents
25. A steam cleaner is not be used.
26. This appliance is intended to be used in household and similar applications such as:
 - staff kitchen areas in shops, offices and other working environments
 - farm houses
 - by clients in hotels, motels and other residential type environments

(*) Competent qualified electrician: after sales department of the producer or importer or any person who is qualified, approved and competent to perform this kind of repairs in order to avoid all danger. In any case you should return the appliance to this electrician.

Instruction manual

Stove installation

1. To ensure safe operation, profile and back side of the cookers should be kept away from combustible (wall surfaces, etc.) no less than 15 cm, and if it has hanging objects above, must keep the distance above 100 cm between boiler face and hanging objects.

2. Stoves should be installed at the air circulation place as far as possible, and should have good indoor air circulation, need to install gas fan (or range hood) if necessary.

3. When install embedded stoves to the cupboard, must to hole an aspirail on its profile or underneath convenient place ensure that air free inflows.

4. After make sure the installation position of stove, make the hole on the the cupboard as below, there are two kinds of models. After that put the stove should be embedded in the hole.

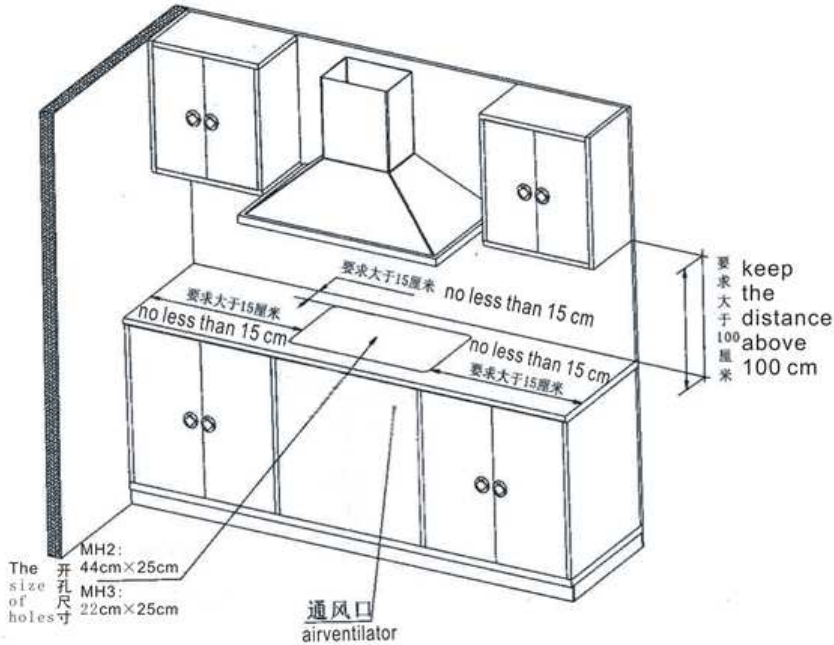
Necessity to allow disconnection of the appliance from the supply after installation

The disconnection may be achieved by having the plug accessible or by incorporating a switch in the fixed wiring in accordance with the wiring rules

The instructions specify that a board is to be installed underneath the hob.

Minimum dimensions of ventilating openings: 30mm (Max. 75 mm)

Instruction manual



WARNING: HOT SURFACE

Surfaces can be very hot when appliance is operating

WARNING: The appliance and its accessible parts become hot during use. Care should be taken to avoid touching heating elements. Children less than 8 years of age shall be kept away unless continuously supervised

DO NOT OPERATE this product near water sources or flammable liquids.

DO NOT CLEAN OR TOUCH this product when it is still hot

TECHNICAL SPECIFICATIONS

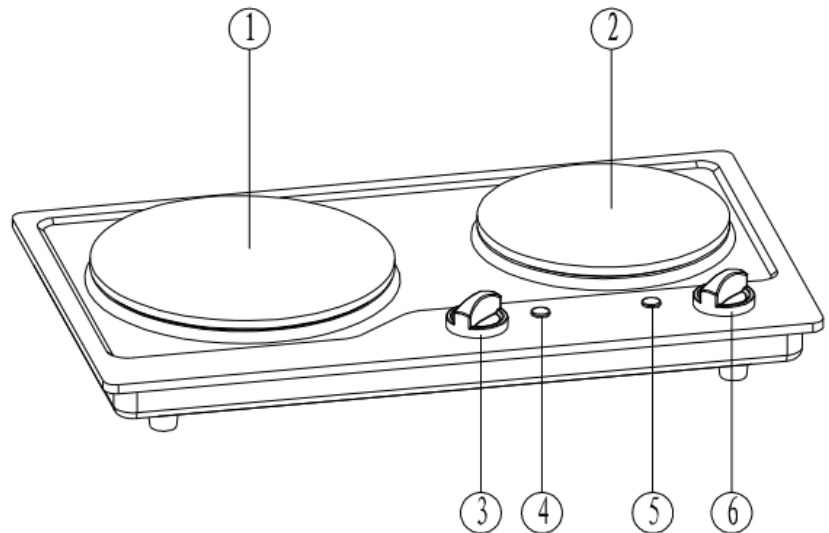
Instruction manual

Voltage: 220-240V~50-60Hz

Power: 2500W

DESCRIPTION

1. Hot plate 1500W
2. Hot plate 1000W
3. Temperature control of Hot plate 1500W
4. Light indicator of Hot plate 1500W
5. Light indicator of Hot plate 1000W
6. Temperature control of Hot plate 1000W



USE

After having installed your appliance and before the first use, set the control to the maximum setting to remove the invisible protective coating and leave switched on for approximately 4 minutes. Smoke can appear, make sure that the room is ventilated. Allow to cool down completely. Now, the built in cooking plates are ready for use.

1. Select a suitable position close to an electric socket, on a dry and flat surface. Plug in
2. Turn the temperature control clockwise: you can adjust the degree of heating you want, use the lower heat settings for gentle heating and the high settings MAX for boiling. The light indicator will light up, the appliance is heating.
3. Always use flat-bottomed saucepans, same size as the cooking plates to make good contact with it.
4. The built in cooking plates will remain lot of residual heat after use. This may be used to keep food warm for a short period.

Note: Do not touch the hot plate

5. After use, turn temperature control to MIN .

CLEANING AND STORAGE

Before cleaning, wait for the appliance to cool down.

Instruction manual

- Wipe with a moistened cloth.
- Do not clean with any abrasive items or liquids, as this will damage the appliance.
- Do not immerse in water or any other liquid.



**Correct disposal of the unit
(Electrical and Electronic Equipment)**

(Applicable in the European Union and the rest of Europe that have adopted separate collection systems countries)



The European Directive 2012/19/EU on Waste Electrical and Electronic Equipment (WEEE), requires that old household electrical appliances must not be disposed of in the normal household waste stream.

Old appliances must be collected separately in order to optimize the recovery and recycling of the materials they contain and reduce the impact on human health and the environment.

The symbol of the crossed out dustbin is marked on all products to remind the obligations of separate collection.

Consumers should contact their local authority or retailer for information concerning the correct disposal of their product.



LIVOO
BP 61071
67452 Mundolsheim

- Photo no contractual
- Worried about the quality of his products the manufacturer reserves the right to make modifications without advance notice