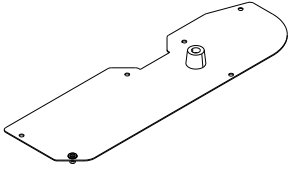
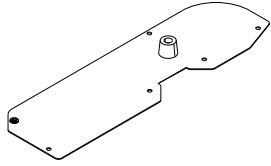


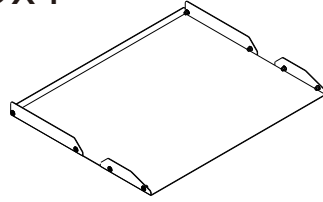
Ax1



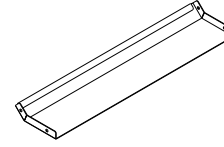
Bx1



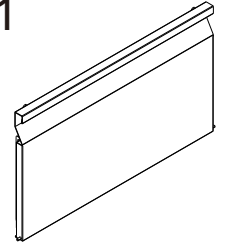
Cx1



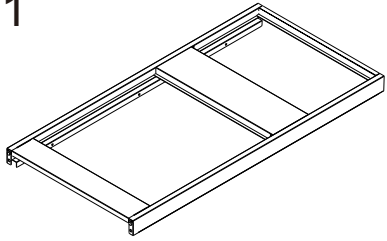
Dx1



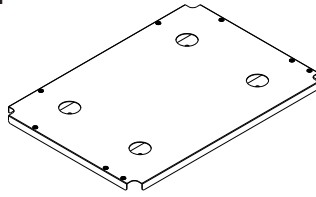
Ex1



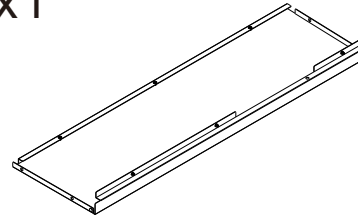
Fx1



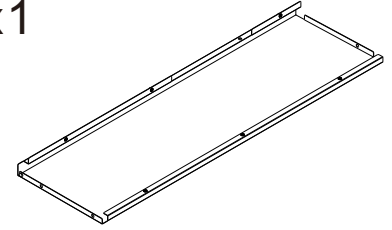
Gx1



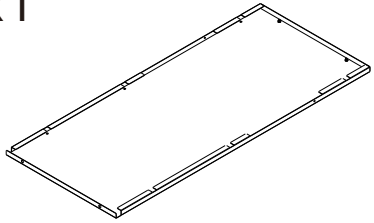
Hx1



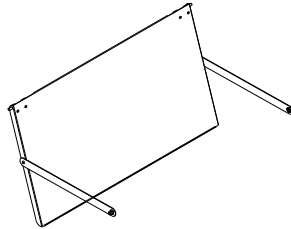
Ix1



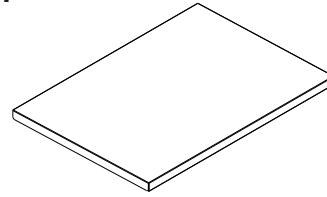
Jx1



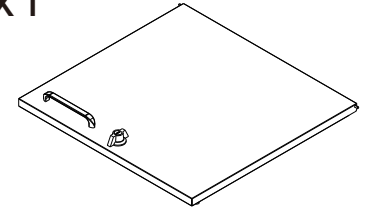
Kx1



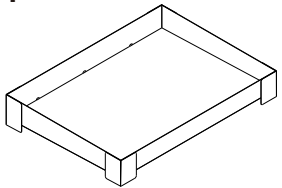
Lx1



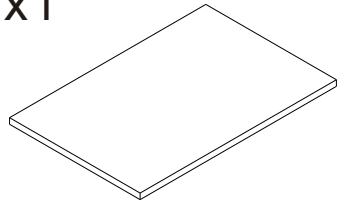
Mx1



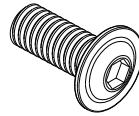
Nx1



Ox1

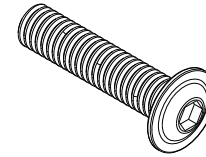


Px18



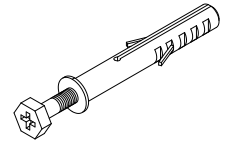
M4x10mm

Qx18

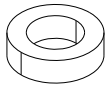


M4x16mm

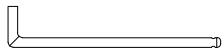
Rx4



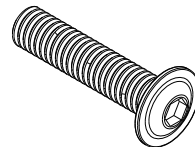
Sx3



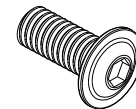
Tx1



Ux1



x2



x2



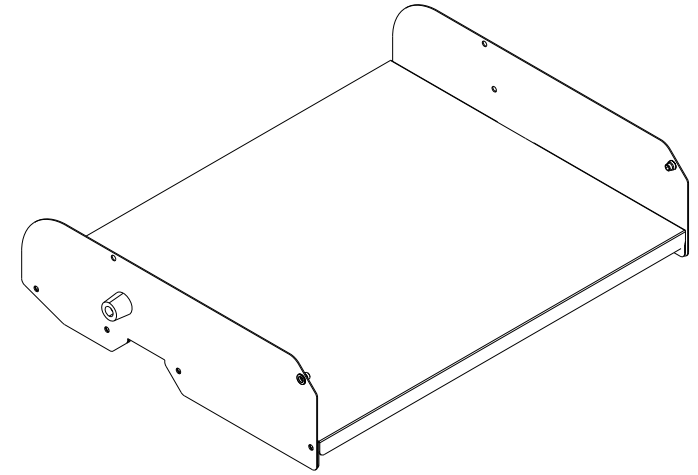
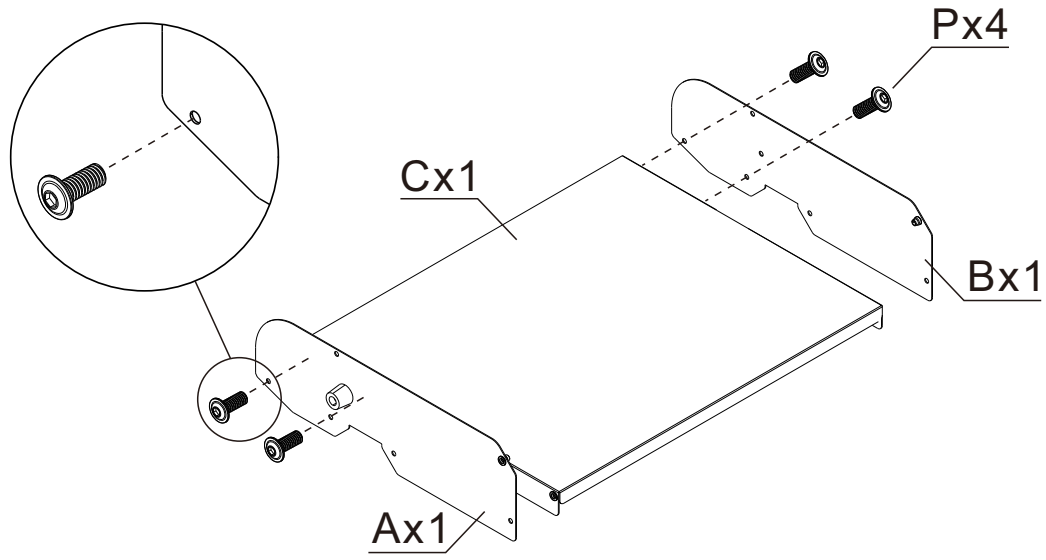
x4



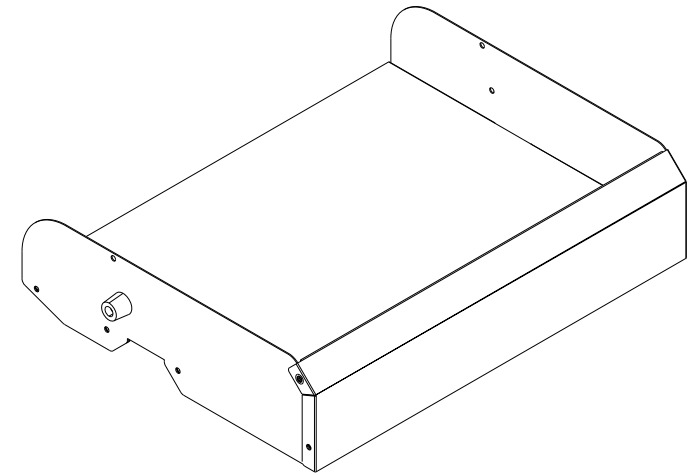
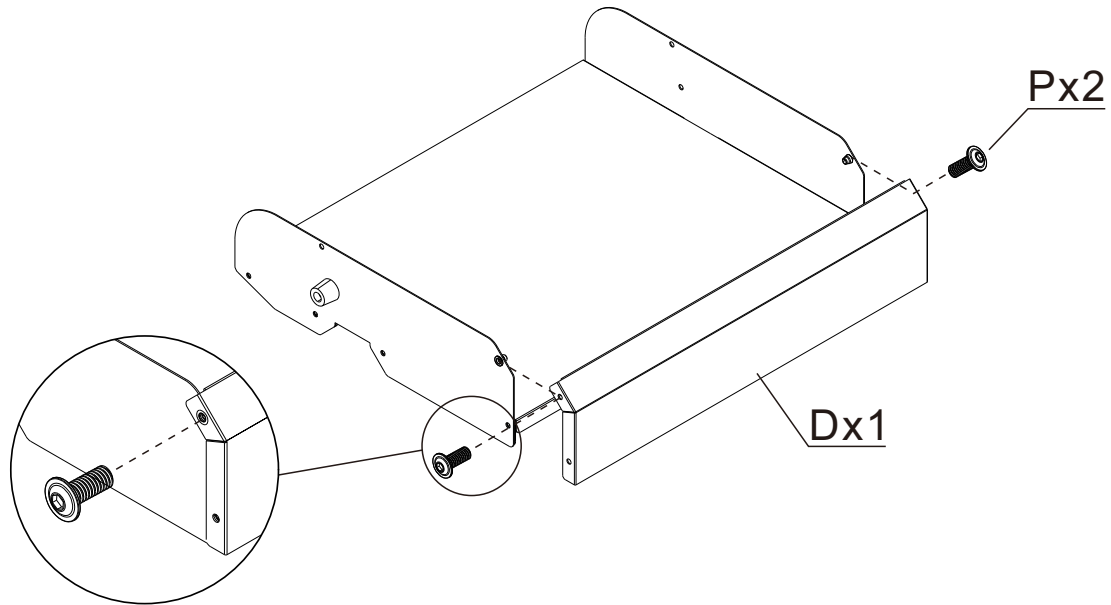
x2

SPARE PART

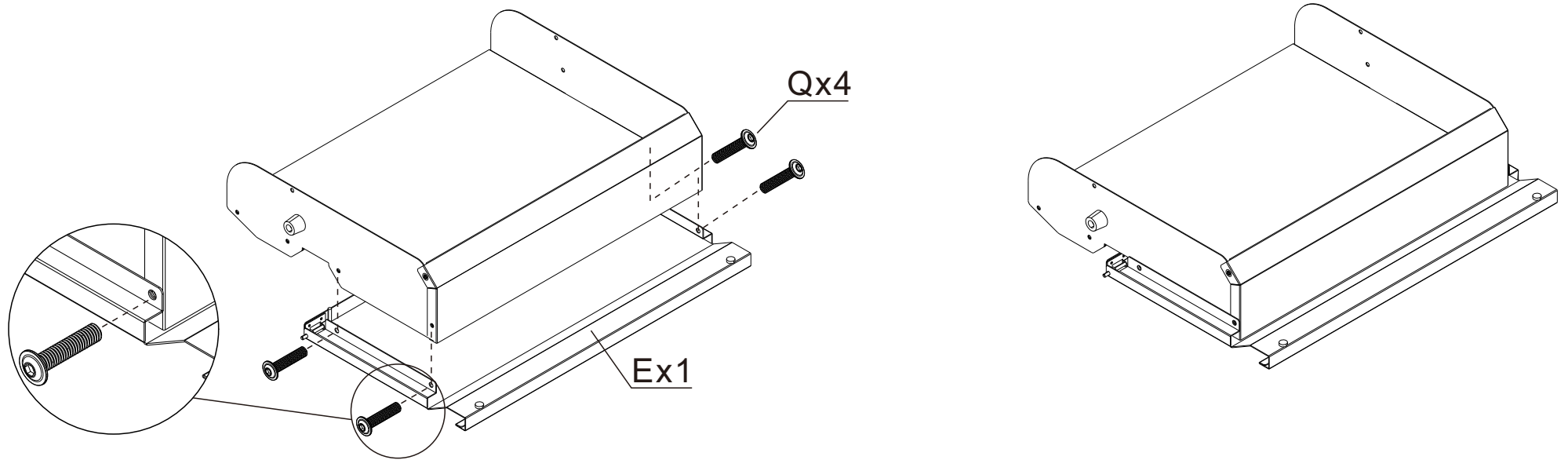
STEP 1



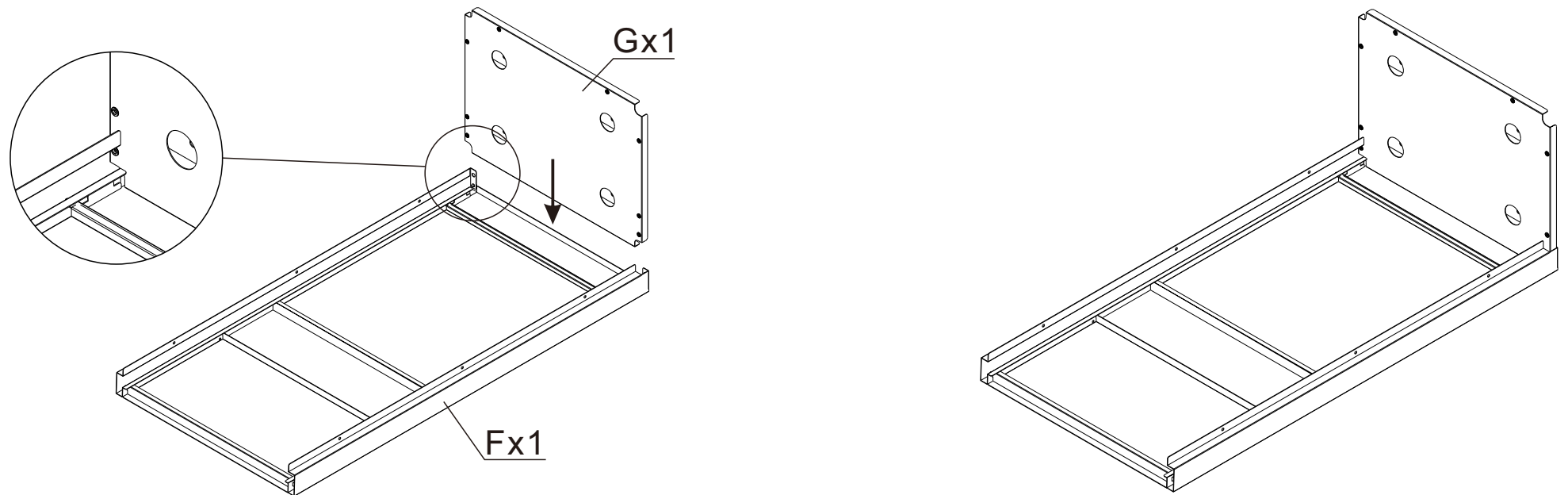
STEP 2



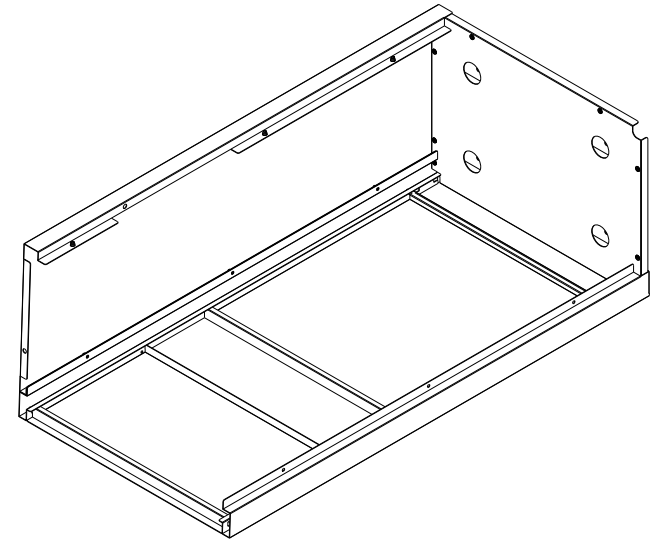
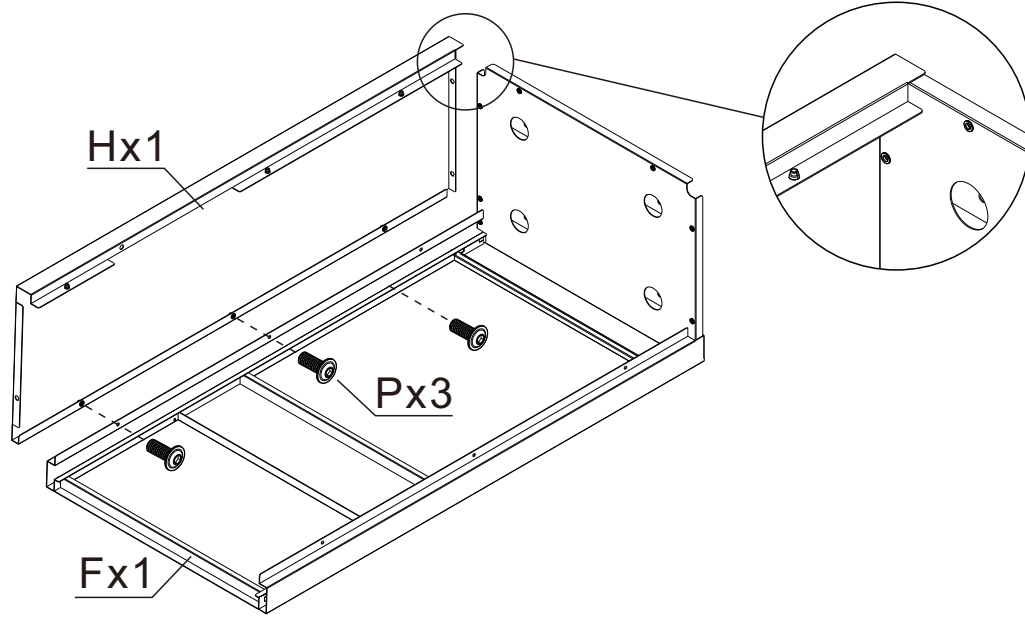
STEP3



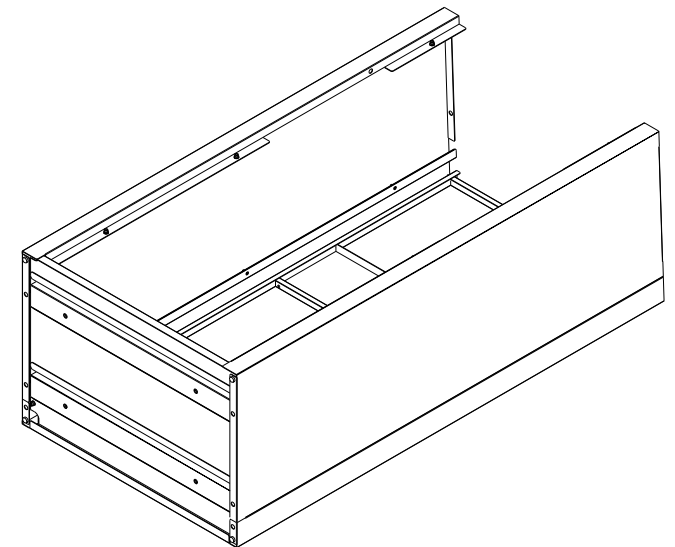
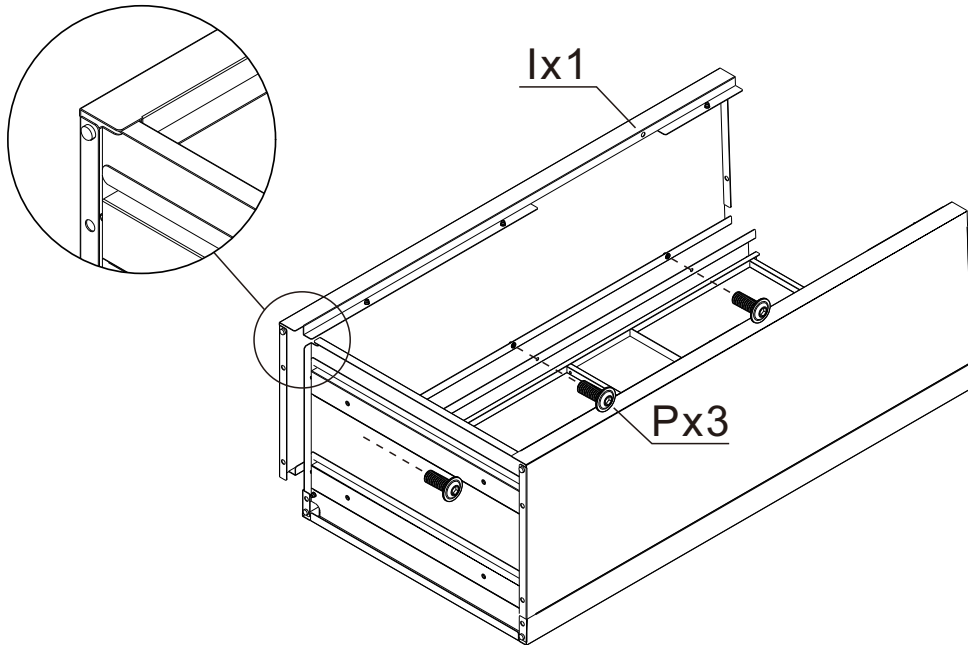
STEP4



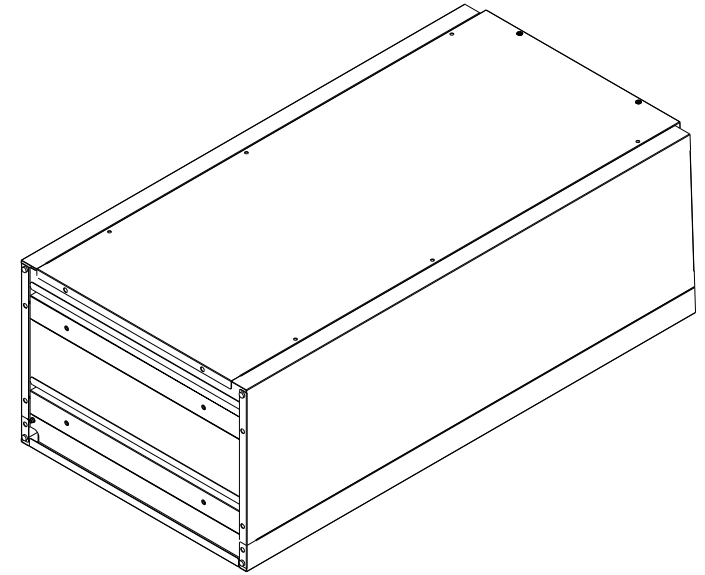
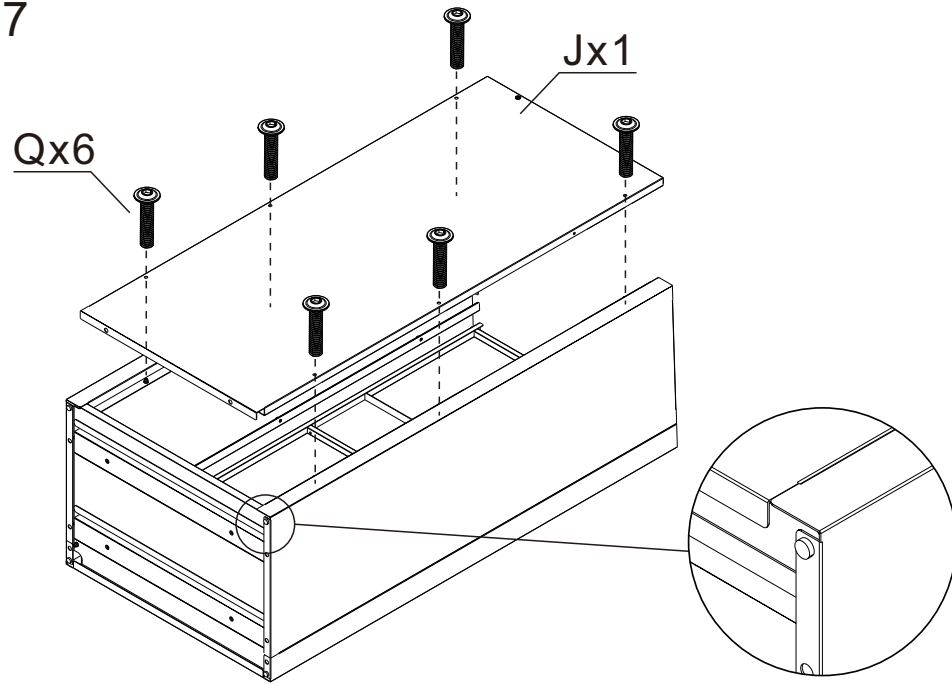
STEP5



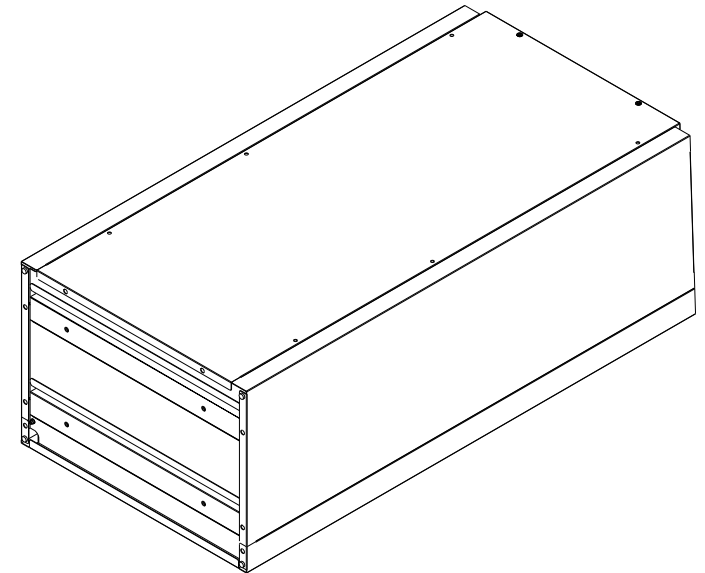
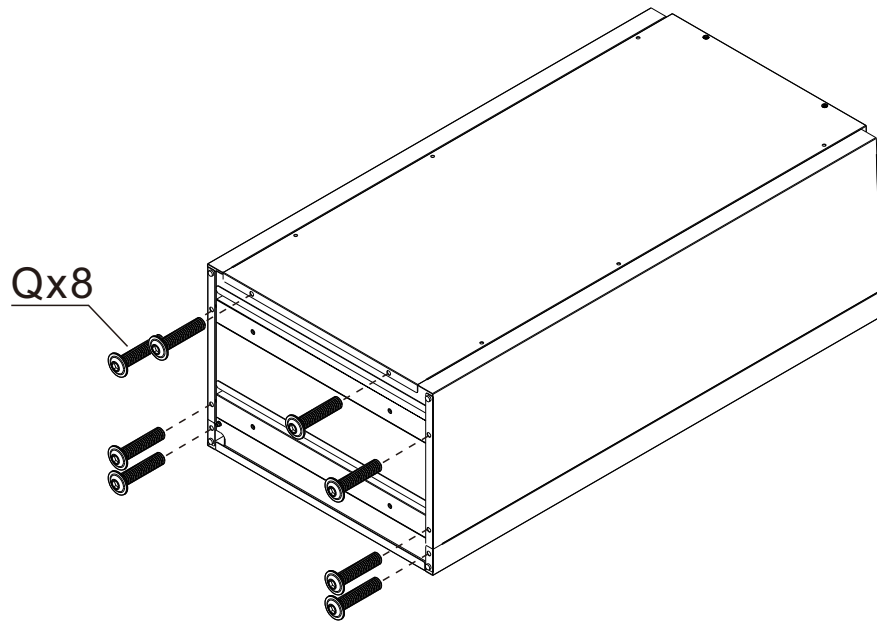
STEP6



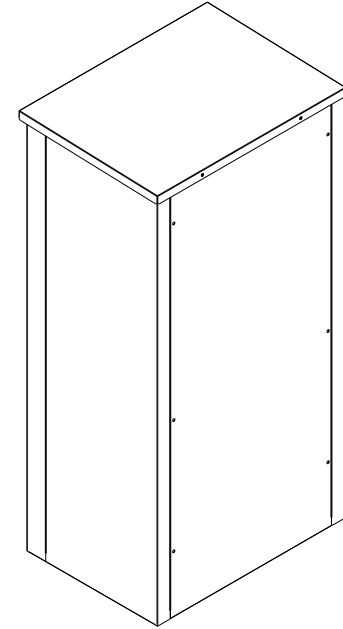
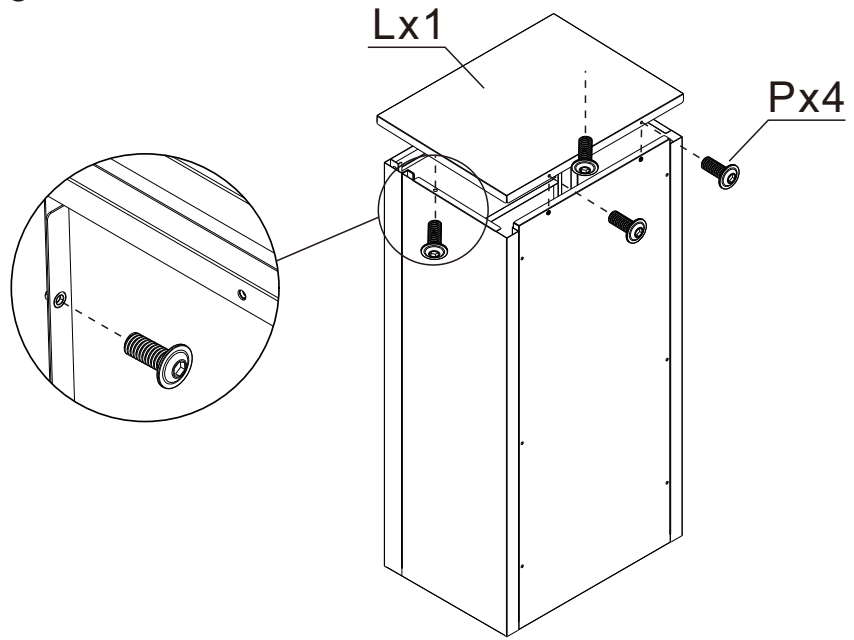
STEP 7



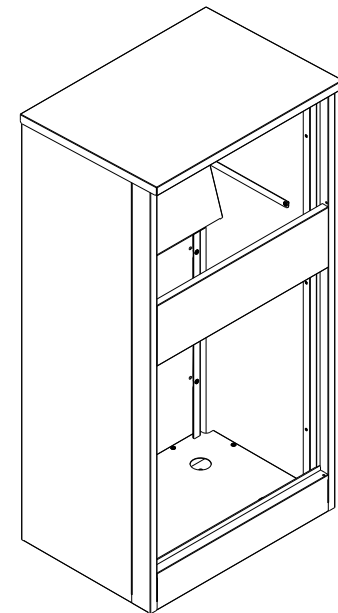
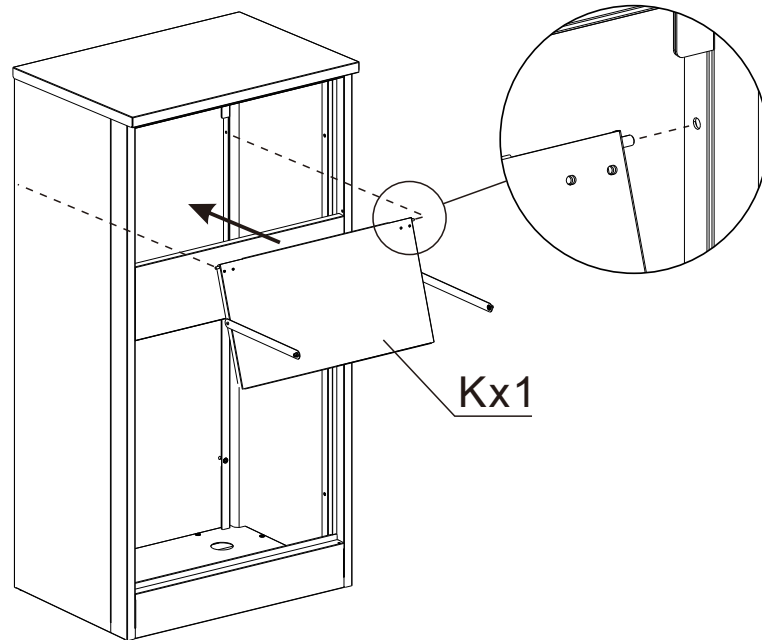
STEP 8



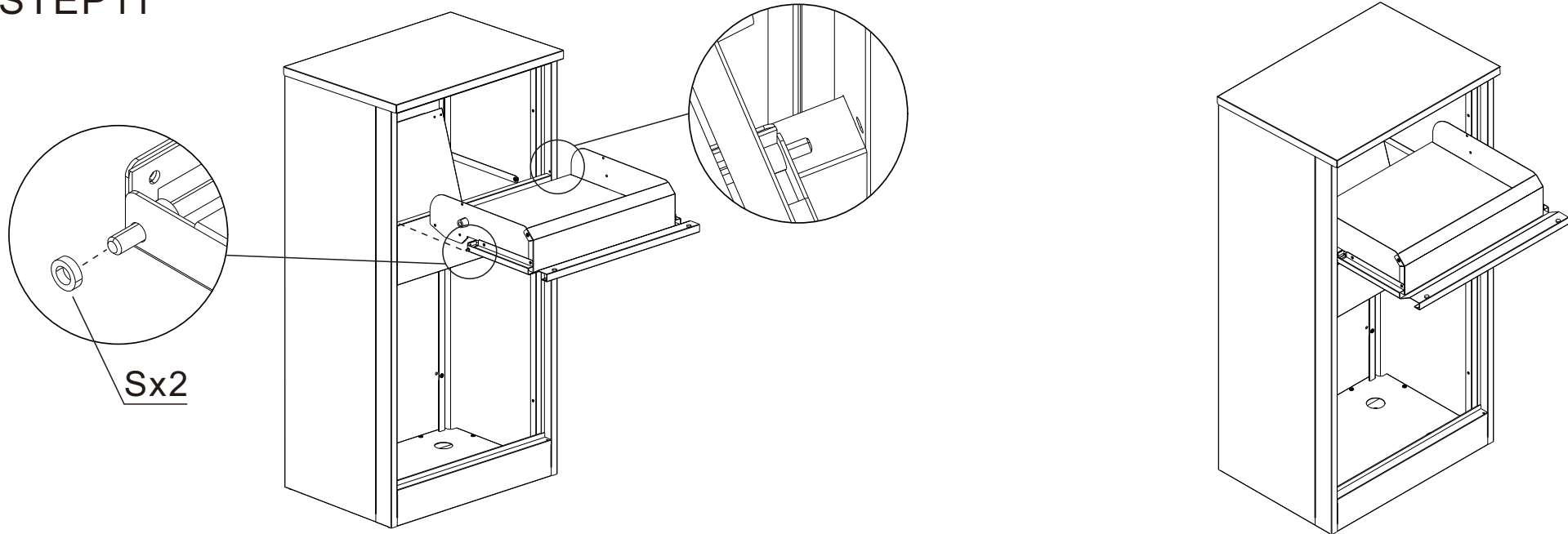
STEP9



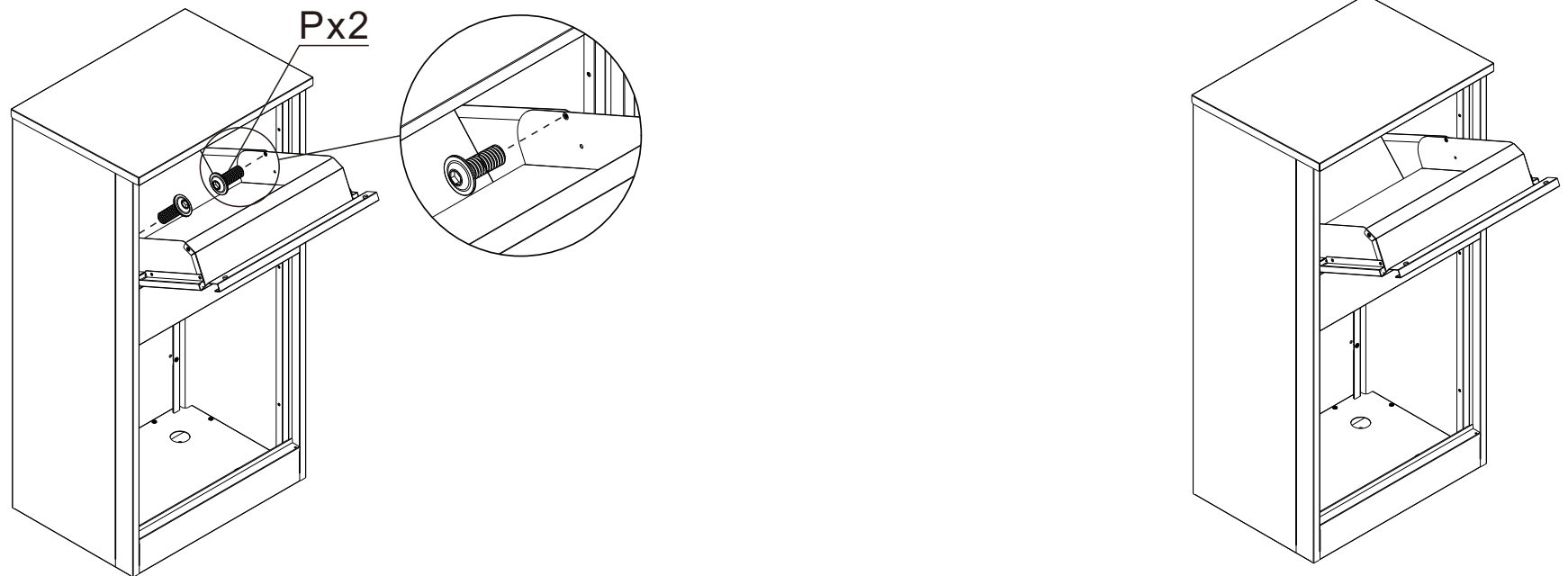
STEP10



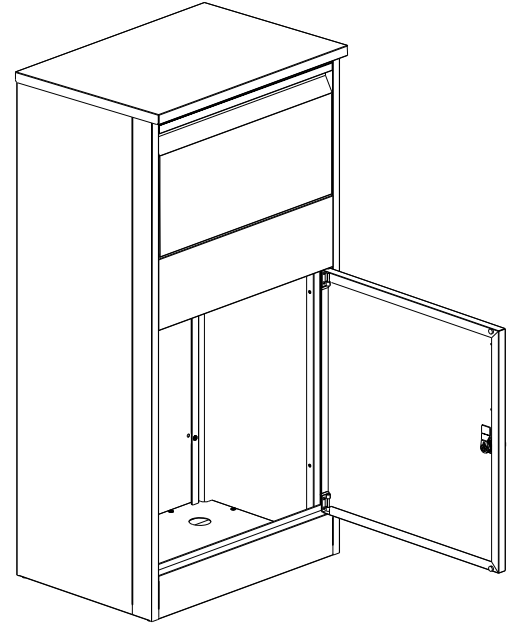
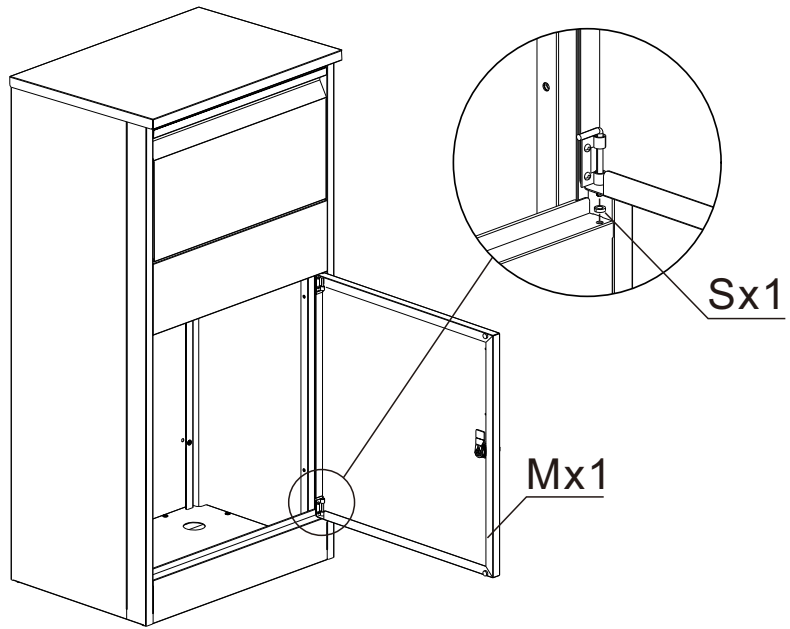
STEP 11



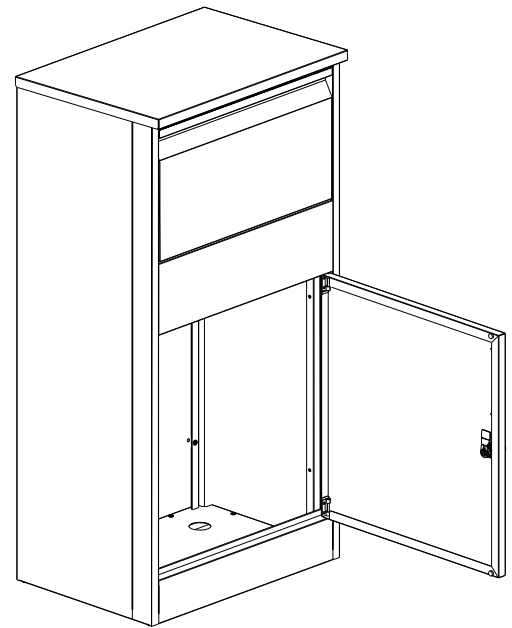
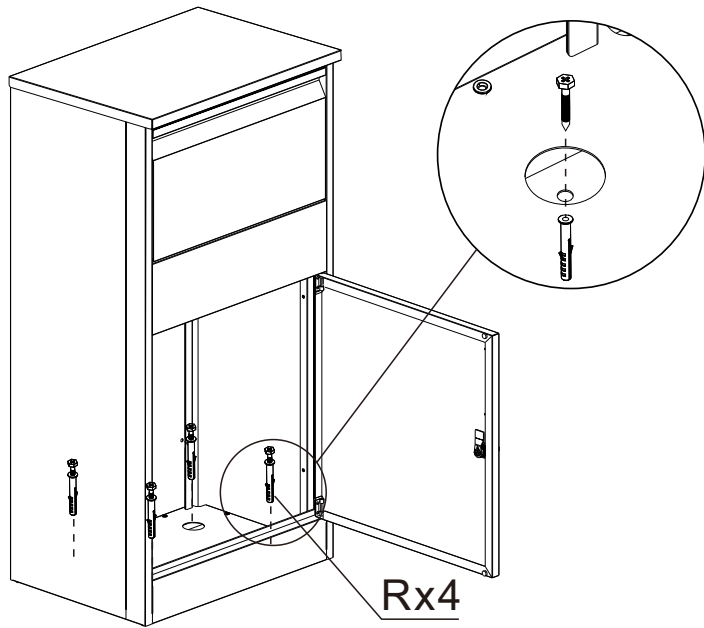
STEP 12



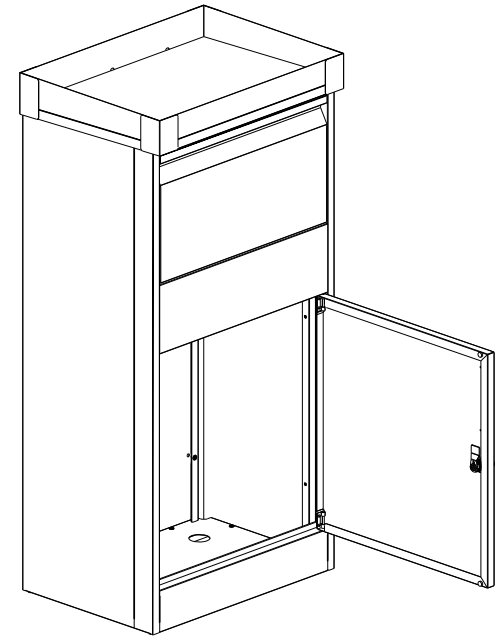
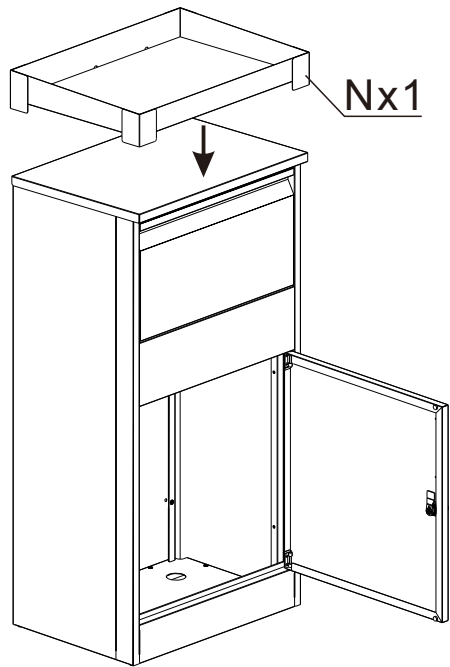
STEP 13



STEP 14



STEP 15



STEP 16

