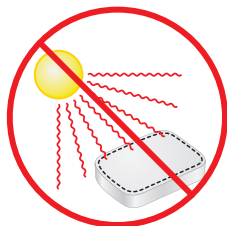


# NETGEAR®

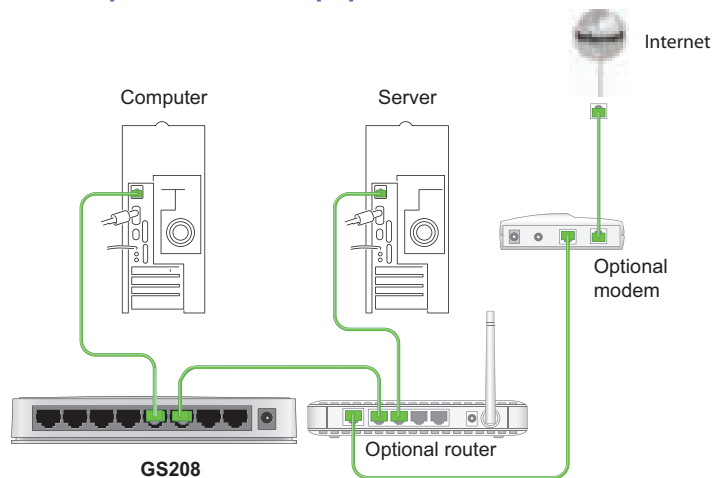
Installation Guide  
Connect with Innovation™

## 5-Port and 8-Port Gigabit Switches GS205/GS208

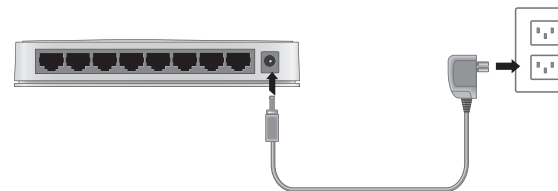
### Step 1. Position switch



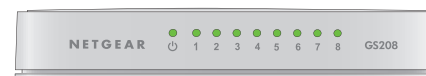
### Step 2. Connect equipment



### Step 3. Connect power



### Step 4. Check status



#### Power LED

- On
- Off

#### Port LEDs

- Ethernet link
- Activity (blinking)
- No link (off)

| Specifications             | Description  |
|----------------------------|--|
| Network interface          | RJ-45 connector for 10BASE-T, 100BASE-TX, or 1000BASE-T  |
| Network cable              | Category 5 (Cat 5) or better Ethernet cable  |
| Ports                      | GS305: 5<br>GS308: 8   |
| Power adapter              | 12W max. and 12V @ 1.0A DC input   |
| Power consumption          | GS205: 3.56W<br>GS208: 3.64W   |
| Weight                     | GS205: 122g (0.269 lbs)<br>GS208: 192g (0.425 lbs)   |
| Dimensions<br>(W x D x H)  | GS205: 114 x 86 x 26 mm<br>(4.49 in. x 3.39 in. x 1.02 in.)<br>GS208: 152 x 93 x 26 mm<br>(5.98 in. x 3.66 in. x 1.02 in.) |
| Operating temperature      | 0°–40° C (32°–104° F)  |
| Operating humidity         | 90% maximum relative humidity, noncondensing   |
| Electromagnetic compliance | CE Class B   |
| Safety agency approvals    | CE mark, CB  |



October 2012

For the complete EU Declaration of Conformity, visit  
[http://support.netgear.com/app/answers/detail/a\\_id/11621/](http://support.netgear.com/app/answers/detail/a_id/11621/).

**Statement of Conditions:** In the interest of improving internal design, operational function, and/or reliability, NETGEAR reserves the right to make changes to the products described in this document without notice. NETGEAR does not assume any liability that may occur due to the use or application of the product(s) or circuit layout(s) described herein.

## Technical Support

After installing your device, locate the serial number on the label of your product and use it to register your product at <https://my.netgear.com>.

You must register your product before you can use NETGEAR telephone support. NETGEAR recommends registering your product through the NETGEAR web site. For product updates and web support, visit <http://support.netgear.com>.



This symbol appears in accordance with the European Union Directive 2002/96 on the Waste Electrical and Electronic Equipment (the WEEE directive). If you dispose of this product in the European Union, treat and recycle it in accordance with your jurisdiction's laws that implement the WEEE directive.

NETGEAR, the NETGEAR logo, and Connect with Innovation are trademarks and/or registered trademarks of NETGEAR, Inc. and/or its subsidiaries in the United States and/or other countries. Information is subject to change without notice. Other brand and product names are registered trademarks or trademarks of their respective holders. © NETGEAR, Inc. All rights reserved.