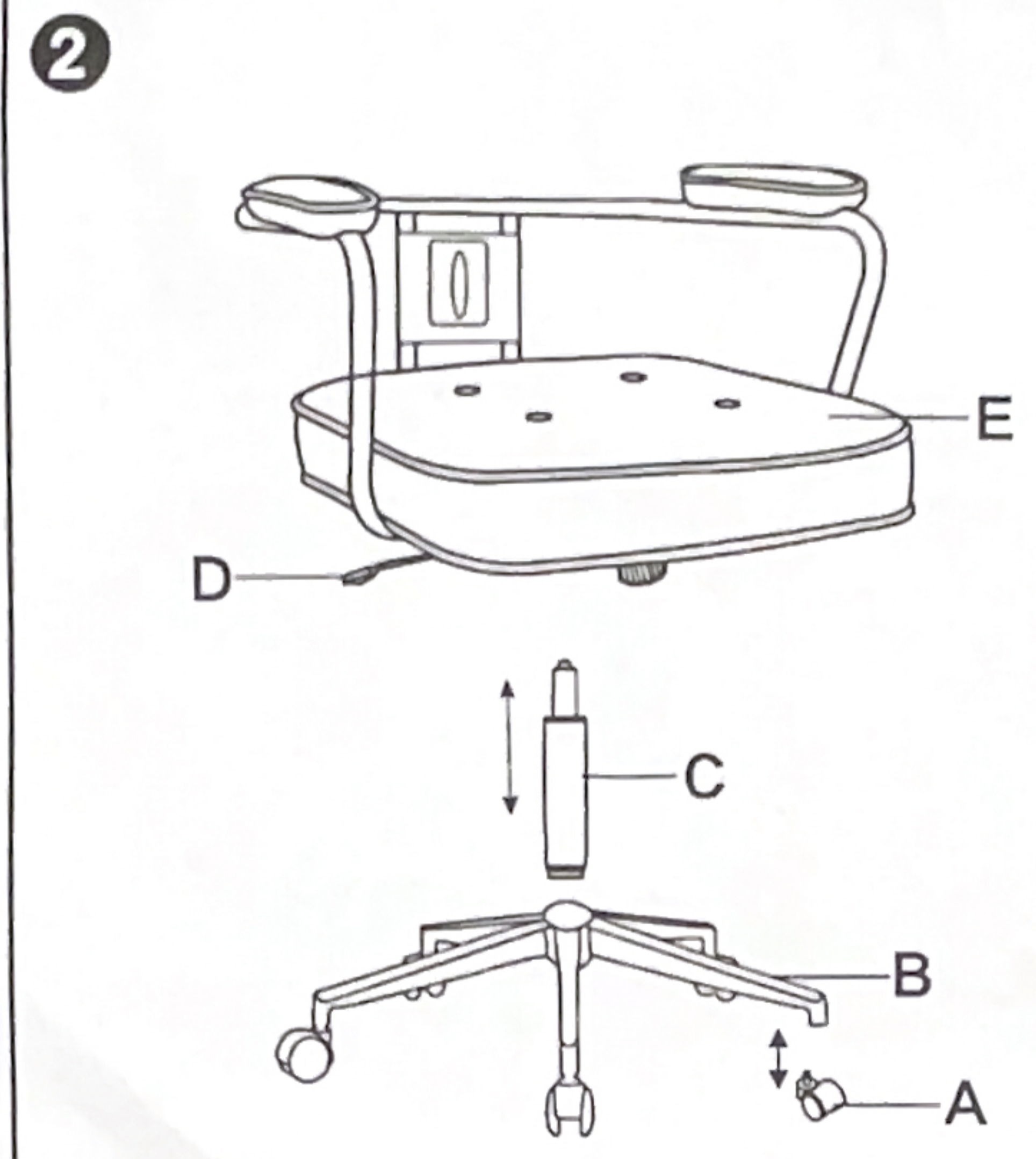
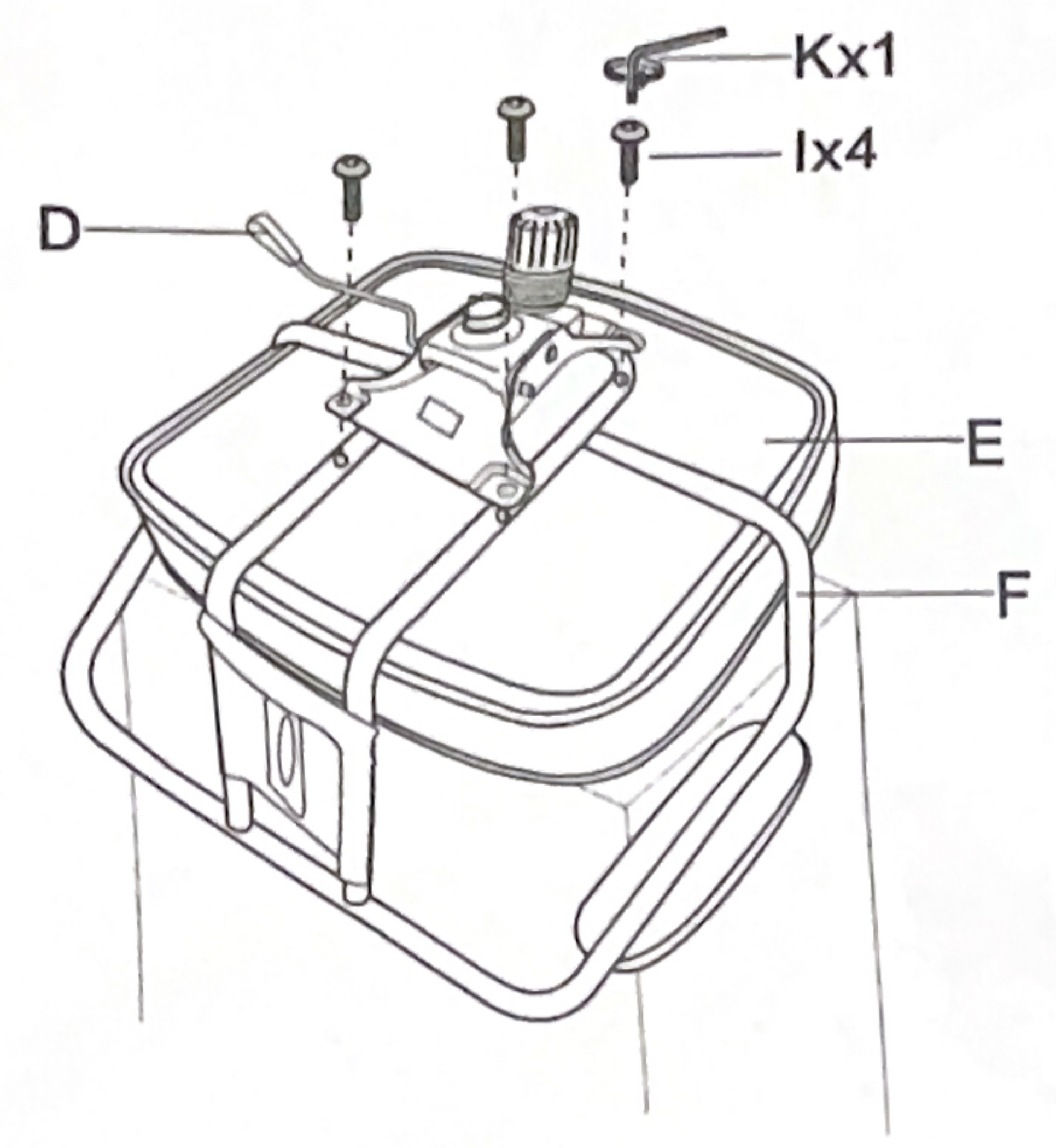


W-221



Ax5		Bx1	
Cx1		Dx1	
Ex1		Fx1	
Gx1		Hx1	


Ix4 (M6*40)


Kx1 (M5)